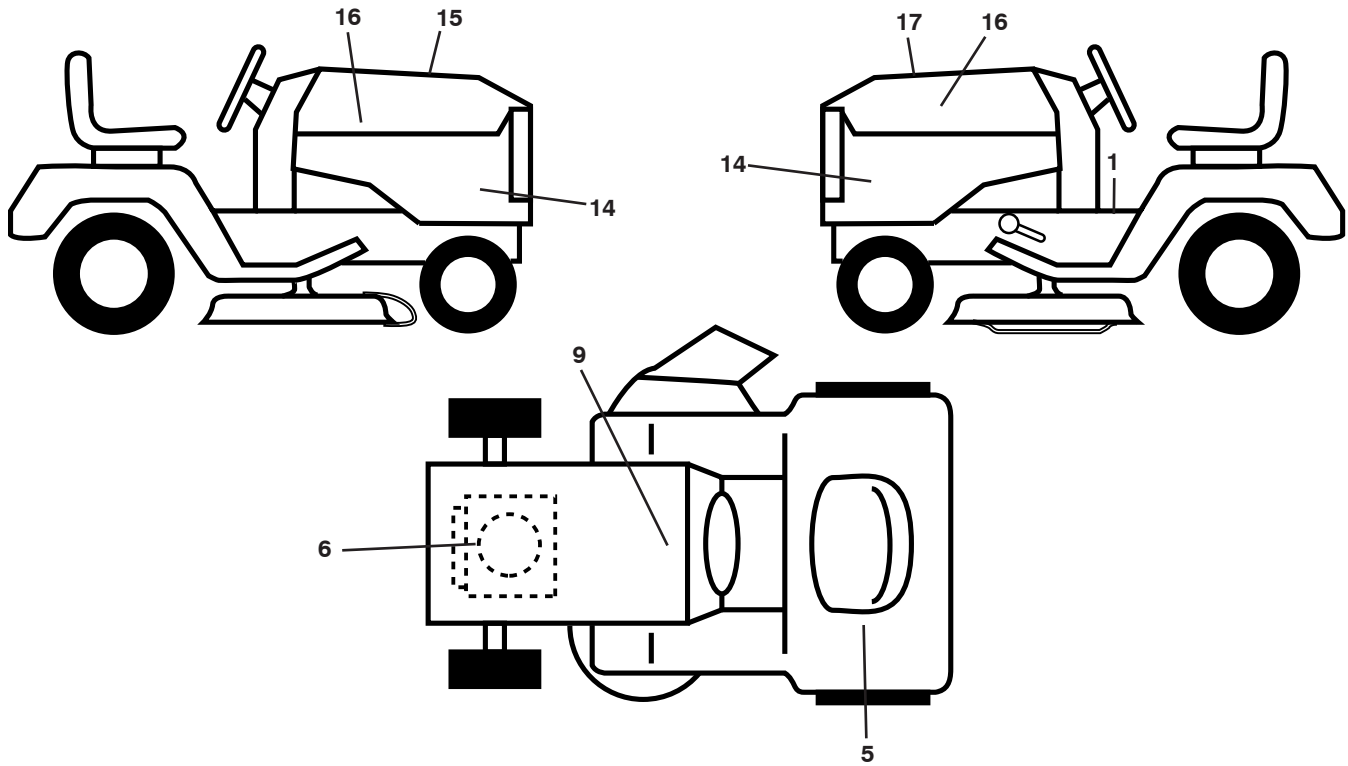


GTH27V48LS

ILLUSTRATED PARTS LIST

Gasoline containing up to 10% ethanol (E10) is acceptable for use in this machine. The use of any gasoline exceeding 10% ethanol (E10) will void the product warranty.

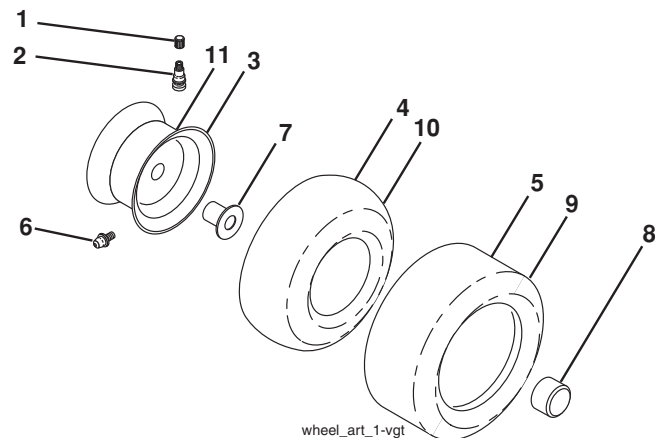
**TRACTOR - MODEL NO. GTH27V48LS (96043011701), PRODUCT NO. 960 43 01-17
DECALS**



| KEY NO. | PART NO. | DESCRIPTION |
|---------|--------------|-------------------------|
| 1 | 532 41 16-57 | Decal, Operator's |
| 5 | 532 42 62-09 | Decal, Warning Reserve |
| 6 | 532 43 29-18 | Decal, Eng. H.P. |
| 9 | 532 14 50-05 | Decal, Battery Dnge/Poi |
| 14 | 532 43 95-84 | Decal, Panel Side |
| 15 | 532 42 38-29 | Decal, Cust. Resp. |
| 16 | 532 42 91-96 | Decal, Hood Logo |

| KEY NO. | PART NO. | DESCRIPTION |
|---------|--------------|---------------------------|
| 17 | 532 43 84-75 | Decal, Replacement |
| -- | 532 16 69-60 | Decal, Bypass |
| -- | 532 43 98-82 | Pad, Footrest, LH |
| -- | 532 43 98-81 | Pad, Footrest, RH |
| -- | 532 44 16-27 | Manual, Owner's (English) |
| -- | 532 44 16-29 | Manual, Owner's (Spanish) |

WHEELS AND TIRES

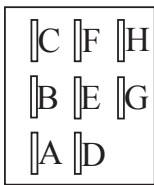
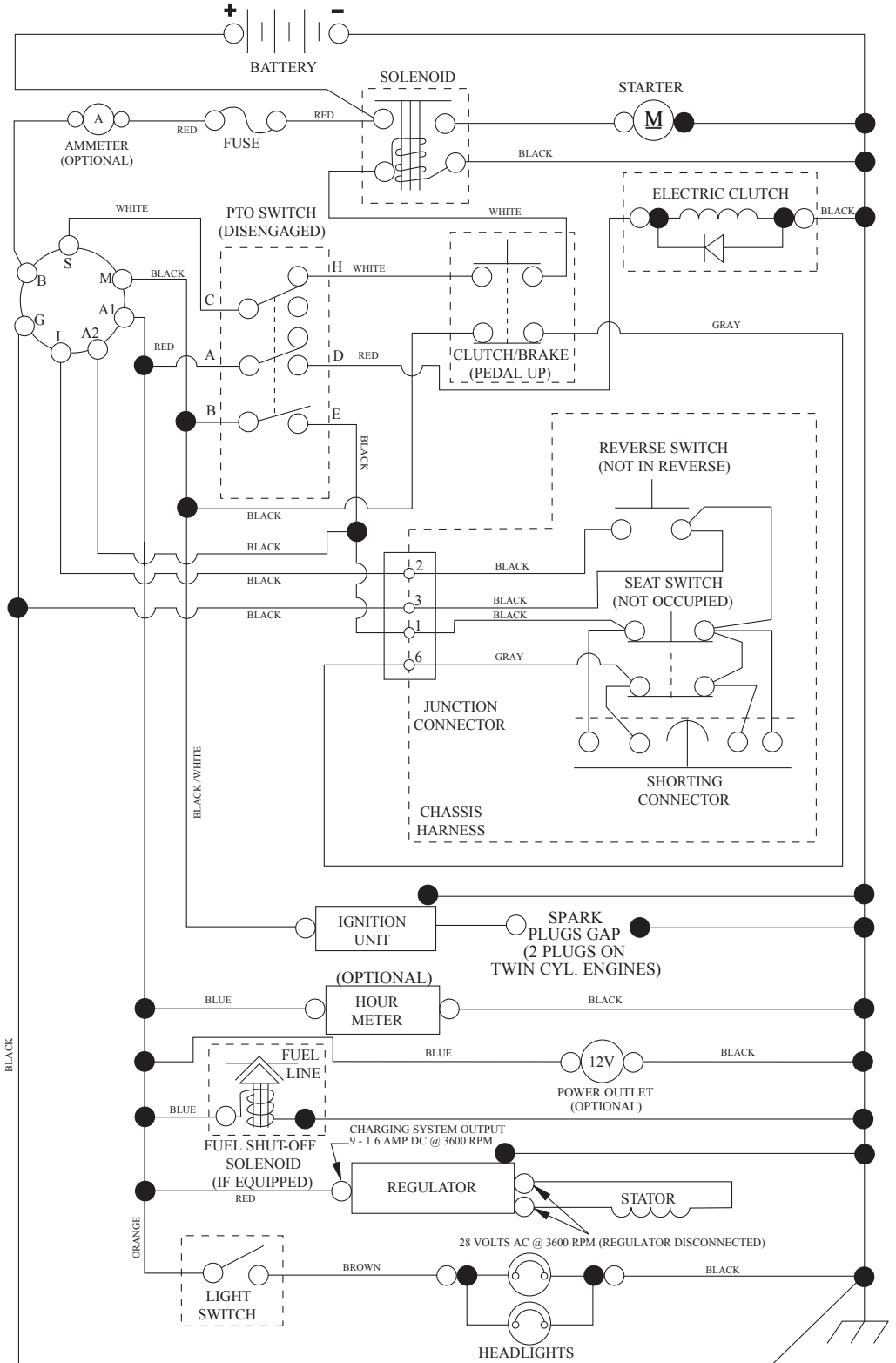


| KEY NO. | PART NO. | DESCRIPTION |
|---------|--------------|------------------------------------|
| 1 | 532 05 91-92 | Cap, Valve, Tire |
| 2 | 532 06 51-39 | Stem, Valve |
| 3 | 532 18 18-39 | Rim Assembly, Front |
| 4 | 532 00 81-34 | Tube, Front (Service Item Only) |
| 5 | 532 16 10-24 | Tire, Front |
| 6 | 532 12 49-57 | Fitting, Grease (Front Wheel Only) |
| 7 | 532 12 49-59 | Bearing, Flange (Front Wheel Only) |
| 8 | 532 17 50-39 | Cap, Axle |
| 9 | 532 17 04-53 | Tire, Rear |
| 10 | 532 00 71-54 | Tube, Rear (Service Item Only) |
| 11 | 532 14 45-10 | Rim Assembly, Rear |
| -- | 532 14 43-34 | Sealant, Tire (10 oz. Tube) |

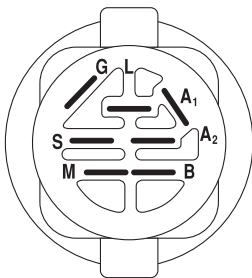
NOTE: All component dimensions given in U.S. inches
1 inch = 25.4 mm

TRACTOR - MODEL NO. GTH27V48LS (96043011701), PRODUCT NO. 960 43 01-17 SCHEMATIC

SCH12

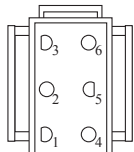


PTO SWITCH
(MATING SIDE)

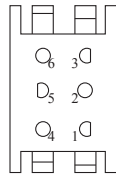


IGNITION SWITCH

| POSITION | CIRCUIT | "MAKE" |
|--------------|------------|--------|
| OFF | M+G+A1 | |
| RUN/OVERRIDE | B+A1 | |
| RUN | B+A1 | L+A2 |
| START | B + S + A1 | |



CHASSIS HARNESS
CONNECTOR
(MATING SIDE)



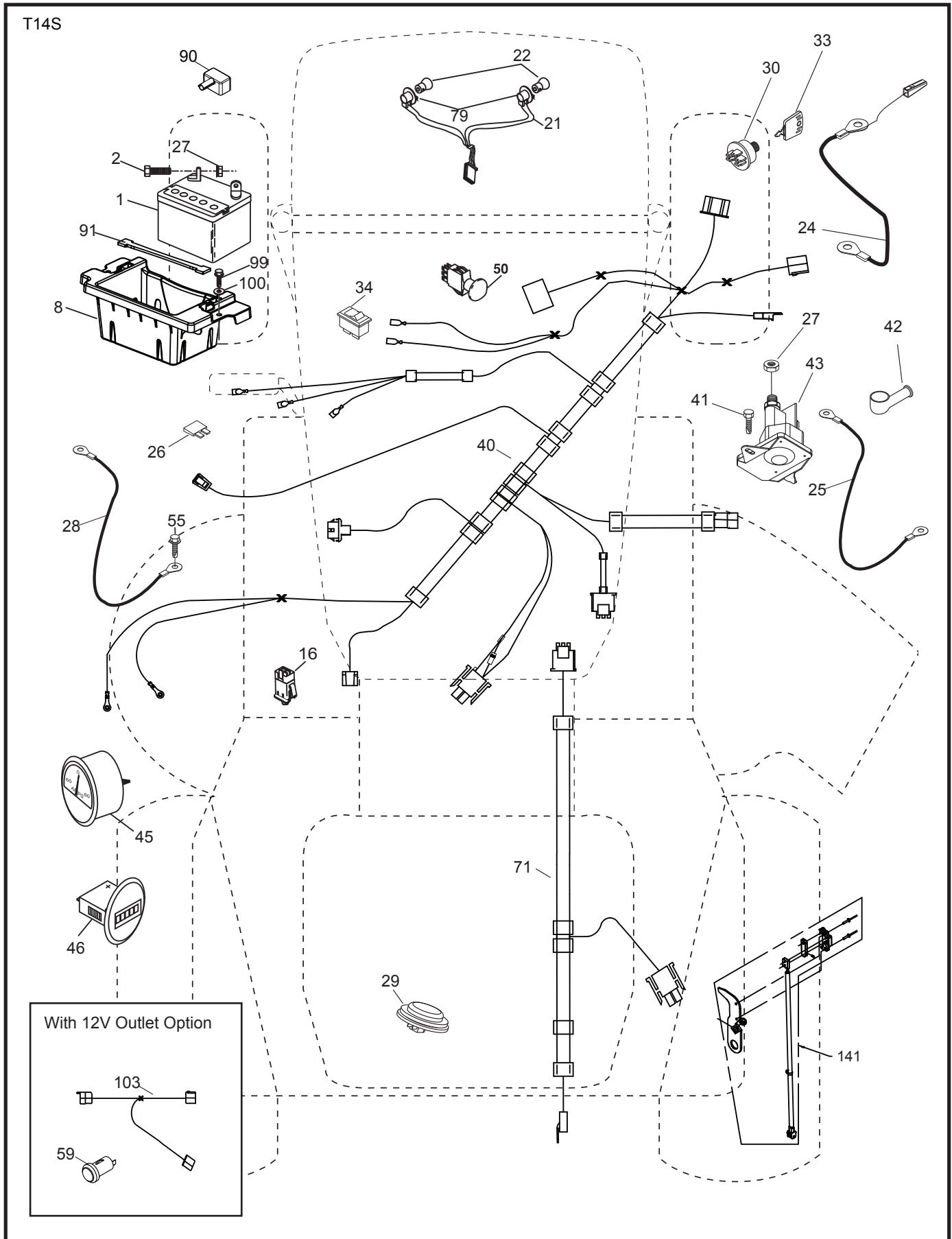
DASH HARNESS
CONNECTOR

WIRING INSULATED CLIPS
NOTE: IF WIRING INSULATED
CLIPS WERE REMOVED FOR
SERVICING OF UNIT, THEY
SHOULD BE RE-INSTALLED TO
PROPERLY SECURE YOUR
WIRING.

●
NON-REMOVABLE
CONNECTIONS

○
REMOVABLE
CONNECTIONS

**TRACTOR - MODEL NO. GTH27V48LS (96043011701), PRODUCT NO. 960 43 01-17
ELECTRICAL**

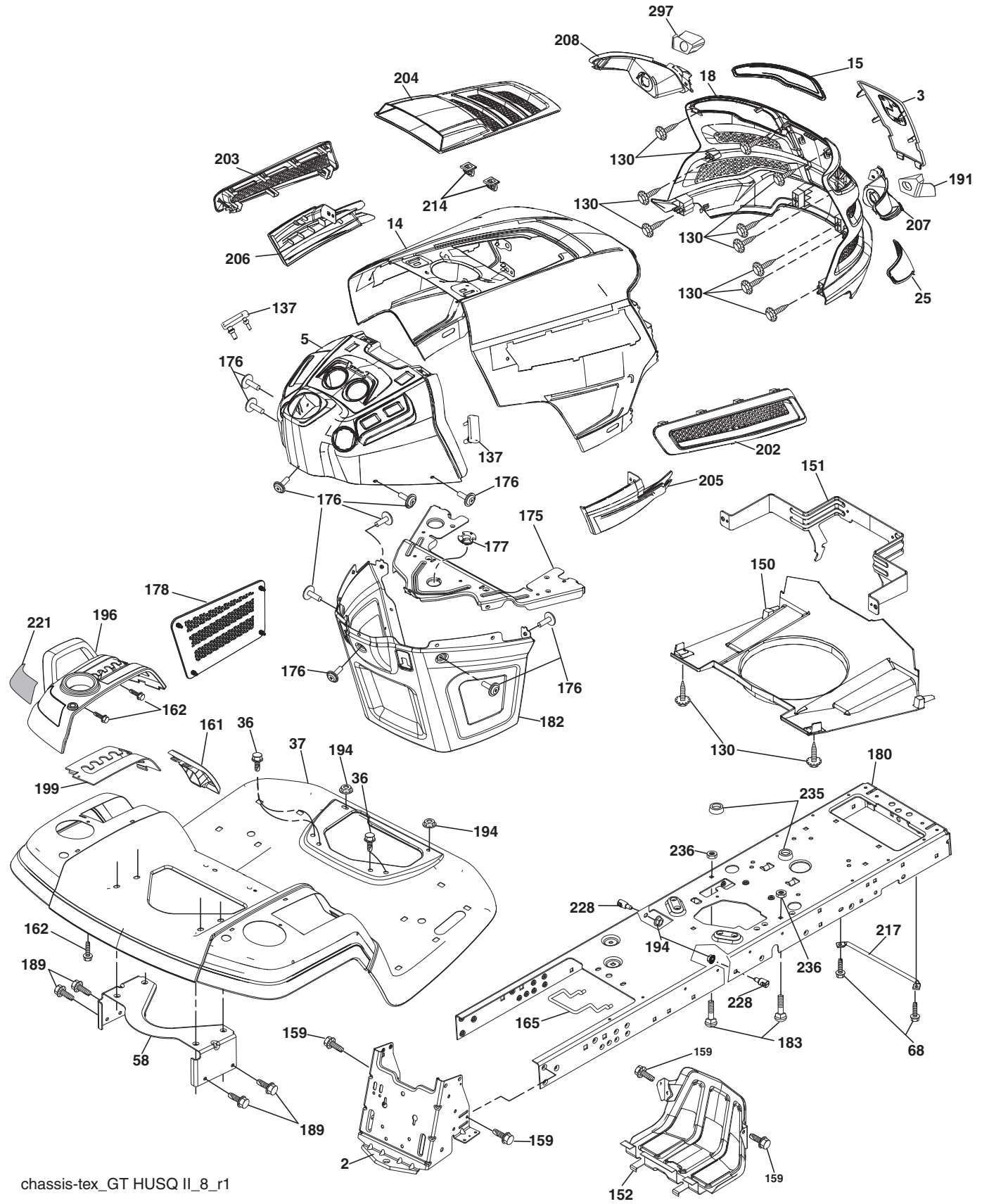


**TRACTOR - MODEL NO. GTH27V48LS (96043011701), PRODUCT NO. 960 43 01-17
ELECTRICAL**

| KEY NO. | PART NO. | DESCRIPTION |
|----------------|-----------------|----------------------------------|
| 1 | 532 16 34-65 | Battery |
| 2 | 874 76 04-12 | Bolt Hex Hd 1/4-20 unc x 3/4 |
| 8 | 532 18 64-91 | Battery Box |
| 16 | 532 17 61-38 | Switch Interlock |
| 21 | 532 40 02-52 | Harness Socket Light |
| 22 | 532 00 41-52 | Bulb, Light #1156 |
| 24 | 532 40 02-53 | Cable Battery |
| 25 | 532 41 28-95 | Cable Starter |
| 26 | 532 17 51-58 | Fuse |
| 27 | 873 51 04-00 | Nut Keps Hex 1/4-20 unc |
| 28 | 532 14 54-91 | Cable Ground 21" Blk 6 Ga. |
| 29 | 532 40 15-45 | Switch Seat |
| 30 | 532 19 33-50 | Switch Ign |
| 33 | 532 41 19-33 | Key/Chain |
| 34 | 532 11 07-12 | Switch Light/Reset |
| 40 | 532 42 90-83 | Harness Ign. Dash |
| 41 | 817 72 04-08 | Screw 1/4-20 unc x 1/2 |
| 42 | 532 13 15-63 | Cover Terminal Red |
| 43 | 532 19 25-07 | Solenoid |
| 45 | 532 42 52-70 | Ammeter Round |
| 46 | 532 42 52-71 | Gauge Hourmeter |
| 50 | 532 17 46-51 | Switch PTO |
| 55 | 817 06 05-12 | Screw Thdrol 5/16-18 x 3/4 |
| 59 | 532 40 03-03 | Outlet 12-Volt |
| 71 | 532 19 42-76 | Harness Ign |
| 79 | 532 17 52-42 | Socket Asm. Bulb Twistlock |
| 90 | 532 43 53-95 | Cover Terminal Battery |
| 91 | 532 19 02-70 | Strap Battery |
| 99 | 817 67 04-12 | Screw Hexwsh Thdrol 1/4-20 x 3/4 |
| 100 | 819 09 14-16 | Washer 9/32 x 7/8 x 16 Ga. |
| 103 | 532 42 17-47 | Harness Pigtail 12V Outlet |
| 141 | 532 42 12-25 | Kit G700/G730 ROS |

NOTE: All component dimensions given in U.S. inches
1 inch = 25.4 mm

**TRACTOR - MODEL NO. GTH27V48LS (96043011701), PRODUCT NO. 960 43 01-17
CHASSIS**



chassis-tex_GT HUSQ II_8_r1

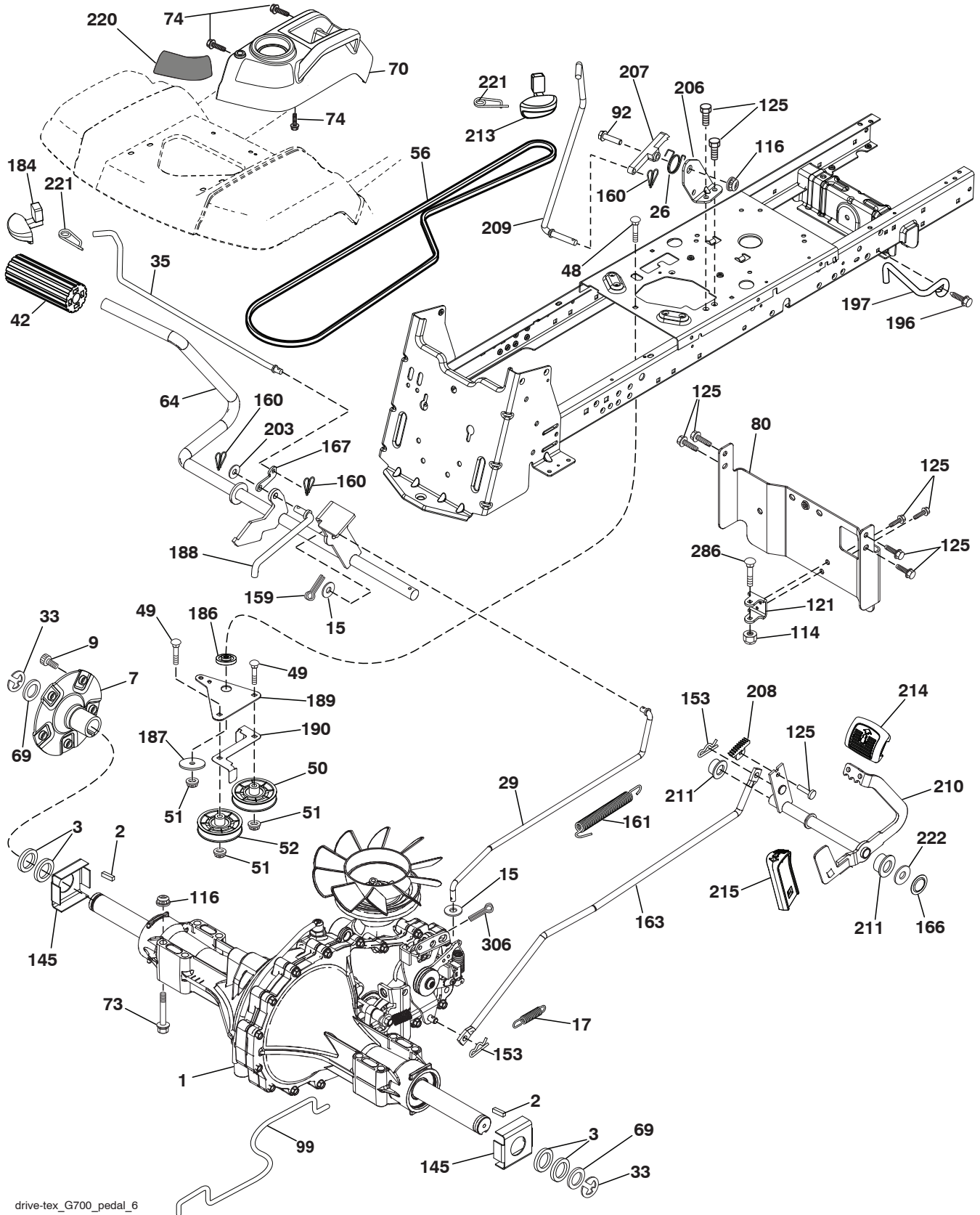
TRACTOR - MODEL NO. GTH27V48LS (96043011701), PRODUCT NO. 960 43 01-17 CHASSIS

| KEY NO. | PART NO. | DESCRIPTION |
|---------|--------------|-------------------------------|
| 2 | 532 19 42-61 | Drawbar |
| 3 | 532 43 97-52 | Applique |
| 5 | 532 43 74-77 | Dash |
| 14 | 532 44 11-77 | Hood |
| 15 | 532 43 97-33 | Lens LH |
| 18 | 532 43 77-62 | Grille Asm |
| 25 | 532 43 97-32 | Lens RH |
| 36 | 817 06 05-12 | Screw 5/16-18 x 3/4 |
| 37 | 532 40 18-25 | Fender |
| 58 | 532 19 43-14 | Bracket Fender |
| 68 | 817 49 05-08 | Screw 5/16-18 x 1/2 |
| 130 | 532 41 63-58 | Screw #10 x 0.750 BOS Thread |
| 137 | 532 40 75-90 | Bumper Dash |
| 150 | 532 43 97-74 | Duct Heat Hood |
| 151 | 532 43 66-70 | Pivot Bracket |
| 152 | 532 43 60-86 | Shield Browning/Debris |
| 159 | 817 00 06-12 | Screw 3/8-16 x 3/4 |
| 161 | 532 43 99-29 | Console Fuel Window |
| 162 | 532 14 24-32 | Screw Hex Wsh Hi-Lo 1/4 x 1/2 |
| 165 | 532 19 43-30 | Bracket Support Tank |
| 175 | 532 19 63-04 | Crossmember |
| 176 | 532 40 07-76 | Screw 10-24 x 5/8 Wshd Qdrx |
| 177 | 532 19 52-27 | Bushing Steering |
| 178 | 532 19 97-82 | Cargo Asm. Net |
| 180 | 532 19 42-60 | Chassis |
| 182 | 532 40 68-59 | Dash Lower |

| KEY NO. | PART NO. | DESCRIPTION |
|---------|--------------|-----------------------------|
| 183 | 874 52 05-20 | Bolt 5/16-18 x 1-1/4 |
| 189 | 817 00 05-12 | Screw 5/16-18 x 3/4 |
| 191 | 532 43 74-55 | Insert Reflective RH |
| 194 | 873 90 05-00 | Nut Lock Hex Flange 5/16-18 |
| 196 | 532 43 96-74 | Console Asm. Deck Lift |
| 199 | 532 19 82-59 | Plate Deck Lift |
| 202 | 532 43 97-28 | Vent Side Hood RH |
| 203 | 532 43 97-27 | Vent Side Hood LH |
| 204 | 532 43 57-14 | Vent Asm Hood Top |
| 205 | 532 43 97-30 | Skirt Hood Side RH |
| 206 | 532 43 97-29 | Skirt Hood Side LH |
| 207 | 532 43 97-34 | Bezel RH |
| 208 | 532 43 97-35 | Bezel LH |
| 214 | 532 19 91-45 | Clip Retainer |
| 217 | 532 40 91-67 | Rod Pivot |
| 221 | 532 19 89-09 | Reflector LH |
| 228 | 532 19 51-61 | Stud Fastener |
| 235 | 532 40 61-29 | Spacer Fender |
| 236 | 873 93 05-00 | Nut Center Lock 5/16-18 unc |
| 297 | 532 43 74-56 | Insert Reflective LH |
| -- | 532 43 96-55 | Kit Gaurd Brush |

NOTE: All component dimensions given in U.S. inches
1 inch = 25.4 mm

**TRACTOR - MODEL NO. GTH27V48LS (96043011701), PRODUCT NO. 960 43 01-17
DRIVE**



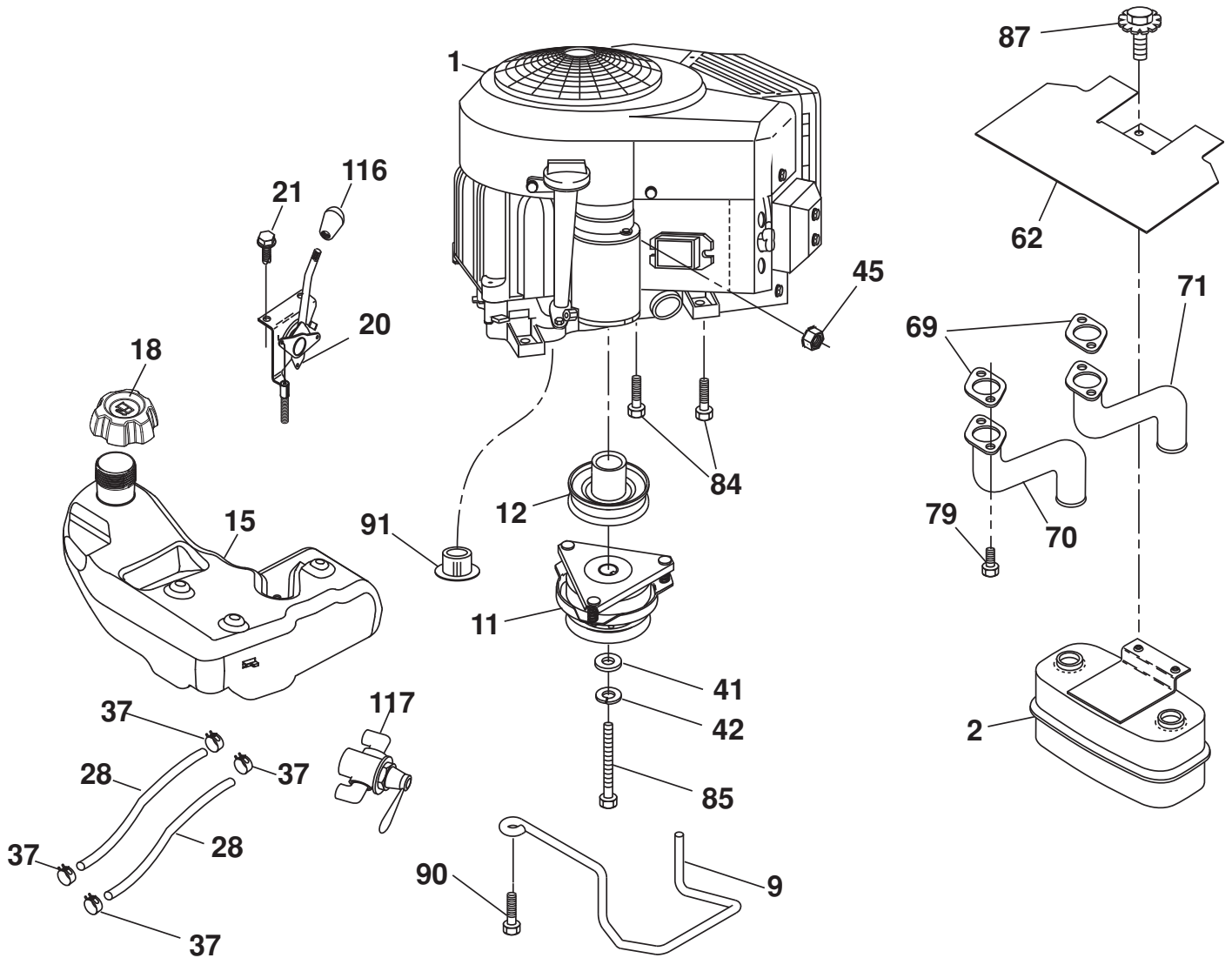
drive-tex_G700_pedal_6

TRACTOR - MODEL NO. GTH27V48LS (96043011701), PRODUCT NO. 960 43 01-17 DRIVE

| KEY NO. | PART NO. | DESCRIPTION | KEY NO. | PART NO. | DESCRIPTION |
|---------|--------------|---------------------------------------|---------|--------------|-------------------------------|
| 1 | ----- | Transaxle, Hydro G7-BCBB-1XDC-1FCA | 160 | 532 16 94-84 | Retainer Clip |
| 2 | 532 00 70-70 | Key 1/4 x 2.5 | 161 | 532 10 57-09 | Spring, Return, Clutch |
| 3 | 532 00 75-63 | Washer Thrust Axle Hardened | 163 | 532 41 81-85 | Rod Pedal Control |
| 7 | 532 19 98-37 | Hub Asm. Wheel | 166 | 532 42 91-64 | Nut Push .625 |
| 9 | 532 14 00-80 | Bolt Hub Wheel | 167 | 532 40 52-57 | Latch Brake Parking |
| 15 | 819 13 13-16 | Washer 13/32 x 13/16 x 16 Ga. | 184 | 532 40 31-18 | Handle Parking Brake |
| 17 | 532 19 72-96 | Spring, Brake | 186 | 532 19 43-21 | Spacer Retainer |
| 26 | 532 19 96-79 | Spring Return Cruise | 187 | 819 13 32-10 | Washer |
| 29 | 532 41 81-86 | Rod, Brake | 188 | 532 19 43-23 | Link Clutch Ground Drive |
| 33 | 812 00 00-53 | Ring E | 189 | 532 40 75-04 | Bellcrank Ground Drive |
| 35 | 532 43 54-86 | Rod, Brake, Park | 190 | 532 40 75-05 | Keeper Bellcrank Ground Drive |
| 42 | 532 12 48-72 | Cover, Foot Pedal | 196 | 817 00 06-16 | Screw 3/8-16 x 1 |
| 48 | 872 11 06-12 | Bolt Carr Sh 3/8-16 x 1-1/2 Gr.5 | 197 | 532 19 97-69 | Bracket Clutch Anti-Rotation |
| 49 | 872 11 06-14 | Bolt | 203 | 819 11 11-16 | Washer 11/32 x 11/16 x 16 Ga. |
| 50 | 532 19 43-27 | Pulley Idler Flat | 206 | 532 19 78-67 | Bracket Mount Latch Cruise |
| 51 | 873 90 06-00 | Lock Nut 3/8-16 | 207 | 532 19 78-68 | Latch Control Cruise |
| 52 | 532 19 43-26 | Idler V-Groove 910" Offset | 208 | 532 19 78-69 | Gear Sector Control Cruise |
| 56 | 532 42 08-07 | V-Belt, Drive | 209 | 532 19 95-92 | Rod Control Cruise |
| 64 | 532 19 78-65 | Shaft Asm. Pedal Brake Control | 210 | 532 19 78-60 | Rocker Asm. Pedal Control |
| 69 | 532 12 38-00 | Washer 1-1/32 x 1-5/8 x 16 Ga. | 211 | 532 12 01-83 | Bearing Nylon |
| 70 | 532 43 96-61 | Console Asm | 213 | 532 40 31-19 | Knob Control Cruise |
| 73 | 874 49 05-48 | Bolt Hex 5/16-18 x 3 Gr. 5 | 214 | 532 41 68-63 | Pedal Forward |
| 74 | 532 14 24-32 | Screw 1/4 x 1/2 | 215 | 532 40 17-23 | Pedal Reverse |
| 80 | 532 41 81-84 | Strap Torque | 220 | 532 19 89-08 | Reflector RH |
| 92 | 874 76 05-20 | Bolt 5/16-18 x 1/2 | 221 | 532 40 31-87 | Retainer Spring Clip Handle |
| 99 | 532 41 81-88 | Spring Bypass | 222 | 879 21 20-10 | Washer 21/32 x 1-1/4 x 10 Ga. |
| 114 | 873 80 05-00 | Nut Lock Hex W/Ins. 5/16-18 unc | 286 | 872 01 05-20 | Bolt 5/16-18 x 2.50 |
| 116 | 873 90 05-00 | Nut Lock Hex Flange 5/16-18 | 306 | 876 02 04-16 | Pin Cotter 1/8 x 1 |
| 121 | 532 17 56-11 | Bracket Strap Torque | | | |
| 125 | 817 00 05-12 | Screw 5/16-18 x 3/4 | | | |
| 145 | 532 16 31-68 | Washer Axle Flange | | | |
| 153 | 532 12 47-88 | Retainer Spring | | | |
| 159 | 876 02 04-12 | Pin Cotter 1/8 x 3/4 | | | |

NOTE: All component dimensions given in U.S. inches
1 inch = 25.4 mm

**TRACTOR - MODEL NO. GTH27V48LS (96043011701), PRODUCT NO. 960 43 01-17
ENGINE**



SPARK ARRESTER KIT

engine-tex_bs-2cyl_26

TRACTOR - MODEL NO. GTH27V48LS (96043011701), PRODUCT NO. 960 43 01-17 ENGINE

| KEY NO. | PART NO. | DESCRIPTION |
|---------|--------------|--|
| 1 | ----- | Engine B&S Model No. 44Q777-2406-G1 |
| 2 | 532 14 97-23 | Muffler |
| 9 | 532 40 86-67 | Keeper Asm. Belt Engine |
| 11 | 532 17 93-35 | Clutch Electric |
| 12 | 532 19 43-43 | Pulley Engine |
| 15 | 532 43 80-82 | Tank Fuel 4R |
| 18 | 532 43 92 08 | Cap Asm |
| 20 | 532 42 43-40 | Control Throttle |
| 21 | 532 41 63-58 | Screw #10 x 0.750 BOS Thread |
| 28 | 532 40 11-35 | Fuel Line |
| 29 | 532 13 71-80 | Spark Arrester Kit |
| 37 | 532 12 34-87 | Clamp Hose |
| 41 | 532 12 61-97 | Washer 1-1/2 OD x 15/32 ID x .250 |
| 42 | 810 04 07-00 | Washer Lock 7/16 |
| 45 | 873 51 04-00 | Nut Keps Hex 1/4-20 unc |
| 62 | 532 43 40-17 | Shield Heat Muffler |
| 69 | 532 16 53-91 | Gasket |
| 70 | 532 15 99-55 | Tube Exhaust LH |
| 71 | 532 16 05-89 | Tube Exhaust RH |
| 79 | 532 18 39-06 | Screw Socket HD 5/16-18 x 1 |
| 84 | 817 06 06-20 | Screw 3/8-16 x 1-1/4 |
| 85 | 532 17 99-53 | Bolt 7/16-20 x 3.75 Gr. 5 |
| 87 | 532 19 82-39 | Bolt 5/16-18 unc x 1 w/Sems |
| 90 | 817 00 06-16 | Screw 3/8-16 x 1 |
| 91 | 532 18 74-95 | Bushing |
| 116 | 539 13 26-24 | Knob Soft Touch |
| 117 | 532 42 08-28 | Valve Fuel Reserve |

NOTE: All component dimensions given in U.S. inches
1 inch = 25.4 mm

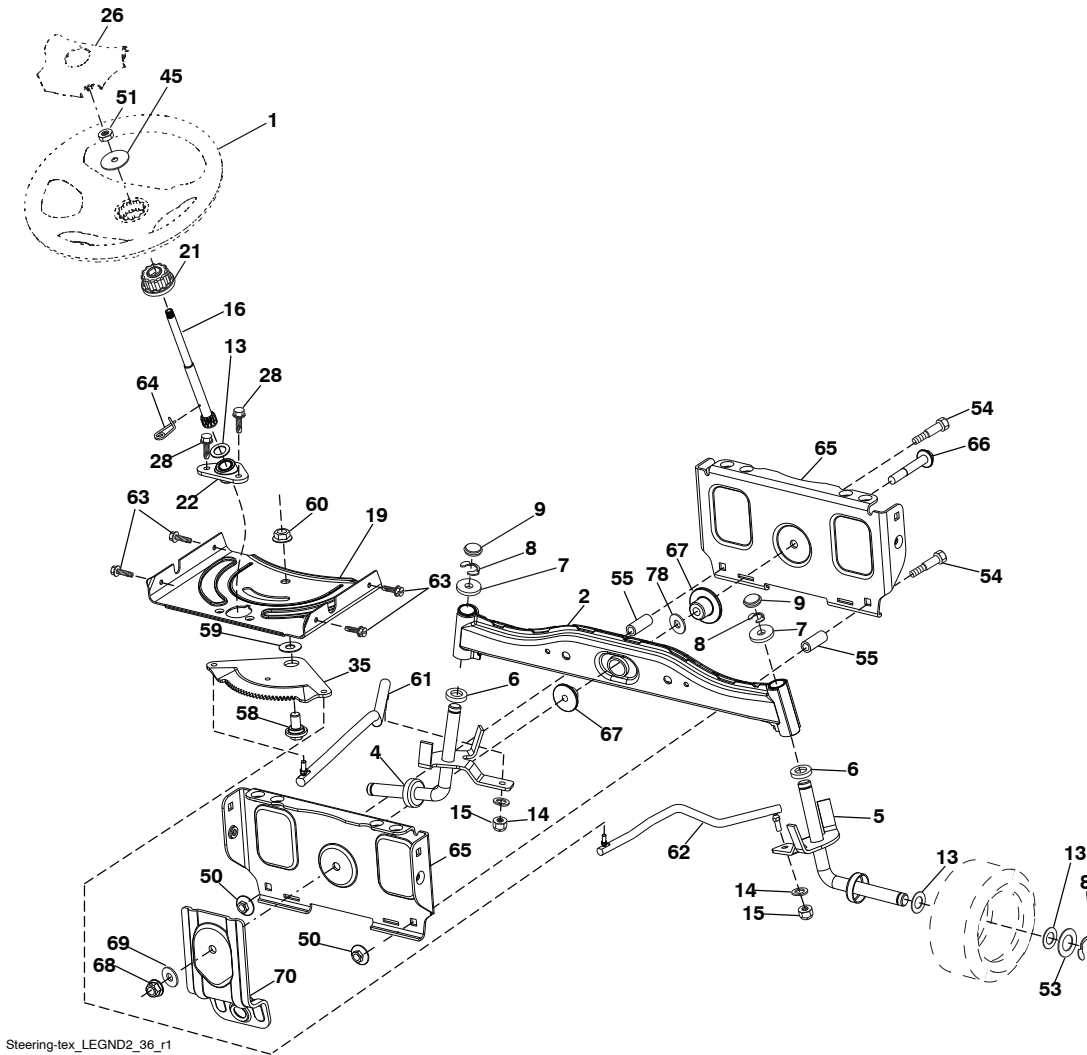
For engine service and replacement parts, call the toll free number for your engine manufacturer listed below:

Briggs & Stratton 1-800-233-3723

Engine Power Rating Information

The gross power rating for individual gas engine models is labeled in accordance with SAE (Society of Automotive Engineers) code J1940 (Small Engine Power & Torque Rating Procedure), and rating performance has been obtained and corrected in accordance with SAE J1995 (Revision 2002-05). Torque values are derived at 3060 RPM; horsepower values are derived at 3600 RPM. Actual gross engine power will be lower and is affected by, among other things, ambient operating conditions and engine-to-engine variability. Given both the wide array of products on which engines are placed and the variety of environmental issues applicable to operating the equipment, the gas engine will not develop the rated gross power when used in a given piece of power equipment (actual "on-site" or net power). This difference is due to a variety of factors including, but not limited to, accessories (air cleaner, exhaust, charging, cooling, carburetor, fuel pump, etc.), application limitations, ambient operating conditions (temperature, humidity, altitude), and engine-to-engine variability. Due to manufacturing and capacity limitations, Briggs & Stratton may substitute an engine of higher rated power for this Series engine.

TRACTOR - MODEL NO. GTH27V48LS (96043011701), PRODUCT NO. 960 43 01-17
STEERING ASSEMBLY

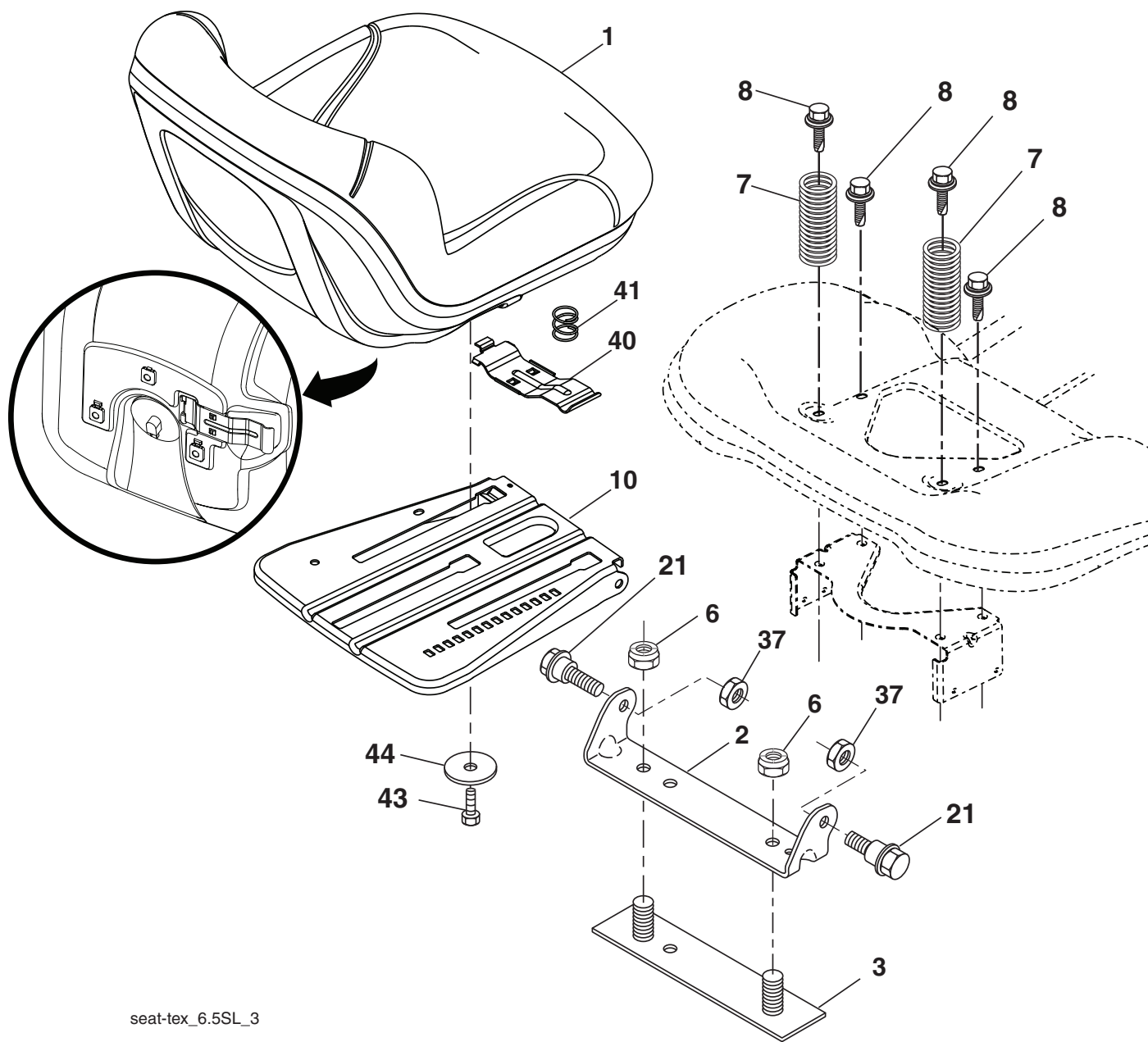


Steering-tex_LEGND2_36_r1

| KEY NO. | PART NO. | DESCRIPTION | KEY NO. | PART NO. | DESCRIPTION |
|---------|--------------|--------------------------------|---------|--------------|---------------------------------|
| 1 | 532 43 97-40 | Wheel, Steering | 53 | 532 18 89-67 | Washer Hardened .793x1.637x.060 |
| 2 | 532 19 59-68 | Axle Asm., Front | 54 | 874 76 06-36 | Bolt Hex 3/8-16 unc x 2-1/4 |
| 4 | 532 40 30-89 | Spindle Asm. LH | 55 | 532 41 47-36 | Bolt Hex 3/8-16 unc x 2-1/4 |
| 5 | 532 40 30-90 | Spindle Asm. RH | 58 | 532 19 47-47 | Bolt Shoulder Sector Pivot CFM |
| 6 | 532 12 49-31 | Bearing, Race Thrust Harden | 59 | 532 19 47-48 | Washer Thrust Sector Steering |
| 7 | 532 12 17-48 | Washer 25/32 x 1-5/8 x 16 Ga. | 60 | 873 97 10-00 | Nut Flange Lock 5/8-11 |
| 8 | 812 00 00-29 | Ring, Clip #T5304-75 | 61 | 532 19 47-40 | Draglink, LH |
| 9 | 532 12 12-32 | Cap, Spindle | 62 | 532 19 47-41 | Draglink, RH |
| 13 | 532 12 17-49 | Washer 25/32 x 1-1/4 x 16 Ga. | 63 | 817 00 05-12 | Screw 5/16-18 x 3/4 |
| 14 | 810 04 06-00 | Washer, Lock Hvy Hlcl Spr 3/8 | 64 | 532 19 98-49 | Retainer Clip Spring Steering |
| 15 | 873 54 06-00 | Nut, Crown Lock 3/8-24 unf | 65 | 532 19 47-34 | Brace Axle Front |
| 16 | 532 40 82-19 | Shaft Steering | 66 | 871 02 07-48 | Bolt Hex Fghd 7/16-14 x 3 Serr |
| 19 | 532 19 47-29 | Plate Steering | 67 | 532 19 47-37 | Bushing PM Front Axle |
| 21 | 532 18 67-37 | Adapter, Wheel Steering | 68 | 873 90 07-00 | Nut Lock Flange 7/16-14 Gr. 5 |
| 22 | 532 42 05-37 | Steering Support Lower | 69 | 532 19 91-62 | Washer 1.5 x .505 x .118 |
| 26 | 532 43 97-43 | Insert, Wheel Steering | 70 | 532 19 61-97 | Bracket Deck Susp. Front |
| 28 | 817 00 06-12 | Screw 3/8-16 x 3/4 | 78 | 532 05 70-79 | Washer Thrust |
| 35 | 532 19 47-32 | Gear, Sector Plate | | | |
| 45 | 819 18 38-12 | Washer 9/16 x 2-3/8 x 12 Ga. | | | |
| 50 | 873 90 06-00 | Nut Lock Flange 3/8-16 unc | | | |
| 51 | 873 94 08-00 | Nut Hex Jam Toplock 1/2-20 unf | | | |

NOTE: All component dimensions given in U.S. inches
 1 inch = 25.4 mm

TRACTOR - MODEL NO. GTH27V48LS (96043011701), PRODUCT NO. 960 43 01-17 SEAT ASSEMBLY



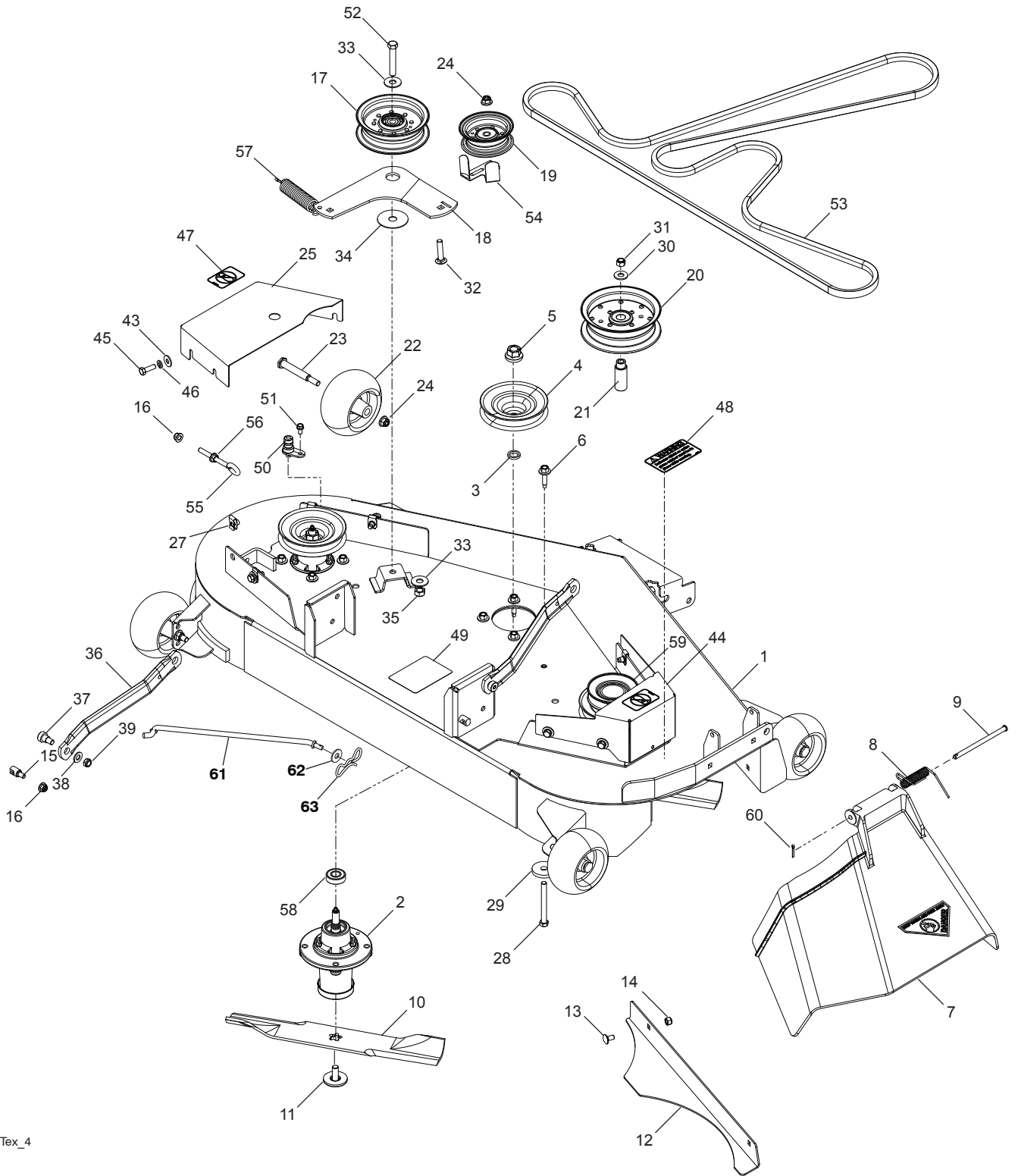
seat-tex_6.5SL_3

| KEY NO. | PART NO. | DESCRIPTION |
|---------|--------------|-------------------------------|
| 1 | 532 42 40-73 | Seat |
| 2 | 532 18 01-66 | Bracket Pivot Fender |
| 3 | 532 14 06-75 | Strap, Asm Fender |
| 6 | 873 80 06-00 | Nut, Lock w/Ins. 3/8-16 unc |
| 7 | 532 12 41-81 | Spring, Seat Cprsn |
| 8 | 532 17 18-77 | Bolt 5/16-18 unc x 3/4 w/Sems |
| 10 | 532 19 69-77 | Pan, Seat |
| 21 | 532 17 18-52 | Bolt, Shoulder 5/16-18 |

| KEY NO. | PART NO. | DESCRIPTION |
|---------|--------------|-------------------------------|
| 37 | 873 80 05-00 | Nut, Lock 5/16-18 unc |
| 40 | 532 43 98-71 | Handle Slide Seat |
| 41 | 532 19 82-00 | Spring Latch Seat |
| 43 | 874 76 06-12 | Bolt Fin Hex 3/8-16 unc x 3/4 |
| 44 | 819 13 38-12 | Washer 13/32 x 2-3/8 x 12 Ga. |

NOTE: All component dimensions given in U.S. inches
1 inch = 25.4 mm

**TRACTOR - MODEL NO. GTH27V48LS (96043011701), PRODUCT NO. 960 43 01-17
MOWER DECK**



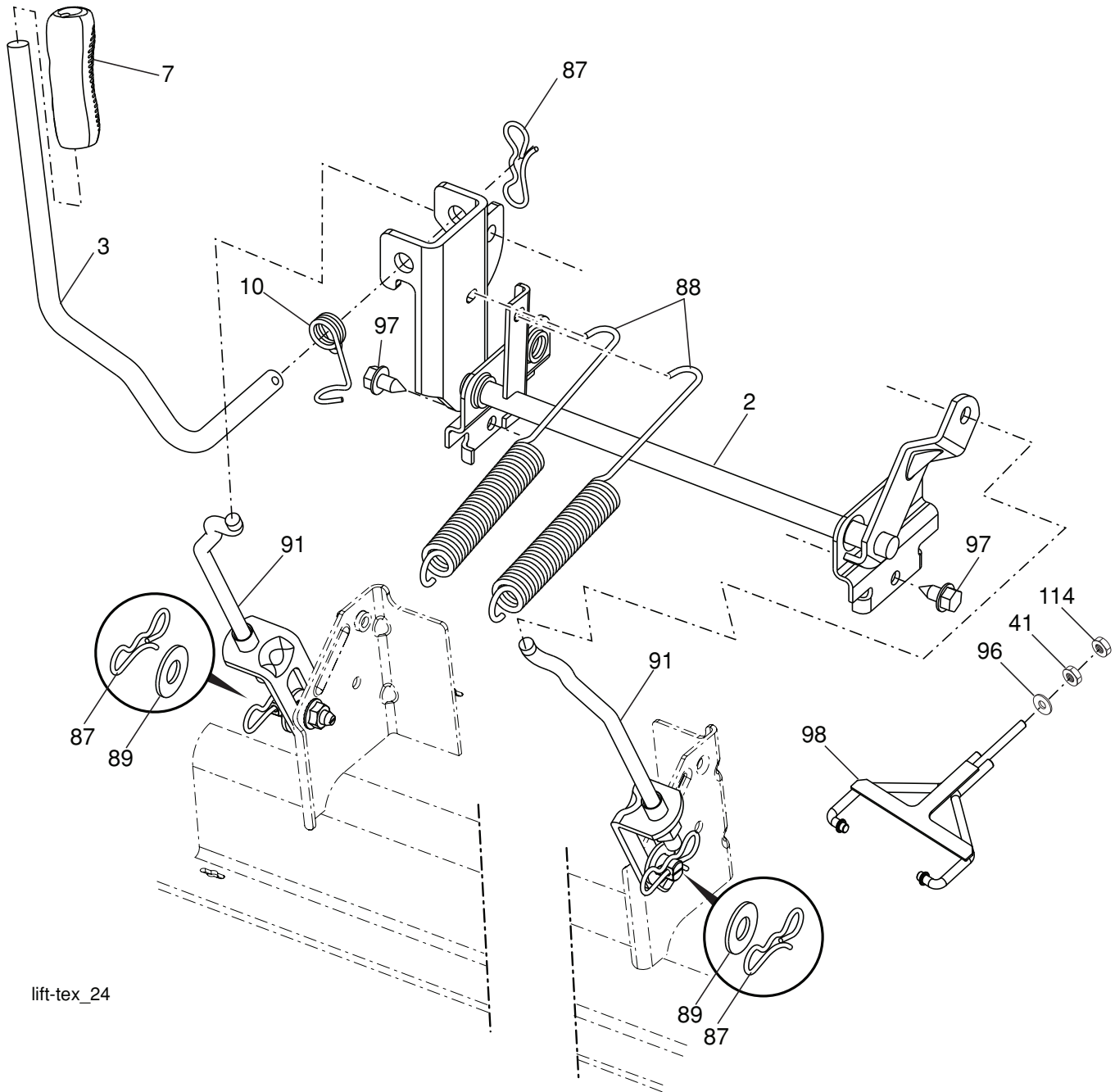
48_F_elec-Tex_4

**TRACTOR - MODEL NO. GTH27V48LS (96043011701), PRODUCT NO. 960 43 01-17
MOWER DECK**

| KEY NO. | PART NO. | DESCRIPTION | KEY NO. | PART NO. | DESCRIPTION |
|----------------|-----------------|------------------------------|----------------|-----------------|-------------------------------|
| 1 | 575 43 80-02 | Deck w/ Decals 48" | 34 | 532 17 85-15 | Washer, Flat Hardened |
| 2 | 539 11 21-70 | Housing Assembly | 35 | 539 11 91-24 | Nut, 7/16-14 Hex Nyloc |
| 3 | 539 10 75-20 | Washer-Spacer | 36 | 532 19 51-85 | Arm, Susp., Rear |
| 4 | 532 17 43-75 | Pulley, Mandrel | 37 | 539 11 36-21 | Sb 3/8-16 x 3/8 Skt Hd |
| 5 | 539 10 75-90 | Nut, 9/16 Top Center Lock | 38 | 539 99 01-22 | Washer, 3/8 Sae Flt |
| 6 | 539 10 76-30 | Screw, Washer Head | 39 | 539 20 02-82 | Nut, 3/8-16 Hex Jam Nyloc |
| 7 | 532 11 07-32 | Discharge Chute, 48" | 43 | 539 99 06-92 | Washer, 5/16 Std Flt |
| 8 | 532 11 07-35 | Spring - Torsion | 44 | 575 50 39-02 | Shield, Belt Rh |
| 9 | 532 11 07-36 | Pin, Clevis 5/16 x 5.19 | 45 | 539 99 02-09 | Hcs 5/16-18 x 1 Gr 5 |
| 10 | 539 11 34-25 | Blade, 16-1/4" | 46 | 539 99 01-87 | Wash 5/16 Slw |
| 11 | 539 10 75-22 | Bolt, 7/16, Assy Blade | 47 | 539 10 57-43 | Decal, No Step |
| 12 | 539 11 34-27 | Confinement Plate | 48 | 539 11 32-24 | Decal, Warning |
| 13 | 539 99 07-99 | Rhsnb 5/16-18 x 5/8 Gr 5 | 49 | 532 19 87-85 | Decal, Deck Sch |
| 14 | 539 99 07-17 | Nut 5/16-18 Hex Nyloc | 50 | 532 41 55-98 | Washout Port |
| 15 | 532 19 51-61 | Stud, Fasten w/ Anti- Rotate | 51 | 539 10 84-61 | Bolt, 1/4-20 x 1/2 |
| 16 | 539 11 28-99 | Nut 5/16-18 Hex Flange Nyloc | 52 | 539 10 48-70 | Hcs 7/16-14 x 2-1/2 Gr 5 |
| 17 | 532 19 61-04 | Pulley, Idler Spec. Hub | 53 | 574 84 56-02 | Belt, Deck |
| 18 | 574 82 71-02 | Arm, Idler, Blk | 54 | 575 22 43-01 | Guard, Belt |
| 19 | 532 17 79-68 | Pulley, Idler | 55 | 539 11 55-74 | Eyebolt 5/16 x 3-1/2 |
| 20 | 539 13 27-28 | Pulley, Idler | 56 | 539 99 05-85 | Nut 5/16-18 Hex Whizlk |
| 21 | 575 22 45-01 | Idler Bushing | 57 | 539 10 68-50 | Spring |
| 22 | 539 10 76-10 | Wheel, Gauge | 58 | 539 11 20-50 | Ball Bearing |
| 23 | 539 10 76-08 | Bolt, Shoulder | 59 | 575 35 29-01 | Pulley |
| 24 | 521 99 65-01 | Nut 3/8-16 Hex Flg Nyloc | 60 | 532 16 94-84 | Clip Retainer |
| 25 | 575 22 47-02 | Shield, Belt LH | 61 | 532 40 48-51 | Rod Anti-Sway |
| 27 | 539 10 47-63 | Retainer 5/16c U Type | 62 | 819 13 13-12 | Washer 13/32 x 13/16 x 12 Ga. |
| 28 | 539 10 82-71 | Hcs 3/8-16 x 3-1/2 Gr 5 | 63 | 532 19 42-08 | Pin Cotter 5/16 Bow Tie Lock |
| 29 | 539 10 65-04 | Heavy Washer | -- | 574 80 95-01 | Mower Deck Complete |
| 30 | 539 99 05-17 | Washer, 3/8 Flat Std | | | |
| 31 | 539 97 69-79 | Nut 3/8-16 Hex Nyloc | | | |
| 32 | 539 99 09-23 | Rhsnb 3/8-16 x 1-3/4 Gr 5 | | | |
| 33 | 539 10 48-64 | Washer, 7/16 Flat | | | |

NOTE: All component dimensions given in U.S. inches
1 inch = 25.4 mm

**TRACTOR - MODEL NO. GTH27V48LS (96043011701), PRODUCT NO. 960 43 01-17
MOWER LIFT**



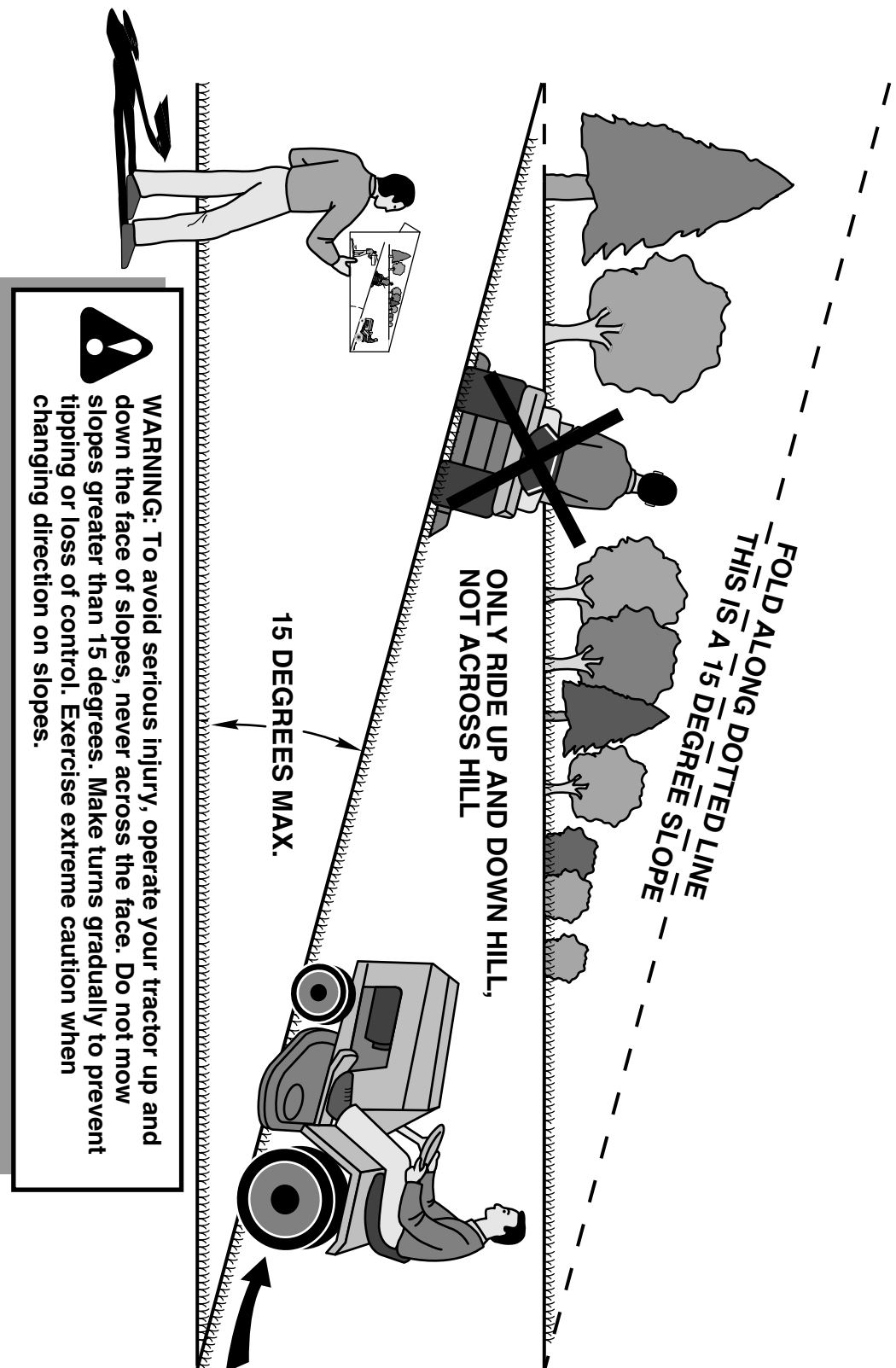
lift-tex_24

| KEY NO. | PART NO. | DESCRIPTION |
|---------|--------------|------------------------------|
| 2 | 532 42 20-27 | Shaft Asm., Lift |
| 3 | 532 19 52-30 | Lever Asm., Lift RH |
| 7 | 532 41 15-55 | Grip, Lever |
| 10 | 532 19 63-14 | Spring Torsion |
| 41 | 532 17 59-94 | Nut Lift Link |
| 87 | 532 19 42-09 | Pin Cotter 7/16 Bow Tie Lock |
| 88 | 532 19 53-04 | Spring Lift Assist |
| 89 | 819 19 19-12 | Washer Clear Zinc |

| KEY NO. | PART NO. | DESCRIPTION |
|---------|--------------|-----------------------------|
| 91 | 532 40 34-07 | Link Lift Susp Mower Rear |
| 96 | 532 19 52-63 | Bushing Spherical |
| 97 | 817 00 06-12 | Screw 3/8-16 x .75 |
| 98 | 574 82 25-01 | Link Lift Susp. Front Mower |
| 114 | 873 36 07-00 | Nut Jam 7/16-20 |

NOTE: All component dimensions given in U.S. inches
1 inch = 25.4 mm

SUGGESTED GUIDE FOR SIGHTING SLOPES FOR SAFE OPERATION



1. Fold this page along dotted line indicated above.
2. Hold page before you so that its left edge is vertically parallel to a tree trunk or other upright structure.
3. Sight across the fold in the direction of hill slope you want to measure.
4. Compare the angle of the fold with the slope of the hill.

