

532 44 51-45



Repair Parts Manual
Manual De Repuestos
YTH22V42LS/96043011302

Please read the operator's manual carefully and make sure you understand the instructions before using the machine.

Por favor lea cuidadosamente y comprenda estas instrucciones antes de usar esta maquina.



English/Spanish

HOW TO USE THIS MANUAL

This manual is designed to provide the customer with a means to identify the parts on his/her tractor when ordering repair parts. The illustrations may or may not represent the actual assemblies; therefore, it is not recommended to use this manual as a guide to assemble or disassemble the tractor. Some hardware and parts are drawn larger in order to more readily identify them.

Each tractor has its own model number.

The model number for your tractor can be found on the fender under the seat.

When ordering parts, always give the following information:

- Product - "TRACTOR"
- MODEL NUMBER - "YTH22V42LS" (96043011302)"
- Part Number
- Part Description

TABLE OF CONTENTS

SCHEMATIC	3
ELECTRICAL.....	4-5
CHASSIS	6-7
DRIVE.....	8-9
ENGINE.....	10-11
STEERING	12-13
MOWER DECK.....	14-15
MOWER LIFT.....	16
SEAT	17
DECALS.....	18

COMO UTILIZAR ESTE MANUAL

Este manual está diseñado para brindarle al comprador un medio para identificar las piezas del tractor para cuando necesite hacer el pedido de un repuesto. Las ilustraciones pueden o no representar los ensambles reales; por lo tanto, no se recomienda utilizar este manual como una guía para ensamblar o desarmar el tractor. Algunos accesorios y piezas están dibujados en tamaños más grandes para identificarlos con mayor facilidad.

Cada tractor tiene su propio número de modelo.

El número de modelo del tractor se encuentra en el guardabarros debajo del asiento.

Cuando haga el pedido de una pieza, siempre brinde la siguiente información:

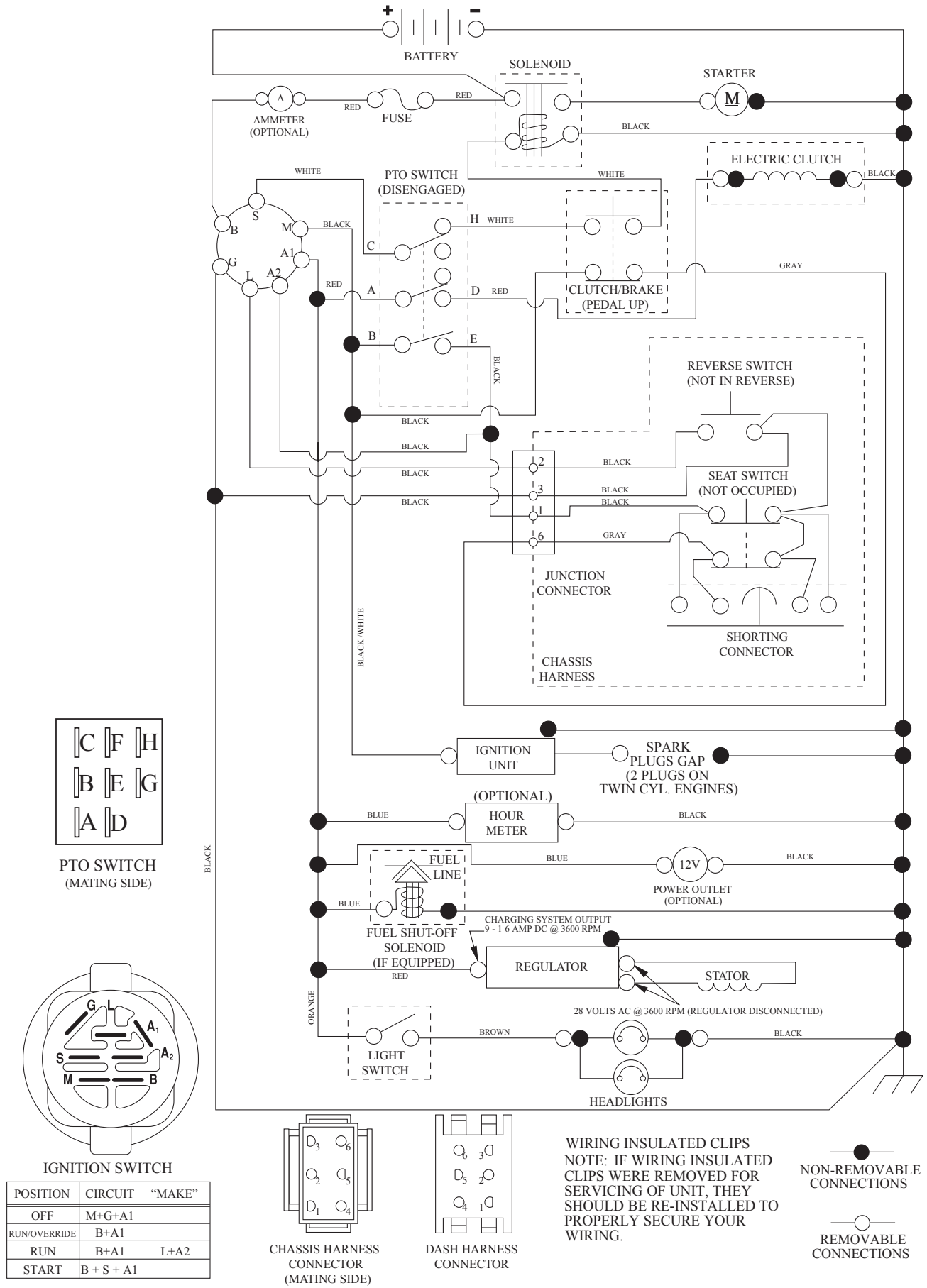
- Producto: "TRACTOR"
- NÚMERO DE MODELO: "YTH22V42LS" (96043011302)"
- Número de pieza
- Descripción de la pieza

ÍNDICE

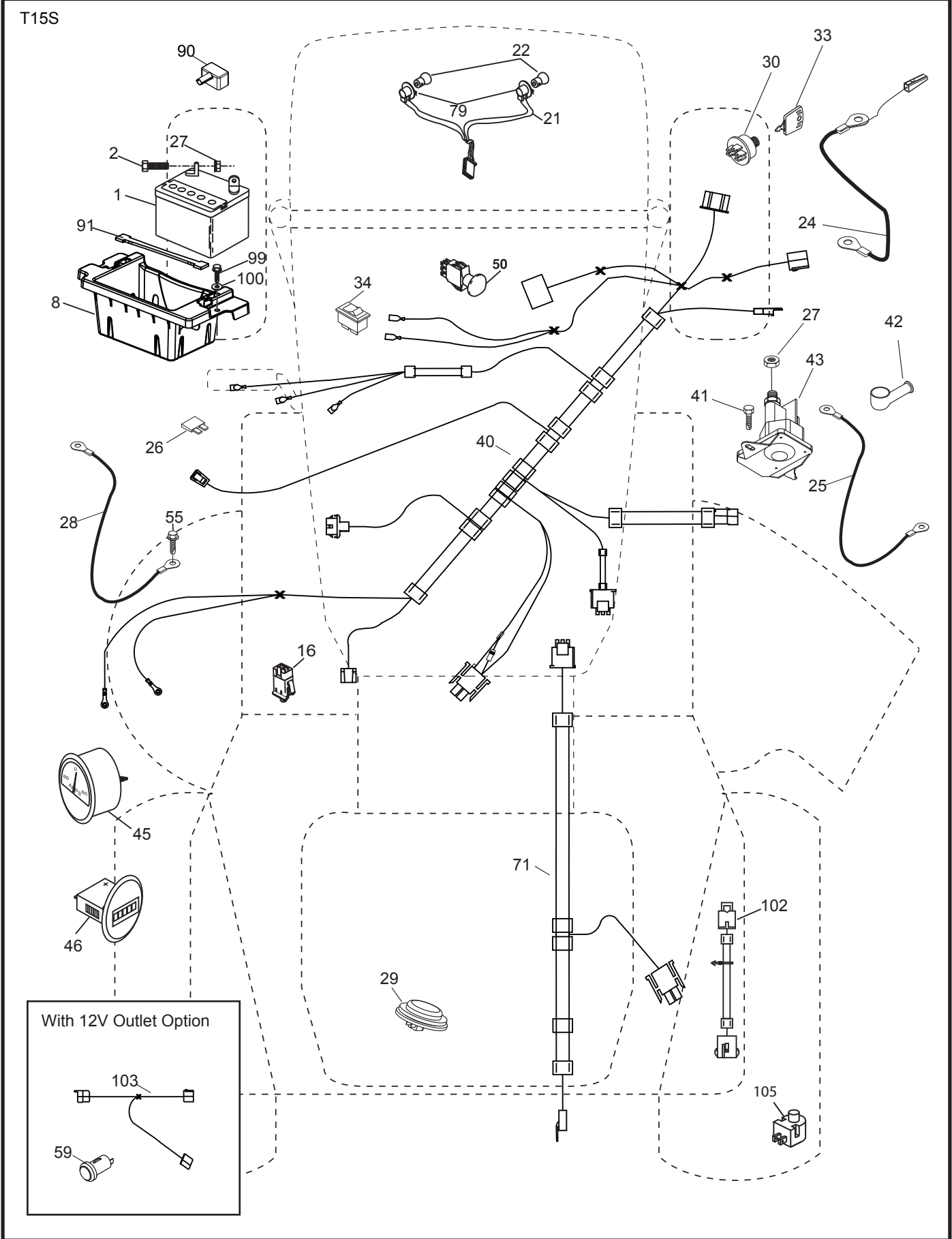
DIAGRAMA.....	19
DIAGRAMA ELÉCTRICO	20-21
CHASIS.....	22-23
TRANSMISIÓN	24-25
MOTOR.....	26-27
DIRECCIÓN	28-29
PLATAFORMA DE LA CORTADORA DE CÉSPED.....	30-31
ELEVACIÓN DE LA CORTADORA DE CÉSPED.....	32
ASIENTO.....	33
CALCOMANÍAS.....	34

TRACTOR - MODEL NO. YTH22V42LS (96043011302), PRODUCT NO. 960 43 01-13 SCHEMATIC

SCH12



**TRACTOR - MODEL NO. YTH22V42LS (96043011302), PRODUCT NO. 960 43 01-13
ELECTRICAL**

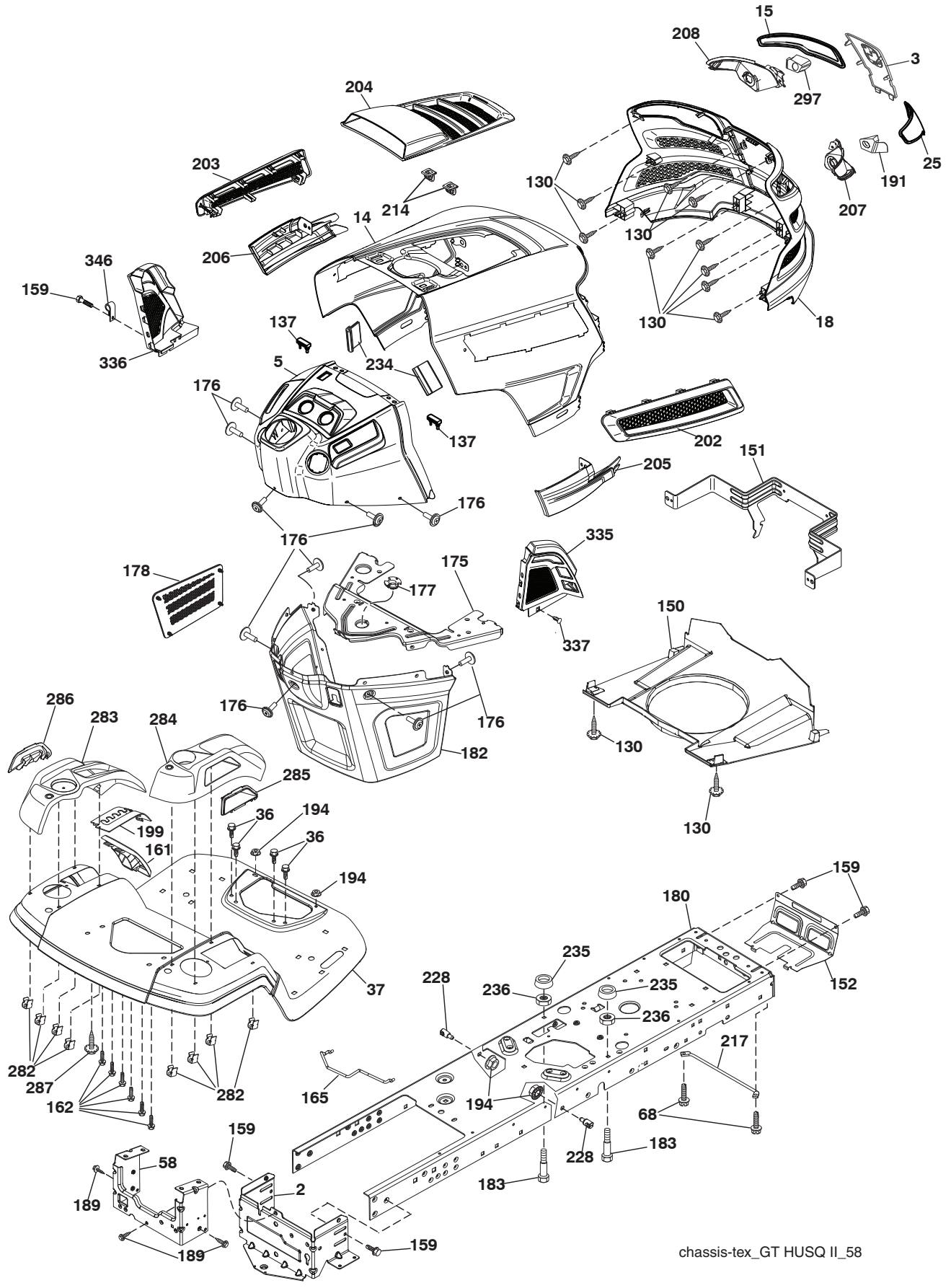


**TRACTOR - MODEL NO. YTH22V42LS (96043011302), PRODUCT NO. 960 43 01-13
ELECTRICAL**

KEY NO.	PART NO.	DESCRIPTION
1	532 16 34-65	Battery
2	874 76 04-12	Bolt Hex Head 1/4-20 x 3/4
8	532 18 64-91	Box Battery
16	532 17 61-38	Switch Interlock Push-In
21	532 40 02-52	Harness Socket Light w/4152J
22	532 00 41-52	Bulb Light
24	532 40 02-53	Cable Battery 8"
25	532 41 28-95	Cable Starter
26	532 17 51-58	Fuse
27	873 51 04-00	Nut Keps Hex 1/4-20 unc
28	532 14 54-91	Cable, Ground
29	532 40 15-45	Switch, Seat
30	532 19 33-50	Switch, Ign
33	532 41 19-33	Key/Chain
34	532 11 07-12	Switch Light / Reset
40	532 40 21-67	Harness Ign. Dash
41	817 72 04-08	Screw Thd Cut 1/4-20 x 1/2
42	532 13 15-63	Cover, Terminal
43	532 19 25-07	Solenoid
45	532 42 52-70	Ammeter Gauge Round Snap-In
46	532 42 52-71	Gauge Hrmtr
50	532 17 46-51	Switch PTO
55	817 06 05-12	Screw Thdrol 5/16-18 x 3/4 TYTT
59	532 40 03-03	Outlet 12-Volt
71	532 19 42-76	Harness Ign.
79	532 17 52-42	Socket Asm Bulb Twistlock
90	532 43 53-95	Cover Terminal
91	532 19 02-70	Strap Battery Mount Front
99	817 67 04-12	Screw Hexwsh Thdrol 1/4-20 x 3/4
100	819 09 14-16	Washer 9/32 x 7/8 x 16 Ga.
102	532 40 44-54	Harness Pigtail
103	532 42 17-47	Harness 12-Volt Pigtail
105	532 40 75-68	Switch Reverse TT Pedal Control

NOTE: All component dimensions given in U.S. inches
1 inch = 25.4 mm

TRACTOR - MODEL NO. YTH22V42LS (96043011302), PRODUCT NO. 960 43 01-13
CHASSIS



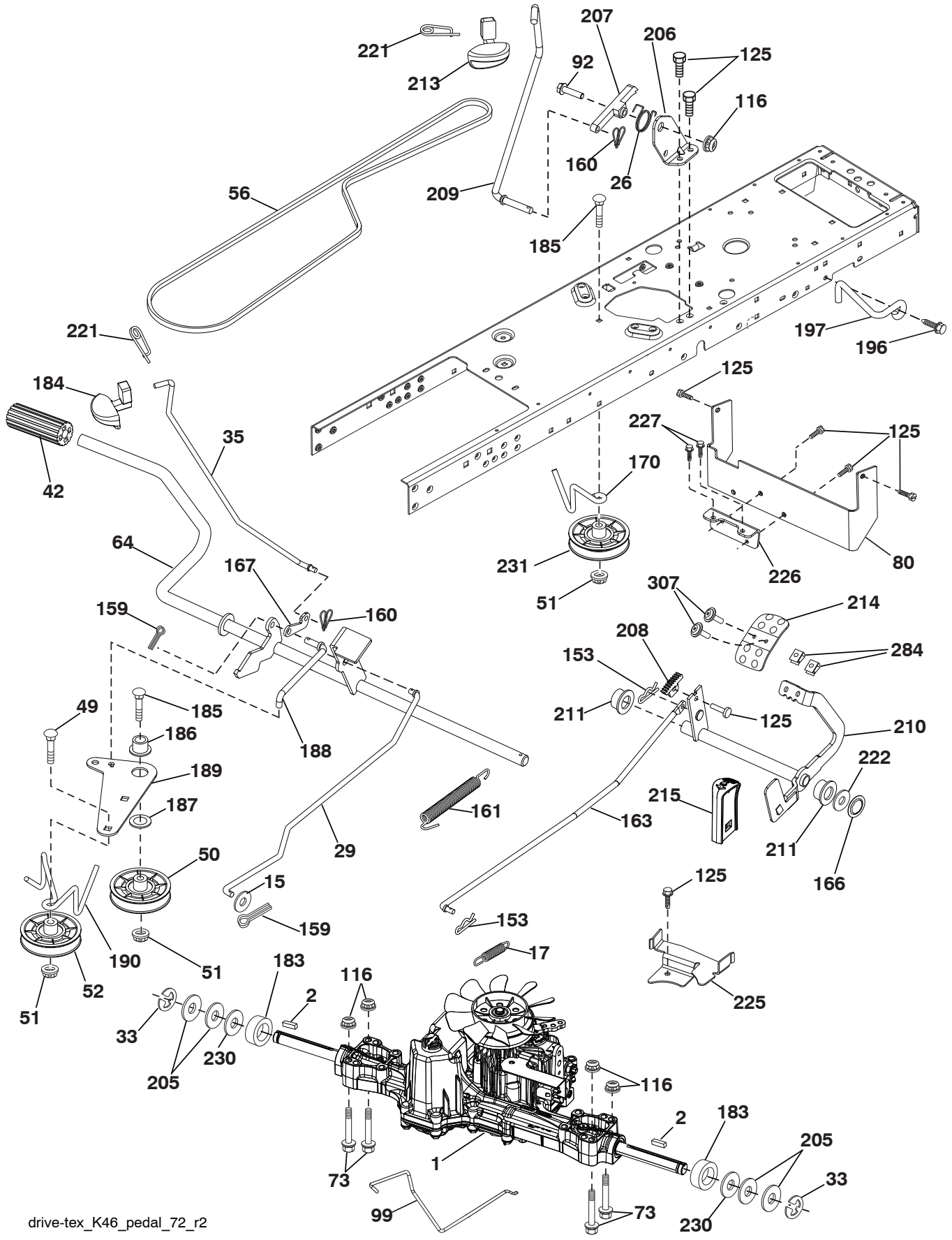
chassis-tex_GT HUSQ II_58

**TRACTOR - MODEL NO. YTH22V42LS (96043011302), PRODUCT NO. 960 43 01-13
CHASSIS**

KEY NO.	PART NO.	DESCRIPTION	KEY NO.	PART NO.	DESCRIPTION
2	532 41 22-82	Drawbar	199	532 41 34-85	Plate Deck Lift
3	532 43 97-52	Trim, Husq.	202	532 43 97-28	Vent Side Hood RH
5	532 43 74-69	Dash	203	532 43 97-27	Vent Side Hood LH
14	532 44 11-77	Hood	204	532 43 57-14	Vent Top Hood
15	532 43 97-33	Lens LH	205	532 43 97-30	Skirt Hood Side RH
18	532 43 77-62	Grille/Lens Asm.	206	532 43 97-29	Skirt Hood Side LH
25	532 44 33-85	Lens RH	207	532 43 97-34	Bezel RH
36	817 06 05-12	Screw 5/16-18 x 3/4	208	532 43 97-35	Bezel LH
37	532 44 11-78	Fender	214	532 19 91-45	Clip Retainer Tinner
58	532 41 22-80	Drawbar Upper	217	532 40 91-67	Rod Pivot
68	817 49 05-08	Screw Thdrol 5/16-18 x 1/2	228	532 19 51-61	Stud Fastener
130	532 41 63-58	Screw 10 x 0.750 BOS Thread	235	532 40 61-29	Spacer Fender
137	532 40 75-90	Bumper Dash	234	532 40 47-42	Bumper Hood
150	532 43 97-74	Air Duct	236	873 93 05-00	Nut Lock 5/16-18 unc
151	532 43 66-70	Pivot Bracket	282	532 41 41-10	Clip Retainer Console
152	532 43 98-70	Shield Browning	283	532 43 98-61	Console Deck Lift
159	817 00 06-12	Screw 3/8-16 x 3/4	284	532 43 98-23	Console Shift
161	532 43 97-81	Window Fuel	285	532 41 63-15	Console Insert RH
162	532 14 24-32	Screw Hex Wsh Hi-Lo 1/4 x 1/2 unc	286	532 41 63-17	Console Insert LH
165	532 19 43-30	Support Tank Rear	287	817 60 04-06	Screw 1/4-20 X 3/8
175	532 19 63-04	Crossmember	297	532 43 74-56	Insert Reflective LH
176	532 40 07-76	Screw 10-24 x 5/8	335	532 43 98-47	Cover RH
177	532 19 52-27	Bushing Steering	336	532 44 53-09	Cover LH
178	532 19 97-82	Cargo Net Asm.	337	532 43 81-37	Clip Xmas
180	532 19 42-60	Chassis	346	532 12 64-71	Clip Insulator
182	532 40 68-59	Dash Lower	- -	532 42 49-18	Kit Guard Brush
183	874 52 05-20	Bolt 5/16-18 x 1-1/4			
189	817 00 05-12	Screw 5/16-18 x 3/4			
191	532 43 74-55	Insert Reflective RH			
194	873 90 05-00	Nut Lock Hex Flange 5/16-18			

NOTE: All component dimensions given in U.S. inches
1 inch = 25.4 mm

**TRACTOR - MODEL NO. YTH22V42LS (96043011302), PRODUCT NO. 960 43 01-13
DRIVE**



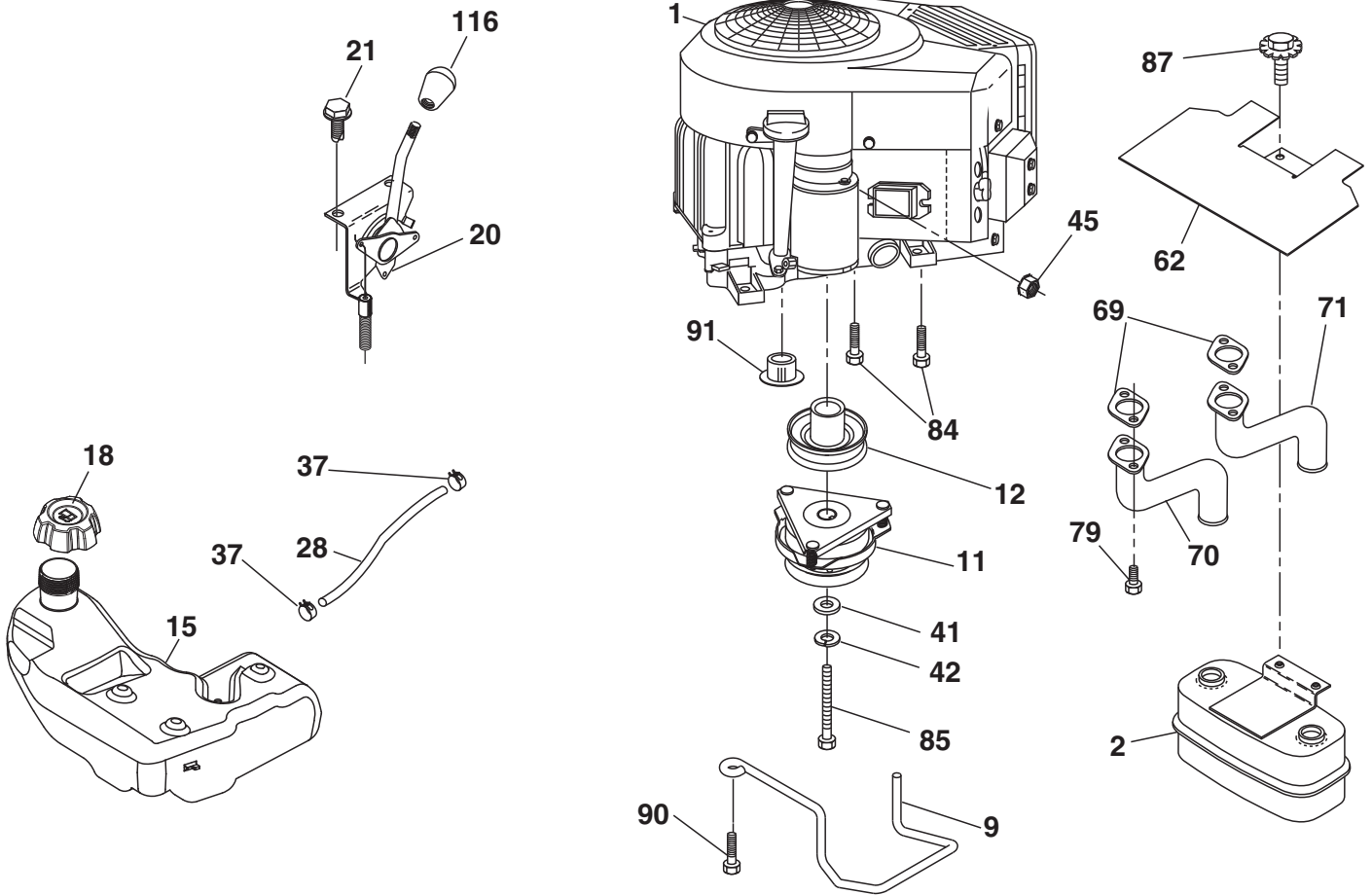
drive-tex_K46_pedal_72_r2

TRACTOR - MODEL NO. YTH22V42LS (96043011302), PRODUCT NO. 960 43 01-13 DRIVE

KEY PART NO.	PART NO.	DESCRIPTION	KEY PART NO.	PART NO.	DESCRIPTION
1	---	Transaxle, TUFFTORQ K46BT (426120) (Order parts from transaxle manufacturer)	185	872 11 06-22	Bolt Rdhd Sqnk 3/8-16 x 2-1/2
2	532 12 35-83	Key	186	532 19 43-21	Spacer Retainer
15	819 13 13-16	Washer 13/32 x 13/16 x 16 Ga.	187	819 13 32-10	Washer
17	532 41 36-78	Spring, Brake	188	532 19 43-23	Link Clutch Ground Drive
26	532 19 96-79	Spring Return Cruise	189	532 19 43-17	Bellcrank Ground Drive
29	532 40 38-06	Rod, Brake	190	532 19 43-18	Keeper Bellcrank Ground Drive
33	812 00 00-01	Ring E	196	817 00 06-16	Screw 3/8-16 x 1
35	532 43 54-86	Rod, Brake, Park	197	532 19 58-04	Bracket Clutch Anti-Rotation
42	532 12 48-72	Cover, Foot Pedal	205	532 12 17-48	Washer
49	872 11 06-14	Bolt	206	532 19 78-67	Bracket Mount Latch Cruise
50	532 19 43-27	Pulley Idler Flat	207	532 19 78-68	Latch Control Cruise
51	873 90 06-00	Lock Nut 3/8-16	208	532 19 78-69	Gear Sector Control Cruise
52	532 19 43-26	Idler V-Groove 910" Offset	209	532 19 95-92	Rod Control Cruise
56	532 13 09-69	V-Belt, Drive	210	532 40 09-80	Rocker Asm. Pedal Control
64	532 19 78-65	Shaft Asm. Pedal Brake Control	211	532 12 01-83	Bearing Nylon
73	874 49 05-40	Bolt Hex Flghd 5/16-18 Gr. 5	213	532 40 31-19	Knob Control Cruise
80	532 44 06-19	Bracket Strap Torque	214	532 41 68-63	Pedal Forward
92	874 76 05-20	Bolt Fin Hex 5/16-18 unc x 1.25	215	532 40 17-23	Pedal Reverse
99	532 41 57-42	Rod Spring Bypass	221	532 40 31-87	Retainer Spring Clip Handle
116	873 90 05-00	Nut Lock Hex Flange 5/16-18	222	879 21 20-10	Washer 21/32 x 1-1/4 x 10 Ga.
125	817 00 05-12	Screw 5/16-18 x 3/4	225	532 40 33-19	Keeper Belt Trans.
153	532 12 47-88	Retainer Spring	226	532 40 15-64	Bracket Mount Torque
159	876 02 04-12	Pin Cotter 1/8 x 3/4	227	817 49 05-12	Screw Thdrol 5/16-18 x 3/4
160	532 16 94-84	Retainer Clip	230	532 18 89-67	Washer Hardened
161	532 10 57-09	Spring, Return, Clutch	231	532 40 72-87	Idler Groove
163	532 40 10-34	Rod Pedal Control	284	532 41 76-93	Nut U-CHNL 1/4-20 550DP .350 PNL
166	532 42 91-64	Nut Push	307	874 18 04-12	Screw PHD 1/4-20 Box Drive
167	532 40 52-57	Latch Brake Parking			
170	532 41 34-30	Keeper Belt Centerspan			
183	532 13 70-57	Spacer Split			
184	532 44 14-55	Handle Parking Brake			

NOTE: All component dimensions given in U.S. inches
1 inch = 25.4 mm

**TRACTOR - MODEL NO. YTH22V42LS (96043011302), PRODUCT NO. 960 43 01-13
ENGINE**



29

SPARK ARRESTER KIT

engine-tex_bs-2cyl_22

TRACTOR - MODEL NO. YTH22V42LS (96043011302), PRODUCT NO. 960 43 01-13 ENGINE

KEY PART NO.	PART NO.	DESCRIPTION
1	---	Engine Briggs Model No. 40H777-2421-G1 (438218) (Order parts from engine manufacturer)
2	532 14 97-23	Muffler
9	532 19 43-20	Keeper Belt Engine
11	532 40 00-08	Clutch Electric
12	532 40 50-97	Pulley Engine
15	532 43 80-80	Tank Fuel
18	532 43 92-08	Cap
20	532 42 43-40	Control Throttle
21	532 41 63-58	Screw #10 x .750 BOS Thread
28	532 40 11-35	Fuel Line
29	532 13 71-80	Spark Arrester Kit
37	532 12 34-87	Clamp Hose
41	532 12 61-97	Washer 1-1/2 OD x 15/32 ID x .250
42	810 04 07-00	Washer Lock 7/16
45	873 51 04-00	Nut Keps Hex 1/4-20 unc
62	532 43 40-17	Heat Shield
69	532 16 53-91	Gasket
70	532 15 99-55	Tube Exhaust
71	532 16 05-89	Exhaust Tube
79	532 18 39-06	Screw Socket HP 5/16-18 x 1
84	817 06 06-20	Screw 3/8-16 x 1-1/4
85	532 17 39-37	Bolt Hex 7/16-20 x 4 x Gr. 5-1.5 Thr
87	537 17 18-77	Bolt 5/16-18 unc x 3/4 w/Sems
90	817 00 06-16	Screw 3/8-16 x 1
91	532 18 74-95	Bushing 1.375 OD
116	539 13 26-24	Knob Soft Touch

NOTE: All component dimensions given in U.S. inches
1 inch = 25.4 mm

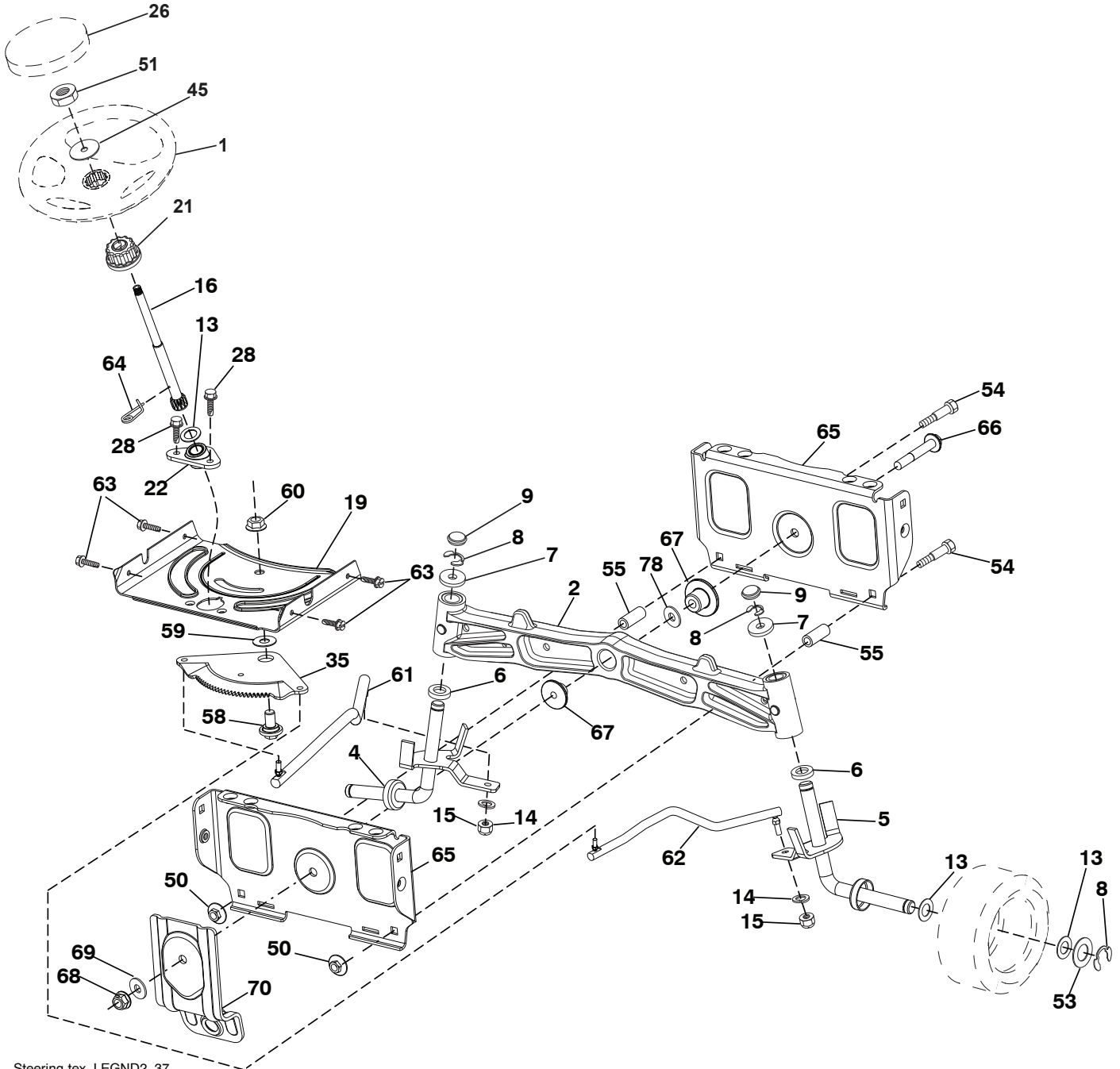
For engine service and replacement parts, call the toll free number for your engine manufacturer listed below:

Briggs & Stratton 1-800-233-3723

Engine Power Rating Information

The gross power rating for individual gas engine models is labeled in accordance with SAE (Society of Automotive Engineers) code J1940 (Small Engine Power & Torque Rating Procedure), and rating performance has been obtained and corrected in accordance with SAE J1995 (Revision 2002-05). Torque values are derived at 3060 RPM; horsepower values are derived at 3600 RPM. Actual gross engine power will be lower and is affected by, among other things, ambient operating conditions and engine-to-engine variability. Given both the wide array of products on which engines are placed and the variety of environmental issues applicable to operating the equipment, the gas engine will not develop the rated gross power when used in a given piece of power equipment (actual "on-site" or net power). This difference is due to a variety of factors including, but not limited to, accessories (air cleaner, exhaust, charging, cooling, carburetor, fuel pump, etc.), application limitations, ambient operating conditions (temperature, humidity, altitude), and engine-to-engine variability. Due to manufacturing and capacity limitations, Briggs & Stratton may substitute an engine of higher rated power for this Series engine.

TRACTOR - MODEL NO. YTH22V42LS (96043011302), PRODUCT NO. 960 43 01-13
STEERING ASSEMBLY



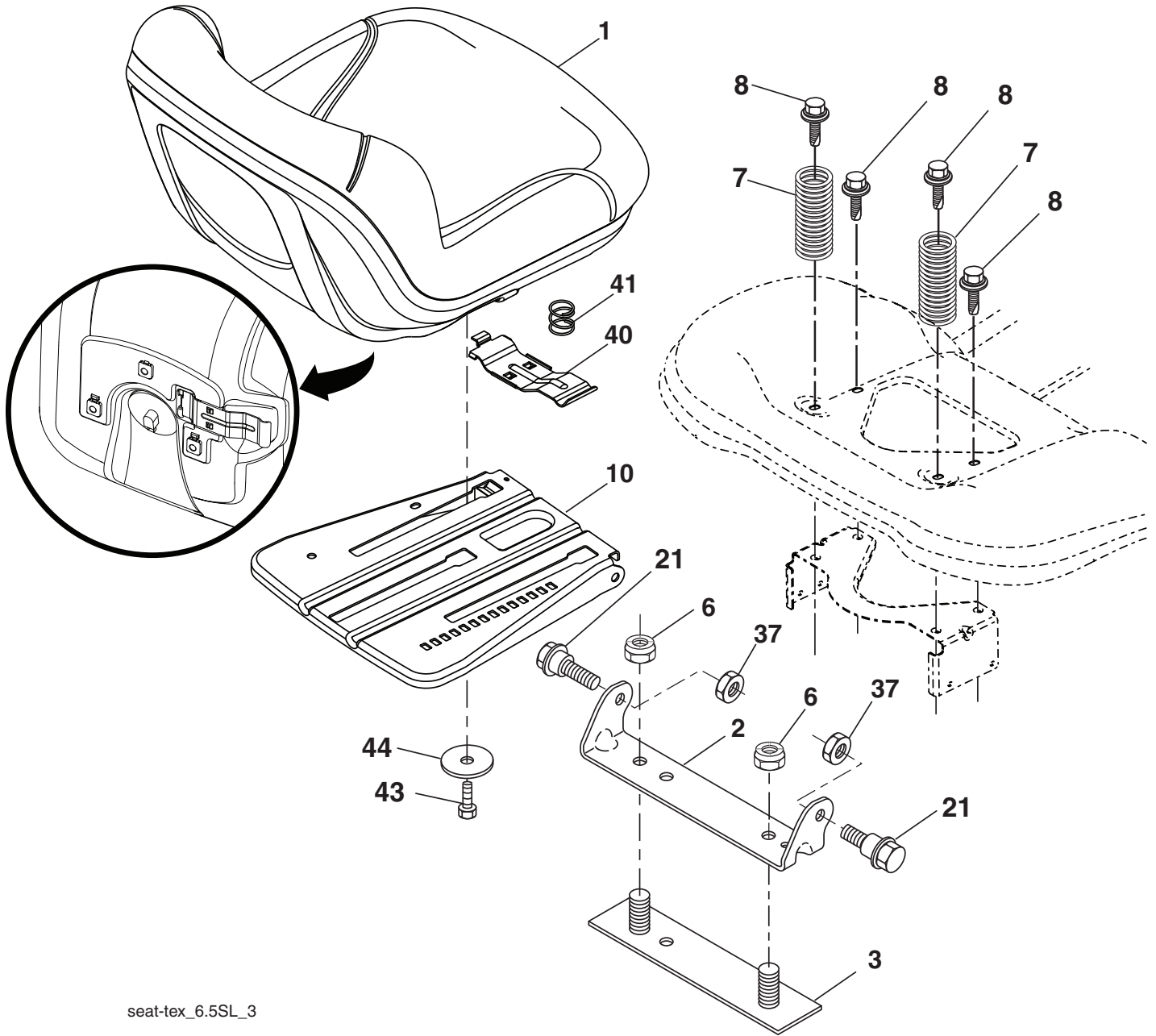
Steering-tex_LEGND2_37

**TRACTOR - MODEL NO. YTH22V42LS (96043011302), PRODUCT NO. 960 43 01-13
STEERING ASSEMBLY**

KEY PART NO.	PART NO.	DESCRIPTION
1	532 43 97-40	Wheel, Steering
2	532 19 59-68	Axle Asm., Front
4	532 40 30-89	Spindle Asm., LH
5	532 40 30-90	Spindle Asm., RH
6	532 12 49-31	Bearing, Race Thrust Harden
7	532 12 17-48	Washer 25/32 x 1-5/8 x 16 Ga.
8	812 00 00-29	Ring, Clip #T5304-75
9	532 12 12-32	Cap, Spindle
13	532 12 17-49	Washer 25/32 x 1-1/4 x 16 Ga.
14	810 04 06-00	Washer, Lock Hvy Hlcl Spr 3/8
15	873 54 06-00	Nut, Crown Lock 3/8-24 unf
16	532 40 82-19	Shaft Steering
19	532 19 47-29	Plate Steering
21	532 18 67-37	Adapter, Wheel Steering
22	532 42 05-37	Steering Support Lower
26	532 43 97-43	Insert, Wheel Steering
28	817 00 06-12	Screw 3/8-16 x 3/4
35	532 19 47-32	Gear, Sector Plate
45	819 18 38-12	Washer 9/16 ID x 2-3/8 OD 12 Ga.
50	873 90 06-00	Nut Lock Flg. 3/8-16 unc
51	873 94 08-00	Nut Hex Jam Toplock 1/2-20 unf
53	532 18 89-67	Washer Hardened .793 x 1.637 x .060
54	874 76 06-36	Bolt Hex 3/8-16 unc x 2-1/4
55	532 41 47-36	Spacer Brace Axle
58	532 19 47-47	Bolt Shoulder Sector Pivot CFM
59	532 19 47-48	Washer Thrust Sector Steering
60	873 97 10-00	Nut Flange Lock 5/8-11
61	532 19 47-40	Draglink, LH
62	532 19 47-41	Draglink, RH
63	817 00 05-12	Screw 5/16-18 x 3/4
64	532 19 98-49	Retainer Clip Spring Steering
65	532 19 47-34	Brace Axle Front
66	871 02 07-48	Bolt Hex Fghd 7/16-14 x 3 Serr
67	532 19 47-37	Bushing PM Front Axle
68	873 90 07-00	Nut Lock Flange 7/16-14 Gr. 5
69	532 19 91-62	Washer 1.5 x .505 x .118
70	532 19 61-97	Bracket Deck Susp. Front
78	532 05 70-79	Washer Thrust

NOTE: All component dimensions given in U.S. inches
1 inch = 25.4 mm

**TRACTOR - MODEL NO. YTH22V42LS (96043011302), PRODUCT NO. 960 43 01-13
SEAT ASSEMBLY**



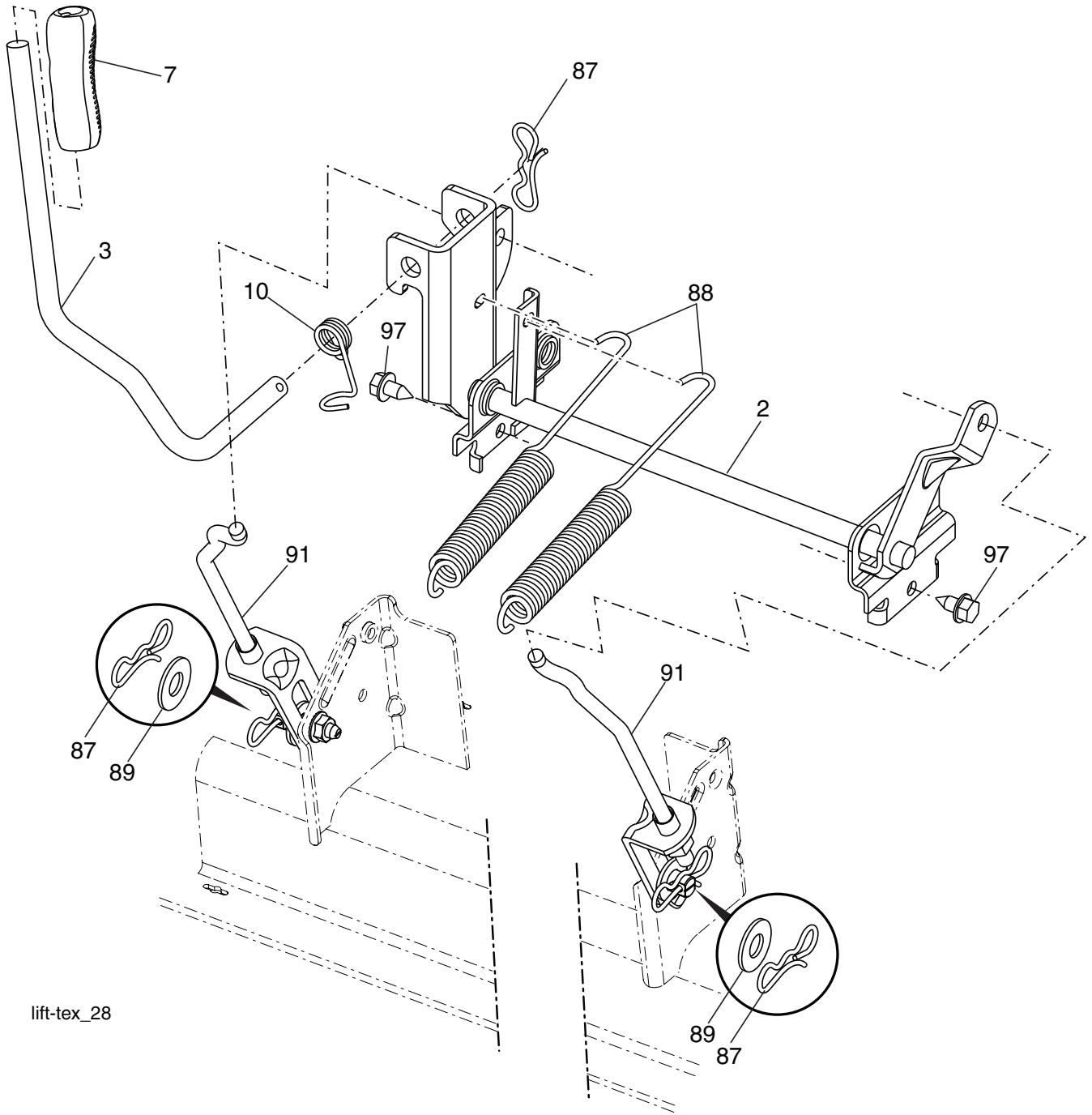
seat-tex_6.5SL_3

KEY PART NO.	NO.	DESCRIPTION
1	532 43 98-22	Seat
2	532 18 01-66	Bracket Pivot Fender
3	532 14 06-75	Strap, Asm Fender
6	873 80 06-00	Nut, Lock w/Ins. 3/8-16 unc
7	532 12 41-81	Spring, Seat Cprsn
8	532 17 18-77	Bolt 5/16-18 unc x 3/4 w/Sems
10	532 19 69-77	Pan, Seat
21	532 17 18-52	Bolt, Shoulder 5/16-18

KEY PART NO.	NO.	DESCRIPTION
37	873 80 05-00	Nut, Lock 5/16-18 unc
40	532 43 98-71	Handle Slide Seat
41	532 19 82-00	Spring Latch Seat
43	874 76 06-12	Bolt Fin Hex 3/8-16 unc x 3/4
44	819 13 38-12	Washer 13/32 x 2-3/8 x 12 Ga.

NOTE: All component dimensions given in U.S. inches
1 inch = 25.4 mm

**TRACTOR - MODEL NO. YTH22V42LS (96043011302), PRODUCT NO. 960 43 01-13
MOWER LIFT**



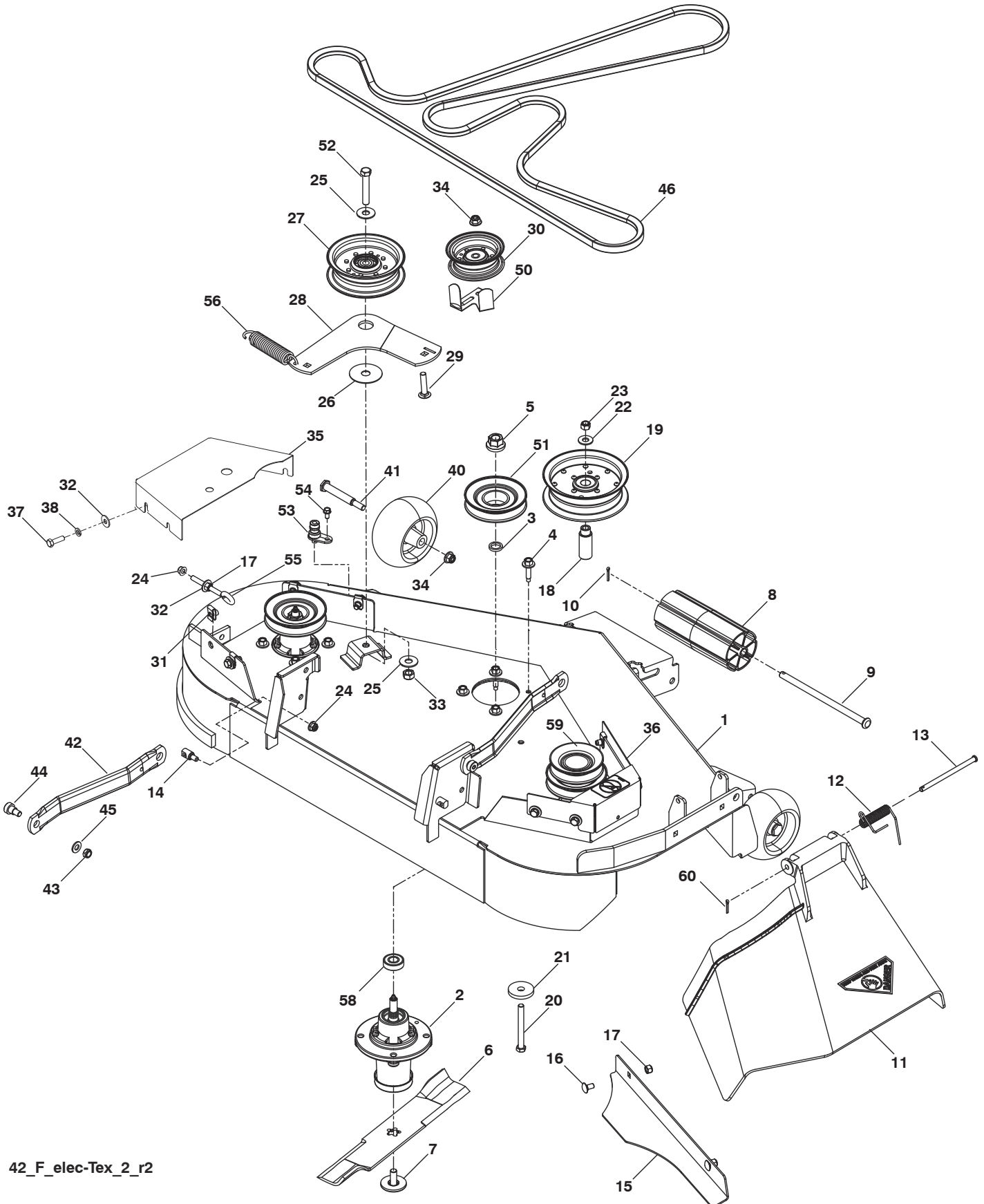
lift-tex_28

KEY PART NO.	PART NO.	DESCRIPTION
2	532 42 20-27	Shaft Asm., Lift
3	532 19 52-31	Lever Asm., Lift RH
7	532 41 15-55	Grip, Lever
10	532 19 63-14	Spring Torsion
87	532 19 42-09	Pin Cotter 7/16 Bow Tie Lock
88	532 41 07-10	Spring Lift Assist

KEY PART NO.	PART NO.	DESCRIPTION
89	819 19 19-12	Washer Clear Zinc
91	532 40 34-07	Link Lift Susp Mower Rear
97	817 00 06-12	Screw 3/8-16 x .75

NOTE: All component dimensions given in U.S. inches
1 inch = 25.4 mm

TRACTOR - MODEL NO. YTH22V42LS (96043011302), PRODUCT NO. 960 43 01-13
MOWER DECK



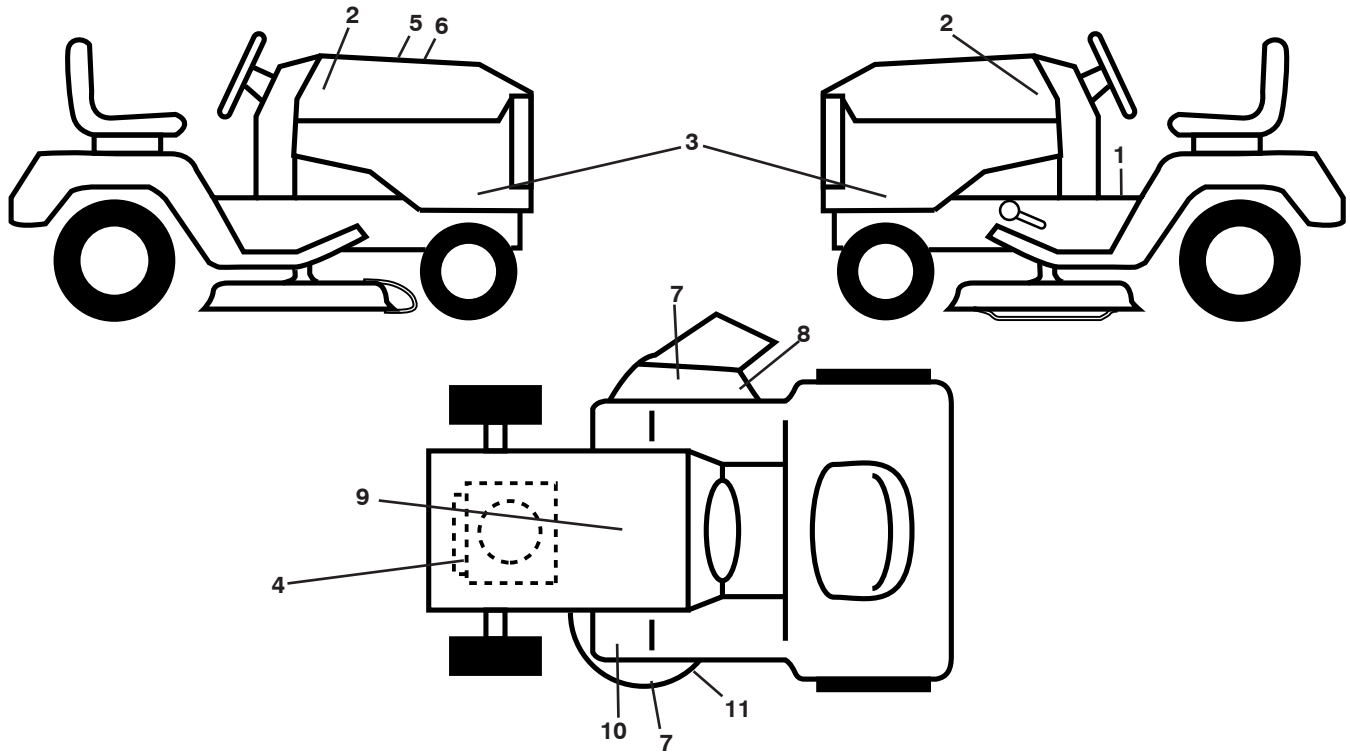
42_F_elec-TeX_2_r2

**TRACTOR - MODEL NO. YTH22V42LS (96043011302), PRODUCT NO. 960 43 01-13
MOWER DECK**

KEY PART NO.	PART NO.	DESCRIPTION	KEY PART NO.	PART NO.	DESCRIPTION
1	575 43 80-01	Deck w/Decals 42"	31	539 10 47-63	Retainer 5/16c U Type
2	539 11 21-70	Housing Assembly	32	539 99 06-92	Washer, 5/16 Std Flt
3	532 18 76-90	Washer-Spacer	33	539 13 20-19	Nut, 7/16-14 Hex
4	539 10 76-30	Screw, Washer Head	34	521 99 65-01	Nut 3/8-16 Hex Flg Nyloc
5	532 40 02-34	Nut, Top Center Lock	35	575 22 47-01	Shield, Belt LH
6	539 11 20-78	Blade, 14-5/8"	36	575 96 71-01	Shield, Belt RH
7	532 19 30-03	Bolt, 7/16, Assy Blade	37	539 99 02-09	Hcs 5/16-18 x 1 Gr. 5
8	532 17 60-66	Roller, Nose	38	539 99 01-87	Wash 5/16 Slw
9	532 17 91-27	Rod, Roller, Nose	40	539 10 76-10	Wheel, Gauge
10	539 19 42-08	Clip Retainer	41	532 19 34-06	Bolt, Shoulder
11	532 11 07-31	Discharge Chute - 42" Plastic	42	532 19 51-85	Arm, Susp., Rear
12	532 11 07-35	Spring - Torsion	43	539 20 02-82	Nut, 3/8-16 Hex Jam Nyloc
13	532 11 07-36	Pin, Clevis 5/16 x 5.19	44	539 11 36-21	Sb 3/8-16 x 3/8 Skt Hd
14	532 19 51-61	Stud, Fasten w/ Anti- Rotate	45	539 99 01-22	Washer, 3/8 Sae Flt
15	539 11 24-12	Confinement Plate	46	574 84 56-01	Belt, 42" Fab Deck
16	539 99 07-99	Rhsnb 5/16-18 x 5/8 Gr. 5	50	575 22 43-01	Guard, Belt
17	539 99 07-17	Nut 5/16-18 Hex Nyloc	51	575 22 44-01	Pulley, Mandrel
18	575 22 45-01	Idler Bushing	52	539 10 48-70	Hcs 7/16-14 x 2-1/2 Gr. 5
19	539 13 27-28	Pulley, Idler	53	532 41 55-98	Washout Port
20	539 10 82-71	Hcs 3/8-16 x 3-1/2 Gr. 5	54	539 10 84-61	Bolt, 1/4-20 x 1/2
21	539 10 65-04	Heavy Washer	55	539 11 55-74	Eyebolt 5/16 x 3-1/2
22	539 99 05-17	Washer, 3/8 Flat Std	56	539 10 68-50	Spring
23	539 97 69-79	Nut 3/8-16 Hex Nyloc	58	539 11 20-50	Ball Bearing
24	539 11 28-99	Nut 5/16-18 Hex Flange Nyloc	59	575 41 62-01	Pulley
25	539 10 48-64	Washer, 7/16 Flat	60	532 16 94-84	Retainer Clip
26	532 17 85-15	Washer, Flat Hardened	--	574 79 24-01	Mower Deck Complete
27	532 19 61-04	Pulley, Idler Spec. Hub			
28	574 82 71-01	Arm, Idler, Blk			
29	539 99 09-23	Rhsnb 3/8-16 x 1-3/4 Gr. 5			
30	532 17 79-68	Pulley, Idler			

NOTE: All component dimensions given in U.S. inches
1 inch = 25.4 mm

**TRACTOR - MODEL NO. YTH22V42LS (96043011302), PRODUCT NO. 960 43 01-13
DECALS**



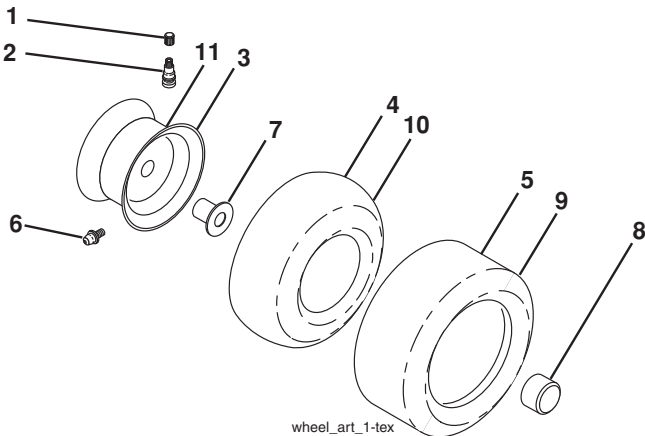
**KEY PART
NO. NO.**

KEY PART NO.	NO.	DESCRIPTION
1	532 41 16-57	Decal, Operators
2	532 42 91-96	Badge, Hood
3	532 43 86-66	Decal, Emblem Panel SD
4	532 43 29-14	Decal, Eng.
5	532 42 38-29	Decal, Customer Respons.
6	532 43 84-74	Decal, Replacement
7	539 10 57-43	Decal, No Step
8	539 11 32-24	Decal, Warning

**KEY PART
NO. NO.**

KEY PART NO.	NO.	DESCRIPTION
9	532 14 50-05	Decal, Battery Dnge/Poi
10	532 41 86-00	Decal, Pedal
11	532 19 87-85	Decal, Deck Sch
--	532 16 69-60	Decal, Bypass
--	532 43 96-81	Pad, Footrest, LH
--	532 43 96-82	Pad, Footrest, RH
--	532 44 51-44	Manual, Operator's (Eng/Span)
--	532 44 51-45	Manual, Parts (Eng/Span)

WHEELS AND TIRES



**KEY PART
NO. NO.**

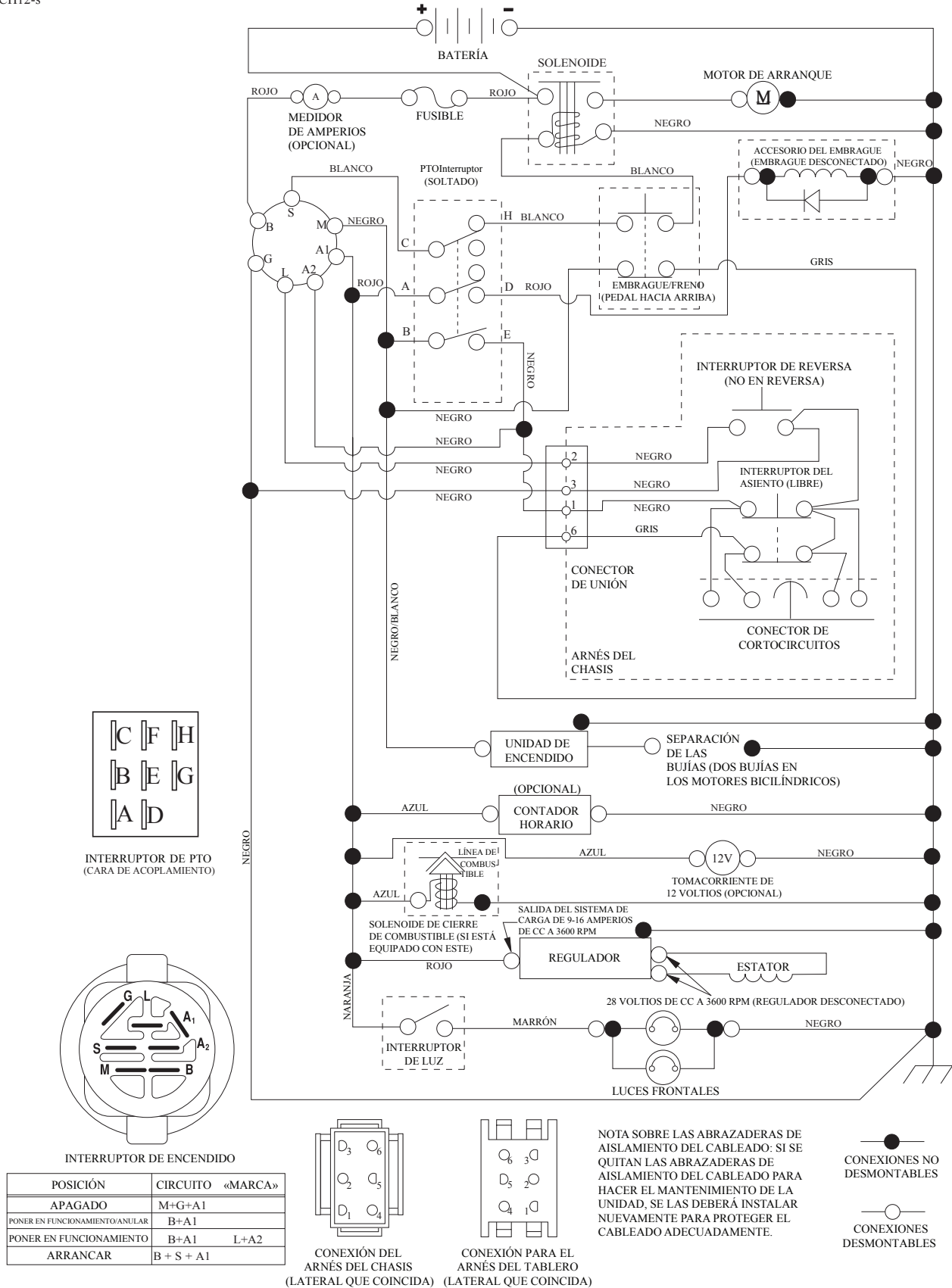
KEY PART NO.	NO.	DESCRIPTION
1	532 05 91-92	Cap Valve Tire
2	532 06 51-39	Stem Valve
3	532 14 45-09	Rim Front Service
4	532 00 81-34	Tube Front (Service Item Only)
5	532 10 62-30	Tire Front 16 x 6.5 Service
6	532 12 49-57	Fitting Grease (Front Wheel Only)
7	532 12 49-59	Bearing Flange (Front Wheel Only)
8	532 17 50-39	Cap Axle Blk 1 50 x 1 00
9	532 17 04-56	Tire R T 20 x 10-8 Service
10	532 12 49-26	Tube Rear (Service Item Only)
11	532 13 83-37	Rim Asm 8" Rear Service
--	532 14 43-34	Sealant, Tire (10 oz. Tube)

NOTE: All component dimensions given in U.S. inches
1 inch = 25.4 mm

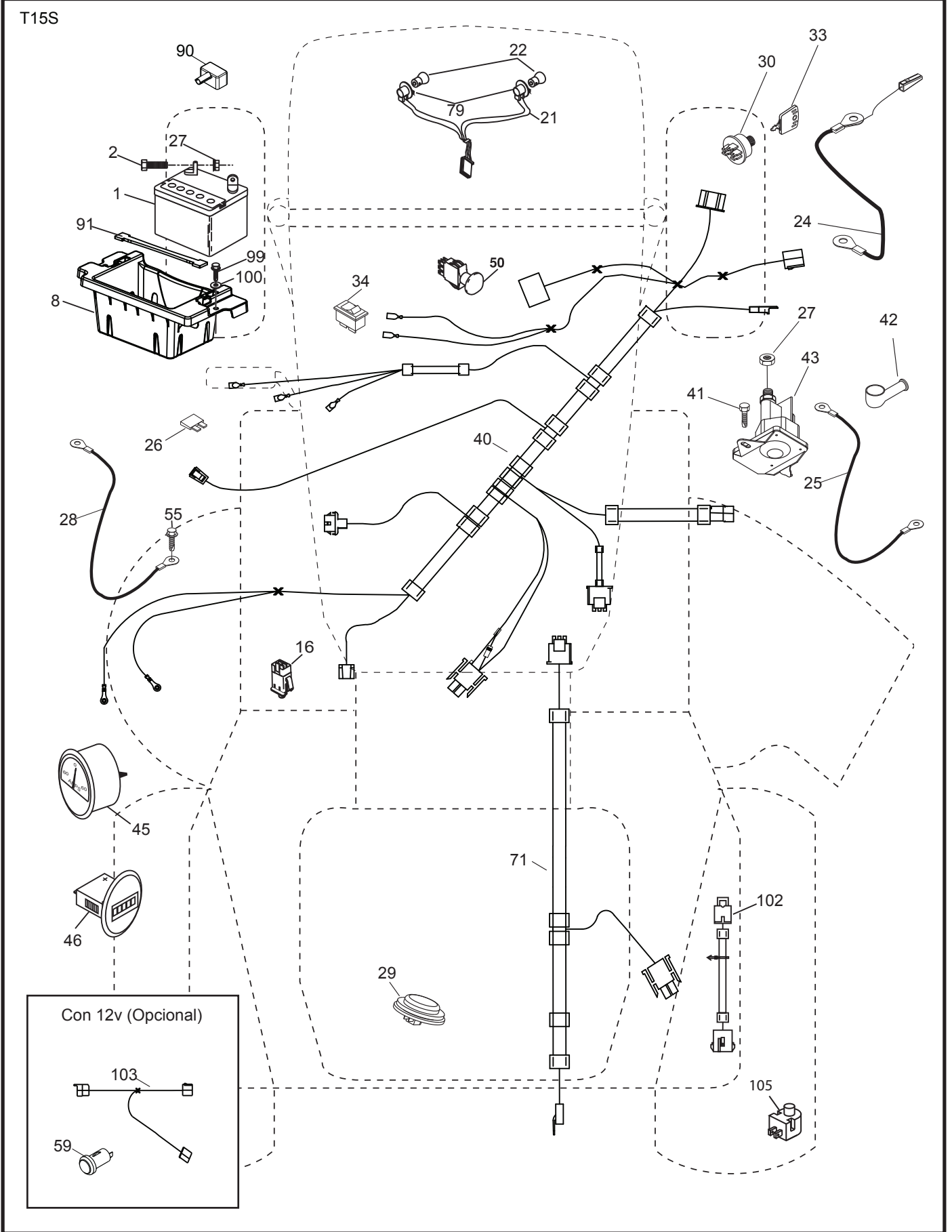
TRACTOR - MODELO NO. YTH22V42LS (96043011302), PRODUCTO NO. 9604301-13

DIAGRAMA

SCH12-s



TRACTOR - MODELO NO. YTH22V42LS (96043011302), PRODUCTO NO. 9604301-13
DIAGRAMA ELÉCTRICO

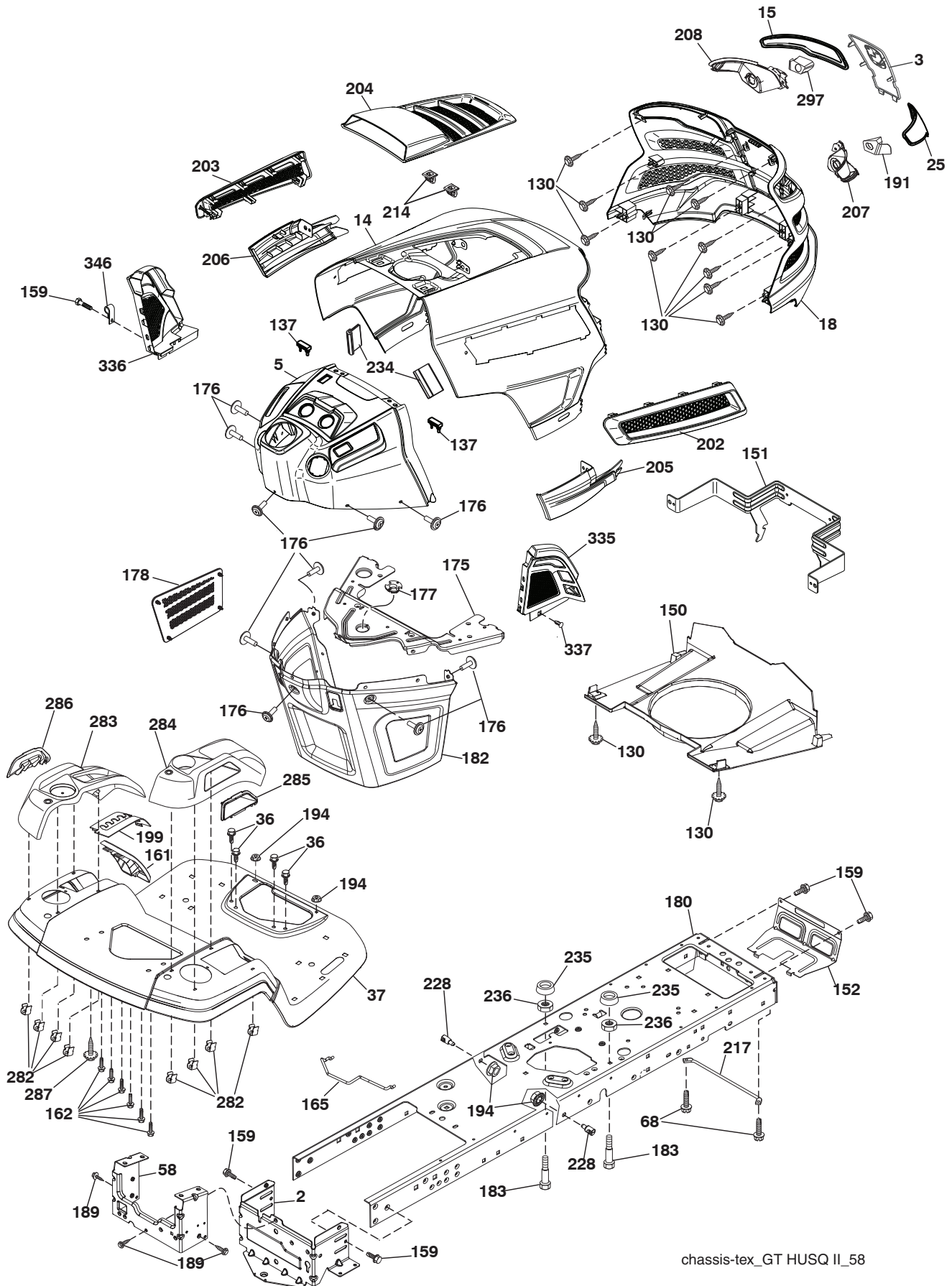


TRACTOR - MODELO NO. YTH22V42LS (96043011302), PRODUCTO NO. 9604301-13
DIAGRAMA ELÉCTRICO

CÓDIGO NO.	PIEZA NO.	DESCRIPCIÓN
1	532 16 34-65	Batería
2	874 76 04-12	Perno 1/4-20 x 3/4
8	532 18 64-91	Puerta de la caja de la batería
16	532 17 61-38	Interruptor
21	532 40 02-52	Arnés con 4152j
22	532 00 41-52	Luz
24	532 40 02-53	Cable de batería
25	532 41 28-95	Cable
26	532 17 51-58	Fusible
27	873 51 04-00	Seguridad 1/4-20 unc
28	532 14 54-91	Cable
29	532 40 15-45	Interruptor
30	532 19 33-50	Interruptor de ignición
33	532 41 19-33	Llave\cadena
34	532 11 07-12	Posición del interruptor de luz
40	532 40 21-67	Arnés
41	817 72 04-08	Tornillo 1/4-20 x 1/2
42	532 13 15-63	Cubierta
43	532 19 25-07	Solenoide
45	532 42 52-70	Amperímetro serie
46	532 42 52-71	Dispositivo de aviso de servicio
50	532 17 46-51	Interruptor pto
55	817 06 05-12	Tornillo, 5/16-18 x 3/4 tytt
59	532 40 03-03	Salida 12-v
71	532 19 42-76	Arnés de ignición
79	532 17 52-42	Enchufe de cierre por torsión del ensamble de la bombilla
90	532 43 53-95	Cubierta
91	532 19 02-70	Correa
99	817 67 04-12	Tornillo, 1/4-20 x 3/4
100	819 09 14-16	Arandela 9/32 x 7/8 x calibre 16
102	532 40 44-54	Arnés
103	532 42 17-47	Arnés 12-v
105	532 40 75-68	Interruptor

NOTA: Las dimensiones de todos los componentes están expresadas en pulgadas americanas. 1 pulgada = 25,4 mm

TRACTOR - MODELO NO. YTH22V42LS (96043011302), PRODUCTO NO. 960 43 01-13
CHASIS



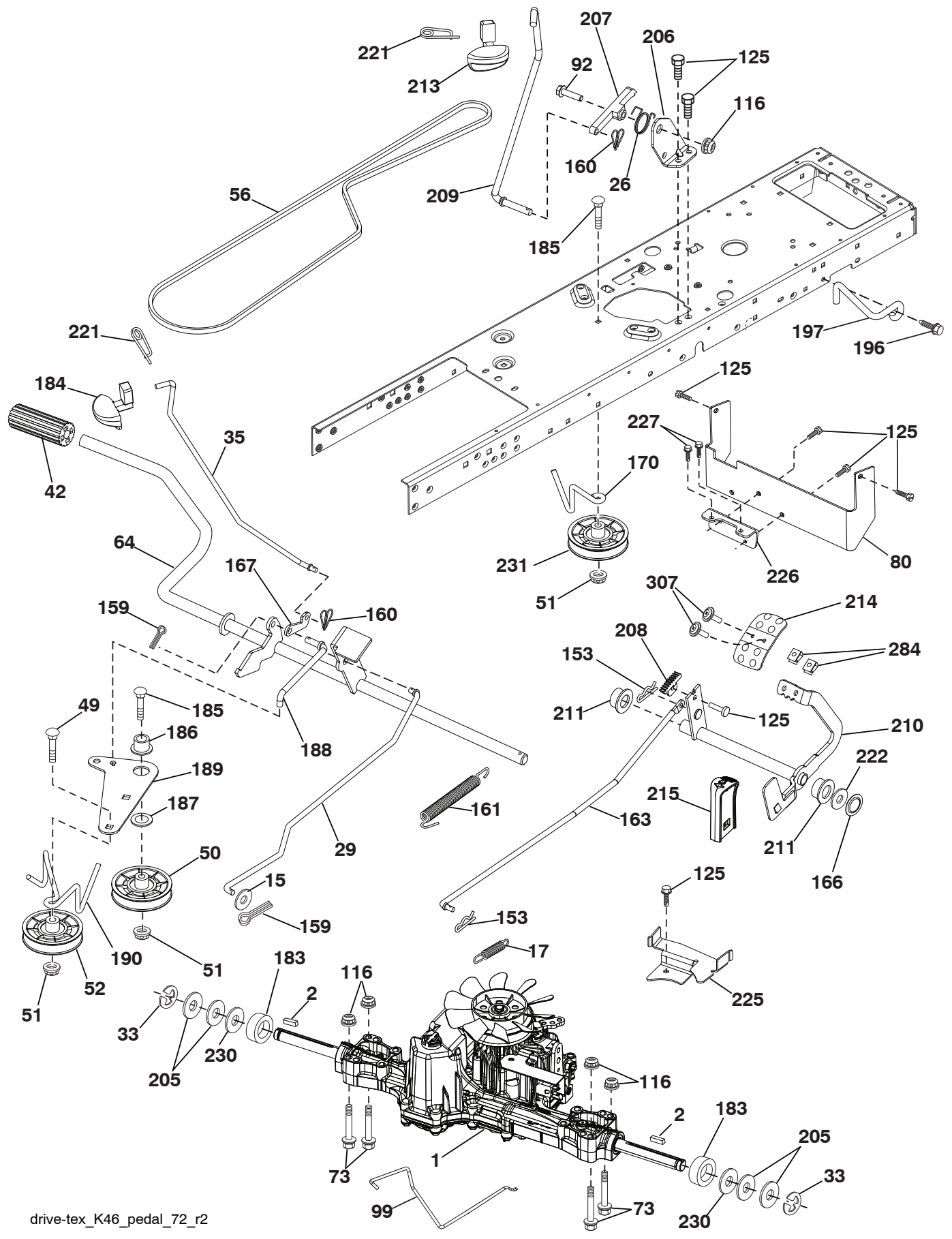
chassis-tex_GT HUSQ II_58

TRACTOR - MODELO NO. YTH22V42LS (96043011302), PRODUCTO NO. 9604301-13 CHASIS

CÓDIGO NO.	PIEZA NO.	DESCRIPCIÓN	CÓDIGO NO.	PIEZA NO.	DESCRIPCIÓN
2	532 41 22-82	Barra de enganche	199	532 41 34-85	Chapa
3	532 43 97-52	Aplica submontaje	202	532 43 97-28	Salida de ventilación ld
5	532 43 74-69	Tablero	203	532 43 97-27	Salida de ventilación li
14	532 44 11-77	Capota	204	532 43 57-14	Salida de ventilación superior
15	532 43 97-33	Lente izquierdo de la parrilla	205	532 43 97-30	Skirt hood side ld
18	532 43 77-62	Parrilla	206	532 43 97-29	Skirt hood side li
25	532 44 33-85	Lente derecho de la parrilla	207	532 43 97-34	Bezel ld
36	817 06 05-12	Tornillo 5/16-18 x 3/4	208	532 43 97-35	Bezel li
37	532 44 11-78	Guardabarros	214	532 19 91-45	Cierre
58	532 41 22-80	Barra de enganche	217	532 40 91-67	Varilla giratoria
68	817 49 05-08	Tornillo 5/16-18 x 1/2	228	532 19 51-61	Sujetador del travesaño
130	532 41 63-58	Tornillo #10 x 0.750	234	532 40 47-42	Cubierta Capota
137	532 40 75-90	Cubierta tablero	235	532 40 61-29	Separador del guardabarros
150	532 43 97-74	Cubierta térmica del conducto	236	873 93 05-00	Tuerca 5/16-18 unc
151	532 43 66-70	Soporte	282	532 41 41-10	Cierre
152	532 43 98-70	Protector contra oscurecimiento	283	532 43 98-61	Ensamble de la consola de la Plataforma de elevación
159	817 00 06-12	Tornillo 3/8-16 x 3/4	284	532 43 98-23	Ensamble de la consola
161	532 43 97-81	Ventana	285	532 41 63-15	Parrilla consola ld
162	532 14 24-32	Tornillo	286	532 41 63-17	Parrilla consola li
165	532 19 43-30	Soporte	287	817 60 04-06	Tornillo 1/4-20 x 3/8
175	532 19 63-04	Travesaño	297	532 43 74-56	Parrilla reflector li
176	532 40 07-76	Tornillo 10-24 x 5/8	335	532 43 98-47	Cubierta LD
177	532 19 52-27	Buje de dirección	336	532 44 53-09	Cubierta LI
178	532 19 97-82	Carga la asamblea neta	337	532 43 81-37	Clip del árbol de navidad
180	532 19 42-60	Chasis	346	532 12 64-71	Clip del aislador
182	532 40 68-59	Tablero inferior	- -	532 42 49-18	Protección
183	874 52 05-20	Perno 5/16-18 x 1-1/4			
189	817 00 05-12	Tornillo 5/16-18 x 3/4			
191	532 43 74-55	Parrilla reflector ld			
194	873 90 05-00	Tuerca 5/16-18			

NOTA: Las dimensiones de todos los componentes están expresadas en pulgadas americanas. 1 pulgada = 25,4 mm

TRACTOR - MODELO NO. YTH22V42LS (96043011302), PRODUCTO NO. 960 43 01-13
TRANSMISIÓN



drive-tex_K46_pedal_72_r2

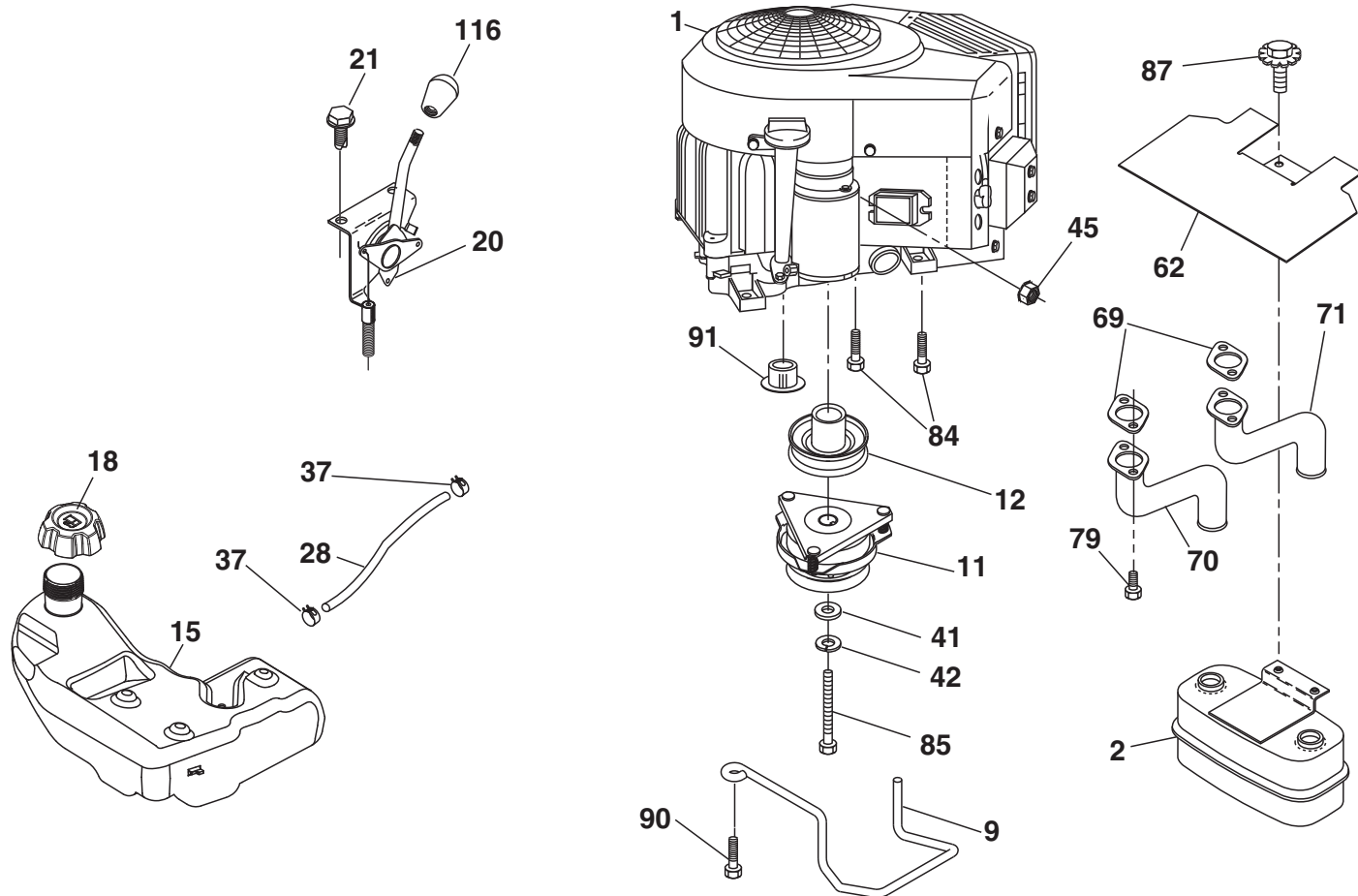
TRACTOR - MODELO NO. YTH22V42LS (96043011302), PRODUCTO NO. 9604301-13

TRANSMISIÓN

CÓDIGO NO.	PIEZA NO.	DESCRIPCIÓN	CÓDIGO NO.	PIEZA NO.	DESCRIPCIÓN
1	---	Transeje, TUFFTORQ K46BT (426120) (Haga el pedido de las piezas al fabricante del transeje)	187	819 13 32-10	Arandela
2	532 12 35-83	Cuña	188	532 19 43-23	Mecanismo de desplazamiento de la varilla de mando del embrague
15	819 13 13-16	Arandela 13/32 x 13/16 x calibre 16	189	532 19 43-17	Palanca acodada del mecanismo de desplazamiento
17	532 41 36-78	Resorte de freno	190	532 19 43-18	Sujetador de la palanca acodada del mecanismo de desplazamiento
26	532 19 96-79	Crucero con retorno de muelle	196	817 00 06-16	Tornillo 3/8-16 x 1
29	532 40 38-06	Varilla del freno	197	532 19 58-04	Soporte
33	812 00 00-01	Aro e	205	532 12 17-48	Arandela
35	532 43 54-86	Varilla del freno de mano	206	532 19 78-67	Soporte
42	532 12 48-72	Cubierta del pedal	207	532 19 78-68	Bloqueo del control del crucero
49	872 11 06-14	Perno	208	532 19 78-69	Engranaje del sector de control del crucero
50	532 19 43-27	Polea loca plana	209	532 19 95-92	Varilla de control del crucero
51	873 90 06-00	Tuerca 3/8-16	210	532 40 09-80	Ensamble del balancín del control del pedal
52	532 19 43-26	Polea loca con ranura en v con un desplazamiento de 910" (23 m)	211	532 12 01-83	Rodamiento de nylon
56	532 13 09-69	Correa trapezoidal de la transmisión	213	532 40 31-19	Perilla de control del crucero
64	532 19 78-65	Ensamble del eje control del pedal de freno	214	532 41 68-63	Forro del pedal para avanzar
73	874 49 05-40	Perno 5/16-18 x 2.1/2 G5	215	532 40 17-23	Forro del pedal para retroceder
80	532 44 06-19	Soporte de la correa de torsión	221	532 40 31-87	Abrazadera de retención del resorte de la manija
92	874 76 05-20	Perno 5/16-18 unc x 1.25	222	879 21 20-10	Arandela 21/32 x 1-1/4 x calibre 10
99	532 41 57-42	Varilla	225	532 40 33-19	Ensamble del sujetador de la correa del motor
116	873 90 05-00	Tuerca 5/16-18	226	532 40 15-64	Soporte
125	817 00 05-12	Tornillo 5/16-18 x 3/4	227	817 49 05-12	Tornillo 5/16-18 x 3/4
153	532 12 47-88	Retainer spring	227	817 49 05-12	Tornillo 5/16-18 x 3/4
159	876 02 04-12	Pin cotter 1/8 x 3/4	230	532 18 89-67	Arandela
160	532 16 94-84	Retainer clip	231	532 40 72-87	Idler Groove
161	532 10 57-09	Spring, return, clutch	284	532 41 76-93	Tuerca 1/4-20 550dp .350 Pnl
163	532 40 10-34	Rod pedal control	307	874 18 04-12	Tornillo 1/4-20
166	532 42 91-64	Tuerca			
167	532 40 52-57	Pestillo del freno de mano			
170	532 41 34-30	Sujetador de la correa central			
183	532 13 70-57	Espaciador			
184	532 44 14-55	Manija del freno de mano			
185	872 11 06-22	Perno 3/8-16 x 2-3/4 gr. 5			
186	532 19 43-21	Espaciador de retención			

NOTA: Las dimensiones de todos los componentes están expresadas en pulgadas americanas. 1 pulgada = 25,4 mm

**TRACTOR - MODELO NO. YTH22V42LS (96043011302), PRODUCTO NO. 9604301-13
MOTOR**



29

SPARK ARRESTER KIT

engine-tex_bs-2cyl_22

EQUIPO APAGACHISPAS

TRACTOR - MODELO NO. YTH22V42LS (96043011302), PRODUCTO NO. 9604301-13 MOTOR

CÓDIGO NO.	PIEZA NO.	DESCRIPCIÓN
1	— — — — —	Motor Briggs & Stratton modelo No. 40H777-2421-G1 (438218) (Haga el pedido de las piezas al fabricante del motor)
2	532 14 97-23	Silenciador
9	532 19 43-20	Ensamble del sujetador de la correa del motor
11	532 40 00-08	Embrague
12	532 40 50-97	Polea del motor
15	532 43 80-80	Tanque de combustible
18	532 43 92-08	Ensamble de la tapa
20	532 42 43-40	Control del regulador/obturador
21	532 41 63-58	Tornillo #10 x .750
28	532 40 11-35	Línea de combustible
29	532 13 71-80	Equipo apagachispas
37	532 12 34-87	Abrazadera de la manguera
41	532 12 61-97	Arandela 1-1/2 OD x 15/32 ID x .250
42	810 04 07-00	Arandela 7/16
45	873 51 04-00	Tuerca 1/4-20 unc
62	532 43 40-17	Silenciador con pantalla térmica
69	532 16 53-91	Junta
70	532 15 99-55	Tubo de escape izquierdo
71	532 16 05-89	Tubo de escape derecho
79	532 18 39-06	Tornillo 5/16-18 x1
84	817 06 06-20	Tornillo 3/8-16 x 1-1/4
85	532 17 39-37	Perno 7/16-20 x 4 x Gr. 5-1.5 Thr
87	537 17 18-77	Perno 5/16-18 unc x 3/4 w/Sems
90	817 00 06-16	Tornillo 3/8-16 x 1
91	532 18 74-95	Buje
116	539 13 26-24	Perilla

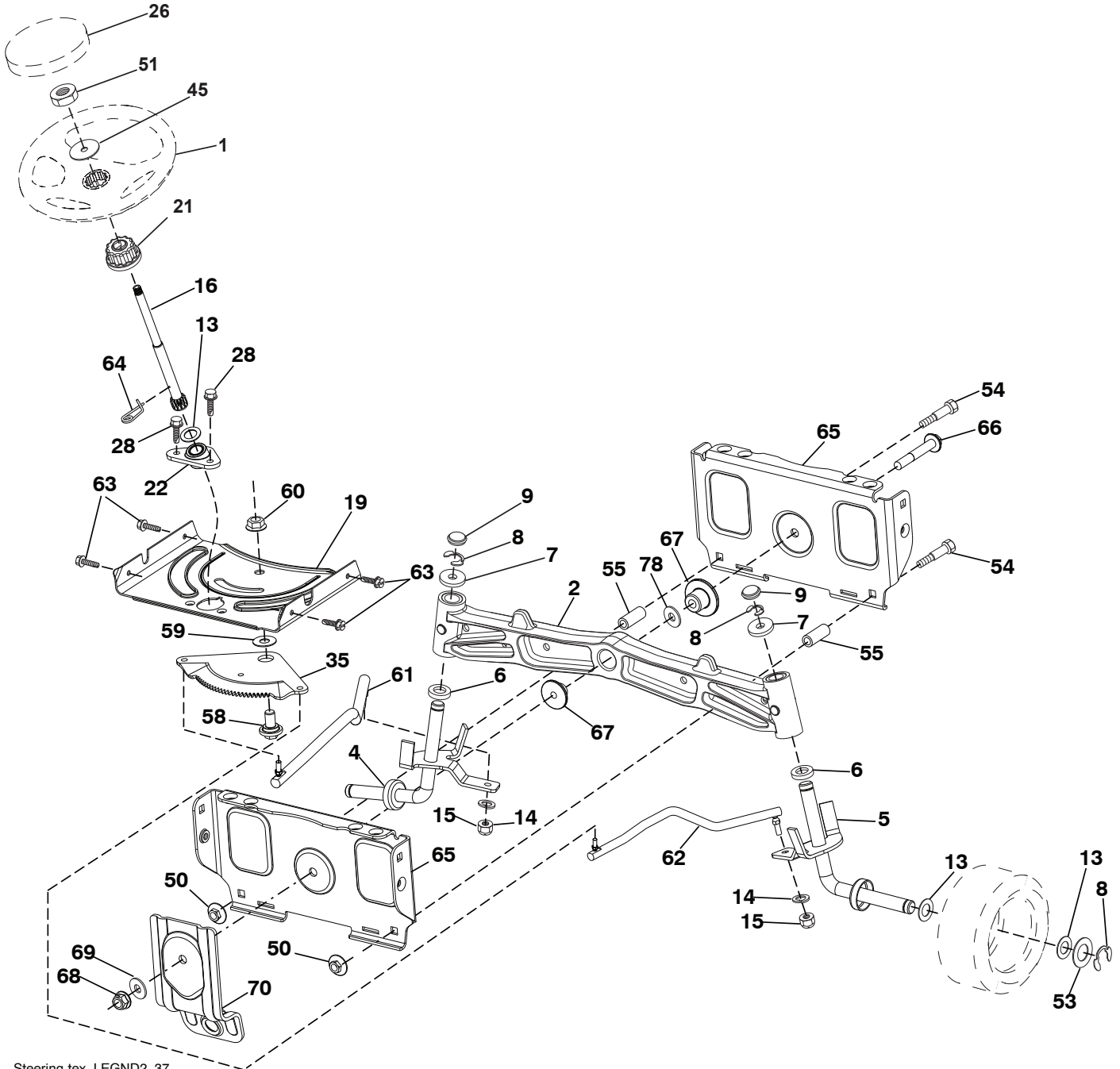
NOTA: Las dimensiones de todos los componentes están expresadas en pulgadas americanas. 1 pulgada = 25,4 mm

Para el servicio de motor y repuestos, llame el número de llamada gratuita para su fabricante de motor listó abajo:
Briggs & Stratton 1-800-233-3723

Información de Clasificación de Potencia del Motor

La clasificación de potencia para un modelo de motor a gas en particular se designa de acuerdo al código J1940 de SAE (Sociedad de Ingenieros Automotrices) (Procedimiento de Clasificación de Potencia & Torque del Motor Pequeño), y la clasificación de desempeño ha sido obtenida y corregida de acuerdo con el código J1995 de SAE (Revisión 2002-05). Los valores de torque se obtienen a 3060 RPM; los valores de potencia se obtienen a 3600 RPM. La potencia bruta actual del motor será inferior y está afectada, entre otras cosas, por las condiciones ambientales operativas y la variabilidad de motor a motor. Dado ambos un amplio conjunto de productos en los cuales son puestos nuestros motores, y la variedad de emisiones ambientales aplicables al operar el equipo, el motor a gas no desarrollará la potencia nominal cuando sea usado en una parte del equipo acoplado (potencia real "en el-sitio" o potencia neta). Esta diferencia se debe a una variedad de factores que incluyen, pero que no están limitados a, accesorios (filtro de aire, sistema de escape, sistema de carga, sistema de enfriamiento, carburador, bomba de combustible, etc.) limitaciones de la aplicación, condiciones ambientales de operación (temperatura, humedad, altitud), y la variabilidad de motor a motor. Debido a las limitaciones, Briggs & Stratton puede sustituir este motor con clasificación de potencia más alta por esta serie de motor.

TRACTOR - MODELO NO. YTH22V42LS (96043011302), PRODUCTO NO. 9604301-13
ENSAMBLE DE LA DIRECCIÓN



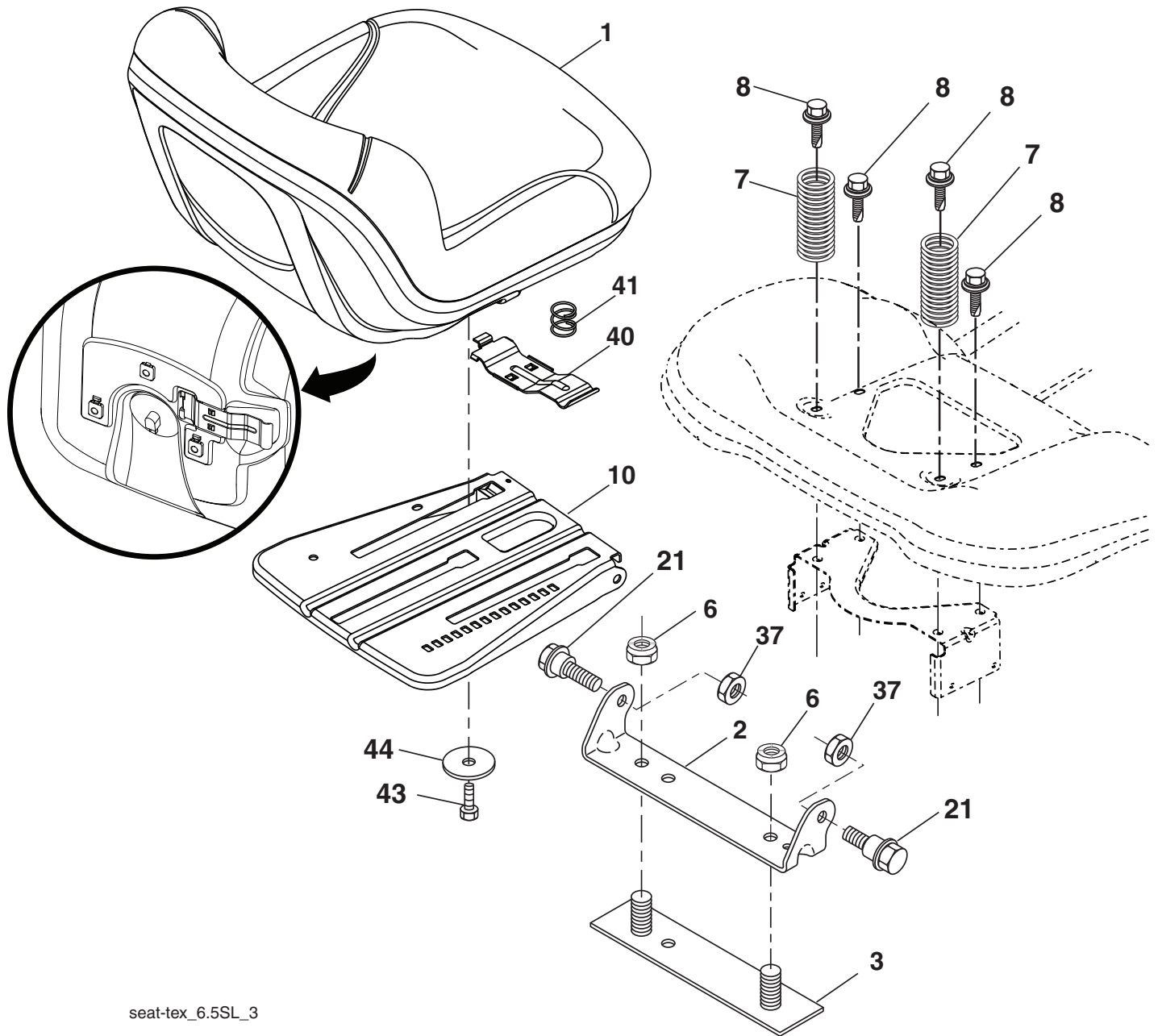
Steering-tex_LEGND2_37

**TRACTOR - MODELO NO. YTH22V42LS (96043011302), PRODUCTO NO. 9604301-13
ENSAMBLE DE LA DIRECCIÓN**

CÓDIGO NO.	PIEZA NO.	DESCRIPCIÓN
1	532 43 97-40	Volante de dirección
2	532 19 59-68	Ensamble del eje delantero
4	532 40 30-89	Ensamble del husillo izquierdo
5	532 40 30-90	Ensamble del husillo derecho
6	532 12 49-31	Beju
7	532 12 17-48	Arandela 25/32 x 1-5/8 x calibre 16
8	812 00 00-29	Abrazadera del aro No. T5304-75
9	532 12 12-32	Tapa del husillo
13	532 12 17-49	Arandela 25/32 x 1-1/4 x calibre 16
14	810 04 06-00	Arandela 3/8
15	873 54 06-00	Tuerca 3/8-24 unf
16	532 40 82-19	Eje de dirección
19	532 19 47-29	Placa de dirección
21	532 18 67-37	Adaptador del volante de dirección
22	532 42 05-37	Soporte
26	532 43 97-43	Inserto del volante de dirección
28	817 00 06-12	Tornillo 3/8-16 x 3/4
35	532 19 47-32	Engranaje del sector de la placa
45	819 18 38-12	Arandela 9/16 ID x 2-3/8 OD calibre 12
50	873 90 06-00	Tuerca 3/8-16 unc
51	873 94 08-00	Tuerca 1/2-20 unf
53	532 18 89-67	Arandela .793 x 1.637 x .060
54	874 76 06-36	Perno 3/8-16 x 2-1/4
55	532 41 47-36	Soporte
58	532 19 47-47	Perno
59	532 19 47-48	Arandela
60	873 97 10-00	Tuerca 5/8-11
61	532 19 47-40	Barra de acoplamiento izquierda
62	532 19 47-41	Barra de acoplamiento derecha
63	817 00 05-12	Tornillo 5/16-18 x 3/4
64	532 19 98-49	Abrazadera de retención del resorte de la dirección
65	532 19 47-34	Soporte
66	871 02 07-48	Perno 7/16-14 x 3 Serr
67	532 19 47-37	Beju
68	873 90 07-00	Tuerca 7/16-14 Gr. 5
69	532 19 91-62	Arandela 1.5 x .505 x .118
70	532 19 61-97	Soporte de la plataforma delantera
78	532 05 70-79	Arandela

NOTA: Las dimensiones de todos los componentes están expresadas en pulgadas americanas. 1 pulgada = 25,4 mm

TRACTOR - MODELO NO. YTH22V42LS (96043011302), PRODUCTO NO. 9604301-13
ENSAMBLE DEL ASIENTO



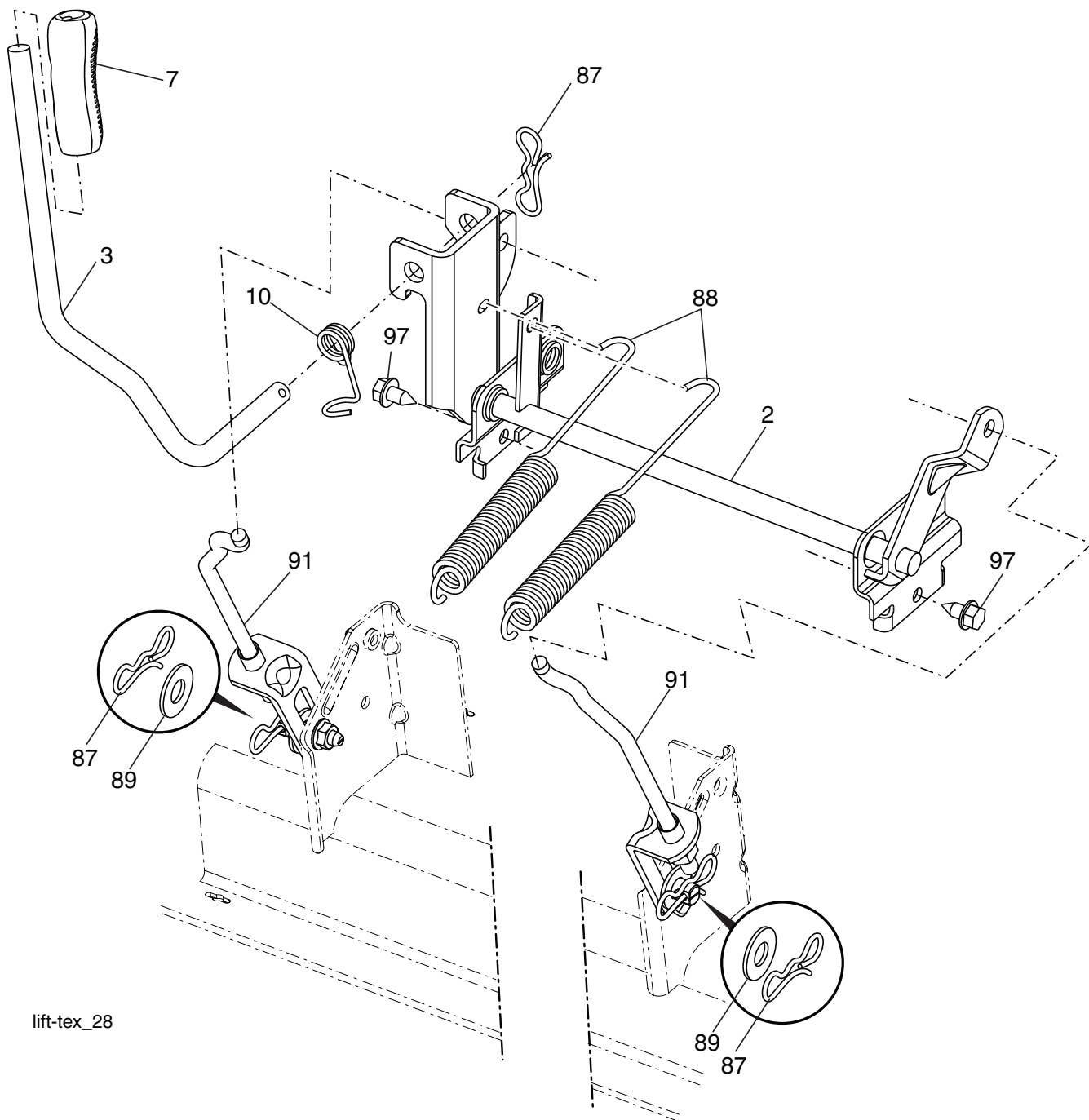
seat-tex_6.5SL_3

CÓDIGO NO.	PIEZA NO.	DESCRIPCIÓN
1	532 43 98-22	Asiento
2	532 18 01-66	Soporte pivotante del guardabarros
3	532 14 06-75	Conector del ensamble del guardabarros
6	873 80 06-00	Tuerca 3/8-16 unc
7	532 12 41-81	Resorte del asiento
8	532 17 18-77	Perno de 5/16" UNC x 3/4"
10	532 19 69-77	Bandeja del asiento
21	532 17 18-52	Perno de tope de 5/16-18

CÓDIGO NO.	PIEZA NO.	DESCRIPCIÓN
37	873 80 05-00	Tuerca 5/16-18 unc
40	532 43 98-71	Manija para deslizar el asiento
41	532 19 82-00	Resorte para trabar el asiento
43	874 76 06-12	Perno de cabeza hexagonal con aleta de 3/8-16 UNC x 3/4
44	819 13 38-12	Arandela 13/32 x 2-3/8 x calibre 12

NOTA: Las dimensiones de todos los componentes están expresadas en pulgadas americanas. 1 pulgada = 25,4 mm

TRACTOR - MODELO NO. YTH22V42LS (96043011302), PRODUCTO NO. 9604301-13
ELEVACIÓN DE LA CORTADORA DE CÉSPED



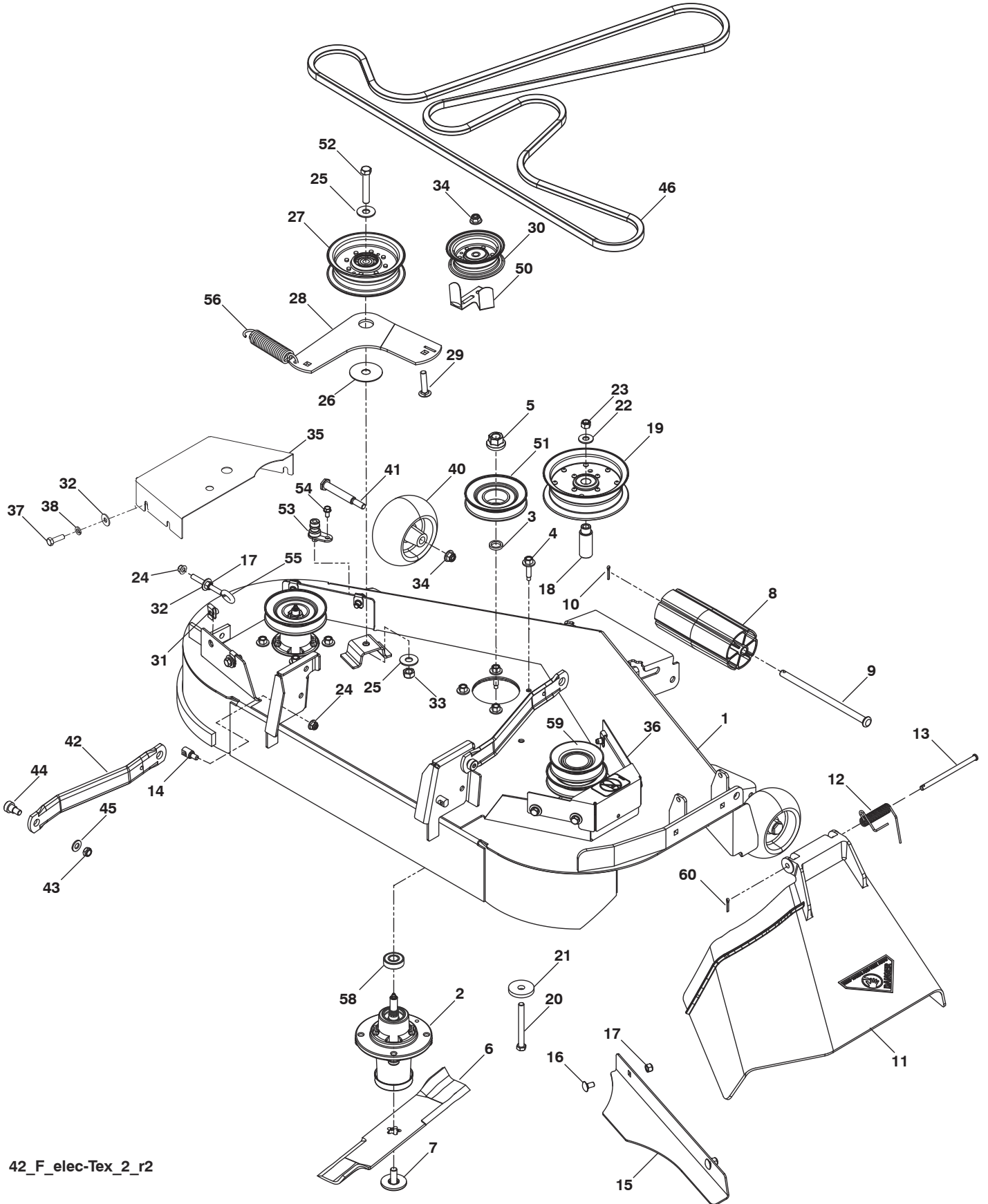
lift-tex_28

CÓDIGO NO.	PIEZA NO.	DESCRIPCIÓN
2	532 42 20-27	Ensamble del eje de la elevación
3	532 19 52-31	Ensamble de la palanca de elevación derecha
7	532 41 15-55	Mango de la palanca
10	532 19 63-14	Resorte de torsión
87	532 19 42-09	Pasador de chaveta de 7/16 con bloqueo en forma de mariposa
88	532 41 07-10	Resorte de ayuda de la elevación

CÓDIGO NO.	PIEZA NO.	DESCRIPCIÓN
89	819 19 19-12	Arandela de zinc transparente
91	532 40 34-07	Ensamble del acoplamiento Elevación trasera
97	817 00 06-12	Tornillo 3/8-16 x 3/4

NOTA: Las dimensiones de todos los componentes están expresadas en pulgadas americanas. 1 pulgada = 25,4 mm

TRACTOR - MODELONO. YTH22V42LS (96043011302), PRODUCTO NO. 9604301-13
PLATAFORMA DE LA CORTADORA DE CÉSPED



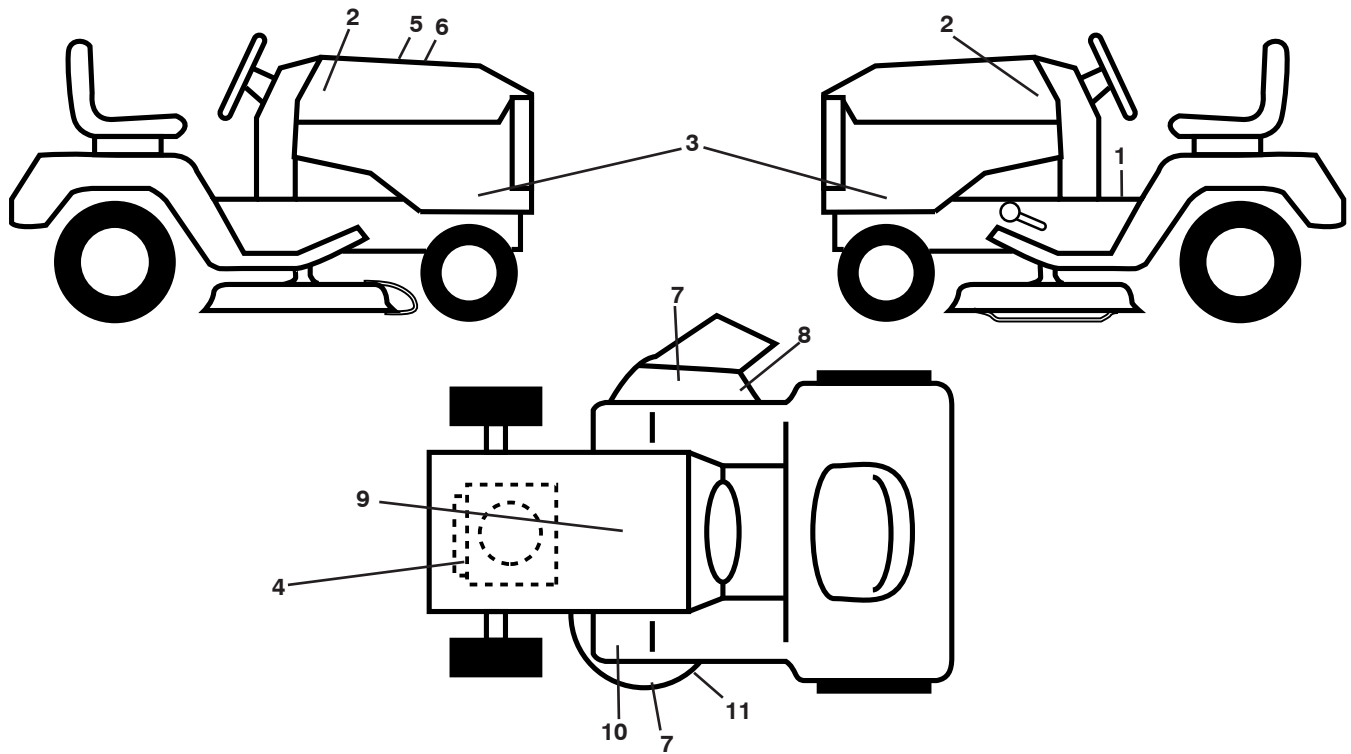
42_F_elec-TEX_2_r2

**TRACTOR - MODELO NO. YTH22V42LS (96043011302), PRODUCTO NO. 9604301-13
PLATAFORMA DE LA CORTADORA DE CÉSPED**

CÓDIGO NO.	PIEZA NO.	DESCRIPCIÓN	CÓDIGO NO.	PIEZA NO.	DESCRIPCIÓN
1	575 43 80-01	Carcasa de la cortadora de césped - 42"	31	539 10 47-63	Retainer 5/16c U Type
2	539 11 21-70	Carcasa de la cortadora de césped	32	539 99 06-92	Arandela 5/16
3	532 18 76-90	Arandela	33	539 13 20-19	Tuerca 7/16-14
4	539 10 76-30	Tornillo	34	521 99 65-01	Tuerca 3/8-16
5	532 40 02-34	Tuerca	35	575 22 47-01	Cubierta izquierda del mandril
6	539 11 20-78	Cuchilla de la cortadora de césped 14-5/8"	36	575 96 71-01	Cubierta derecha del mandril
7	532 19 30-03	Perno 7/16	37	539 99 02-09	Perno 5/16-18 x 1 Ga. 5
8	532 17 60-66	Mida la rueda	38	539 99 01-87	Arandela 5/16
9	532 17 91-27	Varilla de la bisagra	40	539 10 76-10	Mida la rueda
10	539 19 42-08	Retorno del resorte	41	532 19 34-06	Perno
11	532 11 07-31	Protector del deflector - 42"	42	532 19 51-85	Brazo de la suspensión
12	532 11 07-35	Resorte de torsión	43	539 20 02-82	Tuerca 3/8-16
13	532 11 07-36	Perno 5/16 x 5.19	44	539 11 36-21	Perno 3/8-16 x 3/8
14	532 19 51-61	Perno	45	539 99 01-22	Arandela 3/8
15	539 11 24-12	Placa	46	574 84 56-01	Correa trapezoidal
16	539 99 07-99	Perno 5/16-18 x 5/8 Gr. 5	50	575 22 43-01	Protector
17	539 99 07-17	Tuerca 5/16-18	51	575 22 44-01	Polea del mandril
18	575 22 45-01	Beju	52	539 10 48-70	Perno 7/16-14 x 2-1/2 Ga. 5
19	539 13 27-28	Polea loca	53	532 41 55-98	Puerto De Lavado De La Cubierta
20	539 10 82-71	Perno 3/8-16 x 3-1/2 Ga. 5	54	539 10 84-61	Perno 1/4-20 x 1/2
21	539 10 65-04	Arandela	55	539 11 55-74	Perno 5/16 x 3-1/2
22	539 99 05-17	Arandela 3/8	56	539 10 68-50	Retorno del resorte
23	539 97 69-79	Tuerca 3/8-16	58	539 11 20-50	Beju
24	539 11 28-99	Tuerca 5/16-18	59	575 41 62-01	Polea
25	539 10 48-64	Arandela 7/16	60	532 16 94-84	Retorno del resorte
26	532 17 85-15	Arandela	--	574 79 24-01	Reemplazo de la cortadora de césped, completa
27	532 19 61-04	Polea loca			
28	574 82 71-01	Brazo de la suspensión			
29	539 99 09-23	Perno 3/8-16 x 1-3/4 Ga. 5			
30	532 17 79-68	Polea loca			

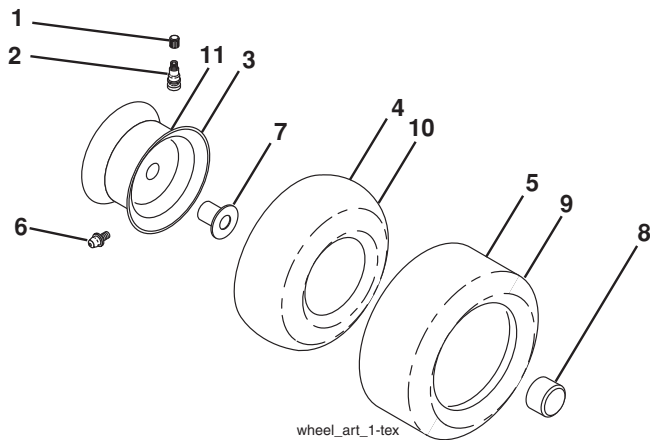
NOTA: Las dimensiones de todos los componentes están expresadas en pulgadas americanas. 1 pulgada = 25,4 mm

**TRACTOR - MODELO NO. YTH22V42LS (96043011302), PRODUCTO NO. 960 43 01-13
CALCOMANÍAS**



CÓDIGO NO.	PIEZA NO.	DESCRIPCIÓN	CÓDIGO NO.	PIEZA NO.	DESCRIPCIÓN
1	532 41 16-57	Calcomanía para el guardabarros del operador	9	532 14 50-05	Calcomanía de Peligro/Punto de interconexión
2	532 42 91-96	Calcomanía para el insignia	10	532 41 86-00	Calcomanía de pedal
3	532 43 86-66	Calcomanía para el panel lateral	11	532 19 87-85	Calcomanía diagrama de la cubierta
4	532 43 29-14	Calcomanía para el Motor	--	532 16 69-60	Calcomanía para la desviación
5	532 42 38-29	Calcomanía del cliente	--	532 43 96-81	Fofo del apoyo para los pies (LD)
6	532 43 84-74	Calcomanía de reemplazo	--	532 43 96-82	Fofo del apoyo para los pies (LI)
7	539 10 57-43	Calcomanía ningún n paso	--	532 44 51-44	Manual del Operario (Inglés /Español)
8	539 11 32-24	Calcomanía de Equipo	--	532 44 51-45	Manual de Repuestos (Inglés /Español)

RUEDAS Y NEUMÁTICOS



CÓDIGO NO.	PIEZA NO.	DESCRIPCIÓN
1	532 05 91-92	Tapa de la válvula del neumático
2	532 06 51-39	Vástago de la válvula
3	532 14 45-09	Ensamble de las llantas delanteras
4	532 00 81-34	Cámara delantera
5	532 10 62-30	Neumático delantero 15 x 6.00-6
6	532 12 49-57	Accesorio para engrasar (solo para la rueda delantera)
7	532 12 49-59	Rodamiento de la brida (solo para la rueda delantera)
8	532 17 50-39	Tapa del eje 1 50 x 1 00
9	532 17 04-56	Neumático trasero 30 x 10.00-8
10	532 12 49-26	Cámaratrasera (Mantenimientosólo)
11	532 13 83-37	Ensamble trasero de la llanta
--	532 14 43-34	Sellador para neumáticos (tubo de 10 onzas [283 gr])

NOTA: Las dimensiones de todos los componentes están expresadas en pulgadas americanas. 1 pulgada = 25,4 mm

SERVICE NOTES/AVISO
