

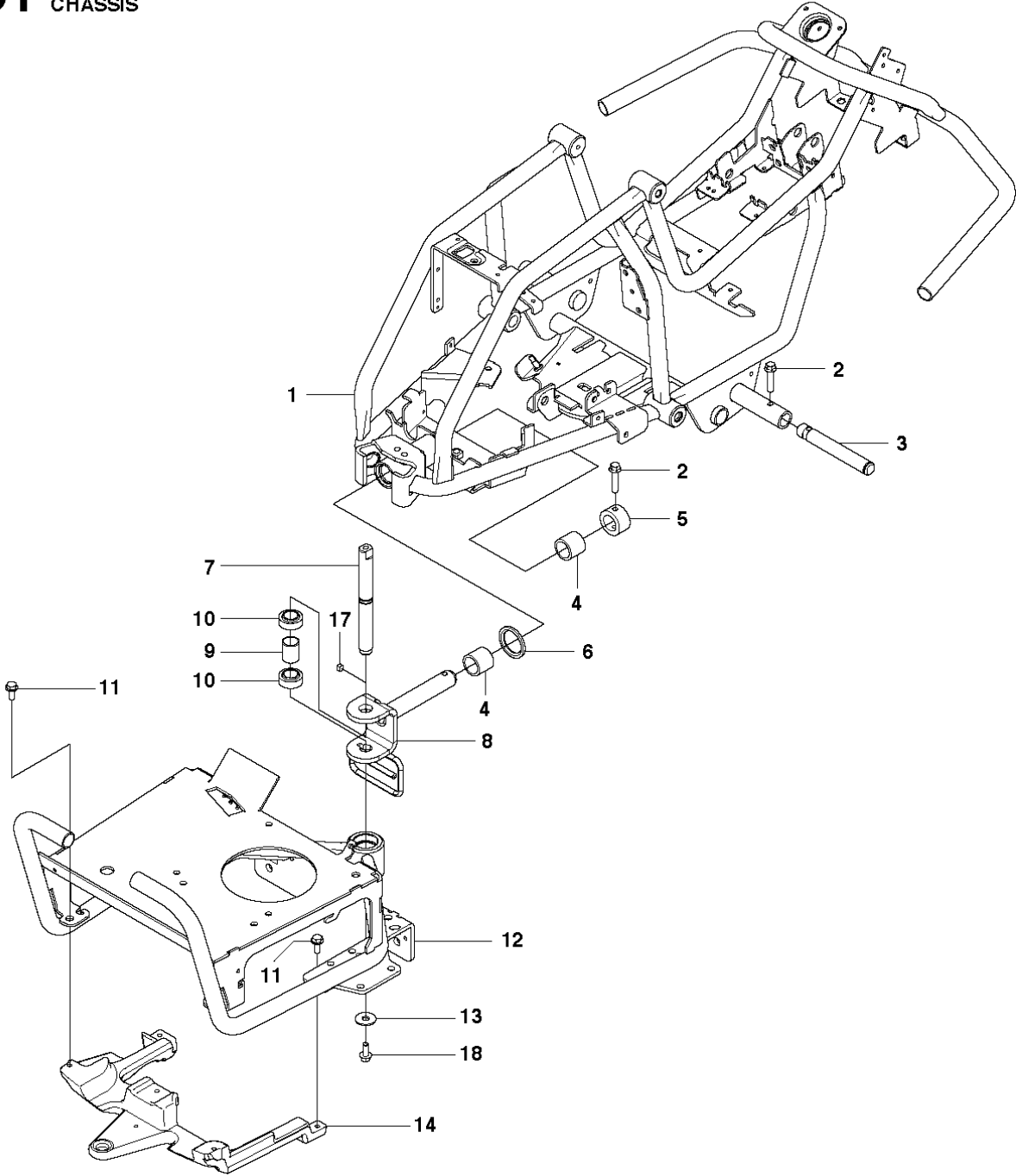


# SPARE PARTS LIST

## RIDERS

RIDER 111 B5, 965996701, 965996785,  
966663085, 967186401, 2011-02

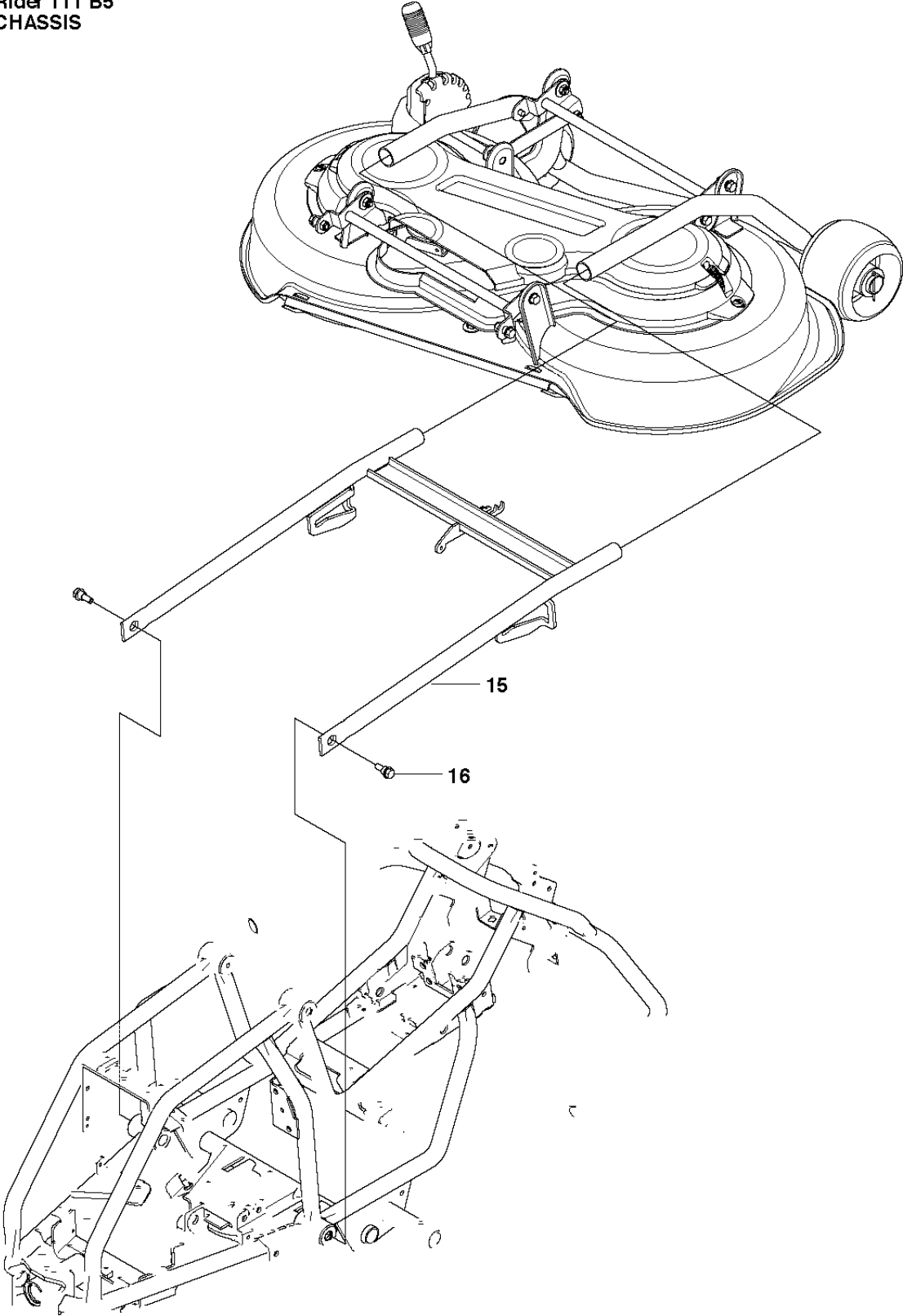
**C1** Rider 111 B5  
CHASSIS



CHASSIS & ENCLOSURES RIDER 111 B5, 965996701, 965996785, 966663085, 967186401, 2011-02

Ref	Part No	Description	Remark	QTY KIT
1	522 41 61-01	FRAME		1
2	725 24 59-61	SCREW EHHFT		3
3	535 47 08-01	WHEEL AXLE		2
4	506 98 61-01	GLIDLAGER		2
5	522 42 52-01	STOP SLEEVE		1
6	522 42 53-01	SPACER		1
7	577 67 48-01	SHAFT		1
8	577 70 50-01	SWING AXLE		1
9	522 42 45-01	SLEEVE		1
10	574 36 85-01	BEARING		2
11	506 57 01-04	SCREW EHHFM		4
12	522 42 31-01	FRAME		1
13	544 22 16-01	WASHER		1
14	525 35 23-01	COUNTERWEIGHT		1
17	577 70 89-01	KEY		1
18	577 21 65-01	SCREW		1

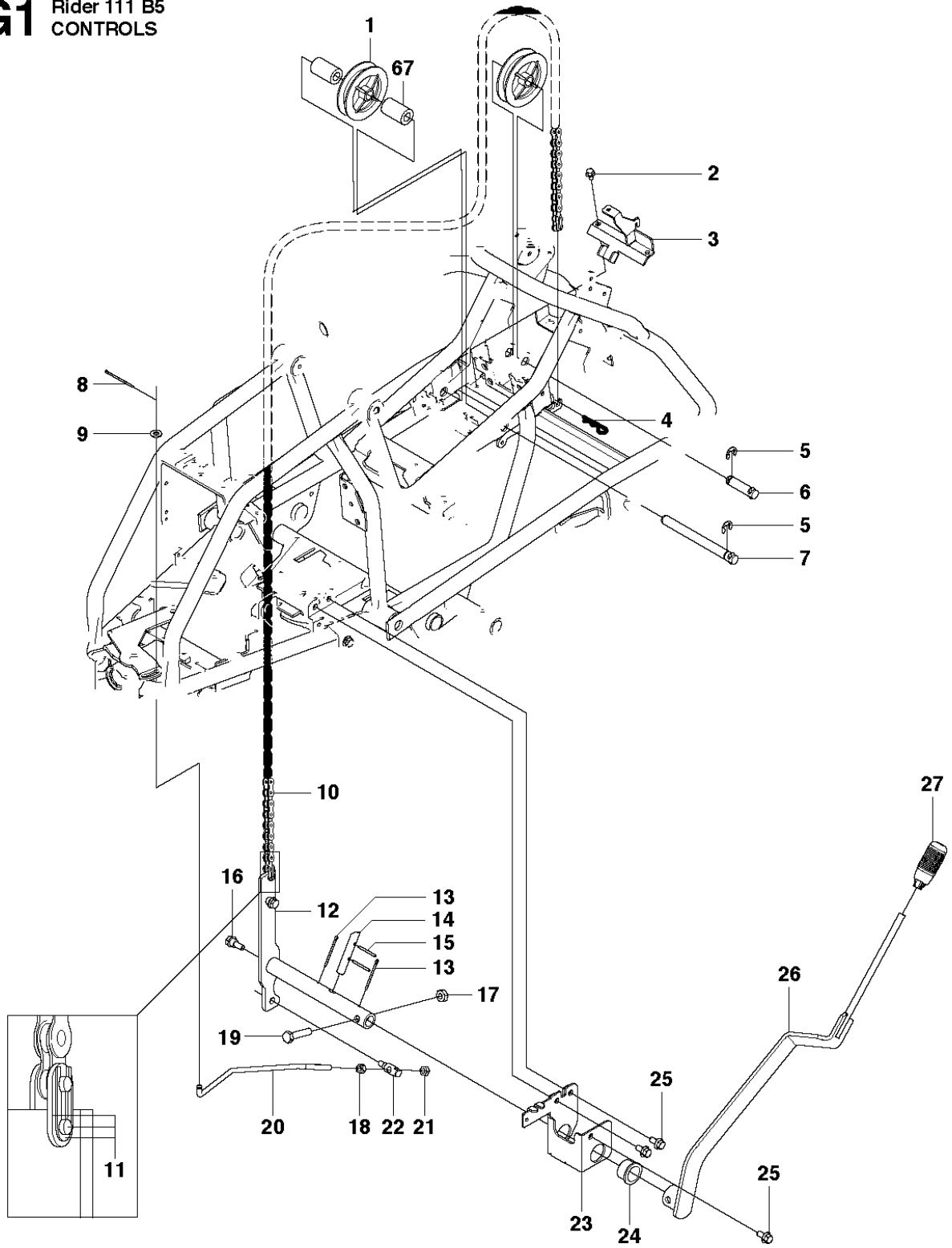
**C2** Rider 111 B5  
CHASSIS



CHASSIS & ENCLOSURES RIDER 111 B5, 965996701, 965996785, 966663085, 967186401, 2011-02

Ref	Part No	Description	Remark	QTY KIT
15	522 45 15-01	EQUIPMENT FRAME		1
16	506 89 58-01	COLLAR SCREW		2

**G1** Rider 111 B5  
CONTROLS

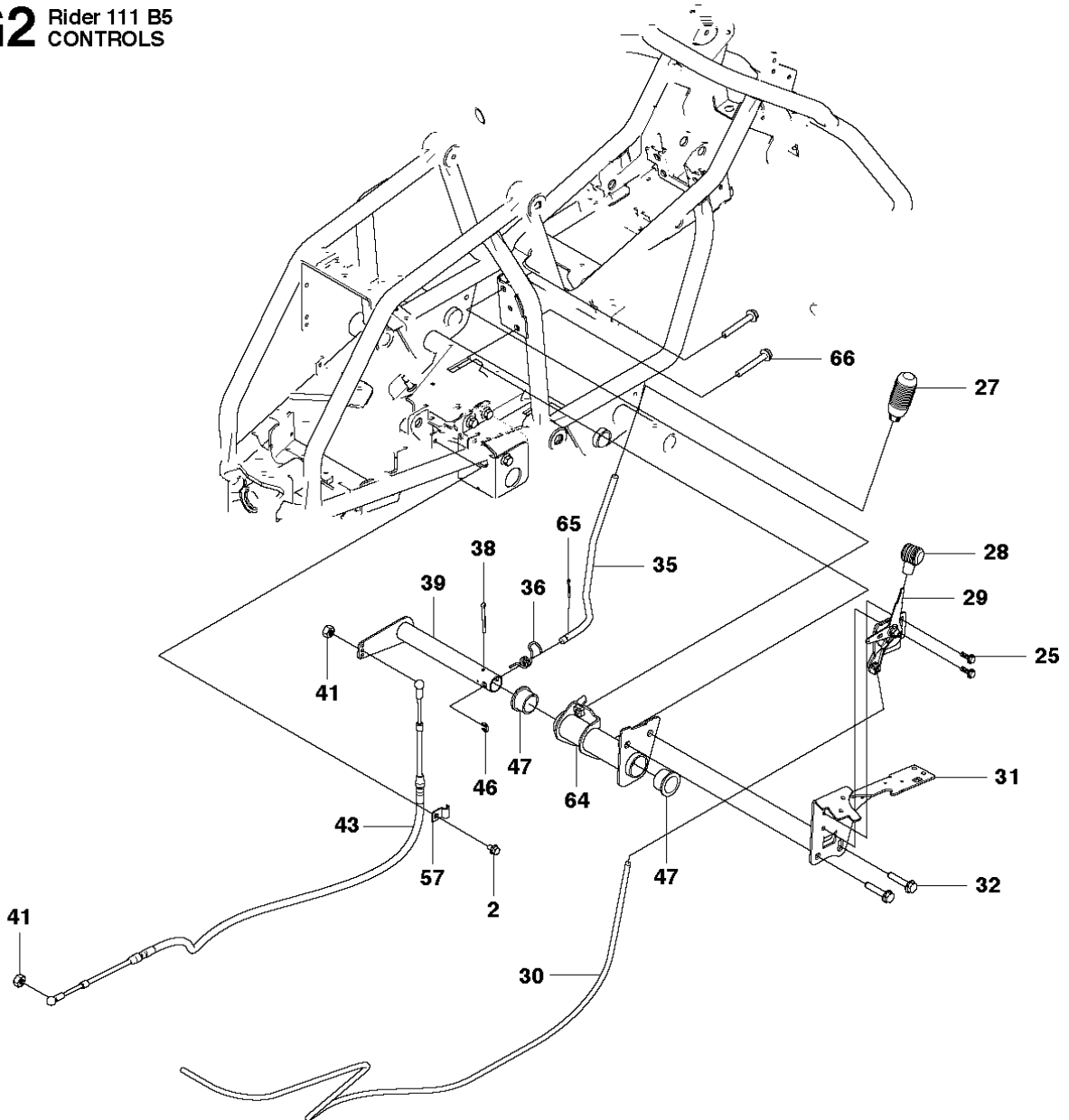


## CONTROLS

RIDER 111 B5, 965996701, 965996785, 966663085, 967186401, 2011-02

Ref	Part No	Description	Remark	QTY KIT
1	506 90 56-01	OFFSET PULLEY		2
2	725 23 64-61	SCREW EHHFT		8
3	574 31 58-01	BRACKET		1
4	721 68 02-51	SPRING COTTER		1
5	735 31 18-20	E-CLIP		2
6	525 40 45-01	SHAFT		1
7	525 40 44-01	SHAFT		1
8	721 61 83-01	SPLIT PIN		1
9	734 11 64-01	WASHER		4
10	506 55 46-11	CHAIN		1
11	506 55 47-01	LINKAGE		1
12	522 56 02-02	LEVER ASSY		1
13	721 61 87-01	SPLIT PIN		1
14	506 90 53-01	PEN		1
15	721 12 59-30	GROOVED PIN		1
16	506 59 74-01	SCREW EHHFM		1
17	732 21 20-51	NUT		1
18	731 23 18-01	HEXAGON NUT		1
19	725 25 00-51	SCREW EHHM		1
20	522 56 01-01	ROD		1
21	732 21 18-01	LOCK NUT		1
22	525 49 13-01	JOINT		1
23	525 40 47-01	BRACKET		1
24	506 55 65-01	BEARING		1
25	506 57 01-03	SCREW EHHFM		10
26	522 50 83-01	LEVER		1
27	506 54 20-01	HANDLE		2
67	576 46 82-01	SLEEVE		2

**G2** Rider 111 B5  
CONTROLS



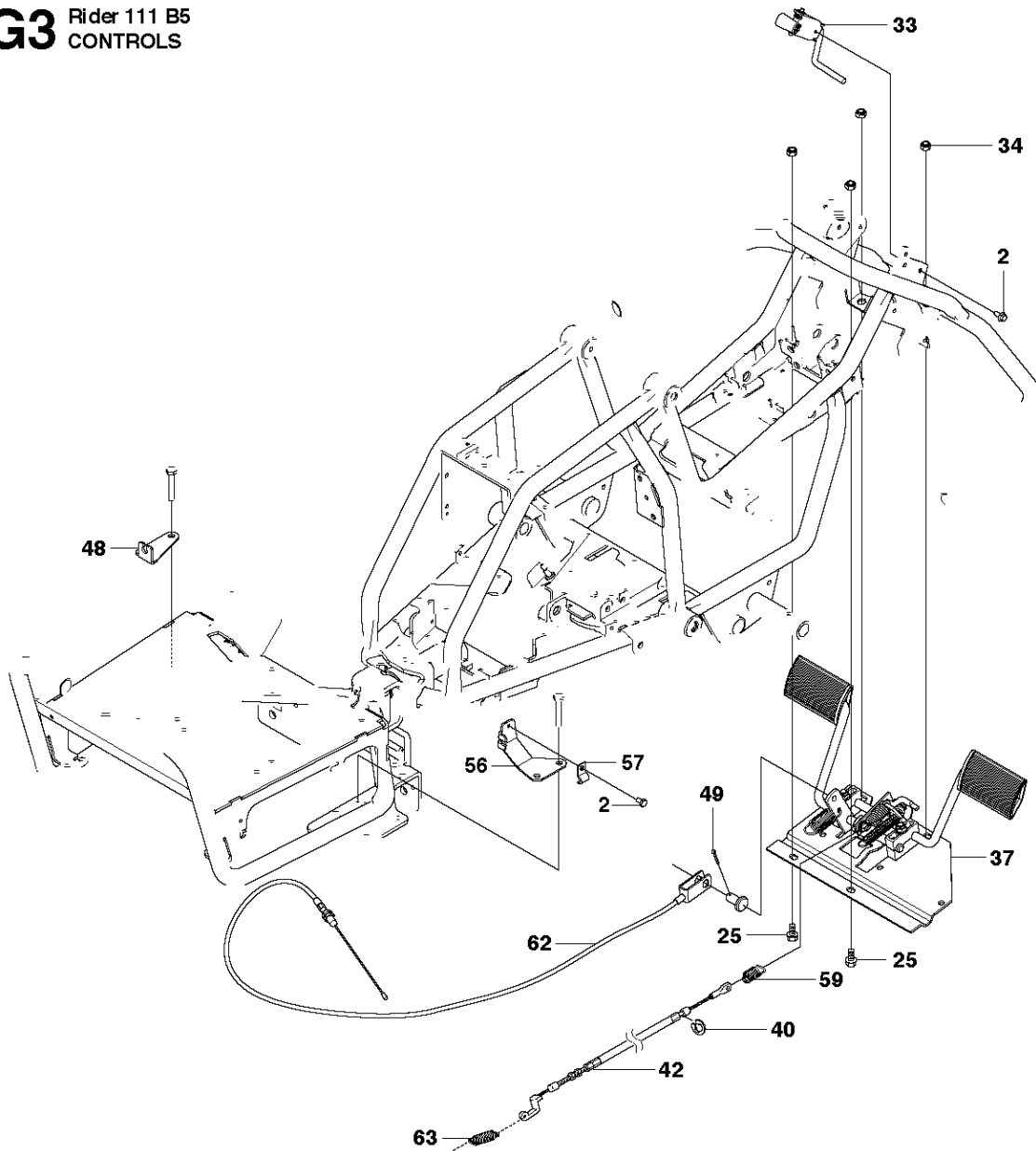


## CONTROLS

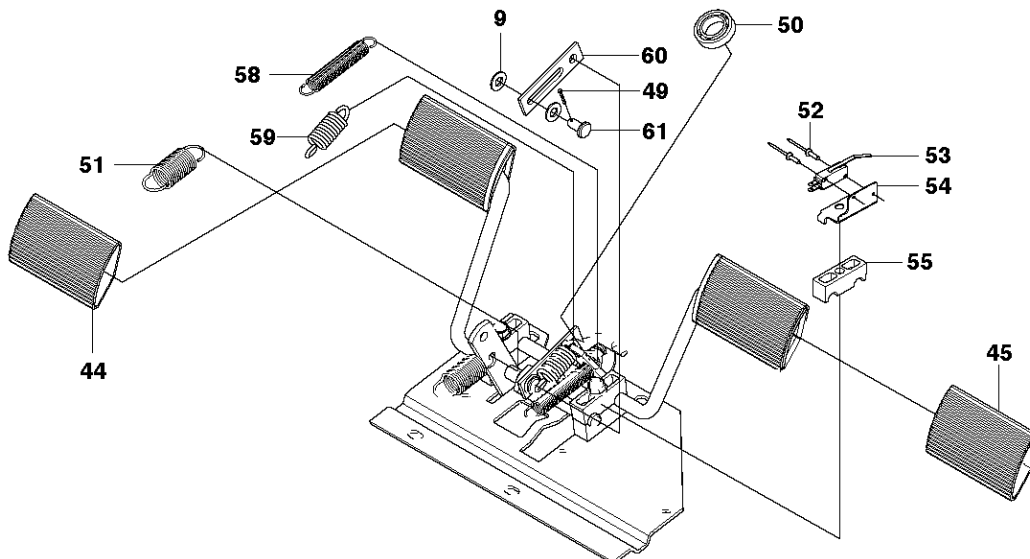
RIDER 111 B5, 965996701, 965996785, 966663085, 967186401, 2011-02

Ref	Part No	Description	Remark	QTY KIT
2	725 23 64-61	SCREW EHHFT		8
25	506 57 01-03	SCREW EHHFM		10
27	506 54 20-01	HANDLE		2
28	506 88 91-01	KNOB		1
29	522 50 59-01	THROTTLE CONTROL		1
30	544 30 17-04	WIRE		1
31	575 24 03-01	SHEET		1
32	506 57 01-04	SCREW EHHFM		2
35	525 31 65-01	ROD		1
36	574 37 78-01	SPRING		1
38	721 62 01-01	SPLIT PIN		1
39	574 37 77-01	GEARSHIFT LEVER		1
41	732 21 14-01	LOCK NUT		2
43	574 41 11-04	CONTROL CABLE		1
46	735 31 12-20	E-CLIP		1
47	506 55 65-01	BEARING		2
57	506 56 65-01	CLIP		2
65	721 61 52-01	SPLIT PIN		1
66	725 24 60-71	SCREW EHHM		1
64	574 36 97-01	BRACKET		1

**G3** Rider 111 B5  
CONTROLS



**PEDALS**

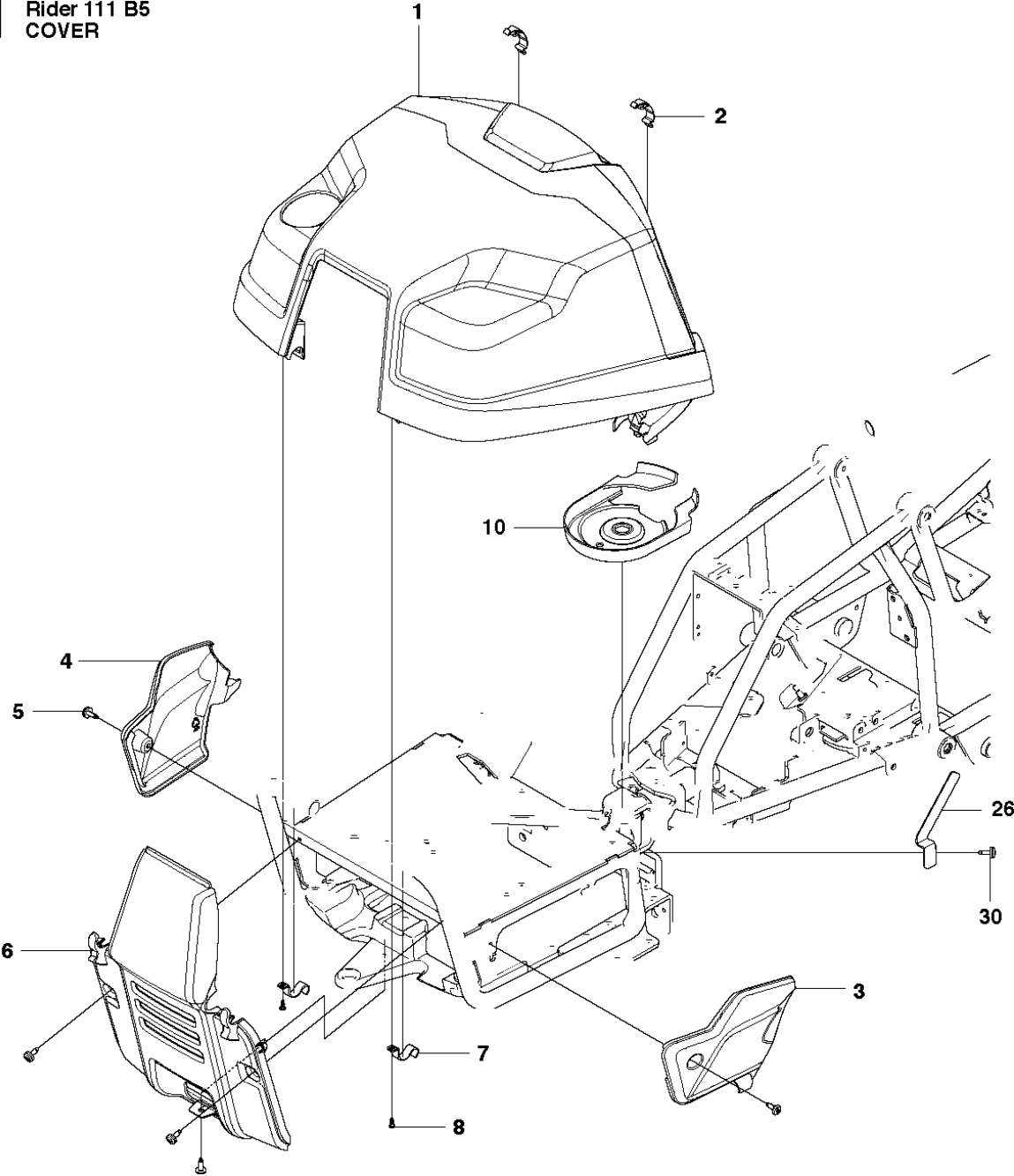


## CONTROLS

RIDER 111 B5, 965996701, 965996785, 966663085, 967186401, 2011-02

Ref	Part No	Description	Remark	QTY KIT
2	725 23 64-61	SCREW EHHFT		8
9	734 11 64-01	WASHER		4
25	506 57 01-03	SCREW EHHFM		10
33	523 34 60-02	LOCKING LEVER		2
34	506 91 62-01	BLIND RIVET NUT		1
37	574 40 66-01	PEDAL PLATE ASSY		1
40	735 31 09-20	E-CLIP		1
42	574 40 76-02	WIRE		2
44	535 47 88-02	PEDAL RUBBER		1
45	535 47 88-01	PEDAL RUBBER		1
48	525 29 22-01	BRACKET		2
49	721 61 52-01	SPLIT PIN		1
50	738 21 02-04	BALL BEARING		2
51	544 13 34-01	DRAW SPRING		1
52	544 44 07-01	RIVET		1
53	574 31 61-01	SWITCH		2
54	544 41 57-01	BRACKET		1
55	535 48 08-01	BEARING SUPPORT		1
56	525 31 46-01	BRACKET		4
57	506 56 65-01	CLIP		1
58	544 13 36-01	DRAW SPRING		2
59	575 35 52-01	SPRING		1
60	544 12 79-01	LINK		1
61	721 83 99-01	CLEVIS PIN		1
62	506 95 25-02	WIRE ASSY		2
63	506 53 56-03	DRAW SPRING		1

**B1** Rider 111 B5  
COVER

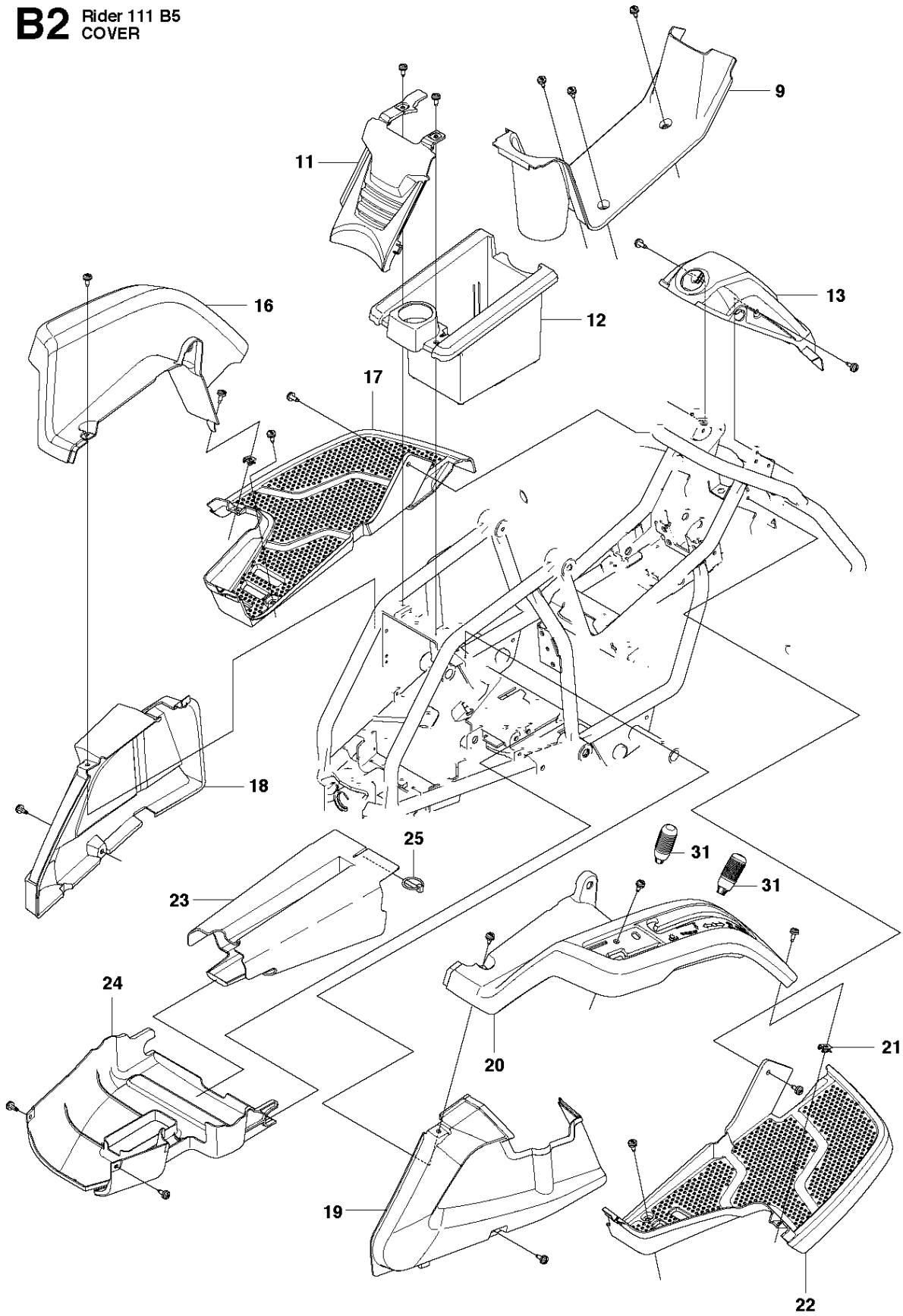


## COVER

RIDER 111 B5, 965996701, 965996785, 966663085, 967186401, 2011-02

Ref	Part No	Description	Remark	QTY KIT
1	522 82 80-01	ENGINE HOOD ASSY		1
2	503 89 47-01	SNAP		2
3	525 49 78-01	COVER		1
4	525 49 79-01	COVER		1
5	544 40 05-01	SCREW		27
6	522 60 21-01	SKID PLATE		1
7	525 88 11-01	SHEET		2
8	503 21 74-16	SCREW IHSCT		2
10	522 50 81-01	COVER		1
26	575 35 49-01	BRACKET		1
30	544 40 05-01	SCREW		1

**B2** Rider 111 B5  
COVER

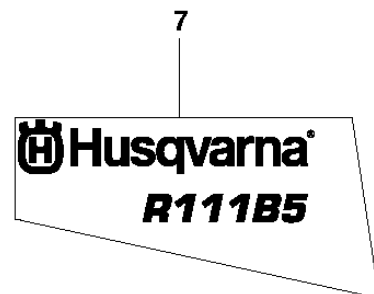
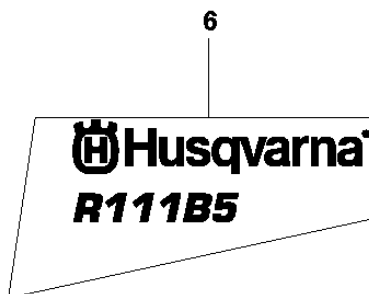
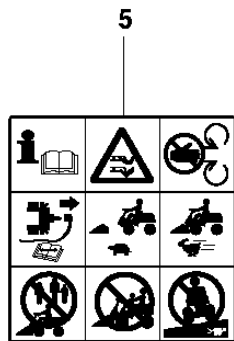
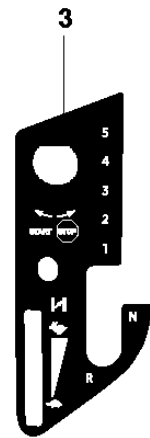
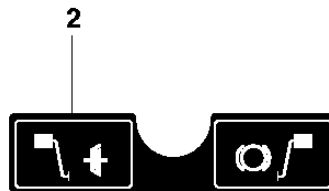
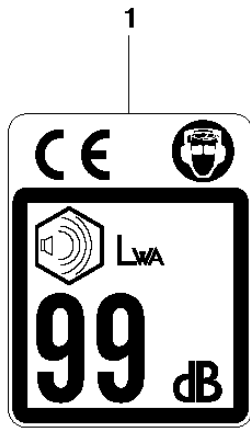


## COVER

RIDER 111 B5, 965996701, 965996785, 966663085, 967186401, 2011-02

Ref	Part No	Description	Remark	QTY KIT
11	525 47 79-01	COVER		1
12	525 47 78-01	BATTERY BOX		1
13	575 83 92-02	COVER		1
16	521 89 07-01	COVER		1
17	521 88 91-01	FOOT PLATE		1
18	522 60 19-01	COVER		1
19	522 60 20-01	COVER		1
20	521 88 93-02	CONTROL PANEL		1
21	535 42 91-01	SPRING NUT		2
22	521 88 92-02	FOOT PLATE		1
23	525 39 61-01	COVER		1
24	575 75 14-01	COVER		1
25	574 60 08-01	SPRINT		1
31	506 54 20-01	HANDLE		2
9	522 60 18-01	COVER		1

**K** Rider 111 B5  
DECALS



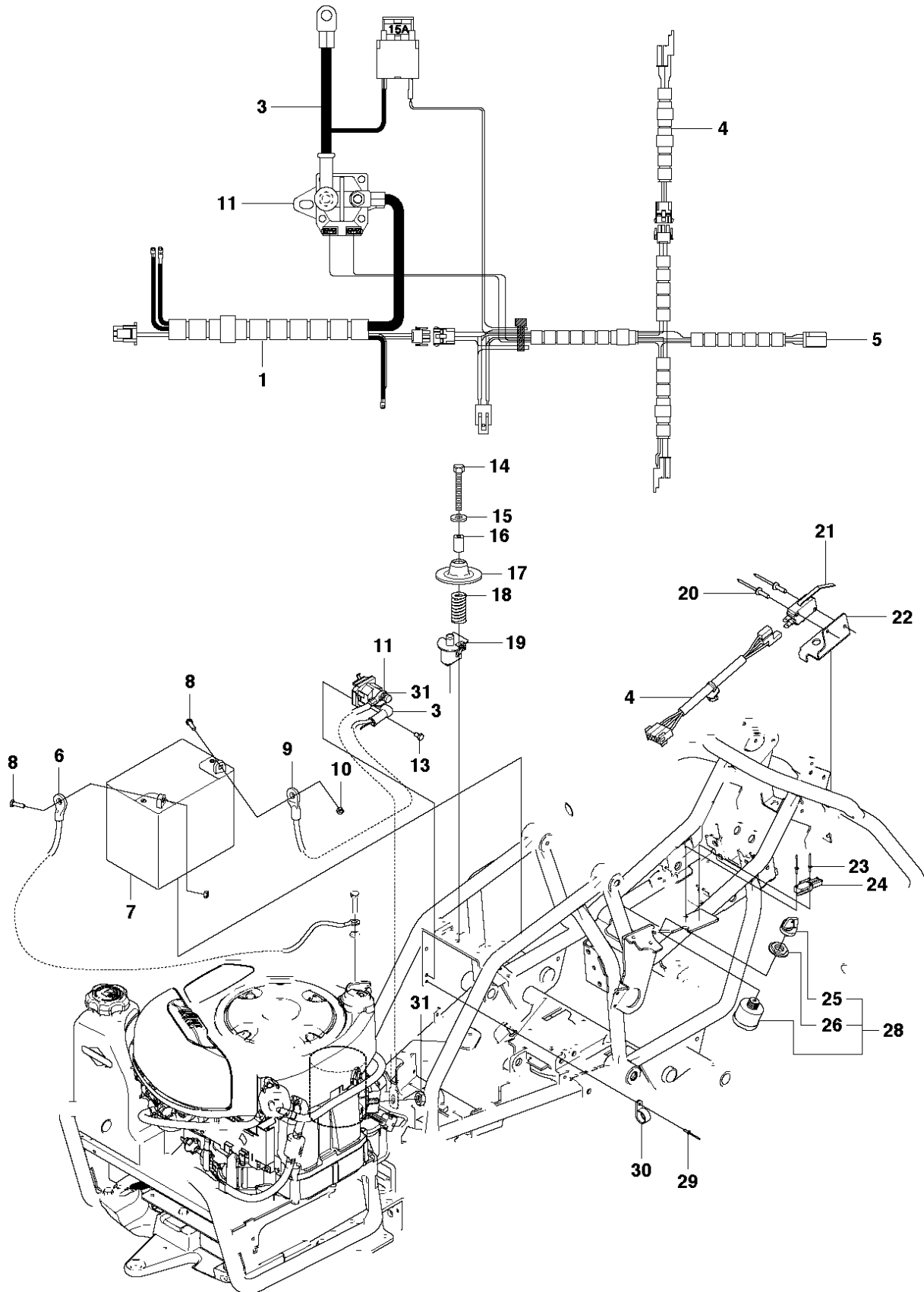


## DECALS

RIDER 111 B5, 965996701, 965996785, 966663085, 967186401, 2011-02

Ref	Part No	Description	Remark	QTY KIT
1	505 21 77-05	LABEL		1
2	575 22 13-01	DECAL		1
3	575 22 26-01	DECAL		1
4	574 38 21-01	DECAL		1
5	574 85 48-01	DECAL		1
6	575 25 31-02	DECAL		1
7	575 25 31-01	DECAL		1

**H** Rider 111 B5  
ELECTRICAL

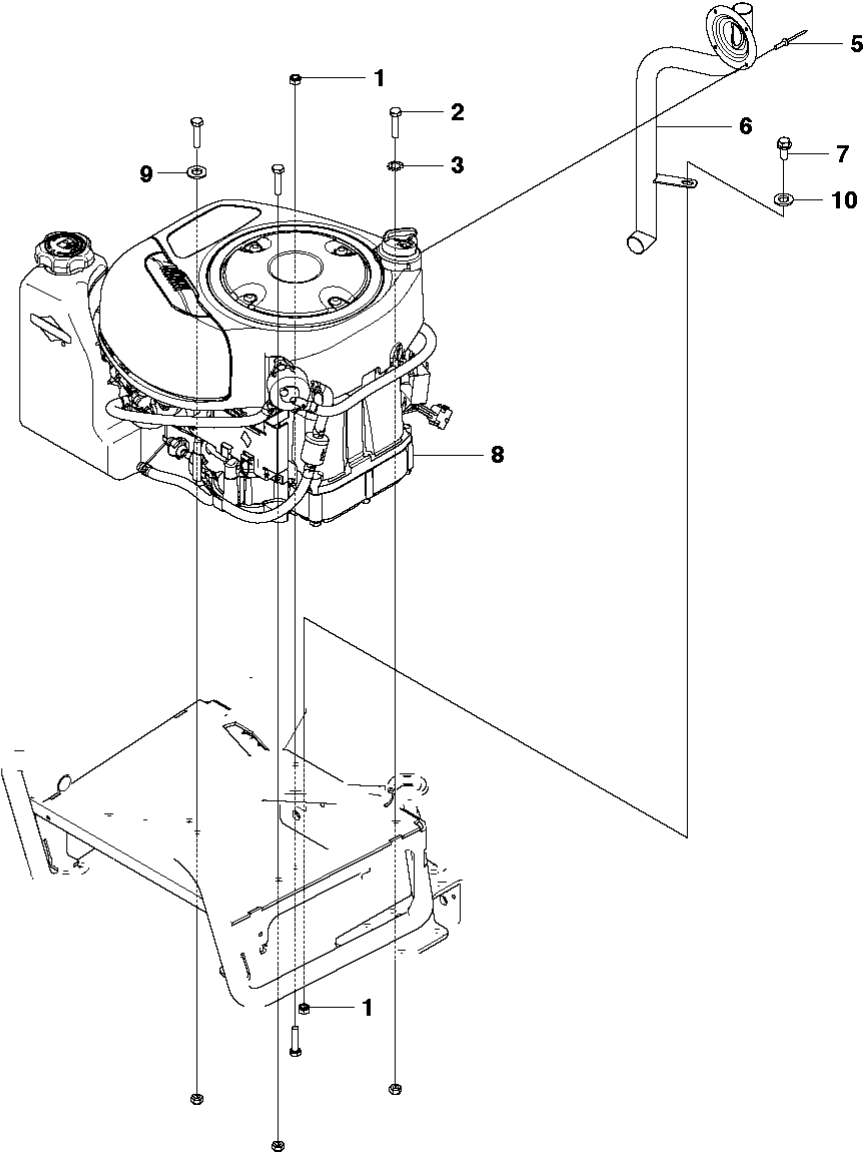


## ELECTRICAL

RIDER 111 B5, 965996701, 965996785, 966663085, 967186401, 2011-02

Ref	Part No	Description	Remark	QTY KIT
1	574 26 97-01	WIRING		1
3	574 26 98-01	CABLE		1
4	574 26 96-01	WIRING		1
5	574 26 95-01	WIRING		1
7	510 13 85-01	BATTERY		1
8	522 62 21-01	SCREW EHHM		2
10	522 62 43-01	NUT		2
11	544 43 98-01	RELAY		1
13	725 23 64-61	SCREW EHHFT		1
14	725 24 60-51	SCREW EHHM		1
16	506 90 99-02	SPACING TUBE		1
17	506 90 97-01	SPRING WASHER		1
18	544 44 12-01	SPRING		1
19	506 90 96-01	SWITCH		1
20	544 44 07-01	RIVET		2
21	574 31 61-01	SWITCH		1
22	544 41 57-01	BRACKET		1
23	544 44 07-01	RIVET		2
24	574 31 61-01	SWITCH		1
25	544 44 24-01	IGNITION KEY		1
26	544 44 23-01	NUT	28	1
28	544 44 21-01	IGNITION SWITCH		1
29	722 79 54-02	RIVET		1
30	575 26 99-01	CABLE CLAMP		1
31	506 89 98-01	NUT		3

**E** Rider 111 B5  
ENGINE

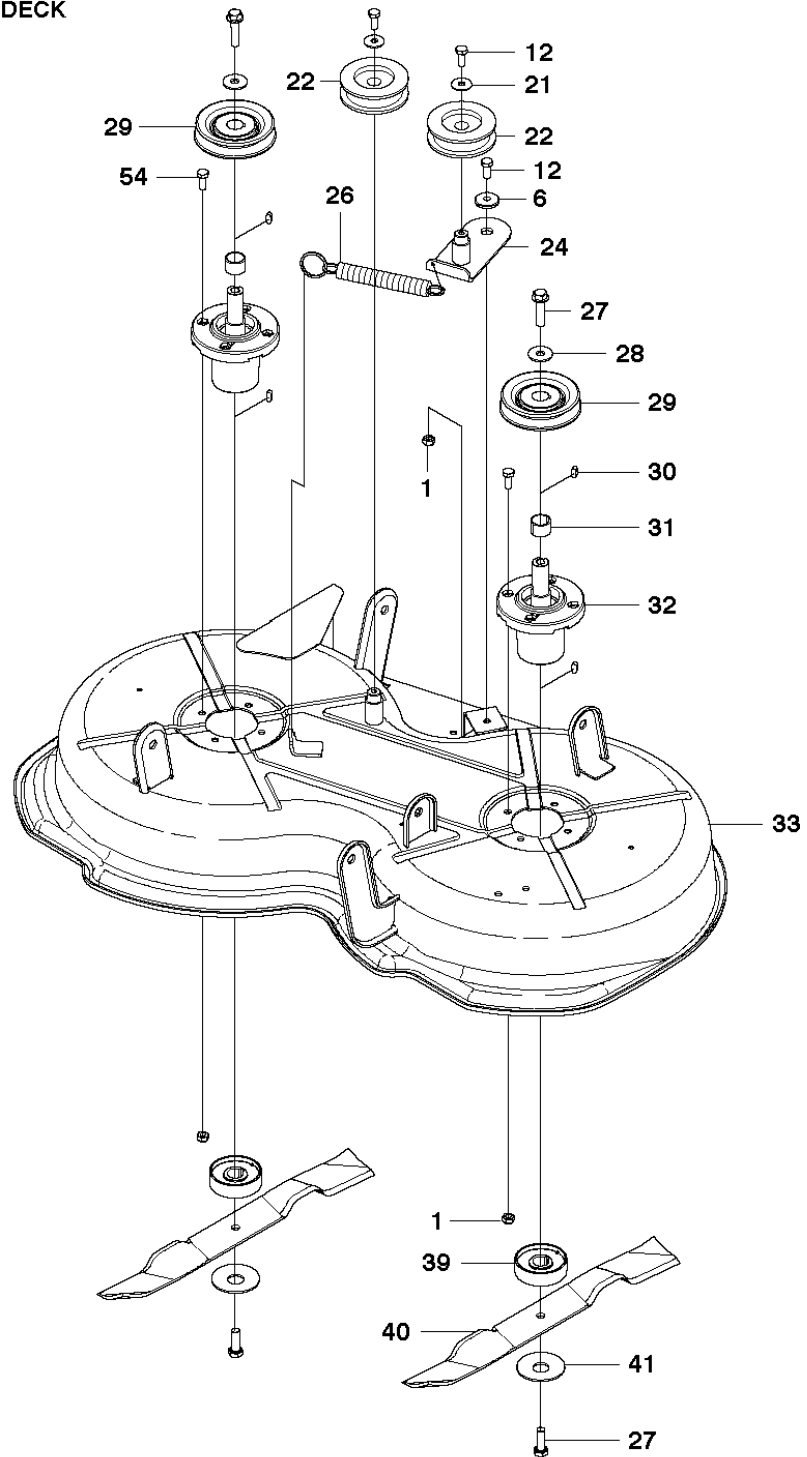


## ENGINE

RIDER 111 B5, 965996701, 965996785, 966663085, 967186401, 2011-02

Ref	Part No	Description	Remark	QTY KIT
1	732 21 18-01	LOCK NUT		5
2	725 24 57-51	SCREW		4
3	735 21 64-00	LOCKWASHER		1
5	722 79 23-09	RIVET		4
6	522 60 34-01	EXHAUST PIPE ASSY		1
7	506 57 01-04	SCREW EHHFM		1
8	577 44 56-01	ENGINE		1
9	734 11 64-01	WASHER		3
10	734 11 64-41	WASHER		1

**L2** Rider 111 B5  
CUTTING DECK



20

**BioClip® 85**

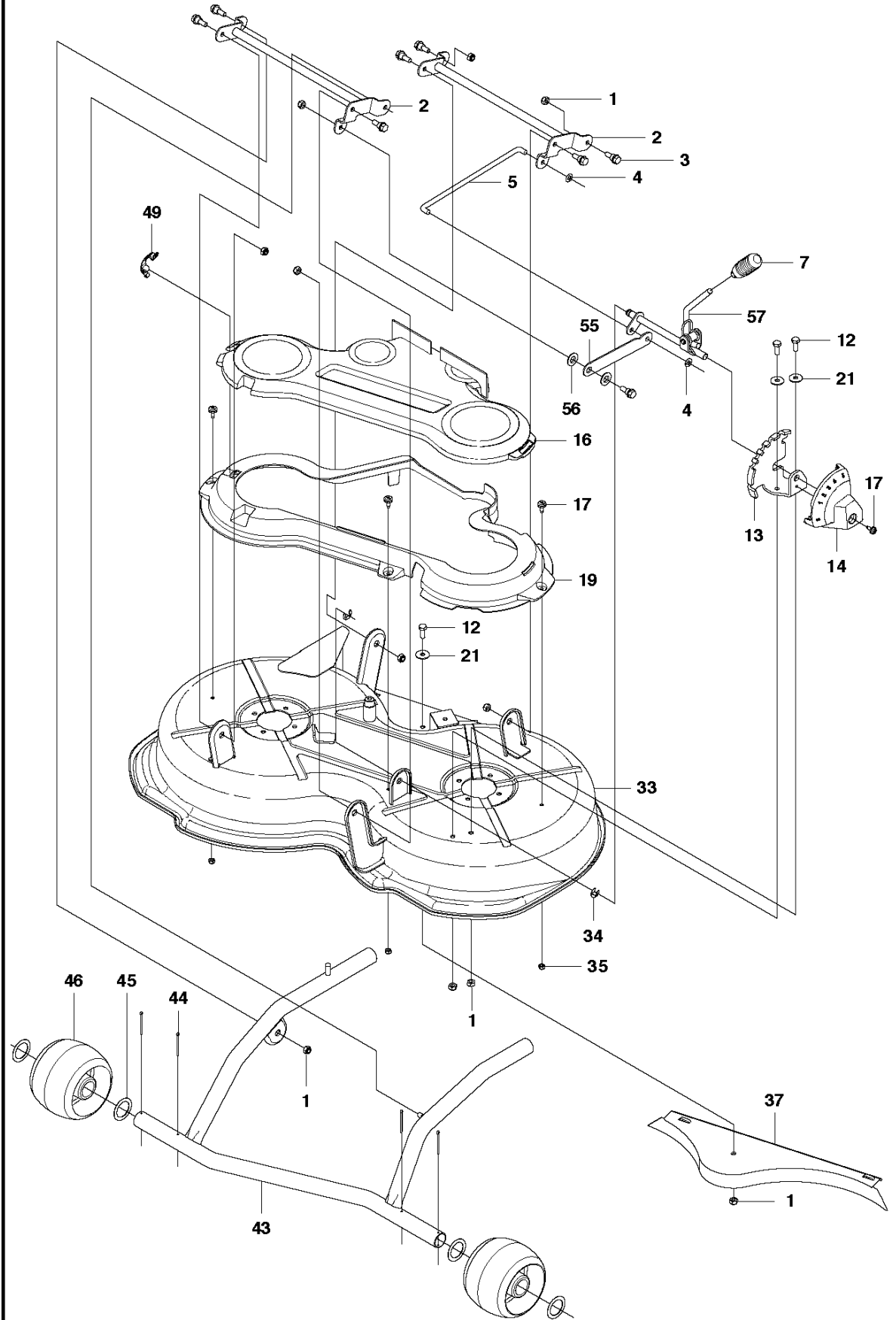
23



MOWER DECK / CUTTING DECK RIDER 111 B5, 965996701, 965996785, 966663085, 967186401, 2011-02

Ref	Part No	Description	Remark	QTY KIT
1	732 21 18-01	LOCK NUT		16
6	506 91 87-02	WASHER		1
12	725 24 53-71	SCREW EHHM		7
20	574 84 97-01	DECAL		2
21	734 11 64-41	WASHER		5
22	506 79 32-02	BELT TENSIONER WHEEL		2
23	574 51 00-01	DECAL		2
24	573 96 95-01	BELT TENSIONER		1
26	584 29 88-01	SPRING		1
27	506 67 54-02	SCREW EHHFM		4
28	734 11 77-71	WASHER		2
29	574 46 07-01	PULLEY		2
30	506 53 35-01	PARALLEL KEY		4
31	573 96 65-01	TUBE		2
32	573 96 86-01	BEARING HOUSING ASSY		2
33	522 45 00-01	CUTTING DECK		1
39	577 79 11-01	ADAPTER		2
40	522 44 95-03	RIDE ON BLADE		2
41	506 79 23-03	KNIFE PLATE		2
54	725 24 51-71	SCREW EHHM		8

**L1** Rider 111 B5  
CUTTING DECK

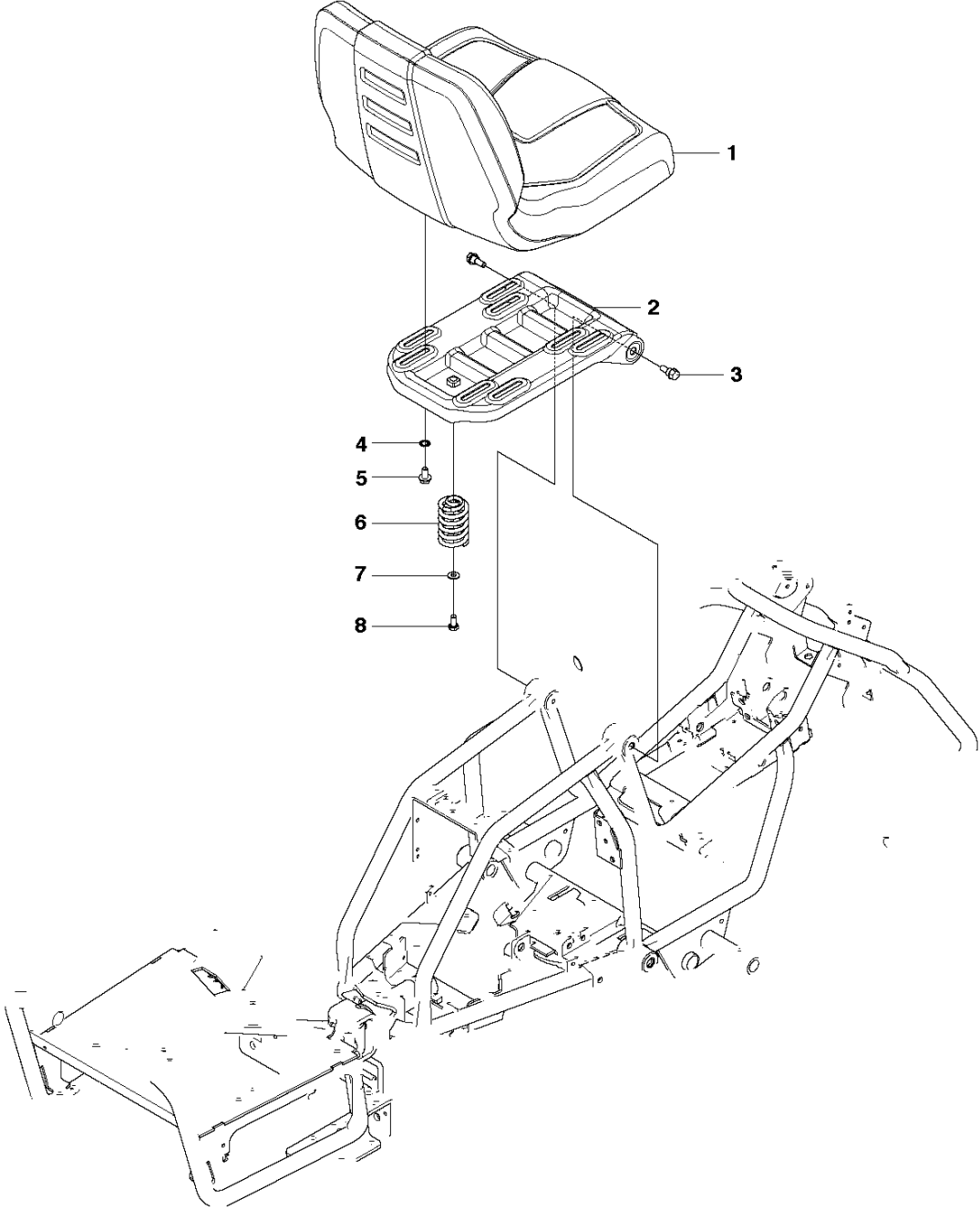




MOWER DECK / CUTTING DECK RIDER 111 B5, 965996701, 965996785, 966663085, 967186401, 2011-02

Ref	Part No	Description	Remark	QTY	KIT
1	732 21 18-01	LOCK NUT		16	
2	522 45 09-01	CROSS BAR		2	
3	506 59 74-01	SCREW EHHFM		8	
4	735 58 52-00	WASHER		2	
5	522 60 23-01	ROD		1	
7	574 32 88-01	HANDLE		1	
12	725 24 53-71	SCREW EHHM		7	
13	522 52 32-01	BRACKET		1	
14	573 97 18-01	COVER		1	
16	574 17 21-01	COVER		1	
17	544 40 05-01	SCREW		4	
19	574 17 20-01	COVER		1	
21	506 91 87-02	WASHER		5	
33	586 14 70-01	CUTTING DECK		1	Assy
34	735 31 15-20	E-CLIP		2	
35	732 21 16-01	NUT		3	
37	574 04 17-01	PLUG		1	
43	522 45 19-01	EQUIPMENT FRAME		1	
44	721 61 87-01	SPLIT PIN		4	
45	574 26 45-01	WASHER		4	
46	522 73 59-01	WHEEL		2	
49	503 89 47-01	SNAP		1	
55	525 85 57-01	ARM		1	
56	734 11 65-41	WASHER		2	
57	575 80 21-01	LEVER ASSY		1	

**A** Rider 111 B5  
SEAT

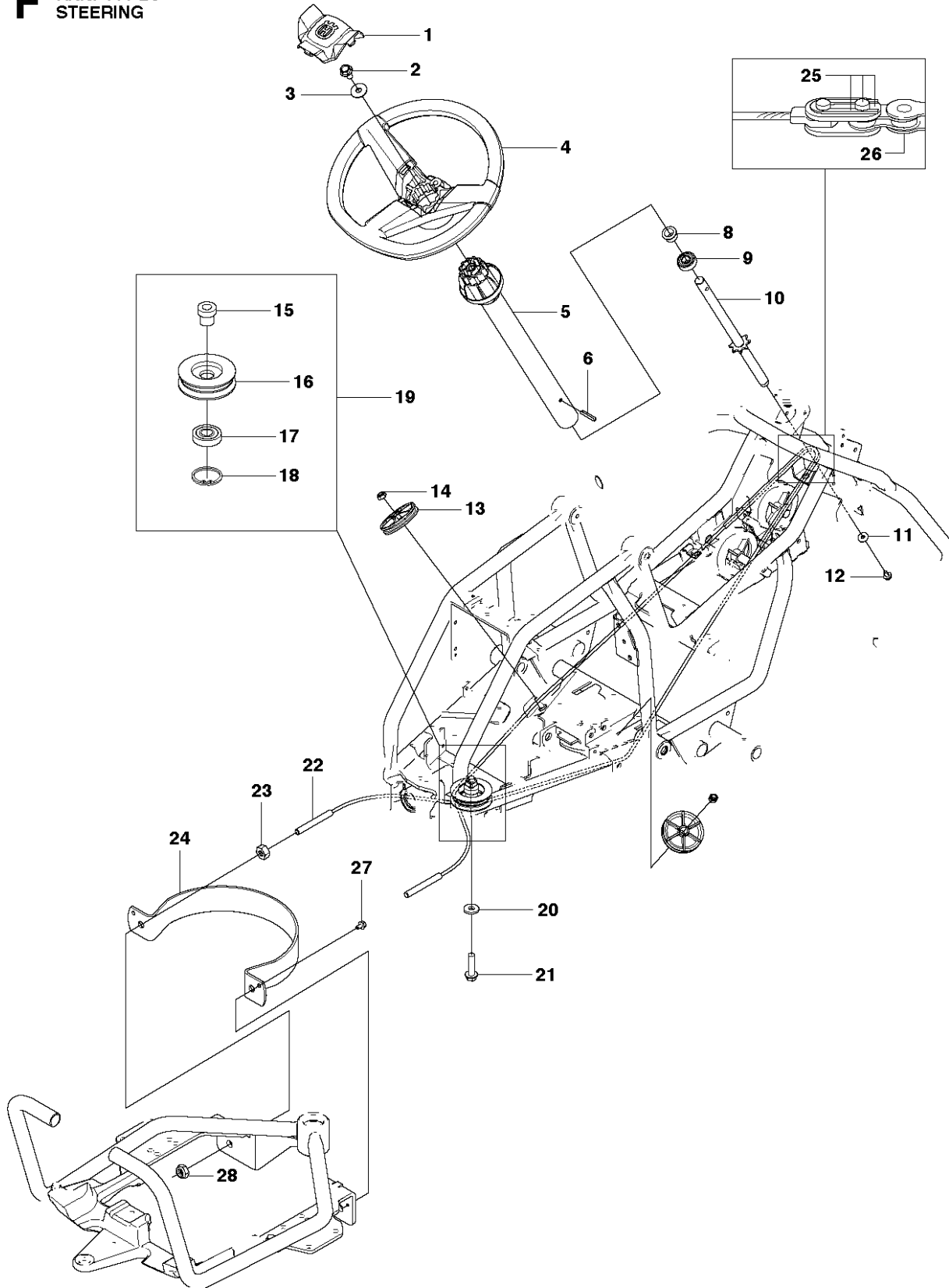


## SEAT

RIDER 111 B5, 965996701, 965996785, 966663085, 967186401, 2011-02

Ref	Part No	Description	Remark	QTY KIT
1	525 81 48-01	SEAT		1
2	522 77 51-01	SEAT BRACKET		1
3	506 59 74-01	SCREW EHHFM		2
4	735 21 64-00	LOCKWASHER		4
5	506 57 01-03	SCREW EHHFM		4
6	506 91 53-01	COMPRESSION SPRING		1
7	734 11 74-41	WASHER		1
8	725 24 93-71	SCREW EHHM		1

**F** Rider 111 B5  
STEERING

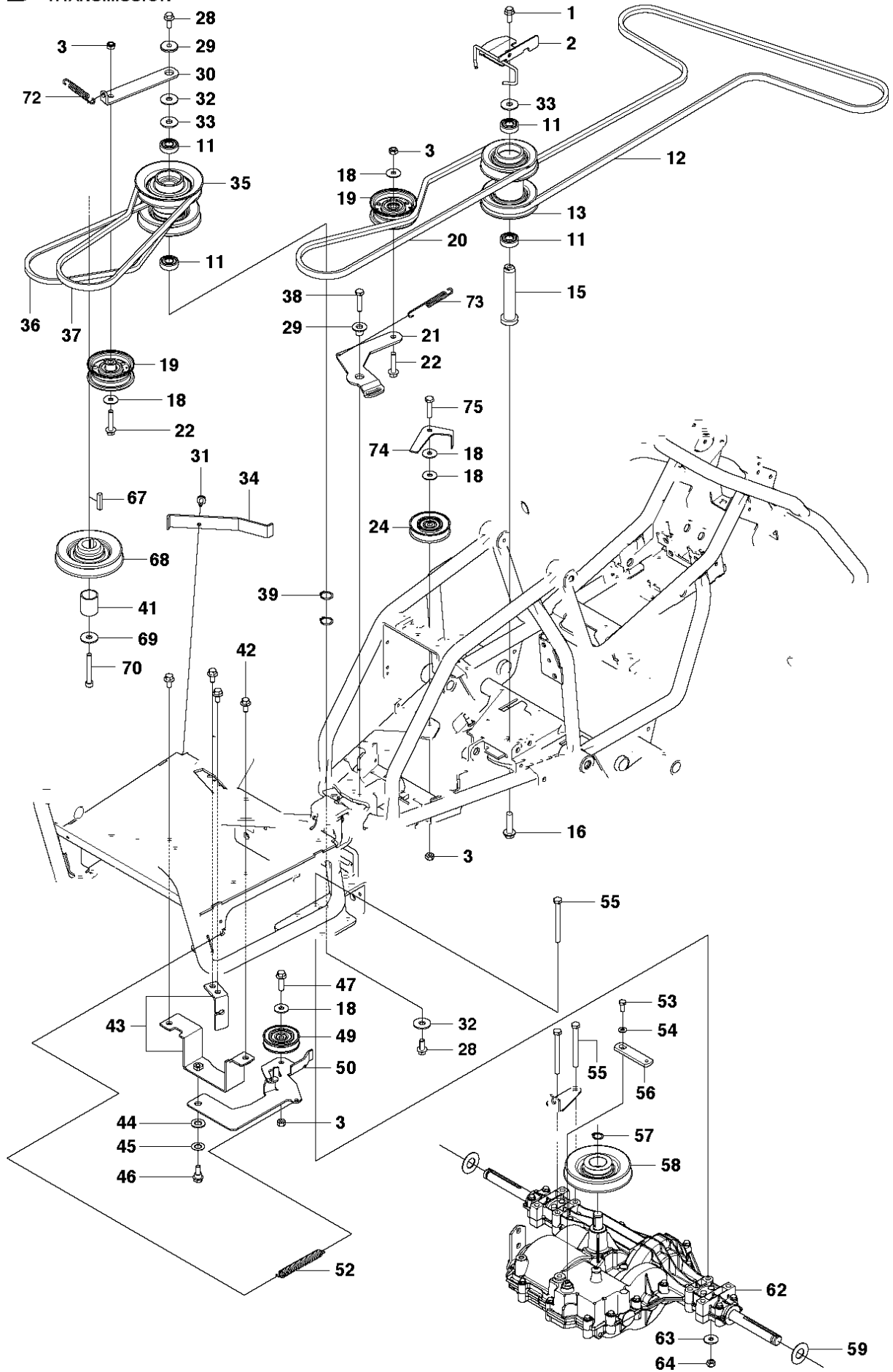


## STEERING

RIDER 111 B5, 965996701, 965996785, 966663085, 967186401, 2011-02

Ref	Part No	Description	Remark	QTY KIT
1	532 41 59-87	KNOB		1
2	725 24 97-51	SCREW		1
3	574 37 92-01	WASHER		1
4	532 41 64-80	STEERING WHEEL		1
5	525 39 80-01	STEERING SYSTEM		1
6	721 43 47-01	SPRING PIN		1
8	506 88 78-01	SPACER		1
9	738 21 04-04	BALL BEARING		1
10	575 63 24-01	STEERING ROD		1
11	734 11 54-41	WASHER		1
12	535 47 52-12	SCREW EHHFM		1
13	575 58 58-01	WHEEL		2
14	732 21 16-01	NUT		2
15	506 50 08-02	BUSHING		1
16	506 50 07-01	BARRING WHEEL		1
17	738 22 04-19	BALL BEARING		1
18	735 31 40-10	CIRCLIP		1
19	506 50 09-02	BARRING WHEEL		1
20	734 11 74-41	WASHER		1
21	506 67 54-02	SCREW EHHFM		1
22	577 19 99-01	WIRE ASSY		2
23	731 23 20-51	HEXAGON NUT		2
24	525 40 43-01	GUIDE RAIL		1
25	506 55 47-01	LINKAGE		2
26	506 55 46-01	CHAIN		1
27	725 23 68-61	SCREW EHHFT		2
28	732 21 20-51	NUT		2

**D** Rider 111 B5  
TRANSMISSION

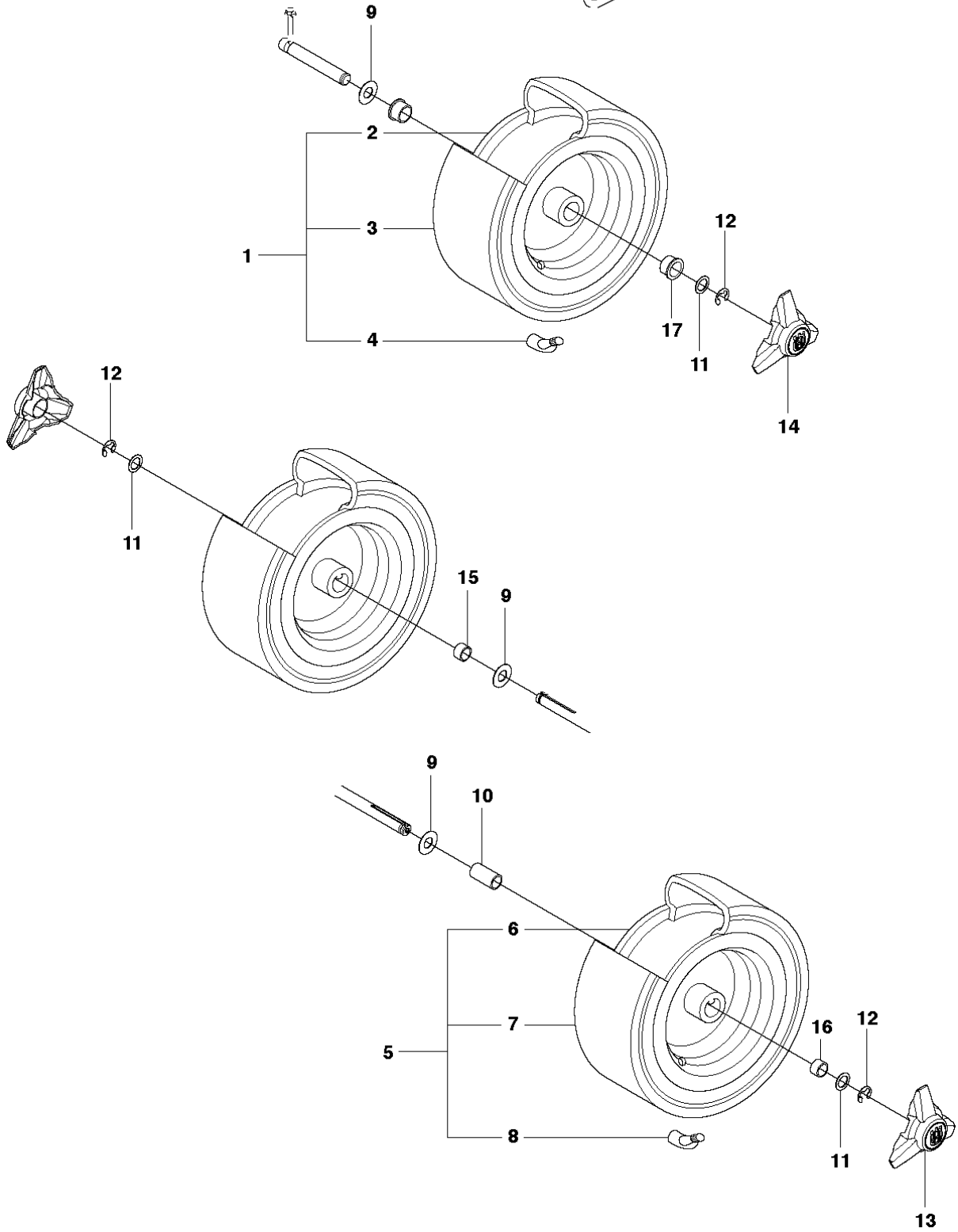
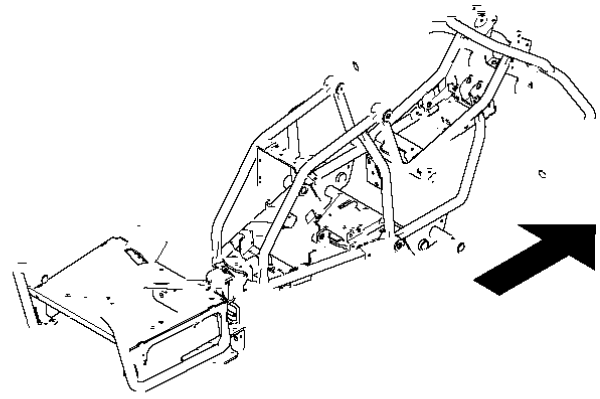


## TRANSMISSION

RIDER 111 B5, 965996701, 965996785, 966663085, 967186401, 2011-02

Ref	Part No	Description	Remark	QTY KIT
1	506 57 01-03	SCREW EHHFM		1
2	577 59 21-01	BRACKET		1
3	732 21 18-01	LOCK NUT		4
11	738 21 04-04	BALL BEARING		4
12	506 77 58-01	BELT		1
13	574 25 95-01	PULLEY		1
15	574 25 98-01	SHAFT		1
16	506 67 54-02	SCREW EHHFM		1
18	734 11 64-41	WASHER		5
19	539 91 90-78	PULLEY		3
20	575 22 55-01	BELT		1
21	522 60 29-01	BELT TENSIONER		1
22	725 24 59-51	SCREW EHHM		3
24	506 94 69-01	BELT TENS WHEEL ASSY		1
28	506 57 01-05	SCREW EHHFM		2
29	574 87 41-01	WASHER		2
30	522 83 16-01	BRACKET		1
31	544 40 05-01	SCREW		2
32	734 11 74-41	WASHER		2
33	506 50 48-05	WASHER		2
34	575 58 03-01	SHEET		1
35	525 60 45-01	PULLEY		1
36	575 22 58-01	BELT		1
37	575 22 56-01	BELT		1
38	506 57 01-05	SCREW EHHFM		1
39	735 31 22-00	CIRCLIP		2
41	574 41 20-01	TUBE		1
42	506 57 01-04	SCREW EHHFM		6
43	575 54 56-01	BRACKET		1
44	734 11 78-01	WASHER		1
45	506 83 94-01	SPRING WASHER		1
46	506 59 74-01	SCREW EHHFM		1
47	725 24 55-51	SCREW		1
49	506 79 34-01	BELT TENS WHEEL ASSY		1
50	575 55 81-01	BELT TENSIONER		1
52	506 98 86-01	SPRING		1
53	506 55 78-01	U6S-UNF1/4"X28 L=16		1
54	734 11 56-01	WASHER		1
55	725 24 66-51	SCREW		4
56	525 32 05-01	BRACKET		1
57	735 31 18-00	CIRCLIP		1
58	525 32 06-01	PULLEY		1
59	506 50 48-05	WASHER		1
62	506 95 55-01	GEAR CASE MST 205		1
63	734 11 64-01	WASHER		4
64	731 23 18-01	HEXAGON NUT		4
66	506 83 43-01	SPRING		1
67	506 55 59-02	WEDGE		1
68	522 82 76-01	PULLEY		1
69	506 59 75-01	WASHER		1
70	506 55 60-02	SCREW UNC		1
72	574 50 61-01	SPRING		1
73	575 56 72-01	SPRING		1
74	577 41 85-01	BRACKET		1
75	725 24 57-51	SCREW		1

**J** Rider 111 B  
WHEELS & TIRES





## WHEELS &amp; TIRES

RIDER 111 B5, 965996701, 965996785, 966663085, 967186401, 2011-02

Ref	Part No	Description	Remark	QTY KIT
1	525 58 47-01	WHEEL		2
2	573 98 16-01	RIM		1
3	573 98 14-01	TYRE		1
4	523 03 47-01	VALVE		1
5	525 58 49-01	WHEEL		2
6	573 98 15-01	RIM		1
7	573 98 14-01	TYRE		1
8	523 03 47-01	VALVE		1
11	506 50 48-03	WASHER		2
12	506 89 90-01	E-CLIP		4
13	544 35 35-01	HUB CAP		2
14	544 35 35-03	HUB CAP		2
15	506 59 62-01	SPACING SLEEVE		1
16	506 50 48-05	WASHER		4
17	574 67 17-01	BEARING		2