

365H

Spare parts

Ersatzteile

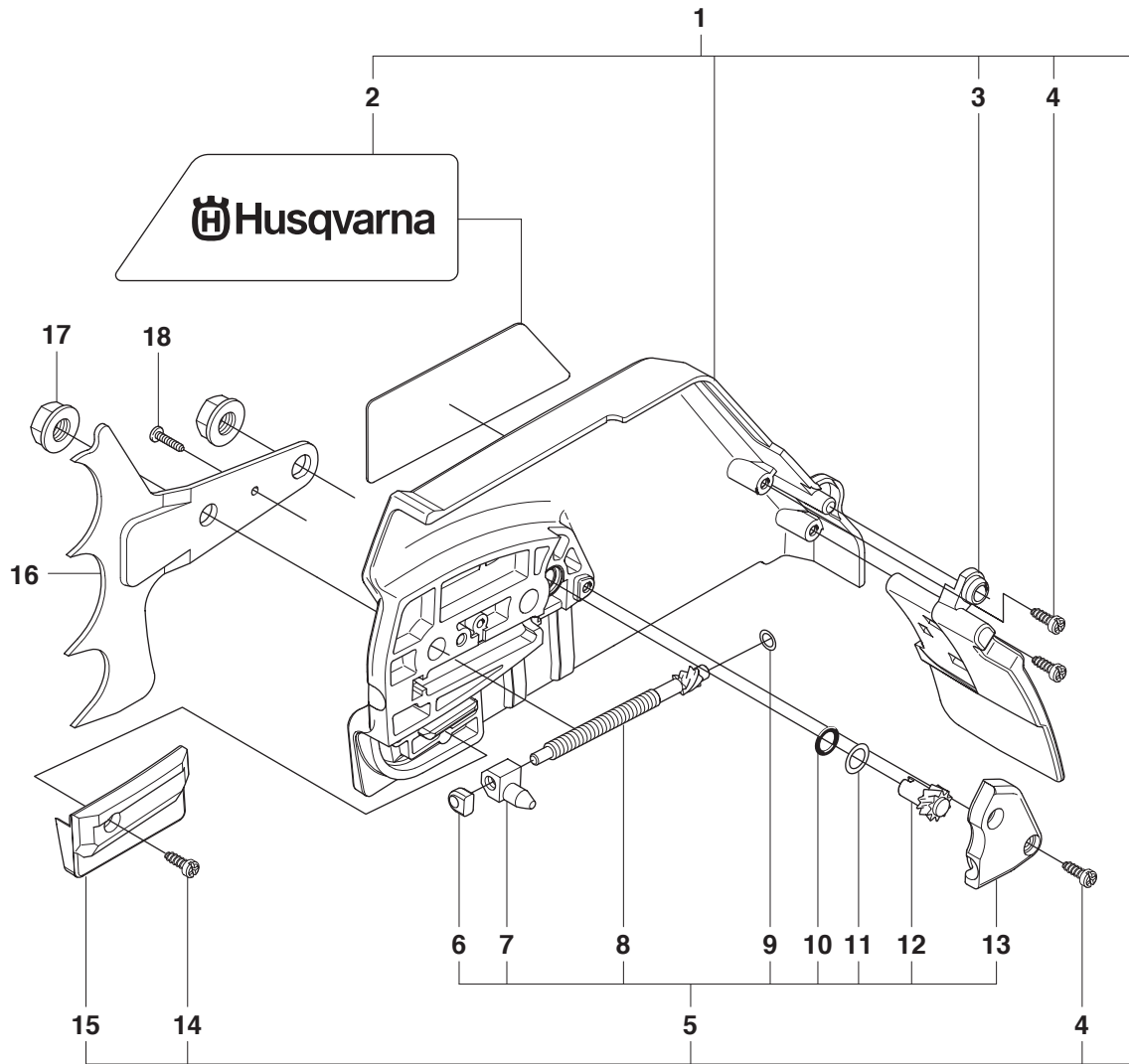
Pièces détachées

Reserve onderdelen

Repuestos

Reservdelar

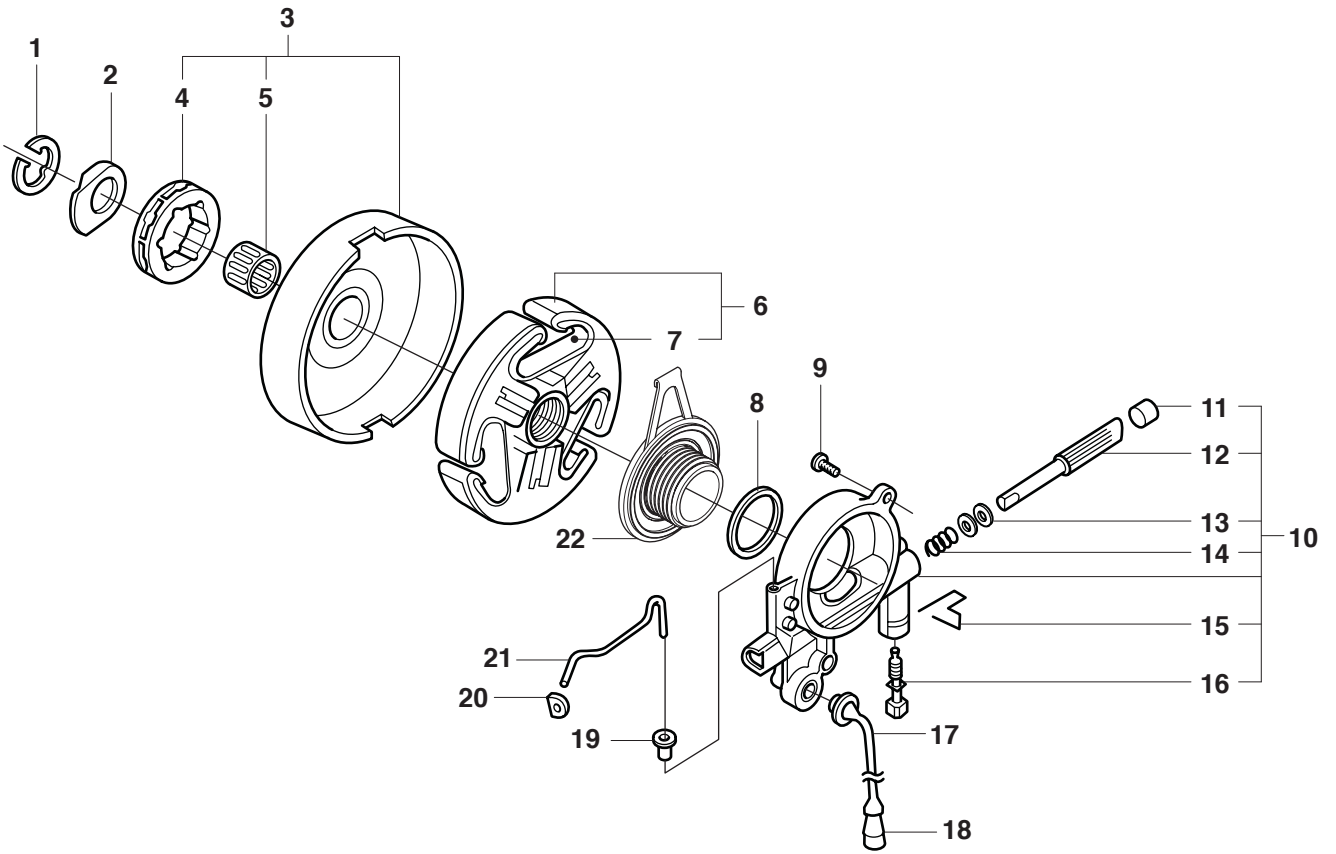
A 365H
CLUTCH COVER



CLUTCH COVER

Position	Article	Quantity	Notes	Kit
1	537 33 10-01	1		
2	537 03 38-03	1		1
3	537 17 41-01	1		1
4	503 21 28-10	4		1
5	537 04 41-02	1		1
6	537 01 74-01	1		1, 5
7	503 99 83-01	1		1, 5
8	537 07 95-02	1		1, 5
9	503 23 00-66	1		1, 5
10	740 48 07-02	1		1, 5
11	503 23 00-63	1		1, 5
12	537 07 94-02	1		1, 5
13	537 01 68-01	1		1, 5
14	503 21 28-10	1		1
15	537 04 34-01	1		1
16	503 71 97-01	1		
17	503 22 00-01	2		
18	503 21 28-10	1		

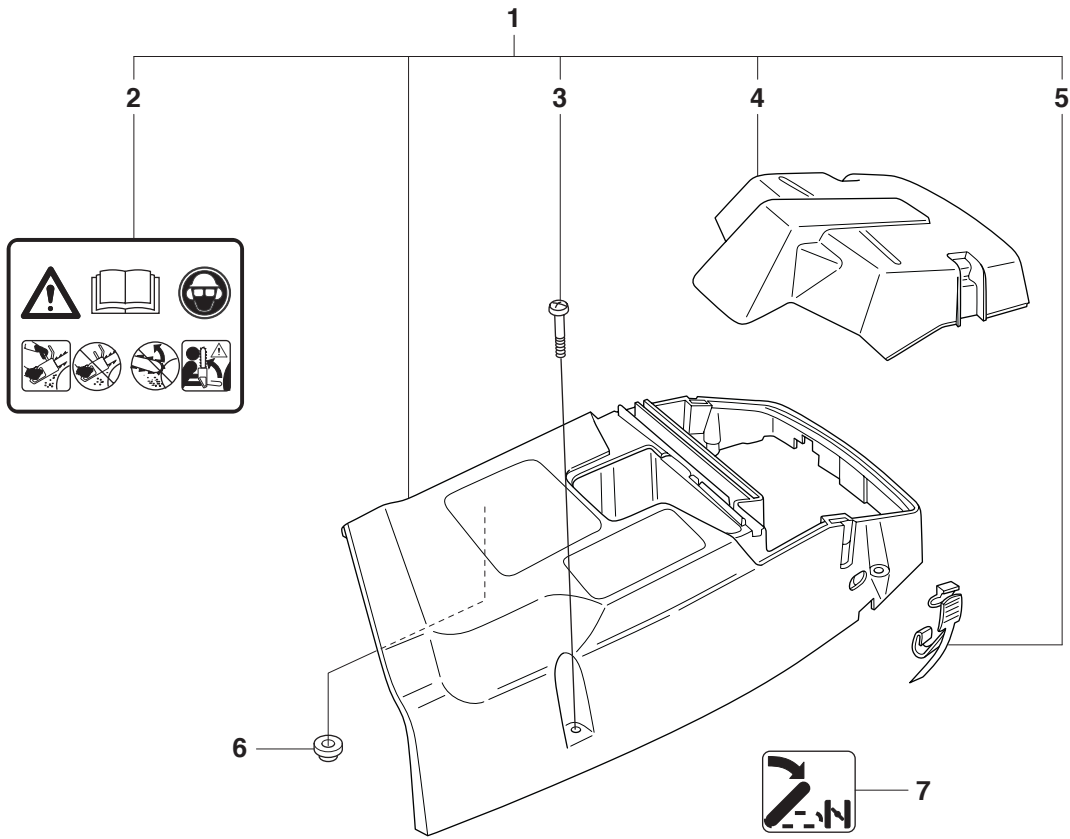
B 365H
CLUTCH & OIL PUMP



CLUTCH & OIL PUMP

Position	Article	Quantity	Notes	Kit
1	503 27 21-01	1		
2	503 75 24-01	1		
3	503 93 24-71	1	3/8"x7T	
3	503 93 24-72	1	3/8"x8T	
4	501 59 80-02	1	3/8"x7T	3
4	505 30 36-61	1	3/8"x8T	3
5	503 43 20-01	1		3
6	503 74 44-01	1		
7	537 36 06-01	3		
8	503 23 00-59	1		
9	725 53 29-56	2		
10	503 52 13-03	1		
11	503 62 49-01	1		10
12	503 52 15-01	1		10
13	503 23 00-04	2		10
14	501 61 58-01	1		10
15	503 81 30-01	1		10
16	503 81 13-01	1		10
17	503 42 67-01	1		
18	501 54 41-02	1		
19	504 30 00-26	1		
20	503 64 47-01	1		
21	503 77 43-01	1		
22	537 20 78-05	1		

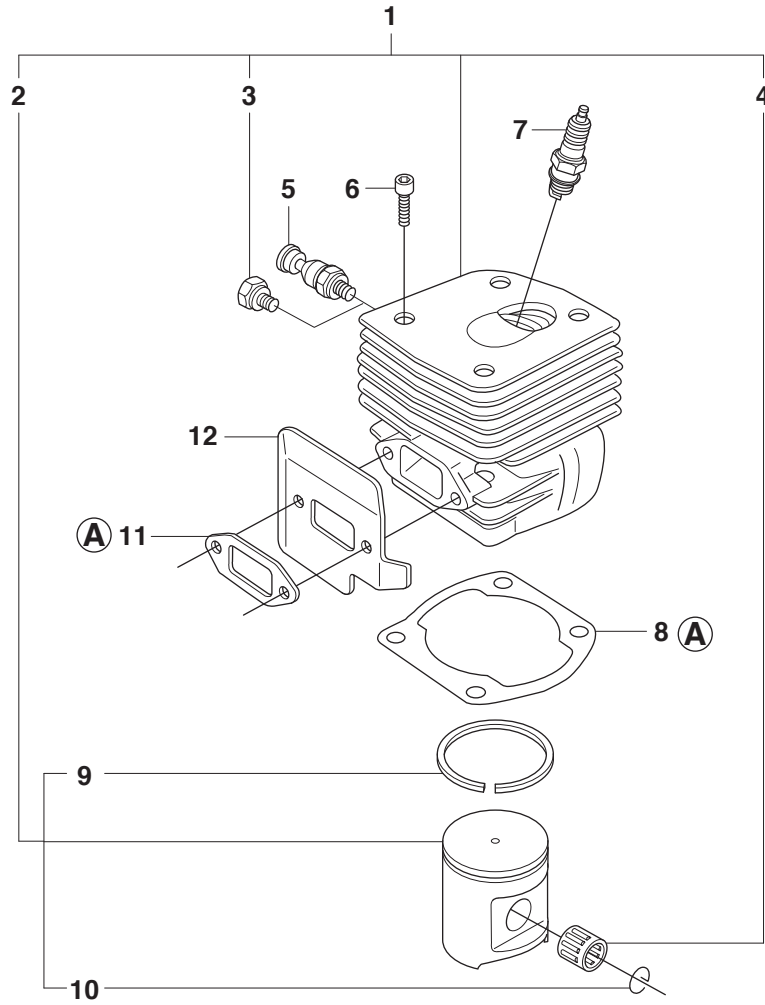
C 365H
CYLINDER COVER



CYLINDER COVER

Position	Article	Quantity	Notes	Kit
1	503 62 78-07	1		
2	503 98 74-01	1		1
3	503 20 34-25	3		1
4	503 62 80-01	1		1
5	503 74 01-02	2		1
6	537 01 65-01	1		
7	544 41 16-01	1		

D 365H
CYLINDER PISTON

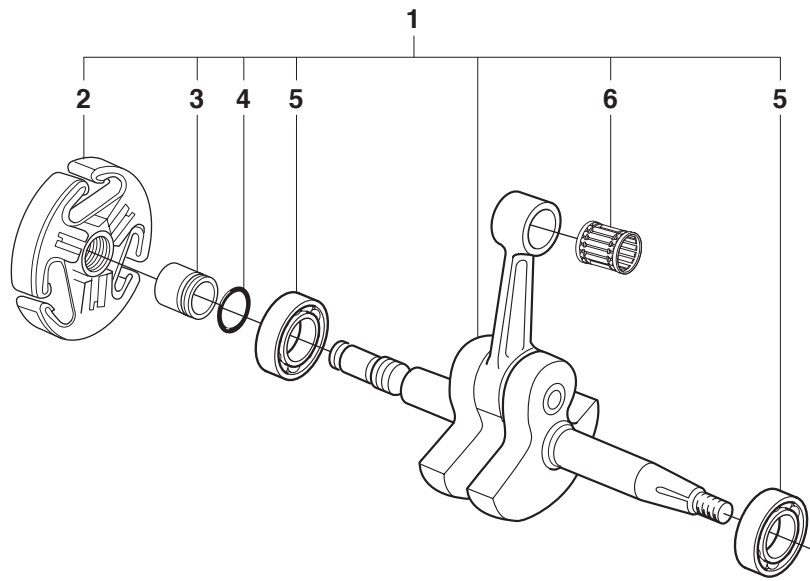


13

(A) 503 64 72-01
Set of gaskets

Position	Article	Quantity	Notes	Kit
1	503 93 90-05	1		
2	503 69 13-03	1		1
3	503 55 22-01	1		1
4	503 25 56-01	1		1
5	503 71 53-01	1		
6	725 53 33-55	4		
7	503 23 51-08	1	RCJ 7Y	
8	503 96 15-01	1		13
9	503 28 90-15	1		1, 2
10	737 43 12-00	2		1, 2
11	503 77 59-01	1		13
12	503 77 58-02	1		
13	503 64 72-01	1	A = Set of gaskets	

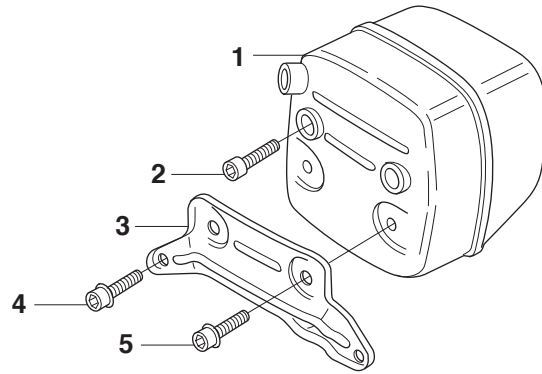
E 365H
CRANKSHAFT



CRANKSHAFT

Position	Article	Quantity	Notes	Kit
1	544 38 45-01	1		
2	503 74 44-01	1		1
3	503 77 91-01	1		1
4	503 26 30-19	1		1
5	503 25 08-01	2		1
6	503 25 56-01	1		1

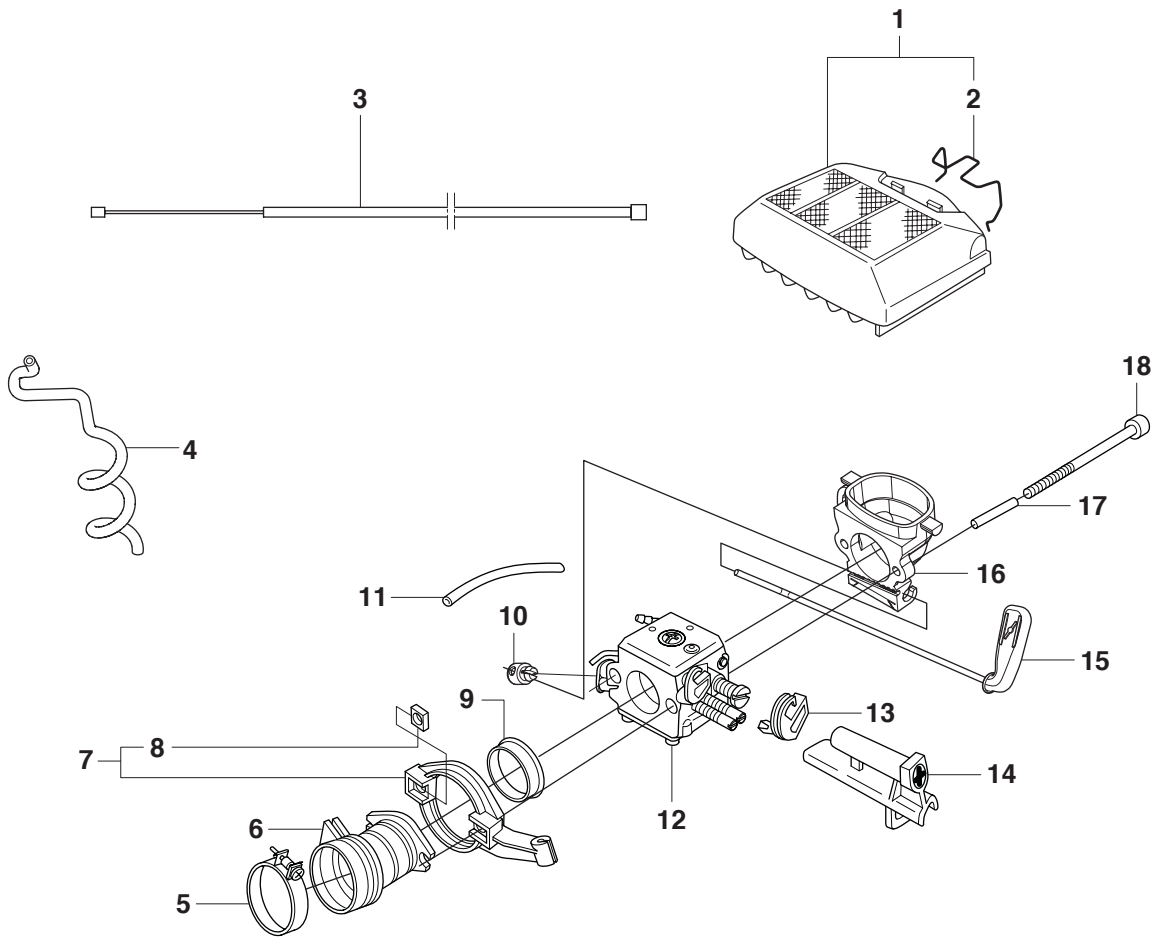
F 365H
MUFFLER



MUFFLER

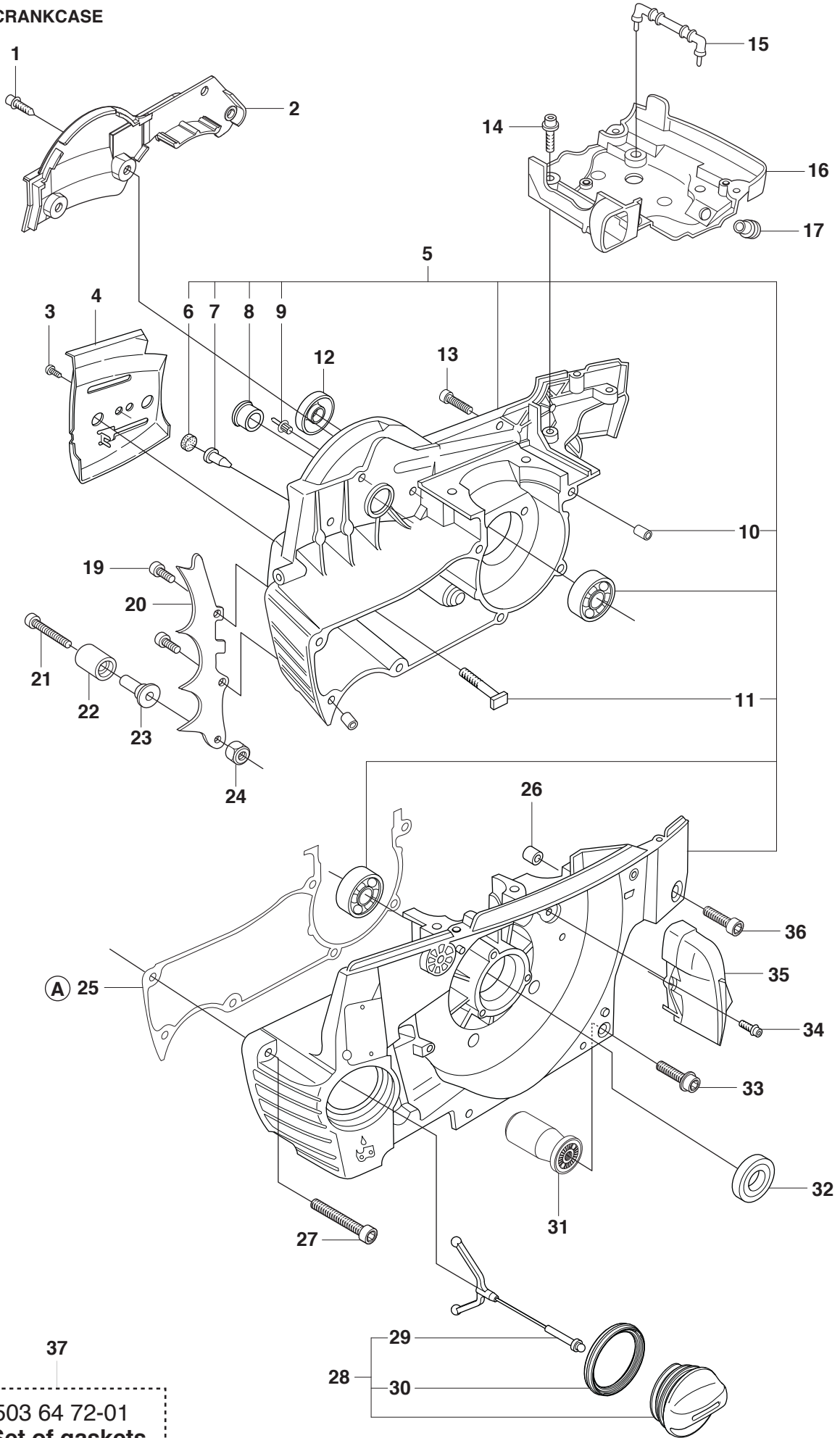
Position	Article	Quantity	Notes	Kit
1	544 02 95-01	1	DF	
2	725 53 70-55	2		1
3	503 76 65-03	1		1
4	503 20 07-74	2		
5	503 20 07-02	2		

G 365H
CARBURETOR AND AIR FILTER



Position	Article	Quantity	Notes	Kit
1	575 26 91-01	1	80 μ	
1	575 26 91-02	1	44 μ	
1	575 26 91-03	1	Felt	
2	503 73 54-01	1		1
3	537 44 15-02	1		
4	544 32 49-16	1	265 mm	
5	505 28 33-01	1		
6	503 96 45-02	1		
7	503 71 27-01	1		
8	503 22 65-03	2		5
9	503 43 18-01	1		
10	537 44 14-01	1		
11	503 40 06-06	1		
12	503 28 18-04	1	Walbro HD-6B	
13	503 68 41-01	1		
14	503 66 53-01	1		
15	537 44 12-01	1		
16	537 44 16-01	1		
17	503 70 11-01	2		
18	725 53 05-55	2		

H 365H
CRANKCASE

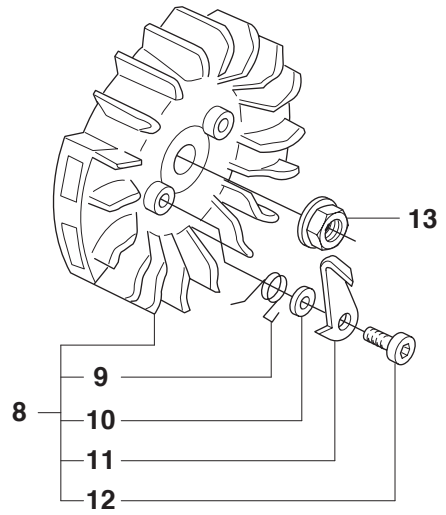
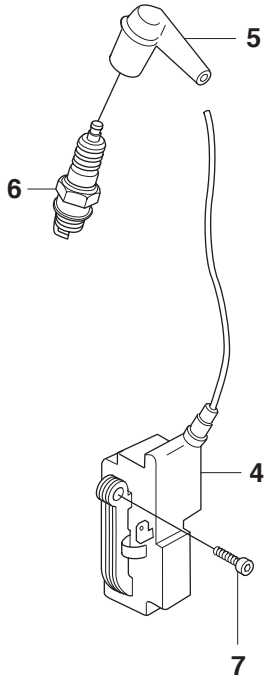
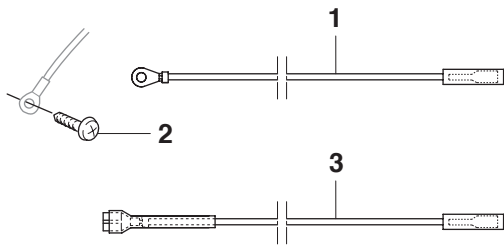


A 503 64 72-01
Set of gaskets

Position	Article	Quantity	Notes	Kit
1	503 20 02-12	4		
2	537 44 11-01	1		
3	503 21 28-10	1		
4	537 04 66-01	1		
5	503 62 68-08	1		
6	537 40 35-01	1		5
7	530 02 61-19	1		5
8	503 96 70-01	1		5
9	503 75 18-01	1		5
10	501 27 08-01	2		5
11	537 05 13-01	2		5
12	503 26 03-01	1		
13	503 74 93-01	1		
14	503 20 02-12	4		
15	503 67 86-01	1		
16	503 62 73-05	1		
17	537 09 54-01	1		
19	503 20 02-16	2		
20	537 01 71-01	1		
21	503 20 07-80	1		
22	537 02 44-01	1		
23	537 08 92-01	1		
24	503 22 24-01	1		
25	503 62 72-01	1		37
26	503 85 73-01	1		
27	503 20 08-70	6		
28	537 21 52-02	1		
29	503 57 89-01	1		
30	537 21 50-01	1		
31	501 86 70-01	1		
32	505 27 57-19	1		
33	503 20 02-10	1		
34	503 20 02-12	1		
35	503 62 84-01	1		
36	725 53 31-65	1		
37	503 64 72-01	1	A = Set of gaskets	

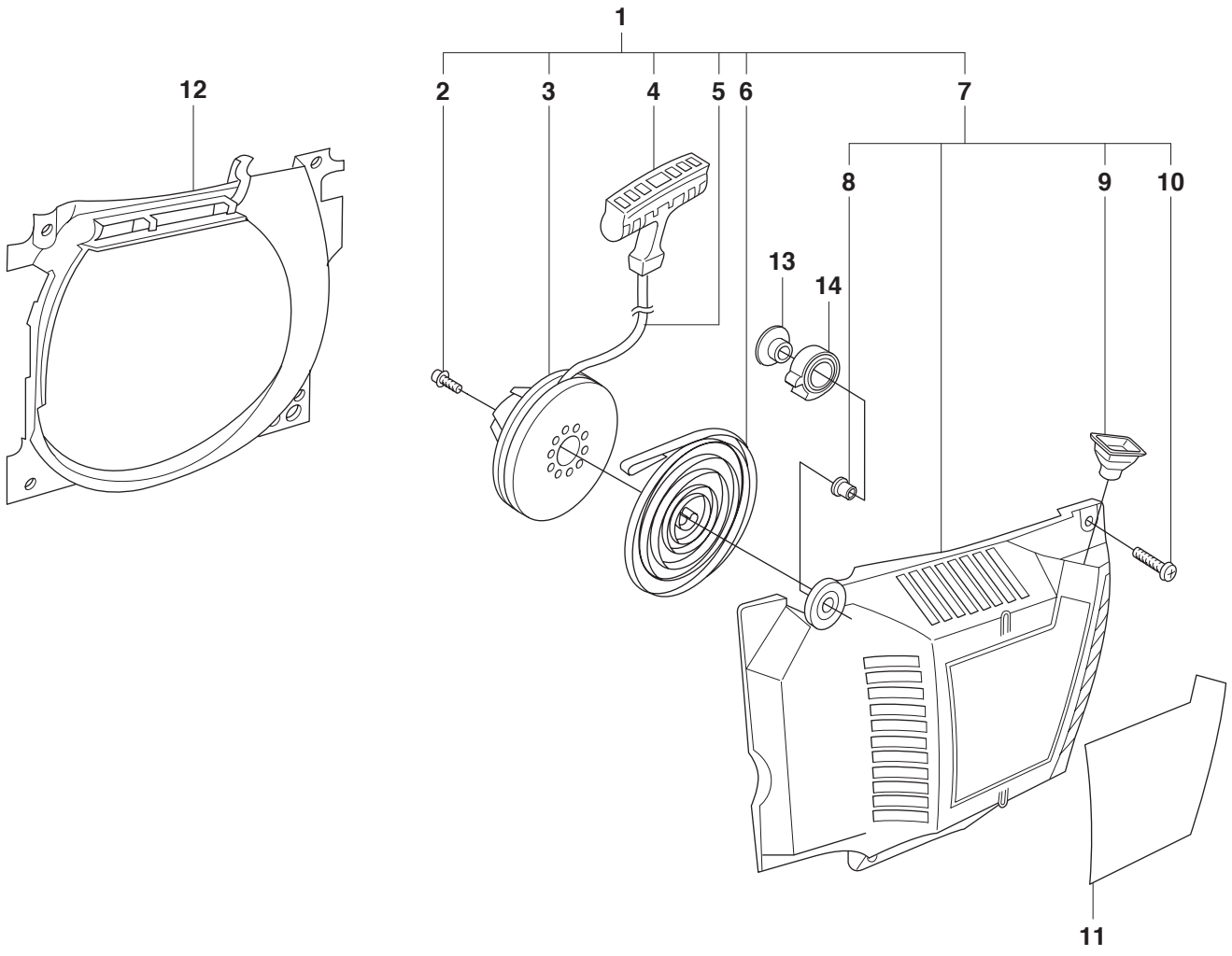
J

365H IGNITION SYSTEM



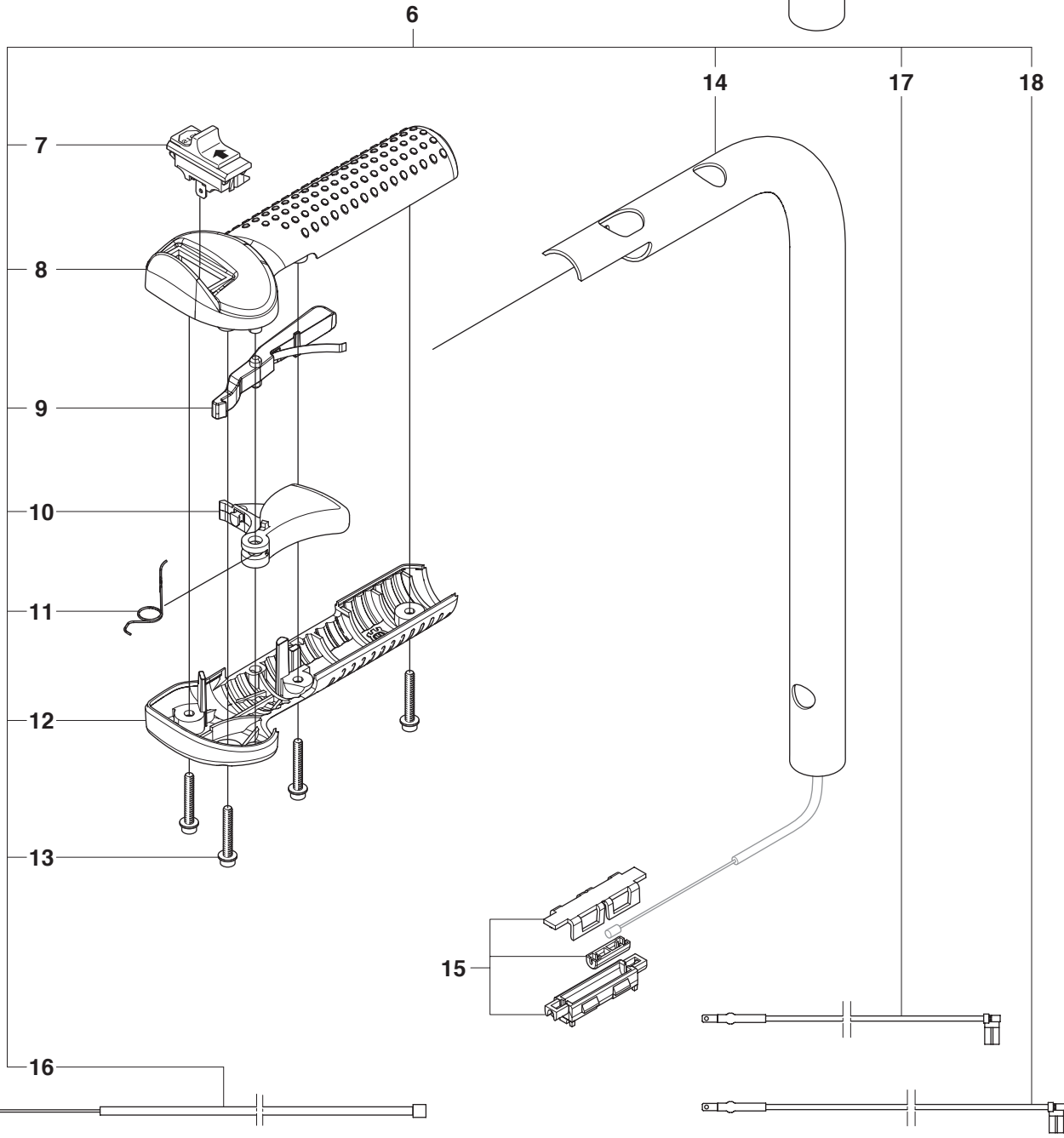
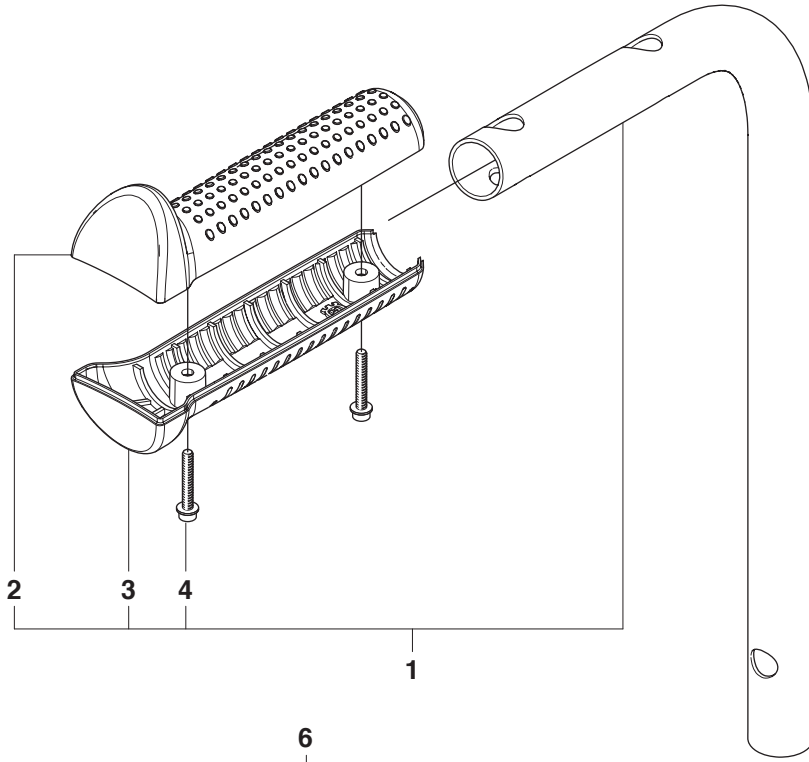
Position	Article	Quantity	Notes	Kit
1	544 11 84-01	1		
2	503 21 28-10	1		
3	544 11 85-01	1		
4	544 04 71-01	1		
5	501 48 54-02	1		
6	503 23 51-11	1	NGK BPMR7A	
6	503 23 51-08	1	RCJ 7Y	
7	503 20 02-20	2		
8	537 05 16-05	1		
9	501 67 35-01	2		8
10	503 23 00-42	2		8
11	537 01 55-01	2		8
12	501 81 99-01	2		8
13	503 22 04-01	1		

K 365H
STARTER



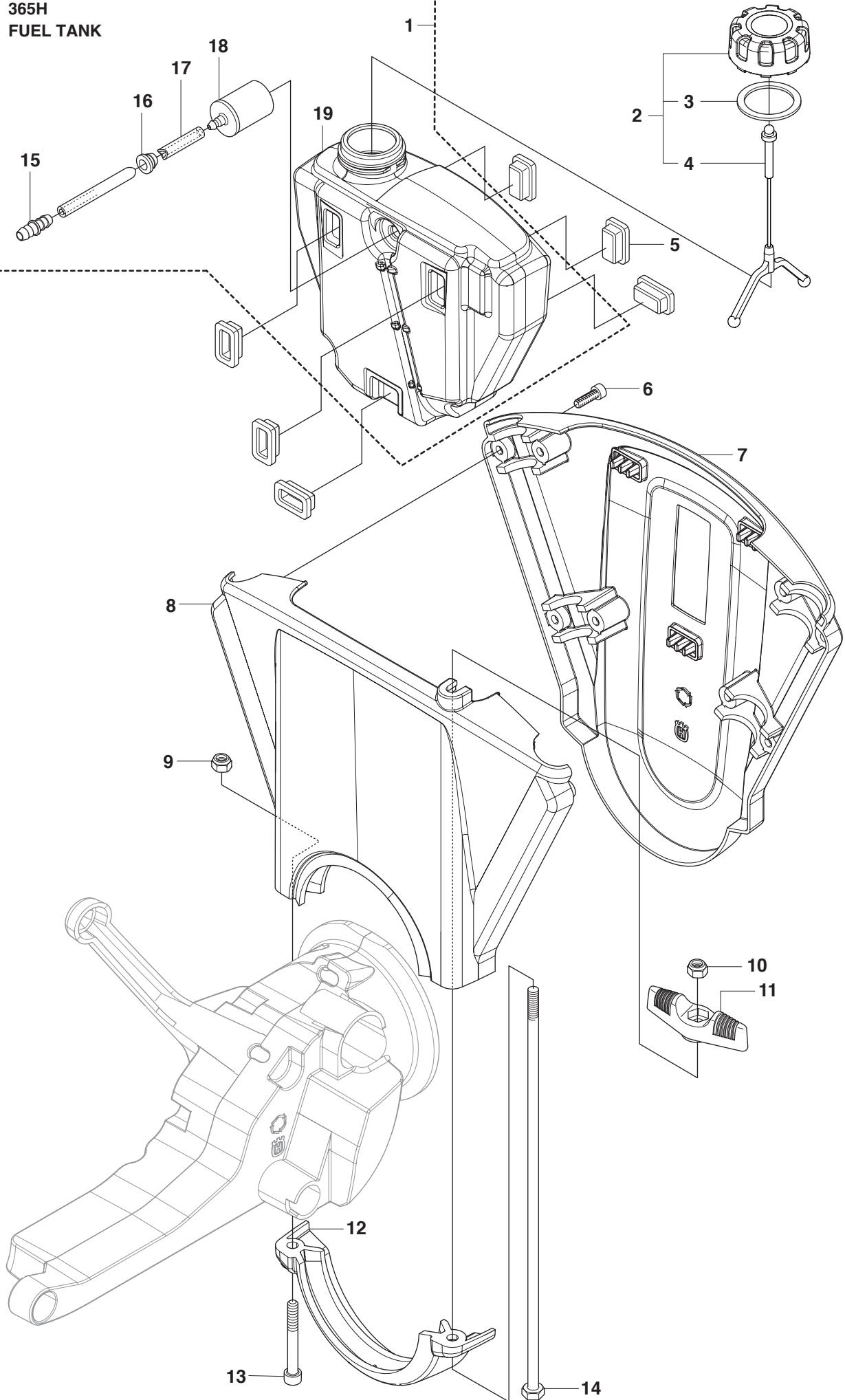
Position	Article	Quantity	Notes	Kit
1	503 62 81-71	1		
2	503 21 52-16	1		1
3	503 85 96-01	1		1
4	503 54 39-01	1		1
5	503 43 29-02	1		1
6	503 78 72-01	1		1
7	503 62 82-01	1		1
8	537 08 67-01	1		1, 7
9	501 63 06-01	1		1, 7
10	544 08 03-01	4		1, 7
11	544 41 16-01	1		
12	503 62 83-01	1		
13	503 77 52-01	1		
14	506 26 98-01	1		

L 365H
HANDLE



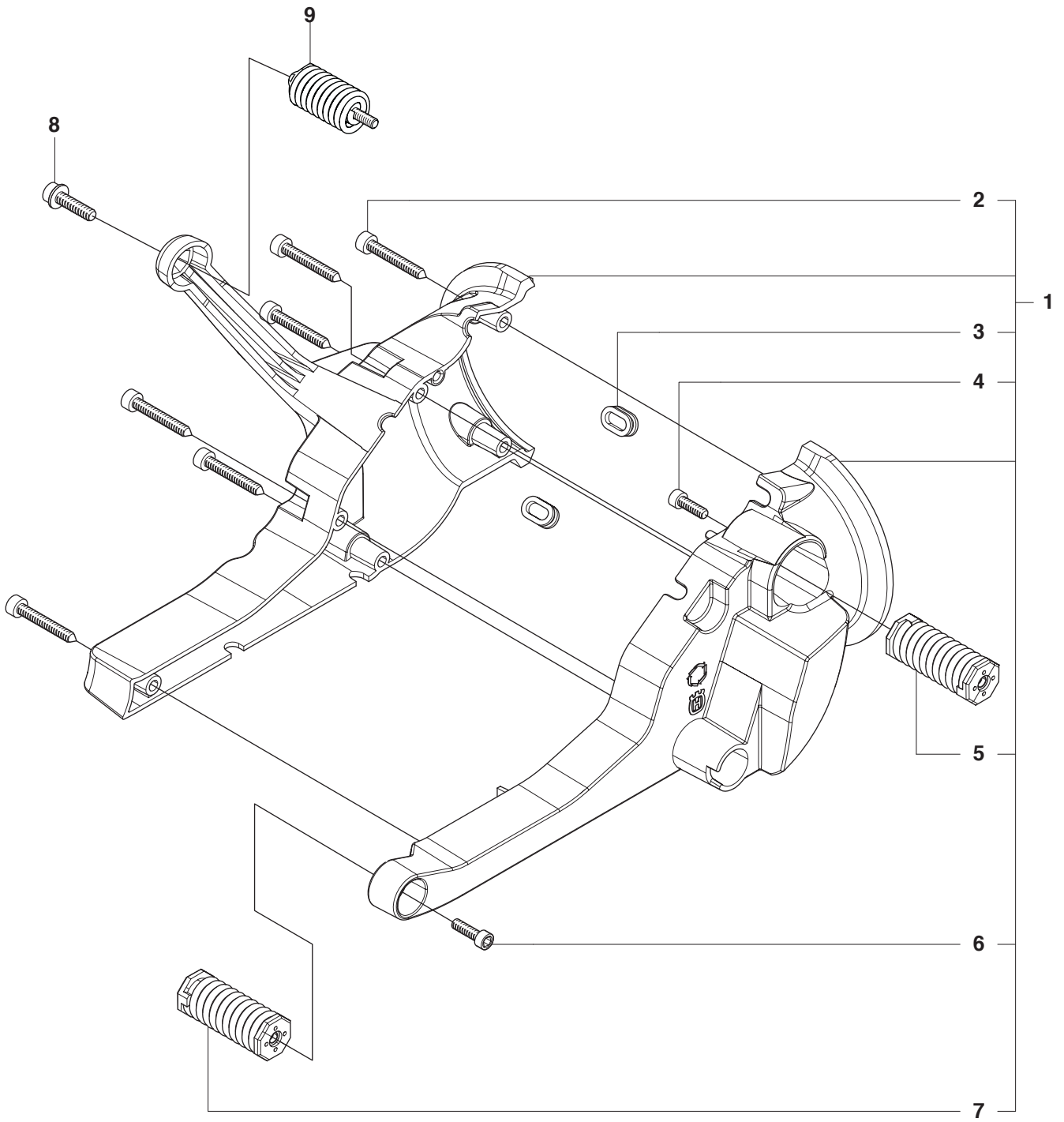
Position	Article	Quantity	Notes	Kit
1	537 44 01-01	1		
2	537 44 02-01	1		1
3	537 44 03-01	1		1
4	503 21 71-16	2		1
6	537 43 96-01	1		
7	503 71 82-01	1		6
8	537 43 99-01	1		6
9	544 06 14-01	1		6
10	537 43 97-01	1		6
11	537 17 42-01	1		6
12	537 44 00-01	1		6
13	503 21 71-16	4		6
14	537 44 04-01	1		6
15	544 46 00-01	1		
16	537 44 15-01	1		6
17	544 11 83-02	1	500 mm	6
18	544 11 83-01	1	600 mm	6

M 365H
FUEL TANK

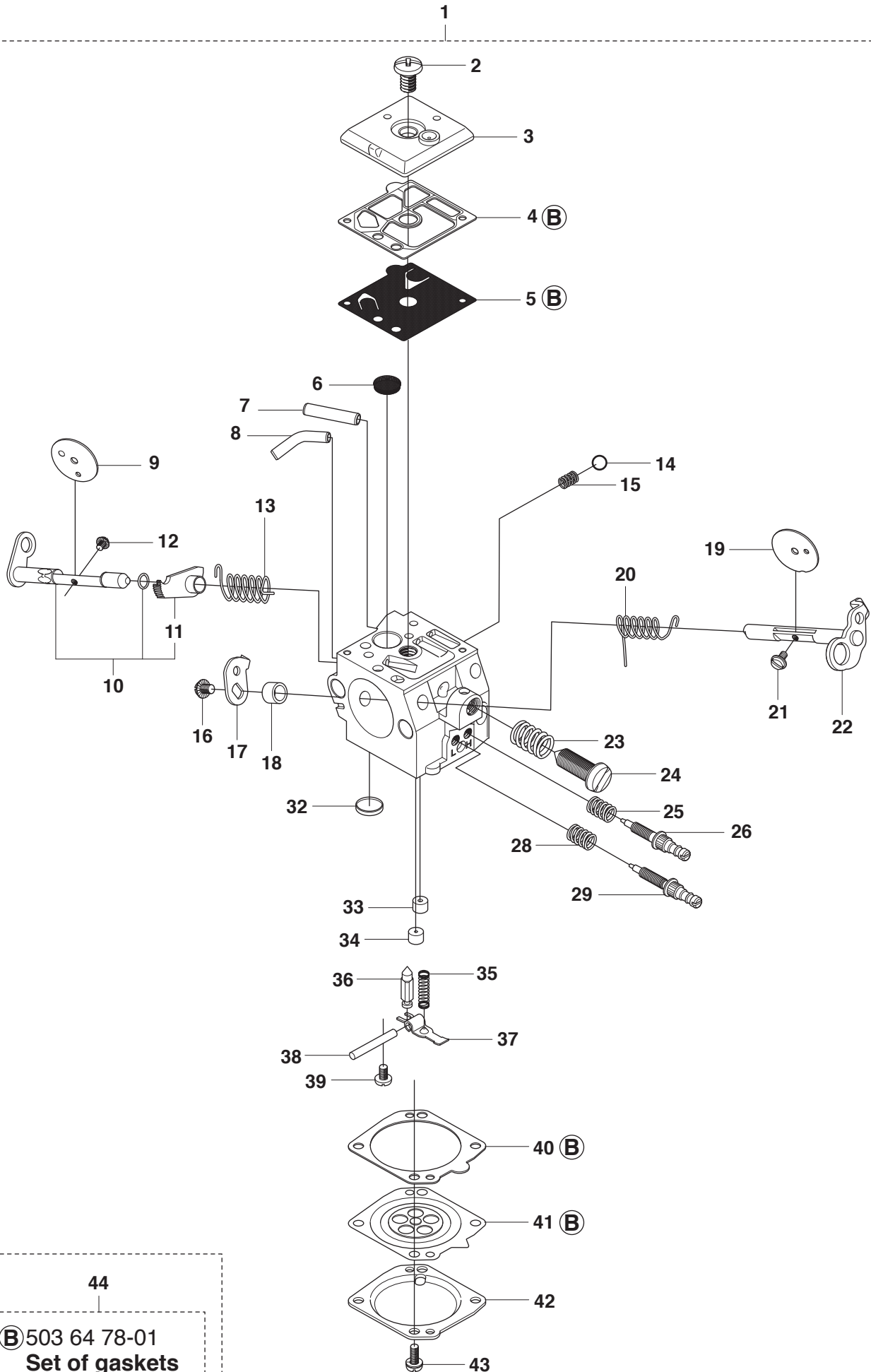


Position	Article	Quantity	Notes	Kit
1	544 09 42-02	1		
2	504 11 32-01	1		1
3	501 27 82-01	1		1, 2
4	503 57 89-01	1		1, 2
5	503 91 10-01	6		1
6	725 53 31-55	8		1
7	537 43 94-01	1		1
8	537 43 93-01	1		1
9	732 25 16-01	1		1
10	732 25 16-01	1		1
11	502 20 38-01	1		1
12	537 43 95-01	1		1
13	725 53 80-06	1		1
14	544 08 18-01	1		1
15	537 05 46-01	1		
16	503 73 58-01	1		
17	544 32 49-36	1		
18	503 44 32-01	1		
19	537 44 06-01	1		

N 365H
CONSOLE



Position	Article	Quantity	Notes	Kit
1	544 09 39-01	1		
2	503 20 08-70	6		1
3	537 08 83-01	2		1
4	503 20 02-20	1		1
5	544 26 71-01	1		1
6	503 20 02-20	1		1
7	544 26 71-01	1		1
8	503 21 05-22	1		
9	503 63 75-02	1	STD	

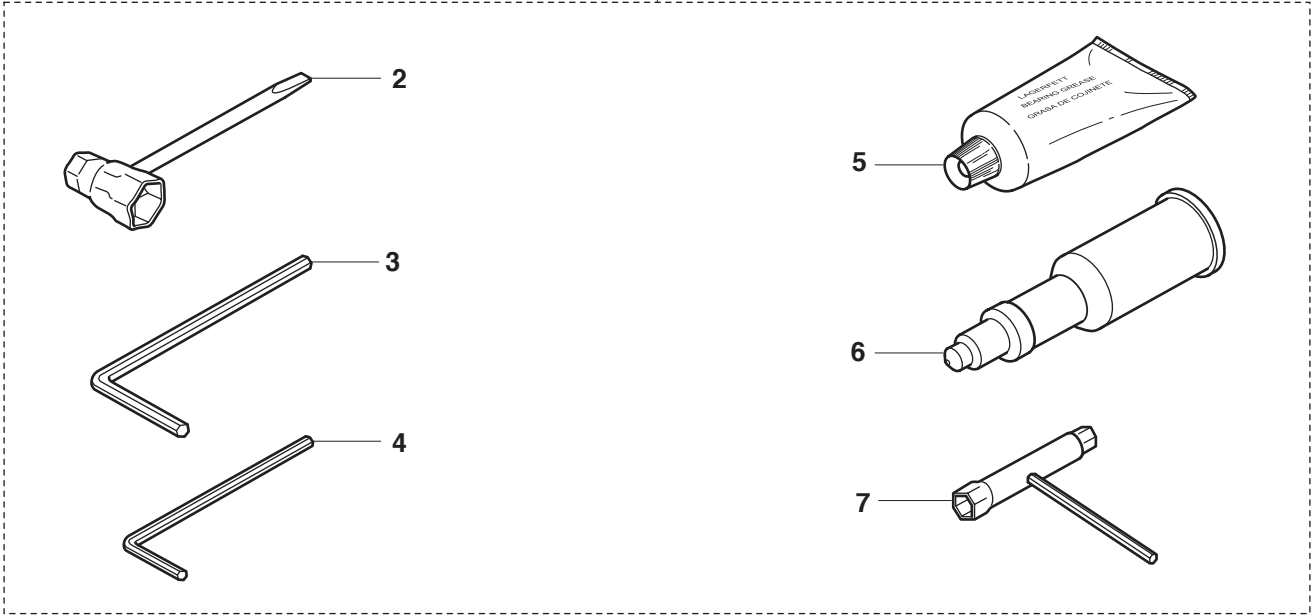


(B) 503 64 78-01
Set of gaskets

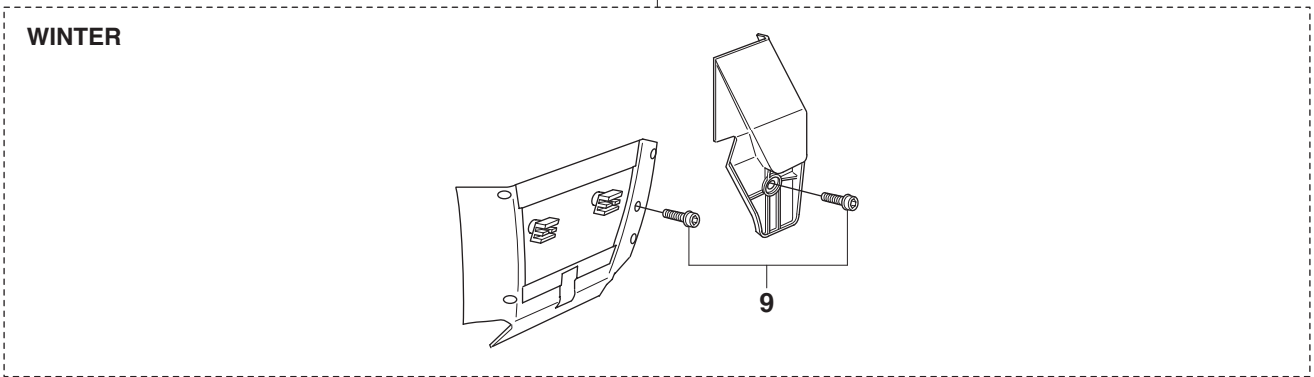
Page P 365H		CARBURETOR		
Position	Article	Quantity	Notes	Kit
1	503 28 18-04	1	Walbro HD-6B	
2	501 46 69-01	1		
3	503 79 98-01	1		
4	501 66 69-01	1		1, 44
5	502 25 47-01	1		1, 44
6	501 66 61-01	1		
7	503 85 59-01	1		
8	503 80 14-01	1		
9	503 85 58-01	1		
10	537 01 91-01	1		
11	537 01 89-01	1		1, 10
12	501 46 87-01	1		
13	537 01 90-01	1		
14	501 46 85-01	1		
15	501 46 84-01	1		
16	501 46 87-01	1		
17	503 79 96-01	1		
18	503 80 15-01	1		
19	503 80 00-01	1		
20	503 80 09-01	1		
21	530 03 50-15	1		
22	503 79 99-01	1		
23	501 66 78-01	1		
24	503 80 08-01	1		
25	501 66 77-01	1		
26	503 80 11-01	1	H	
28	501 66 77-01	1		
29	504 02 72-13	1	L	
31	503 91 54-01	1		
32	503 57 42-01	1		
33	503 80 04-01	1		
34	503 68 82-01	1		
35	503 56 24-01	1		
36	503 56 34-01	1		
37	501 66 83-01	1		
38	505 52 01-25	1		
39	505 31 67-17	1		
40	504 13 09-05	1		1, 44
41	503 80 07-01	1		1, 44
42	537 07 76-01	1		
43	503 10 87-01	4		
44	503 64 78-01	1	B = Set of gaskets	

Q 365H
ACCESSORIES

1



8



ACCESSORIES

Position	Article	Quantity	Notes	Kit
1	503 55 85-03	1		
2	501 69 17-01	1		1
3	503 55 86-02	1	NV5	1
4	503 55 86-01	1	NV4	1
5	503 62 12-01	1		1
6	501 91 14-01	1		1
7	501 68 89-01	1		1
8	503 96 90-08	1	WINTER	
9	503 21 27-16	2		8