

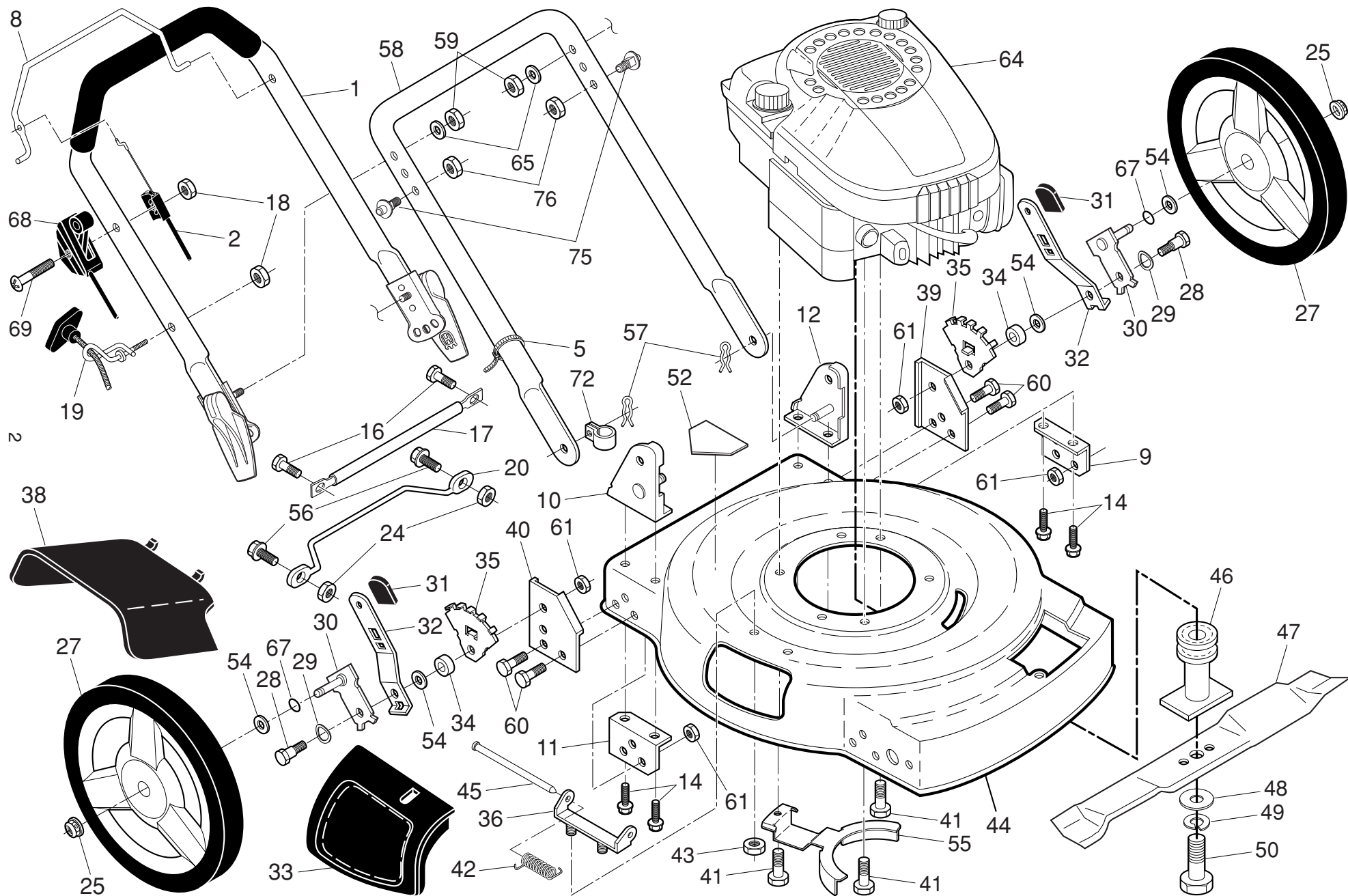
ILLUSTRATED PARTS LIST

MODEL NUMBER J 55S L

PRODUCT NUMBER 961 21 00-18

MFG. ID. NUMBER 96121001804

ROTARY LAWN MOWER - - MODEL NUMBER J 55S L (96121001804) PRODUCT NUMBER 961 21 00-18



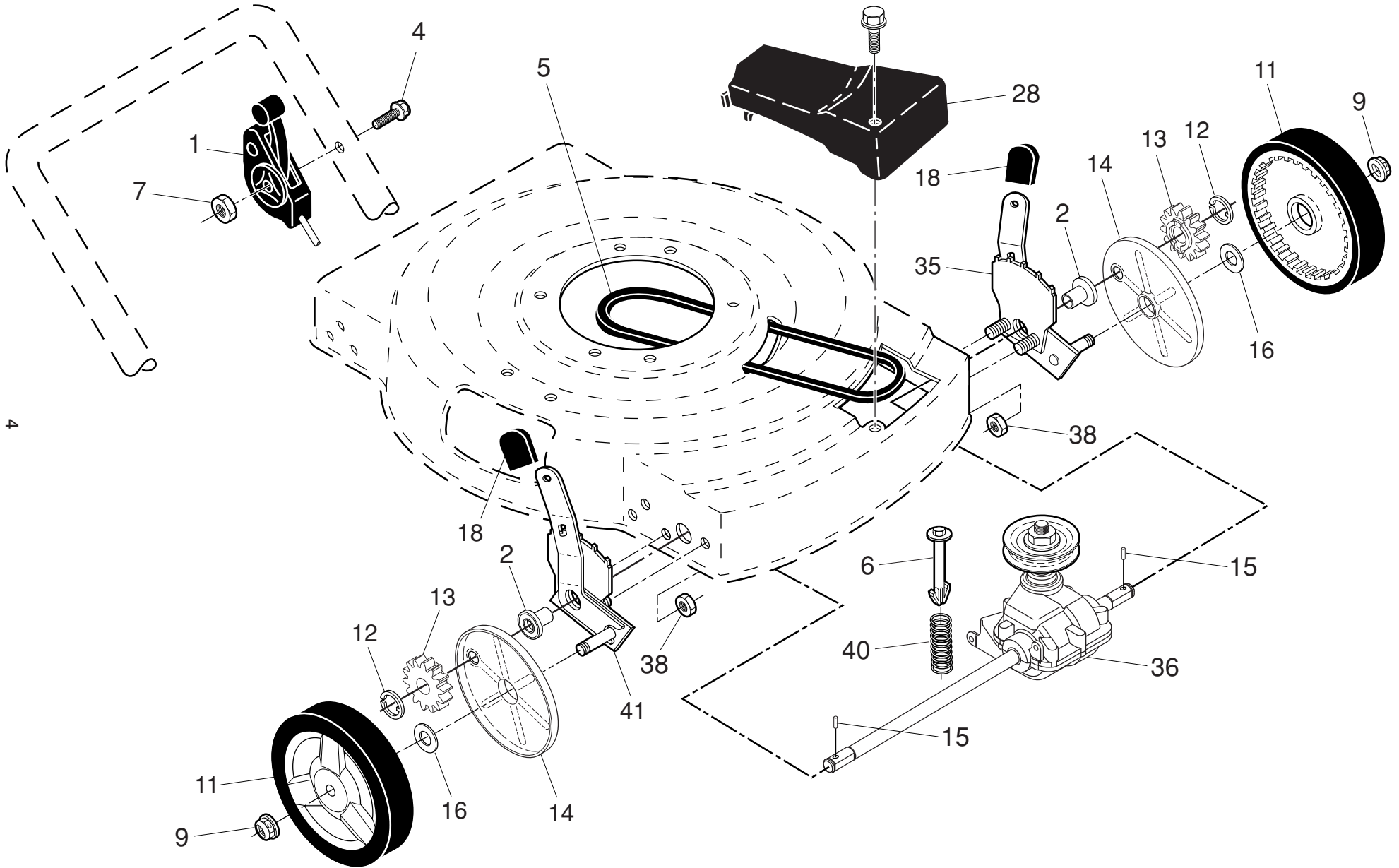
ROTARY LAWN MOWER - - MODEL NUMBER **J 55S L** (96121001804) PRODUCT NUMBER 961 21 00-18

KEY NO.	PART NO.	DESCRIPTION	KEY NO.	PART NO.	DESCRIPTION
1	532 42 08-35	Upper Handle Assembly	42	532 15 21-24	Spring, Torsion
2	532 14 92-93	Engine Zone Control Cable	43	873 80 04-00	Locknut, Hex
5	532 06 64-26	Wire Tie	44	532 40 06-60	Kit, Mower Housing (Includes Key Number 52)
8	532 19 05-27	Control Bar	45	532 14 72-86	Rod, Hinge
9	532 19 58-00	Support Bracket, Handle, LH	46	532 42 11-76	Blade Adapter / Pulley
10	532 42 44-45	Handle Bracket Assembly, RH	47	532 19 93-79	Blade, 22"
11	532 19 57-99	Support Bracket, Handle, RH	48	532 85 10-74	Washer, Hardened
12	532 42 44-46	Handle Bracket Assembly, LH	49	532 85 02-63	Washer, Lock, Helical
14	532 14 97-41	Screw, Thread Cutting 5/16-18 x 3/4	50	532 85 10-84	Screw, Hex Head 3/8-24 x 1-3/8 (Grade 8)
16	817 06 04-10	Screw, Hex Head, Self-Tapping 1/4-20 x 1/2	52	532 18 21-66	Decal, Danger
17	532 17 71-41	Rod, Support	54	532 08 83-48	Washer, Flat 3/8
18	532 13 20-04	Locknut, Keps	55	532 42 90-01	Belt Keeper
19	532 19 47-88	Rope Guide	56	871 19 10-12	Screw, Hex Washer Head #10-24 x 1/2
20	532 43 19-95	Foot Guard	57	532 05 17-93	Hairpin Cotter
24	532 06 91-80	Nut, Hex	58	532 41 93-63	Lower Handle
25	532 40 91-49	Locknut, Hex 3/18-16	59	532 40 04-13	Locknut, Hex 1/4-20
27	532 41 08-15	Wheel & Tire Assembly, Rear	60	874 76 06-12	Bolt, Hex Head 3/8-16 x 3/4
28	532 17 47-19	Shoulder Bolt	61	873 93 06-00	Locknut, Hex
29	532 40 16-30	Curved Washer	64	- - -	Engine, Briggs & Stratton, Model Number 124T02-6254-H1 (Order parts from engine manufacturer)
30	532 40 65-82	Axle Arm Assembly	65	532 15 54-15	Washer, Flat
31	532 13 28-00	Knob, Selector	67	532 19 74-80	O-Ring
32	532 40 64-28	Spring, Selector	68	532 42 06-11	Control Throttle
33	532 19 60-10	Discharge Guard	69	532 18 33-65	Screw Hex 1/4 x 20 x 2.17
34	532 40 16-29	Spacer	72	532 19 79-91	Clip, Cable
35	532 41 08-07	Bracket, Wheel Adjuster	75	532 19 92-55	Stud
36	532 15 41-32	Bracket, Housing	76	532 75 11-53	Nut, Hex
38	532 19 60-11	Deflector, Discharge	--	532 18 21-34	Warning Decal (not shown)
39	532 41 93-62	Support Bracket, LH	--	532 41 90-73	Operator's Manual, European
40	532 41 93-61	Support Bracket, RH	--	532 41 90-74	Operator's Manual, Scandinavian
41	532 15 04-06	Screw, Hex Head, Threaded, Rolled 3/8-16 x 1-1/8	--	532 41 90-75	Operator's Manual, East Bloc
			--	532 41 90-76	Operator's Manual, Baltic

NOTE: All component dimensions given in U.S. inches. 1 inch = 25.4 mm

IMPORTANT: Use only Original Equipment Manufacturer (O.E.M.) replacement parts. Failure to do so could be hazardous, damage your lawn mower and void your warranty.

ROTARY LAWN MOWER - - MODEL NUMBER J 55S L (96121001804) PRODUCT NUMBER 961 21 00-18



ROTARY LAWN MOWER - - MODEL NUMBER **J 55S L** (96121001804) PRODUCT NUMBER 961 21 00-18

KEY NO.	PART NO.	DESCRIPTION	KEY NO.	PART NO.	DESCRIPTION
1	532 18 45-88	Drive Control Assembly (Includes Cable)	14	532 18 94-03	Dust Cover
2	532 19 10-39	Bearing, Wheel Adjuster	15	532 40 48-45	Pawl, Drive
4	532 15 87-55	Screw, Machine, Pan Head 1/4-20 x 2-3/16	16	532 06 77-25	Washer
5	532 14 65-27	V-Belt	18	532 13 28-00	Knob, Selector
6	532 15 04-95	Bolt, Hex Head 1/4-20 x 2	28	532 43 26-69	Drive Cover Assembly (Includes Mounting Screw and Pushnut)
7	532 19 17-30	Nut, Hex	35	532 43 84-85	Kit, Wheel Adjuster, LH (Includes Knob and Bearing)
9	532 40 91-48	Locknut, Hex	36	532 41 52-26	Gear Case Assembly, Complete
11	532 41 10-81	Wheel & Tire Assembly	38	873 80 04-00	Locknut, Hex
12	812 00 00-58	E-Ring	40	532 13 70-90	Spring
13	532 40 38-49	Pinion	41	532 43 84-86	Kit, Wheel Adjuster, RH (Includes Knob and Bearing)

NOTE: All component dimensions given in U.S. inches. 1 inch = 25.4 mm

IMPORTANT: Use only Original Equipment Manufacturer (O.E.M.) replacement parts. Failure to do so could be hazardous, damage your lawn mower and void your warranty.