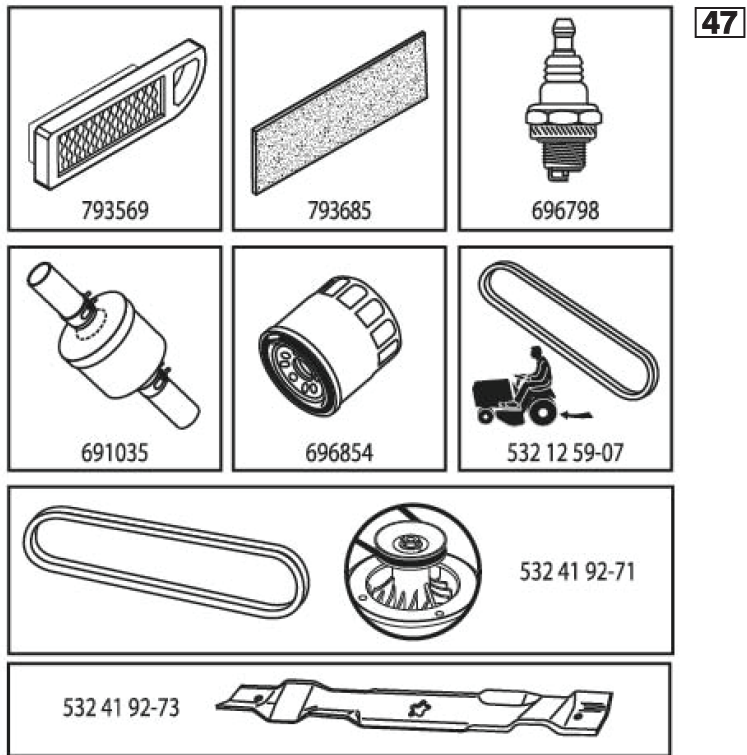


ILLUSTRATED PARTS LIST

MFG. ID NO. 96041016903/04

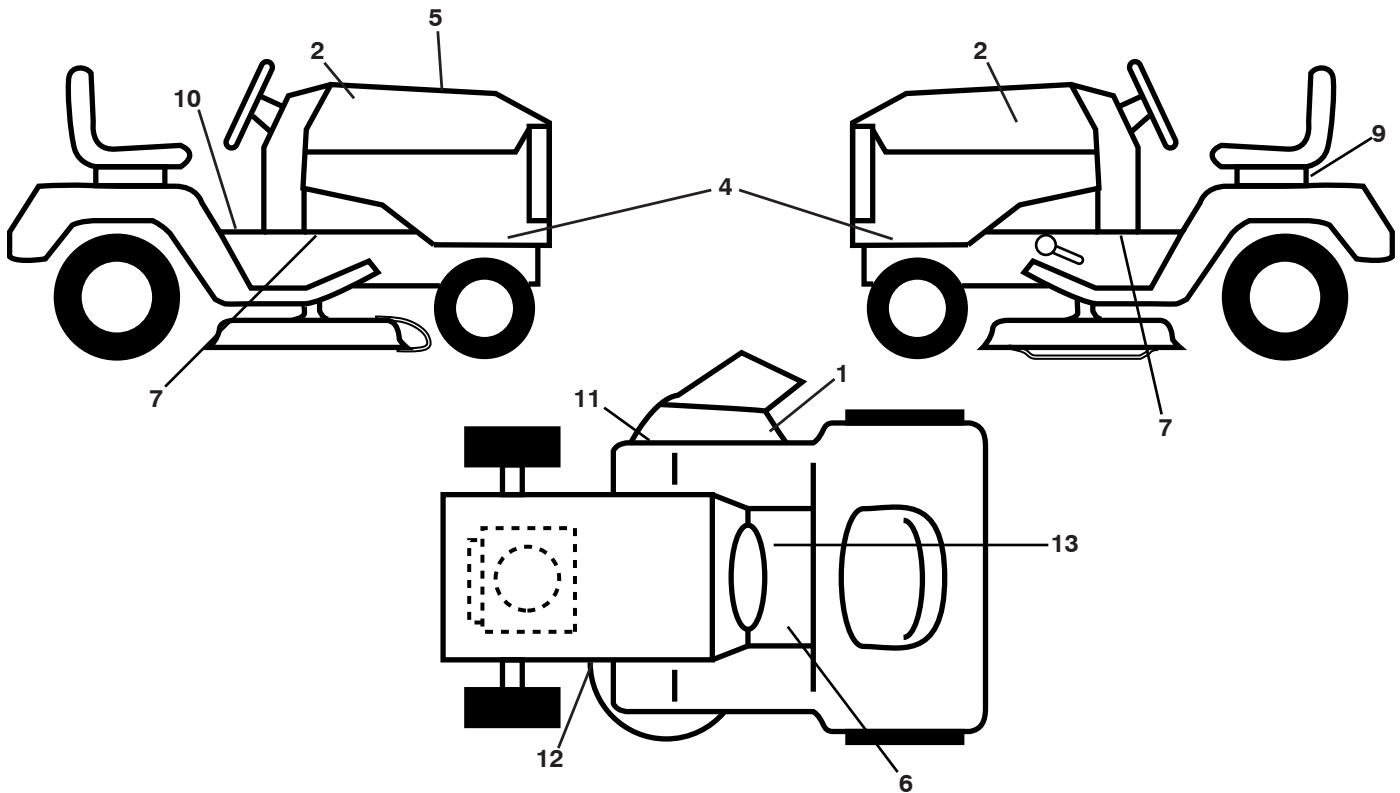
CUSTOMER CATALOG NO. LTH19530

PROD NO. 960 41 01-69



443833

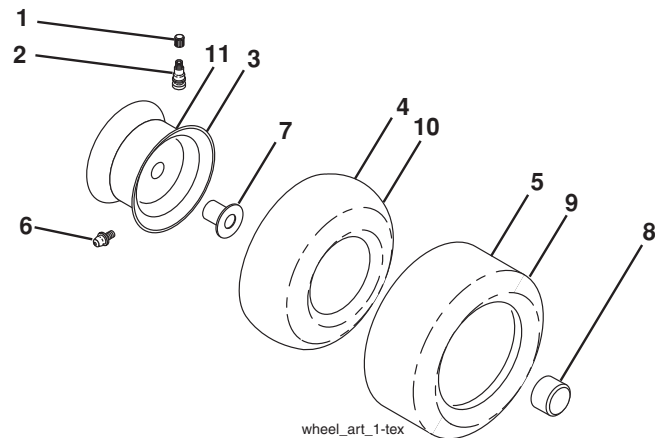
TRACTOR - - MODEL NO. LTH19530 (96041016903/04), PROD NO. 960 41 01-69
DECALS 27



KEY NO.	PART NO.	DESCRIPTION
1	584 90 46-01	Decal, Deck/Deflect. Warning
2	581 62 73-01	Decal, Badge
4	532 44 40-13	Decal, Side Panel
5	532 44 38-33	Decal, Rpl.
6	581 72 40-01	Decal, Brake Clutch
7	581 57 96-01	Decal, Chassis Hot Muffler
9	532 14 50-05	Decal, Battery Dnge/Poi
10	581 57 81-01	Decal, Warning Symbols

KEY NO.	PART NO.	DESCRIPTION
11	581 57 93-01	Decal, Warning Deflector
12	581 58 00-04	Decal, Mower V-Belt Schematic
13	581 57 80-01	Decal, Saddle Brake Parking
--	581 72 46-01	Decal, Drawbar Load Limit
--	581 72 48-01	Decal, Bypass
--	532 43 96-81	Pad, Footrest, LH
--	532 43 96-82	Pad, Footrest, RH
--	532 44 39-96	Manual, Operators (English)

WHEELS AND TIRES



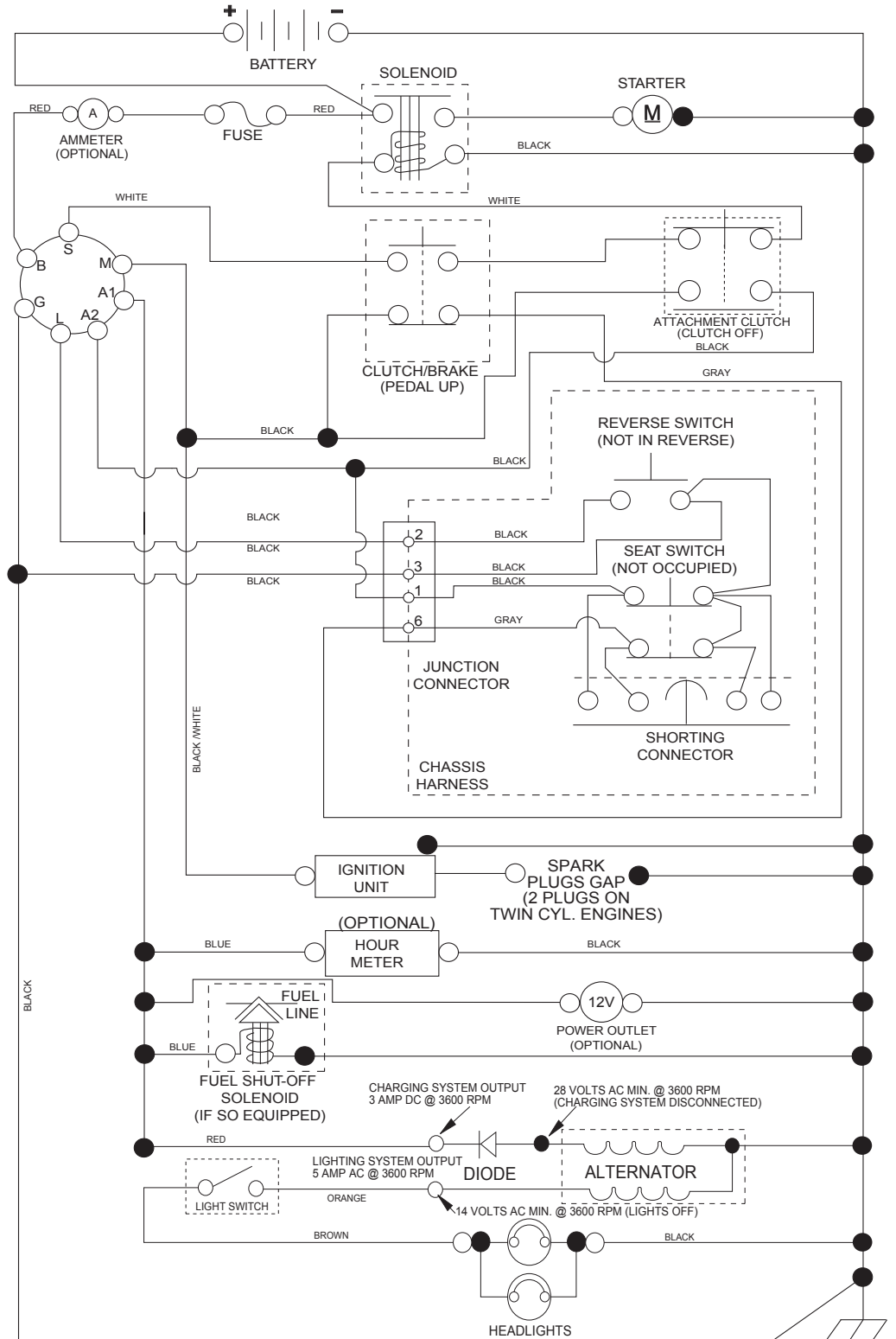
KEY NO.	PART NO.	DESCRIPTION
1	532 05 91-92	Cap Valve Tire
2	532 06 51-39	Stem Valve
3	532 42 52-61	Rim Asm 6" x 3.25 Front
4	532 42 16-52	Tube Front (Service Item Only)
5	532 12 34-10	Tire Front 13 x 5.0-6
6	532 12 49-57	Fitting Grease (Front Wheel Only)
7	532 12 49-59	Bearing Flange (Front Wheel Only)
8	532 17 50-39	Cap Axle Blk 1 50 x 1 00
9	532 10 62-30	Tire Rear 16 x 6 - 5
10	532 00 71-54	Tube Rear (Service Item Only)
11	532 42 52-62	Rim Asm 8" x 5.375 Rear
--	532 14 43-34	Sealant, Tire (10 oz. Tube)

NOTE: All component dimensions given in U.S. inches
 1 inch = 25.4 mm

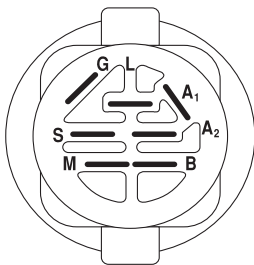
TRACTOR - - MODEL NO. LTH19530 (96041016903/04), PROD NO. 960 41 01-69

SCHEMATIC 38

SCH11

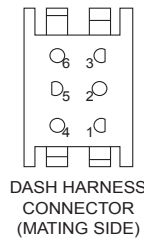
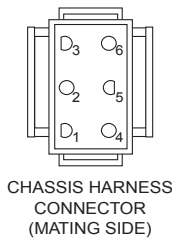


NOTE
YOUR TRACTOR IS EQUIPPED WITH A SPECIAL ALTERNATOR SYSTEM. THE LIGHTS ARE NOT CONNECTED TO THE BATTERY, BUT HAVE THEIR OWN ELECTRICAL SOURCE. BECAUSE OF THIS, THE BRIGHTNESS OF THE LIGHTS WILL CHANGE WITH ENGINE SPEED. AT IDLE THE LIGHTS WILL DIM. AS THE ENGINE IS SPEEDED UP, THE LIGHTS WILL BECOME THEIR BRIGHTEST.



IGNITION SWITCH

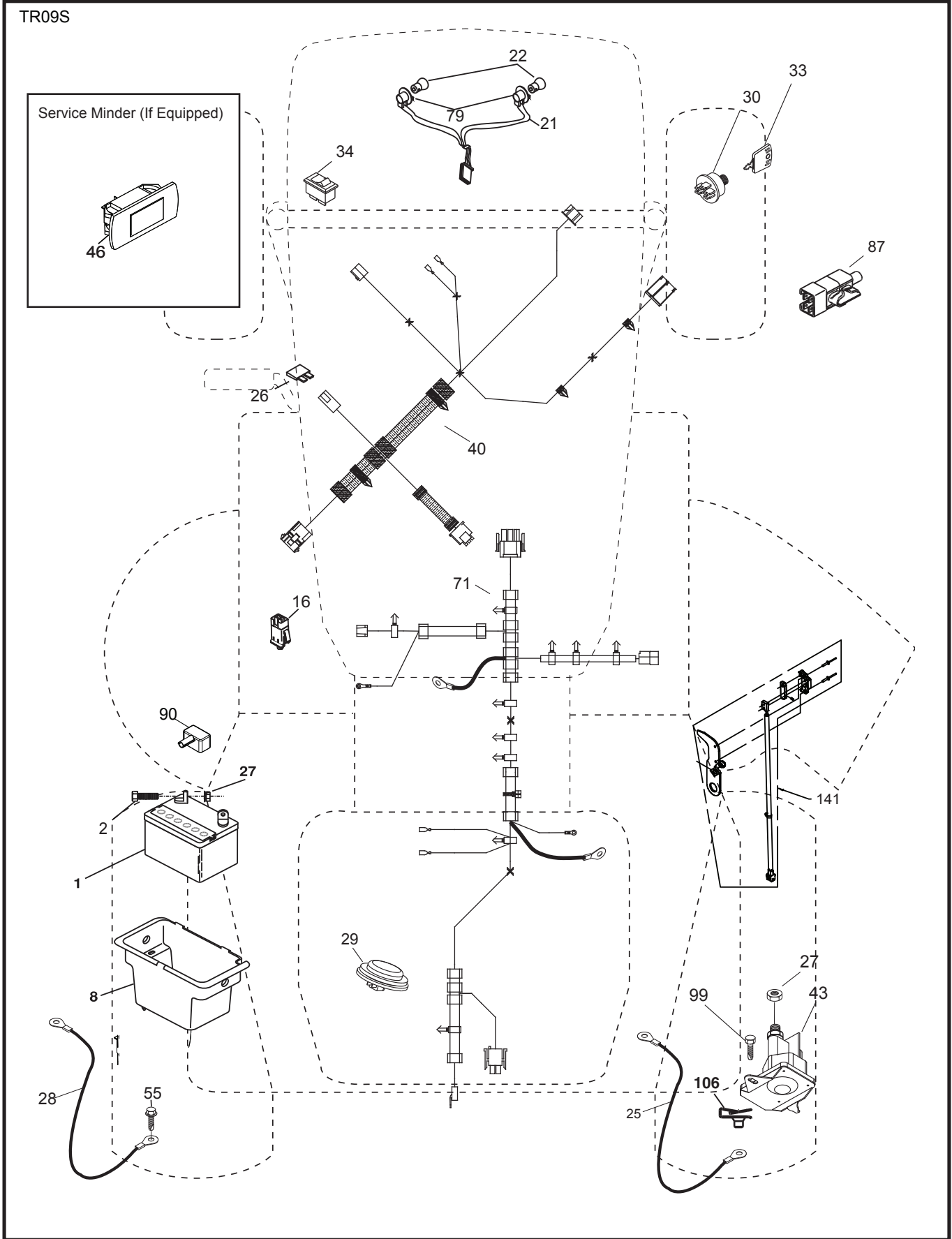
POSITION	CIRCUIT	"MAKE"
OFF	M+G+A1	
RUN/OVERRIDE	B+A1	
RUN	B+A1	L+A2
START	B+S+A1	



WIRING INSULATED CLIPS
NOTE: IF WIRING INSULATED CLIPS WERE REMOVED FOR SERVICING OF UNIT, THEY SHOULD BE RE-INSTALLED TO PROPERLY SECURE YOUR WIRING.

NON-REMOVABLE CONNECTIONS
REMOVABLE CONNECTIONS

TRACTOR - - MODEL NO. LTH19530 (96041016903/04), PROD NO. 960 41 01-69
ELECTRICAL 32



**TRACTOR - - MODEL NO. LTH19530 (96041016903/04), PROD NO. 960 41 01-69
ELECTRICAL 32**

KEY NO.	PART NO.	DESCRIPTION
1	532 14 49-24	Battery
2	874 76 04-12	Bolt Hex Head 1/4-20 x 3/4
8	532 19 32-28	Box Battery
16	532 17 61-38	Switch Interlock Push-In
21	532 40 02-52	Harness Socket Light w/4152J
22	532 00 41-52	Bulb Light
25	581 49 80-01	Cable Starter
26	532 17 51-58	Fuse
27	873 51 04-00	Nut Keps Hex 1/4-20 unc
28	532 42 16-86	Cable, Ground
29	532 40 15-45	Switch, Seat
30	532 19 33-50	Switch, Ign
33	532 41 19-33	Key/Chain
34	532 11 07-12	Switch Light/Reset
40	581 02 31-01	Harness Ign. Dash
43	532 19 25-07	Solenoid
46	532 40 17-63	Gauge Hourmeter
55	817 06 05-12	Screw Thdrol 5/16-18 x 3/4
71	581 02 30-01	Harness Chassis
79	532 17 52-42	Socket Asm Bulb Twistlock
87	532 19 78-02	Switch Interlock Clutch Cable
90	532 43 53-95	Cover, Terminal Battery
99	817 67 04-12	Screw Hexwsh
106	532 17 48-14	Pal Nut 1/4 lugs
141	532 41 69-77	Kit T2 ROS

NOTE: All component dimensions given in U.S. inches
1 inch = 25.4 mm

**TRACTOR - - MODEL NO. LTH19530 (96041016903/04), PROD NO. 960 41 01-69
CHASSIS AND ENCLOSURES 39**

KEY NO.	PART NO.	DESCRIPTION	KEY NO.	PART NO.	DESCRIPTION
3	532 40 50-12	Logo	194	873 90 05-00	Nut Lock Hex Flange 5/16-18
5	532 43 89-64	Dash	199	532 41 34-85	Plate Deck Lift
14	532 44 12-67	Hood	202	532 44 13-42	Vent Side Hood RH
15	532 41 10-79	Lens LH	203	532 44 13-43	Vent Side Hood LH
18	532 44 13-68	Grille	204	532 44 13-75	Vent Top Hood
25	532 41 10-78	Lens RH	205	532 44 13-44	Skirt Side RH
34	580 91 08-01	Plate Engine	206	532 44 13-45	Skirt Side LH
36	817 06 05-12	Screw 5/16-18 x 3/4	213	874 76 05-12	Bolt 5/16-18 x 3/4
37	532 44 12-66	Fender	214	532 19 91-45	Clip Retainer
52	873 68 05-00	Nut Crown Lock 5/16	217	532 40 91-67	Rod Pivot Hood
58	532 41 22-80	Drawbar, Upper	218	532 19 63-95	X-Piece Hood Stop
68	817 49 05-08	Screw THDROL 5/16-18 x 1/2	228	532 19 51-61	Stud Fastener
125	581 68 48-01	Clip Fuel Line	234	532 40 47-42	Bumper Hood
130	532 41 63-58	Screw #10 x .750 BOS Thread	235	532 40 61-29	Spacer Fender
137	532 40 75-90	Bumper Dash	236	873 93 05-00	Nut Lock 5/16-18 unc
146	581 85 79-01	Bolt	238	532 44 13-74	Trim
150	532 40 66-62	Air Duct	239	532 40 48-83	Clip Tinnerman
151	532 40 78-07	Bracket Pivot	282	532 41 41-10	Clip Retainer Console
152	532 19 95-35	Shield Browning	283	532 44 20-39	Console Deck Lift
159	817 00 06-12	Screw 3/8-16 x 3/4	284	532 43 98-23	Console Shift
162	532 14 24-32	Screw	285	532 41 63-15	Console Insert RH
175	532 19 94-72	Crossmember	286	532 41 63-17	Console Insert LH
176	532 40 07-76	Screw 10-24 x 5/8	287	817 60 04-06	Screw Hex Washhead 1/4-20 x 3/8
177	532 19 52-28	Bushing Steering	297	532 40 66-65	Insert Reflective LH
180	532 41 46-85	Chassis	306	873 90 06-00	Nut Lock
182	532 40 71-76	Dash Lower			
183	874 52 05-20	Bolt 5/16-18 x 1-1/4			
189	817 00 05-12	Screw 5/16-18 x 3/4			
191	532 41 65-01	Insert Reflective RH			

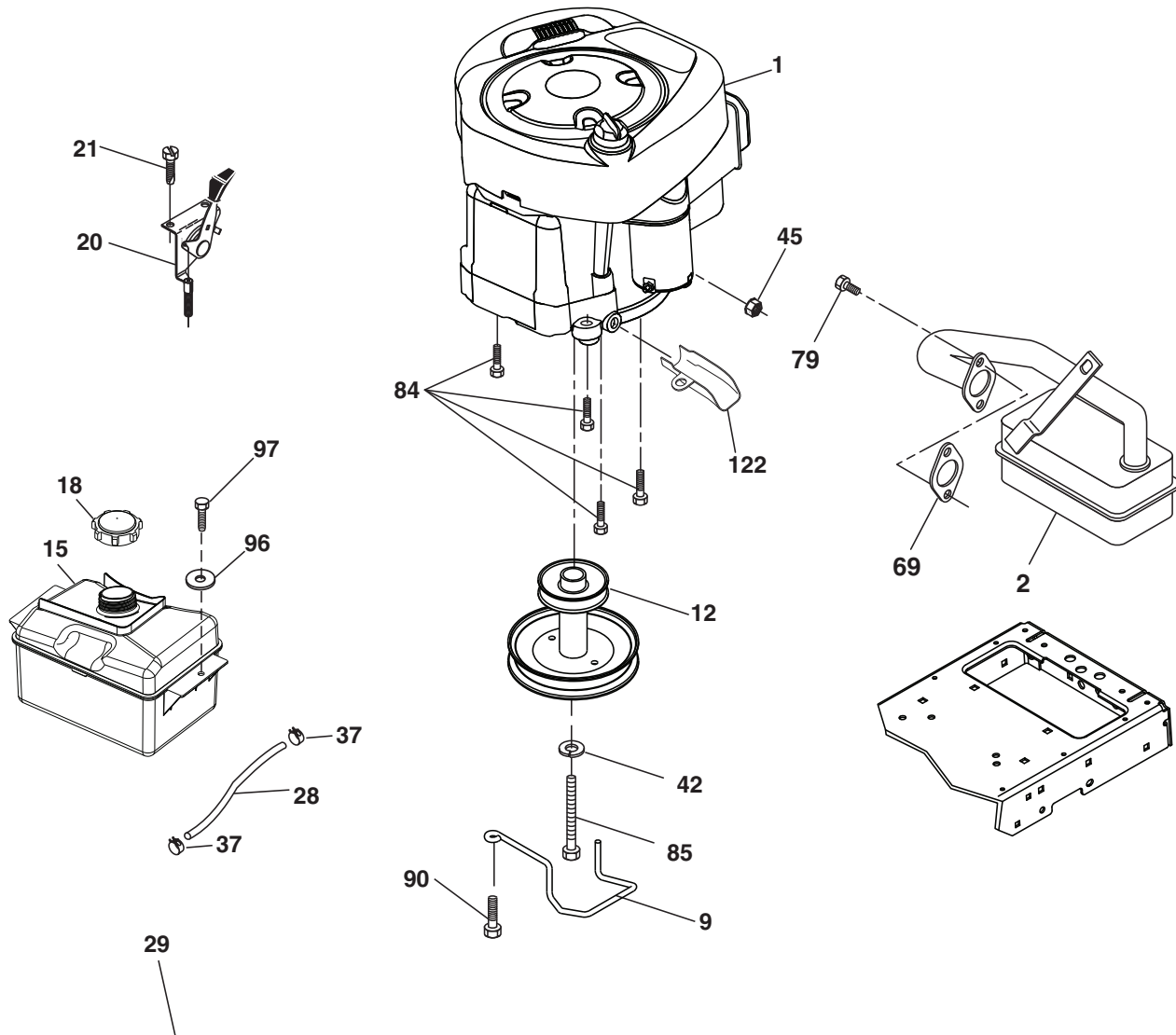
NOTE: All component dimensions given in U.S. inches
1 inch = 25.4 mm

TRACTOR - - MODEL NO. LTH19530 (96041016903/04), PROD NO. 960 41 01-69
DRIVE 40

KEY NO.	PART NO.	DESCRIPTION
1	-----	Transaxle, Hydro Gear T2-BDBE-1X2B-18X1 (587392201) (Order parts from transaxle manufacturer.)
2	532 12 35-83	Key
15	819 13 13-16	Washer 13/32 x 13/16 x 16 Ga.
17	532 19 72-96	Spring, Brake
29	532 42 32-39	Rod, Brake
33	812 00 00-01	Ring E
35	532 40 10-31	Rod, Brake, Park
37	532 12 17-49	Washer 25/32 x 1-1/4 x 16 Ga.
42	532 12 48-72	Cover, Foot Pedal
49	872 11 06-14	Bolt
50	532 19 43-27	Pulley Idler Flat
51	873 90 06-00	Lock Nut 3/8-16
52	532 19 43-26	Idler V-Groove 910" Offset
56	532 12 59-07	V-Belt, Drive
64	532 19 78-65	Shaft Asm. Pedal Brake Control
73	874 49 05-44	Bolt 5/16-18 Gr. 5
80	581 55 07-01	Strap Torque
99	532 40 84-18	Rod Asm Bypass Spring
114	873 80 05-00	Nut Lock 5/16-18 unc
116	873 90 05-00	Nut Lock Hex Flange 5/16-18
121	532 17 56-11	Bracket Strap Torque
122	872 01 05-20	Bolt 5/16-18 x 2.50
125	817 00 05-12	Screw 5/16-18 x 3/4
143	817 49 05-08	Screw Thdrol 5/16-18 x 1/2
153	532 12 47-88	Retainer Spring
159	876 02 04-12	Pin Cotter 1/8 x 3/4
160	532 16 94-84	Retainer Clip
161	532 10 57-09	Spring, Return, Clutch
163	532 41 33-22	Rod Pedal Control
166	532 42 91-64	Nut Push .625
167	532 40 52-57	Latch Brake Parking
170	532 41 34-30	Keeper Belt Centerspan
183	532 15 69-72	Spacer Axle
184	532 44 14-07	Handle Parking Brake
185	872 11 06-22	Bolt
186	532 19 43-21	Spacer Retainer
187	819 13 32-10	Washer
188	532 19 43-23	Link Clutch Ground Drive
189	532 19 43-17	Bellcrank Ground Drive
190	532 19 43-18	Keeper Bellcrank Ground Drive
205	532 12 17-48	Washer 25/32 x 1-5/8 x 16 Ga.
210	532 40 09-80	Rockr Asm. Pdeal Control
211	532 12 01-83	Bearing Nylon
214	532 42 12-63	Pad Pedal Forward
215	532 40 17-23	Pad Pedal Reverse
216	532 19 61-31	Bracket Pulley Idler
221	532 40 31-87	Retainer Spring Clip Handle
222	879 21 20-10	Washer 21/32 x 1-1/4 10 Ga.
231	532 40 72-87	Idler V-Groove 1.688

NOTE: All component dimensions given in U.S. inches
1 inch = 25.4 mm

TRACTOR - - MODEL NO. LTH19530 (96041016903/04), PROD NO. 960 41 01-69
ENGINE 24



OPTIONAL EQUIPMENT
Spark Arrester

engine-tex_BS_36

**TRACTOR - - MODEL NO. LTH19530 (96041016903/04), PROD NO. 960 41 01-69
ENGINE 24**

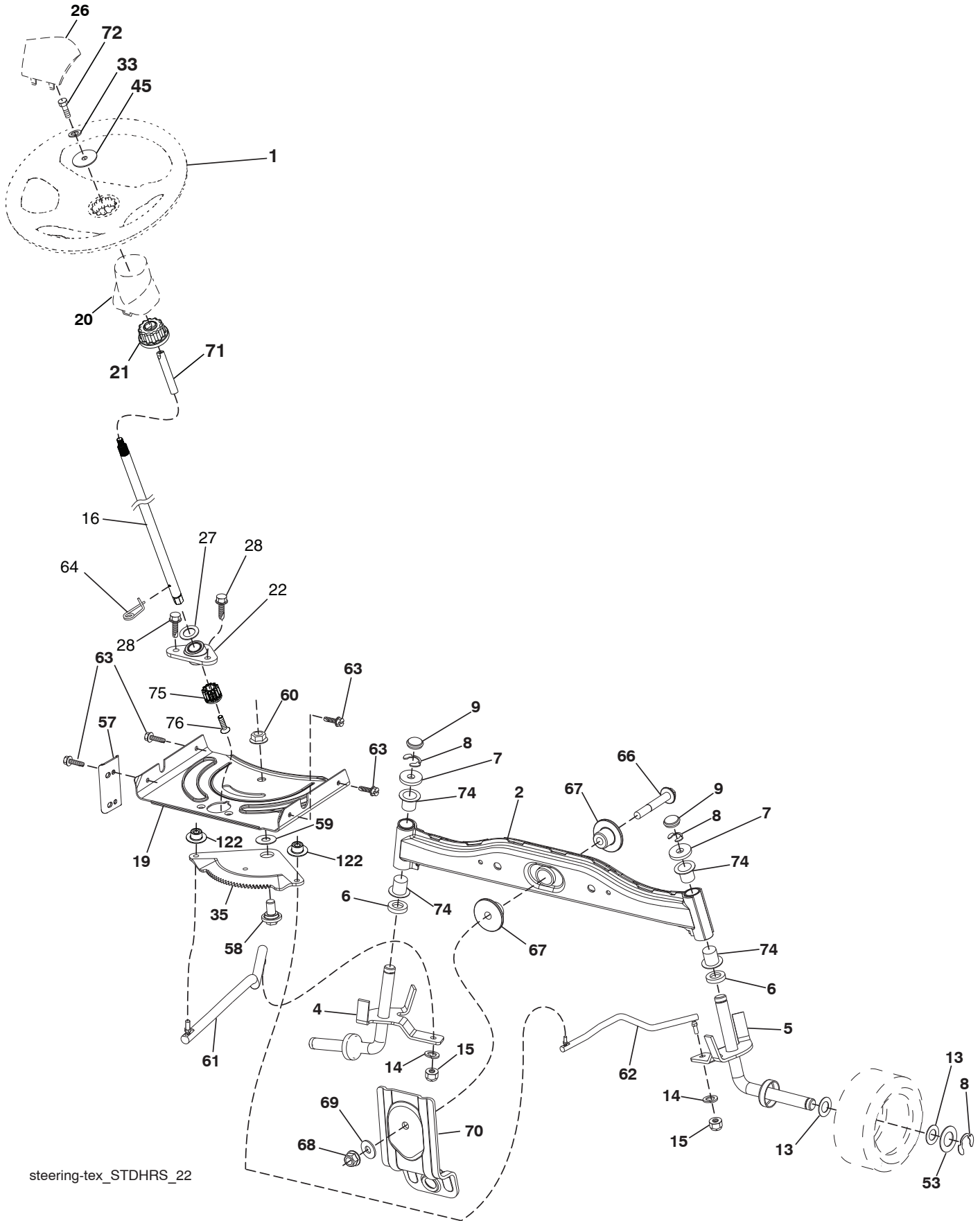
KEY NO.	PART NO.	DESCRIPTION
1	-----	Engine Briggs Model No. 31Q677-3493-G5 (438681) (Order parts from engine manufacturer.)
2	532 13 73-52	Muffler
9	584 91 16-01	Keeper Belt Engine
12	532 14 01-86	Pulley Engine
15	581 28 99-01	Tank Fuel
18	532 43 02-20	Cap Asm
20	532 18 38-97	Control Throttle
21	532 41 63-58	Screw #10 x 0.750 BOS Thread
28	532 13 70-40	Fuel Line
29	532 13 71-80	Spark Arrester Kit
37	532 12 34-87	Clamp Hose
42	810 04 07-00	Washer Lock 7/16
45	873 51 04-00	Nut Keps Hex 1/4-20 unc
69	532 16 52-91	Gasket
79	532 19 23-34	Screw 5/16-18 x 3/4
84	817 06 06-20	Screw 3/8-16 x 1/4
85	532 17 39-37	Bolt Hex 7/16-20 x Gr. 5-1.5
90	817 00 06-16	Screw 3/8-16 x 1
96	819 09 14-16	Washer 9/32 x 7/8 x 16 Ga.
97	817 67 04-12	Screw 1/4-20 x 3/4
122	532 42 19-22	Extension Drain Oil

NOTE: All component dimensions given in U.S. inches
1 inch = 25.4 mm

Engine Power Rating Information

The gross power rating for individual gas engine models is labeled in accordance with SAE (Society of Automotive Engineers) code J1940 (Small Engine Power & Torque Rating Procedure), and rating performance has been obtained and corrected in accordance with SAE J1995 (Revision 2002-05). Torque values are derived at 3060 RPM; horsepower values are derived at 3600 RPM. Actual gross engine power will be lower and is affected by, among other things, ambient operating conditions and engine-to-engine variability. Given both the wide array of products on which engines are placed and the variety of environmental issues applicable to operating the equipment, the gas engine will not develop the rated gross power when used in a given piece of power equipment (actual "on-site" or net power). This difference is due to a variety of factors including, but not limited to, accessories (air cleaner, exhaust, charging, cooling, carburetor, fuel pump, etc.), application limitations, ambient operating conditions (temperature, humidity, altitude), and engine-to-engine variability. Due to manufacturing and capacity limitations, Briggs & Stratton may substitute an engine of higher rated power for this Series engine.

TRACTOR - - MODEL NO. LTH19530 (96041016903/04), PROD NO. 960 41 01-69
STEERING ASSEMBLY [41]



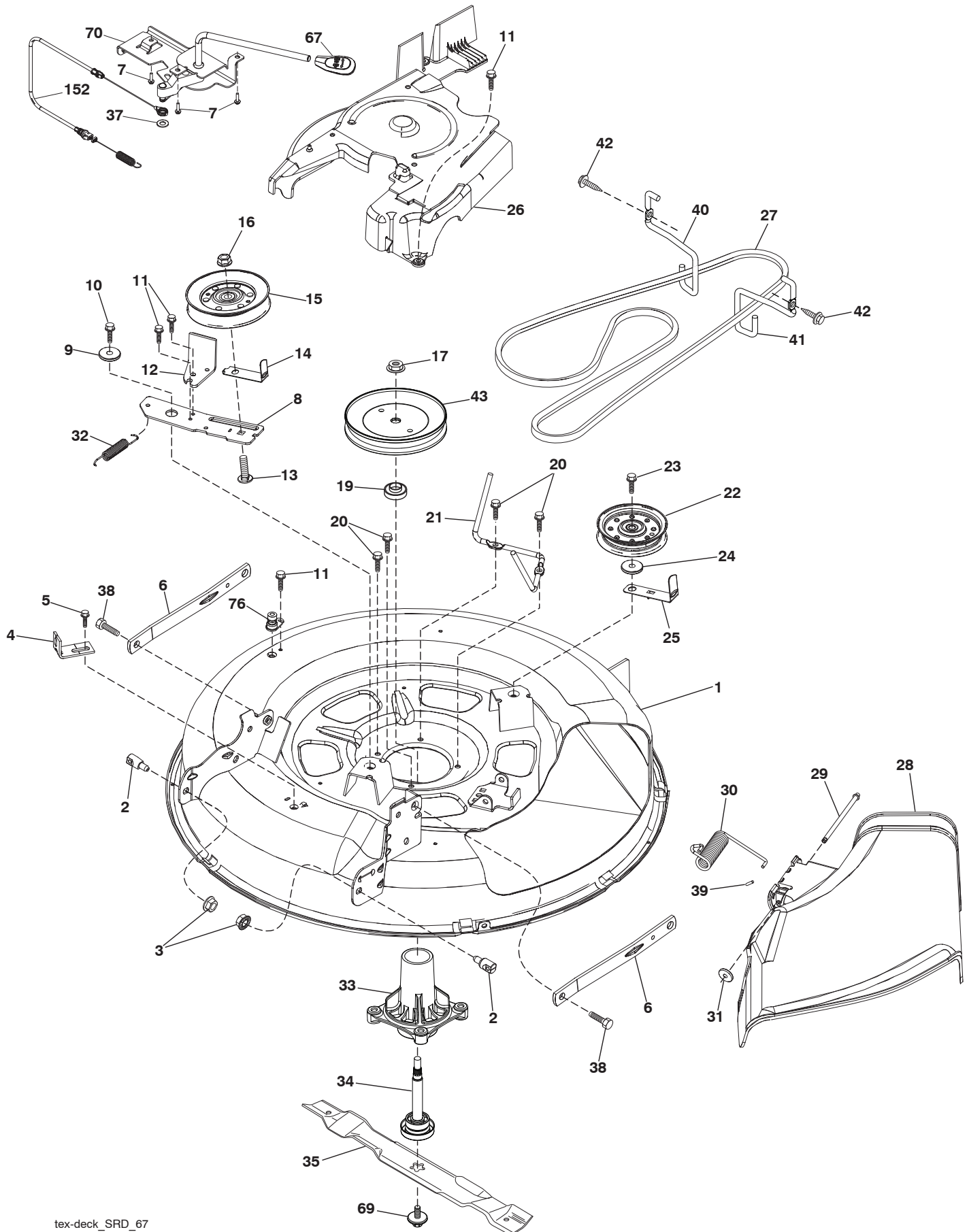
steering-tex_STDHRS_22

TRACTOR - - MODEL NO. LTH19530 (96041016903/04), PROD NO. 960 41 01-69
STEERING ASSEMBLY 41

KEY NO.	PART NO.	DESCRIPTION
1	532 43 97-40	Wheel, Steering
2	532 41 81-68	Axle Asm., Front
4	532 41 68-45	Spindle Asm., LH
5	532 41 68-46	Spindle Asm., RH
6	532 12 49-31	Washer Thrust
7	532 12 17-48	Washer 25/32 x 1-5/8 x 16 Ga.
8	812 00 00-29	Ring, Klip #T5304-75
9	532 12 12-32	Cap, Spindle
13	532 12 17-49	Washer 25/32 x 1-1/4 x 16 Ga.
14	810 04 06-00	Washer, Lock Hvy Hlcl Spr 3/8
15	873 54 06-00	Nut, Crown Lock 3/8-24 unf
16	585 86 92-02	Steering Shaft
19	532 19 47-29	Plate Steering
20	532 44 14-25	Boot, Steering
21	532 18 67-37	Adapter, Wheel Steering
22	585 02 98-02	Bearing Shaft
26	532 43 97-43	Insert, Wheel Steering
27	819 21 16-16	Washer 21/32 x 1 x 16 Ga.
28	817 00 06-12	Screw 3/8-16 x 3/4
33	810 04 05-00	Washer Lock 5/16
35	532 19 47-32	Gear, Sector Plate
45	819 11 38-12	Washer 11/32 x 3/8 x 12 Ga.
53	532 18 89-67	Washer Hardened .793 x 1.637 x .060
57	532 40 74-65	Bracket Upstop
58	532 19 47-47	Bolt Shoulder Sector Pivot CFM
59	532 19 47-48	Washer Thrust Sector Steering
60	873 97 10-00	Nut Flange Lock 5/8-11
61	532 19 47-40	Draglink, LH
62	532 19 47-41	Draglink, RH
63	817 00 05-12	Screw 5/16-18 x 3/4
64	532 19 98-49	Retainer Clip Spring Steering
66	871 02 07-48	Bolt Hex Fghd 7/16-14 x 3 Serr
67	532 19 47-37	Bushing PM Front Axle
68	873 90 07-00	Nut Lock Flange 7/16-14 Gr. 5
69	532 19 91-62	Washer 1.5 x .505 x .118
70	532 41 70-65	Bracket Deck Susp. Front
71	532 19 07-52	Shaft Extension Steering
72	532 42 89-82	Bolt 5/16-18 x 4 w/Patch
74	532 12 49-37	Bearing
75	580 68 37-01	Pinion
76	580 68 36-01	Screw Head Sock
122	532 44 49-62	Cap Gear Sector

NOTE: All component dimensions given in U.S. inches
1 inch = 25.4 mm

TRACTOR - - MODEL NO. LTH19530 (96041016903/04), PROD NO. 960 41 01-69
MOWER DECK 44

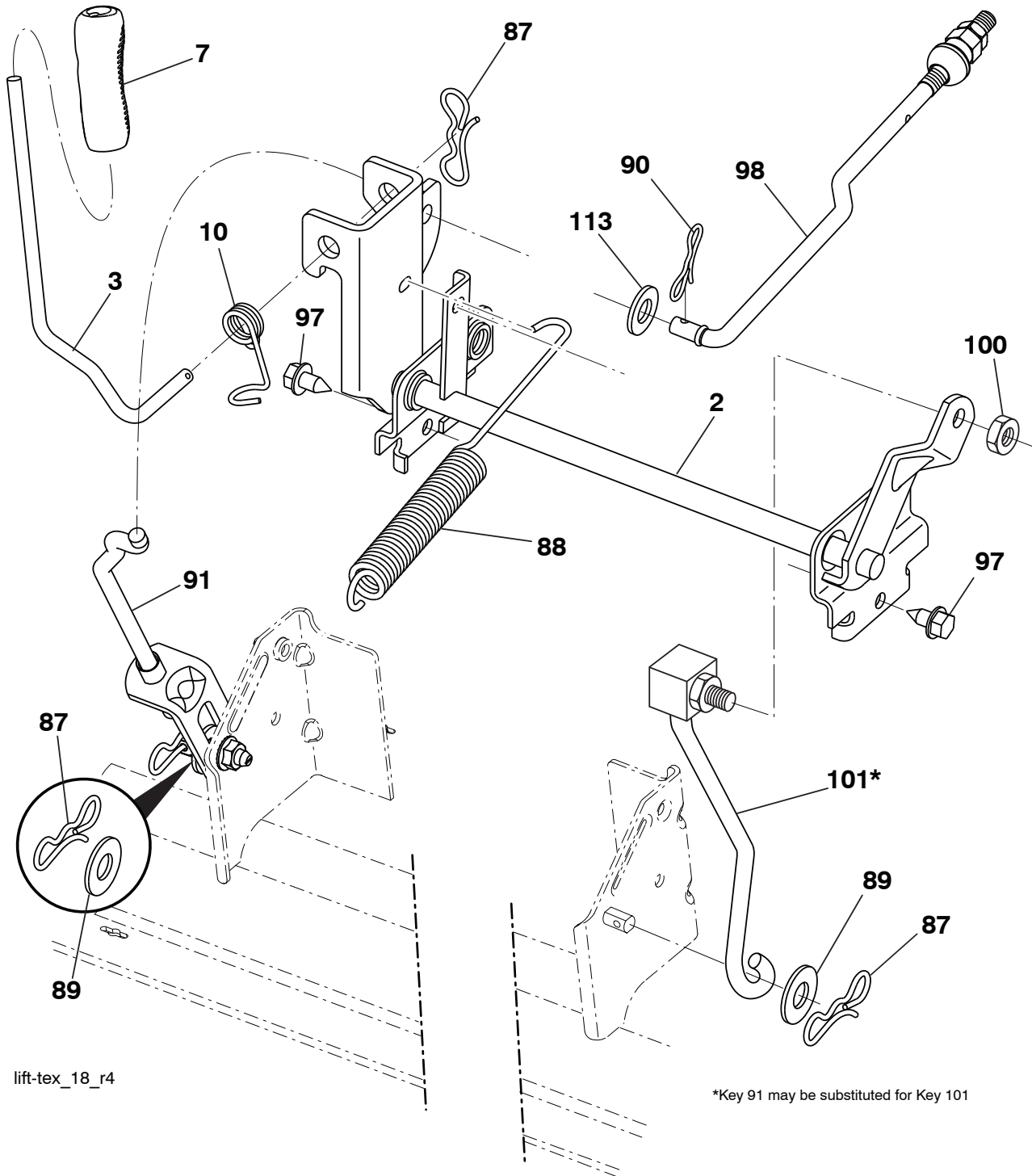


TRACTOR - - MODEL NO. LTH19530 (96041016903/04), PROD NO. 960 41 01-69
MOWER DECK 44

KEY NO.	PART NO.	DESCRIPTION	KEY NO.	PART NO.	DESCRIPTION
1	532 44 20-48	Deck Weldment 30"Srd	31	532 11 04-52	Nut Push Phos & Oil
2	532 19 51-61	Stud Fastner W/D'anti-Rotatio	32	532 40 18-72	Spring Return Deck 38/46"
3	873 90 05-00	Nut Lock Hex Flange 5/16 - 18	33	532 18 72-81	Housing Mandrel 4pt Service
4	532 41 76-45	Bracket Clutch Cable	34	587 25 65-01	Shaft Asm Mndrl N/Greaseable38
5	817 00 05-10	Bolt 5/16-18	35	532 41 92-73	Blade Mower Hp/Mulch Srd
6	532 41 88-63	Arm Susp Mower Rear Srd	37	819 13 13-16	Washer 13/32 x 13/16 x 16 Ga.
7	532 41 63-58	Screw #10 x 0.750 BOS Thread	38	532 19 65-39	Bolt Shoulder
8	532 42 02-52	Arm Idler 30"Srd	39	532 10 53-04	Cap Sleeve
9	532 19 90-92	Spacer Retainer	40	532 41 92-70	Keeper Belt Engine LH
10	817 00 06-16	Screw 3/8 - 16 X 1 Smgml Tap/R Blk	41	532 41 92-65	Keeper Belt Engine RH
11	532 13 77-29	Screw Thd Roll 1/4 - 20 X 5/8	42	817 00 06-12	ScrewHexwshTHDR3/8-16x3/4BL
12	532 19 94-70	Arm Brake Mower 38" RH Tex	43	532 41 68-77	Pulley Mandrel 6 5 Pd 30"
13	872 11 06-12	Bolt Carr Sh 3/8 - 16 X 1 - 1/2 Gr5	69	584 30 93-01	Screw 7/16-20 x 1 Hx
14	532 15 60-85	Keeper Belt Idler	67	532 40 30-12	Handle clutch cable
15	532 14 67-63	Pulley Ikler V-Groove Dim 4.25	70	532 40 12-46	Clutch Asm. Manual
16	873 90 06-00	Nut Lock FIG 3/8 - 16 unc	76	532 41 55-98	Washout Port
17	532 40 02-34	Nut Flange Lock Top	152	532 43 51-11	Manual Clutch Cable
19	585 32 39-01	Bearing Ball Mandrel	--	587 25 33-01	Mandrel Assembly (Includes Housing (key#14), Shaft Assembly (key#13), And Bearing Only (key#15)- Pulley/Nut/Washer And Blade Bolt/Washers Not Included)
20	532 17 39-84	Screw Thd Roll Dod Pt Hex	--	532 43 44-89	Replacement Mower Complete
21	532 41 69-10	Keeper Belt Mandrel 30"			
22	532 17 58-20	Pulley Idler Flat			
23	817 49 06-28	Screw Thdrol 3/8 - 16 X 1-3/4			
24	819 13 20-12	Washer 13/32 X 1 - 1/4 X 12 Ga			
25	532 42 02-53	Keeper Belt 30"Srd			
26	532 42 02-55	Cover Mandrel Mwr 30"Black			
27	532 41 92-71	V-Belt Gnd Dr			
28	532 41 73-44	Shield Asm Deflect Mwr 30s Blk			
29	532 42 08-95	Pin Hinge 30			
30	532 19 70-26	Spring Torsion Dfl 38/42/46 Gr			

NOTE: All component dimensions given in U.S. inches
1 inch = 25.4 mm

TRACTOR - - MODEL NO. LTH19530 (96041016903/04), PROD NO. 960 41 01-69
MOWER LIFT 45



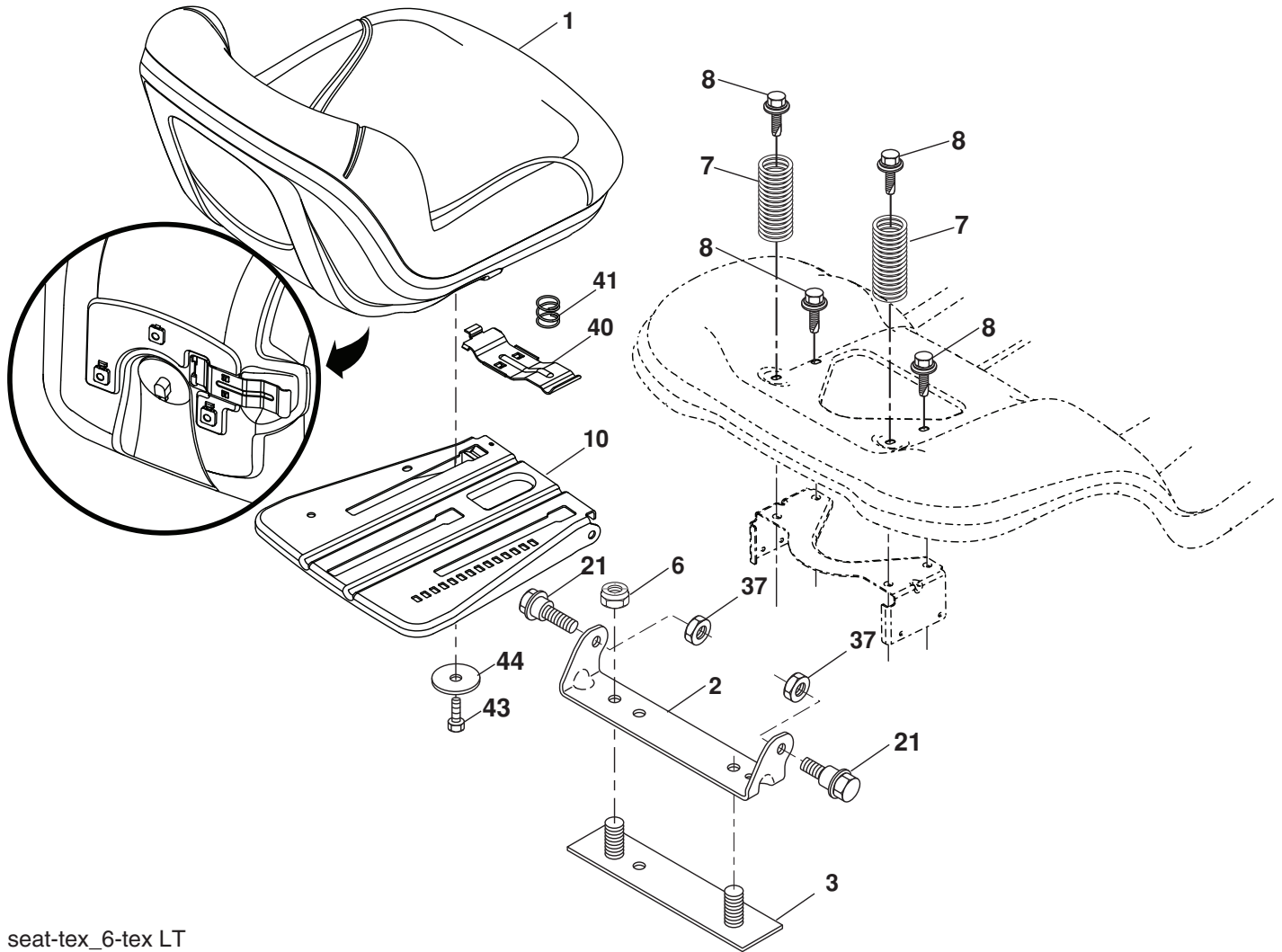
lift-tex_18_r4

KEY NO.	PART NO.	DESCRIPTION
2	532 42 20-27	Shaft Asm., Lift
3	532 19 52-31	Lever Asm., Lift RH
7	532 41 15-55	Grip, Lever
10	532 19 63-14	Spring Torsion
87	532 19 42-09	Pin Cotter 7/16 Bow Tie Lock
88	532 41 07-10	Spring Lift Assist
89	819 19 19-12	Washer Clear Zinc
90	532 19 42-08	Pin Cotter 5/16 Bow Tie Lock

KEY NO.	PART NO.	DESCRIPTION
91	532 19 51-81	Link Asm Lift LH Rear
97	817 00 06-12	Screw Hex Wsh. THDR 3/8-16 x 3/4
98	532 19 52-64	Link Lift Susp. Front Mower
100	873 93 06-00	Nut Centerlock 3/8-16 unc
101	532 40 70-03	Link Asm Lift FXD
113	819 17 19-12	Washer 17/32 X 1-3/16 x 126F

NOTE: All component dimensions given in U.S. inches
 1 inch = 25.4 mm

TRACTOR - - MODEL NO. LTH19530 (96041016903/04), PROD NO. 960 41 01-69
SEAT ASSEMBLY 42



seat-tex_6-tex LT

KEY NO.	PART NO.	DESCRIPTION
1	532 43 98-22	Seat
2	532 18 01-66	Bracket Pivot Fender
3	532 14 06-75	Strap, Asm Fender
6	873 80 06-00	Nut, Lock w/Ins. 3/8-16 unc
7	532 12 41-81	Spring, Seat Cprsn
8	532 17 18-77	Bolt 5/16-18 unc x 3/4 w/Sems
10	532 19 69-77	Pan, Seat
21	532 17 18-52	Bolt, Shoulder 5/16-18

KEY NO.	PART NO.	DESCRIPTION
37	873 80 05-00	Nut, Lock 5/16-18 unc
40	532 19 76-61	Handle Slide Seat
41	532 19 82-00	Spring Latch Seat
43	874 76 06-12	Bolt Fin Hex 3/8-16 unc x 3/4
44	819 13 38-12	Washer 13/32 x 2-3/8 x 12 Ga.

NOTE: All component dimensions given in U.S. inches
 1 inch = 25.4 mm

