

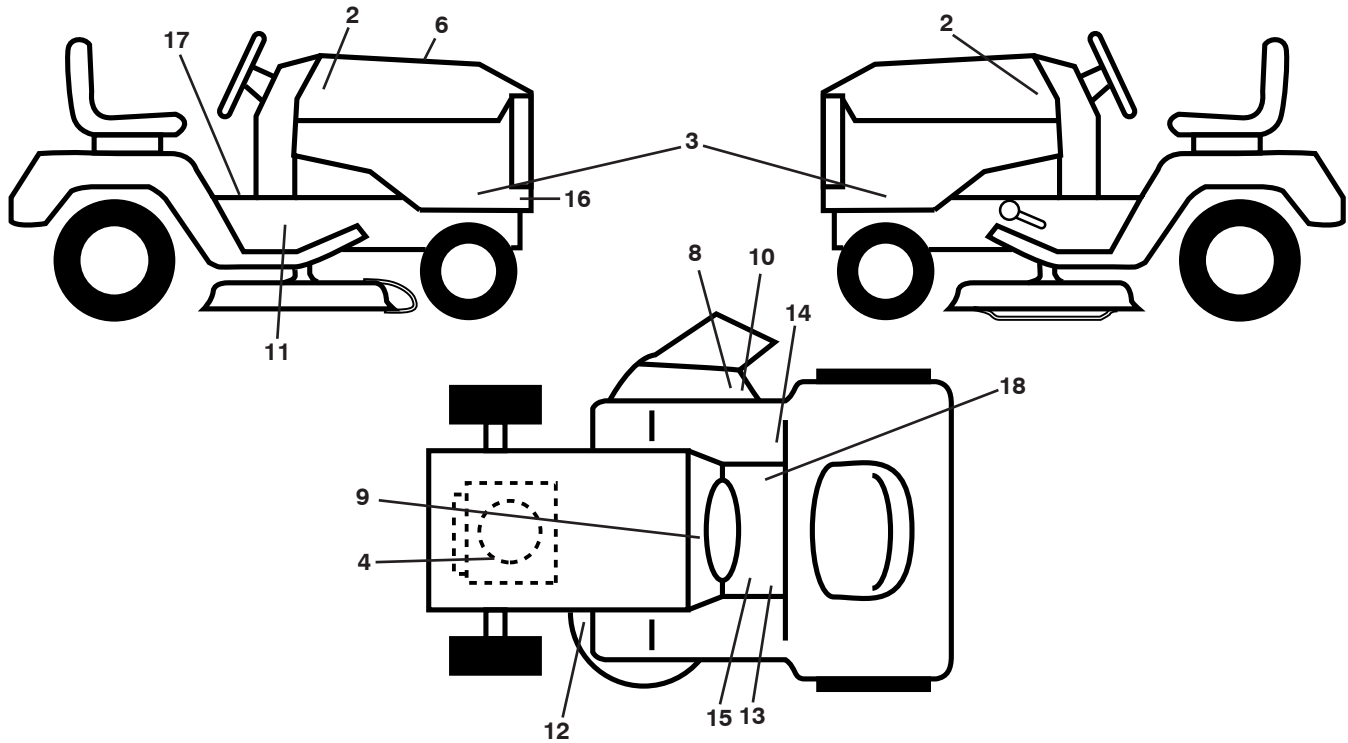
ILLUSTRATED PARTS LIST

MFG. ID NO. 96041021000

CUSTOMER CATALOG NO. YTH 223T

PRODUCT NO. 960 41 02-10

**TRACTOR - - MODEL NO. YTH 223T (96041021000), PRODUCT NO. 960 41 02-10
DECALS 27**



KEY NO.	PART NO.	DESCRIPTION	KEY NO.	PART NO.	DESCRIPTION
2	581 62 73-01	Decal, Badge	14	532 18 04-32	Decal, Fender
3	532 44 08-56	Decal, Panel SD	15	532 15 97-37	Decal, Brake/Clutch
4	532 19 68-41	Decal, Eng. HP	16	532 15 97-36	Decal, Chassis
6	532 43 94-28	Decal, Replacement	17	532 14 08-37	Decal, Saddle Brake
8	532 18 21-66	Decal, Cutfinger	18	532 17 83-02	Decal, Oper. Cruise
9	532 14 50-05	Decal, Battery Dnge/Poi	--	532 16 25-98	Decal, Drawbar
10	532 19 63-57	Decal, Defl.	--	532 16 69-60	Decal, Bypass
11	532 40 11-46	Decal, Warning	--	532 40 17-71	Pad, Footrest, LH
12	532 16 03-96	Decal, Mower V-Belt Schematic	--	532 40 37-73	Pad, Footrest, RH
13	532 40 03-89	Decal, Warning Symbols	--	532 44 08-08	Manual, Ops (Euro)

WHEELS AND TIRES

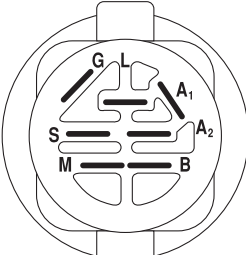
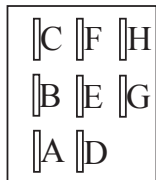
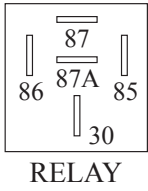
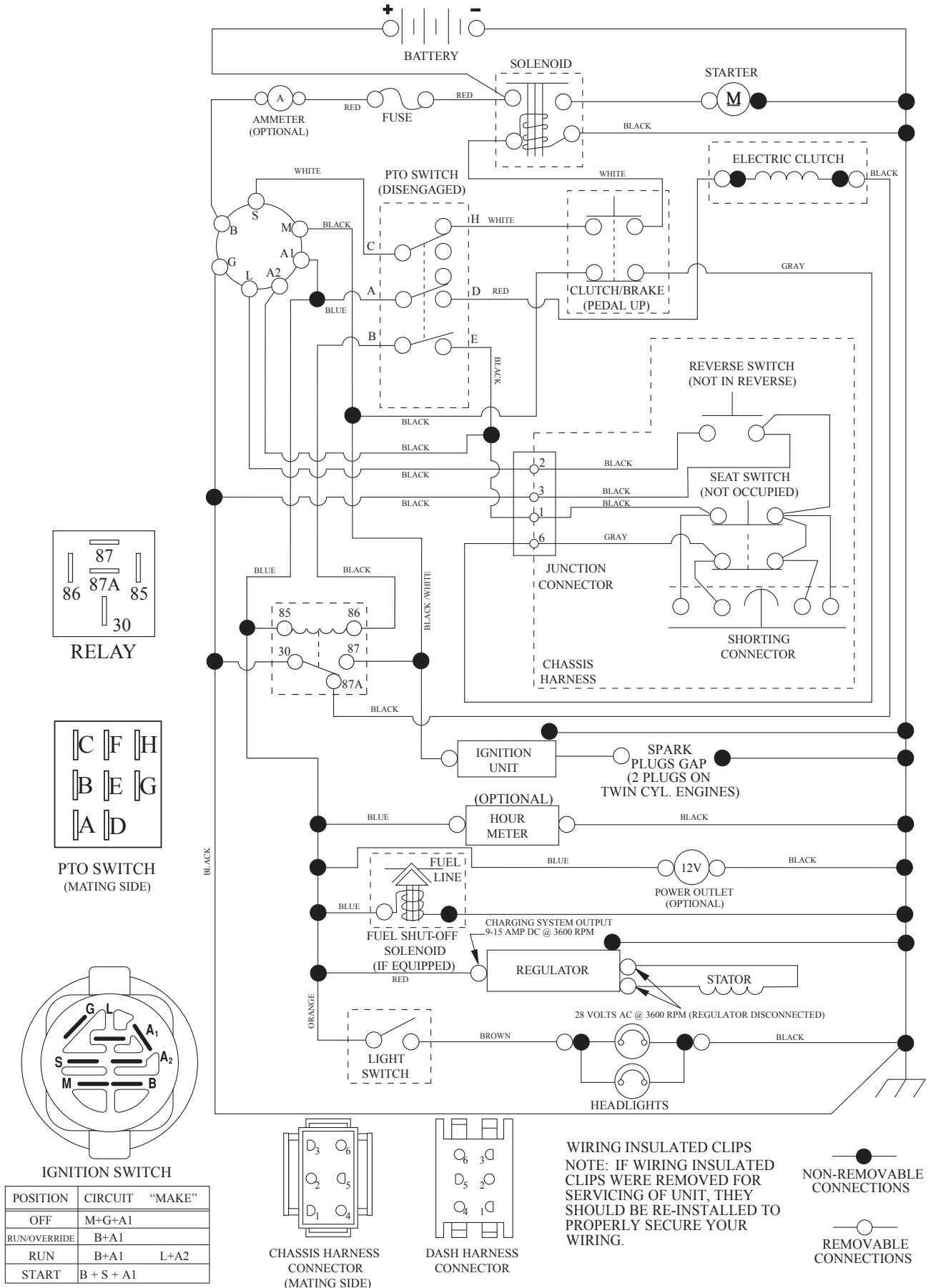
KEY NO.	PART NO.	DESCRIPTION
1	532 05 91-92	Cap Valve Tire
2	532 06 51-39	Stem Valve
3	532 13 83-36	Rim Front Service
4	532 05 99-04	Tube Front (Service Item Only)
5	532 10 62-22	Tire TM Front 15 x 6.00-6
6	532 12 49-57	Fitting Grease (Front Wheel Only)
7	532 12 49-59	Bearing Flange (Front Wheel Only)
8	532 17 50-39	Cap Axle Blk 1 50 x 1 00
9	532 12 20-82	Tire TM Rear 30 x 10.00-8
10	532 12 49-26	Tube Rear (Service Item Only)
11	532 13 83-37	Rim Asm 8" rear Service
--	532 14 43-34	Sealant, Tire (10 oz. Tube)

NOTE: All component dimensions given in U.S. inches
1 inch = 25.4 mm

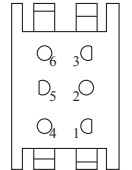
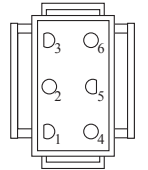
TRACTOR - - MODEL NO. YTH 223T (96041021000), PRODUCT NO. 960 41 02-10

SCHEMATIC 38

SCH13



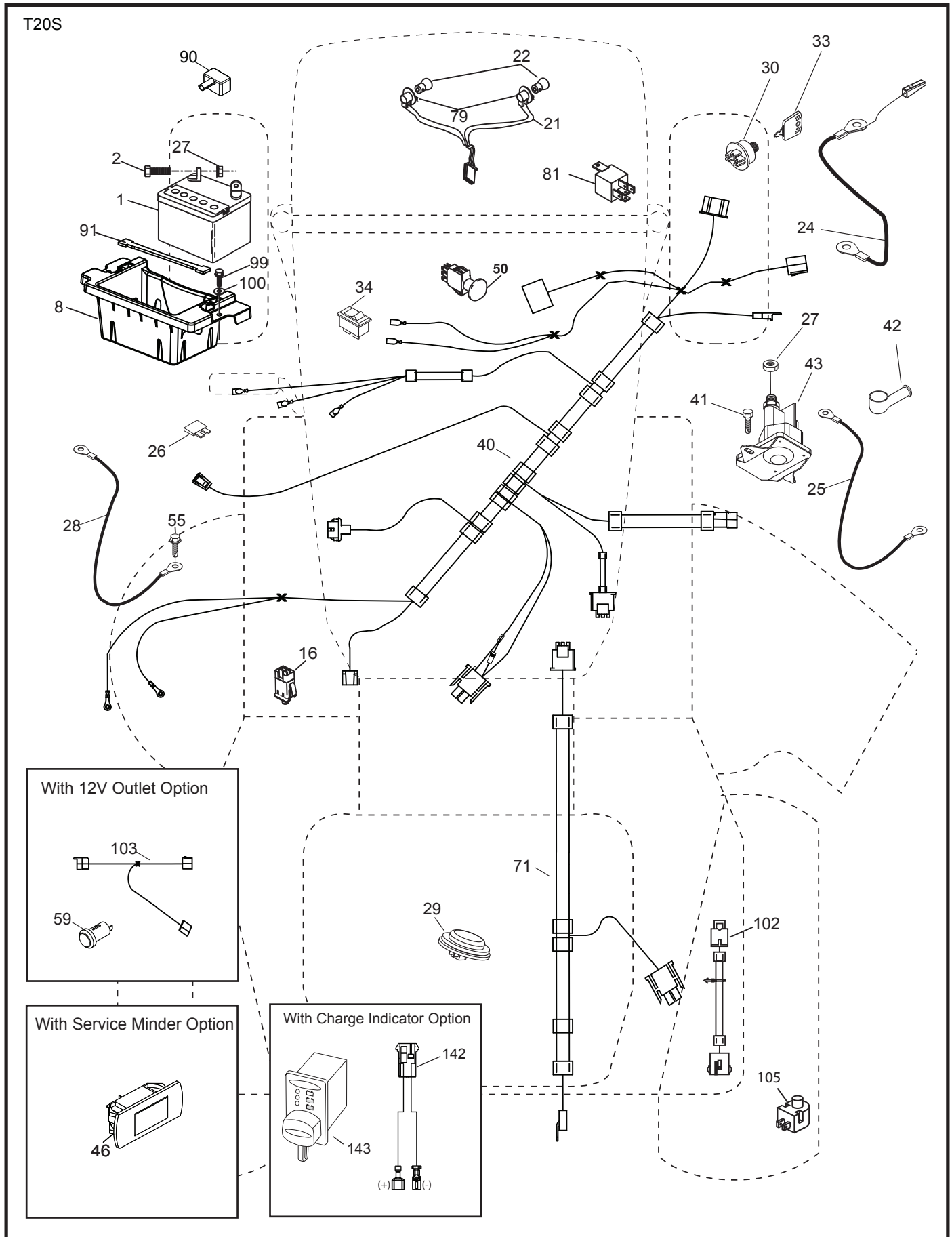
POSITION	CIRCUIT	"MAKE"
OFF	M+G+A1	
RUN/OVERRIDE	B+A1	
RUN	B+A1	L+A2
START	B + S + A1	



WIRING INSULATED CLIPS
NOTE: IF WIRING INSULATED CLIPS WERE REMOVED FOR SERVICING OF UNIT, THEY SHOULD BE RE-INSTALLED TO PROPERLY SECURE YOUR WIRING.



TRACTOR - - MODEL NO. YTH 223T (96041021000), PRODUCT NO. 960 41 02-10
ELECTRICAL **32**

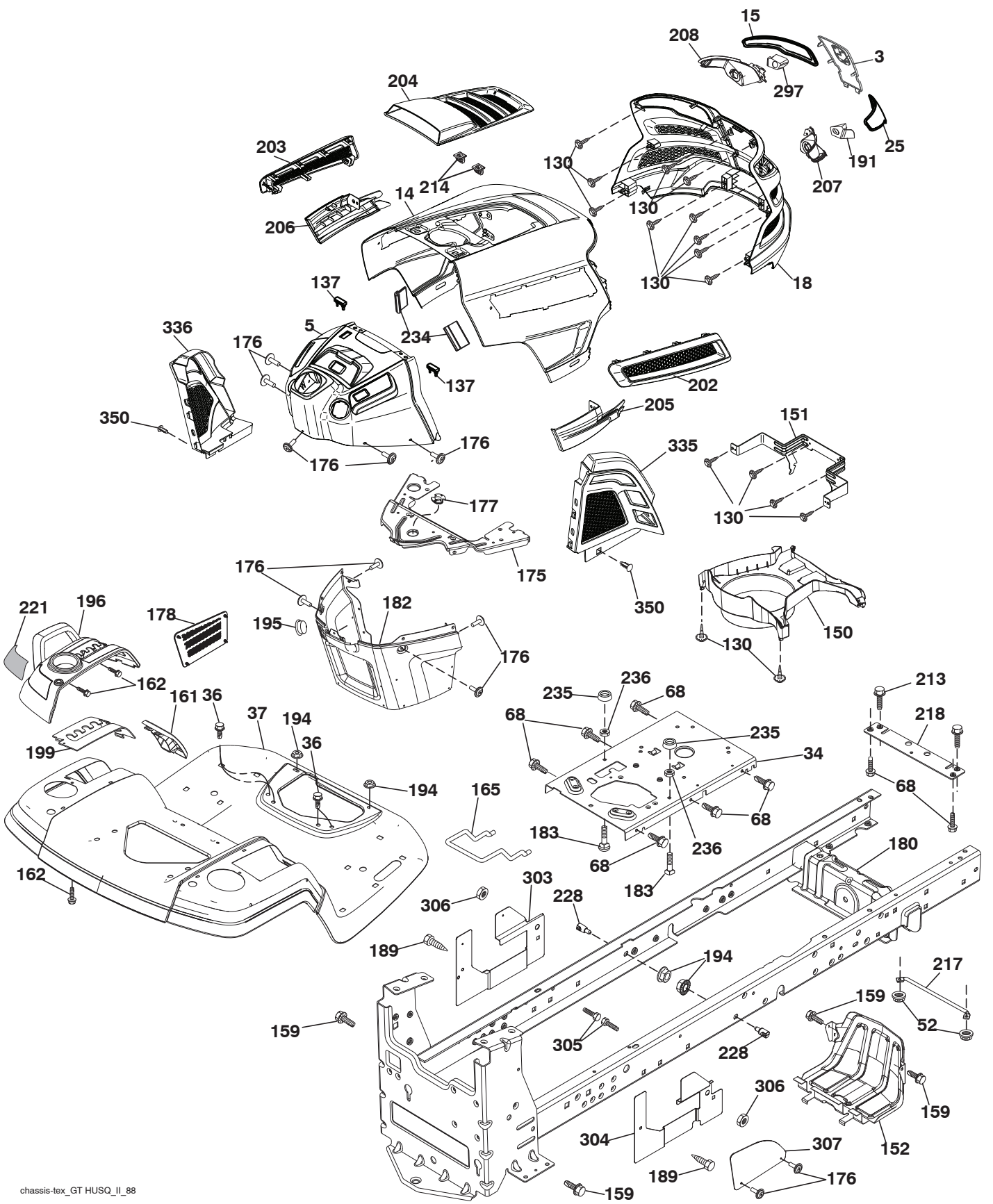


**TRACTOR - - MODEL NO. YTH 223T (96041021000), PRODUCT NO. 960 41 02-10
ELECTRICAL 32**

KEY NO.	PART NO.	DESCRIPTION
1	532 16 34-65	Battery
2	874 76 04-12	Bolt Hex Head 1/4-20 x 3/4
8	532 18 64-91	Box Battery
16	532 17 61-38	Switch Interlock Push-In
21	532 40 02-52	Harness Socket Light w/4152J
22	532 00 41-52	Bulb Light
24	532 40 02-53	Cable Battery
25	532 41 28-95	Cable Starter
26	532 17 51-58	Fuse
27	873 51 04-00	Nut Keps Hex 1/4-20 unc
28	532 14 54-91	Cable, Ground
29	532 40 15-45	Switch, Seat
30	532 19 33-50	Switch, Ign
33	532 41 19-35	Key\Chain
34	532 11 07-12	Switch Light / Reset
40	532 40 96-14	Harness Ign. Dash
41	817 72 04-08	Screw Thd Cut 1/4-20 x 1/2
42	532 13 15-63	Cover, Terminal
43	532 19 25-07	Solenoid
46	532 40 17-63	Gauge Servicereminder Hrmtr
50	532 17 46-51	Switch PTO
55	817 06 05-12	Screw Thdrol 5/16-18 x 3/4 TYTT
71	532 19 42-76	Harness Ign.
79	532 17 52-42	Socket Asm Bulb Twistlock
81	532 40 96-15	Relay Harness Sealed
90	532 43 53-95	Cover Terminal
91	532 19 02-70	Strap Battery Mount
99	817 67 04-12	Screw Hexwsh Thdrol 1/4-20 x 3/4
100	819 09 14-16	Washer 9/32 x 7/8 x 16 Ga.
102	532 40 44-54	Harness Pigtail
105	532 40 75-68	Switch Reverse TT Pedal Control

NOTE: All component dimensions given in U.S. inches
1 inch = 25.4 mm

TRACTOR - - MODEL NO. YTH 223T (96041021000), PRODUCT NO. 960 41 02-10
CHASSIS AND ENCLOSURES **39**

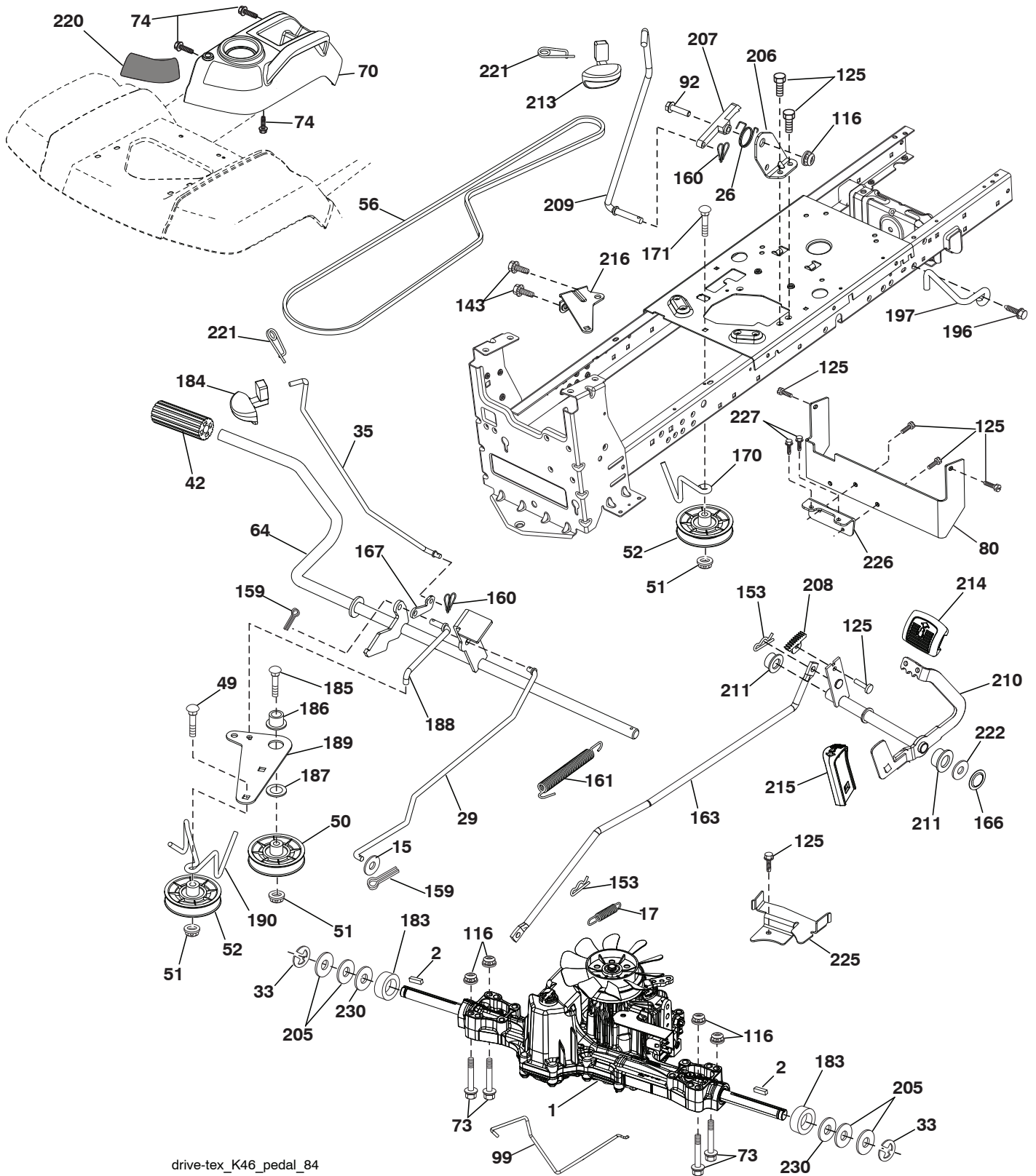


**TRACTOR - - MODEL NO. YTH 223T (96041021000), PRODUCT NO. 960 41 02-10
CHASSIS AND ENCLOSURES 39**

KEY NO.	PART NO.	DESCRIPTION	KEY NO.	PART NO.	DESCRIPTION
3	532 43 97-52	Applique	202	532 43 97-28	Vent Side Hood RH
5	532 43 74-72	Dash	203	532 43 97-27	Vent Side Hood LH
14	532 44 11-77	Hood	204	532 43 57-14	Vent Top Hood
15	532 43 97-33	Lens LH	205	532 43 97-30	Skirt Hood Side RH
18	532 43 77-62	Grille/Lens Asm.	206	532 43 97-29	Skirt Hood Side LH
25	532 43 97-32	Lens RH	207	532 43 97-34	Bezel RH
34	532 19 61-25	Plate Engine	208	532 43 97-35	Bezel LH
36	817 06 05-12	Screw 5/16-18 x 3/4	213	874 76 05-12	Bolt 5/16-18 x 3/4
37	532 40 18-25	Fender	214	532 19 91-45	Clip Retainer Tinner
52	873 68 05-00	Nut Lock 5/16-18	217	532 40 91-67	Rod Pivot
68	817 49 05-08	Screw Thdrol 5/16-18 x 1/2	218	532 19 63-95	X-Piece Hood Stop
130	532 41 63-58	Screw 10 x .750 BOS Thread	221	532 19 89-09	Reflective LH
137	532 40 75-90	Bumper Dash	228	532 19 51-61	Stud Fastner
150	532 43 97-74	Air Duct	234	532 40 47-42	Bumper Hood
151	532 43 66-70	Bracket Pivot Hood	235	532 40 61-29	Spacer Fender
152	532 43 98-70	Shield Browning	236	873 93 05-00	Nut Lock 5/16-18 unc
159	817 00 06-12	Screw Hexwsh Thdr 3/8-16 x 3/4	297	532 43 74-56	Insert Reflective RH
161	532 40 18-26	Window, Fuel	303	532 42 09-59	Shield Chassis LH
162	532 14 24-32	Screw Hex Wsh 1/4 x 1/2 unc	304	532 42 15-09	Shield Chassis RH
165	532 19 68-26	Support Tank Rear	305	872 11 06-06	Bolt 3/8-16 x 3/4
175	532 19 63-04	Crossmember	306	873 90 06-00	Nut Lock 3/8-16 unc
176	532 40 07-76	Screw 10-24 x 5/8	307	532 42 45-70	Upper Shield Pedal
177	532 19 52-27	Bushing Steering	335	532 44 82-04	Cover RH Lower
178	532 19 97-82	Cargo Net Asm.	336	532 43 98-46	Cover LH Lower
180	532 41 50-64	Chassis	350	532 44 51-43	Clip X-mas Tree
182	532 40 68-59	Dash Lower	--	532 43 18-83	Kit Bumper
183	874 52 05-20	Bolt 5/16-18 x 1-1/4 Full Thd.			
189	817 00 05-12	Screw 5/16-18 x 3/4			
191	532 43 74-55	Insert Reflective LH			
194	873 90 05-00	Nut Lock Hex Flange 5/16-18			
195	532 40 41-37	Plug Hole			
196	532 40 02-99	Console Asm Decklift			
199	532 19 82-59	Plate Deck Lift			

NOTE: All component dimensions given in U.S. inches
1 inch = 25.4 mm

TRACTOR - - MODEL NO. YTH 223T (96041021000), PRODUCT NO. 960 41 02-10
DRIVE **40**

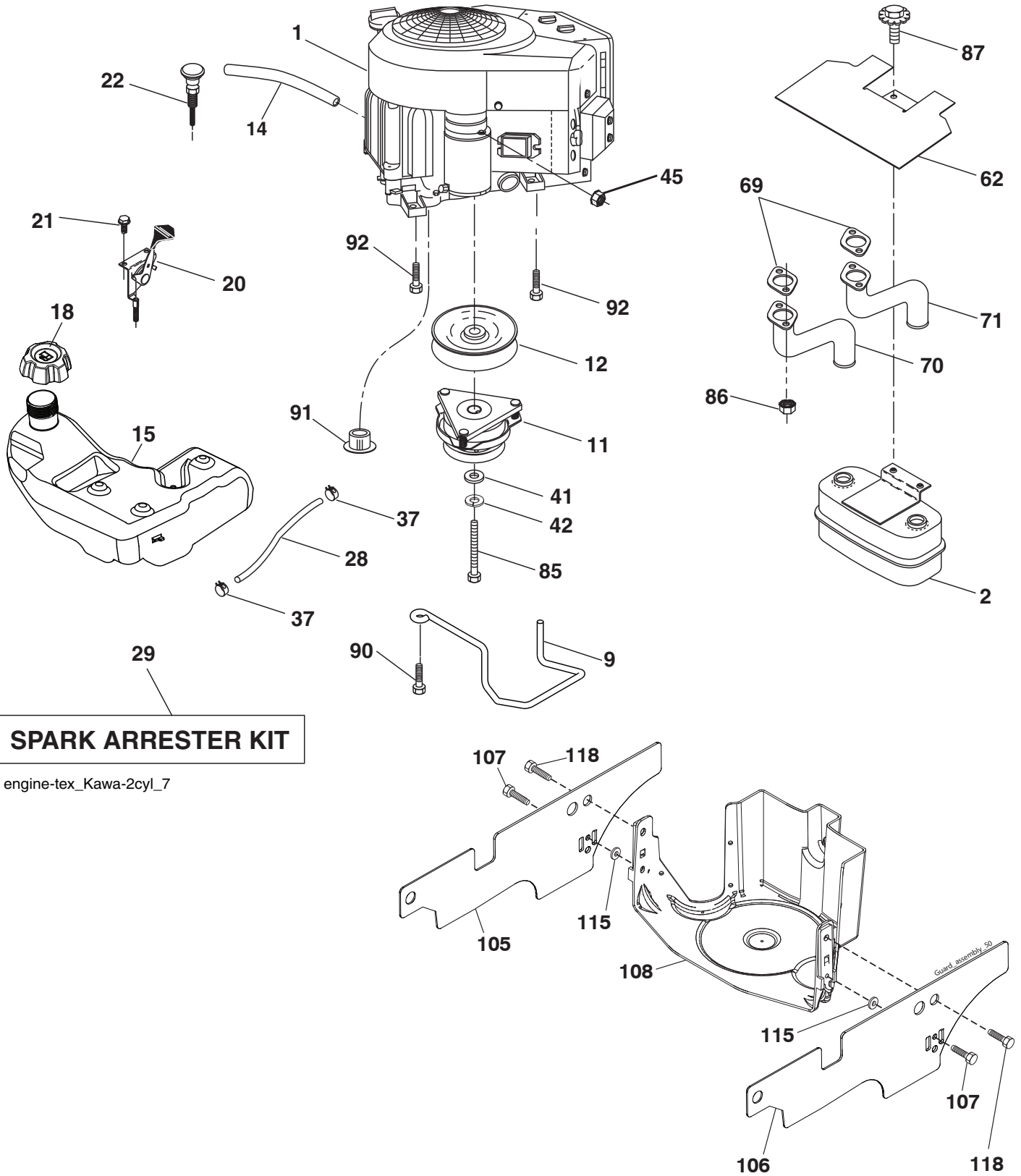


**TRACTOR - - MODEL NO. YTH 223T (96041021000), PRODUCT NO. 960 41 02-10
DRIVE 40**

KEY NO.	PART NO.	DESCRIPTION	KEY NO.	PART NO.	DESCRIPTION
1	- - - - -	Transaxle, TUFFTORQ K46BT (Order parts from transaxle manufacturer)	170	532 19 43-22	Keeper Belt Centerspan
2	532 12 35-83	Key	171	872 11 06-16	Bolt RDHD SQNK 3/8-16 unc x 2
15	819 13 13-16	Washer 13/32 x 13/16 x 16 Ga.	183	532 13 70-57	Spacer Split
17	532 41 36-78	Spring, Brake	184	532 40 31-18	Handle Parking Brake
26	532 19 96-79	Spring Return Cruise	185	872 11 06-22	Bolt Rdhd Sqnk 3/8-16 x 2-3/4 Gr. 5
29	532 40 38-06	Rod, Brake	186	532 19 43-21	Spacer Retainer
33	812 00 00-01	Ring E	187	819 13 32-10	Washer
35	583 86 45-01	Rod, Brake, Park	188	532 19 43-23	Link Clutch Ground Drive
42	532 12 48-72	Cover, Foot Pedal	189	532 19 43-17	Bellcrank Ground Drive
49	872 11 06-14	Bolt	190	532 19 43-18	Keeper Bellcrank Ground Drive
50	532 19 43-27	Pulley Idler Flat	196	817 00 06-16	Screw 3/8-16 x 1
51	873 90 06-00	Lock Nut 3/8-16	197	532 19 58-04	Bracket Clutch Anti-Rotation
52	532 19 43-26	Idler V-Groove 910" Offset	205	532 12 17-48	Washer
56	532 13 09-69	V-Belt, Drive	206	532 19 78-67	Bracket Mount Latch Cruise
64	532 19 78-65	Shaft Asm. Pedal Brake Control	207	532 19 78-68	Latch Control Cruise
70	532 40 05-30	Console Asm	208	532 19 78-69	Gear Sector Control Cruise
73	874 49 05-40	Bolt Hex Flghd 5/16-18 Gr. 5	209	532 19 95-92	Rod Control Cruise
74	532 14 24-32	Screw Hex 1/4 x 1/2 unc	210	532 40 09-80	Rocker Asm. Pedal Control
80	532 41 00-24	Bracket Strap Torque	211	532 12 01-83	Bearing Nylon
92	874 76 05-20	Bolt Fin Hex 5/16-18 unc x 1.25	213	532 40 31-19	Knob Control Cruise
99	532 41 57-42	Rod Spring Bypass	214	532 42 12-63	Pedal Forward
116	873 90 05-00	Nut Lock Hex Flange 5/16-18	215	532 40 17-23	Pedal Reverse
125	817 00 05-12	Screw 5/16-18 x 3/4	216	532 19 61-31	Bracket Pulley Idler
143	817 49 05-08	Screw 5/16-18 x 1/2	220	532 19 89-08	Reflector RH
153	532 12 47-88	Retainer Spring	221	532 40 31-87	Retainer Spring Clip Handle
159	876 02 04-12	Pin Cotter 1/8 x 3/4	222	879 21 20-10	Washer 21/32 x 1-1/4 x 10 Ga.
160	532 16 94-84	Retainer Clip	225	532 40 33-19	Keeper Belt Trans.
161	532 10 57-09	Spring, Return, Clutch	226	532 40 15-64	Bracket Mount Touque
163	532 44 82-75	Rod Pedal Control	230	532 18 89-67	Washer Hardened
166	532 42 91-64	Nut Push			
167	532 40 52-57	Latch Brake Parking			

NOTE: All component dimensions given in U.S. inches
1 inch = 25.4 mm

TRACTOR - - MODEL NO. YTH 223T (96041021000), PRODUCT NO. 960 41 02-10
ENGINE 24

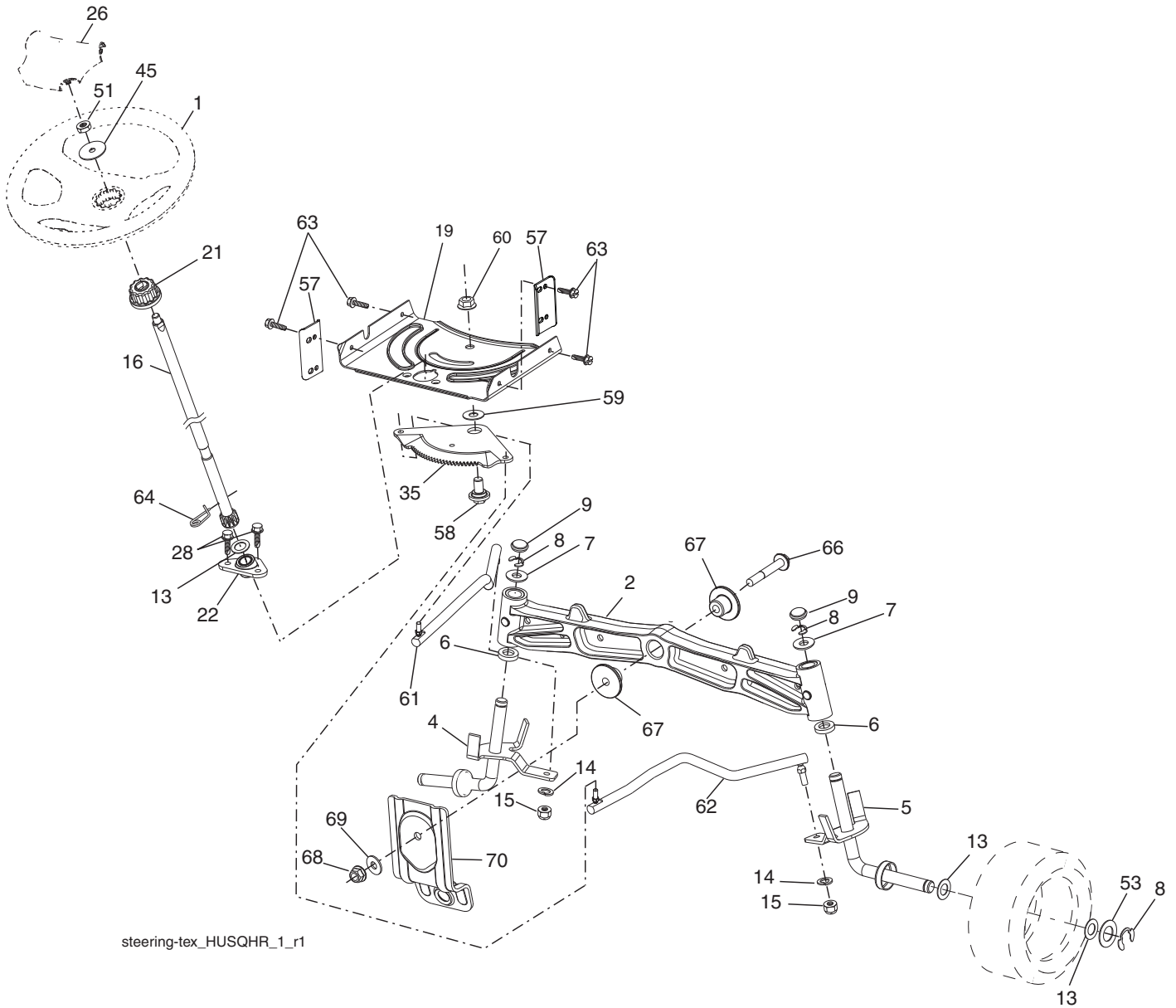


**TRACTOR - - MODEL NO. YTH 223T (96041021000), PRODUCT NO. 960 41 02-10
ENGINE 24**

KEY NO.	PART NO.	DESCRIPTION
1	---	Engine KAWA FS651V-AS50 (Order parts from engine manufacturer)
2	532 14 97-23	Muffler
9	532 19 43-20	Keeper Belt Engine
11	532 40 00-08	Clutch
12	532 40 50-97	Pulley Engine
14	532 14 84-56	Tube Drain Oil
15	532 19 34-99	Tank Fuel
18	532 43 02-17	Cap Asm Fuel
20	532 17 83-85	Control Throttle
21	532 41 63-58	Screw #10 x .750 BOS Thread
22	532 19 15-96	Control Choke
28	532 14 21-58	Fuel Line
29	532 13 71-80	Spark Arrester Kit
37	532 12 34-87	Clamp Hose
41	532 12 61-97	Washer 1-1/2 OD x 15/32 ID x .250
42	810 04 07-00	Washer Lock 7/16
45	873 51 04-00	Nut Keps Hex 1/4-20 unc
62	532 43 40-17	Heat Shield
69	532 17 81-51	Gasket
70	532 42 47-65	Exhaust Tube LH
71	532 42 47-66	Exhaust Tube RH
85	532 17 39-37	Bolt Hex 7/16-20 x 4 x Gr. 5-1.5 Thr
86	532 18 43-62	Nut Hex Flange 1.25
87	532 17 18-77	Bolt 5/16-18 unc x 3/4 w/Sems
90	817 00 06-16	Screw 3/8-16 x 1
91	532 18 74-95	Bushing
92	817 12-06-16	Screw 3/8-16 x 1
105	532 41 56-06	Side Shield LH
106	532 41 56-11	Side Shield RH
107	532 13 77-29	Screw 1/4 - 20 x 5/8
108	532 42 68-03	Cover Asm
115	532 42 30-62	Palnut 1/4
118	817 67 05-08	Screw 5/16-18 x 1/2

NOTE: All component dimensions given in U.S. inches
1 inch = 25.4 mm

TRACTOR - - MODEL NO. YTH 223T (96041021000), PRODUCT NO. 960 41 02-10
STEERING ASSEMBLY **41**

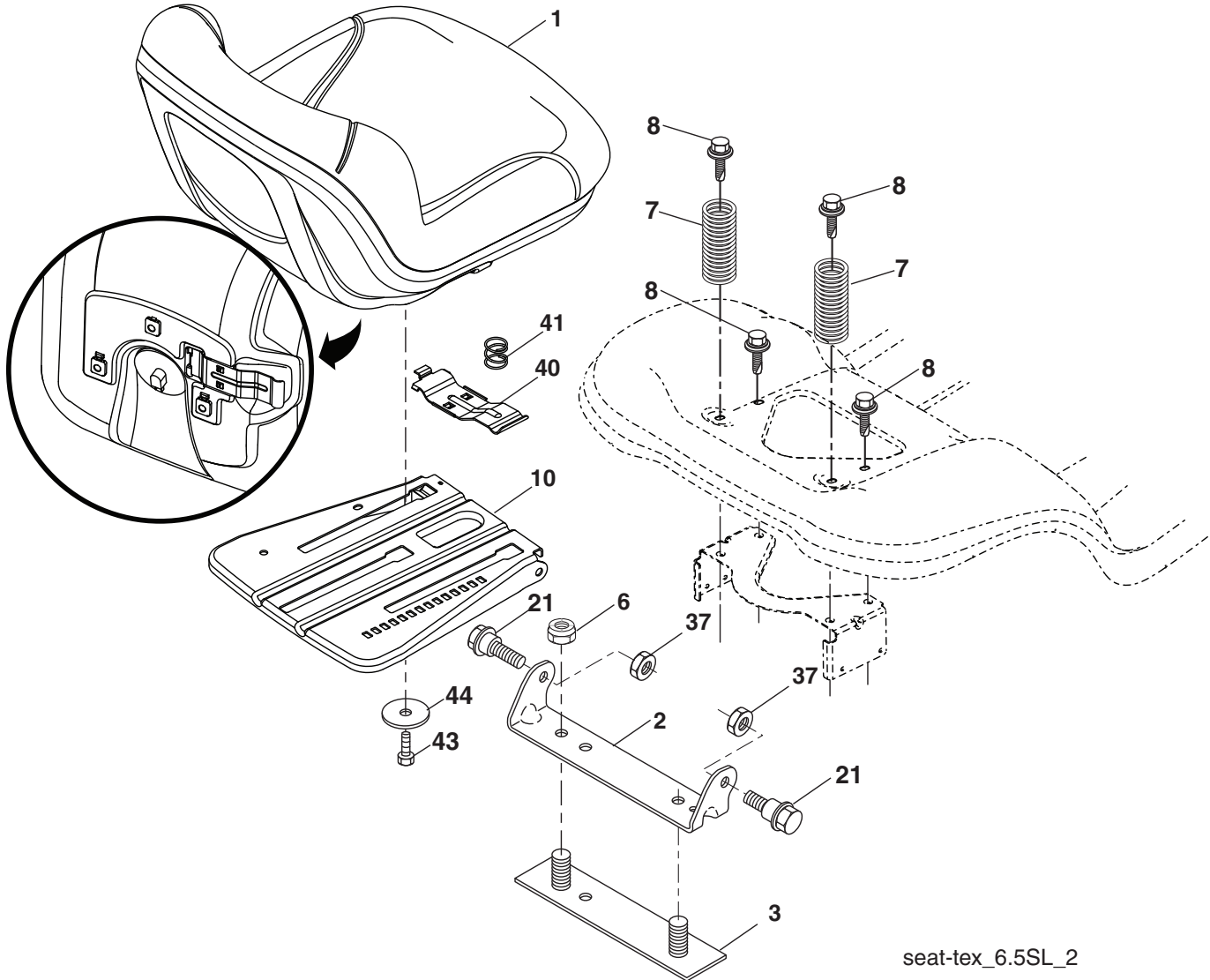


**TRACTOR - - MODEL NO. YTH 223T (96041021000), PRODUCT NO. 960 41 02-10
STEERING ASSEMBLY 41**

KEY NO.	PART NO.	DESCRIPTION
1	532 41 64-80	Wheel, Steering
2	532 19 59-68	Axle Asm., Front
4	532 40 30-87	Spindle Asm., LH
5	532 40 30-88	Spindle Asm., RH
6	532 12 49-31	Bearing, Race Thrust Harden
7	532 12 17-48	Washer 25/32 x 1-5/8 x 16 Ga.
8	812 00 00-29	Ring, Klip #T5304-75
9	532 12 12-32	Cap, Spindle
13	532 12 17-49	Washer 25/32 x 1-1/4 x 16 Ga.
14	810 04 06-00	Washer, Lock Hvy Hlcl Spr 3/8
15	873 54 06-00	Nut, Crown Lock 3/8-24 unf
16	532 19 47-46	Shaft Steering
19	532 19 47-29	Plate Steering
21	532 18 67-37	Adapter, Wheel Steering
22	532 42 05-37	Strg. Supt. Lower
26	532 41 59-87	Insert, Wheel Steering
28	817 00 06-12	Screw 3/8-16 x 3/4
35	532 19 47-32	Gear, Sector Plate
45	819 18 38-12	Washer 9/16 ID x 2-3/8 OD 12 Ga.
51	873 94 08-00	Nut Hex Jam Toplock 1/2-20 unf
53	532 18 89-67	Washer Hardened .793x1.637x.060
57	532 40 74-65	Bracket Upstop
58	532 19 47-47	Bolt Shoulder Sector Pivot CFM
59	532 19 47-48	Washer Thrust Sector Steering
60	873 97 10-00	Nut Flange Lock 5/8-11
61	532 19 47-40	Draglink LH
62	532 19 47-41	Draglink, RH
63	817 00 05-12	Screw 5/16-18 x 3/4
64	532 19 98-49	Retainer Clip Spring Steering
66	871 02 07-48	Bolt Hex Fghd 7/16-14 x 3 Serr
67	532 19 47-37	Bushing PM Front Axle
68	873 90 07-00	Nut Lock Flange 7/16-14 Gr. 5
69	532 19 91-62	Washer 1.5 x .505 x .118
70	532 19 61-97	Bracket Deck Susp. Front

NOTE: All component dimensions given in U.S. inches
1 inch = 25.4 mm

TRACTOR - - MODEL NO. YTH 223T (96041021000), PRODUCT NO. 960 41 02-10
SEAT ASSEMBLY 42



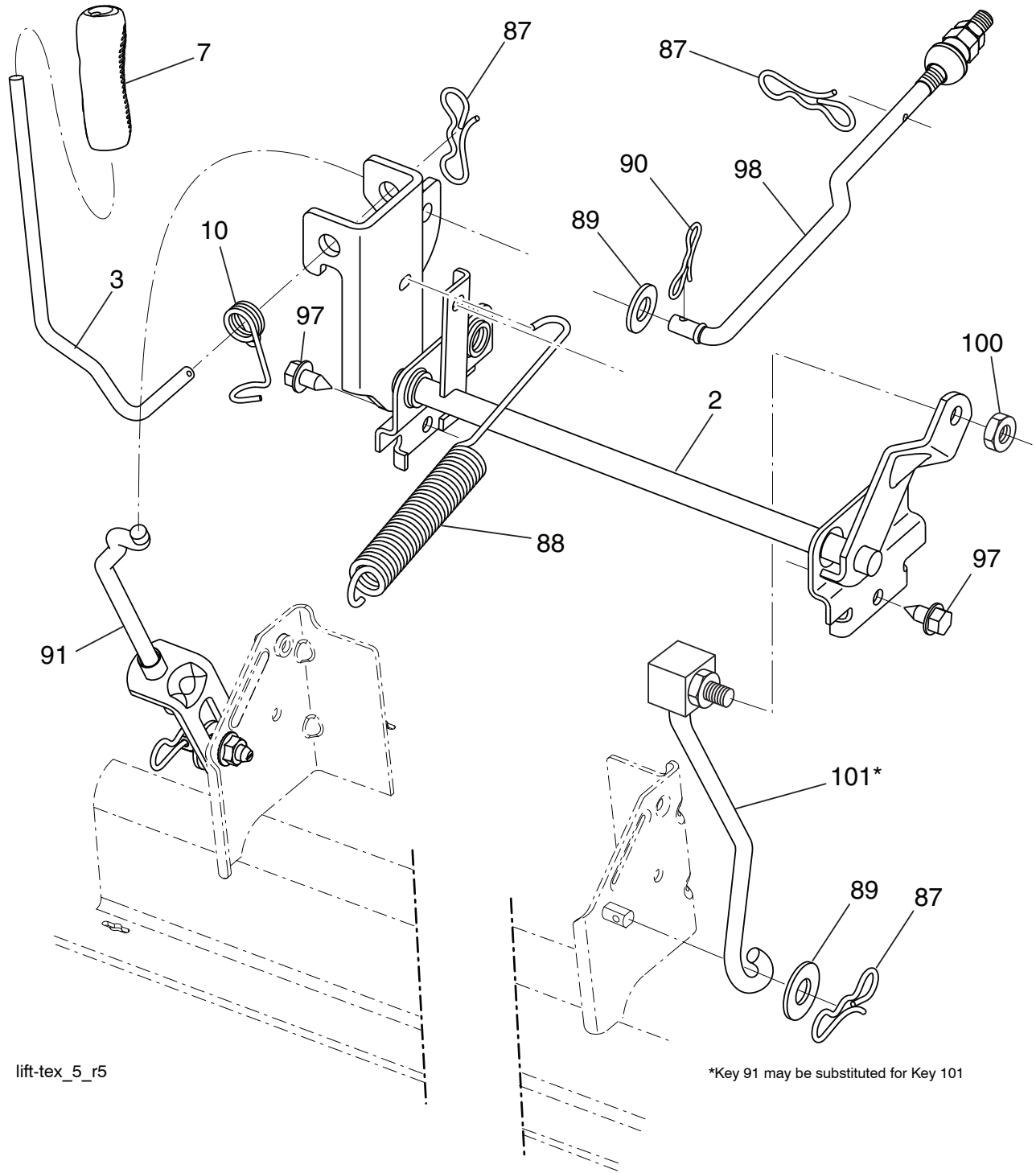
seat-tex_6.5SL_2

KEY NO.	PART NO.	DESCRIPTION
1	532 42 40-71	Seat
2	532 18 01-66	Bracket Pivot Fender
3	532 14 06-75	Strap, Asm Fender
6	873 80 06-00	Nut, Lock W/Ins. 3/8-16 unc
7	532 12 41-81	Spring, Seat Cprsn
8	532 17 18-77	Bolt 5/16-18 unc x 3/4 w/Sems
10	532 19 69-77	Pan, Seat
21	532 17 18-52	Bolt, Shoulder 5/16-18

KEY NO.	PART NO.	DESCRIPTION
37	873 80 05-00	Nut, Lock 5/16-18 unc
40	532 19 76-61	Handle Slide Seat
41	532 19 82-00	Spring Latch Seat
43	874 76 06-12	Bolt Fin Hex 3/8-16 unc x 3/4
44	819 13 38-12	Washer 13/32 x 2-3/8 x 12 Ga.

NOTE: All component dimensions given in U.S. inches
 1 inch = 25.4 mm

**TRACTOR - - MODEL NO. YTH 223T (96041021000), PRODUCT NO. 960 41 02-10
MOWER LIFT 45**



lift-tex_5_r5

*Key 91 may be substituted for Key 101

KEY NO.	PART NO.	DESCRIPTION
2	532 42 20-27	Shaft Asm., Lift
3	532 19 52-30	Lever Lift Handle
7	532 41 15-55	Grip, Lever
10	532 19 63-14	Spring Torsion
87	532 19 42-09	Pin Cotter 7/16 Bow Tie Lock
88	532 41 07-10	Spring Lift Assist
89	819 19 19-12	Washer Clear Zinc
90	532 19 42-08	Pin Cotter 5/16 Bow Tie Lock
91	532 19 51-81	Link Lift Susp Mower Rear

KEY NO.	PART NO.	DESCRIPTION
97	817 00 06-12	Screw 3/8-16 x 3/4
98	532 19 52-70	Link Asm. Susp. Front Mower
100	873 93 06-00	Nut Centerlock 3/8-16 unc
101	532 40 70-03	Link Lift Asm Fxd

NOTE: All component dimensions given in U.S. inches
1 inch = 25.4 mm

**TRACTOR - - MODEL NO. YTH 223T (96041021000), PRODUCT NO. 960 41 02-10
MOWER DECK 44**

KEY NO.	PART NO.	DESCRIPTION	KEY NO.	PART NO.	DESCRIPTION
1	532 44 23-72	Mower Housing	118	873 93 06-00	Nut Centerlock 3/8-16 unc
6	532 19 51-86	Arm Suspension	119	819 13 20-12	Washer 13/32 x 1-1/2 x 11 Ga.
8	532 19 30-03	Bolt/Washer asm 7/16-20 unf	145	532 19 31-97	Pulley Idler
11	532 40 53-80	Blade Mower Hi Lift	147	532 19 72-51	Spring Return
13	532 19 28-72	Shaft Assembly, Mandrel	188	532 19 51-61	Stud Fastener
14	532 18 72-81	Housing, Mandrel	189	873 90 05-00	Nut Lock Hex Flange
15	532 11 04-85	Bearing, Ball, Mandrel	197	819 13 13-12	Washer 13/32 x 13/16 x 12 Ga.
19	532 19 65-39	Bolt, Shoulder	198	532 40 31-49	Baffle Center Front
21	873 68 05-00	Nut	199	532 40 31-50	Baffle Front RH
23	532 19 25-57	Bracket, Deflector	200	532 41 35-24	Washer 13/32x1x1/2 11 GAHRD
24	532 10 53-04	Cap, Sleeve	209	532 43 23-95	Cover Asm LH
25	532 19 70-26	Spring, Torsion, Deflector	210	532 43 23-96	Cover Asm RH
26	532 11 04-52	Nut, Push	241	532 15 29-27	Screw
27	532 44 28-95	Shield, Deflector	242	532 41 55-98	Washout Port
29	532 13 14-91	Rod, Hinge	247	532 43 23-98	Cover Asm RH
30	532 17 39-84	Screw Thdrol Rolling Wsh Hd	248	532 43 23-97	Cover Asm LH
31	532 18 76-90	Washer, Spacer	254	532 43 23-99	Shield Deck Rear
32	532 19 74-73	Pulley, Mandrel	255	532 43 60-87	Kit Bungee (Includes Phillips heas screw, weld nut, screw, bungee latch, and bungee strap)
33	532 40 02-34	Nut, Toplock, Flanged			
34	872 11 06-12	Bolt Carr Sh. 3/8-16 x 1-1/2 Gr. 5			
36	532 19 73-79	Pulley, Idler, Flat	--	532 19 28-70	Mandrel Assembly (Includes housing, shaft assembly, and bearing only - pulley/nut/washer and blade bolt/washers not included)
38	532 19 91-89	Belt Keeper LH			
40	873 90 06-00	Nut, Lock Flg. 3/8-16 unc			
46	532 13 77-29	Screw			
55	532 19 72-49	Arm, Idler			
56	532 19 90-92	Spacer, Retainer	--	532 44 09-33	Replacement Mower, Complete
57	817 00 06-16	Screw Hexwsh Thd 3/8-16 x 1			
59	532 14 10-43	Guard, Tuv Idler (94)			
62	874 52 06-36	Bolt 3/8-16 unc x 2-1/4 Gr. 5			
68	532 40 51-43	V-Belt			
69	872 14 05-05	Bolt			
116	532 19 34-06	Bolt, Shoulder			
117	532 17 48-73	Wheel, Gauge			

NOTE: All component dimensions given in U.S. inches
1 inch = 25.4 mm

