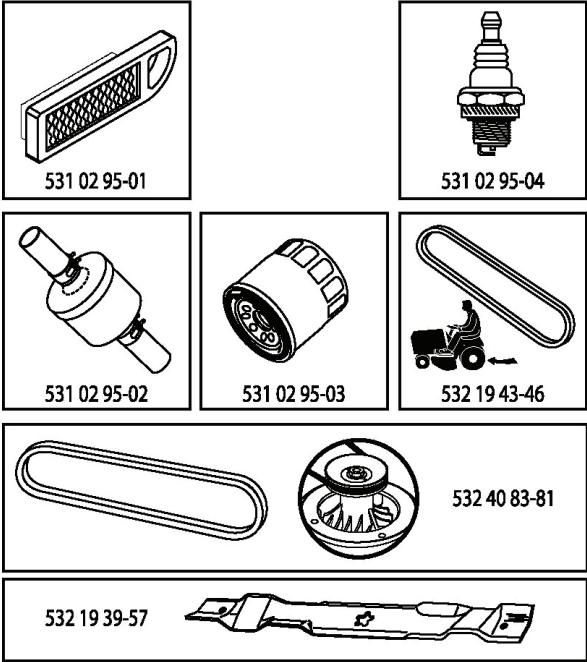


ILLUSTRATED PARTS LIST

MODEL NO. 96041024100

CUSTOMER CATALOG NO. LT154

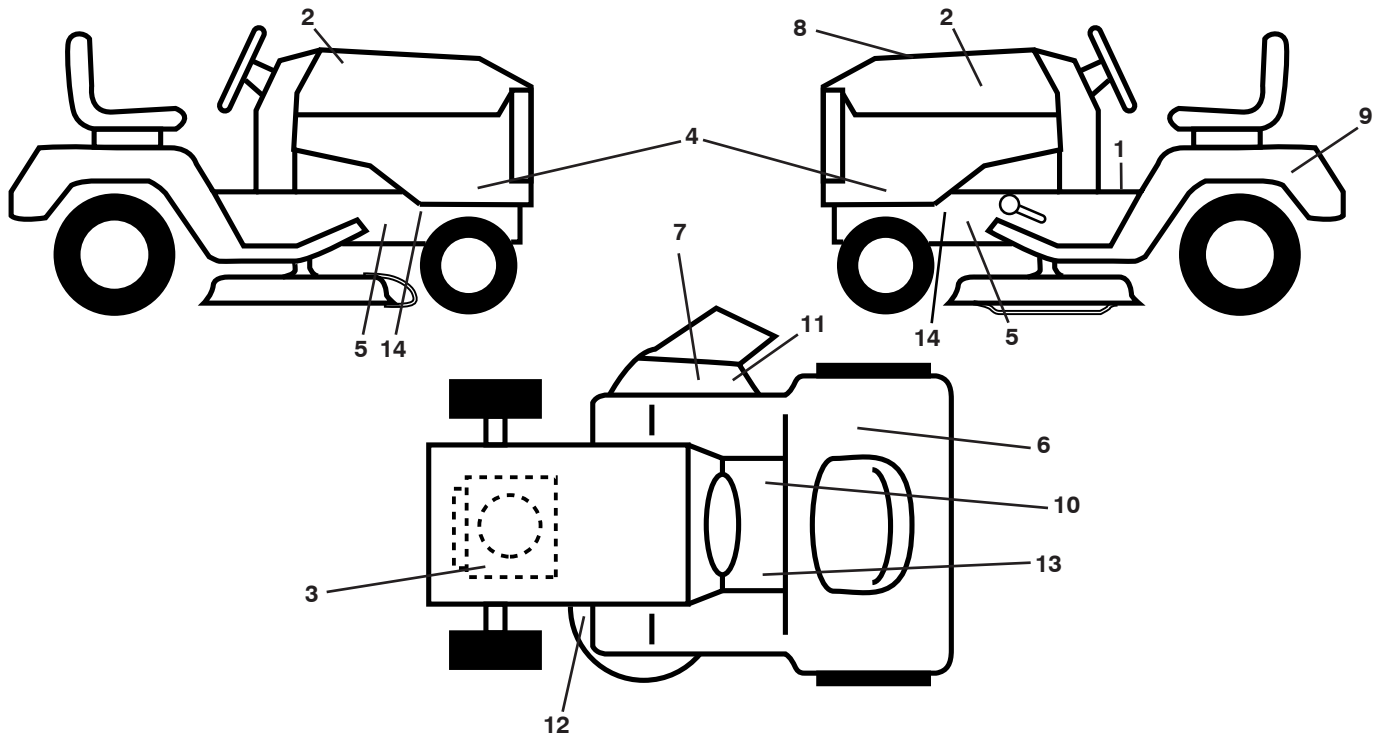
PRODUCT NO. 960 41 02-41



47

432042

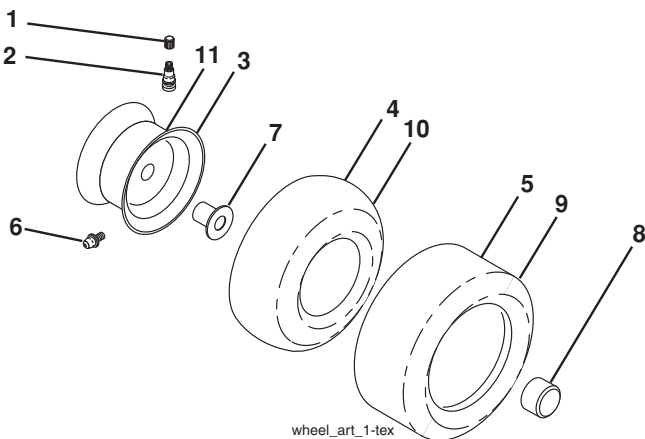
**TRACTOR - - MODEL NO. LT154 (96041024100), PRODUCT NO. 960 41 02-41
DECALS 27**



KEY NO.	PART NO.	DESCRIPTION
1	532 40 03-89	Decal, Operators
2	581 62 73-01	Hood Emblem
3	532 19 68-41	Decal, Warning Eng. Symbols
4	532 44 63-46	Decal, Hood Panel
5	532 15 97-36	Decal, Chassis Hot Muffler
6	532 18 04-32	Decal, Fender 100 DB/CE
7	532 18 21-66	Decal, Cutfingher CE
8	532 43 20-42	Decal, Rpl.
9	532 14 50-05	Decal, Battery Dan./Poi.

KEY NO.	PART NO.	DESCRIPTION
10	532 14 08-37	Decal, Saddle Brake Parking
11	532 19 63-57	Decal, Warning
12	532 19 43-02	Decal, Mower V-Belt Schematic
13	532 15 97-37	Decal, Brake/Clutch Symbol
14	532 40 11-46	Decal, Warning-Service/Fire
--	532 43 96-81	Pad, Footrest, LH
--	532 43 99-66	Pad, Footrest, RH
--	532 16 25-98	Decal, Drawbar Load Limit
--	532 44 63-62	Manual Oper. Euro

WHEELS AND TIRES

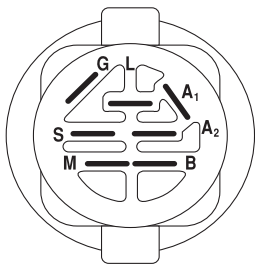
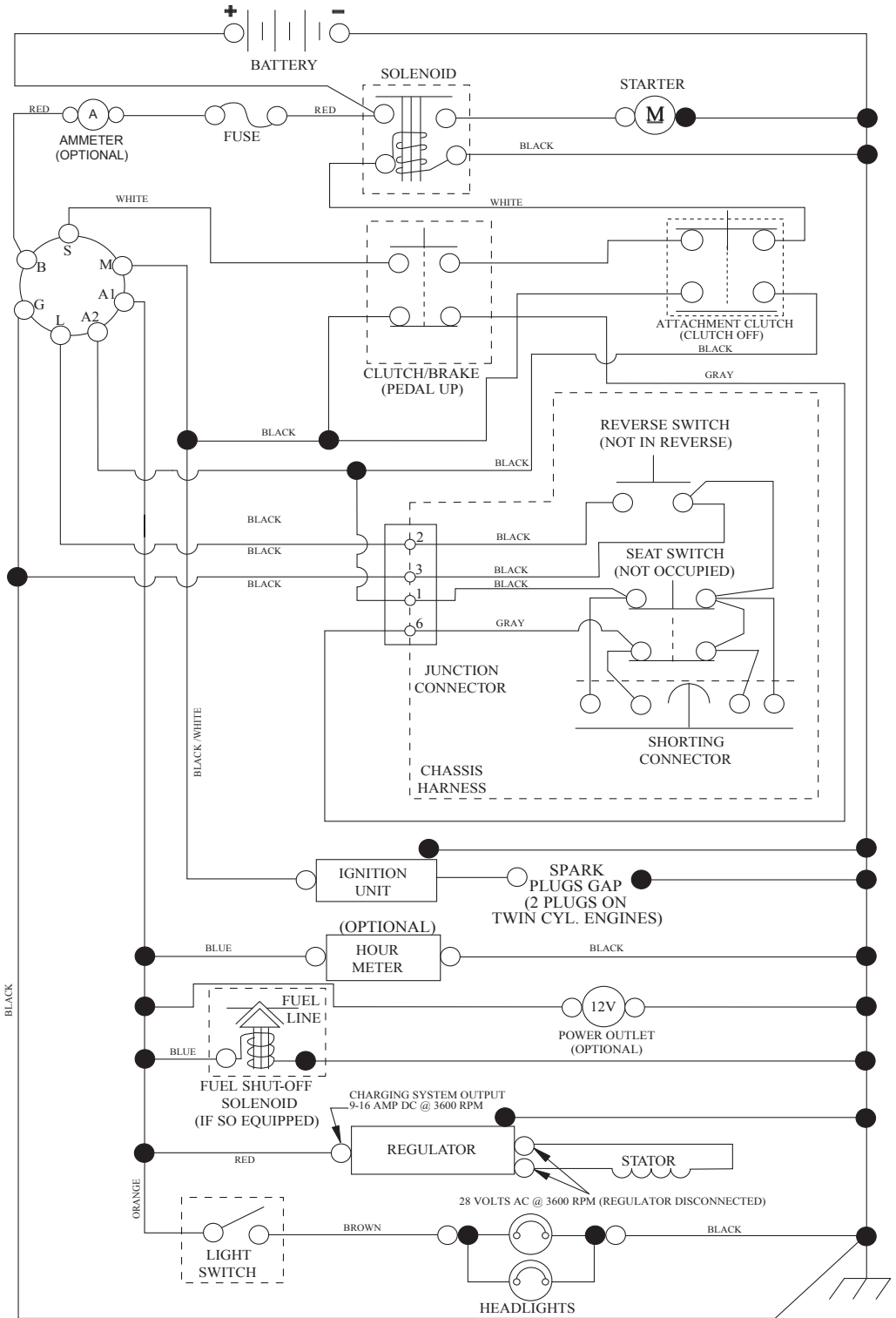


KEY NO.	PART NO.	DESCRIPTION
1	532 05 91-92	Cap Valve Tire
2	532 06 51-39	Stem Valve
3	532 13 83-36	Rim Asm. 6" Front
4	532 05 99-04	Tube Front (Service Item Only)
5	532 10 62-22	Tire F T 15 x 6 0 - 6
6	532 12 49-57	Fitting Grease (Front Wheel Only)
7	532 12 49-59	Bearing Flange (Front Wheel Only)
8	532 17 50-39	Cap Axle Blk. 1 50 x 1 00
9	532 42 05-31	Tire R 18 x 9.5-8 Turf Saver LT
10	532 12 49-26	Tube Rear (Service Item Only)
11	532 13 83-37	Rim Asm. 8" Rear
--	532 14 43-34	Sealant, Tire (10 oz. Tube)

NOTE: All component dimensions given in U.S. inches
1 inch = 25.4 mm

TRACTOR - - MODEL NO. LT154 (96041024100), PRODUCT NO. 960 41 02-41 SCHEMATIC **38**

SCH10



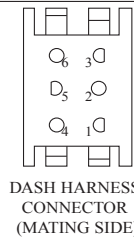
IGNITION SWITCH

POSITION	CIRCUIT	"MAKE"
OFF	M+G+A1	
RUN/OVERRIDE	B+A1	
RUN	B+A1	L+A2
START	B + S + A1	

03107



CHASSIS HARNESS CONNECTOR (MATING SIDE)



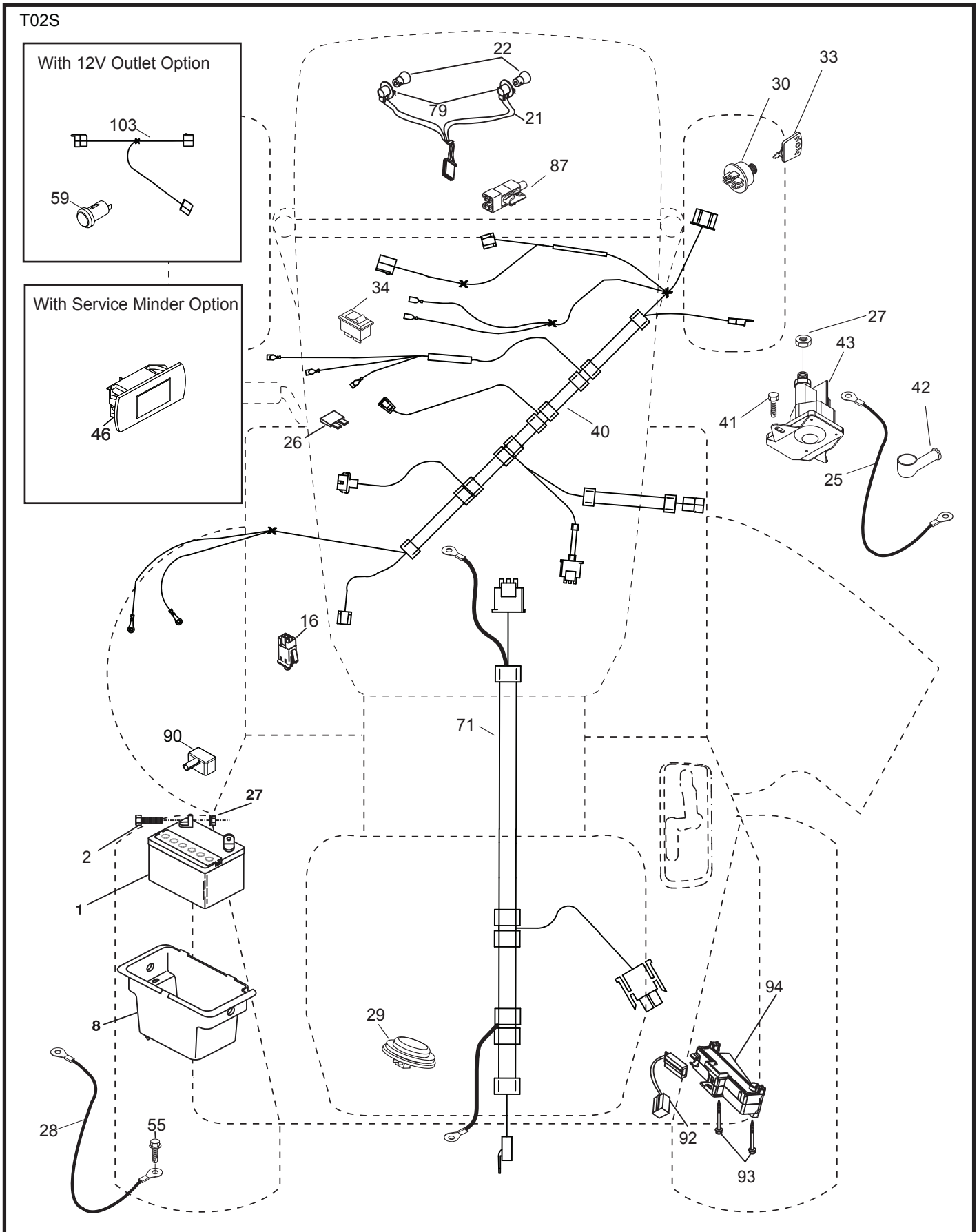
DASH HARNESS CONNECTOR (MATING SIDE)

WIRING INSULATED CLIPS
NOTE: IF WIRING INSULATED CLIPS WERE REMOVED FOR SERVICING OF UNIT, THEY SHOULD BE RE-INSTALLED TO PROPERLY SECURE YOUR WIRING.

●
NON-REMOVABLE CONNECTIONS

○
REMOVABLE CONNECTIONS

**TRACTOR - - MODEL NO. LT154 (96041024100), PRODUCT NO. 960 41 02-41
ELECTRICAL 32**

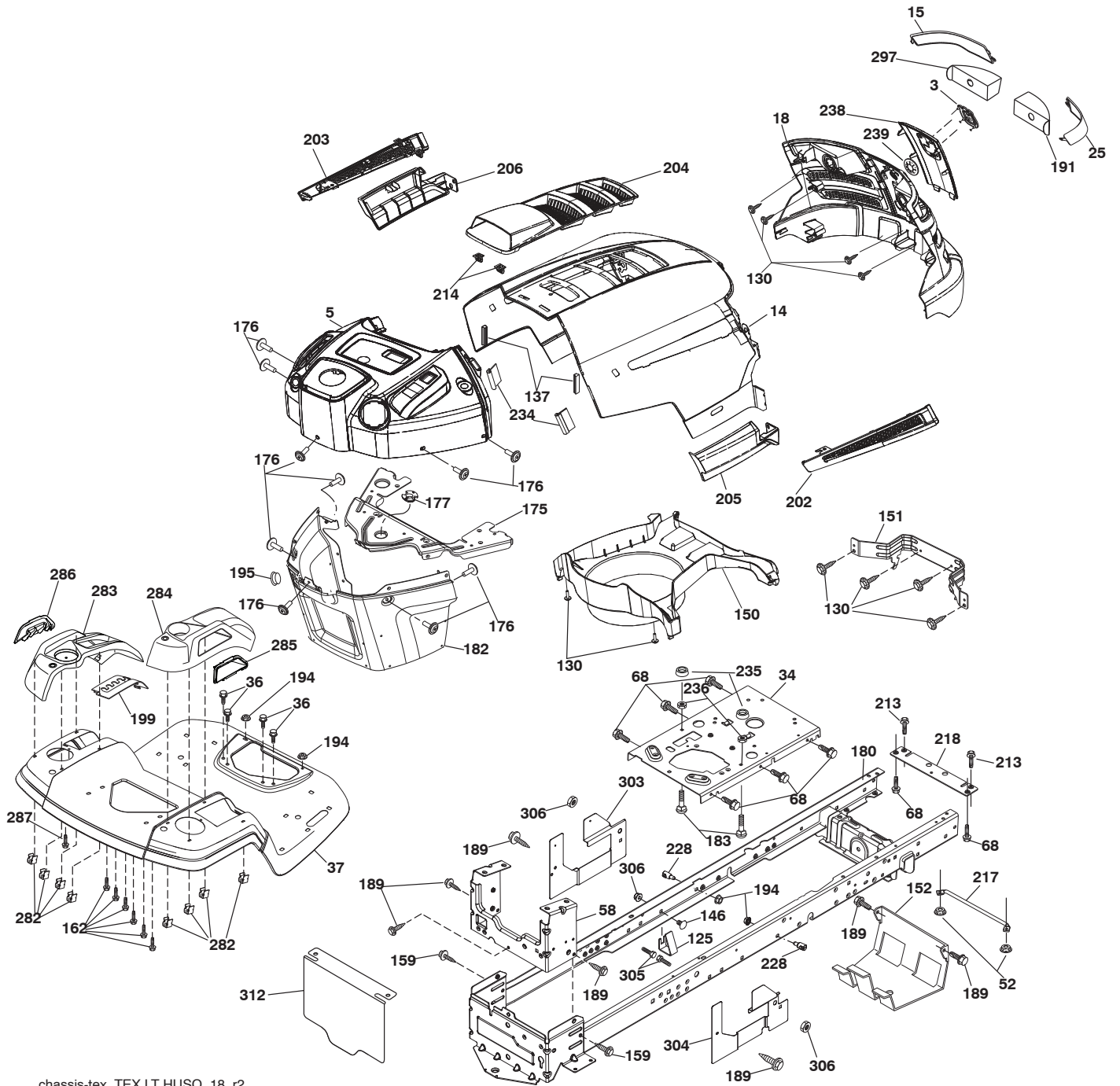


**TRACTOR - - MODEL NO. LT154 (96041024100), PRODUCT NO. 960 41 02-41
ELECTRICAL 32**

KEY NO.	PART NO.	DESCRIPTION
1	532 16 34-65	Battery
2	874 76 04-12	Bolt Hex Head 1/4-20 x 3/4
8	532 19 32-28	Box Battery
16	532 17 61-38	Switch Interlock Push-In
21	532 40 02-52	Harness Socket Light w/4152J
22	532 00 41-52	Bulb Light
25	532 41 28-94	Cable Starter
26	532 17 51-58	Fuse
27	873 51 04-00	Nut Keps Hex 1/4-20 unc
28	532 19 88-85	Cable, Ground
29	532 40 15-45	Switch, Seat
30	532 19 33-50	Switch, Ign.
33	532 41 19-35	Key/Chain
34	532 11 07-12	Switch Light/Reset
40	532 40 10-98	Harness Ign. Dash
41	817 72 04-08	Screw Thd. Cut 1/4-20 x 1/2
42	532 13 15-63	Cover, Terminal
43	532 19 25-07	Solenoid
55	817 06 05-12	Screw Thdrol. 5/16-18 x 3/4 TYTT
71	532 40 04-49	Harness Chassis
79	532 17 52-42	Socket Asm. Bulb Twistlock
87	532 19 78-02	Switch Interlock Clutch Cable
90	532 43 53-95	Cover Terminal
92	532 19 66-15	Harness Pigtail Reverse Switch
93	532 19 25-40	Screw Plastite 10-14 x 2.0
94	532 19 18-34	Module Reverse ROS

NOTE: All component dimensions given in U.S. inches
1 inch = 25.4 mm

TRACTOR - - MODEL NO. LT154 (96041024100), PRODUCT NO. 960 41 02-41
CHASSIS AND ENCLOSURES 39



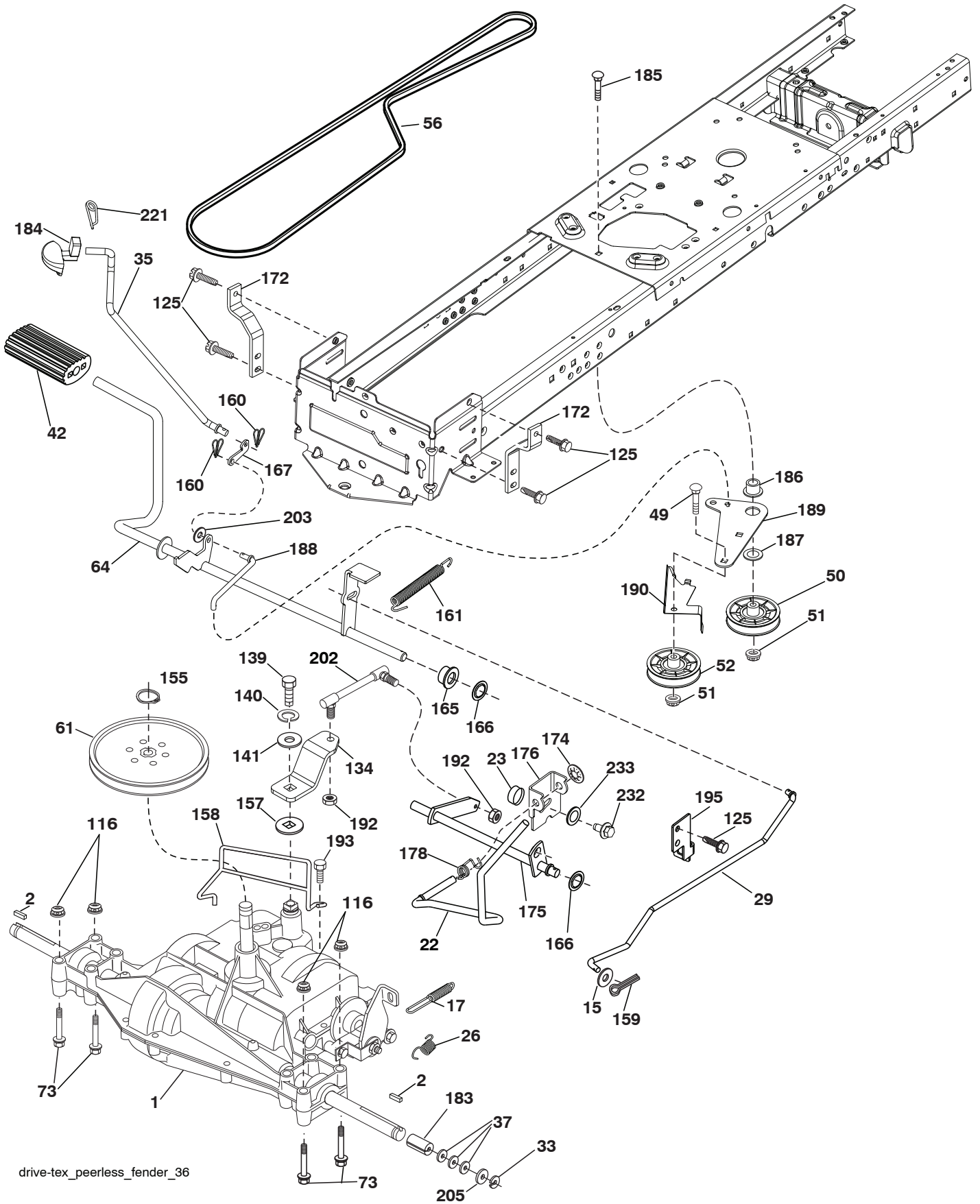
chassis-tex_TEX LT HUSQ_18_r2

**TRACTOR - - MODEL NO. LT154 (96041024100), PRODUCT NO. 960 41 02-41
CHASSIS AND ENCLOSURES 39**

KEY NO.	PART NO.	DESCRIPTION	KEY NO.	PART NO.	DESCRIPTION
3	532 40 50-12	Logo	199	532 41 34-85	Plate Deck Lift
5	532 43 89-64	Dash	202	532 44 13-42	Vent Side Hood RH
14	532 44 12-67	Hood	203	532 44 13-43	Vent Side Hood LH
15	532 44 14-28	Lens LH	204	532 44 18-06	Vent Top Hood
18	532 44 13-68	Grille	205	532 44 13-44	Skirt Side RH
25	532 44 14-27	Lens RH	206	532 44 13-45	Skirt Side LH
34	532 19 61-25	Plate Engine	213	874 76 05-12	Bolt 5/16-18 unc x 3/4
36	817 06 05-12	Screw 5/16-18 x 3/4	214	532 19 91-45	Clip Retainer
37	532 44 12-66	Fender	217	532 40 91-67	Rod Pivot Hood
52	873 68 05-00	Nut Crown Lock 5/16-18	218	532 19 63-95	X-Piece Hood Stop
58	532 41 22-80	Drawbar Upper	228	532 19 51-61	Stud Fastener
68	817 49 05-08	Screw Thdrol. 5/16-18 x 1/2	234	532 40 47-42	Bumper Hood
125	581 68 48-01	Clip Fuel Line	235	532 40 61-29	Spacer Fender
130	532 41 63-58	Screw #10 x 0.750 BOS Thread	236	873 93 05-00	Nut Lock 5/16-18 unc
137	532 40 75-90	Bumper Dash	238	532 44 13-74	Trim
146	581 85 79-01	Bolt	239	532 40 48-83	Clip Tinnerman
150	532 40 75-37	Air Duct	282	532 41 41-10	Clip Retainer Console
151	532 40 78-07	Bracket Pivot	283	532 43 91-52	Console Deck Lift Husq. N/FR. GR
152	532 19 95-35	Shield Browning	284	532 44 20-39	Console Shft Hyd HUSQ. LT.
159	817 00 06-12	Screw 3/8 - 16 x 3/4	285	532 41 63-15	Console Insrt. RH HUSQ.
162	532 14 24-32	Screw Hex Wsh. Hi-Lo 1/4 x 1/2	286	532 41 63-17	Console Insrt. LH HUSQ.
175	532 19 94-72	Crossmember	287	817 60 04-06	Screw Hex WASHEAD 1/4-20 x 3/8
176	532 40 07-76	Screw 10-24 x 5/8	297	532 40 66-65	Insert Reflective LH
177	532 19 52-28	Bushing Steering	303	532 42 09-59	Shield Chassis French LH
180	532 41 50-63	Chassis	304	532 42 15-09	Shield Chassis French RH
182	532 40 71-76	Dash Lower	305	872 11 06-06	Bolt RDHD SHT SQNK 3/8-16 x 3/4
183	874 52 05-20	Bolt 5/16-18 unc x 1-1/4	306	873 90 06-00	Nut Lock FLG 3/8-16 unc
189	817 00 05-12	Screw 5/16-18 x 3/4	312	532 42 59-26	Shield Drawbar French
191	532 41 65-01	Insert Reflective RH			
194	873 90 05-00	Nut Lock Hex Flange 5/16-18			
195	532 43 99-76	Plug Dash			

NOTE: All component dimensions given in U.S. inches
1 inch = 25.4 mm

TRACTOR - - MODEL NO. LT154 (96041024100), PRODUCT NO. 960 41 02-41
 DRIVE **40**

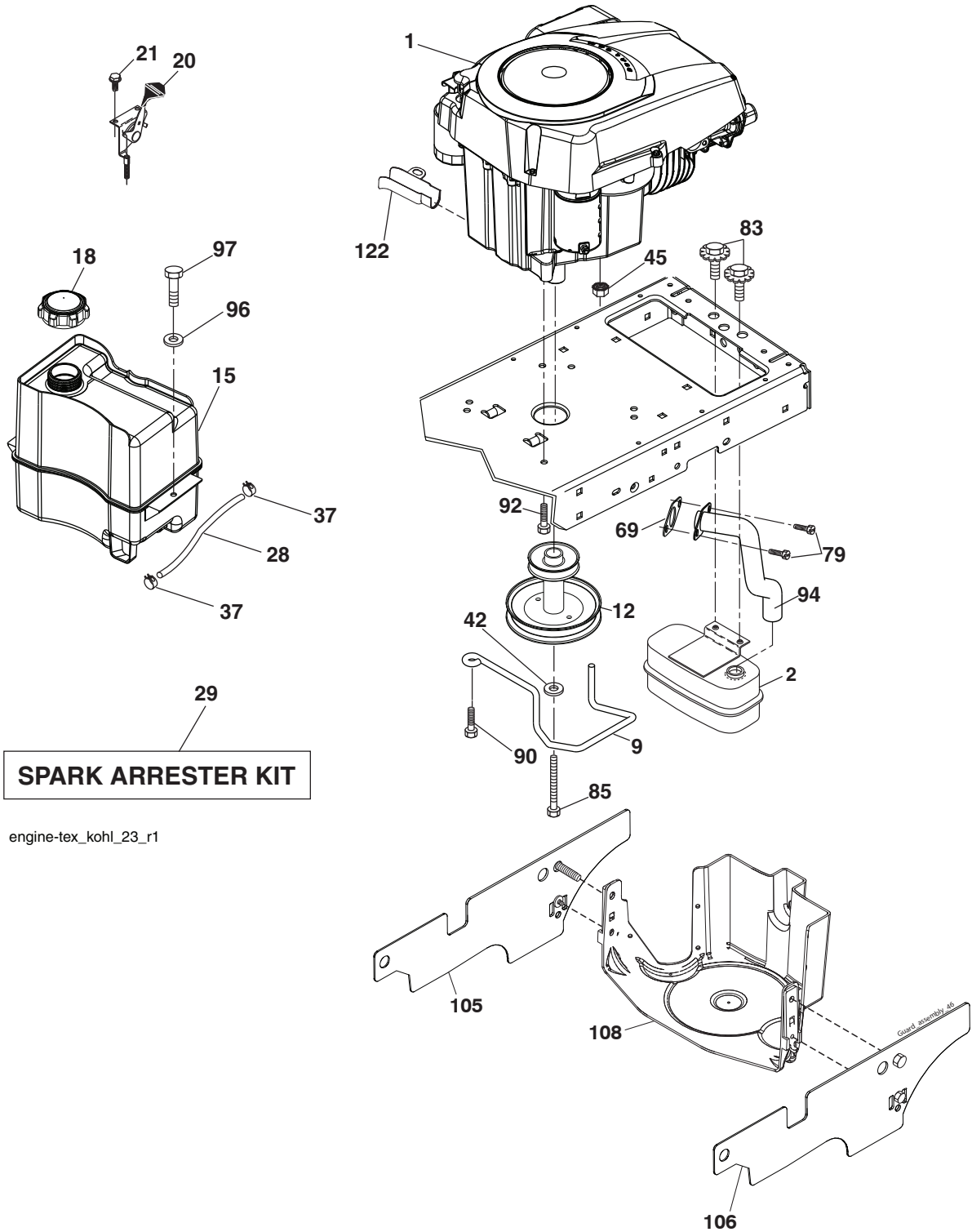


drive-tex_peerless_fender_36

**TRACTOR - - MODEL NO. LT154 (96041024100), PRODUCT NO. 960 41 02-41
DRIVE 40**

KEY NO.	PART NO.	DESCRIPTION	KEY NO.	PART NO.	DESCRIPTION
1	-----	Transaxle, Peerless 206-565 (197941) (Order parts from trans-axle manufacturer.)	159	876 02 04-12	Pin Cotter 1/8 x 3/4
2	532 12 35-83	Key Square	160	532 16 94-84	Retainer Clip
15	819 13 13-16	Washer 13/32 x 13/16 x 16 Ga.	161	532 10 57-09	Spring, Return, Clutch
17	532 19 72-97	Spring, Brake	165	532 19 62-12	Bushing Shaft Brake Hand Control
22	532 19 76-60	Rod Shift	166	532 42 91-64	Nut Push .625
23	532 12 12-74	Knob Duckhead 1/2-13	167	532 40 52-57	Latch Brake Parking
26	532 19 74-55	Spring Brake Return	172	532 19 76-57	Strap Torque LH
29	532 19 72-67	Rod, Brake	174	532 19 72-89	Nut Push
33	812 00 00-01	Ring E	175	532 19 78-58	Shaft Asm. Shift
35	532 40 10-31	Rod, Brake, Park	176	532 19 62-14	Arm Clevis Rod Shift
37	532 12 17-49	Washer 25/32 x 1-1/4 x 16 Ga.	178	532 19 74-56	Spring Shift
42	532 12 48-72	Cover, Foot Pedal	183	532 13 70-57	Spacer Axle
49	872 11 06-14	Bolt	184	532 44 14-07	Knob
50	532 19 43-27	Pulley Idler Flat	185	872 11 06-22	Bolt Rdhd 3/8-16 unc x 2-3/4 Gr. 5
51	873 90 06-00	Lock Nut 3/8-16	186	532 19 43-21	Spacer Retainer
52	532 19 43-26	Idler V-Groove 910" Offset	187	819 13 32-10	Washer
56	532 19 43-46	V-Belt, Drive	188	532 19 43-23	Link Clutch Ground Drive
61	532 12 36-66	Pulley Transaxle	189	532 19 43-17	Bellcrank Ground Drive
64	532 19 62-00	Shaft Asm. Pedal Brake Control	190	532 19 43-18	Keeper Bellcrank Ground Drive
73	874 49 05-44	Bolt Hex Flghd. 5/16-18 Gr. 5	192	532 15 03-60	Nut Lock Center 1/4-28 Fnthd.
116	873 90 05-00	Nut Lock Hex Flange 5/16-18	193	817 06 05-12	Screw 5/16-18 x 3/4
125	817 00 05-12	Screw 5/16-18 x 3/4	195	532 19 73-32	Bracket Brake Rod
134	532 19 78-57	Asm. Shift	202	532 19 78-59	Link Transaxle
139	874 55 04-12	Bolt 1/4-28 unF Gr. 8 w/Patch	203	819 11 11-16	Washer 11/32 x 11/16 x 16 Ga.
140	810 04 04-00	Washer Lock Hvy. Helical 1/4	205	532 12 17-48	Washer 25/32 x 1-5/8 16 Ga.
141	819 09 12-10	Washer 9/32 x 3/4 x 10 Ga.	221	532 40 31-87	Retainer Spring Clip Handle
155	812 00 00-28	Ring Retainer	232	874 78 07-16	Bolt Fin. Hex 7/16-14 x 1 Gr. 5
157	532 10 57-01	Washer Plate Shift	233	532 40 52-96	Washer Serrated
158	532 19 43-52	Belt Keeper			

NOTE: All component dimensions given in U.S. inches
1 inch = 25.4 mm

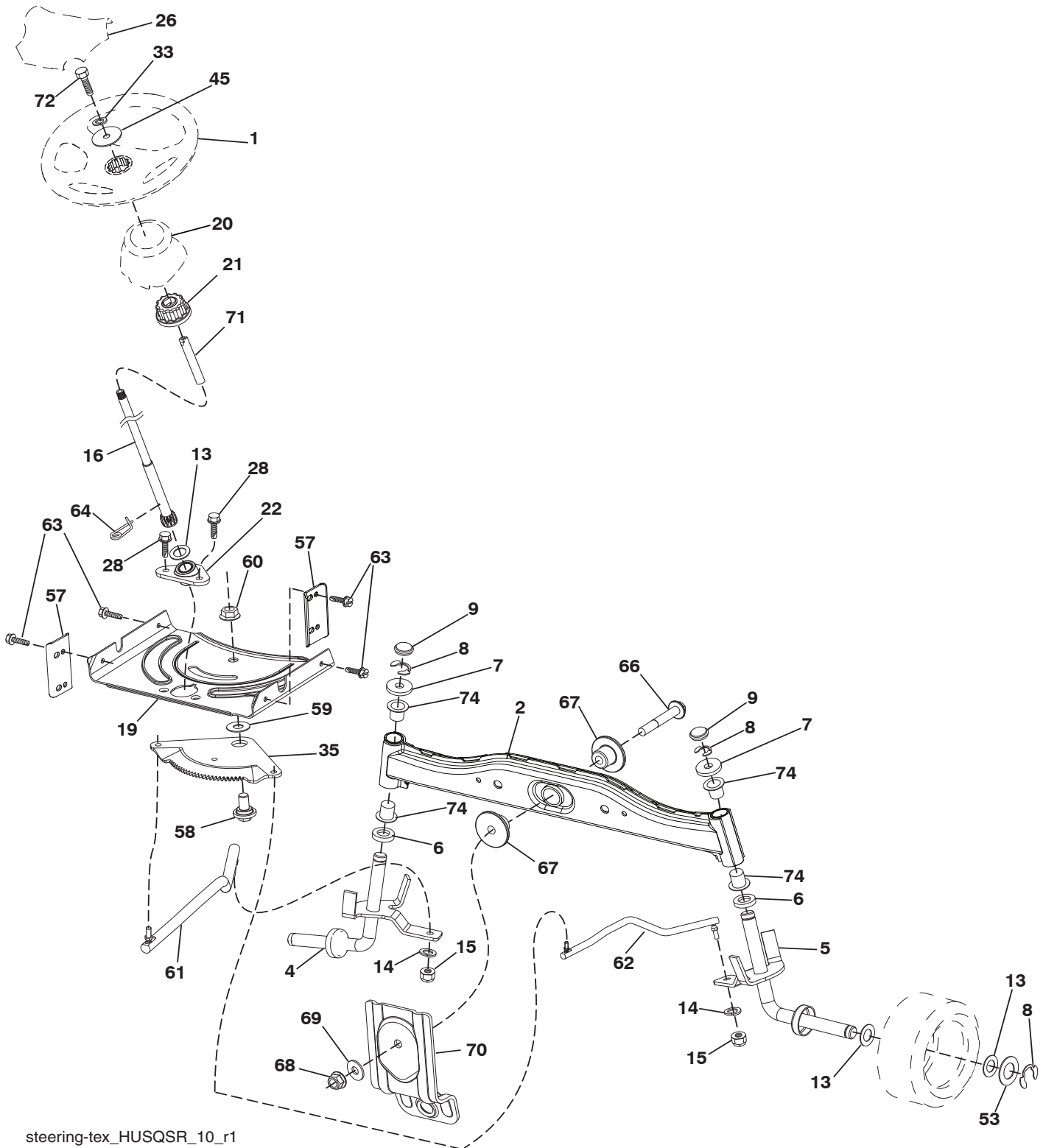


**TRACTOR - - MODEL NO. LT154 (96041024100), PRODUCT NO. 960 41 02-41
ENGINE 24**

KEY NO.	PART NO.	DESCRIPTION
1	— — — — —	Engine Kohler Model No. SV470-3212 (438330) (Order parts from engine manufacturer.)
2	532 18 86-55	Muffler
9	532 19 43-19	Keeper Belt Engine
12	532 40 19-85	Pulley Engine
15	532 40 75-45	Tank Fuel 1.5
18	532 43 02-20	Cap Fuel
20	532 18 38-97	Control Throttle
21	532 41 63-58	Screw #10 x 0.750 BOS Thread
28	532 13 70-40	Fuel Line
29	532 13 71-80	Spark Arrester Kit
37	532 12 34-87	Clamp Hose
42	810 04 07-00	Bolt 5/16-18 unc x 3/4 w/Sems.
45	873 51 04-00	Nut Keps Hex 1/4-20 unc
69	532 18 59-09	Gasket
79	532 19 23-34	Screw 5/16 - 18 x .75
83	532 17 18-77	Bolt 5/16-18 unc x 3/4 w/Sems.
85	532 17 39-37	Bolt Hex 7/16-20 x 4 Gr. 5
90	817 00 06-16	Screw 3/8-16 x 1
92	817 12 06-16	Screw 3/8-16 x 1
94	532 18 86-54	Tube Exhaust
96	819 09-14-16	Washer 9/32 x 7/8 x 16 Ga.
97	817 67 04-12	Screw 1/4-20 x 3/4
105	532 44 06-81	Shield Side LH
106	532 44 06-80	Shield Side RH
108	532 42 17-94	Cover Asm. Engine
122	532 42 19-22	Extension Drain Oil

NOTE: All component dimensions given in U.S. inches
1 inch = 25.4 mm

TRACTOR - - MODEL NO. LT154 (96041024100), PRODUCT NO. 960 41 02-41
 STEERING ASSEMBLY **41**



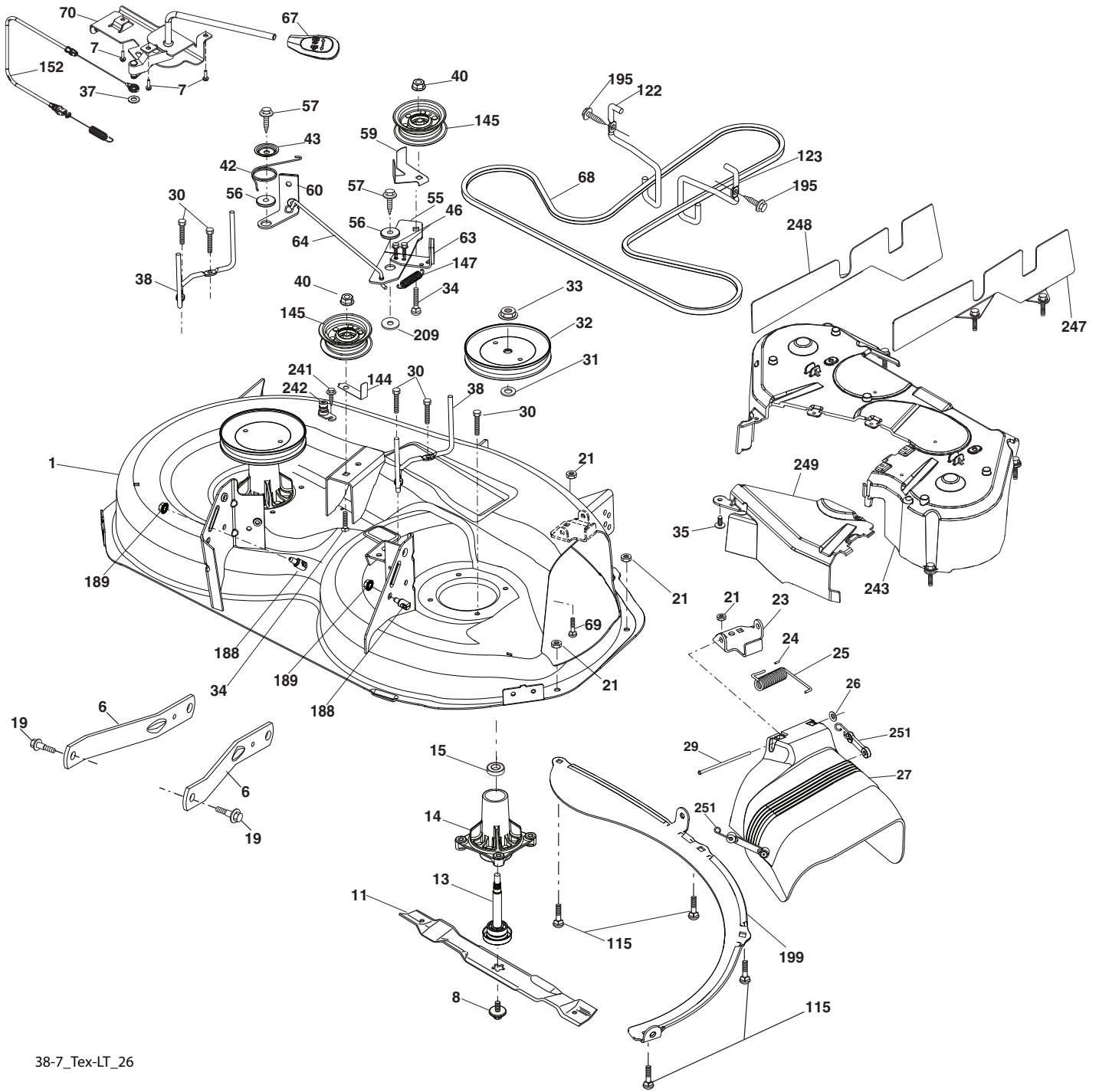
steering-tex_HUSQSR_10_r1

**TRACTOR - - MODEL NO. LT154 (96041024100), PRODUCT NO. 960 41 02-41
STEERING ASSEMBLY **41****

KEY NO.	PART NO.	DESCRIPTION
1	532 43 97-40	Wheel, Steering Husq SR
2	532 41 81-68	Axle Asm., Front
4	532 40 30-87	Spindle Asm., LH
5	532 40 30-88	Spindle Asm., RH
6	532 12 49-31	Bearing, Race Thrust Hardened
7	532 12 17-48	Washer 25/32 x 1-5/8 x 16 Ga.
8	812 00 00-29	Ring, Clip #T5304-75
9	532 12 12-32	Cap, Spindle
13	532 12 17-49	Washer 25/32 x 1-1/4 x 16 Ga.
14	810 04 06-00	Washer, Lock Hvy. Hlcl. Spr. 3/8
15	873 54 06-00	Nut, Crown Lock 3/8-24 unf
16	532 42 93-73	Shaft Steering
19	532 19 47-29	Plate Steering
20	532 44 14-25	Boot, Steering
21	532 18 67-37	Adapter, Wheel Steering
22	532 42 05-37	Supt., Strg. Lower
26	532 43 97-43	Insert, Wheel Steering Husq SR
28	817 00 06-12	Screw 3/8-16 x 3/4
33	810 04 05-00	Washer Lock 5/16
35	532 19 47-32	Gear, Sector Plate
45	819 11 38-12	Washer 11/32 x 3/8 x 12 Ga.
53	532 18 89-67	Washer Hardened .793 x 1.637 x .060
57	532 40 74-65	Bracket Upstop
58	532 19 47-47	Bolt Shoulder Sector Pivot CFM
59	532 19 47-48	Washer Thrust Sector Steering
60	873 97 10-00	Nut Flange Lock 5/8-11
61	532 19 47-40	Draglink, LH
62	532 19 47-41	Draglink, RH
63	817 00 05-12	Screw 5/16-18 x 3/4
64	532 19 98-49	Retainer Clip Spring Steering
66	871 02 07-48	Bolt Hex Fghd. 7/16-14 x 3 Serr.
67	532 19 47-37	Bushing PM Front Axle
68	873 90 07-00	Nut Lock Flange 7/16-14 Gr. 5
69	532 19 91-62	Washer 1.5 x .505 x .118
70	532 19 61-97	Bracket Deck Susp. Front
71	532 19 07-52	Shaft Extension Steering
72	532 42 89-82	Bolt Fin Hx 5/16-18 x 4 w/Patch
74	532 12 49-37	Bearing Col. STRG

NOTE: All component dimensions given in U.S. inches
1 inch = 25.4 mm

TRACTOR - - MODEL NO. LT154 (96041024100), PRODUCT NO. 960 41 02-41
MOWER DECK 44



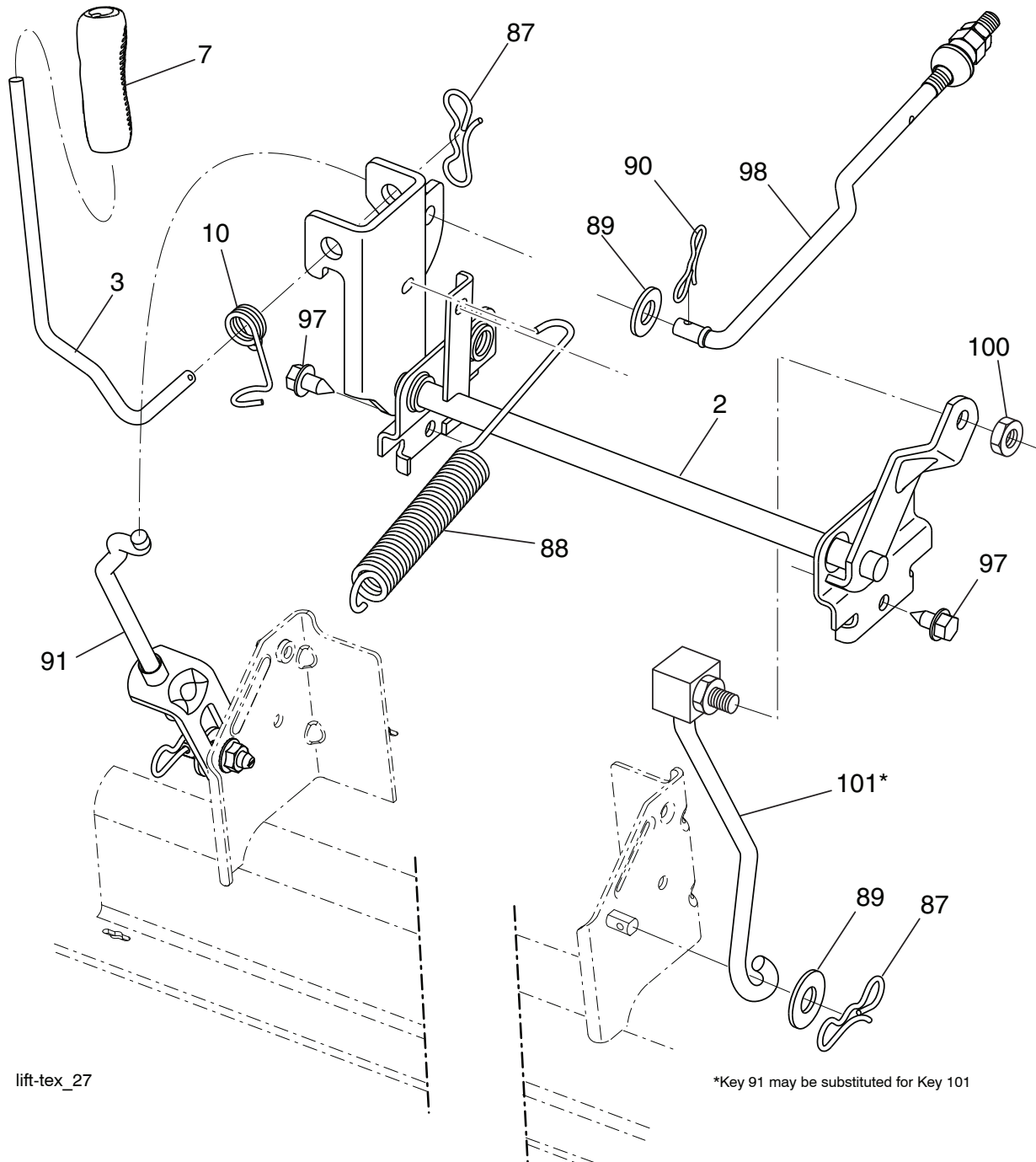
38-7_Tex-LT_26

**TRACTOR - - MODEL NO. LT154 (96041024100), PRODUCT NO. 960 41 02-41
MOWER DECK 44**

KEY NO.	PART NO.	DESCRIPTION	KEY NO.	PART NO.	DESCRIPTION
1	532 44 41-63	Mower Housing	64	532 19 97-90	Link Brake
6	532 19 51-86	Arm Suspension	67	532 40 30-12	Handle Clutch Cable
7	532 41 63-58	Screw #10 x BOS Thread	68	532 40 83-81	V-Belt
8	532 19 30-03	Bolt/Washer Asm. 7/16-20 unf	69	872 14 05-05	Bolt
11	532 19 39-57	Blade 38" 3NI Premium	70	532 40 12-46	Clutch Asm. Manual
13	532 19 28-72	Shaft Assembly, Mandrel	115	872 11 05-05	Bolt Carr. 5/16-18x5 18 Short
14	532 18 72-81	Housing, Mandrel	122	532 19 72-58	Keeper Belt Engine LH
15	532 11 04-85	Bearing, Ball, Mandrel	123	532 19 72-59	Keeper Belt Engine RH
19	532 19 65-39	Bolt, Shoulder	144	532 19 34-14	Keeper Belt
21	873 68 05-00	Nut, Crownlock 5/16-18 unc	145	532 19 31-97	Pulley, Idler, Flat
23	532 19 25-57	Bracket, Deflector	147	532 40 18-72	Spring Return
24	532 10 53-04	Cap, Sleeve	152	532 43 51-11	Manual Clutch Cable
25	532 19 70-26	Spring, Torsion, Deflector	188	532 19 51-61	Stud Fastener
26	532 11 04-52	Nut, Push	189	873 90 05-00	Nut Lock Hex Flange
27	532 40 16-18	Shield, Deflector	195	817 00 06-12	Screw 3/8-16 x 3/4
29	532 13 14-91	Rod, Hinge	199	532 40 00-95	Baffle Vortex
30	532 17 39-84	Screw Thdrol. Rolling Wsh. Hd.	209	819 13 32-10	Washer 13/32 x 2 x 10
31	532 18 76-90	Washer, Spacer	241	532 15 29-27	Screw TT #10-32.5 3/8 Flange
32	532 19 97-89	Pulley, Mandrel	242	532 41 55-98	Port Washout
33	532 40 02-34	Nut, Toplock, Flanged	243	532 43 23-63	Cover Assy
34	872 11 06-12	Bolt Carr. Sh. 3/8-16 x 1-1/2 Gr. 5	247	532 43 02-58	Shield Deck RH Assy
35	532 13 38-35	Fastener, Christmas Tree	248	532 43 02-59	Shield Deck LH Assy
37	819 13 13-16	Washer	249	532 40 65-14	Cover Cable Clutch
38	532 19 95-41	Keeper Belt LH Mandrel	251	532 43 60-87	Kit Bungee (Includes Phillips head screw, weld nut, screw, bungee latch, and bungee strap)
40	873 90 06-00	Nut, Lock Flg. 3/8-16 unc	--	532 19 28-70	Mandrel Assembly (Includes housing, shaft and shaft hardware only-pulley not included)
42	532 19 84-10	Spring Torsion Brake	--	532 44 33-58	Replacement Mower, Complete
43	532 19 72-56	Spring Torsion Retainer			
46	532 13 77-29	Screw 1/4-20 x 5/8			
55	532 19 72-49	Arm, Idler			
56	532 19 90-92	Spacer, Retainer			
57	817 00 06-16	Screw 3/8-16 x 1			
59	532 14 10-43	Guard, Tuv. Idler			
60	532 19 94-71	Arm Brake Mower			
63	532 19 94-70	Arm Brake Mower			

NOTE: All component dimensions given in U.S. inches
1 inch = 25.4 mm

**TRACTOR - - MODEL NO. LT154 (96041024100), PRODUCT NO. 960 41 02-41
MOWER LIFT 45**



lift-tex_27

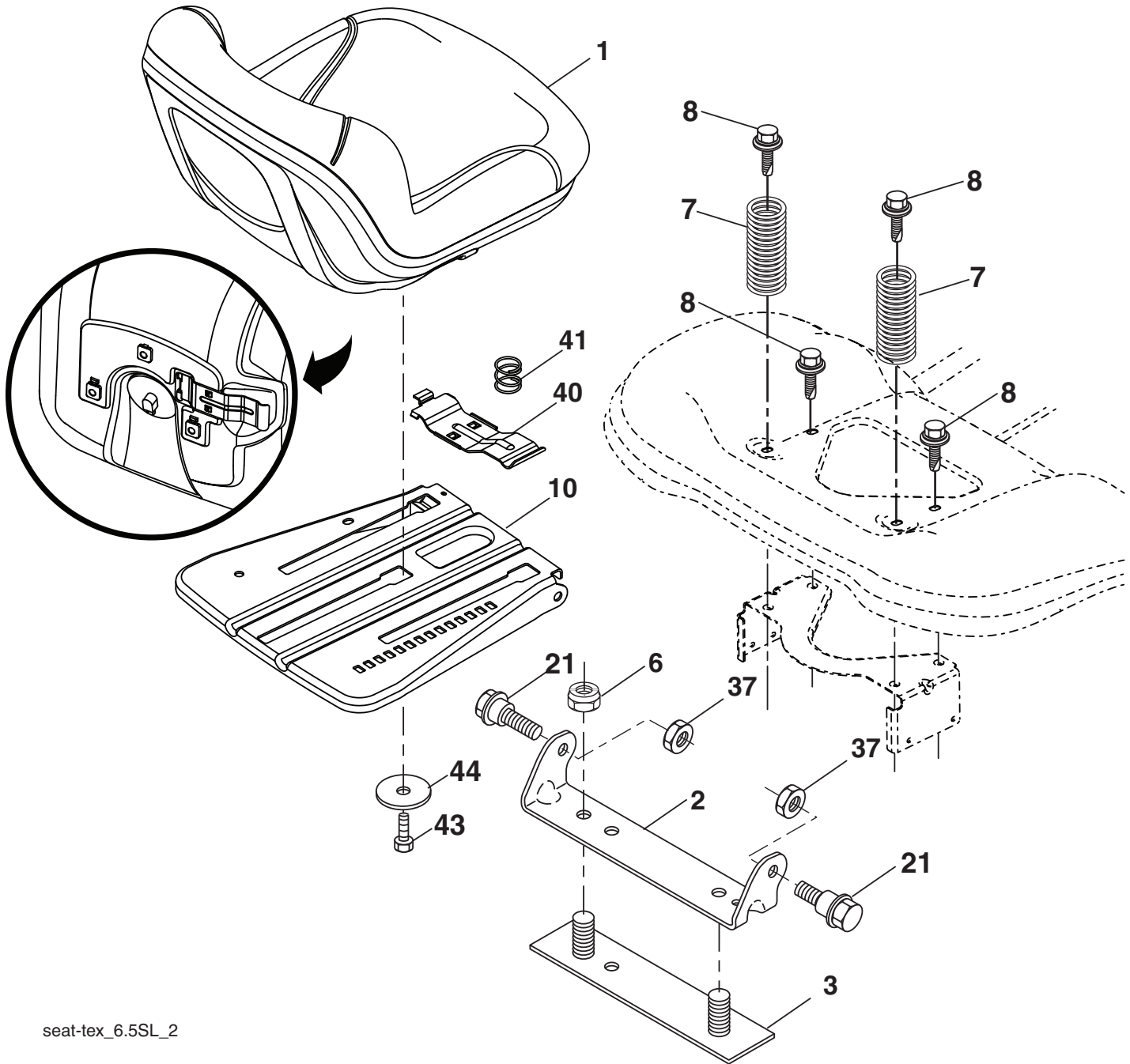
*Key 91 may be substituted for Key 101

KEY NO.	PART NO.	DESCRIPTION
2	532 42 20-27	Shaft Asm., Lift
3	532 19 52-31	Lever Asm., Lift RH
7	532 41 15-55	Grip, Lever
10	532 19 63-14	Spring Torsion
87	532 19 42-09	Pin Cotter 7/16 Bow Tie Lock
88	532 41-07-10	Spring Lift Assist
89	819 19 19-12	Washer Clear Zinc
90	532 19 42-08	Pin Cotter 5/16 Bow Tie Lock

KEY NO.	PART NO.	DESCRIPTION
91	532 19 51-81	Link Lift Susp. Mower Rear
97	817 00 06-12	Screw 3/8-16 x .75 Smgml. Tap/R.Z
98	532 19 52-70	Link Lift Susp. Front Mower
100	873 93 06-00	Nut Centerlock 3/8-16
101	532 40-70-03	Link Asm. Lift FXD

NOTE: All component dimensions given in U.S. inches
1 inch = 25.4 mm

**TRACTOR - - MODEL NO. LT154 (96041024100), PRODUCT NO. 960 41 02-41
SEAT ASSEMBLY 42**



seat-tex_6.5SL_2

KEY NO.	PART NO.	DESCRIPTION
1	532 43 98-19	Seat
2	532 18 01-66	Bracket Pivot Fender
3	532 14 06-75	Strap, Asm. Fender
6	873 80 06-00	Nut, Lock w/Ins. 3/8-16 unc
7	532 12 41-81	Spring, Seat Cprsn.
8	532 17 18-77	Bolt 5/16-18 unc x 3/4 w/Sems.
10	532 19 69-77	Pan, Seat
21	532 17 18-52	Bolt, Shoulder 5/16-18

KEY NO.	PART NO.	DESCRIPTION
37	873 80 05-00	Nut, Lock 5/16-18 unc
40	532 19 76-61	Handle
41	532 19 82-00	Spring
43	874 76 06-12	Bolt 3/8-16 unc x 3/4
44	819 13 38-12	Washer 13/32 x 2-3/8 x 12 Ga.

NOTE: All component dimensions given in U.S. inches
1 inch = 25.4 mm

