

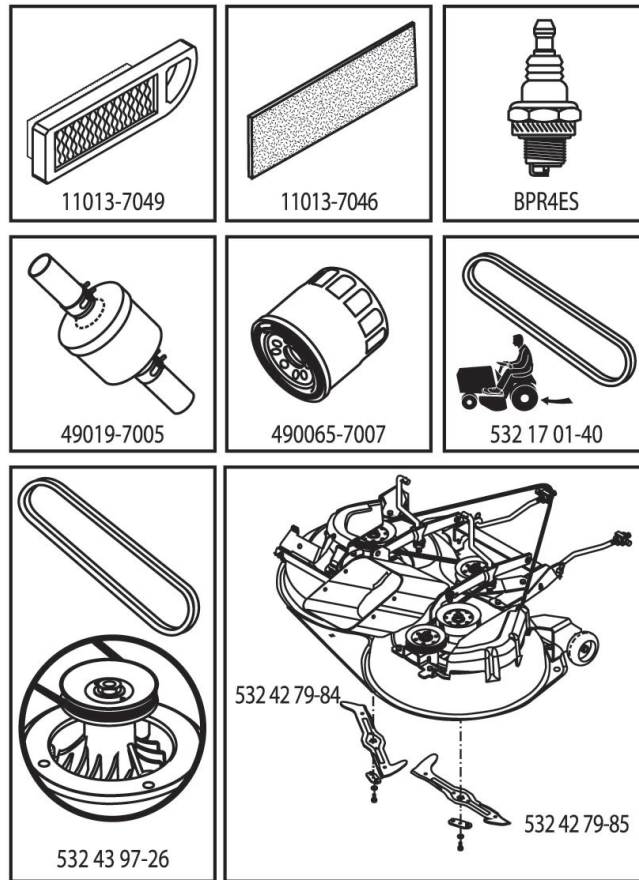
ILLUSTRATED PARTS LIST

MFG. ID NO. 96051001700

CUSTOMER CATALOG NO. CTH163T

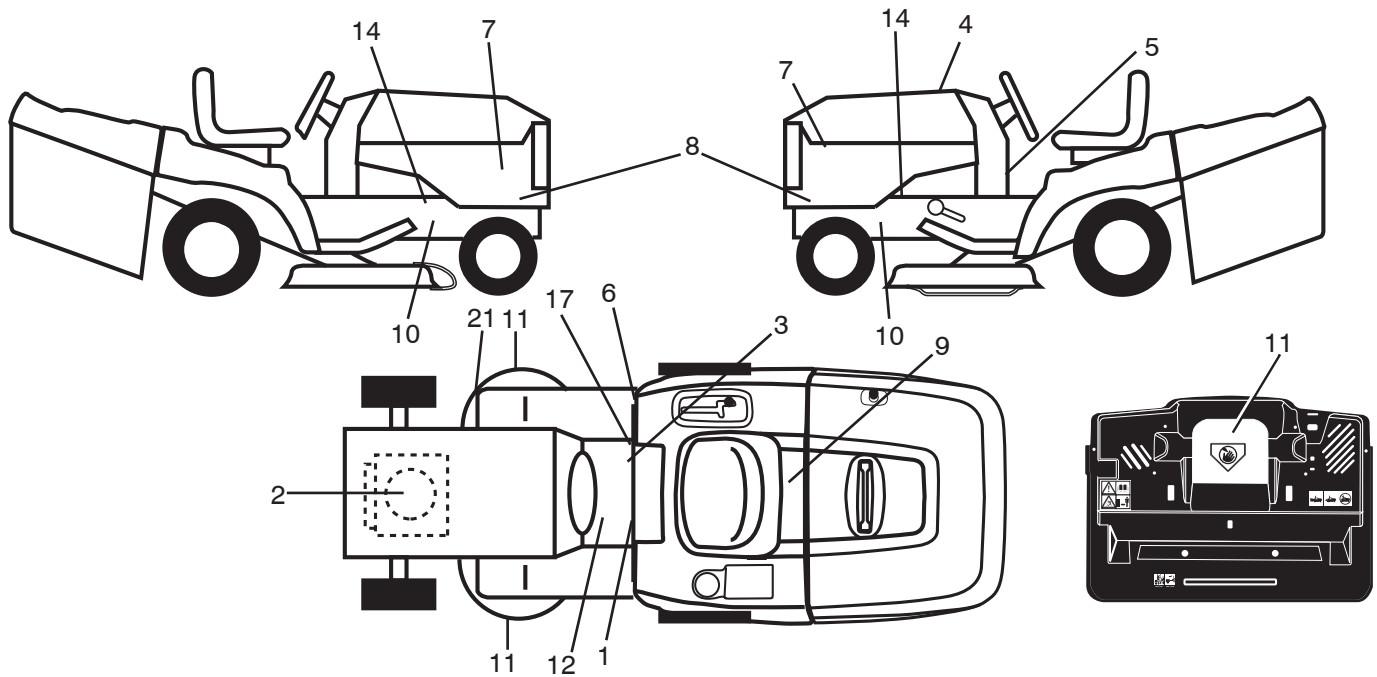
PRODUCT NO. 960 51 00-17

47



438895

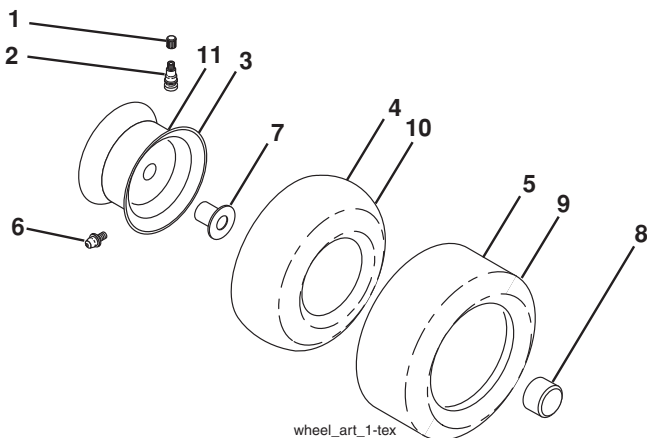
**TRACTOR - MODEL NO. CTH163T (96051001700), PRODUCT NO. 960 51 00-17
DECALS 27**



| KEY NO. | PART NO. | DESCRIPTION |
|---------|--------------|------------------------------|
| 1 | 532 40 03-89 | Decal Warning Sym. CE |
| 2 | 532 19 68-41 | Decal Warning Eng. Sym. |
| 3 | 532 17 83-02 | Decal Operator Cruise Symbol |
| 4 | 532 43 88-95 | Decal Replacement |
| 5 | 532 44 02-47 | Decal, Lower Dash |
| 6 | 532 18 04-32 | Decal 100 DBA |
| 7 | 581 62 73-01 | Decal Hood |
| 8 | 532 43 99-51 | Decal Side Panel |
| 9 | 532 44 09-01 | Decal Bypass |
| 10 | 532 40 11-46 | Decal Warning |

| KEY NO. | PART NO. | DESCRIPTION |
|---------|--------------|-------------------------------|
| 11 | 532 18 21-66 | Decal Mower Cut Finger Symbol |
| 12 | 532 15 97-37 | Decal Brake/Clutch Symbol Lt |
| 14 | 532 15 97-36 | Decal Chassis Hot Muffler |
| 17 | 532 14 08-37 | Decal Saddle Brake Parking |
| 21 | 532 44 11-89 | Decal Belt Schematic |
| -- | 532 18 04-35 | Decal Backplate |
| -- | 532 44 27-44 | Decal Battery Door |
| -- | 532 44 14-09 | Pad Footrest LH |
| -- | 532 44 14-10 | Pad Footrest RH |
| -- | 532 44 10-42 | Manual Operator's (Euro) |

WHEELS AND TIRES



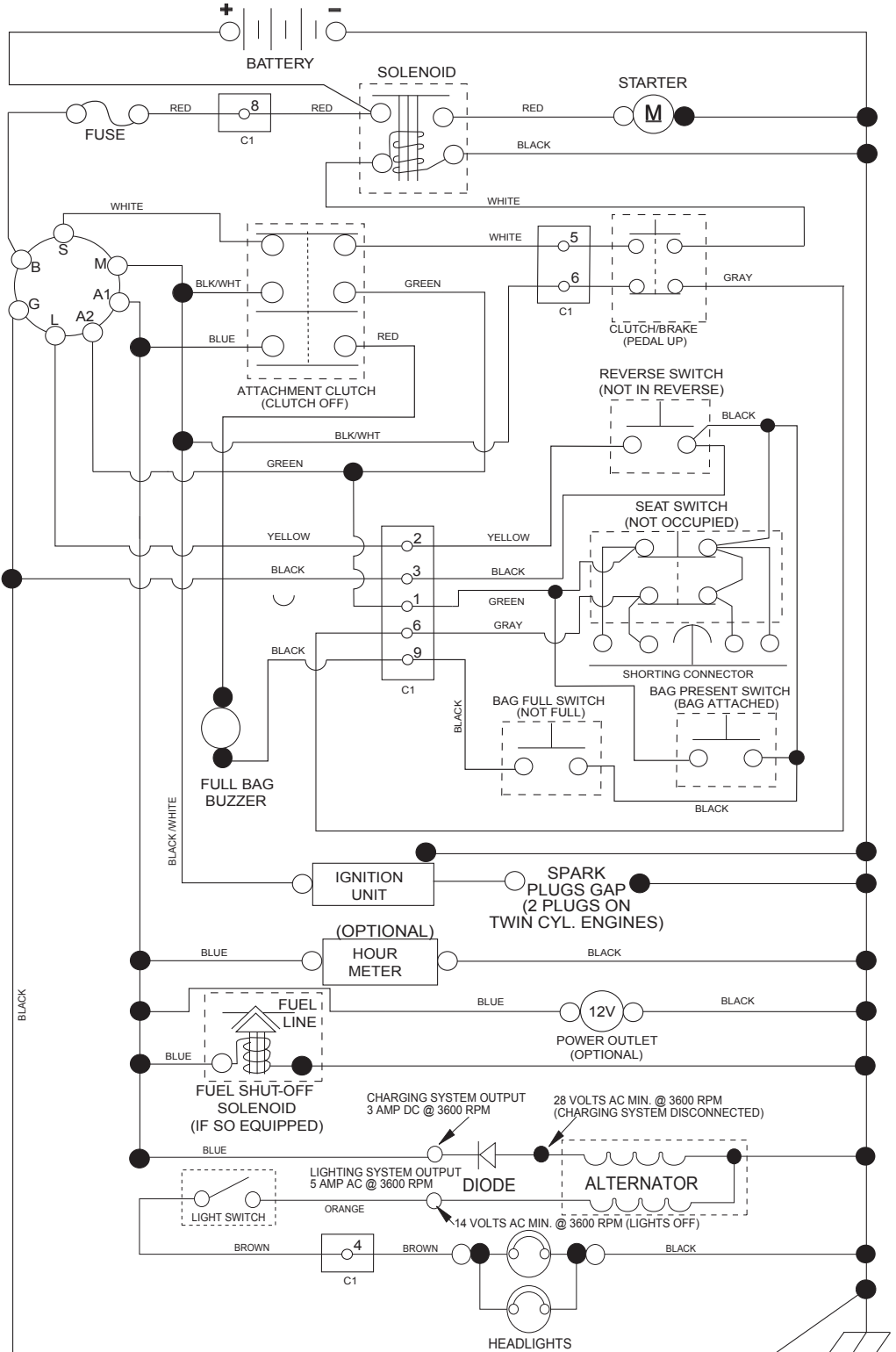
| KEY NO. | PART NO. | DESCRIPTION |
|---------|--------------|-----------------------------------|
| 1 | 532 05 91-92 | Cap Valve Tire |
| 2 | 532 06 51-39 | Stem Valve |
| 3 | 532 13 83-36 | Rim Front |
| 4 | 532 05 99-04 | Tube Front (Service Item Only) |
| 5 | 532 10 62-22 | Tire Front 15 x 6.0-6 |
| 6 | 532 12 49-57 | Fitting Grease (Front Wheel Only) |
| 7 | 532 12 49-59 | Bearing Flange (Front Wheel Only) |
| 8 | 532 17 50-39 | Cap Axle Blk 1 50 x 1 00 |
| 9 | 532 42 05-31 | Tire R.TS 18 x 9.5-8.C.Ser. |
| 10 | 532 12 49-26 | Tube Rear (Service Item Only) |
| 11 | 532 13 83-37 | Rim Asm 8" Rear |
| -- | 532 14 43-34 | Sealant, Tire (10 oz. Tube) |

NOTE: All component dimensions given in U.S. inches
1 inch = 25.4 mm

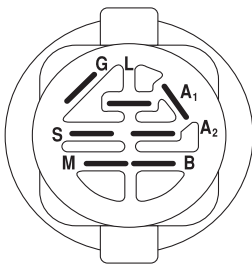
TRACTOR - MODEL NO. CTH163T (96051001700), PRODUCT NO. 960 51 00-17

SCHEMATIC 38

SCH17

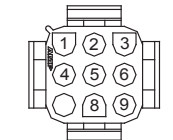


NOTE
 YOUR TRACTOR IS EQUIPPED WITH A SPECIAL ALTERNATOR SYSTEM. THE LIGHTS ARE NOT CONNECTED TO THE BATTERY, BUT HAVE THEIR OWN ELECTRICAL SOURCE. BECAUSE OF THIS, THE BRIGHTNESS OF THE LIGHTS WILL CHANGE WITH ENGINE SPEED. AT IDLE THE LIGHTS WILL DIM. AS THE ENGINE SPEED IS INCREASED, THE LIGHTS WILL BECOME THEIR BRIGHTEST.

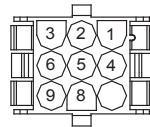


IGNITION SWITCH

| POSITION | CIRCUIT | "MAKE" |
|--------------|------------|--------|
| OFF | M+G+A1 | |
| RUN/OVERRIDE | B+A1 | |
| RUN | B+A1 | L+A2 |
| START | B + S + A1 | |



CHASSIS HARNESS CONNECTOR (C1) (MATING SIDE)



DASH HARNESS CONNECTOR (C1) (MATING SIDE)

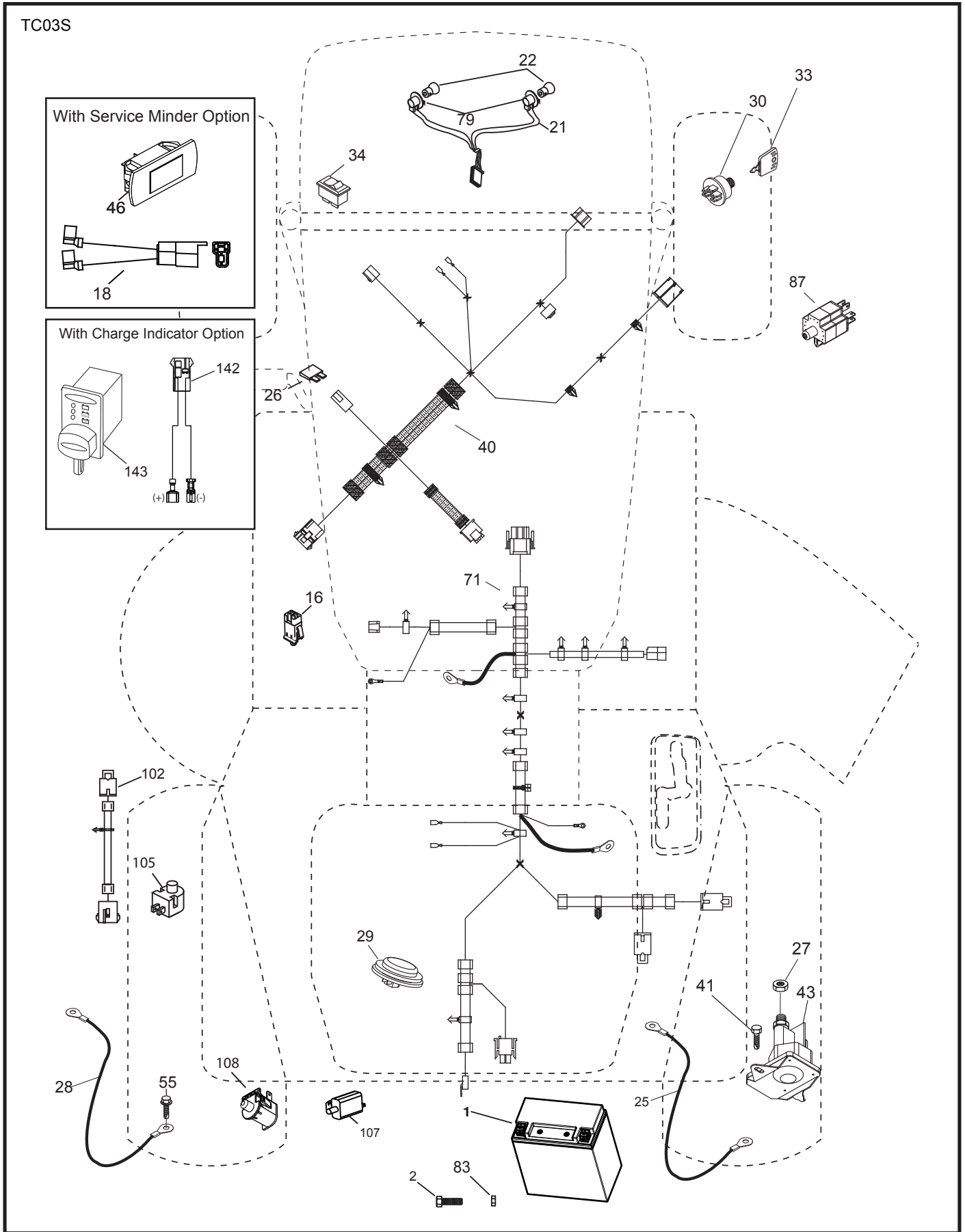
WIRING INSULATED CLIPS
 NOTE: IF WIRING INSULATED CLIPS WERE REMOVED FOR SERVICING OF UNIT, THEY SHOULD BE RE-INSTALLED TO PROPERLY SECURE YOUR WIRING.

NON-REMOVABLE CONNECTIONS

REMOVABLE CONNECTIONS

TRACTOR - MODEL NO. CTH163T (96051001700), PRODUCT NO. 96051 00-17
ELECTRICAL 32

TC03S

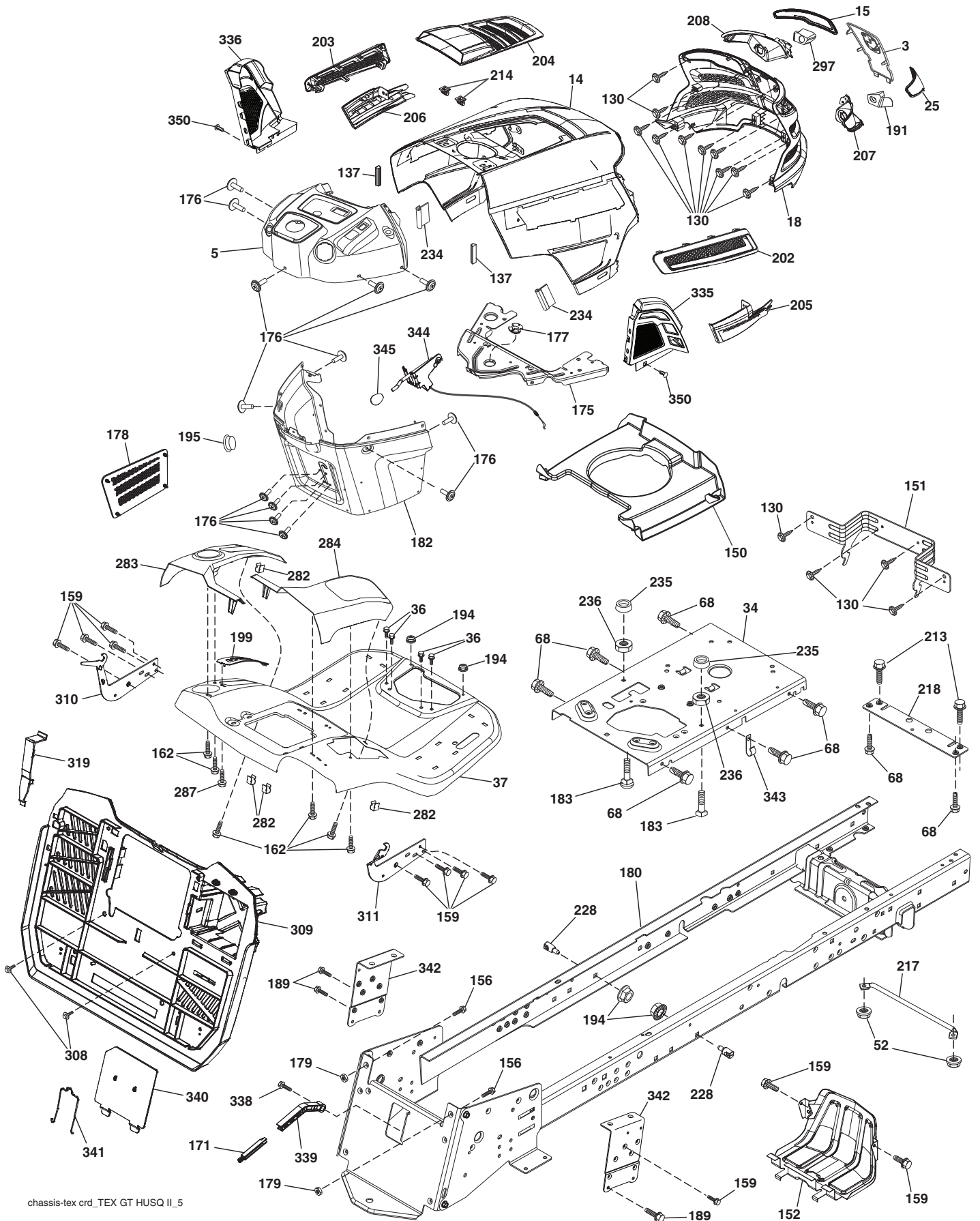


TRACTOR - MODEL NO. CTH163T (96051001700), PRODUCT NO. 960 51 00-17
ELECTRICAL 32

| KEY NO. | PART NO. | DESCRIPTION |
|----------------|-----------------|---------------------------------|
| 1 | 532 43 71-57 | Battery |
| 2 | 532 44 09-23 | Screw Hex Hd Cap M6 x 1.12MM |
| 16 | 532 17 61-38 | Switch Interlock Push-In |
| 21 | 532 40 02-52 | Harness Socket Light w/4152J |
| 22 | 532 00 41-52 | Bulb Light |
| 25 | 532 43 71-62 | Cable Starter |
| 26 | 532 17 51-58 | Fuse |
| 27 | 873 51 04-00 | Nut Keps Hex 1/4-20 unc |
| 28 | 532 43 71-63 | Cable, Ground |
| 29 | 532 40 15-45 | Switch, Seat |
| 30 | 532 19 33-50 | Switch, Ign |
| 33 | 532 41 19-35 | Key/Chain |
| 34 | 532 11 07-12 | Switch Light/Reset |
| 40 | 532 42 10-02 | Harness Ign. Dash |
| 42 | 532 13 15-63 | Cover, Terminal |
| 43 | 532 19 25-07 | Solenoid |
| 46 | 532 40 17-63 | Gauge Serviceminder Hrmtr |
| 55 | 817 06 05-12 | Screw Thdrol 5/16-18 x 3/4 TYTT |
| 71 | 532 44 08-20 | Chassis |
| 79 | 532 17 52-42 | Socket Asm. Bulb |
| 83 | 532 43 67-74 | Nut Square M6 x 1.8.5 x 11MM |
| 87 | 532 42 10-60 | Switch Railmount |
| 99 | 817 72 04-08 | Screw 1/4-20 x 1/2 |
| 102 | 532 40 44-54 | Harness Pigtail |
| 105 | 532 40 75-68 | Switch Reverse |
| 107 | 532 18 03-79 | Switch Tall Bagger |
| 108 | 532 42 10-62 | Switch Snapmount |

NOTE: All component dimensions given in U.S. inches
1 inch = 25.4 mm

TRACTOR - MODEL NO. CTH163T (96051001700), PRODUCT NO. 96051 00-17
CHASSIS AND ENCLOSURES **39**



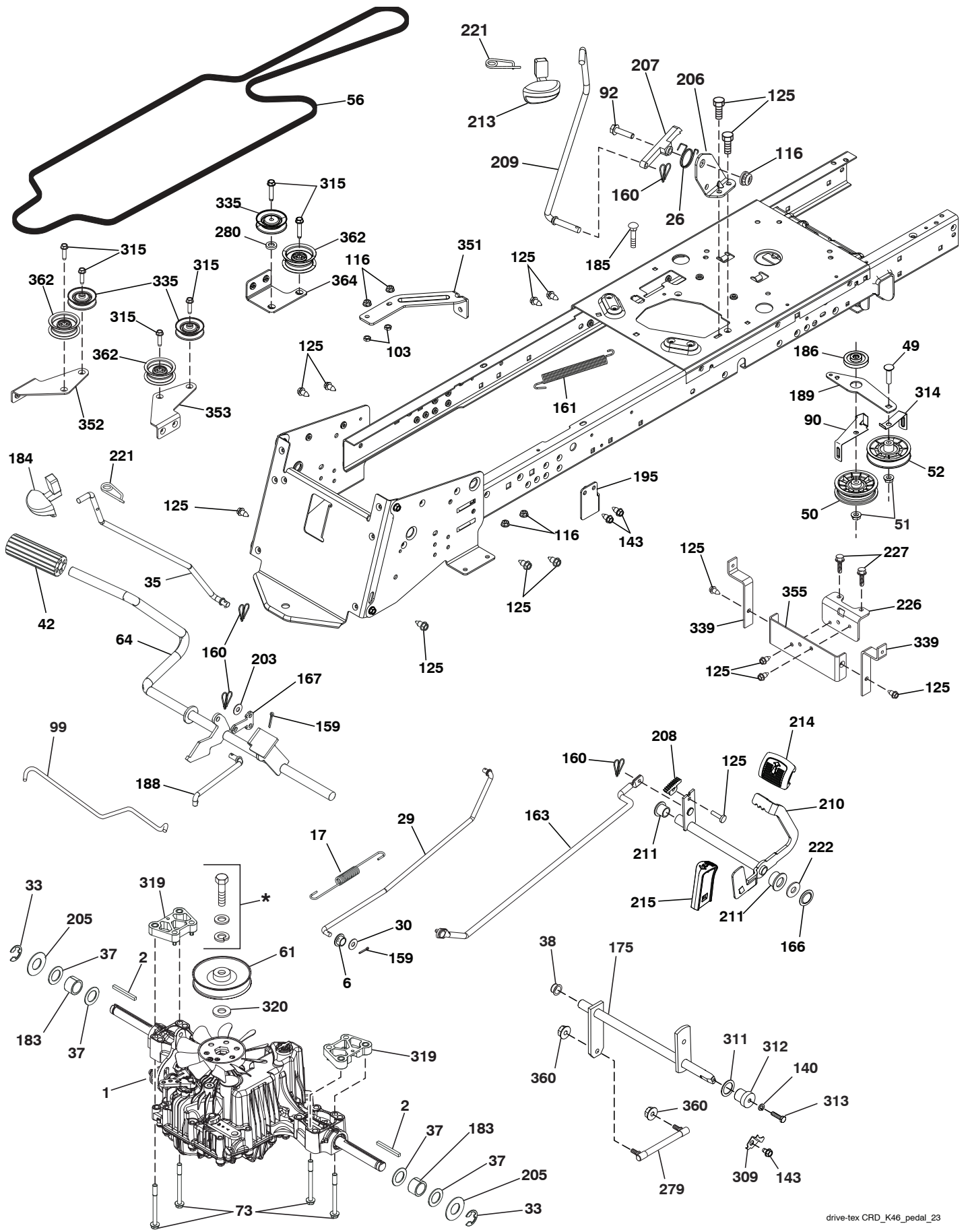
chassis-tex crd_TEX GT HUSQ II_5

**TRACTOR - MODEL NO. CTH163T (96051001700), PRODUCT NO. 960 51 00-17
CHASSIS AND ENCLOSURES **39****

| KEY NO. | PART NO. | DESCRIPTION | KEY NO. | PART NO. | DESCRIPTION |
|----------------|-----------------|--------------------------------|----------------|-----------------|--------------------------------|
| 3 | 532 43 97-52 | Applique | 206 | 532 43 97-29 | Skirt Hood Side LH |
| 5 | 532 43 74-81 | Dash | 207 | 532 43 97-34 | Bezel RH |
| 14 | 532 44 11-77 | Hood | 208 | 532 43 97-35 | Bezel LH |
| 15 | 532 43 97-33 | Lens LH | 213 | 874 76 05-12 | Bolt 5/16-18 x 3/4 |
| 18 | 532 43 77-62 | Grille | 214 | 532 19 91-45 | Clip Retainer Tinner |
| 25 | 532 44 33-85 | Lens RH | 217 | 532 40 91-67 | Rod Pivot |
| 34 | 532 44 72-53 | Plate Engine | 218 | 532 19 63-95 | X-Piece Hood Stop |
| 36 | 817 06 05-12 | Screw 5/16-18 x 3/4 | 228 | 532 19 51-61 | Stud Fastner |
| 37 | 532 44 13-69 | Fender | 234 | 532 40 47-42 | Bumper Hood |
| 52 | 873 68 05-00 | Nut Lock 5/16-18 | 235 | 532 40 61-29 | Spacer Fender |
| 68 | 817 49 05-08 | Screw Thdrol 5/16-18 x 1/2 | 236 | 873 93 05-00 | Nut Lock 5/16-18 unc |
| 130 | 532 41 63-58 | Screw #10 x 0.750 | 282 | 532 41 41-10 | Clip Retainer |
| 137 | 532 40 75-90 | Bumper Dash | 283 | 532 44 05-31 | Console Deck Lift LH |
| 150 | 532 43 97-31 | Air Duct | 284 | 532 44 05-30 | Console Shft SRD RH |
| 151 | 532 43 66-70 | Bracket Pivot | 287 | 817 60 04-06 | Screw 1/4-20 x 3/8 |
| 152 | 532 43 98-70 | Shield Browning | 297 | 532 43 74-56 | Insert Reflective LH |
| 156 | 872 14 06-14 | Bolt 3/8 unc x 1-3/4 | 308 | 532 17 18-77 | Bolt 5/16-18 unc x 3/4 |
| 159 | 817 00 06-12 | Screw Hexwsh Thrd 3/8-16 x 3/4 | 309 | 532 43 66-26 | Backplate |
| 162 | 532 14 24-32 | Screw | 310 | 532 44 66-36 | Bracket Hangbar Bag LH |
| 171 | 532 44 12-89 | Extension Bagger Full | 311 | 532 44 66-37 | Bracket Hangbar Bag RH |
| 175 | 532 19 63-04 | Crossmember | 319 | 532 17 46-62 | Bracket Actuator Bagger CRD SV |
| 176 | 532 40 07-76 | Screw 10-24 x 5/8 | 335 | 532 44 82-04 | Cover RH Lower Close Out |
| 177 | 532 19 52-27 | Bushing Steering | 336 | 532 44 53-09 | Cover LH Lower Close Out |
| 178 | 532 19 97-82 | Cargo Asm. Net | 338 | 532 43 66-40 | Bolt Shoulder |
| 179 | 532 16 89-37 | Nut Push | 339 | 532 44 12-88 | Lever Bagger Full |
| 180 | 532 43 54-72 | Chassis | 340 | 532 44 09-31 | Door Pnt Battery tray Tex CRD |
| 182 | 532 43 89-67 | Dash Lower | 341 | 532 43 66-38 | Latch Battery Door Tex CRD |
| 183 | 874 52 05-20 | Bolt 5/16-18 x 1-1/4 | 342 | 532 43 59-38 | Supprt Fender |
| 189 | 817 00 05-12 | Screw 5/16-18 x 3/4 | 343 | 532 44 07-49 | Clip |
| 191 | 532 43 74-55 | Insert Reflective RH | 344 | 532 43 89-70 | Control EZ Mulch |
| 194 | 873 90 05-00 | Nut Lock Hex Flange 5/16-18 | 345 | 532 44 06-39 | Knob |
| 195 | 532 40 41-37 | Plug Hole Dash Lower | 350 | 532 44 51-43 | Clip X-mas Tree |
| 199 | 532 41 87-39 | Plate Deck Lift | | | |
| 202 | 532 43 97-28 | Vent Side Hood RH | | | |
| 203 | 532 43 97-27 | Vent Side Hood LH | | | |
| 204 | 532 43 57-15 | Vent Top Hood | | | |
| 205 | 532 43 97-30 | Skirt Hood Side RH | | | |

NOTE: All component dimensions given in U.S. inches
1 inch = 25.4 mm

TRACTOR - MODEL NO. CTH163T (96051001700), PRODUCT NO. 96051 00-17
DRIVE 40

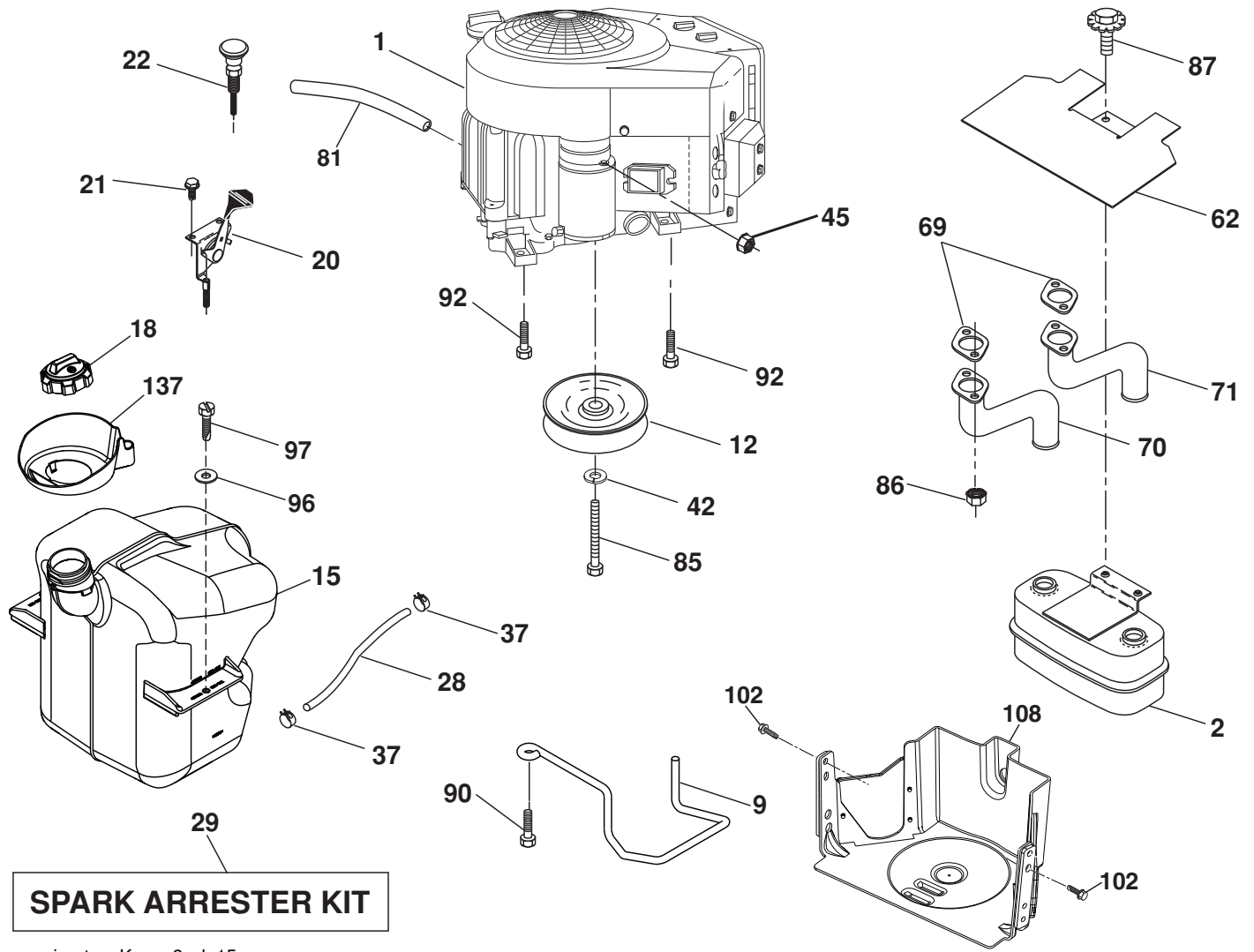


**TRACTOR - MODEL NO. CTH163T (96051001700), PRODUCT NO. 960 51 00-17
DRIVE **40****

| KEY NO. | PART NO. | DESCRIPTION | KEY NO. | PART NO. | DESCRIPTION |
|---------|--------------|---|---------|--------------|---------------------------------|
| 1 | --- | Transaxle, TUFFTORQ K46DF (446488) (Order parts from transaxle manufacturer.) | 189 | 532 43 36-11 | Bellcrank Ground Drive |
| 2 | 532 12 35-83 | Key Square | 195 | 532 43 58-65 | Bracket Rod Brake CRD Tex |
| 6 | 532 12 40-28 | Bushing Snap | 203 | 819 11 11-16 | Washer 11/32 x 11/16 x 16 Ga. |
| 17 | 532 43 62-27 | Spring Brake K46 | 205 | 532 12 17-48 | Washer 25/32 x 1-5/8 x 16 Ga. |
| 26 | 532 19 96-79 | Spring Return Cruise | 206 | 532 19 78-67 | Bracket Mount Latch Cruise |
| 29 | 532 43 58-81 | Rod, Brake | 207 | 532 19 78-68 | Latch Control Cruise |
| 30 | 819 13 16-16 | Washer | 208 | 532 19 78-69 | Gear Sector Control Cruise |
| 33 | 812 00 00-01 | Ring E | 209 | 532 19 95-92 | Rod Control Cruise |
| 35 | 583 86 45-01 | Rod, Brake, Park | 210 | 532 40 09-80 | Rocker Asm. Pedal Control |
| 37 | 532 12 17-49 | Washer 25/32 x 1-5/8 x 16 Ga. | 211 | 532 12 01-83 | Bearing Nylon |
| 38 | 532 16 96-13 | Nyliner Snap In | 213 | 532 40 31-19 | Knob Control Cruise |
| 42 | 532 12 48-72 | Cover, Foot Pedal | 214 | 532 42 12-63 | Pedal Forward |
| 49 | 872 11 06-14 | Bolt 3/8-16 unc | 215 | 532 41 94-82 | Pedal Reverse |
| 50 | 532 19 43-27 | Idler Flat | 221 | 532 40 31-87 | Retainer Spring Clip Handle |
| 51 | 873 90 06-00 | Lock Nut 3/8-16 | 222 | 879 21 20-10 | Washer 21/32 x 1-1/4 10 Ga. |
| 52 | 532 19 43-26 | Idler V-Groove | 226 | 532 40 15-64 | Bracket Strap Torque |
| 56 | 532 44 18-34 | V-Belt, Drive | 227 | 817 49 05-12 | Screw Thdrol 5/16-18 x 3/4 |
| 61 | 532 43 77-88 | Pulley Transaxle K46 | 279 | 532 44 42-83 | Sub Asm. Link |
| 64 | 532 19 78-65 | Shaft Asm. Pedal Brake Control | 280 | 819 11 10-12 | Washer 11/32 x 5/8 x 12 Ga. |
| 73 | 874 49 05-56 | Bolt Hex 5/16-18 x 3.75 | 309 | 532 16 55-81 | Plate Fstnr Cross Shf |
| 90 | 532 44 36-05 | Keeper Belt Clutching | 311 | 532 16 98-45 | Washer Nylon |
| 92 | 874 76 05-20 | Bolt Fin Hex 5/16-18 unc x 1.25 | 312 | 532 16 56-14 | Hub Tapered |
| 99 | 532 44 39-47 | Rod Spring Bypass | 313 | 874 78 04-16 | Bolt Hex Fin 1/4-20 unc x 1 Gd5 |
| 103 | 873 50 05-00 | Nut Hex Jam 5/16-18 unc | 314 | 532 44 47-13 | Retainer Belt |
| 116 | 873 90 05-00 | Nut Lock Hex Flange 5/16-18 | 315 | 817 58 05-20 | Screw Thdrol 5/16-18 x 4.25 |
| 125 | 817 00 05-12 | Screw 5/16-18 x 3/4 | 319 | 532 43 67-94 | Spacer Transaxle Tex CRD |
| 140 | 810 04 04-00 | Washer Lock Hvy Helical 1/4 | 320 | 532 18 76-90 | Washer Spacer |
| 143 | 817 49 05-08 | Screw 5/16-18 x 1/2 | 335 | 532 19 95-34 | Pulley-V-Idler.Grnd.Dr.Plated |
| 159 | 876 02 04-12 | Pin Cotter 1/8 x 3/4 | 339 | 532 43 68-67 | Strap Torque K46 CRD Tex |
| 160 | 532 16 94-84 | Retainer Clip | 351 | 532 43 69-98 | Bracket 97 CRD Deck Sway |
| 161 | 532 10 57-09 | Spring, Return, Clutch | 352 | 532 43 58-19 | Bracket Idler |
| 163 | 532 43 66-32 | Rod Control | 353 | 532 43 65-77 | Bracket Idler RH |
| 166 | 532 42 91-64 | Nut Push | 355 | 532 43 56-69 | Bracket |
| 167 | 532 40 52-57 | Latch Brake Parking | 360 | 532 44 47-14 | Nut Hex |
| 175 | 532 42 93-59 | Shaft Asm. Shift | 362 | 532 43 68-12 | Idler Flat |
| 183 | 532 13 70-57 | Spacer Axle | 364 | 532 44 30-32 | Bracket Idler |
| 184 | 532 44 14-55 | Handle Parking Brake | | | |
| 185 | 872 11 06-22 | Bolt 3/8-16 unc x 2-3/4 | | | |
| 186 | 532 19 43-21 | Spacer Retainer | | | |
| 188 | 532 19 43-23 | Link Clutch | | | |

* Parts supplied by manufacturer

NOTE: All component dimensions given in U.S. inches
1 inch = 25.4 mm



SPARK ARRESTER KIT

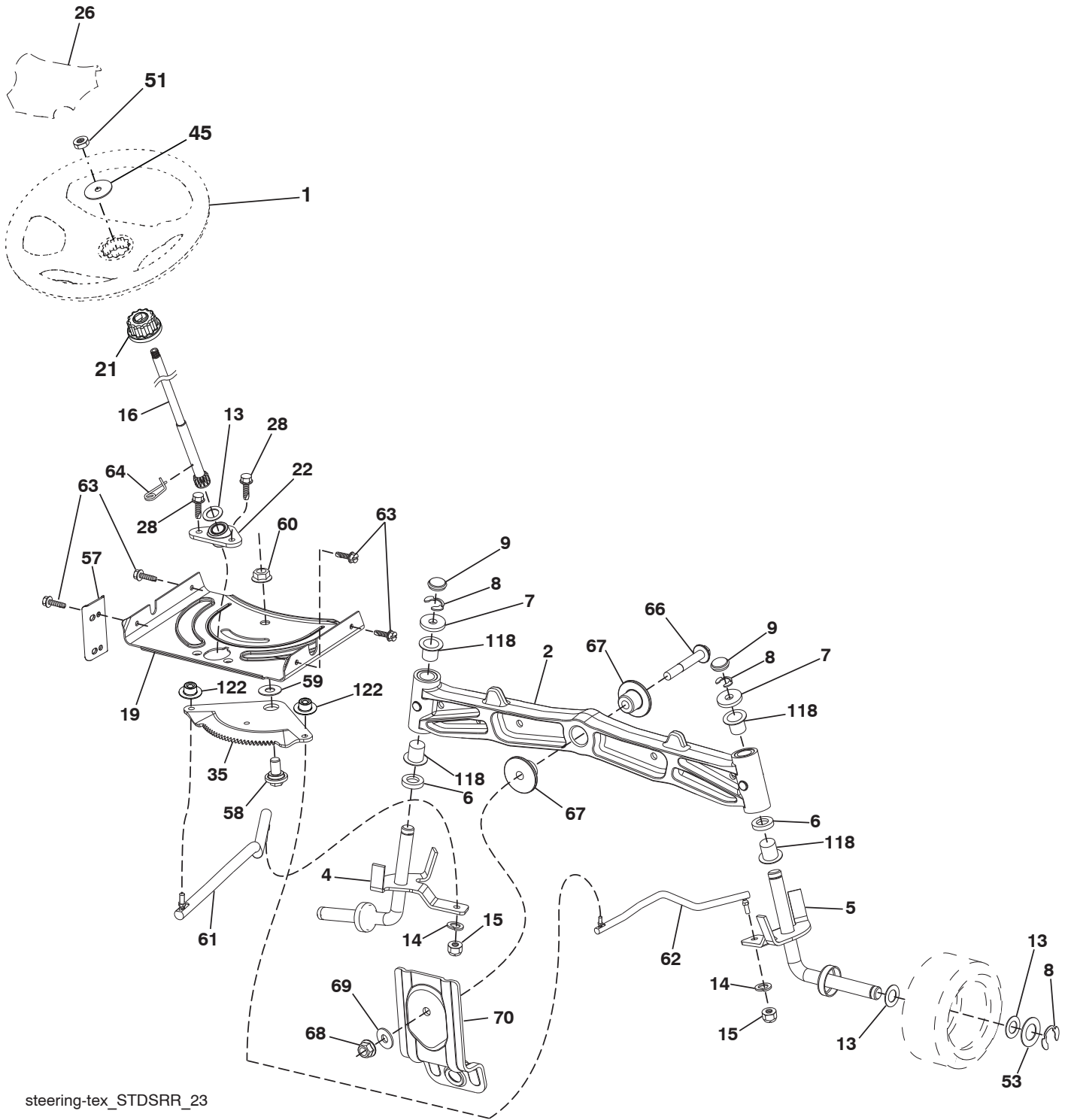
engine-tex_Kawa-2cyl_15

**TRACTOR - MODEL NO. CTH163T (96051001700), PRODUCT NO. 960 51 00-17
ENGINE 24**

| KEY NO. | PART NO. | DESCRIPTION |
|----------------|-----------------|--|
| 1 | ----- | Engine Kawasaki Model No. FS481V-AS53 (437949) (Order parts from engine manufacturer.) |
| 2 | 532 44 59-62 | Muffler |
| 9 | 532 19 43-20 | Keeper Belt Engine |
| 12 | 532 40 54-71 | Pulley Engine |
| 15 | 532 43 58-16 | Tank Fuel |
| 18 | 532 44 14-62 | Fuel Cap |
| 20 | 532 41 21-65 | Control Throttle |
| 21 | 532 41 63-58 | Screw # 10 x 0.750 |
| 22 | 532 18 95-41 | Control Choke |
| 28 | 532 13 70-40 | Fuel Line |
| 29 | 532 13 71-80 | Spark Arrester Kit |
| 37 | 532 12 34-87 | Clamp Hose |
| 42 | 810 04 07-00 | Washer Lock 7/16 |
| 45 | 873 51 04-00 | Nut Keps Hex 1/4-20 unc |
| 62 | 532 43 40-17 | Shield Heat Muffler |
| 69 | 532 17 81-51 | Gasket |
| 70 | 532 42 47-65 | Tube Exhaust LH |
| 71 | 532 42 47-66 | Tube Exhaust RH |
| 81 | 532 14 84-56 | Tube Drain Oil Easy |
| 85 | 532 17 39-37 | Bolt Hex 7/16-20 x 4 x Gr. 5-1.5 Thr |
| 86 | 532 18 43-62 | Nut Hex Flange Toplock M8-1.25 |
| 87 | 537 17 18-77 | Bolt 5/16-18 unc x 3/4 w/Sems |
| 90 | 817 00 06-16 | Screw 3/8-16 x 1 |
| 92 | 817 12 06-16 | Screw 3/8-16 x 1 |
| 96 | 819 09 14-16 | Washer 9/32 x 7/8 x 16 Ga. |
| 97 | 817 67 04-12 | Screw 1/4-20 x 3/4 |
| 102 | 817 06 05-16 | Screw 5/16-18 x 1 |
| 108 | 532 42 30-41 | Cover Pulley Engine |
| 137 | 532 44 14-61 | Spill Cup |

NOTE: All component dimensions given in U.S. inches
1 inch = 25.4 mm

TRACTOR - MODEL NO. CTH163T (96051001700), PRODUCT NO. 96051 00-17
STEERING ASSEMBLY 41



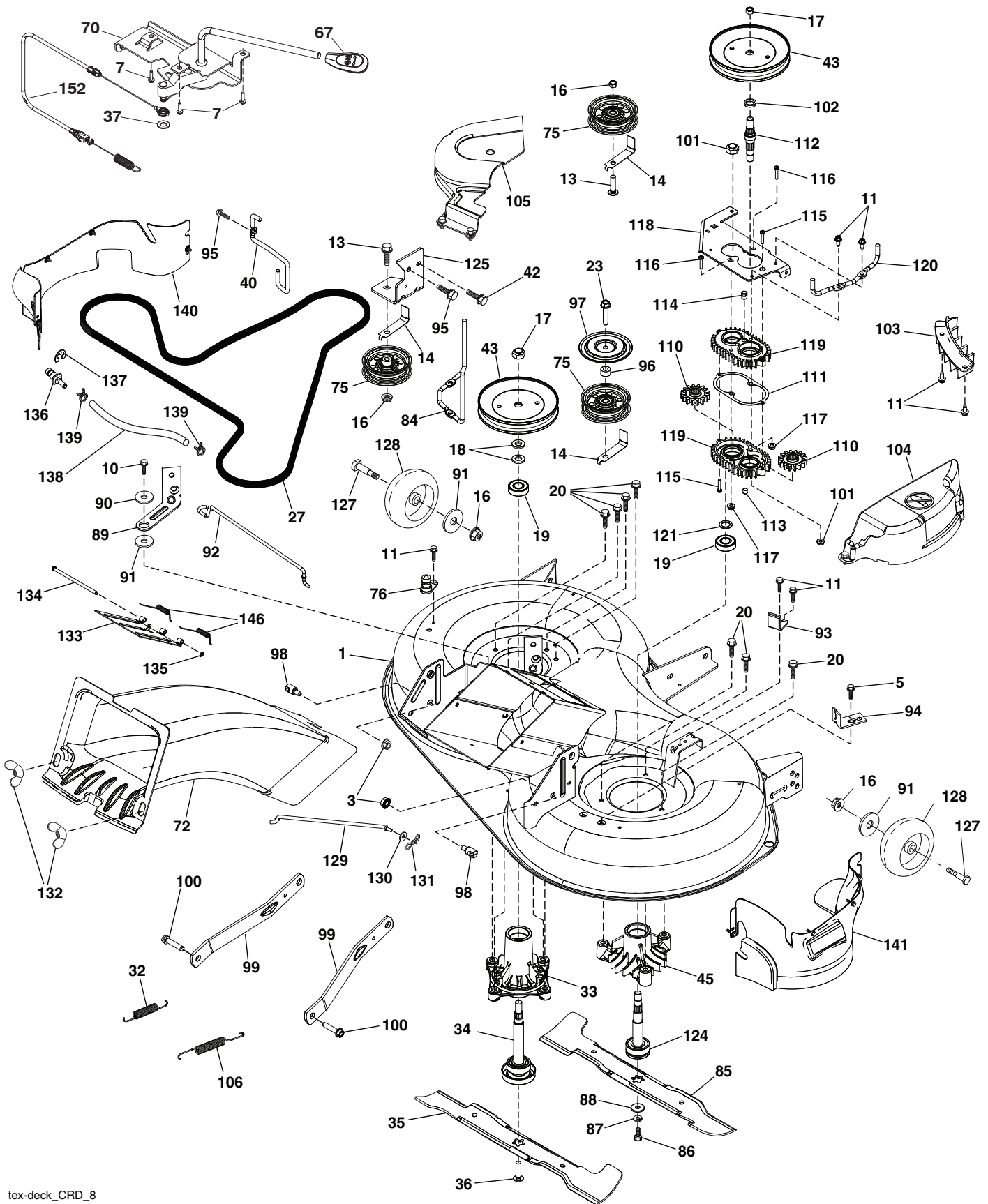
steering-tex_STDSRR_23

**TRACTOR - MODEL NO. CTH163T (96051001700), PRODUCT NO. 960 51 00-17
STEERING ASSEMBLY **41****

| KEY NO. | PART NO. | DESCRIPTION |
|----------------|-----------------|-------------------------------------|
| 1 | 532 43 97-40 | Wheel, Steering |
| 2 | 532 41 35-91 | Axle Cast Iron |
| 4 | 532 40 30-87 | Spindle Asm., LH |
| 5 | 532 40 30-88 | Spindle Asm., RH |
| 6 | 532 12 49-31 | Washer, Thrust |
| 7 | 532 12 17-48 | Washer 25/32 x 1-5/8 x 16 Ga. |
| 8 | 812 00 00-29 | Ring, Klip #T5304-75 |
| 9 | 532 12 12-32 | Cap, Spindle |
| 13 | 532 12 17-49 | Washer 25/32 x 1-1/4 x 16 Ga. |
| 14 | 810 04 06-00 | Washer, Lock Hvy Hlcl Spr 3/8 |
| 15 | 873 54 06-00 | Nut, Crown Lock 3/8-24 unf |
| 16 | 532 19 47-46 | Shaft Steering |
| 19 | 532 19 47-29 | Plate Steering |
| 21 | 532 18 67-37 | Adapter, Wheel Steering |
| 22 | 532 42 05-37 | Steering Support |
| 26 | 532 43 97-43 | Insert, Wheel Steering |
| 28 | 817 00 06-12 | Screw 3/8-16 x 3/4 |
| 35 | 532 19 47-32 | Gear, Sector Plate |
| 45 | 819 18 38-12 | Washer 9/16 ID x 2-3/8 OD 12 Ga. |
| 51 | 873 94 08-00 | Nut Hex Jam Toplock 1/2-20 unf |
| 53 | 532 18 89-67 | Washer Hardened .793 x 1.637 x .060 |
| 57 | 532 40 74-65 | Bracket Upstop |
| 58 | 532 19 47-47 | Bolt Shoulder Sector Pivot CFM |
| 59 | 532 19 47-48 | Washer Thrust Sector Steering |
| 60 | 873 97 10-00 | Nut Flange Lock 5/8-11 |
| 61 | 532 19 47-40 | Draglink, LH |
| 62 | 532 19 47-41 | Draglink, RH |
| 63 | 817 00 05-12 | Screw 5/16-18 x 3/4 |
| 64 | 532 19 98-49 | Retainer Clip Spring Steering |
| 66 | 871 02 07-48 | Bolt Hex Fghd 7/16-14 x 3 Serr |
| 67 | 532 19 47-37 | Bushing PM Front Axle |
| 68 | 873 90 07-00 | Nut Lock Flange 7/16-14 Gr. 5 |
| 69 | 532 19 91-62 | Washer 1.5 x .505 x .118 |
| 70 | 532 19 61-97 | Bracket Deck Susp. Front |
| 118 | 532 40 60-13 | Bushing Axle |
| 122 | 532 44 49-62 | Cap Gear |

NOTE: All component dimensions given in U.S. inches
1 inch = 25.4 mm

TRACTOR - MODEL NO. CTH163T (96051001700), PRODUCT NO. 96051 00-17
MOWER DECK 44



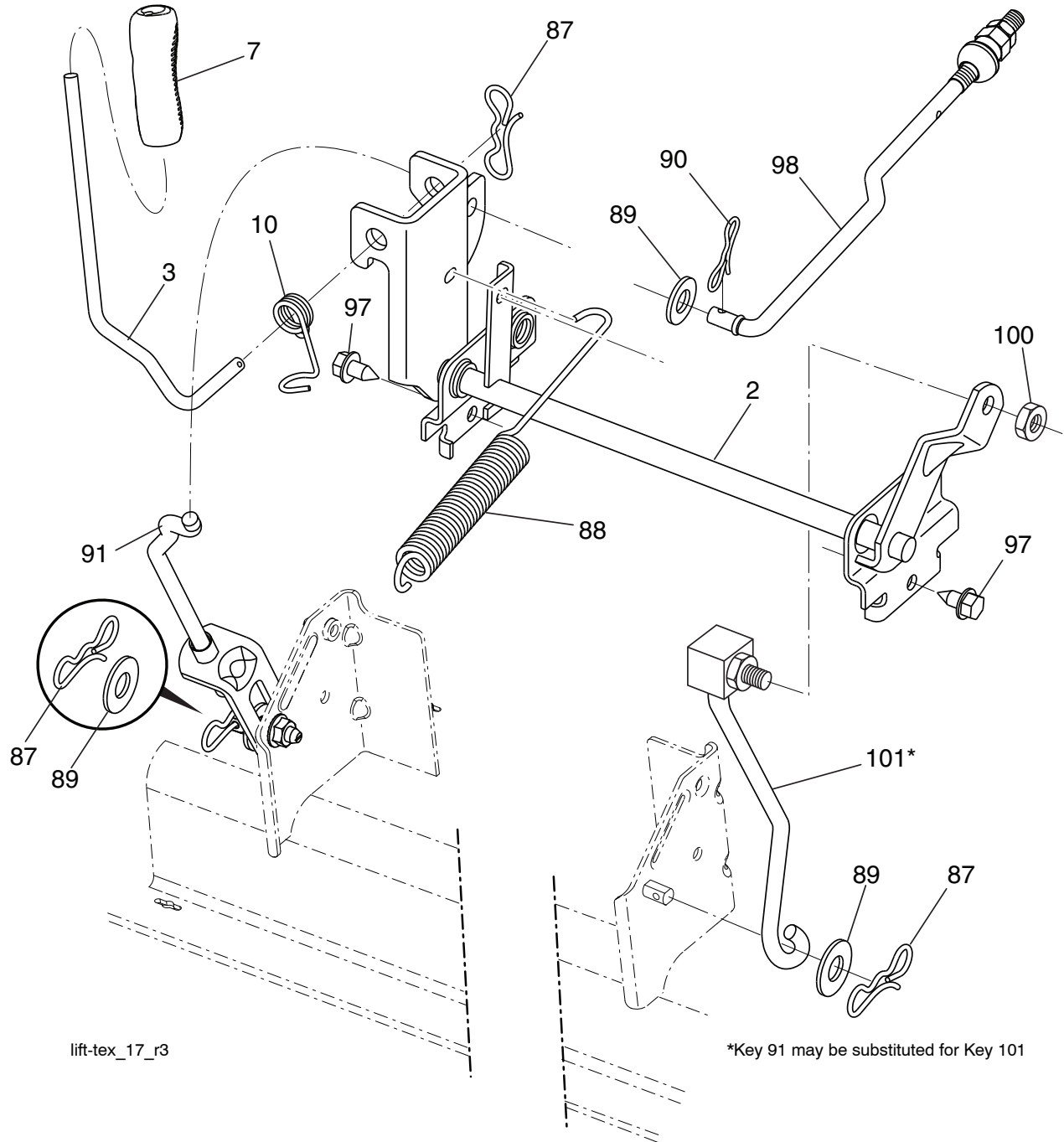
tex-deck_CRD_8

TRACTOR - MODEL NO. CTH163T (96051001700), PRODUCT NO. 960 51 00-17
MOWER DECK 44

| KEY NO. | PART NO. | DESCRIPTION | KEY NO. | PART NO. | DESCRIPTION |
|---------|--------------|---------------------------------------|---------|--------------|---|
| 1 | 532 44 13-40 | Deck Weldment | 101 | 873 68 09-00 | Nut Crownlock 9/16 - 18 unc |
| 3 | 873 90 05-00 | Nut Lock Hex Flange 5/16 - 18 | 102 | 532 40 25-11 | Spacer Bearing Swing Plate |
| 5 | 817 00 05-10 | Bolt 5/16-18 | 103 | 532 43 69-92 | Guard Front Vent |
| 7 | 532 41 63-58 | Screw #10 x 0.750 BOS Thread | 104 | 532 44 14-79 | Mandrel Cover RH |
| 10 | 817 00 06-16 | Screw 3/8-16x1 smgml tap | 105 | 532 44 14-78 | Mandrel Cover LH |
| 11 | 532 13 77-29 | Screw Thd Roll 1/4 - 20 X 5/8 | 106 | 532 19 32-16 | Spring Brake Return |
| 13 | 872 11 06-12 | Bolt Carr Sh 3/8 - 16 X 1 - 1/2 Gr. 5 | 110 | 532 41 53-56 | Gear Output |
| 14 | 532 15 60-85 | Keeper Belt Idler | 111 | 532 43 69-79 | Gasket Gearcase |
| 16 | 873 90 06-00 | Nut Lock FIG 3/8 - 16 unc | 112 | 532 44 38-52 | Shaft Gearcase |
| 17 | 532 40 02-34 | Nut Flange Lock Top | 113 | 532 43 85-33 | Plug Oil |
| 18 | 532 18 76-90 | Washer Spacer Mandrel | 114 | 532 43 85-34 | Valve Relief |
| 19 | 532 11 04-85 | Bearing Ball Mandrel | 115 | 818 03 10-16 | Screw Torx #10-24 x 1 |
| 20 | 532 17 39-84 | Screw Thread Roll | 116 | 872 11 04-14 | Bolt 1/4-20 x 1.75 Gr. 5 |
| 23 | 817 49 06-28 | Screw Thdrol 3/8 - 16 X 1-3/4 | 117 | 873 90 04-00 | Nut Hex Flange 1/4-20 unc |
| 27 | 532 43 97-26 | V-Belt Drive | 118 | 532 43 69-89 | Arm Clutching |
| 32 | 532 40 18-72 | Spring Return Deck | 119 | 532 43 81-66 | Gearcase Subasm |
| 33 | 532 18 72-81 | Housing Mandrel 4pt Service | 120 | 532 43 69-91 | Keeper Belt RH |
| 34 | 532 19 28-72 | Shaft Asm Mndrl N/Greaseable38 | 121 | 532 43 69-85 | Washer |
| 35 | 532 42 79-84 | Blade Mower LH | 124 | 532 43 69-86 | Non Greasable Mandrel Shaft |
| 36 | 532 19 30-03 | Bolt/Washer Asm 7/16 - 20 unf | 125 | 532 44 04-20 | Bracket Idler Chasses |
| 37 | 819 13 13-16 | Washer 13/32 x 13/16 x 16 Ga. | 127 | 532 19 34-06 | Bolt Shoulder 3/8-16 x 3-5/8 Gr. 5 |
| 40 | 532 19 72-58 | Keeper Belt Engine LH | 128 | 532 17 48-73 | Wheel Gauge |
| 42 | 817 00 05-12 | Screw 5/16-18 x 3/4 | 129 | 532 40 48-51 | Rod Anti-Sway |
| 43 | 532 19 74-73 | Pulley Mandrel | 130 | 819 13 13-12 | Washer 13/32 x 13/16 x 12 Ga. |
| 45 | 532 13 71-52 | Housing Mandrel | 131 | 532 19 42-08 | Pin Cotter 5/16 Bow Tie Lock |
| 67 | 532 44 14-77 | Handle Clutch Cable | 132 | 532 17 88-99 | Knob Handle |
| 70 | 532 19 99-72 | Clutch Asm Manual LT Pred | 133 | 532 43 55-38 | Door Mulch |
| 72 | 532 44 68-10 | Chute Upper | 134 | 532 43 58-61 | Pin Hinge |
| 75 | 532 13 14-94 | Pulley Idler Flat | 135 | 532 43 79-88 | E-Ring 5/16 |
| 76 | 532 43 96-40 | Washout Port | 136 | 532 43 96-39 | Washout Port Remote Hookup |
| 84 | 532 43 25-20 | Keeper Belt Mandrel | 137 | 812 00 00-29 | Ring Clip #T5304-75 |
| 85 | 532 42 79-85 | Blade Mower RH | 138 | 532 44 07-43 | Hose 3/8 Long 12" |
| 86 | 532 18 17-13 | Bolt 3/8-24 x 1.50 Gr. 8 | 139 | 532 44 07-42 | Hose 3/8 Clamp |
| 87 | 810 03 06-00 | Washer Lock Hvy 3/8 | 140 | 532 44 86-32 | Guard Asm LH |
| 88 | 532 14 02-96 | Washer Hard Blade Mower Vented | 141 | 532 44 85-29 | Guard Asm RH |
| 89 | 532 43 81-24 | Arm Brake 97 LH | 146 | 532 44 58-96 | Spring |
| 90 | 532 19 90-92 | Spacer Retainer | 152 | 532 44 05-55 | Cable Clutch Manual w/Spring |
| 91 | 819 13 20-12 | Washer 13/32 x 1-1/4 x 12 Ga. | -- | 532 19 28-70 | Mandrel Assembly (Includes Housing, Shaft Assembly, And Bearing Only - Pulley/Nut/Washer And Blade Bolt/Washers Not Included) |
| 92 | 532 43 69-93 | Rod Brake | | | |
| 93 | 532 43 81-25 | Arm Brake RH | | | |
| 94 | 532 19 72-50 | Bracket Clutch Cable | | | |
| 95 | 817 00 06-12 | Screw 3/8-16 x 3/4 | -- | 532 44 11-30 | Replacement Mower Complete |
| 96 | 532 40 02-71 | Spacer | | | |
| 97 | 532 18 20-61 | Shield Idler Mower | | | |
| 98 | 532 19 51-61 | Stud Fastener | | | |
| 99 | 532 19 51-86 | Arm Suspension Mower Rear | | | |
| 100 | 532 19 65-39 | Bolt Shoulder | | | |

NOTE: All component dimensions given in U.S. inches
1 inch = 25.4 mm

TRACTOR - MODEL NO. CTH163T (96051001700), PRODUCT NO. 96051 00-17
MOWER LIFT 45

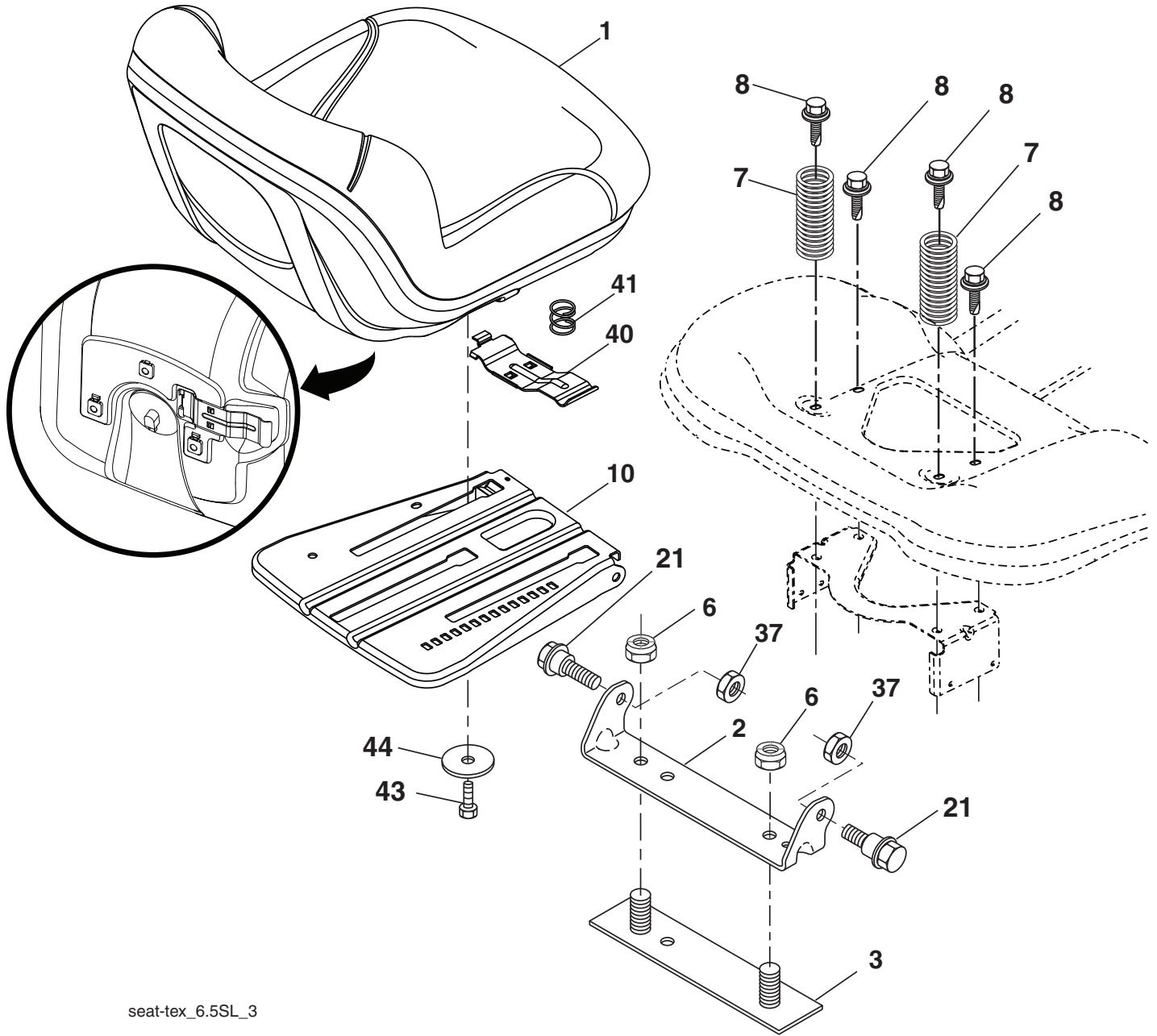


| KEY NO. | PART NO. | DESCRIPTION |
|---------|--------------|------------------------------|
| 2 | 532 43 69-96 | Deck Lift Weldment |
| 3 | 532 19 52-31 | Lever Asm., Lift RH |
| 7 | 532 41 15-55 | Grip, Lever |
| 10 | 532 19 63-14 | Spring Torsion |
| 87 | 532 19 42-09 | Pin Cotter 7/16 Bow Tie Lock |
| 88 | 532 43 69-95 | Spring Lift Assist |
| 89 | 819 19 19-12 | Washer Clear Zinc |
| 90 | 532 19 42-08 | Pin Cotter 5/16 Bow Tie Lock |
| 91 | 532 19 51-81 | Link Lift Susp Mower Rear |

| KEY NO. | PART NO. | DESCRIPTION |
|---------|--------------|-----------------------------|
| 97 | 817 49 06-08 | Screw 3/8-16 x 1/2 |
| 98 | 532 19 52-70 | Link Lift Susp. Front Mower |
| 100 | 873 93 06-00 | Nut Center Lock 3/8-16 unc |
| 101 | 532 40 70-03 | Link Asm Lift Fixed |

NOTE: All component dimensions given in U.S. inches
 1 inch = 25.4 mm

TRACTOR - MODEL NO. CTH163T (96051001700), PRODUCT NO. 960 51 00-17
SEAT ASSEMBLY 42



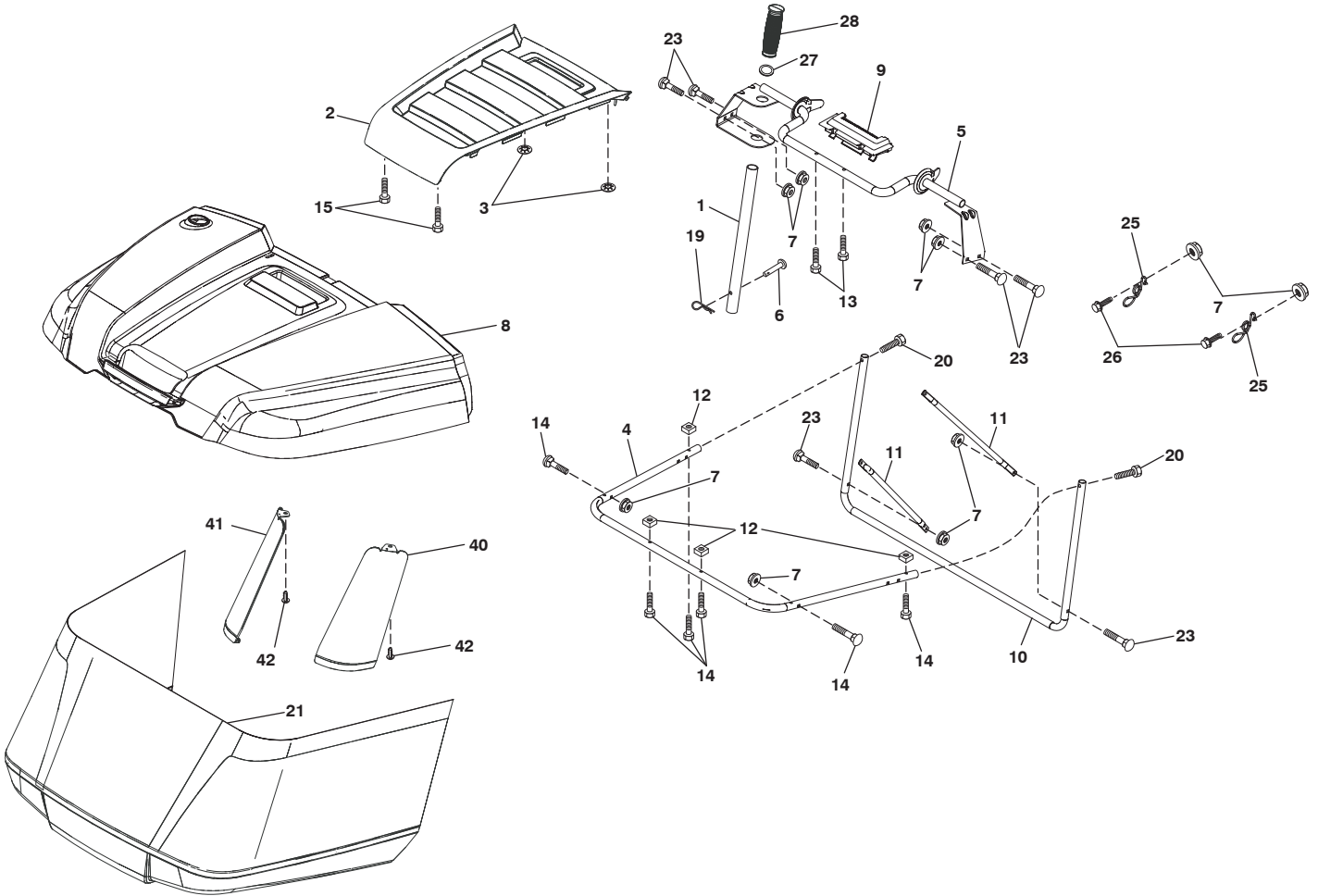
seat-tex_6.5SL_3

| KEY NO. | PART NO. | DESCRIPTION |
|---------|--------------|-------------------------------|
| 1 | 532 43 98-22 | Seat |
| 2 | 532 18 01-66 | Bracket Pivot Fender |
| 3 | 532 14 06-75 | Strap, Asm Fender |
| 6 | 873 80 06-00 | Nut, Lock w/Ins. 3/8-16 unc |
| 7 | 532 12 41-81 | Spring, Seat Cprsn |
| 8 | 532 17 18-77 | Bolt 5/16-18 unc x 3/4 w/Sems |
| 10 | 532 19 69-77 | Pan, Seat |
| 21 | 532 17 18-52 | Bolt, Shoulder 5/16-18 |

| KEY NO. | PART NO. | DESCRIPTION |
|---------|--------------|-------------------------------|
| 37 | 873 80 05-00 | Nut, Lock 5/16-18 unc |
| 40 | 532 19 76-61 | Handle Slide Seat |
| 41 | 532 19 82-00 | Spring Latch Seat |
| 43 | 874 76 06-12 | Bolt Fin Hex 3/8-16 unc x 3/4 |
| 44 | 819 13 38-12 | Washer 13/32 x 2-3/8 x 12 Ga. |

NOTE: All component dimensions given in U.S. inches
 1 inch = 25.4 mm

TRACTOR - MODEL NO. CTH163T (96051001700), PRODUCT NO. 96051 00-17
BAGGER **46**



Bagger_TEX CRD_22_r1

**TRACTOR - MODEL NO. CTH163T (96051001700), PRODUCT NO. 960 51 00-17
BAGGER 46**

| KEY NO. | PART NO. | DESCRIPTION |
|----------------|-----------------|------------------------------|
| 1 | 532 42 86-10 | Tube Handle Bagger |
| 2 | 532 44 13-58 | Applique |
| 3 | 532 41 38-08 | Nut Push |
| 4 | 532 43 96-12 | Frame Asm Bagger Top |
| 5 | 532 41 76-32 | Frame Asm Top Bagger |
| 6 | 532 12 68-75 | Rivet Drilled |
| 7 | 873 90 04-00 | Nut Hex Flange 1/4-20 unc |
| 8 | 532 43 51-65 | Cover Bagger |
| 9 | 532 41 76-29 | Insert Handle Bagger |
| 10 | 532 43 67-70 | Frame Front |
| 11 | 532 43 67-71 | Tubing Brace Bagger |
| 12 | 532 42 17-93 | Nut Square 1/4 |
| 13 | 532 42 17-80 | Screw 1/4 x 1.150 |
| 14 | 532 42 18-00 | Bolt Shoulder 1/2 x 1.150 |
| 15 | 532 42 18-01 | Screw #8 fldt |
| 19 | 532 19 42-08 | Cotter Pin 5/16 Bow Tie |
| 20 | 585 36 88-01 | Screw Hex Cap 1/4-20 x 1.375 |
| 21 | 532 43 81-62 | Bag Asm |
| 23 | 872 04 04-10 | Bolt Carr. 1/4-20 |
| 25 | 532 42 16-14 | Spring Latch Bagger |
| 26 | 817 49 04-12 | Screw 1/4-20 x 3/4 |
| 27 | 532 42 12-62 | Grommet Rubber |
| 28 | 532 16 57-87 | Grip Handle Black |
| 40 | 532 43 94-18 | Support Bagger Corner RH |
| 41 | 532 43 94-35 | Support Bagger Corner LH |
| 42 | 532 44 04-28 | Christmas Tree Clip |

NOTE: All component dimensions given in U.S. inches
1 inch = 25.4 mm

