

# **EZ24T CE**

**Spare parts**

**Ersatzteile**

**Pièces détachées**

**Reserve onderdelen**

**Repuestos**

**Reservdelar**

---

When you need spare parts or support in service questions, warranty issues, etc., please consult the following professional:

This manual belongs to the machine with the manufacturing number:	Engine	Transmission

**Manufacturing Number**

The machine’s manufacturing number is on the printed plate affixed to the engine compartment.

Stated on the plate, from the top are:

- The machine’s type designation (I.D.).
- The manufacturer’s type number (Model).
- The machine’s serial number (Serial no.)

*Please have the type designation and serial number available when ordering spare parts.*

The engine’s manufacturing number is stamped on one of the valve covers.

The plate states

- The engine’s model.
- The engine’s type.
- Code

*Please have these available when ordering spare parts.*

The wheel motors and hydrostatic pumps have a barcode decal affixed at the rear.

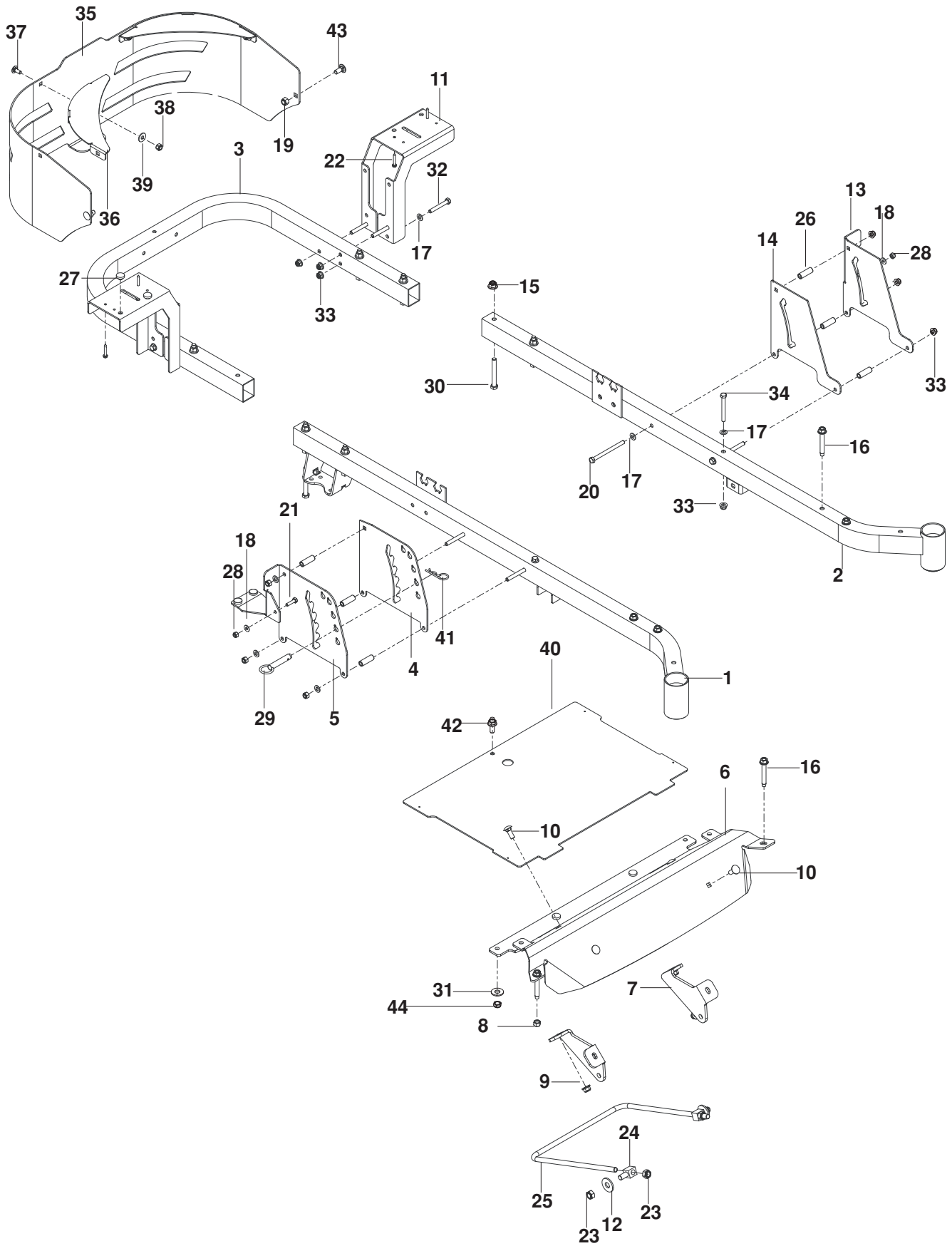
# CONTENTS

---

FRAME.....	4	HYDRAULIC PUMP / MOTOR .....	16
ENGINE PLATE.....	6	WHEELS AND TIRES.....	18
STEERING .....	8	MOWER DECK / CUTTING DECK.....	20
IGNITION.....	10	GUARDS.....	22
FUEL SYSTEM.....	12	SEAT .....	24
BRAKE / LIFT.....	14	DECALS.....	26

NOTE ALL FASTENERS ARE GRADE 5 UNLESS OTHERWISE SPECIFIED.

# FRAME

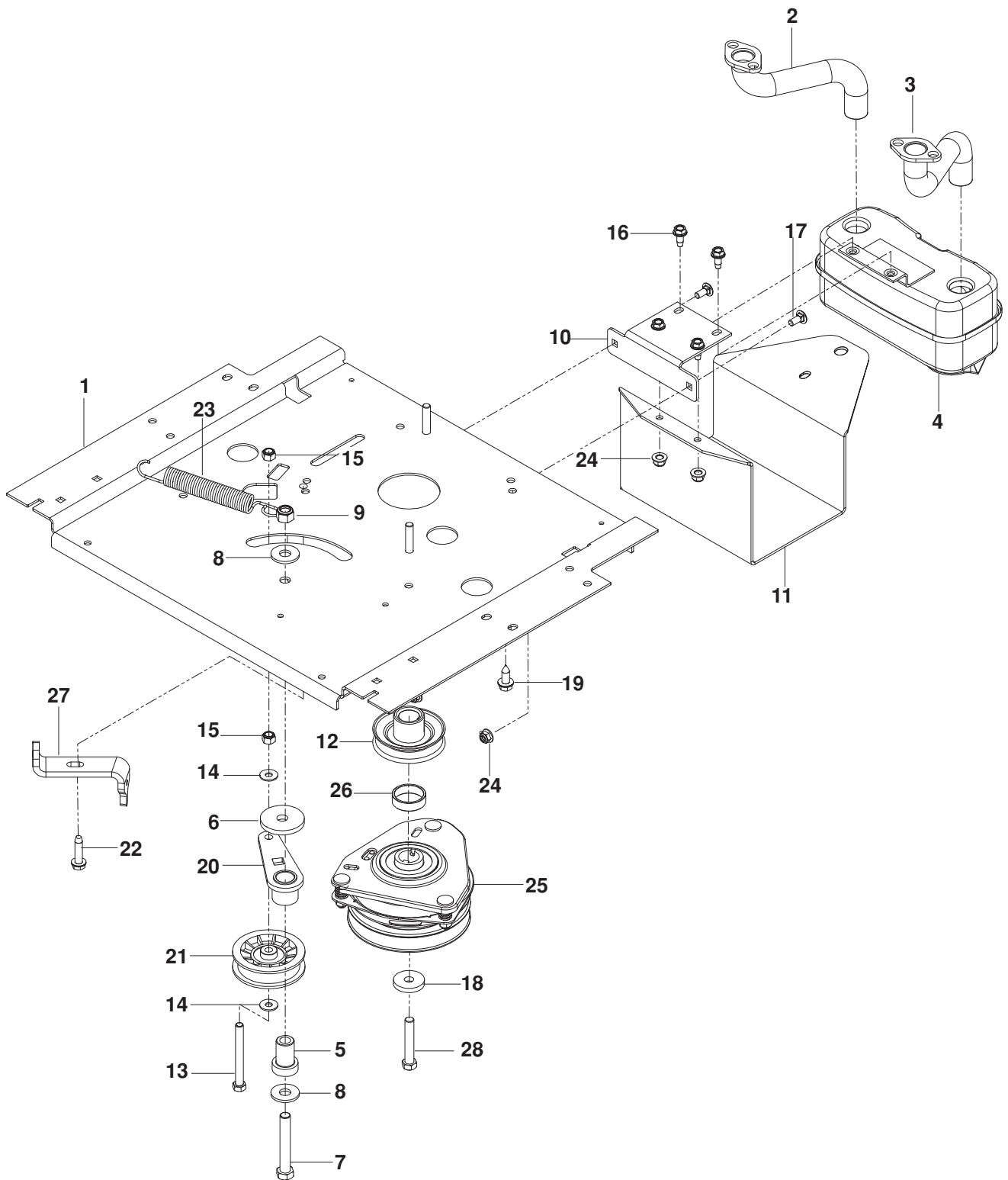


# FRAME

---

ITEM	PART NO.	QTY.	DESCRIPTION	ITEM	PART NO.	QTY.	DESCRIPTION
1..	510 177503....	1....	FRAME, FRONT RT ORG	23..	539 119124....	4....	NUT 7/16-14 HEX NYLOC
2..	510 177403....	1....	FRAME, FRONT LT ORG	24..	522 924201....	2....	SWIVEL
3..	516 001803....	1....	FRAME, REAR ORG	25..	521 938101....	1....	LINK, FRONT SUSPENSION
4..	510 245604....	1....	PLATE, OUTER HEIGHT BLK	26..	515 988101....	6....	SPACER 1/2 OD x 1 1/2
5..	510 240502....	1....	PLATE, INNER HEIGHT BLK	27..	539 102587....	6....	GROMMET, BUMPER
6..	522 719502....	1....	FOOT REST ORG	28..	539 976978....	2....	NUT 1/4-20 HEX NYLOC
7..	522 443302....	1....	MOUNT, STRUT, RT	29..	539 102526....	1....	LIFT PIN
8..	522 443304....	1....	MOUNT, STRUT, LT	30..	539 101341....	8....	HCS 3/8-16 x 3
9..	521 996501....	4....	NUT 3/8-16 HEX FLG NYLOC	31..	539 990517....	6....	WASHER 3/8 STD FLT
10..	539 990645....	4....	RHSNB 3/8-16 x 1	32..	539 976938....	8....	HCS 5/16-18 x 2 1/4
11..	510 225902....	2....	SUPPORT, FENDER BLK	33..	539 112899..	12....	NUT 5/16-18 HEX FLG NYLOC
12..	539 109554....	2....	WASHER 1/2 FLAT	34..	539 101721....	2....	HCS 5/16-18 x 2 3/4
13..	510 261802....	1....	PLATE, OUTER BRAKE BLK	35..	516 016302....	1....	GUARD, WIDE ENGINE ORG
14..	510 206703....	1....	PLATE, BRAKE LATCH BLK	36..	516 016402....	1....	SUPPORT, CORNER ORG
15..	521 996501....	8....	NUT 3/8-16 HEX FLG NYLOC	37..	539 111786....	6....	RHSSNB 1/4-20 x 5/8
16..	539 111976....	4....	BOLT 3/8-16 x 2 5/8 THD FRM	38..	539 976978....	6....	NUT 1/4-20 HEX NYLOC
17..	539 990188..	18....	WASHER 5/16 SAE FLAT	39..	539 990598....	6....	WASHER 1/4 FLAT
18..	539 990055....	2....	WASHER 1/4 FLAT SAE	40..	522 842901....	1....	FOOT PLATE w/DECALS ORG
19..	539 990717....	8....	NUT 5/16-18 HEX NYLOC	41..	539 976989....	1....	HAIRPIN
20..	539 102335....	4....	HCS 5/16-18 x 4	42..	525 464701....	1....	HHFS 5/16-18 x 3/4
21..	539 977761....	2....	HCS 1/4-20 x 1	43..	539 990316....	2....	RHSNB 5/16-18 x 3/4
22..	539 110674....	4....	SCREW 10-12 x 1 1/4 WSH HD	44..	539 200282....	6....	NUT 3/8-16 HEX JAM NYLOC

# ENGINE PLATE

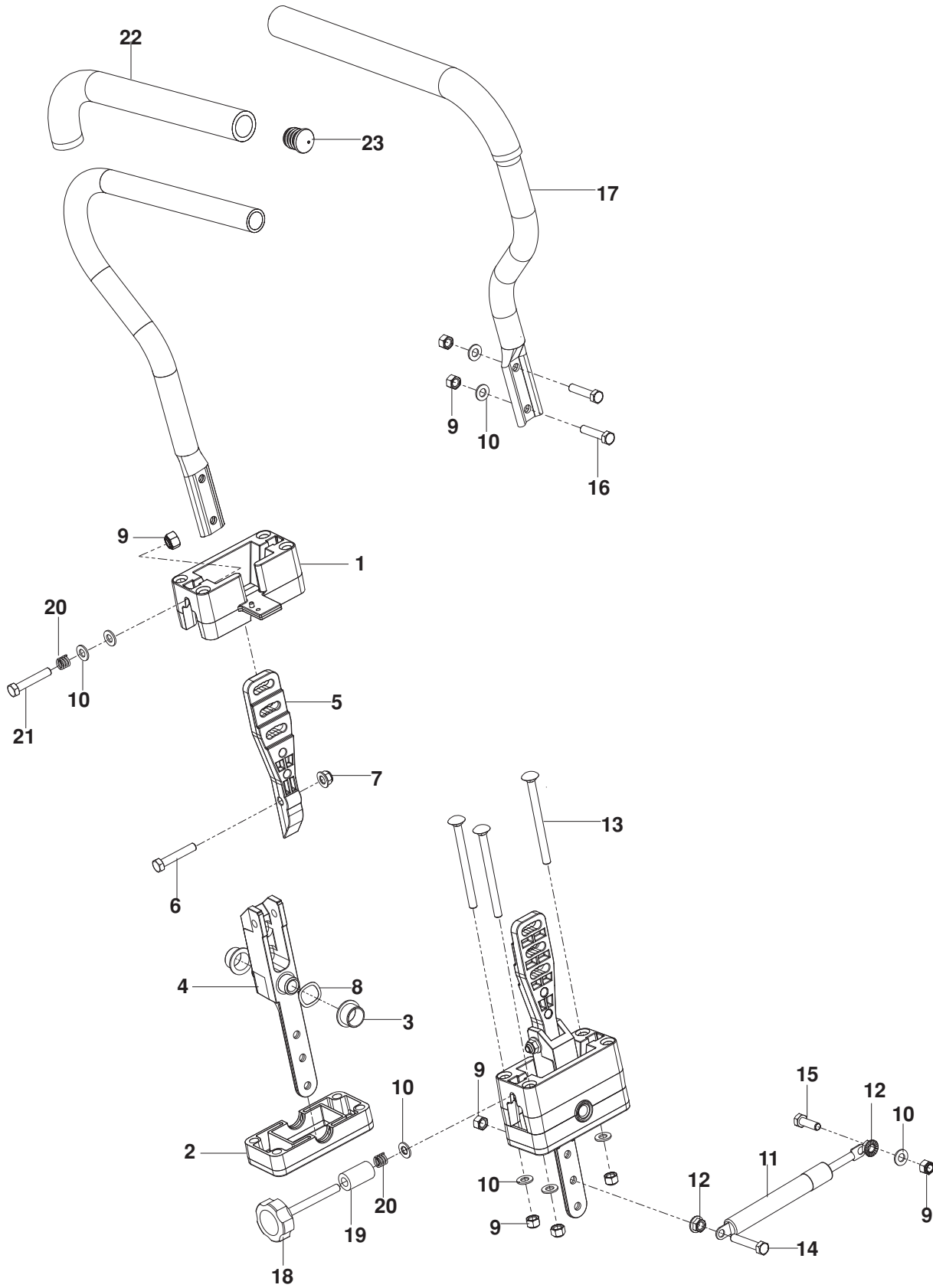


# ENGINE PLATE

---

ITEM	PART NO.	QTY.	DESCRIPTION	ITEM	PART NO.	QTY.	DESCRIPTION
1..	574 734402....	1....	PLATE, ENGINE BLK	16..	539 107475....	4....	BOLT <sup>5</sup> / <sub>16</sub> -18 x <sup>3</sup> / <sub>4</sub> THD FRM
2..	532 159955....	1....	EXHAUST TUBE, RT	17..	539 990316....	2....	RHSNB <sup>5</sup> / <sub>16</sub> -16 x <sup>3</sup> / <sub>4</sub>
3..	532 160589....	1....	EXHAUST TUBE, LT	18..	539 110064....	1....	CLUTCH WASHER
4..	539 131604....	1....	MUFFLER ASSY TWIN	19..	532 120616....	3....	HHFS <sup>3</sup> / <sub>8</sub> -16 x 1 THD FRM
5..	539 101231....	1....	SPINDLE, IDLER	20..	539 112092....	1....	ARM, IDLER
6..	539 112670....	1....	HEAVY WASHER	21..	539 110311....	1....	PULLEY, IDLER
7..	539 103433....	1....	HCS <sup>1</sup> / <sub>2</sub> -13 x <sup>3</sup> / <sub>4</sub>	22..	539 110025....	1....	BOLT <sup>3</sup> / <sub>8</sub> -18 x 1 <sup>1</sup> / <sub>2</sub> THD FRM
8..	539 109554....	2....	WASHER <sup>1</sup> / <sub>2</sub> FLAT	23..	532 196105....	1....	SPRING, DECK DRIVE
9..	539 101331....	1....	NUT <sup>1</sup> / <sub>2</sub> HEX NYLOC	24..	539 112899....	4....	NUT <sup>5</sup> / <sub>16</sub> -18 HEX FLG NYLOC
10..	510 260402....	1....	BRACKET, MUFFLER, BLK	25..	532 400008....	1....	CLUTCH, 90 FT/LB
11..	510 260502....	1....	GUARD, MUFFLER, BLK	26..	577 094601....	1....	SPACER
12..	539 114530....	1....	PULLEY, ENGINE	27..	522 459710....	1....	STOP, CLUTCH, BLK
13..	539 109389....	1....	HCS <sup>3</sup> / <sub>8</sub> -16 x 3 <sup>1</sup> / <sub>2</sub> TPBLT	28..	576 968001....	1....	HCS <sup>7</sup> / <sub>16</sub> -20 x 2 <sup>1</sup> / <sub>2</sub> GR8
14..	539 990692....	2....	WASHER <sup>5</sup> / <sub>16</sub> STD FLT				NOT SHOWN
15..	539 976979....	2....	NUT <sup>3</sup> / <sub>8</sub> -16 HEX NYLOC		532 198316....	1....	HARNESS, ADAPTOR

# STEERING



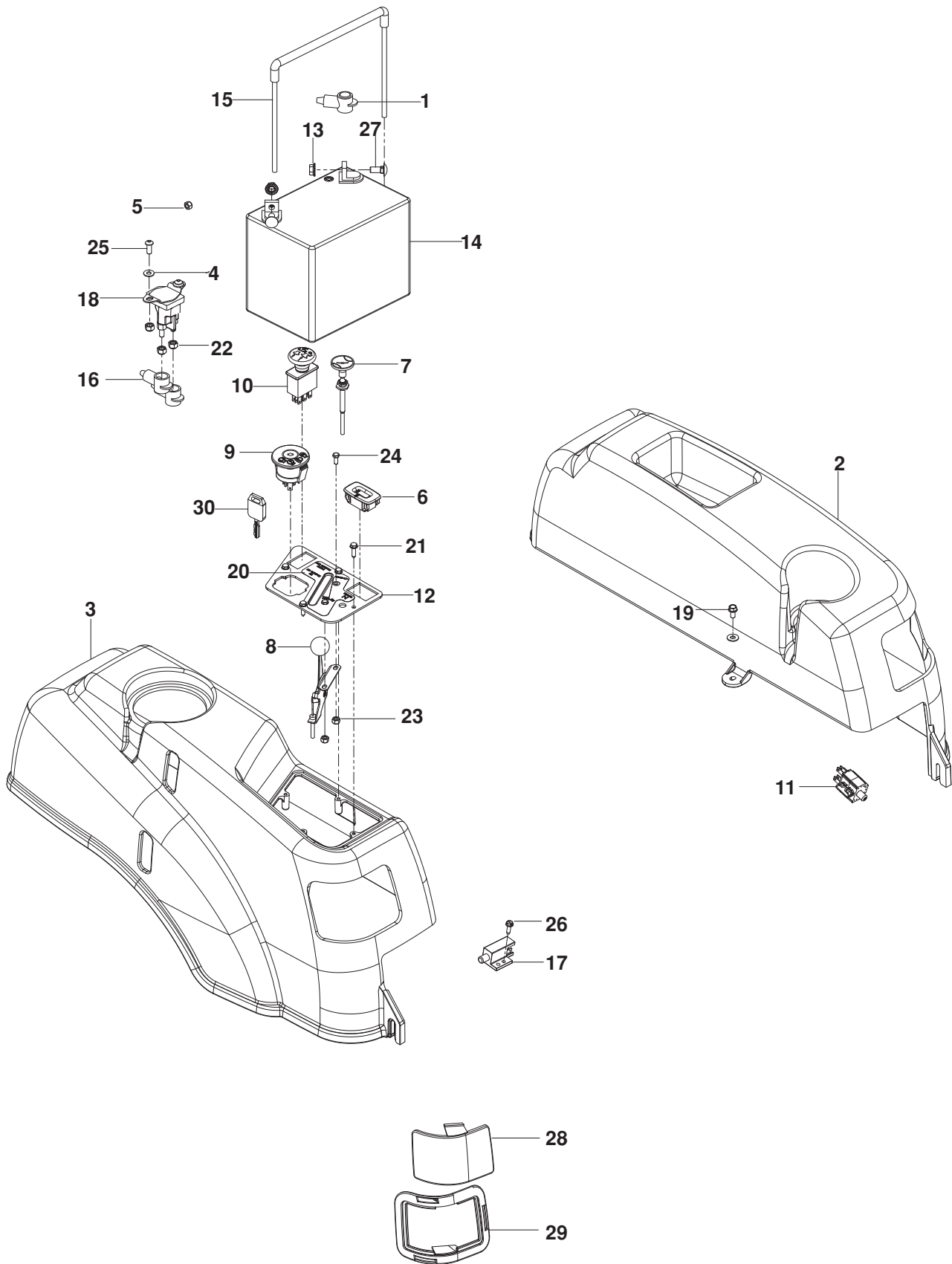


# STEERING

---

ITEM	PART NO.	QTY.	DESCRIPTION	ITEM	PART NO.	QTY.	DESCRIPTION
1..	539 131517....	2....	BLOCK, UPPER	13..	510 422601....	6....	RHSNB <sup>5</sup> / <sub>16</sub> -18 x 4
2..	539 131519....	2....	BLOCK, LOWER	14..	539 108394....	2....	HCS <sup>5</sup> / <sub>16</sub> -18 x 1 <sup>3</sup> / <sub>4</sub> TPBLT
3..	539 131518....	4....	BEARING, FLANGE	15..	539 990209....	2....	HCS <sup>5</sup> / <sub>16</sub> -18 x 1
4..	522 452901....	2....	PIVOT SECTION, DRIVE	16..	539 976935....	4....	HCS <sup>5</sup> / <sub>16</sub> -18 x 1 <sup>1</sup> / <sub>2</sub>
5..	539 131521....	2....	MOUNT, DRIVE CONTROL	17..	539 132011....	2....	LEVER w/GRIP
6..	539 990669....	2....	HCS <sup>5</sup> / <sub>16</sub> -18 x 1 <sup>3</sup> / <sub>4</sub>	18..	521 982601....	1....	KNOB
7..	539 112899....	2....	NUT <sup>5</sup> / <sub>16</sub> -18 HEX FLG NYLOC	19..	539 103543....	1....	SPACER
8..	539 133007....	2....	WASHER, .825 x 1.087 WAVE	20..	539 102845....	1....	SPRING
9..	539 990717..	14....	NUT <sup>5</sup> / <sub>16</sub> -18 HEX NYLOC	21..	539 108395....	1....	HCS <sup>5</sup> / <sub>16</sub> -18 x 2 TPBLT
10..	539 990188..	12....	WASHER <sup>5</sup> / <sub>16</sub> SAE FLAT	22..	539 122635....	2....	GRIP, FOAM
11..	539 102720....	2....	DAMPENER	23..	539 122636....	2....	PLUG, END
12..	539 990585....	4....	NUT <sup>5</sup> / <sub>16</sub> -18 HEX WHIZLK				

# IGNITION



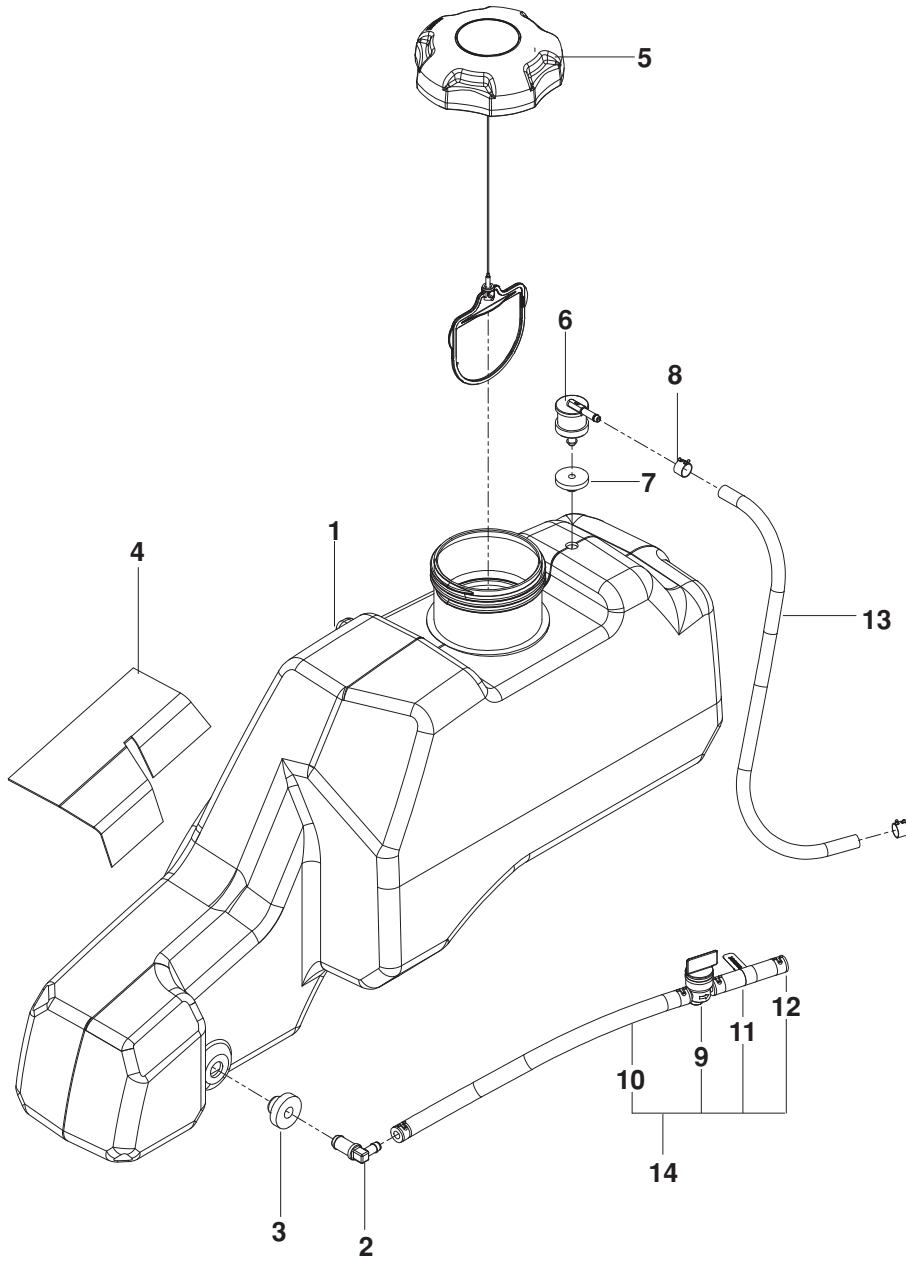
# IGNITION

---

ITEM	PART NO.	QTY.	DESCRIPTION	ITEM	PART NO.	QTY.	DESCRIPTION
1..	539 102759....	1....	INSULATOR	19..	539 108461....	2....	BOLT ¼-20 x ½ HWST
2..	539 130374....	1....	FENDER, LT, GRY	20..	576 916702....	1....	DECAL, CONSOLE
3..	576 370401....	1....	FENDER, RT, GRY	21..	539 990411....	2....	SCREW 10-24 x ½ SLT HD
4..	539 990053....	2....	WASHER ¼-20 INT TOOTH LK	22..	539 976978....	6....	NUT ¼-20 HEX NYLOC
5..	539 108120....	1....	NUT ¼-20 HEX THIN NYLOC	23..	539 976977....	2....	NUT 10-24 HEX NYLOC
6..	576 179401....	1....	HOUR METER	24..	539 110673....	4....	SCREW 10-12 x ¾ WSH HD
7..	539 112439....	1....	CONTROL, CHOKE	25..	539 111229....	2....	SCREW ¼-20 x ⅝ BTN SKT
8..	539 112734....	1....	CABLE, THROTTLE	26..	539 991034....	2....	SCREW 10-24 x ⅝ WSH HD
9..	539 107541....	1....	SWITCH, IGNITION	27..	539 990316....	2....	RHSNB ⅝-18 x ¾
10..	539 101768....	1....	SWITCH, CLUTCH	28..	539 110056....	1....	LENS, LT
11..	539 113792....	1....	SWITCH, BRAKE		539 110057....	1....	LENS, RT
12..	539 112735....	1....	PLATE, CONTROL	29..	539 110455....	1....	LENS RIM, LT
13..	539 112899....	2....	NUT ⅝-18 HEX FLG NYLOC		539 110451....	1....	LENS RIM, RT
14..	539 102436....	1....	BATTERY	30..	539 107544....	1....	KEY
15..	539 131209....	1....	TIE DOWN, BATTERY				NOT SHOWN
16..	539 116400....	3....	TERMINAL COVER		539 103306....	2....	POSITIVE CABLE, LONG
17..	539 101080....	2....	SWITCH, NC		539 110068....	1....	BATTERY CABLE NEGATIVE
18..	539 101714....	1....	SOLENOID		515 980501....	1....	HARNESS, WIRING

# FUEL SYSTEM

---

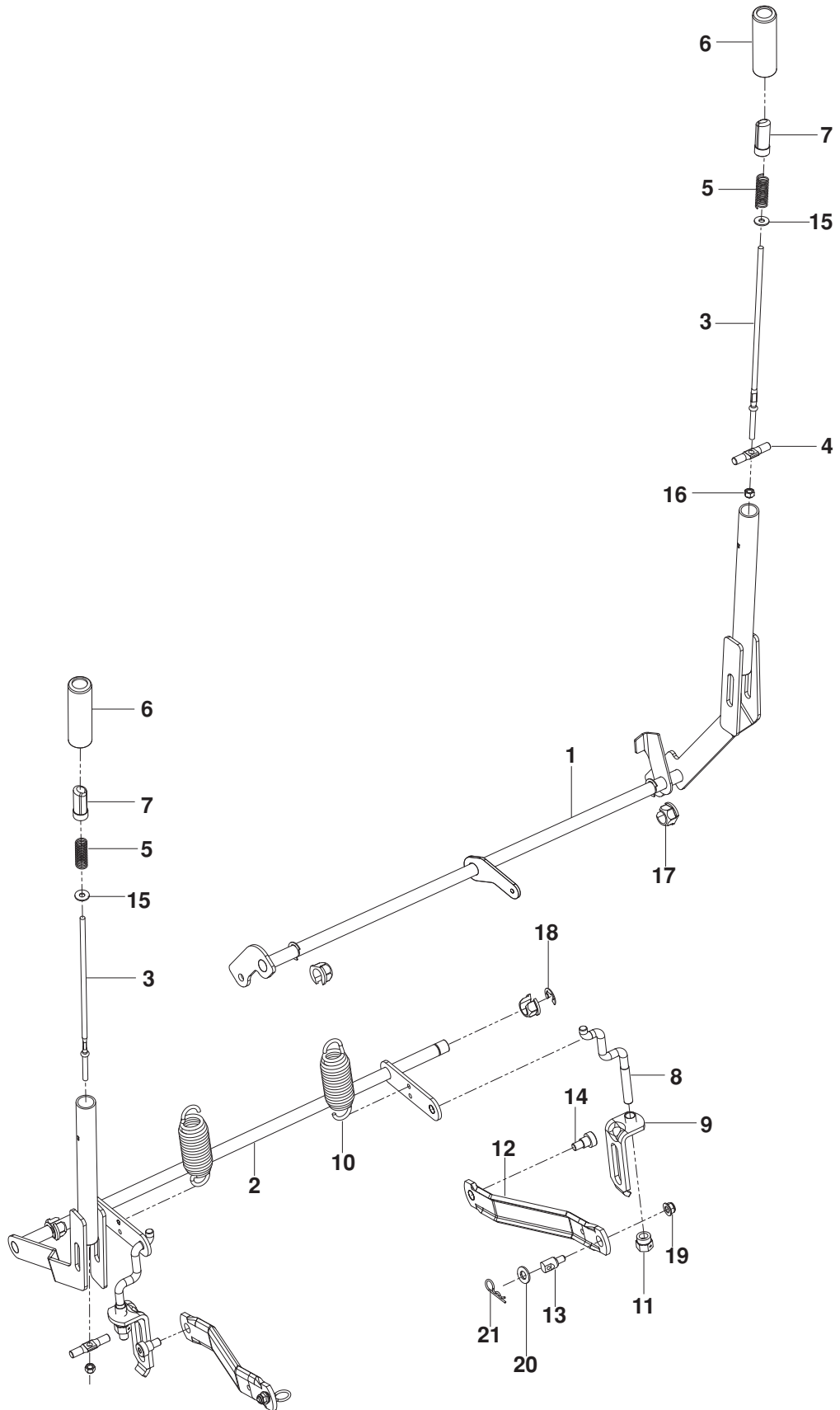


# FUEL SYSTEM

---

ITEM	PART NO.	QTY.	DESCRIPTION	ITEM	PART NO.	QTY.	DESCRIPTION
1..	576 369401....	1....	TANK, FUEL RT-EPA	8..	575 436501....	2....	CLAMP, HOSE
2..	539 110432....	1....	ELBOW, TANK	9..	539 916325....	1....	FUEL VALVE
3..	539 105245....	1....	RUBBER GROMMET	10..	539 932956....	1....	FUEL LINE, 10"
4..	522 559101....	1....	SHIELD, HEAT	11..	505 215101....	1....	FUEL LINE, 2½"
5..	575 018101....	1....	FUEL CAP, w/ TETHER	12..	539 912222....	4....	HOSE CLAMP
6..	576 618101....	1....	VALVE, FUEL CHECK	13..	574 521305....	1....	HOSE, VAPOR ¾ x 20"
7..	576 618201....	1....	GROMMET, CHECK VALVE	14..	576 660701 ...	1....	FUEL LINE ASSY

# BRAKE / LIFT

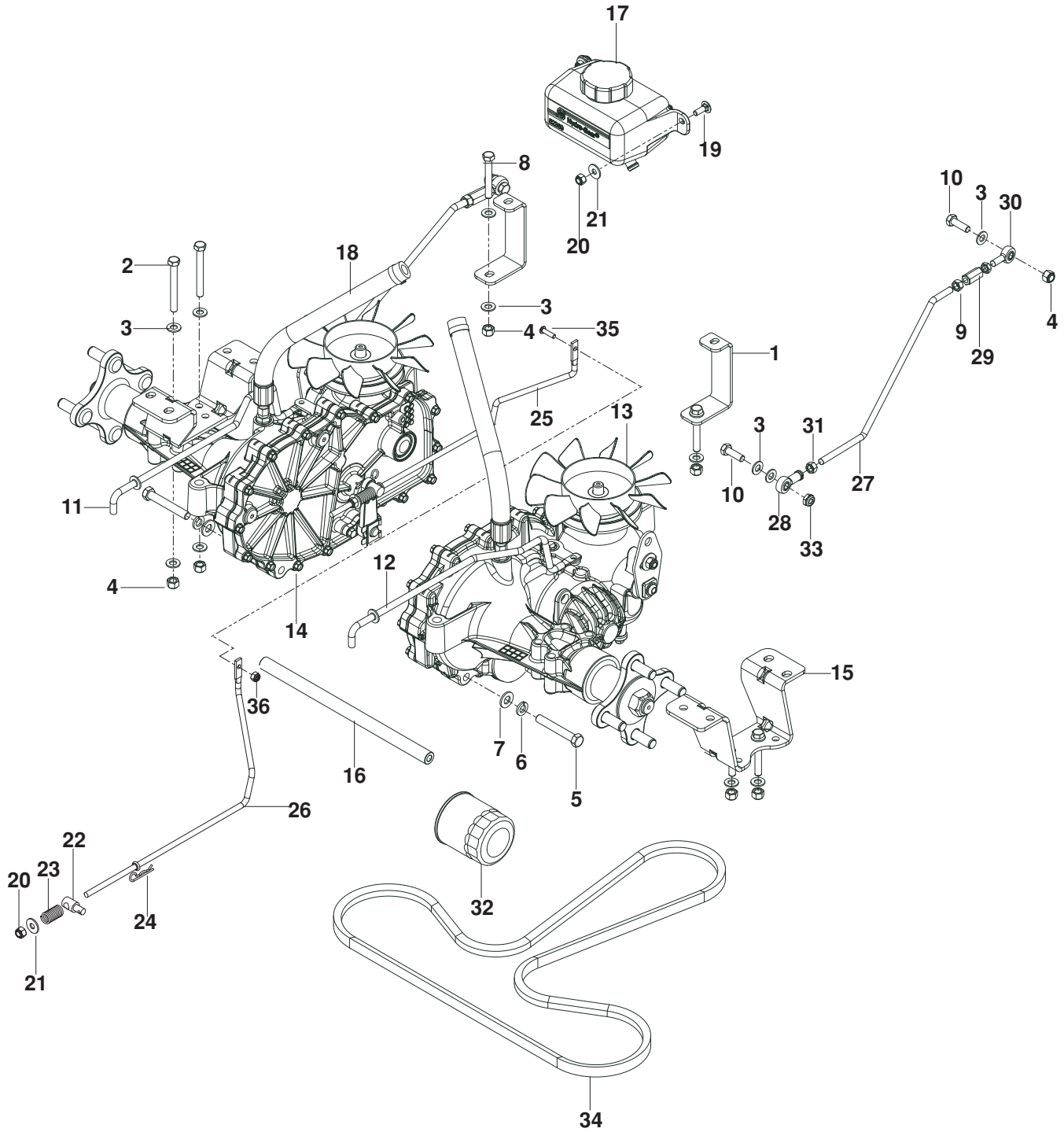


## BRAKE / LIFT

---

ITEM	PART NO.	QTY.	DESCRIPTION	ITEM	PART NO.	QTY.	DESCRIPTION
1..	522 710802....	1....	SHAFT, BRAKE	12..	532 195185....	2....	ARM, SUSPENSION RR
2..	574 216602....	1....	SHAFT, LIFT	13..	532 195161....	2....	STUD w/ANTI- ROTATE
3..	510 422901....	2....	ROD, HANDLE RELEASE	14..	539 113621....	2....	BOLT 3/8-16 x 3/8 SKT HD
4..	516 008801....	1....	ROD, LATCH RELEASE	15..	539 990598....	1....	WASHER 1/4 FLAT
5..	510 030701....	2....	SPRING, COMPRESSION	16..	539 976978....	2....	NUT 1/4-20 HEX NYLOC
6..	510 207201....	2....	GRIP, HANDLE	17..	510 184901....	4....	PLASTIC NUT
7..	510 207301....	2....	BUTTON, PUSH	18..	539 105069....	3....	E-RING
8..	525 847201....	2....	LINK, REAR SUSPENSION	19..	539 112899....	2....	NUT 5/16-18 HEX FLG NYLOC
9..	522 858601....	2....	BRACKET, CENTERING LNK	20..	539 976982....	2....	WASHER 5/8 FLAT SAE
10..	539 118762....	2....	SPRING	21..	539 976989....	2....	HAIRPIN
11..	532 175994....	2....	NUT, LIFT LINK				

# HYDRAULIC PUMP / MOTOR



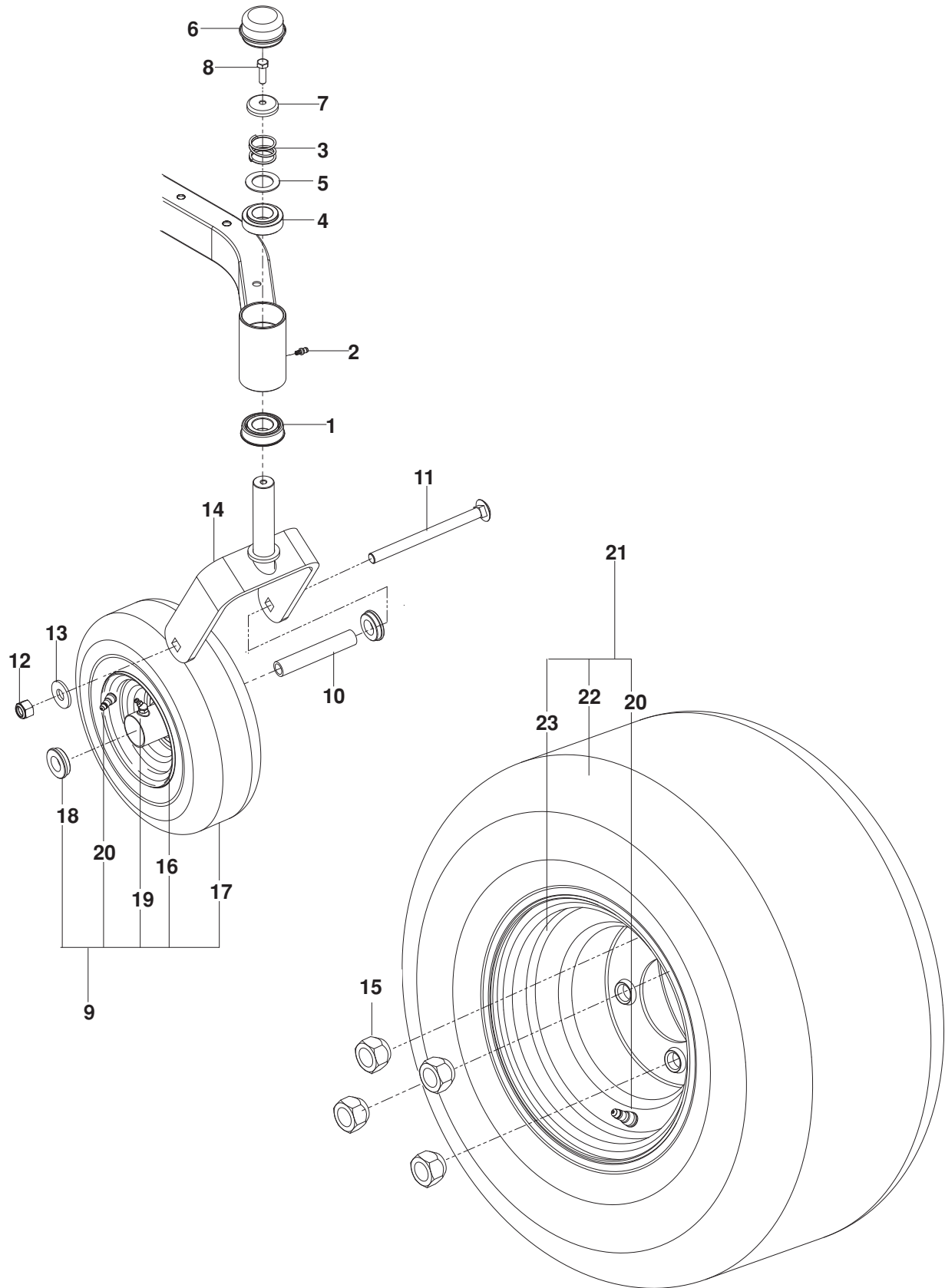


# HYDRAULIC PUMP / MOTOR

---

ITEM	PART NO.	QTY.	DESCRIPTION	ITEM	PART NO.	QTY.	DESCRIPTION
1..	522 460702....	2....	SUPPORT, TRANSMISSION	19..	539 990074....	2....	RHSNB 1/4-20 x 3/4 GR2
2..	539 101721....	4....	HCS 5/16-18 x 2 3/4	20..	539 976978....	4....	NUT 1/4-20 HEX NYLOC
3..	539 990188..	16....	WASHER 5/16 SAE FLAT	21..	539 990598....	4....	WASHER 1/4 FLAT
4..	539 990717..	10....	NUT 5/16-18 HEX NYLOC	22..	539 112308....	2....	BRAKE SWIVEL
5..	539 990637....	2....	HCS 3/8-16 x 2 1/2	23..	539 101224....	2....	SPRING
6..	539 990118....	2....	WASHER, 3/8 SPLT LOCK	24..	539 976988....	2....	HAIRPIN COTTER
7..	539 990122....	2....	WASHER 3/8 SAE FLAT	25..	574 030501....	1....	ROD, EZT BRAKE LT
8..	539 976938....	2....	HCS 5/16-18 x 2 1/4	26..	574 030502....	1....	ROD, EZT BRAKE RT
9..	539 991073....	1....	NUT 5/16-24 HEX JAM LH	27..	522 656101....	1....	ROD, MOTION CONTROL
10..	539 990209....	4....	HCS 5/16-18 x 1	28..	539 115729....	1....	ROD END RH
11..	522 706002....	1....	ROD, BYPASS, RT	29..	539 116689....	1....	COUPLER, ROD END
12..	522 706001....	1....	ROD, BYPASS, LT	30..	539 116690....	1....	ROD END MALE LH
13..	522 447402....	1....	TRANS, ZT-2800 RT	31..	539 990223....	2....	NUT 5/16-24 HEX
14..	522 447401....	1....	TRANS, ZT-2800 LT	32..	539 113466....	2....	FILTER
15..	510 185102....	2....	EZT MOUNT, REAR	33..	539 115617....	2....	NUT 5/16-18 HEX NYL INSERT
16..	510 184103....	1....	SPACER TUBE, EZT	34..	539 120772....	1....	BELT, HYDRO
17..	539 112318....	1....	EXPANSION TANK w/CAP	35..	539 108535....	1....	SCREW #10-24 x 3/4 SLTD RD
18..	522 439801....	2....	HOSE ASSY	36..	539 976977....	1....	NUT 10-24 HEX NYLOC

# WHEELS AND TIRES

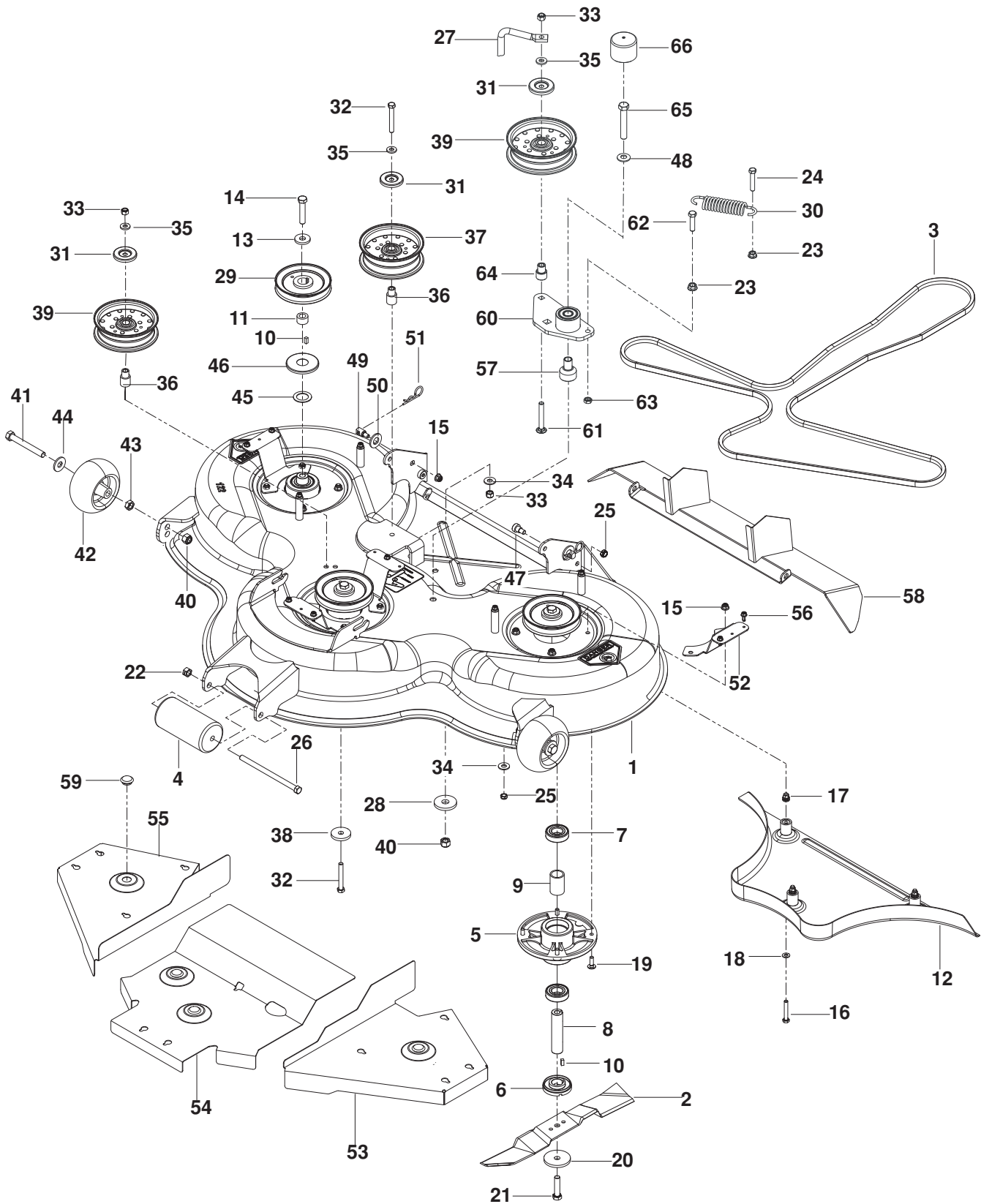


# WHEELS AND TIRES

---

ITEM	PART NO.	QTY.	DESCRIPTION	ITEM	PART NO.	QTY.	DESCRIPTION
1..	539 112660....	2....	BEARING, FLANGED	13..	539 109554....	2....	WASHER ½ FLAT
2..	539 115638....	2....	ZERK ¾ DRIVE	14..	576 588802....	2....	YOKE, ORG
3..	539 115747....	2....	SPRING, CASTER	15..	539 101173....	8....	NUT ½ LUG
4..	539 117901....	2....	BUSHING, CASTER	16..	539 106994....	2....	RIM
5..	539 115675....	2....	WASHER	17..	539 114697....	2....	CASTER TIRE, 410-5 4 PLY
6..	539 102535....	2....	GREASE CAP	18..	576 617801....	4....	BEARING, FLANGED
7..	539 115749....	2....	PLUG, CASTER	19..	539 103300....	2....	ZERK
8..	539 115566....	2....	HCB w/ NY 5/16-18 x 1	20..	539 912234....	4....	VALVE STEM
9..	576 588601....	2....	CASTER TIRE ASSY	21..	539 131110....	2....	WHEEL ASSY 20 x 8
10..	576 588901....	2....	SPACER	22..	539 131109....	2....	TIRE, REAR 20 x 8
11..	576 601501....	2....	RHSNB ½-13 x 7½	23..	539 112217....	2....	RIM 8 x 7 w/ .8" OFFSET
12..	539 200100....	2....	NUT ½ HEX CNTRLK				

# MOWER DECK / CUTTING DECK

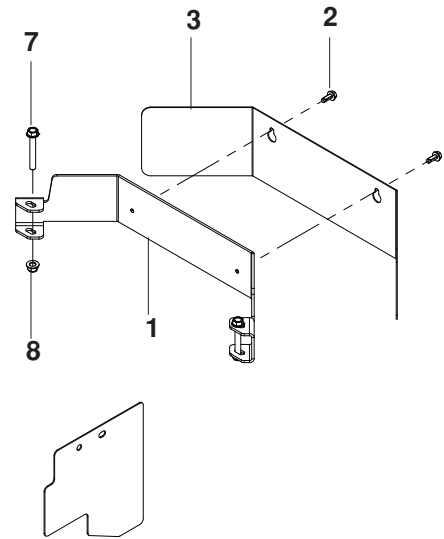
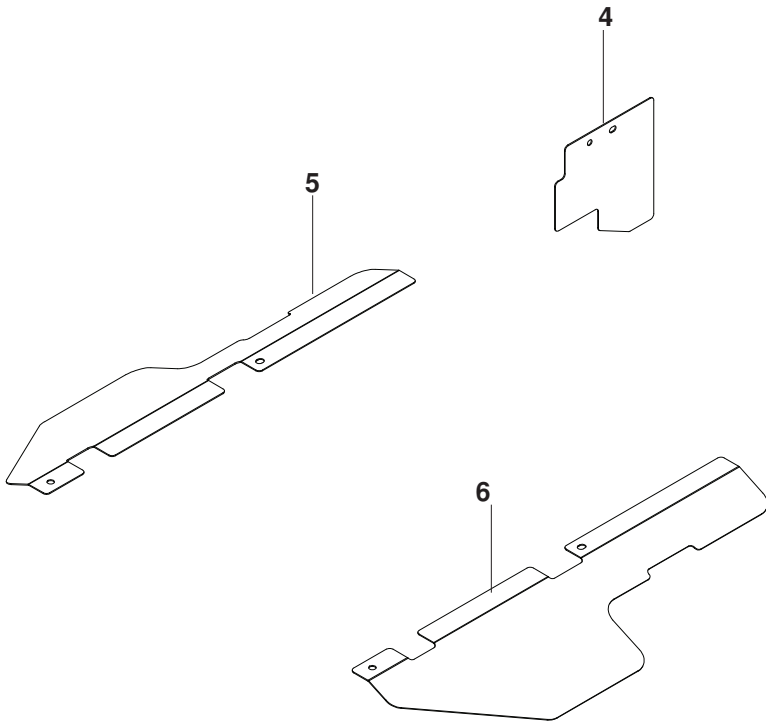


# MOWER DECK / CUTTING DECK

ITEM	PART NO.	QTY.	DESCRIPTION	ITEM	PART NO.	QTY.	DESCRIPTION
1..	577 150003....	1....	DECK w/DECALS	34..	539 990517....	3....	WASHER 3/8 FLAT STD
2..	535 429401....	3....	BLADE	35..	522 023401....	3....	WASHER 3/8 THICK
3..	539 107095....	1....	BELT	36..	539 103295....	2....	BUSHING, IDLER
4..	544 185401....	1....	ROLLER	37..	539 103258....	1....	PULLEY, IDLER (TALL)
5..	535 428901....	3....	HOUSING, BEARING	38..	539 106504....	1....	WASHER, HEAVY
6..	539 132778....	3....	BUSHING, BLADE	39..	539 103257....	2....	PULLEY, IDLER
7..	738 220519....	6....	BEARING	40..	539 101331....	3....	NUT 1/2 HEX NYLOC
8..	535 428702....	3....	AXLE	41..	539 108366....	2....	HCS 1/2-13 x 4
9..	535 428801....	3....	SPACER	42..	539 107610....	2....	WHEEL, GAUGE
10..	506 533501....	6....	KEY	43..	539 990625....	2....	NUT 1/2-13 HEX JAM
11..	539 112609....	3....	KEY RETAINER	44..	539 109554....	2....	WASHER 1/2 FLAT
12..	535 428302....	1....	PLUG, MULCH	45..	539 127099....	3....	WASHER
13..	539 115550....	3....	WASHER	46..	539 108449....	3....	DUST CAP, BOTTOM
14..	539 132479....	3....	HCS M12 x 1.75 x 60 GR 8.8	47..	539 113621....	2....	BOLT 3/8-16 x 3/8 SKT HD
15..	539 112899..	14....	NUT 5/16-18 FLANGE NYLOC	48..	539 115528....	1....	WASHER 1/2 BELLEVILLE
16..	539 132494....	3....	HCS M8 x 1.25 x 50 GR 8.8	49..	532 195161....	2....	STUD w/ ANTI-ROTATE
17..	506 916201....	3....	BUSHING	50..	539 976982....	2....	WASHER 5/8 FLAT SAE
18..	539 990188....	3....	WASHER 5/16 SAE FLAT	51..	539 976989....	2....	HAIRPIN
19..	539 990208..	12....	RHSNB 5/16-18 x 1	52..	577 012502....	4....	BRACKET, BELT COVER, BLK
20..	506 792302....	3....	WASHER	53..	577 047902....	1....	GUARD, LT, BLK
21..	539 132480....	3....	HCS M12 x 1.75 x 50 GR 8.8	54..	577 047702....	1....	GUARD, CENTER, BLK
22..	539 990839....	1....	NUT 7/16-14 HEX CTRLK GR A	55..	577047802....	1....	GUARD, RT, BLK
23..	539 990613....	2....	NUT 3/8-16 HEX WHIZLK	56..	539 107631..	11....	SCREW, 1/4-20 x 5/8, THDROLL
24..	539 990588....	1....	HCS 3/8-16 x 2	57..	510 206301....	1....	PIVOT, BEARING
25..	539 200282....	3....	NUT 3/8-16 HEX JAM NYLOC	58..	577 503302....	1....	DISCHARGE, BLK
26..	539 132470....	1....	HCS 7/16-14 x 7	59..	539 108382....	4....	PLUG, BUTTON, HOLE
27..	522 629701....	1....	BELT KEEPER	60..	539 130391....	1....	ARM, IDLER w/ BEARINGS
28..	539 102243....	1....	WASHER, SUPPORT	61..	539 130235....	1....	BOLT 3/8-16 x 2 3/4 CARRIAGE
29..	539 132895....	3....	PULLEY, 48	62..	539 107042....	1....	HCS 3/8-16 x 1 1/2 GR 8
30..	539 103256....	1....	SPRING	63..	539 109332....	1....	NUT 3/8-16 HEX JAM
31..	510 254501....	3....	SHIELD, DUST	64..	539 130242....	1....	BUSHING, IDLER
32..	539 102612....	2....	HCS 3/8-16 x 2 3/4	65..	539 101572....	1....	HCS 1/2-13 x 3
33..	539 976979....	3....	NUT 3/8-16 HEX NYLOC	66..	539 114823....	1....	CAP, VINYL

# GUARDS

---

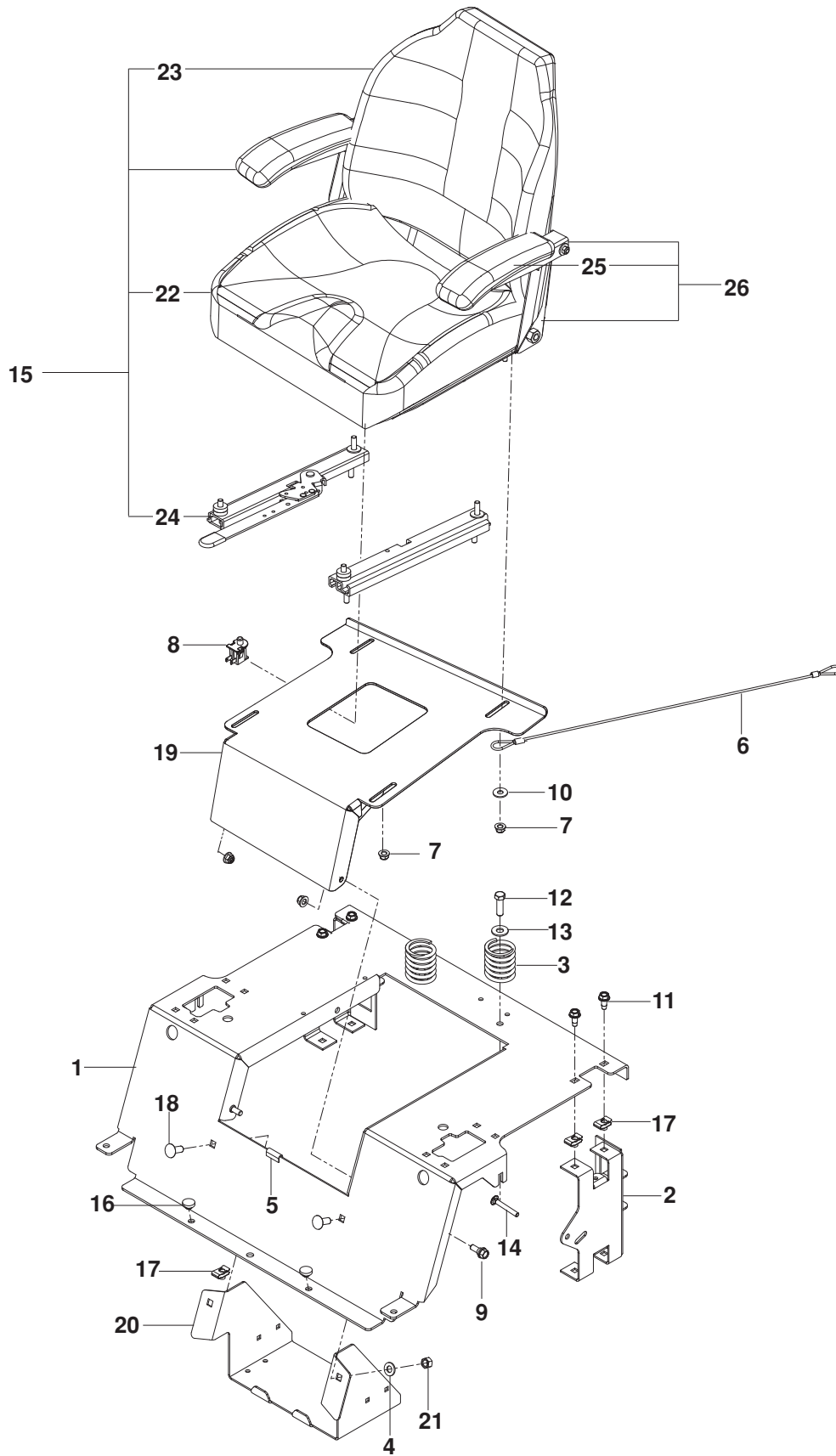


# GUARDS

---

ITEM	PART NO.	QTY.	DESCRIPTION	ITEM	PART NO.	QTY.	DESCRIPTION
1..	577 475002.....	1....	BRACKET, GUARD BLK	5..	577 498002.....	1....	GUARD, RH, BLK
2..	539 107631.....	2....	SCREW, 1/4-20 x 5/8 THDROLL	6..	577 498102.....	1....	GUARD, LH, BLK
3..	577 475102.....	1....	GUARD, CLUTCH, BLK	7..	574 233801.....	2....	HHFS 5/16-18 x 2 1/4
4..	577 484302.....	2....	GUARD, MID FRAME, BLK	8..	539 112899.....	2....	NUT 5/16-18 FLANGE NYLOC

# SEAT



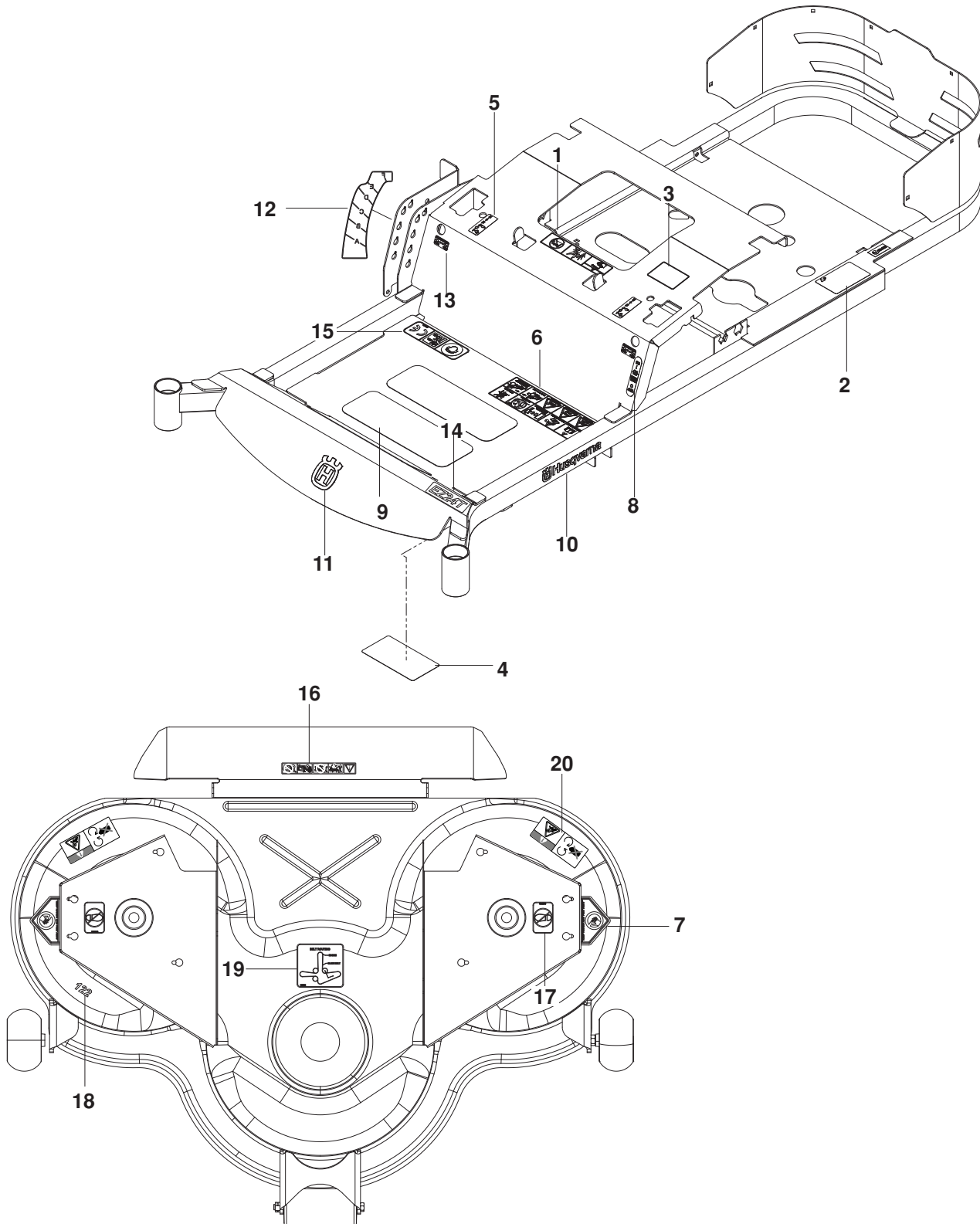


# SEAT

---

ITEM	PART NO.	QTY.	DESCRIPTION	ITEM	PART NO.	QTY.	DESCRIPTION
1..	522 545402....	1....	SUPPORT, SEAT ORG	15..	576 702001....	1....	SEAT ASSY
2..	574 522702....	2....	SUPPORT, REAR SEAT BLK	16..	539 102587....	2....	GROMMET, BUMPER
3..	539 110300....	2....	SPRING, SEAT	17..	539 104763....	5....	RETAINER, U TYPE
4..	539 990122....	4....	WASHER $\frac{3}{8}$ SAE FLAT	18..	539 990645....	2....	RHSNB $\frac{3}{8}$ -16 x 1
5..	539 118102....	1....	CLIP	19..	576 916802....	1....	PAN, SEAT ORG
6..	539 103247....	1....	LANYARD, SEAT	20..	510 231302....	1....	BOX, BATTERY BLK
7..	539 112899....	6....	NUT $\frac{5}{16}$ -18 HEX FLG NYLOC	21..	539 976979....	4....	NUT $\frac{3}{8}$ -16 HEX NYLOC
8..	539 119741....	1....	SWITCH, SEAT	22..	576 702002....	1....	CUSHION, SEAT
9..	539 130896....	2....	BOLT $\frac{5}{16}$ -18 HEX HD SHLDR	23..	576 702003....	1....	BACK, SEAT
10..	539 990692....	4....	WASHER $\frac{5}{16}$ STD FLT	24..	576 702004....	1....	RAIL SET, SEAT
11..	539 107475....	4....	BOLT $\frac{5}{16}$ -18 x $\frac{3}{4}$ THD FRM	25..	576 702005....	2....	CUSHION, ARM
12..	539 976941....	2....	HCS $\frac{3}{8}$ -16 x $1\frac{1}{4}$	26..	576 702006....	1....	ARM ASSY LT
13..	539 990517....	2....	WASHER $\frac{3}{8}$ FLAT STD		576 702007....	1....	ARM ASSY RT
14..	510 422701....	2....	RHSNB $\frac{5}{16}$ -18 x $2\frac{1}{2}$				

# DECALS



# DECALS

---

ITEM	PART NO.	QTY.	DESCRIPTION	ITEM	PART NO.	QTY.	DESCRIPTION
1..	539 105745....	1....	DECAL, BATTERY WARNING	12..	576 979101....	1....	DECAL, HEIGHT
2..	539 108385....	1....	DECAL, DO NOT TOW	13..	539 110974....	2....	DECAL, TRACKING
3..	539 108386....	1....	DECAL, EXIT MOWER	14..	521 949322....	1....	DECAL, EZ24T
4..	539 109897....	1....	DECAL, SERVICE	15..	539 105829....	1....	DECAL, SOUND POWER
5..	539 103333....	2....	DECAL, MOTION CONTROL	16..	532 196357....	1....	DECAL, WARNING
6..	539 109908....	1....	DECAL, SAFETY WARNING	17..	539 105743....	2....	DECAL, EURO NO STEP
7..	539 913010....	2....	DECAL, BLADE WARNING	18..	539 112535....	1....	DECAL, 122
8..	539 120006....	1....	DECAL, PARK BRAKE	19..	539 112620....	1....	DECAL, BELT ROUTING
9..	539 977778....	3....	ABRASIVE PAD	20..	539 105744....	2....	DECAL, BELT DRIVES
10..	532 429196....	2....	DECAL, HUSQVARNA				
11..	532 428676....	2....	DECAL, CROWN H				