

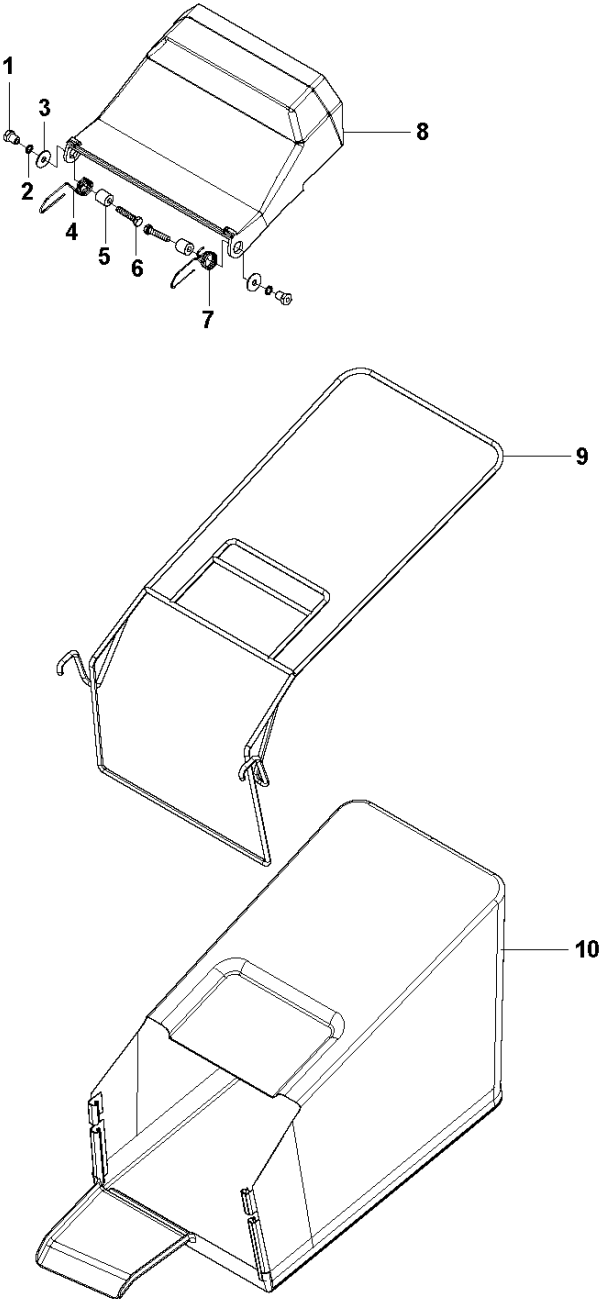


SPARE PARTS LIST

LAWN MOWERS: CONSUMER
WALK-BEHINDS

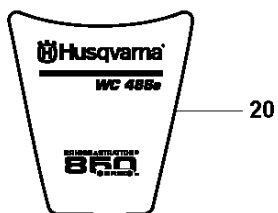
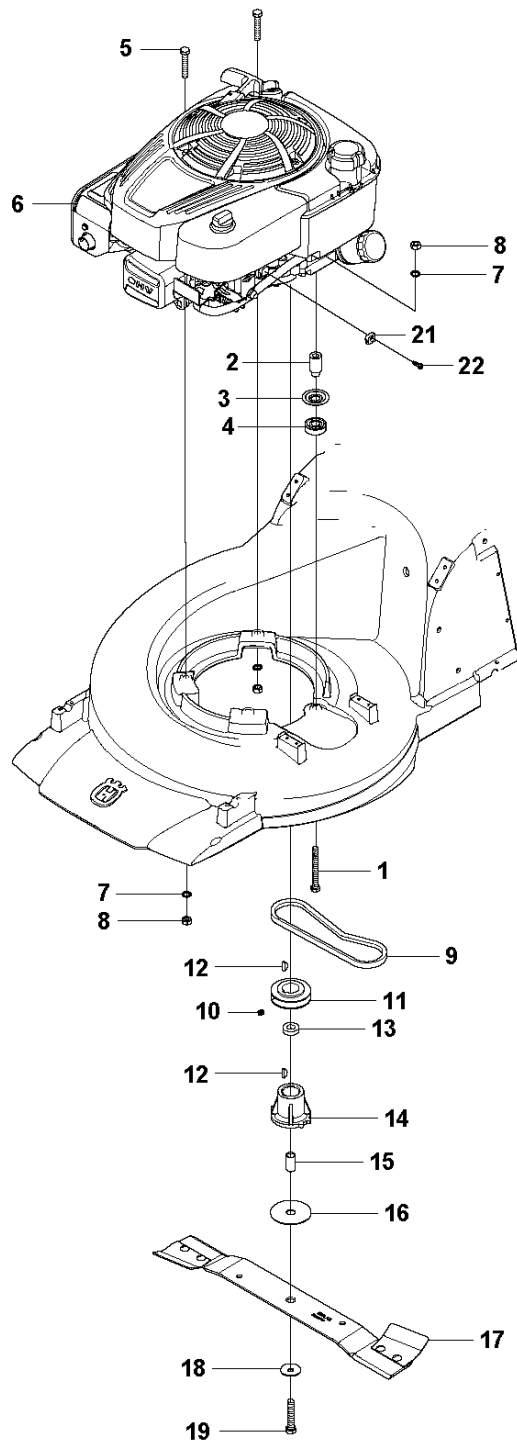
WC48 SE, 966663402, 2011-03

E WC 48S e
COLLECT PARTS



Ref	Part no.	Description	Remark	Qty	Kit
1	503 28 48-01	SHOULDER NUT		2	
2	735 21 64-01	LOCK WASHER		2	
3	504 46 14-01	WASHER		2	
4	503 33 27-01	SPRING		1	
5	503 25 72-01	BUSHING		2	
6	725 24 59-51	SCREW EHHM		2	
7	503 33 28-01	SPRING		1	
8	503 32 54-01	HATCH		1	
9	503 32 59-01	FRAME		1	
10	503 32 60-02	GRASSBAG		1	

D WC 48S e
ENGINE

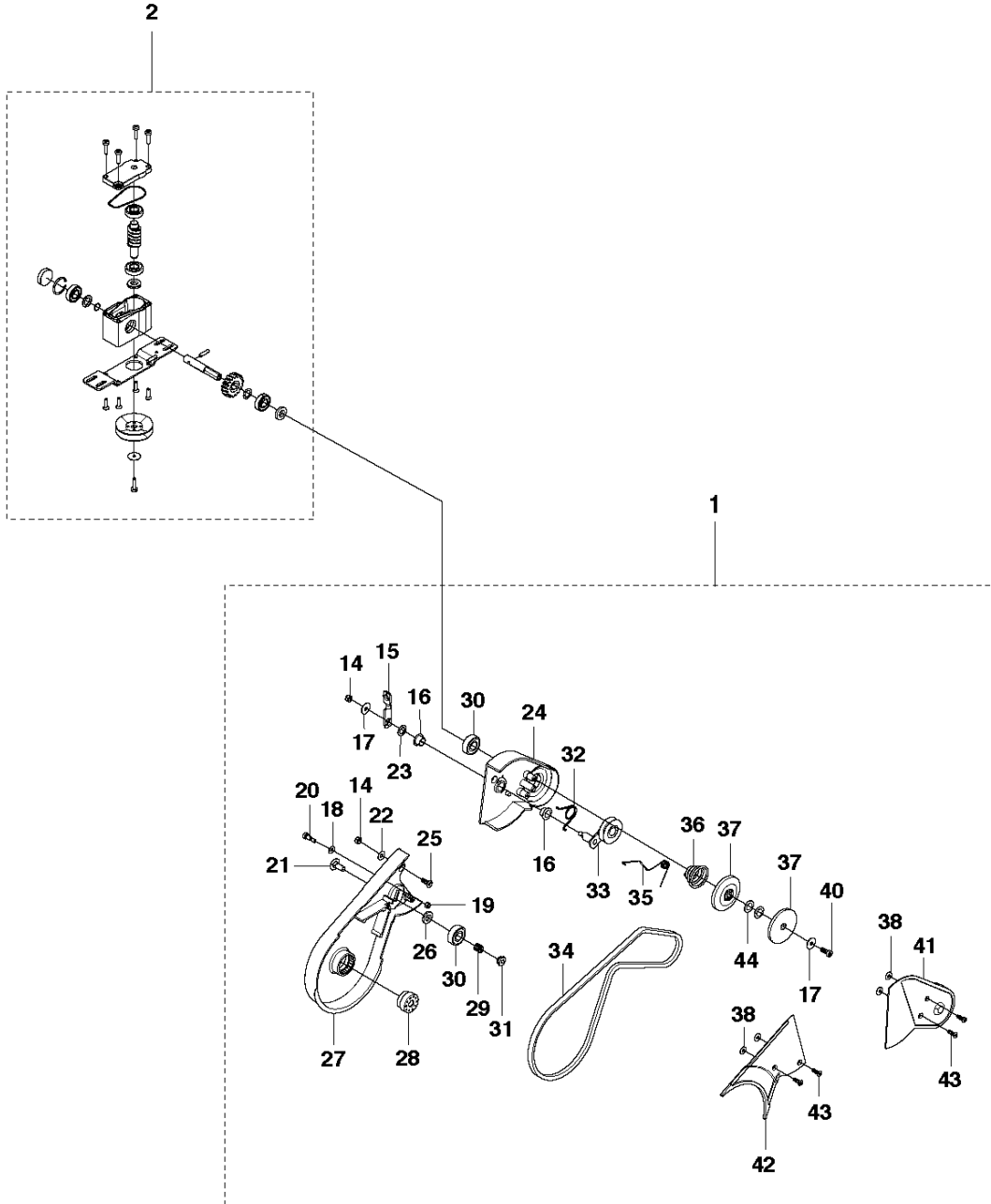


ENGINE

WC48 SE, 966663402, 2011-03

Ref	Part no.	Description	Remark	Qty	Kit
1	725 24 73-51	SCREW EHHM		1	
2	522 59 05-01	SPACER		1	
3	522 41 72-01	WASHER		1	
4	503 24 29-01	BALL BEARING	6201-2RS	1	
5	725 24 60-71	SCREW EHHM		2	
6	12Q9720168B 1	TBD	Briggs & Stratton	1	
7	735 21 64-01	LOCK WASHER		3	
8	731 23 18-01	HEXAGON NUT		3	
9	502 94 53-03	V-BELT	Kit: 5254804-01 (Belt with shell)	1	
10	728 53 60-01	SCREW IHSETM		1	
11	522 59 13-01	PULLEY		1	
12	504 46 05-01	WOODRUF KEY		2	
13	522 59 04-01	SPACER		1	
14	502 87 19-01	BLADE SUPPORT		1	
15	503 25 99-01	BLADE BUSHING		1	
16	503 25 94-01	WASHER		1	
17	502 88 16-01	BLADE		1	
18	503 33 25-01	SPRING		1	
19	504 45 64-02	SCREW EHHU		1	
20	577 87 53-01	DECAL		1	
21	575 52 26-01	CLIP		1	
22	504 46 00-01	SCREW ITXCFSM		1	

B GEAR
Collector

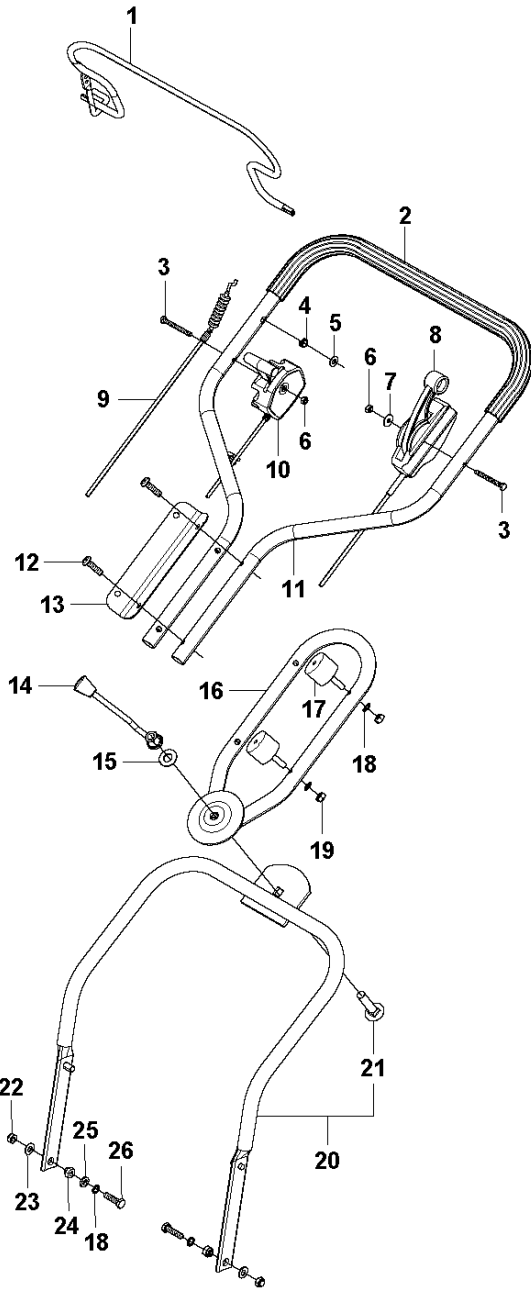


GEARS

WC48 SE, 966663402, 2011-03

Ref	Part no.	Description	Remark	Qty	Kit
1	585 19 27-03	TRANSMISSION KIT		1	
2	510 21 21-03	WORM GEAR ASSY		1	1
14	732 25 16-01	HEXAGON LOCKING NUT		2	1
15	503 32 27-01	LEVER		1	1
16	503 27 71-01	BUSHING		2	1
17	734 18 13-51	WASHER		1	1
18	504 45 60-01	WASHER, 5X13X1		1	1
19	732 25 14-01	HEXAGON LOCKING NUT		1	1
20	504 46 19-01	SCREW IHSCM		1	1
21	727 64 51-51	SCREW RSQM		1	1
22	503 32 40-01	SPRING		1	1
23	504 46 08-01	WASHER		1	1
24	522 41 63-02	COVER		1	1
25	725 63 69-51	SCREW IHCSFM		1	1
26	504 46 06-01	WASHER		1	1
27	503 32 83-02	COVER		1	1
28	503 32 44-01	BUSHING		1	1
29	503 31 87-01	SPRING		1	1
30	503 24 29-01	BALL BEARING	6201-2RS	2	1
31	503 31 76-01	BARREL NUT		1	1
32	503 32 37-01	SPRING		1	1
33	503 32 30-01	PULLEY ASSY		1	1
34	580 79 40-01	V-BELT	Kit: 5254799-01 (Belt with shell)	1	1
35	503 33 07-01	SPRING		1	1
36	503 32 34-01	SPRING		1	1
37	503 32 95-01	DISC		2	1
38	575 88 48-01	WASHER		4	1
40	504 45 67-01	SCREW IHSCM		1	1
41	503 32 85-02	COVER		1	1
42	503 32 84-02	COVER		1	1
43	504 46 00-02	SCREW		4	1
44	504 45 98-01	WASHER		2	1

C WC 48S e
HANDLE



HANDLE

WC48 SE, 966663402, 2011-03

Ref	Part no.	Description	Remark	Qty	Kit
1	503 31 11-02	BAIL ARM ASSY		1	
2	576 64 19-01	HANDLE GRIP		1	
3	725 23 81-51	SCREW EHHM		2	
4	503 32 09-01	BUSHING		1	
5	734 18 20-51	WASHER		1	
6	732 25 16-01	HEXAGON LOCKING NUT		2	
7	504 45 99-01	WASHER		1	
8	503 31 29-01	DRIVE CONTROL		1	
9	522 59 03-01	CABLE		1	
10	503 31 27-02	THROTTLE CONTROL		1	
11	502 90 64-02	HANDLE ASSY		1	
12	504 46 15-01	SCREW CRPANM		4	
13	503 31 17-02	PLATE		1	
14	503 29 83-01	LEVER ASSY		1	
15	504 45 73-01	WASHER		1	
16	502 90 35-02	HANDLE ASSY		1	
17	503 31 25-01	ANTI-VIBRATION MOUNT		4	
18	735 21 64-01	LOCK WASHER		6	
19	731 23 18-01	HEXAGON NUT		4	
20	503 28 23-02	HANDLE ASSY		1	
21	727 65 43-51	SCREW RSQM		1	20
22	732 25 18-01	HEXAGON LOCKING NUT		2	
23	504 46 10-01	WASHER		2	
24	503 28 47-01	SHOULDER NUT		2	
25	504 46 75-01	WASHER		1	
26	725 24 55-71	SCREW EHHM		2	

MOWER DECK / CUTTING DECK

WC48 SE, 966663402, 2011-03

Ref	Part no.	Description	Remark	Qty	Kit
1	504 45 71-02	SCREW ITXPANM		4	
2	503 25 73-02	HOLDER		2	
3	502 87 50-01	LOCKING BOLT		1	
4	503 33 29-01	SPRING		1	
5	735 31 10-00	CIRCLIP		3	
6	502 89 30-02	AXLE ASSY		1	
7	503 25 79-02	WALL ASSY		1	
8	502 94 56-01	MULCH PLUG ASSY		1	
9	504 46 73-01	BINDING SCREW		1	
10	504 46 70-01	SCREW ITXPANM		2	
11	504 46 00-01	SCREW ITXCSFM		2	
12	503 26 95-01	REAR AXLE ASSY		1	
13	502 88 52-02	BEARING		2	
14	504 45 71-01	SCREW ITXPANM		6	
15	503 27 51-01	HUB CAP		3	
16	502 88 27-01	BALL BEARING	6201-2RS/B9	2	19
17	504 45 83-01	CIRCLIP		2	
18	510 10 96-01	TYRE		4	19, 27, 28
19	503 27 54-02	WHEEL ASSY		2	
20	503 24 29-01	BALL BEARING	Lager 6201-2RS	2	19
21	504 46 18-01	SPACER RING		2	19
22	503 33 30-01	SPRING		2	
23	504 45 76-01	WASHER		4	
25	503 27 73-01	SCRAPER		2	
26	522 59 26-02	CHASSIS		1	
27	503 31 74-02	WHEEL ASSY		1	
28	503 27 55-02	WHEEL ASSY		1	
29	503 27 62-01	BUSHING		1	28
30	504 45 99-01	WASHER		2	
31	504 45 67-01	SCREW IHSCM		2	
32	503 27 64-01	BUSHING		1	28
33	504 45 98-01	WASHER		1	
34	504 46 36-01	BUSHING		2	
35	735 21 64-01	LOCK WASHER		1	
36	731 23 18-01	HEXAGON NUT		1	
37	725 23 29-61	SCREW EHHFT		4	
38	504 46 10-01	WASHER		1	39
39	522 59 06-02	HEIGHT ADJUSTER ASSY		1	
40	725 24 51-71	SCREW EHHM		1	
41	504 46 69-01	SCREW IHSHMC		1	39
42	503 25 77-01	SPRING		1	39
43	732 25 18-01	HEXAGON LOCKING NUT		1	39
44	522 41 60-02	BELT GUARD		1	
45	504 46 38-02	BRACKET		2	
46	502 89 81-02	CASING		2	
47	503 27 08-01	FRONT AXLE ASSY		1	
48	502 87 38-01	DRIVE SHAFT		1	
49	503 27 71-01	BUSHING		1	27
50	504 46 13-01	DRIVER		1	
51	504 46 09-01	WASHER		1	
52	503 33 23-01	SPRING		1	
53	504 46 51-01	HUB CAP		1	
54	503 26 33-01	BUMPER ASSY		1	
55	503 26 28-01	BUMPER ASSY		1	
56	504 46 48-01	KNOB		1	39
57	522 59 15-02	GEAR BOX ASSY		1	
58	502 88 40-01	WARNING DECAL		1	
59	520 29 05-03	LABEL		1	