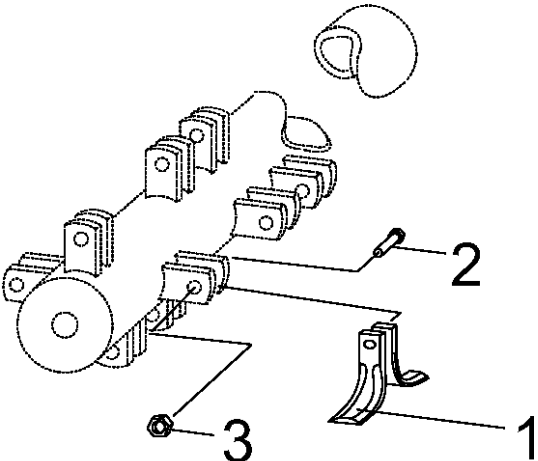




SPARE PARTS LIST

ACCESSORIES AND TOOLS

FLAIL MOWER T-60367, 966796501,
2011-09

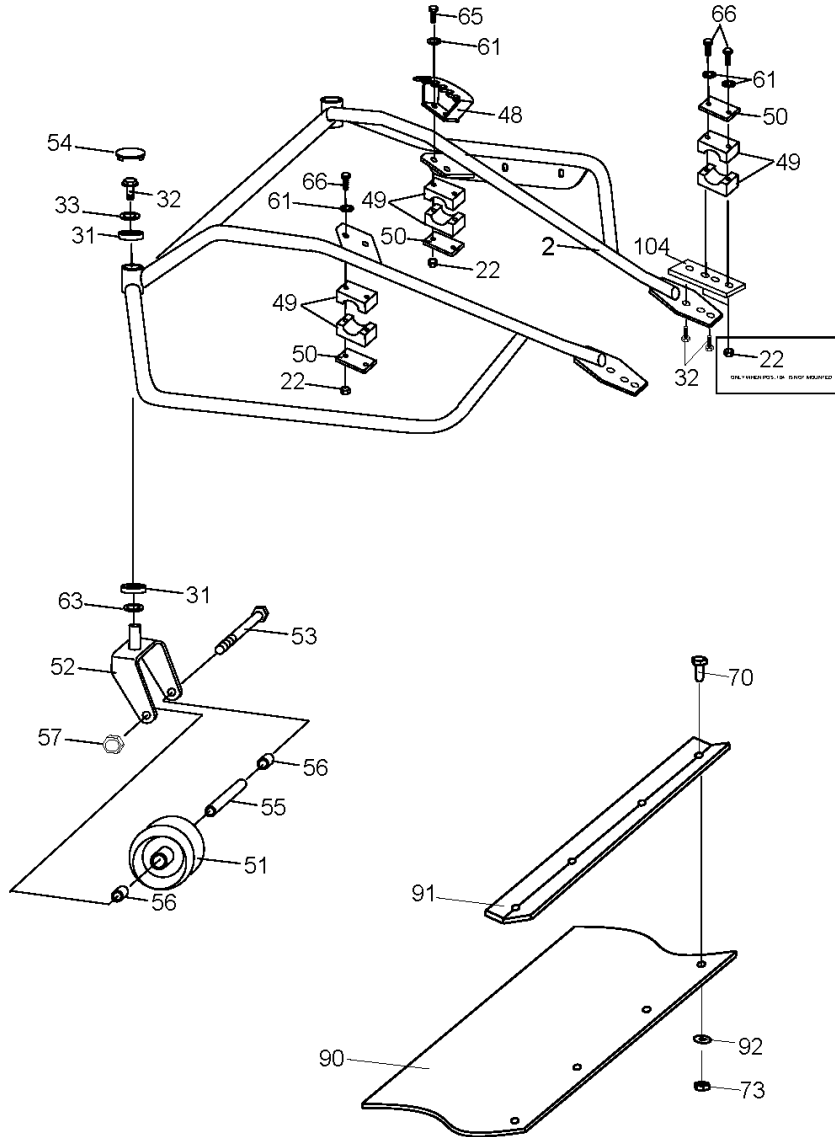


535 41 50-96
T-60344

FLAIL BLADE

FLAIL MOWER T-60367, 966796501, 2011-09

Ref	Part No	Description	Remark	QTY KIT
1	535 41 50-63	BLADE		112
2	531 02 11-99	SCREW		56
3	531 02 12-19	NUT		56

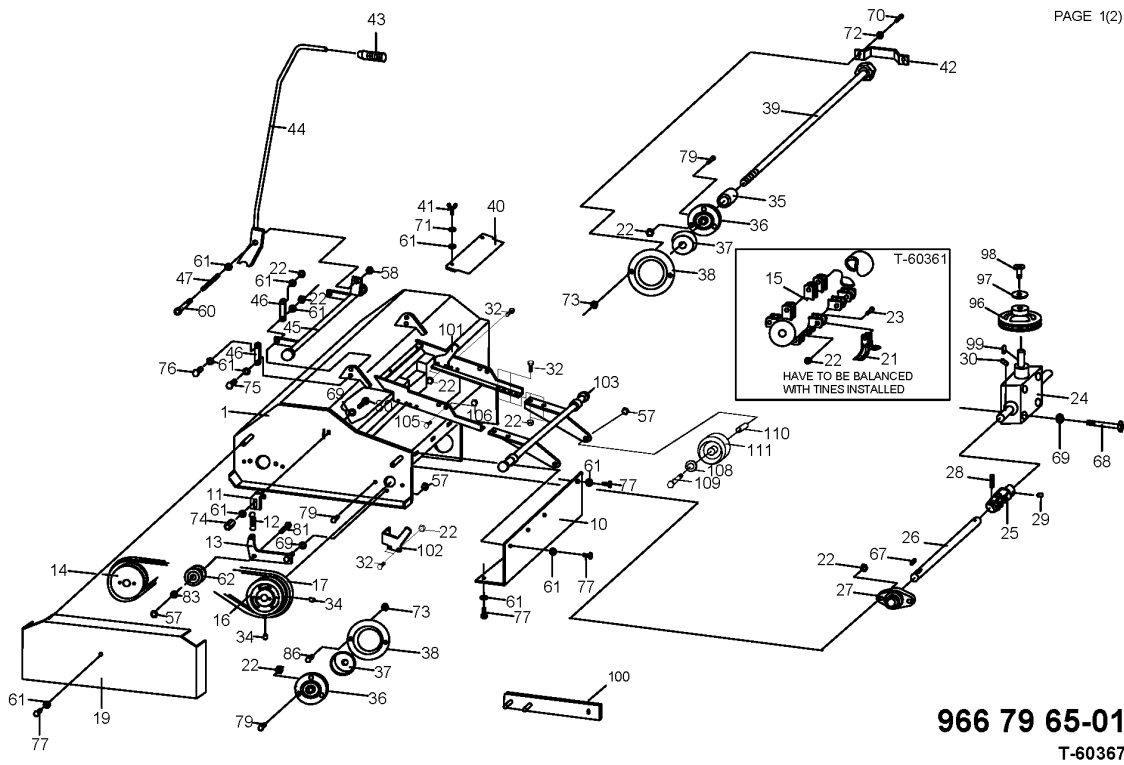


966 79 65-01
T-60367

PRODUCT COMPLETE

FLAIL MOWER T-60367, 966796501, 2011-09

Ref	Part No	Description	Remark	QTY KIT
2	576 68 48-01	FRAME		1
22	531 02 12-19	NUT		78
31	531 02 11-38	BEARING		4
32	535 41 50-45	SCREW		14
33	531 02 12-16	WASHER		2
48	535 41 50-77	SEGMENT		1
49	506 86 96-01	BEARING		8
50	506 81 38-01	REINFORCING PLATE		4
51	506 96 30-01	WHEEL ASSY		2
52	535 50 46-01	GAFFELFÄSTE		2
53	576 68 51-01	SCREW		2
54	544 01 70-01	HUB CAP		2
55	506 81 08-02	WHEEL AXLE TUBE		2
56	506 87 41-02	SPACER		4
57	531 02 11-30	NUT		8
61	531 02 11-84	WASHER		22
63	506 50 48-05	WASHER		2
65	535 41 50-87	SCREW		2
66	535 41 50-88	SCREW		6
70	535 41 50-36	SCREW		2
73	531 02 11-98	NUT		4
90	576 68 52-01	PROTECTION		1
91	576 68 53-01	FRAME		1
104	579 55 04-01	COLLAR		2



966 79 65-01
T-60367

PRODUCT COMPLETE

FLAIL MOWER T-60367, 966796501, 2011-09

Ref	Part No	Description	Remark	QTY KIT
1	579 54 93-01	FRAME		1
10	535 41 50-55	PLATE		1
11	576 48 87-01	WELDMENT		1
12	535 41 50-57	SPRING		1
13	576 48 88-01	ARM		1
14	535 41 50-59	PULLEY		1
15	535 46 66-76	SHAFT		1
16	535 41 50-61	PULLEY		1
17	535 41 50-48	BELT		1
19	576 68 49-01	BELT GUARD		1
21	535 41 50-63	BLADE		112
22	531 02 12-19	NUT		78
23	531 02 11-99	SCREW		56
24	535 46 66-10	GEAR BOX		1
25	535 41 50-25	LINK		1
26	535 41 50-64	SHAFT		1
27	531 00 51-81	BEARING		1
28	531 02 11-70	PIN RETAINING SCREW		1
29	535 41 50-29	SCREW		1
30	535 41 50-28	KEY		1
32	535 41 50-45	SCREW		14
34	531 02 11-69	SCREW		2
35	535 41 50-65	SPACER		1
36	576 48 96-01	BEARING		2
37	535 41 50-67	PROTECTOR		2
38	535 41 50-68	PLATE		2
39	535 41 50-69	SCREW		1
40	535 46 66-77	GUARD		1
41	535 41 50-71	SCREW		2
42	579 54 95-01	GUARD		1
43	506 54 20-01	HANDLE		1
44	535 41 50-73	LEVER		1
45	535 41 50-74	LEVER		1
46	576 68 50-01	PLATE		4
47	535 41 50-76	SPRING		1
57	531 02 11-30	NUT		8
58	531 02 11-32	NUT		1
60	535 41 50-84	SCREW		1
61	531 02 11-84	WASHER		22
62	576 49 16-01	PULLEY		1
67	531 00 52-20	KEY		1
68	535 41 50-89	SCREW		4
69	531 02 11-37	WASHER		4
70	535 41 50-36	SCREW		2
71	535 41 50-90	WASHER		2
72	535 41 50-11	WASHER		2
73	531 02 11-98	NUT		4
74	576 49 20-01	COLLAR		1
75	531 02 12-59	BOLT		2
76	535 41 50-91	SCREW		2
77	531 02 11-44	SCREW		7
79	531 02 11-46	SCREW		6
80	531 00 52-66	SCREW		1
81	535 41 50-93	SCREW		1
83	535 41 50-94	WASHER		1
86	531 02 11-96	SCREW		2
96	535 46 66-78	PULLEY		1
97	535 46 66-26	WASHER		1
98	725 64 53-01	SCREW IHCSFM		1
99	535 46 66-27	KEY		1
100	535 46 66-67	KEY		1
101	579 54 98-01	KEEPER		1
102	579 55 00-01	KEEPER		1
103	579 55 01-01	ATTACHMENT		1

PRODUCT COMPLETE

FLAIL MOWER T-60367, 966796501, 2011-09

Ref	Part No	Description	Remark	QTY KIT
105	579 55 05-01	SCREW		2
106	531 00 53-16	NUT		2
108	576 49 17-01	WASHER		2
109	531 02 12-39	SCREW		2
110	576 48 92-01	COLLAR		2
111	576 48 94-01	SUPPORT WHEEL		2