

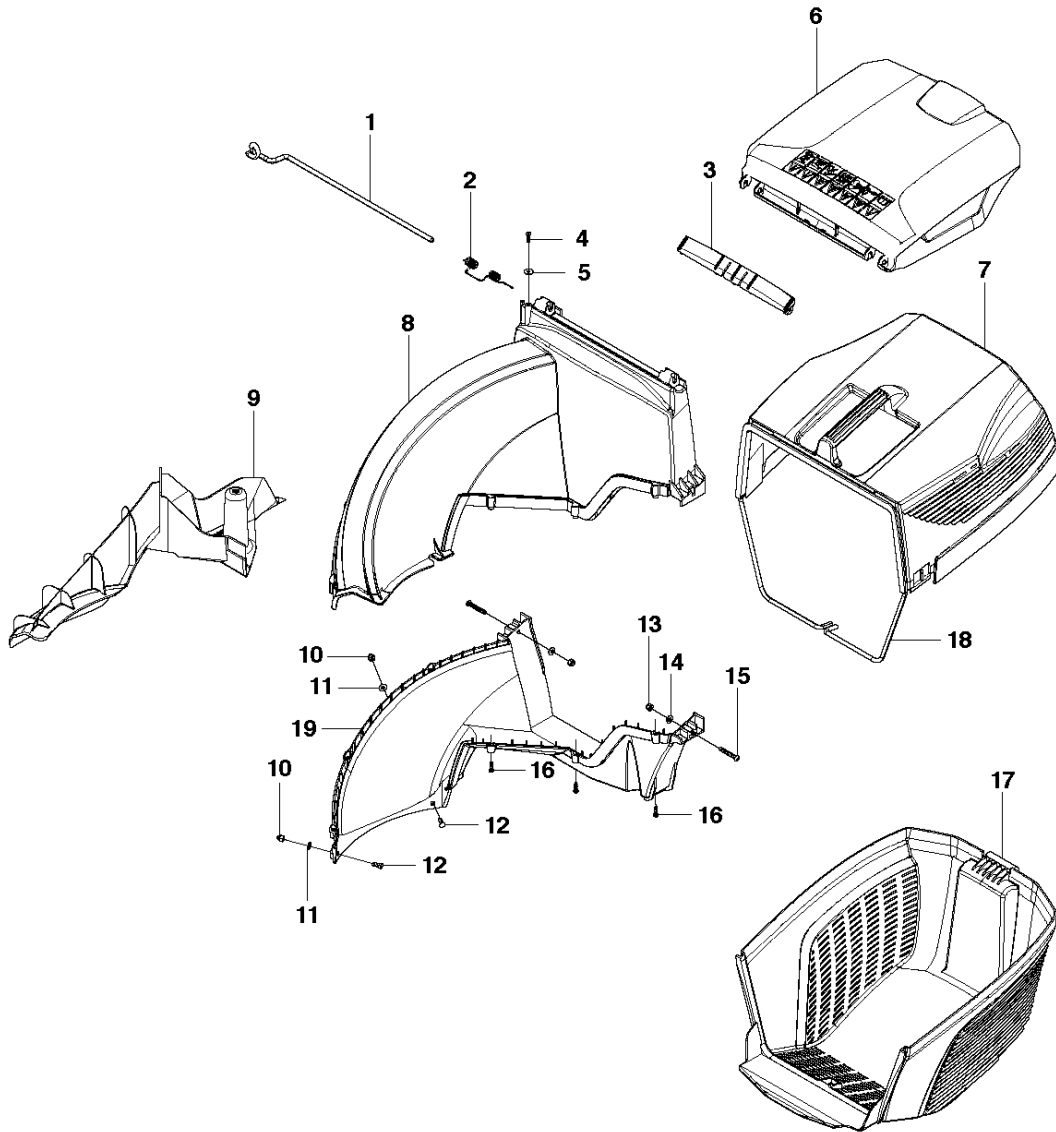


# SPARE PARTS LIST

LAWN MOWERS: CONSUMER  
WALK-BEHINDS

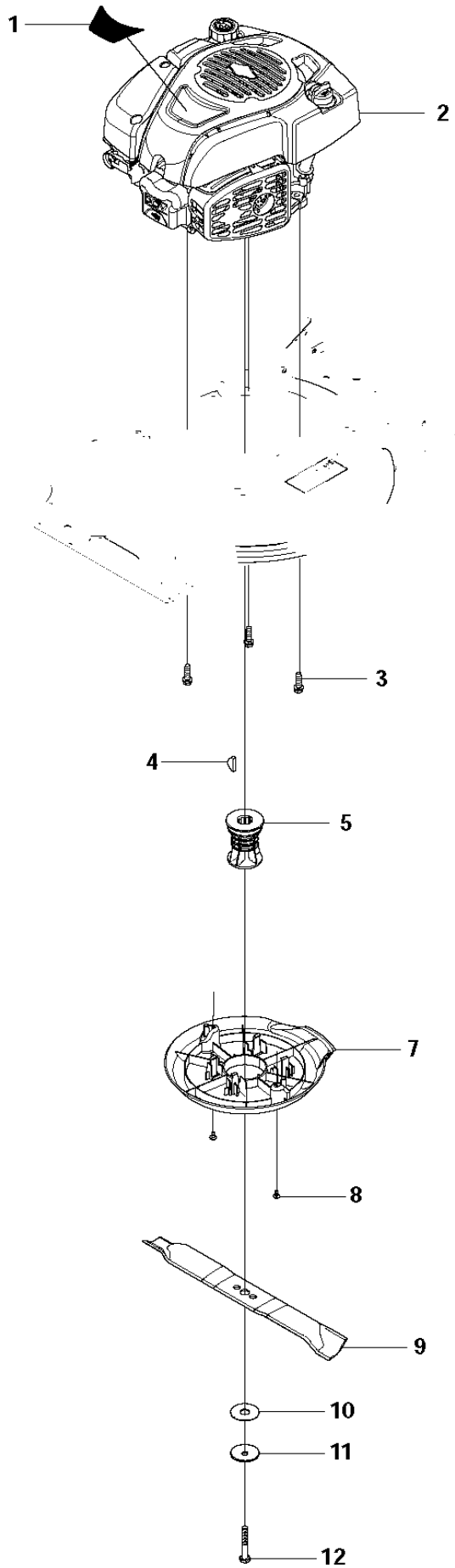
LC48, 96697630200, 2011-01

**D** LC48  
Collect parts



Ref	Part No	Description	Remark	QTY KIT
1	502 24 59-01	AXLE		1
2	502 24 47-01	SPRING		1
3	504 59 81-01	COVER LID		1
4	502 43 53-01	SCREW ITXPANT		1
5	505 19 84-01	WASHER		1
6	501 96 77-01	HATCH		1
7	501 98 77-01	GRASSBAG		1
8	501 96 75-01	CHUTE		1
9	504 13 71-01	MULCH PLUG		1
10	502 30 50-01	CAP NUT		2
11	505 19 84-01	WASHER		2
12	505 15 61-01	SCREW		2
13	522 66 93-02	LOCKING NUT		2
14	531 20 66-66	WASHER		2
15	505 55 77-01	SCREW ITXPANTT		2
16	502 43 53-01	SCREW ITXPANT		7
17	501 98 76-01	GRASSBAG		1
18	502 44 71-01	GRASSBAG		1
19	501 96 73-01	CHUTE		1

**C** LC48  
Engine

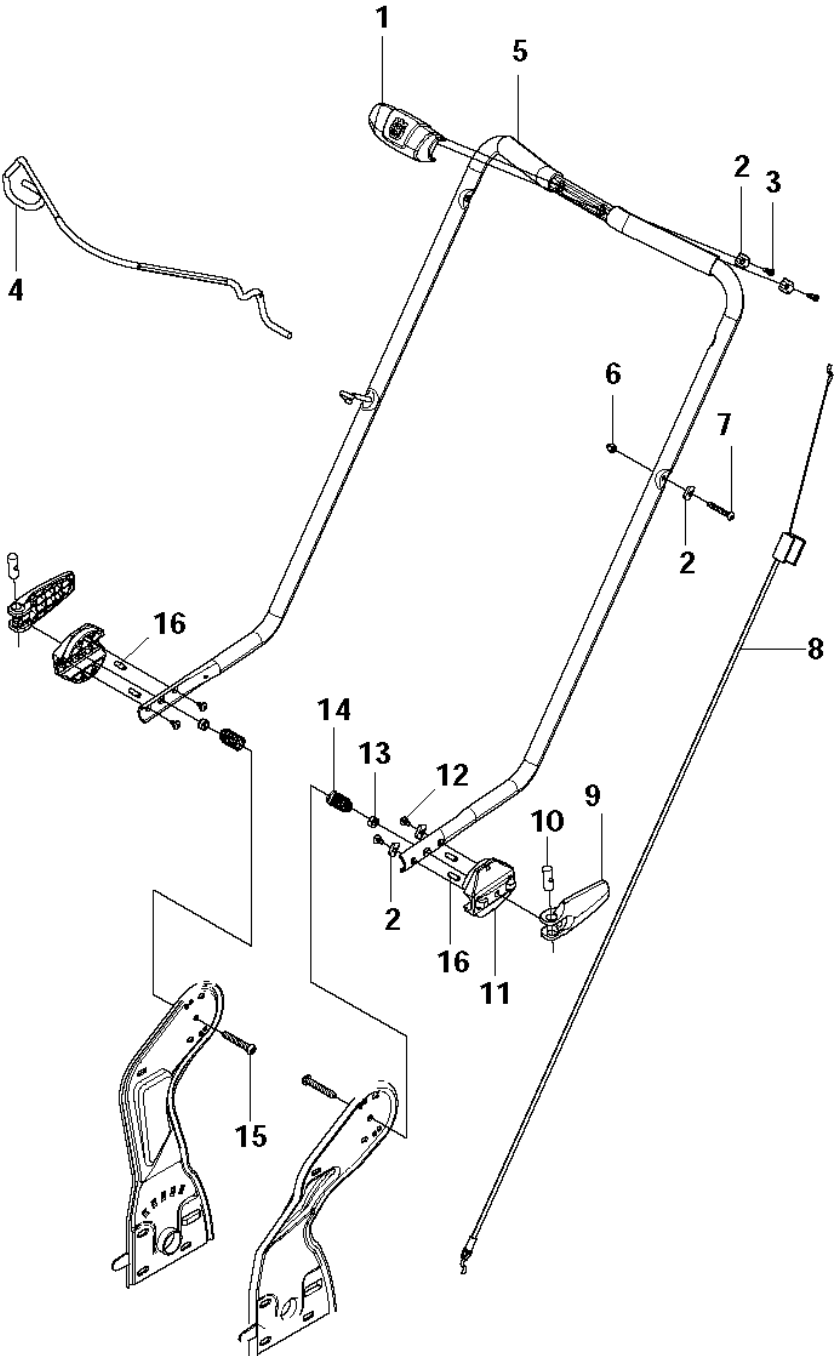


## ENGINE

LC48, 96697630200, 2011-01

Ref	Part No	Description	Remark	QTY KIT
1	521 88 88-02	LABEL		1
2	124T02-0204-B1	TBD	Briggs & Stratton	1
3	531 21 28-51	SCREW		3
4	531 20 49-07	KEY		1
5	531 20 78-48	SUPPORT		1
7	501 96 81-01	BELT COVER		1
8	505 52 46-01	SCREW ITPANTT		2
9	505 52 41-01	MOWER BLADE		1
10	531 20 72-43	WASHER		1
11	531 20 72-37	WASHER		1
12	531 20 66-49	SCREW		1
13	510 43 66-01	BLADE		1

**B** LC48  
Handle

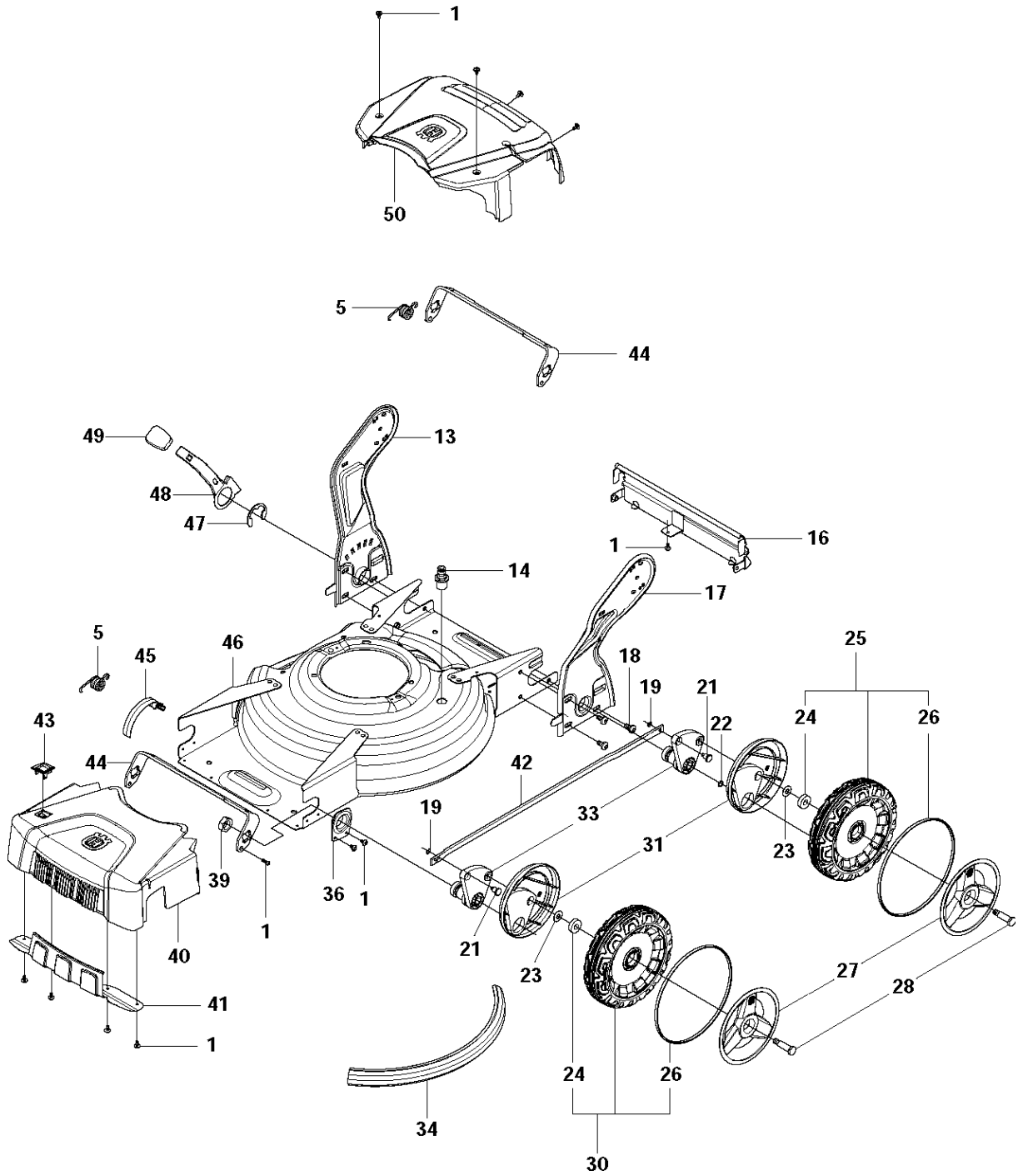


## HANDLE

LC48, 96697630200, 2011-01

Ref	Part No	Description	Remark	QTY KIT
1	510 04 73-01	COVER LID		1
2	531 20 49-61	WASHER		7
3	574 39 14-01	SCREW ITPANT		2
4	502 28 93-01	BAIL ARM		1
5	522 74 84-01	HANDLE ASSY		1
6	502 30 50-01	CAP NUT		1
7	505 55 77-02	SCREW ITPANTT		1
8	522 93 74-01	CABLE		1
9	504 13 83-01	LEVER		2
10	505 53 11-01	PIN		2
11	504 13 89-01	ADJUSTING DISC		2
12	502 43 52-03	SCREW ITPANTT		4
13	522 91 94-01	LOCKING NUT		2
14	504 63 81-01	SPRING		2
15	505 52 46-01	SCREW ITPANTT		2
16	505 50 81-01	NEEDLE ROLLER		4

**A** LC48  
Deck





## MOWER DECK / CUTTING DECK

LC48, 96697630200, 2011-01

Ref	Part No	Description	Remark	QTY KIT
1	502 43 52-01	SCREW ITXPANTT		15
2	504 05 56-01	NUT FLANGE		1
3	504 05 33-01	PULLEY		1
4	501 98 66-01	BELT		1
5	522 02 46-01	SPRING		2
13	504 00 00-01	HANDLE SUPPORT		1
14	531 20 58-48	CONNECTOR		1
16	504 64 15-01	SKID PLATE		1
17	504 00 32-01	HANDLE SUPPORT		1
18	504 64 16-02	SCREW ITXPANTT		6
19	735 31 09-21	E-CLIP		2
21	504 62 50-01	SHAFT		2
22	504 70 28-01	LOCK RING		2
23	505 22 14-01	WASHER		4
24	738 21 01-04	BALL BEARING		8
25	544 91 69-02	WHEEL ASSY		2
26	544 43 28-01	O-RING		4
27	544 44 39-01	HUB CAP		4
28	544 45 34-01	SCREW		4
30	502 49 68-01	WHEEL ASSY		2
31	504 62 41-01	DUST COVER		4
32	544 34 23-01	PINION		2
33	504 70 98-02	LINK ARM ASSY		4
34	504 69 50-01	BUMPER		1
36	504 62 49-01	BRACKET		2
39	505 52 10-01	NUT		4
40	502 62 44-01	FRONT COVER		1
41	502 62 54-01	SKID PLATE		1
42	504 61 55-01	ROD		1
43	504 62 75-01	INDEX WINDOW		1
44	504 61 46-01	TRANSVERSAL ROD		2
45	504 62 76-01	INDEX SCALE		1
46	501 37 55-01	CHASSIS		1
47	735 31 36-21	LOCK WASHER		1
48	504 83 82-01	LEVER		1
49	504 83 83-01	KNOB		1
50	501 35 50-01	REAR COVER		1