

Repair Parts Manual Manual De Repuestos

LGT24K54 / 96043012702

Please read the operator's manual carefully and make sure you understand the instructions before using the machine.

Por favor lea cuidadosamente y comprenda estas instrucciones antes de usar esta maquina.



English/Spanish



532 44 56-81

HOW TO USE THIS MANUAL

This manual is designed to provide the customer with a means to identify the parts on his/her tractor when ordering repair parts. The illustrations may or may not represent the actual assemblies; therefore, it is not recommended to use this manual as a guide to assemble or disassemble the tractor. Some hardware and parts are drawn larger in order to more readily identify them.

Each tractor has its own model number.

The model number for your tractor can be found on the fender under the seat.

When ordering parts, always give the following information:

- Product - "TRACTOR"
- MODEL NUMBER - "LGT24K54" (96043012702)"
- Part Number
- Part Description

TABLE OF CONTENTS

SCHEMATIC	3
ELECTRICAL.....	4-5
CHASSIS	6-7
DRIVE.....	8-9
ENGINE.....	10-11
STEERING	12-13
MOWER DECK.....	14-15
MOWER LIFT.....	16
SEAT	17
DECALS.....	18

COMO UTILIZAR ESTE MANUAL

Este manual está diseñado para brindarle al comprador un medio para identificar las piezas del tractor para cuando necesite hacer el pedido de un repuesto. Las ilustraciones pueden o no representar los ensambles reales; por lo tanto, no se recomienda utilizar este manual como una guía para ensamblar o desarmar el tractor. Algunos accesorios y piezas están dibujados en tamaños más grandes para identificarlos con mayor facilidad.

Cada tractor tiene su propio número de modelo.

El número de modelo del tractor se encuentra en el guardabarros debajo del asiento.

Cuando haga el pedido de una pieza, siempre brinde la siguiente información:

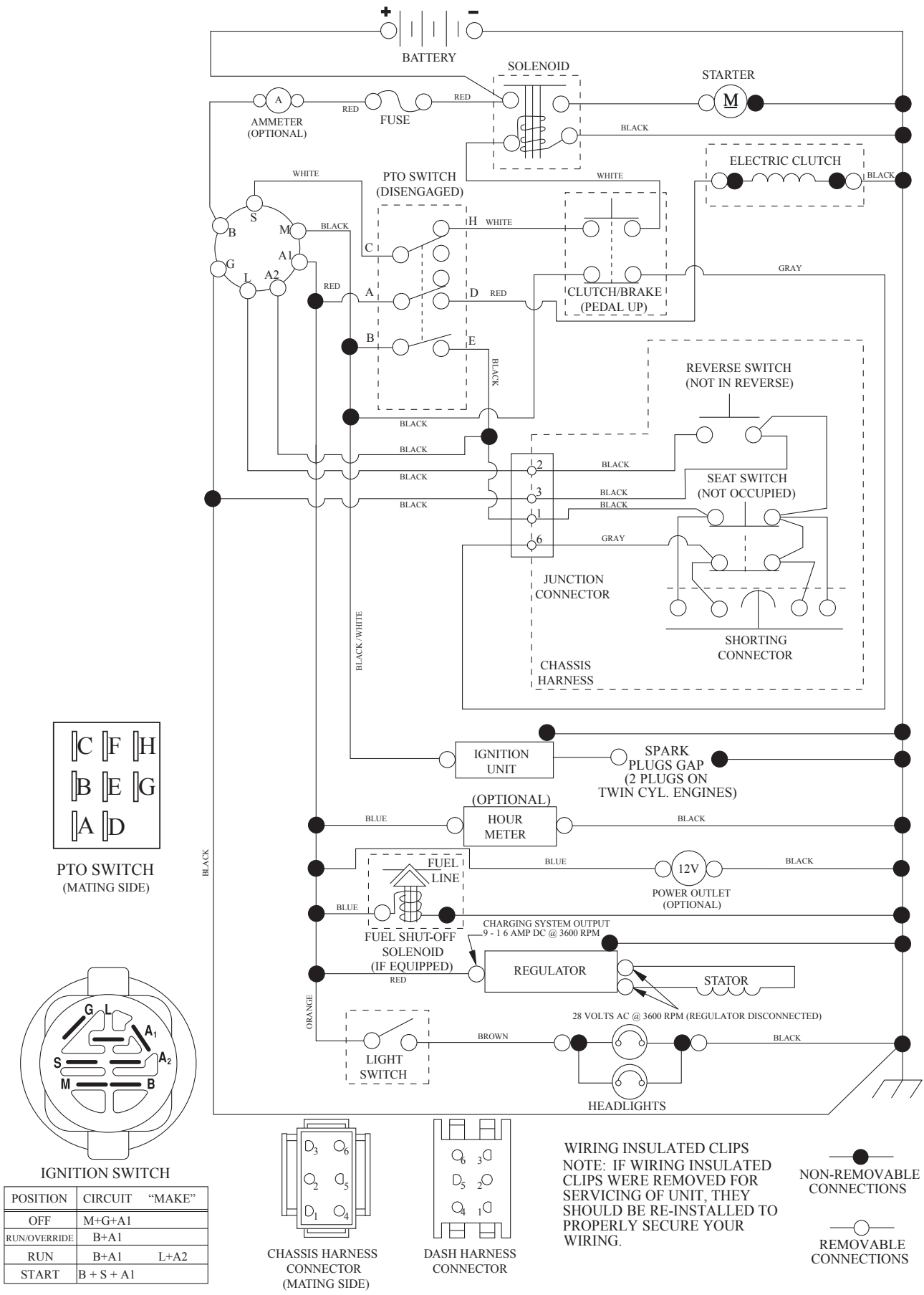
- Producto: "TRACTOR"
- NÚMERO DE MODELO: "LGT24K54" (96043012702)"
- Número de pieza
- Descripción de la pieza

ÍNDICE

DIAGRAMA.....	19
DIAGRAMA ELÉCTRICO	20-21
CHASIS.....	22-23
TRANSMISIÓN	24-25
MOTOR.....	26-27
DIRECCIÓN	28-29
PLATAFORMA DE LA CORTADORA DE CÉSPED.....	30-21
ELEVACIÓN DE LA CORTADORA DE CÉSPED.....	32
ASIENTO.....	33
CALCOMANÍAS.....	34

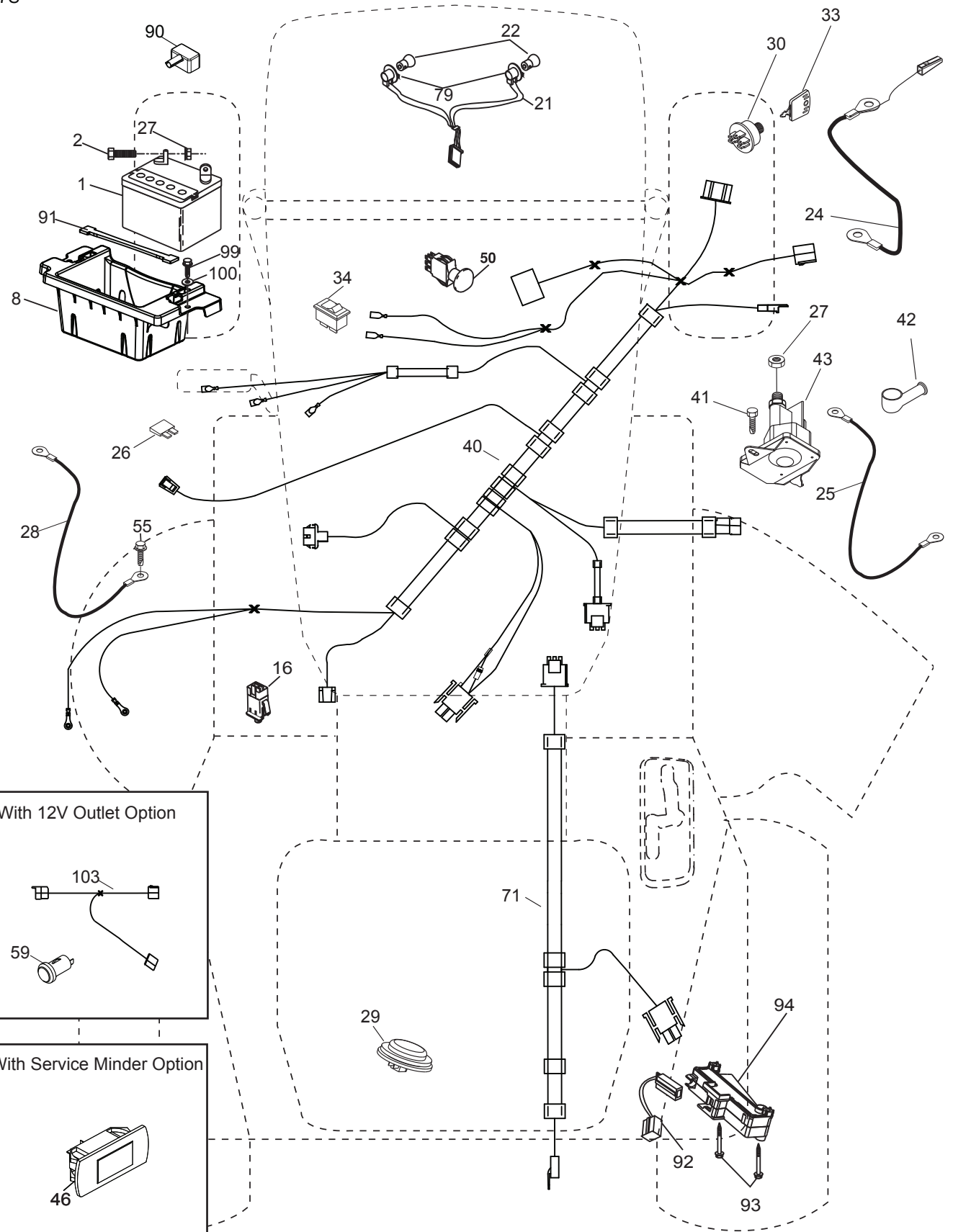
TRACTOR - MODEL NO. LGT24K54 (96043012702), PRODUCT NO. 960 43 01-27 SCHEMATIC

SCH12



TRACTOR - MODEL NO. LGT24K54 (96043012702), PRODUCT NO. 960 43 01-27
ELECTRICAL

T07S



With 12V Outlet Option

59

103

With Service Minder Option

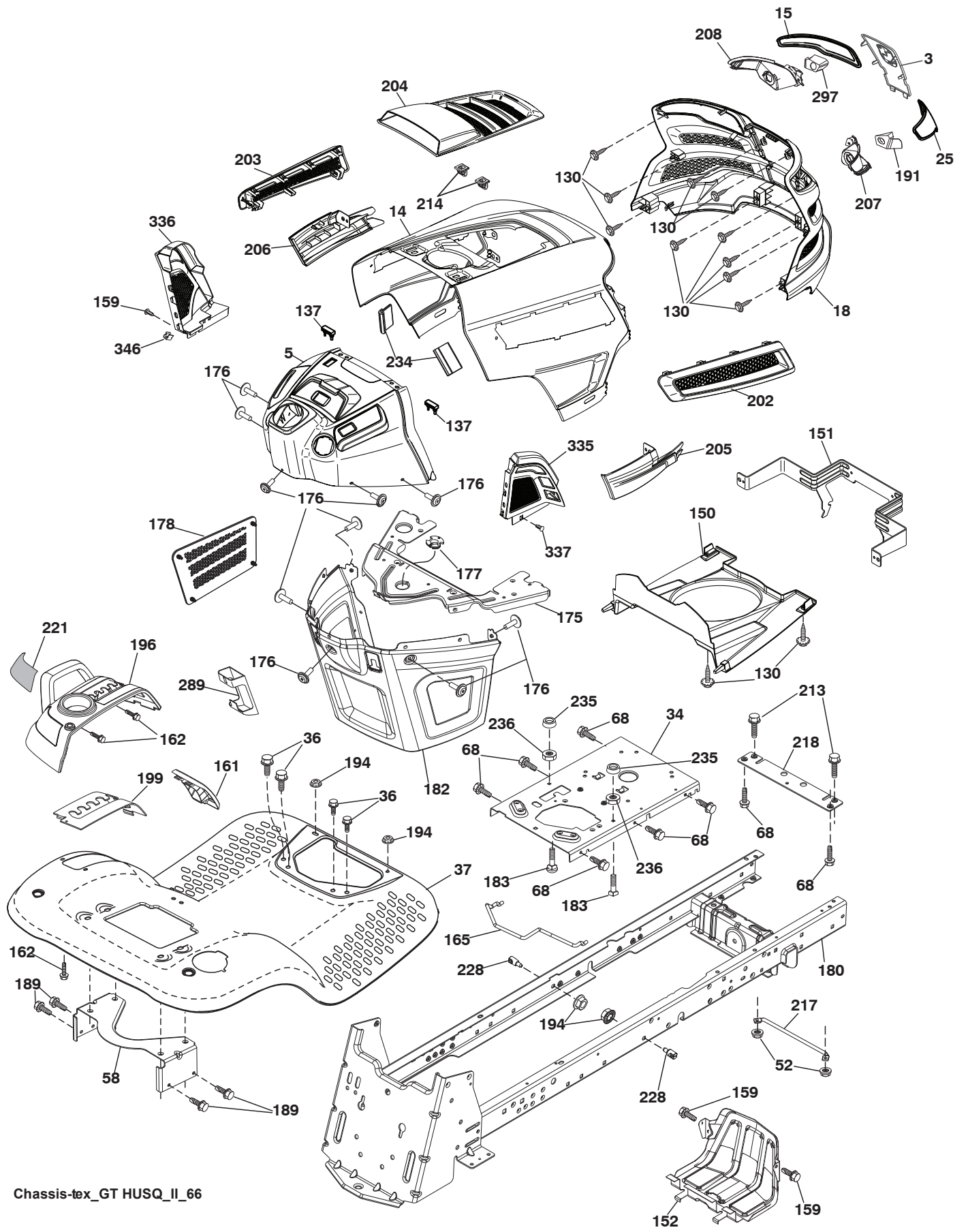
46

**TRACTOR - MODEL NO. LGT24K54 (96043012702), PRODUCT NO. 960 43 01-27
ELECTRICAL**

KEY NO.	PART NO.	DESCRIPTION
1	532 16 34-65	Battery
2	874 76 04-12	Bolt Hex Hd 1/4-20 unc x 3/4
8	532 18 64-91	Battery Box
16	532 17 61-38	Switch Interlock
21	532 40 02-52	Harness Socket Light
22	532 00 41-52	Bulb, Light # 1156
24	532 40 02-53	Cable Battery
25	532 41 28-95	Cable Starter
26	532 17 51-58	Fuse
27	873 51 04-00	Nut Keps Hex 1/4-20 unc
28	532 14 54-91	Cable Ground 21" Blk 6 Ga.
29	532 40 15-45	Switch Seat
30	532 19 33-50	Switch Ign
33	532 41 19-33	Key/Chain
34	532 11 07-12	Switch Light/Reset
40	532 40 11-04	Harness Ign. Dash
41	817 72 04-08	Screw Thd Cut 1/4-20 x 1/2
42	532 13 15-63	Cover Terminal Red
43	532 19 25-07	Solenoid
46	532 40 17-63	Gauge Hourmeter
50	532 17 46-51	Switch PTO
55	817 06 05-12	Screw Thdrol 5/16-18 x 3/4
59	532 40 03-03	Outlet 12-Volt
71	532 19 42-76	Harness Ign Chassis
79	532 17 52-42	Socket Asm Bulb Twistlock
90	532 43 53-95	Cover Terminal Battery
91	532 19 02-70	Strap Battery
92	532 19 66-15	Harness Pigtail Console ROS
93	532 19 25-40	Screw Plastite 10-14 x 2.0
94	532 19 18-34	Module Reverse ROS
99	817 67 04-12	Screw Hexwsh Thdrol 1/4-20 x 3/4
100	819 09 14-16	Washer 9/32 x 7/8 x 16 Ga.
103	532 40 79-62	Harness Pigtail 12V Outlet

NOTE: All component dimensions given in U.S. inches
1 inch = 25.4 mm

**TRACTOR - MODEL NO. LGT24K54 (96043012702), PRODUCT NO. 960 43 01-27
CHASSIS**



Chassis-~~tex~~_GT HUSQ_II_66

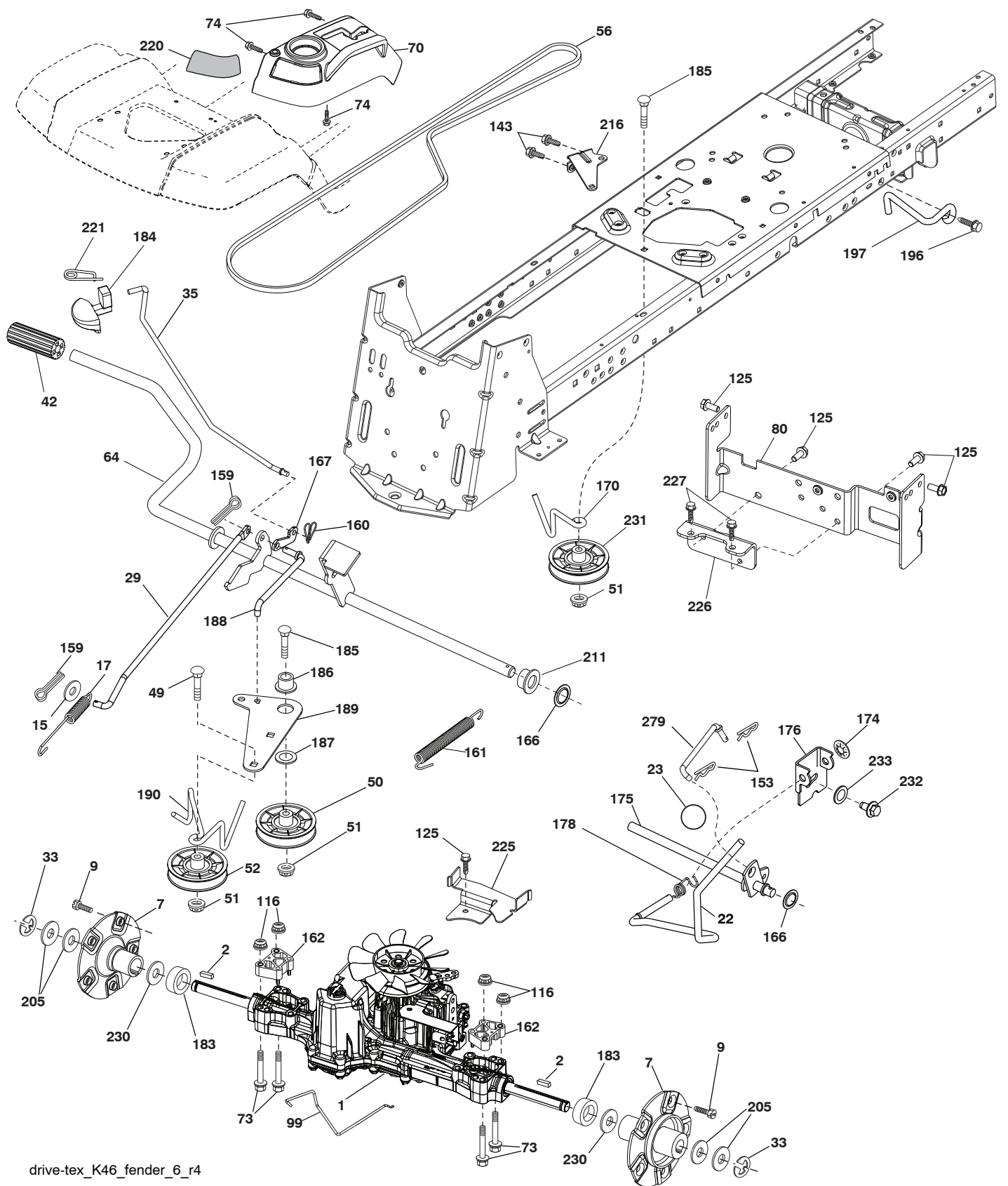
**TRACTOR - MODEL NO. LGT24K54 (96043012702), PRODUCT NO. 960 43 01-27
CHASSIS**

KEY NO.	PART NO.	DESCRIPTION
3	532 43 97-52	Applique
5	532 43 74-72	Dash
14	532 44 11-77	Hood
15	532 43 97-33	Lens LH
18	532 43 77-62	Grille
25	532 44 33-85	Lens RH
34	532 19 61-25	Plate Engine
36	817 06 05-12	Screw 5/16-18 x 3/4
37	532 44 12-08	Fender
52	873 68-05-00	Nut Crown Lock 5/16-18
58	532 19 43-14	Bracket Fender
68	817 49 05-08	Screw 5/16-18 x 1/2
130	532 41 63-58	Screw #10 x 0.750 BOS Thread
137	532 40 75-90	Bumper Dash
150	532 43 97-74	Duct Air
151	532 43 66-70	Bracket Pivot
152	532 43 98-70	Shield Browning/Debris
159	817 00 06-12	Screw 3/8-16 x 3/4
161	532 43 99-29	Console Fuel Window
162	532 14 24-32	Screw Hex Wsh Hi-Lo 1/4 x 1/2
165	532 19 68-26	Bracket Support Tank
175	532 19 63-04	Crossmember
176	532 40 07-76	Screw 10-24 x 5/8 Wshd Qdrx
177	532 19 52-27	Bushing Steering
178	532 19 97-82	Cargo Asm. Net
180	532 19 54-77	Chassis
182	532 40 68-59	Dash Lower
183	874 52 05-20	Bolt 5/16-18 x 1-1/4
189	817 00 05-12	Screw 5/16-18 x 3/4
191	532 43 74-55	Insert Reflective RH

KEY NO.	PART NO.	DESCRIPTION
194	873 90 05-00	Nut Lock 5/16-18
196	532 43 97-16	Console Asm. Deck Lift
199	532 19 82-59	Plate Deck Lift
202	532 43 97-28	Vent Side Hood RH
203	532 43 97-27	Vent Side Hood LH
204	532 43 57-14	Vent Asm Hood Top
205	532 43 97-30	Skirt Hood Side RH
206	532 43 97-29	Skirt Hood Side LH
207	532 43 97-34	Bezel RH
208	532 43 97-35	Bezel LH
213	874 76 05-12	Bolt Hex Hd 5/16-18 unc x 3/4
214	532 19 91-45	Clip Retainer
217	532 40 91-67	Rod Pivot
218	532 19 63-95	Hood Stop X Piece
221	532 19 89-09	Reflector LH
228	532 19 51-61	Stud Fastener
234	532 40 47-42	Bumper Hood
235	532 40 61-29	Spacer Fender
236	873 93 05-00	Nut Center Lock 5/16-18 unc
289	532 40 35-71	Plug Cruise/Phone
297	532 43 74-56	Insert Reflective LH
335	532 43 98-47	Cover RH Lower Close Out
336	532 44 53-09	Cover LH Lower Close Out
337	532 43 81-37	Clip
346	532 12 64-71	Clip Insulator
- -	532 40 09-44	Kit Bumper

NOTE: All component dimensions given in U.S. inches
1 inch = 25.4 mm

**TRACTOR - MODEL NO. LGT24K54 (96043012702), PRODUCT NO. 960 43 01-27
DRIVE**



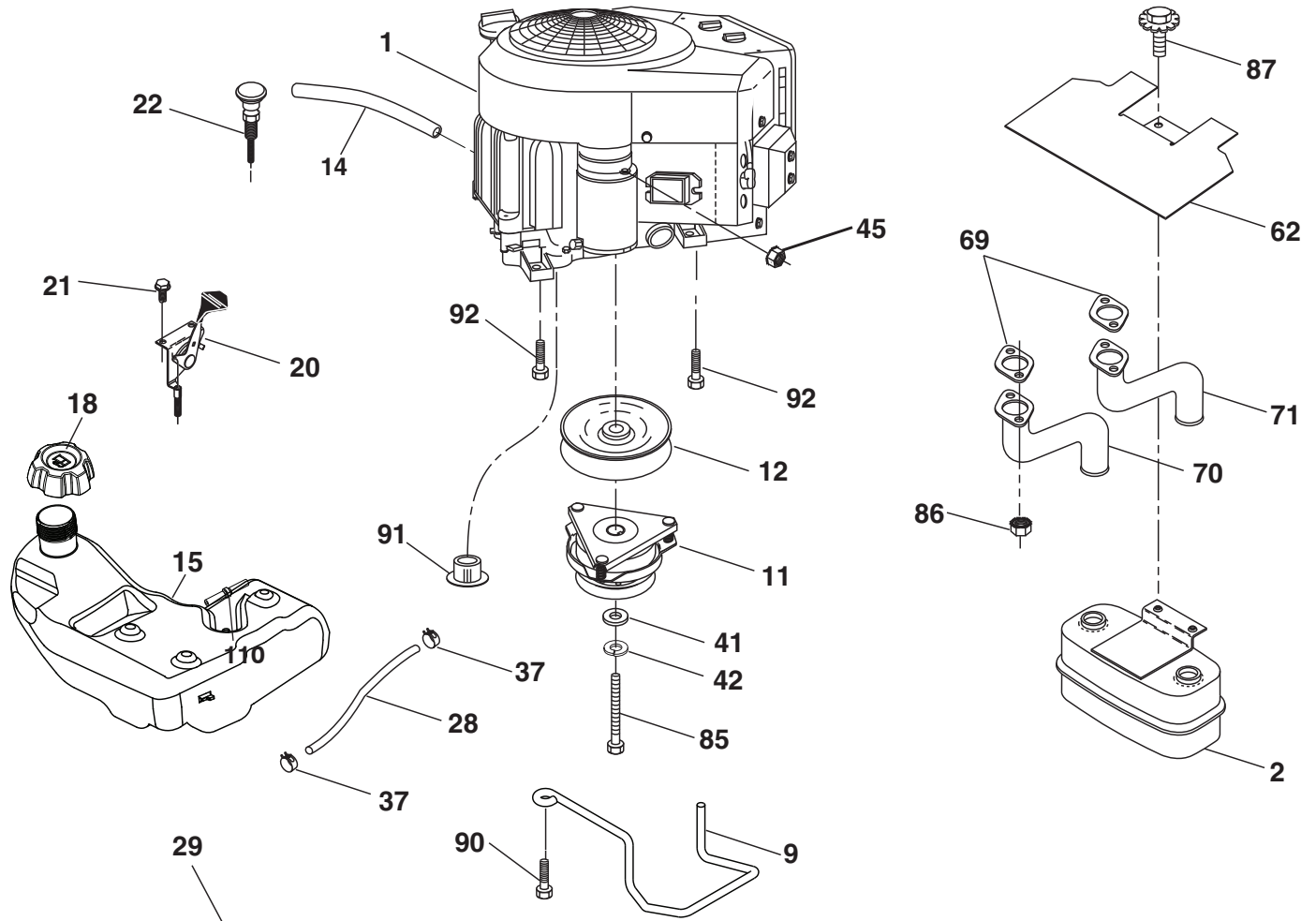
drive-tex_K46_fender_6_r4

**TRACTOR - MODEL NO. LGT24K54 (96043012702), PRODUCT NO. 960 43 01-27
DRIVE**

KEY NO.	PART NO.	DESCRIPTION	KEY NO.	PART NO.	DESCRIPTION
1	-----	Transaxle, TUFFTORQ K46 AW (406206) (Order parts from trans-axle manufacturer.)	167	532 40 52-57	Latch Brake Parking
2	532 18 62-11	Key	170	532 41 34-30	Keeper Belt Centerspan
7	532 19 98-44	Hub Asm. Wheel Rear 22" TXGT.06	174	532 19 72-89	Nut Push
9	532 14 00-80	Bolt Hub Wheel Rear	175	532 40 62-08	Shaft Asm Shift
15	819 13 13-16	Washer 13/32 x 13/16 x 16 Ga.	176	532 19 62-14	Arm Clevis Rod Shift
17	532 41 36-78	Spring Brake	178	532 19 74-56	Spring Shift
22	532 19 73-29	Rod Shift	183	532 40 04-24	Spacer Split
23	532 14 08-45	Knob	184	532 44 14-55	Handle Parking Brake
29	532 40 38-06	Rod, Brake	185	872 11 06-22	Bolt Rdhd Sqnk 3/8-16 x 2-3/4 Gr. 5
33	812 00 00-01	Ring E	186	532 19 43-21	Spacer Retainer
35	532 43 54-86	Rod Brake Park	187	819 13 32-10	Washer
42	532 12 48-72	Cover Foot Pedal	188	532 19 43-23	Link Clutch Ground Drive
49	872 11 06-14	Bolt	189	532 19 43-17	Bellcrank Ground Drive
50	532 19 43-27	Pulley Idler Flat	190	532 19 43-18	Keeper Bellcrank Ground Drive
51	873 90 06-00	Lock Nut 3/8-16	196	817 00 06-16	Screw 3/8-16 x 1
52	532 19 43-26	Idler V-Groove 910" Offset	197	532 19 97-69	Link Clutch Anti-Rotation
56	532 13 09-69	V-Belt Drive	205	532 12 17-48	Washer
64	532 19 62-00	Shaft Asm. Pedal Brake Control	211	532 19 62-12	Bushing Brake Shaft
70	532 43 96-60	Console Asm.	216	532 19 61-31	Bracket Pulley Idler
73	874 49 05-60	Bolt Hex Flghd 5/16-18 x 3.75	220	532 19 89-08	Reflector RH
74	532 14 24-32	Screw 1/4 x 1/2	221	532 40 31-87	Retainer Spring Clip Handle
80	532 44 06-19	Strap Torque	225	532 40 33-19	Keeper Belt Trans.
99	532 41 57-43	Rod Bypass	226	532 40 08-31	Bracket Mount Torque
116	873 90 05-00	Nut Lock Hex Flange 5/16-18	227	817 49 05-12	Screw 5/16-18 x 3/4
125	817 00 05-12	Screw 5/16-18 x 3/4	230	532 18 89-67	Washer Hardened
143	817 49 05-08	Screw 5/16-18 x 1/2	231	532 40 72-87	Idler V-Groove 1.688" Offset
153	532 12 47-88	Retainer Spring	232	874 78 07-16	Bolt 7/16-14 x 1 Gr. 5
159	876 02 04-12	Pin Cotter 1/8 x 3/4	233	532 40 52-96	Washer Serrated
160	532 16 94-84	Retainer Clip	279	532 40 62-07	Link Shift
161	532 10 57-09	Spring Return Clutch			
162	532 19 57-85	Spacer Transaxle 18 and 22			
166	532 42 91-64	Nut Push			

NOTE: All component dimensions given in U.S. inches
1 inch = 25.4 mm

**TRACTOR - MODEL NO. LGT24K54 (96043012702), PRODUCT NO. 960 43 01-27
ENGINE**



SPARK ARRESTER KIT

engine-tex_Kawa-2cyl_7

**TRACTOR - MODEL NO. LGT24K54 (96043012702), PRODUCT NO. 960 43 01-27
ENGINE**

KEY NO.	PART NO.	DESCRIPTION
1	- - - - -	Engine Kawa Model No. FR730-DS04 (445363) (Order parts from engine manufacturer.)
2	532 14 97-23	Muffler
9	532 19 43-20	Keeper Belt Engine
11	532 17 93-35	Clutch Electric
12	532 19 43-43	Pulley Engine
14	532 14 84-56	Tube Drain Oil Easy
15	532 43 80-81	Tank Fuel 4.0
18	532 43 92-08	Cap Fuel
20	532 17 83-85	Control Throttle
21	532 41 63-58	Screw #10 x 0.750 BOS Thread
22	532 19 15-96	Control Choke
28	532 40 11-35	Fuel Line
29	532 13 71-80	Spark Arrester Kit
37	532 12 34-87	Clamp Hose
41	532 12 61-97	Washer 1-1/2 OD x 15/32 ID x .250
42	810 04 07-00	Washer Lock 7/16
45	873 51 04-00	Nut Keps Hex 1/4-20 unc
62	532 43 40-17	Shield Heat Muffler
69	532 17 81-51	Gasket
70	532 42 47-65	Tube Exhaust LH
71	532 42 47-66	Tube Exhaust RH
85	532 17 99-53	Bolt Hex 7/16-20 x 3.75 Gr. 5
86	532 18 43-62	Nut Hex Flange Toplock M8-1.25
87	532 19 82-39	Bolt 5/16-18 unc x 1 w/Sems
90	817 00 06-16	Screw 3/8-16 x 1
91	532 18 74-95	Bushing
92	817 12 06-16	Screw 3/8-16 x 1
110	532 41 41-18	Valve Anti-Slosh

NOTE: All component dimensions given in U.S. inches
1 inch = 25.4 mm

For engine service and replacement parts, call the toll free number for your engine manufacturer listed below:

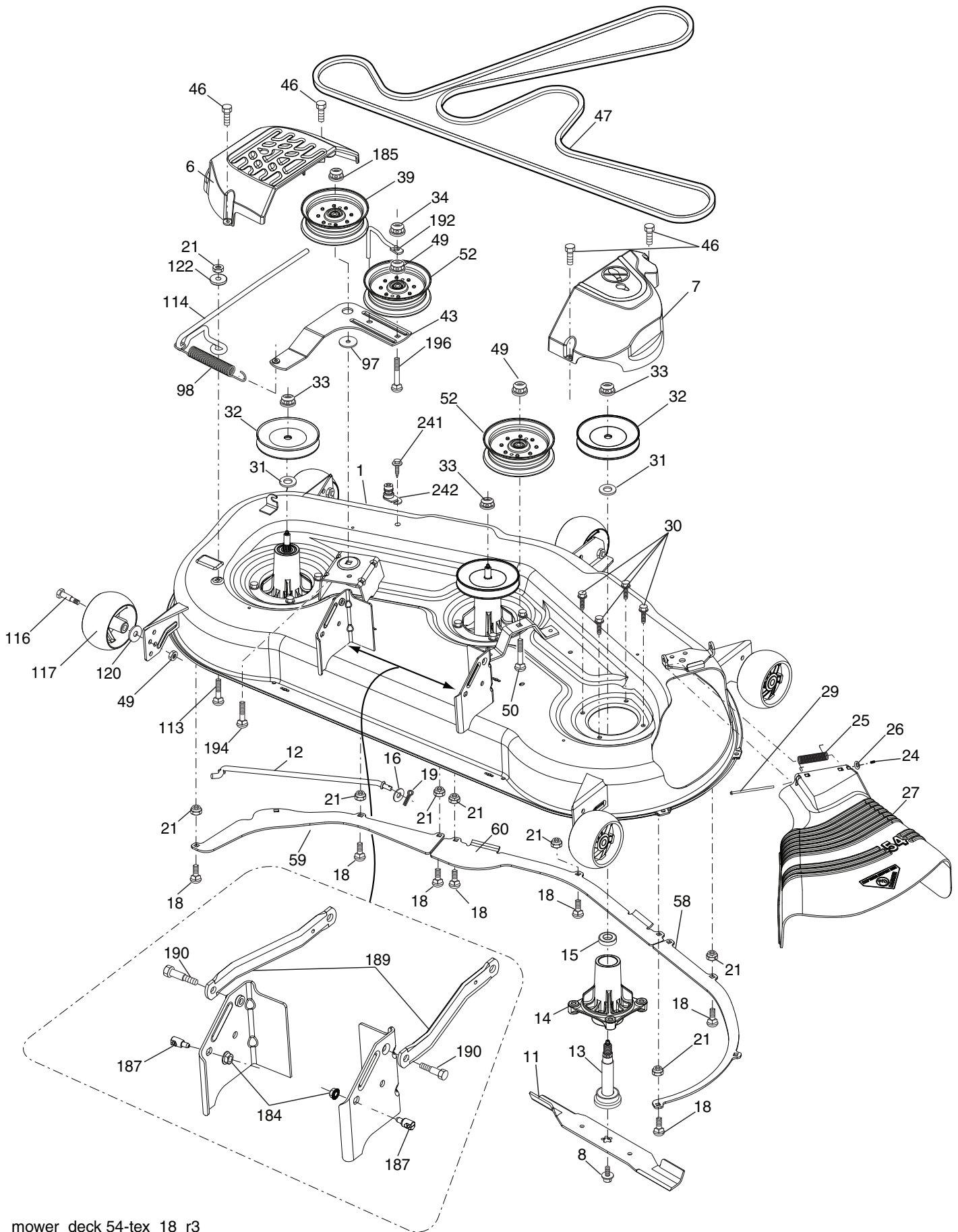
Kawasaki 1-949-460-5688

**TRACTOR - MODEL NO. LGT24K54 (96043012702), PRODUCT NO. 960 43 01-27
STEERING ASSEMBLY**

KEY NO.	PART NO.	DESCRIPTION
1	532 43 97-40	Wheel, Steering
2	532 19 59-68	Axle Asm., Front
4	532 40 30-89	Spindle Asm., LH
5	532 40 30-90	Spindle Asm., RH
6	532 12 49-31	Bearing, Race Thrust Harden
7	532 12 17-48	Washer 25/32 x 1-5/8 x 16 Ga.
8	812 00 00-29	Ring, Klip #T5304-75
9	532 12 12-32	Cap, Spindle
13	532 12 17-49	Washer 25/32 x 1-1/4 x 16 Ga.
14	810 04 06-00	Washer, Lock Hvy Hlcl Spr 3/8
15	873 54 06-00	Nut, Crown Lock 3/8-24 unf
16	532 40 82-19	Shaft Steering
19	532 19 47-29	Plate Steering
21	532 18 67-37	Adapter, Wheel Steering
22	532 42 05-37	Steering Support Lower
26	532 43 97-43	Insert, Wheel Steering
28	817 00 06-12	Screw 3/8-16 x 3/4
35	532 19 47-32	Gear, Sector Plate
45	819 18 38-12	Washer 9/16 x 2-3/8 x 12 Ga.
51	873 94 08-00	Nut Hex Jam Toplock 1/2-20 unf
53	532 18 89-67	Washer Hardened .793 x 1.637 x .060
57	532 19 72-46	Bracket Upstop
58	532 19 47-47	Bolt Shoulder Sector Pivot CFM
59	532 19 47-48	Washer Thrust Sector Steering
60	873 97 10-00	Nut Flange Lock 5/8-11
61	532 19 47-40	Draglink, LH
62	532 19 47-41	Draglink, RH
63	817 00 05-12	Screw 5/16-18 x 3/4
64	532 19 98-49	Retainer Clip Spring Steering
66	871 02 07-48	Bolt Hex Fghd 7/16-14 x 3 Serr
67	532 19 47-37	Bushing PM Front Axle
68	873 90 07-00	Nut Lock Flange 7/16-14 Gr. 5
69	532 19 91-62	Washer 1.5 x .505 x .118
70	532 19 61-97	Bracket Deck Susp. Front

NOTE: All component dimensions given in U.S. inches
1 inch = 25.4 mm

**TRACTOR - MODEL NO. LGT24K54 (96043012702), PRODUCT NO. 960 43 01-27
MOWER DECK**



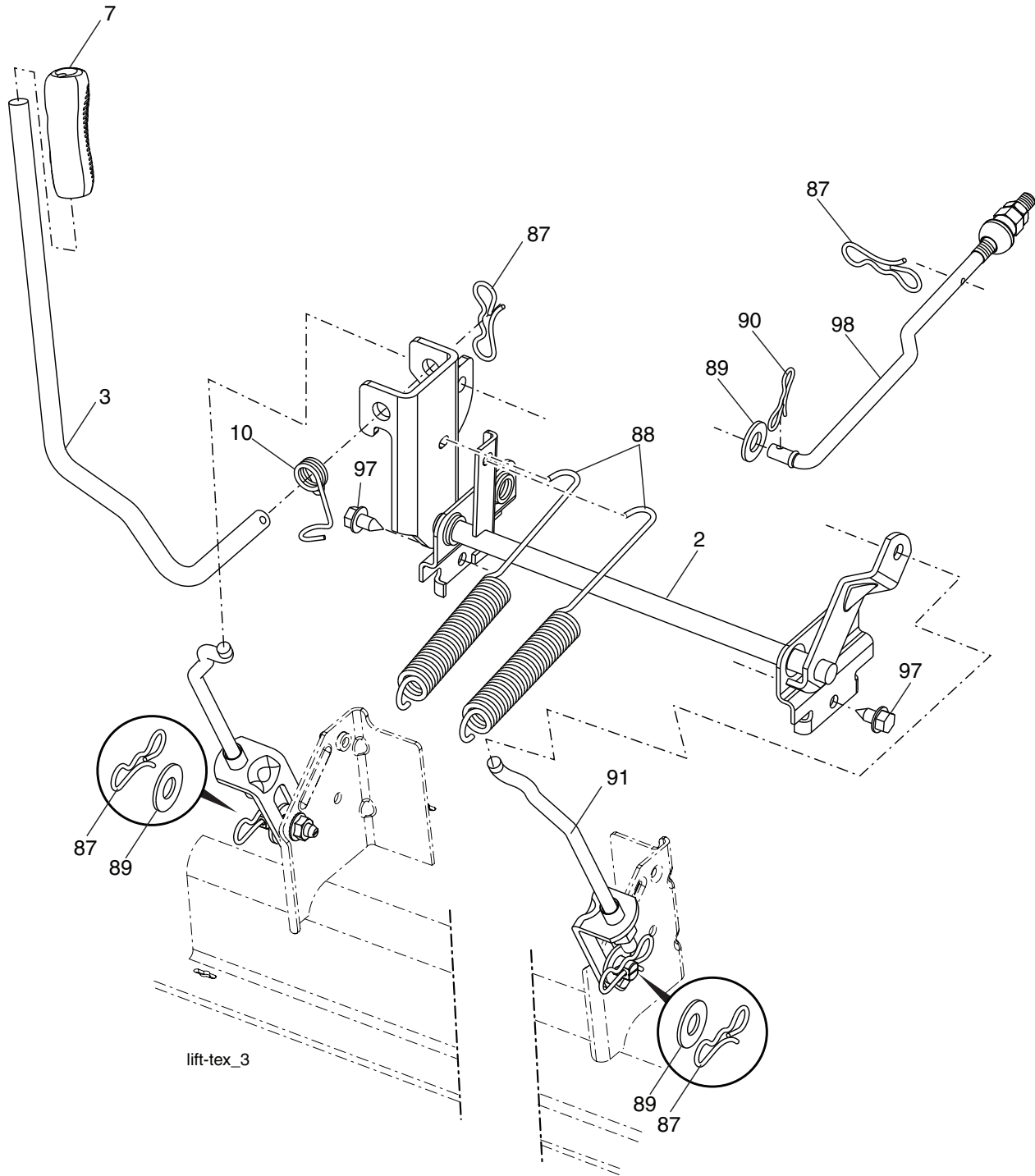
mower_deck 54-tex_18_r3

**TRACTOR - MODEL NO. LGT24K54 (96043012702), PRODUCT NO. 960 43 01-27
MOWER DECK**

KEY NO.	PART NO.	DESCRIPTION	KEY NO.	PART NO.	DESCRIPTION
1	532 44 15-47	Deck Weldment Mower	59	532 18 73-44	Baffle Left
6	532 19 60-66	Cover Mandrel LH	60	532 18 76-07	Baffle Center
7	532 19 71-81	Cover Mandrel RH	97	532 17 85-15	Washer Hardened
8	532 19 30-03	Bolt 7/16 Asm. Blade	98	532 19 61-05	Spring Drive
11	532 18 72-56	Blade Bagging	113	872 11 05-08	Bolt Rdhd Sqnk 5/16-18 x 3/4
12	532 40 48-51	Rod Anti-Sway	114	532 18 75-56	Rod Tension Relief
13	532 18 72-91	Shaft Asm. w/Lower Bearing	116	532 19 34-06	Bolt, Shoulder
14	532 18 72-81	Housing, Mandrel	117	532 17 48-73	Gauge Wheel
16	819 13 13-12	Washer 3/8	120	819 13 20-12	Washer 13/32 x 1-1/4 x 12 Ga.
15	532 11 04-85	Bearing, Ball, Mandrel	122	532 18 75-57	Bushing Tension Relief
18	872 14 05-05	Bolt Carriage 5/16-18 x 5/8	184	873 90 05-00	Nut Lock Hex Flange
19	532 19 42-08	Pin Cotter 5/16 Bowtie	185	873 90 07-00	Nut Lock Flange 7/16-14 Gr. 5
21	873 68 05-00	Nut, Crownlock 5/16-18 unc	187	532 19 51-61	Stud Fastener w/"D" Anti-Rotation
24	532 10 53-04	Cap Sleeve	189	532 19 51-85	Arm Susp. Mower Rear
25	532 17 81-02	Spring, Torsion	190	532 19 65-39	Bolt Shoulder
26	532 11 04-52	Nut, Push	192	532 19 84-68	Keeper Belt Idler
27	532 18 89-38	Deflector Shield	194	874 49 07-36	Bolt Hex Washer Head 7/16-24
29	532 13 14-91	Rod, Hinge	196	872 14 06-20	Bolt Rdhd 3/8-16 x 2-1/2 Gr. 5
30	532 17 39-84	Screw, Thdroll Washer Head	241	532 15 29-27	Screw #10-32.5 3/8 Flange
31	532 18 76-90	Washer, Spacer Mower Vented	242	532 41 55-98	Port Washout
32	532 15 35-35	Pulley, Mandrel	--	532 41 64-05	Coupling
33	532 40 02-34	Nut, Flg. Top Lock	--	532 18 72-92	Mandrel Asm. Service Mandrel Assembly (Includes housing, shaft assembly, and bearing only - pulley/nut/washer and blade bolt/washers not included)
34	873 68 06-00	Nut Crownlock 3/8-16 unc	--	532 43 29-07	Replacement Mower, Complete
39	532 19 73-80	Pulley, Idler, 4.50			
43	532 19 60-65	Arm, Idler			
46	532 13 77-29	Screw, Thdroll. 1/4-20 x 5/8			
47	532 19 61-03	Belt Deck Drive			
49	873 90 06-00	Nut, Lock Flg. 3/8-16 unc			
50	872 11 06-16	Bolt Rdhd Sqnk 3/8-16 unc x 2			
52	532 19 73-79	Pulley Idler			
58	532 18 73-42	Baffle Right			

NOTE: All component dimensions given in U.S. inches
1 inch = 25.4 mm

**TRACTOR - MODEL NO. LGT24K54 (96043012702), PRODUCT NO. 960 43 01-27
MOWER LIFT**

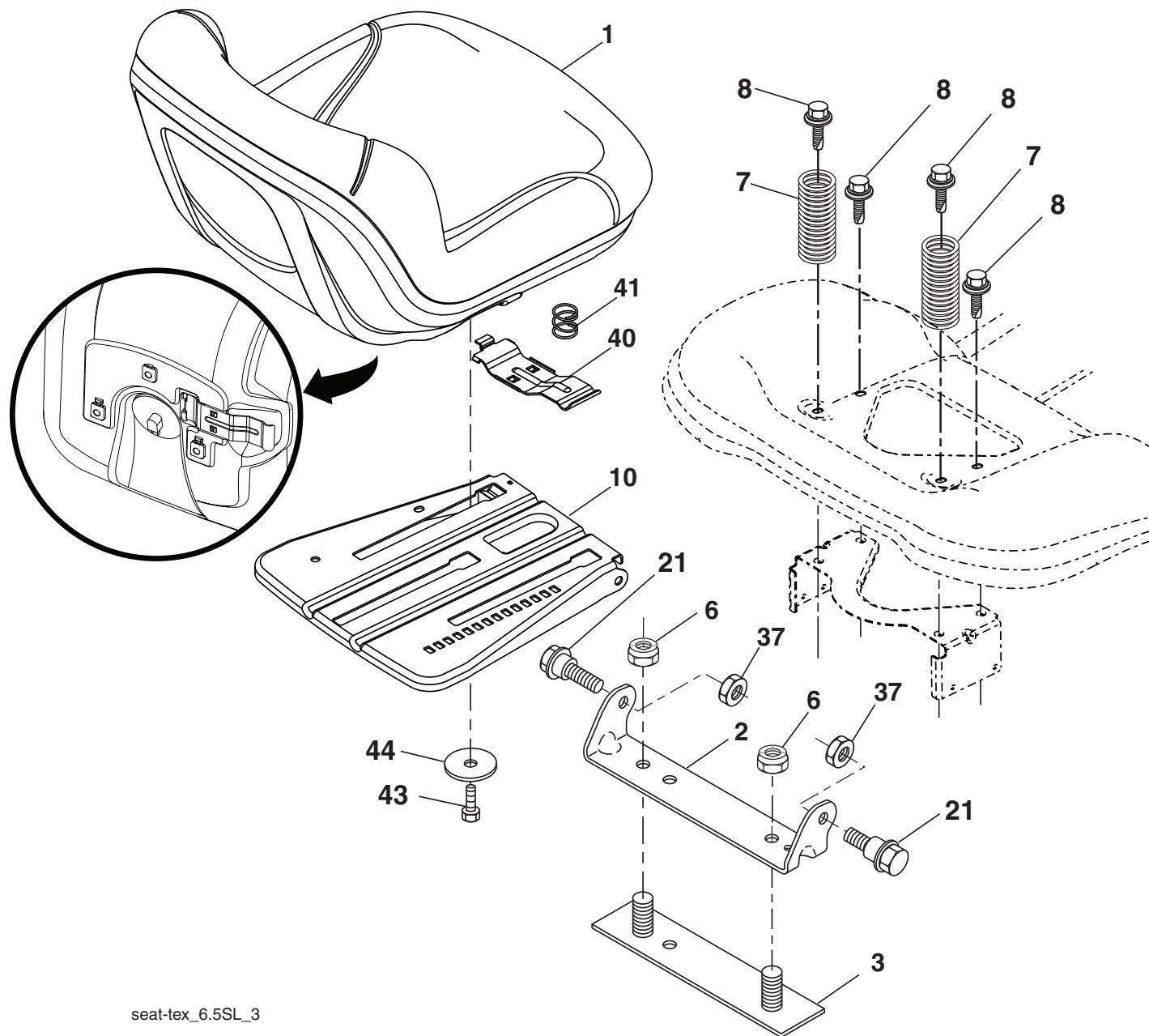


KEY NO.	PART NO.	DESCRIPTION
2	532 42 20-27	Shaft Asm., Lift
3	532 19 52-30	Lever Asm., Lift RH
7	532 41 15-55	Grip, Lever
10	532 19 63-14	Spring Torsion
87	532 19 42-09	Pin Cotter 7/16 Bow Tie Lock
88	532 19 53-04	Spring Lift Assist
89	819 19 19-12	Washer Clear Zinc

KEY NO.	PART NO.	DESCRIPTION
90	532 19 42-08	Pin Cotter 5/16 Bow Tie Lock
91	532 40 34-07	Link Lift Susp Mower Rear
97	817 00 06-12	Screw 3/8-16 x 3/4
98	532 19 52-64	Link Lift Susp. Front Mower

NOTE: All component dimensions given in U.S. inches
1 inch = 25.4 mm

**TRACTOR - MODEL NO. LGT24K54 (96043012702), PRODUCT NO. 960 43 01-27
SEAT ASSEMBLY**



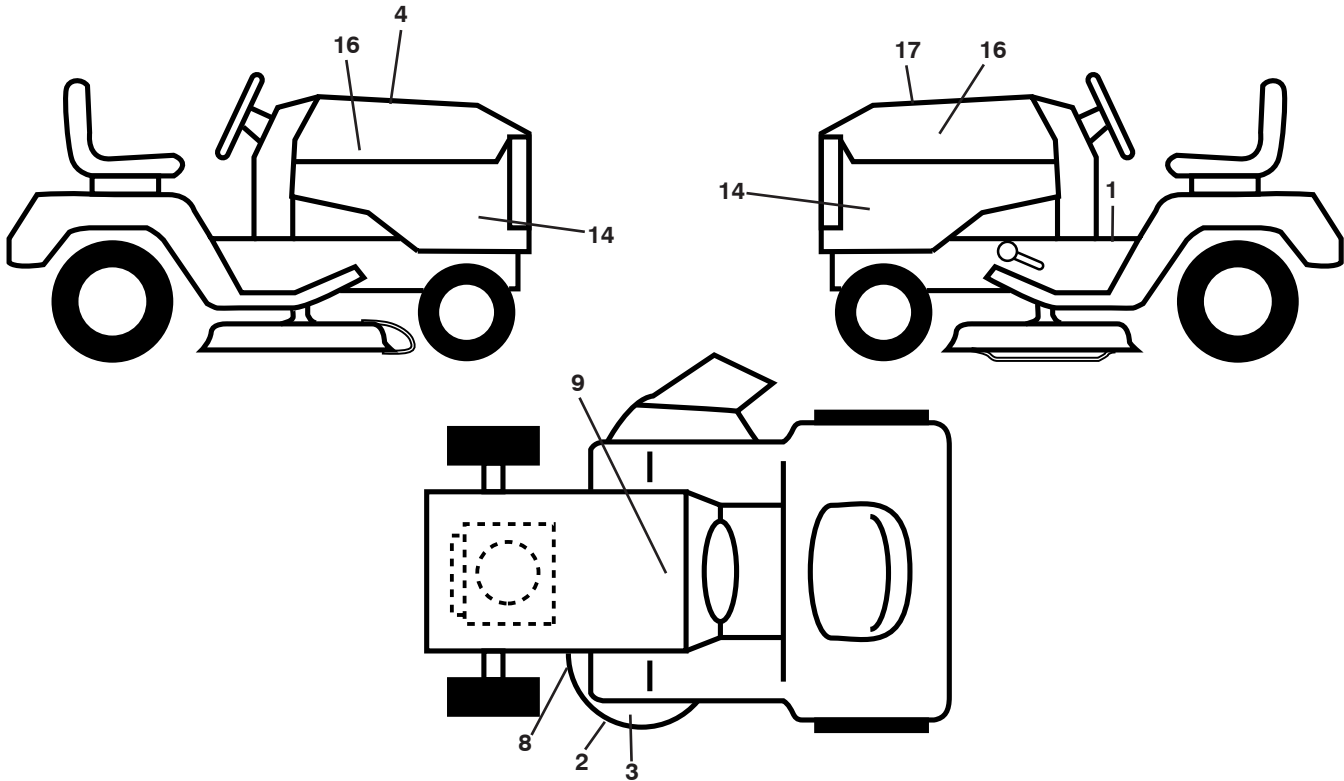
seat-tex_6.5SL_3

KEY NO.	PART NO.	DESCRIPTION
1	532 43 48-22	Seat
2	532 18 01-66	Bracket Pivot Fender
3	532 14 06-75	Strap, Asm Fender
6	873 80 06-00	Nut, Lock w/Ins. 3/8-16 unc
7	532 12 41-81	Spring, Seat Cprsn
8	532 17 18-77	Bolt 5/16-18 unc x 3/4 w/Sems
10	532 19 69-77	Pan, Seat
21	532 17 18-52	Bolt, Shoulder 5/16-18

KEY NO.	PART NO.	DESCRIPTION
37	873 80 05-00	Nut, Lock 5/16-18 unc
40	532 19 76-61	Handle Slide Seat
41	532 19 82-00	Spring Latch Seat
43	874 76 06-12	Bolt 3/8-16 x 3/4
44	819 13 38-12	Washer 13/32 x 2-3/8 x 12 Ga.

NOTE: All component dimensions given in U.S. inches
1 inch = 25.4 mm

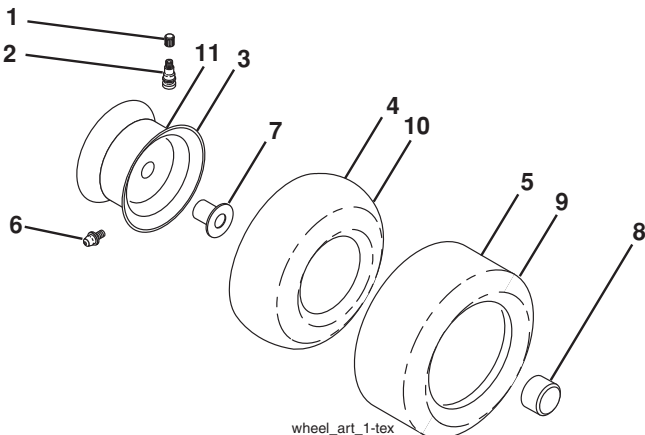
**TRACTOR - MODEL NO. LGT24K54 (96043012702), PRODUCT NO. 960 43 01-27
DECALS**



KEY NO.	PART NO.	DESCRIPTION
1	532 41 16-57	Decal, Fender Warning
2	532 17 05-63	Decal, Mower
3	532 17 84-55	Decal, Mower Caution
4	532 42 38-29	Decal, Hood Cust Resp
8	532 19 87-85	Decal, Mower Sch.
9	532 14 50-05	Decal, Battery Dnge/Poi
14	532 44 04-24	Decal, Panel Side

KEY NO.	PART NO.	DESCRIPTION
16	532 42 91-96	Decal, Hood Logo
17	532 43 84-83	Decal, Replacement
--	532 16 69-60	Decal, Bypass
--	532 43 98-82	Pad, Footrest, LH
--	532 44 15-42	Pad, Footrest, RH
--	532 44 17-90	Manual, Operator's (Eng/Span)
--	532 44 56-81	Manual, Parts (Eng/Span)

WHEELS AND TIRES

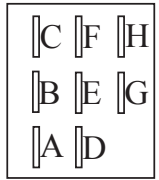
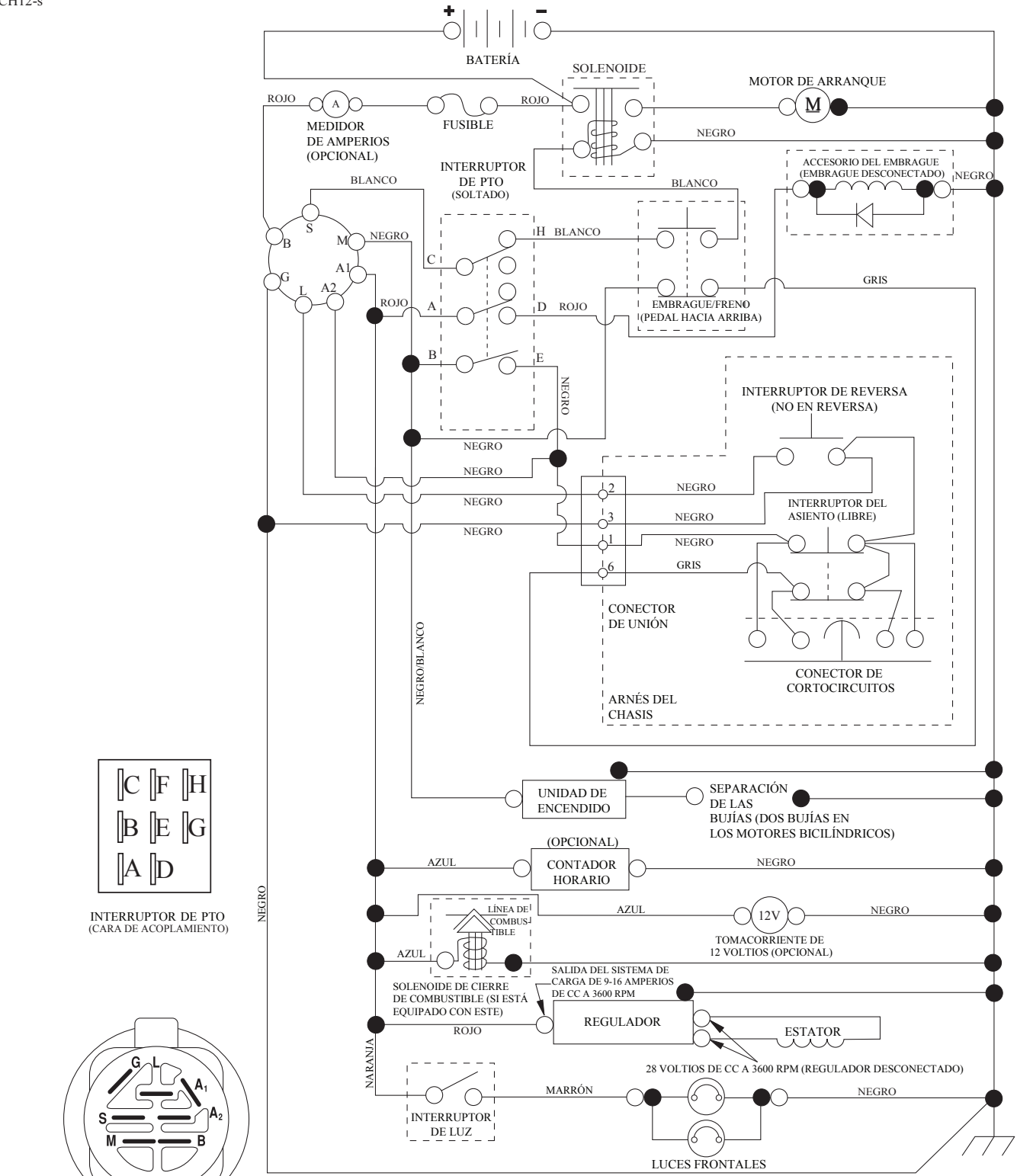


KEY NO.	PART NO.	DESCRIPTION
1	532 05 91-92	Cap, Valve, Tire
2	532 06 51-39	Stem, Valve
3	532 18 18-39	Rim Assembly, Front
4	532 00 81-34	Tube, Front (Service Item Only)
5	532 10 62-30	Tire, Front
6	532 12 49-57	Fitting, Grease (Front Wheel Only)
7	532 12 49-59	Bearing, Flange (Front Wheel Only)
8	532 17 50-39	Cap, Axle
9	532 18 47-08	Tire, Rear
10	532 00 71-54	Tube, Rear (Service Item Only)
11	532 40 17-82	Rim Assembly, Rear
--	532 14 43-34	Sealant, Tire (10 oz. Tube)

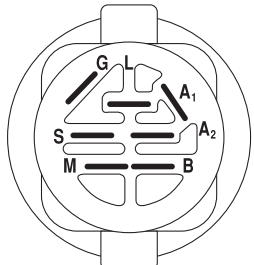
NOTE: All component dimensions given in U.S. inches
1 inch = 25.4 mm

TRACTOR MODELO NO. LGT24K54 (96043012702), PRODUCTO NO. 960 43 01-27 DIAGRAMA

SCH12-s

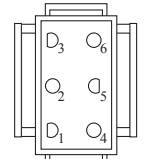


INTERRUPTOR DE PTO (CARA DE ACOPLAMIENTO)

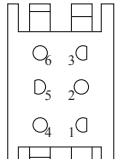


INTERRUPTOR DE ENCENDIDO

POSICIÓN	CIRCUITO «MARCA»
APAGADO	M+G+A1
PONER EN FUNCIONAMIENTO ANULAR	B+A1
PONER EN FUNCIONAMIENTO	B+A1 L+A2
ARRANCAR	B + S + A1



CONEXIÓN DEL ARNÉS DEL CHASIS (LATERAL QUE COINCIDA)

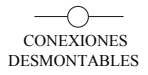


CONEXIÓN PARA EL ARNÉS DEL TABLERO

NOTA SOBRE LAS ABRAZADERAS DE AISLAMIENTO DEL CABLEADO: SI SE QUITAN LAS ABRAZADERAS DE AISLAMIENTO DEL CABLEADO PARA HACER EL MANTENIMIENTO DE LA UNIDAD, SE LAS DEBERÁ INSTALAR NUEVAMENTE PARA PROTEGER EL CABLEADO ADECUADAMENTE.

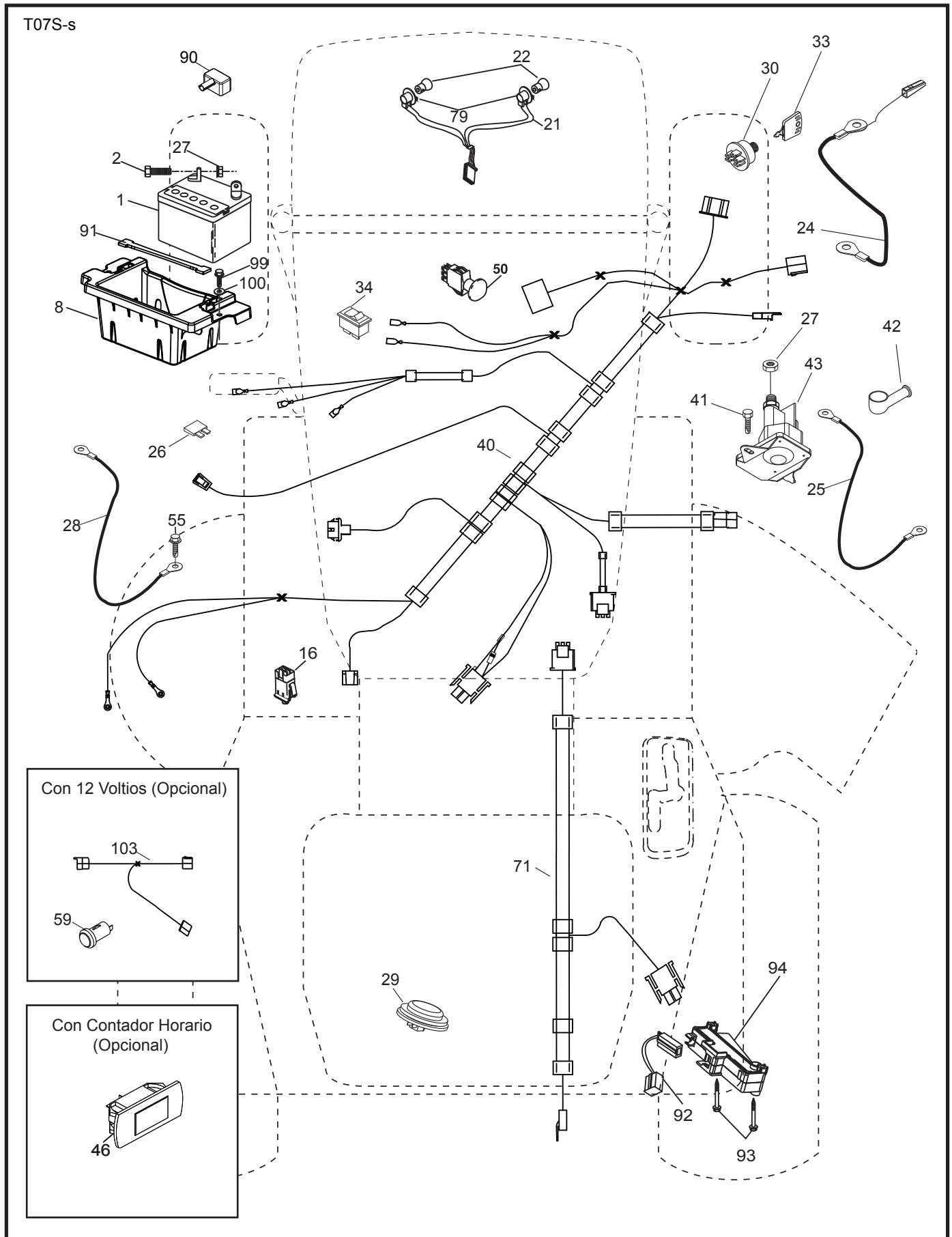


CONEXIONES NO DESMONTABLES



CONEXIONES DESMONTABLES

**TRACTOR MODELO NO. LGT24K54 (96043012702), PRODUCTO NO. 960 43 01-27
DIAGRAMA ELÉCTRICO**

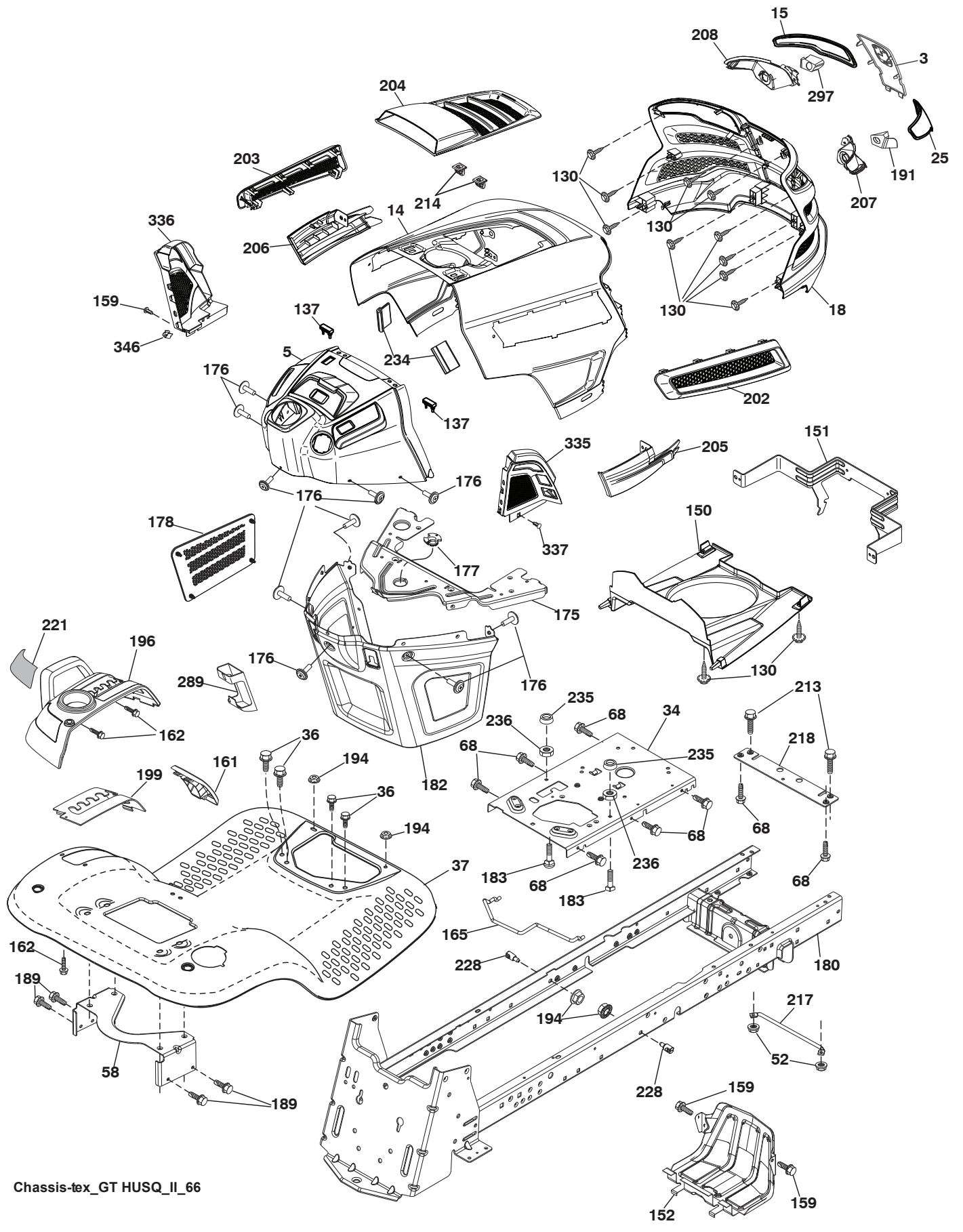


**TRACTOR MODELO NO. LGT24K54 (96043012702), PRODUCTO NO. 960 43 01-27
DIAGRAMA ELÉCTRICO**

CÓDIGO NO.	PIEZA NO.	DESCRIPCIÓN
1	532 16 34-65	Batería
2	874 76 04-12	Perno de cabeza hexagonal de 1/4-20 x 3/4
8	532 18 64-91	Caja de la batería
16	532 17 61-38	Interruptor corta corriente a presión
21	532 40 02-52	Cableado del enchufe para la luz
22	532 00 41-52	Bombilla de luz
24	532 40 02-53	Cable
25	532 41 28-95	Cable
26	532 17 51-58	Fusible
27	873 51 04-00	Tuerca hexagonal Keps de 1/4-20 unc
28	532 14 54-91	Cable a tierra
29	532 40 15-45	Interruptor del asiento
30	532 19 33-50	Interruptor de encendido
33	532 41 19-33	Llave/cadena
34	532 11 07-12	Interruptor de luz/de restauración
40	532 40 11-04	Cableado del tablero de encendido
41	817 72 04-08	Tornillo
42	532 13 15-63	Cubierta de la terminal
43	532 19 25-07	Solenoides
46	532 40 17-63	Indicador SRVCMNDR HRMTR
50	532 17 46-51	Interruptor PTO
55	817 06 05-12	Tornillo de 5/16-18 x 3/4
59	532 40 03-03	Enchufe, 12V
71	532 19 42-76	Cableado de encendido chasis
79	532 17 52-42	Enchufe de cierre por torsión del ensamble de la bombilla
90	532 43 53-95	Tapa de los bornes de la batería
91	532 19 02-70	Correa de la batería
92	532 19 66-15	Cableado de interruptor retroceder
93	532 19 25-40	Tornillo 10-14 x 2.00
94	532 19 18-34	Módulo retroceder ROS
99	817 67 04-12	Tornillo 1/4-20 x 3/4
100	819 09 14-16	Arandela
103	532 40 79-62	Cable 12V

NOTA: Las dimensiones de todos los componentes están expresadas en pulgadas americanas.
1 pulgada = 25,4 mm

TRACTOR MODELO NO. LGT24K54 (96043012702), PRODUCTO NO. 960 43 01-27
 CHASIS



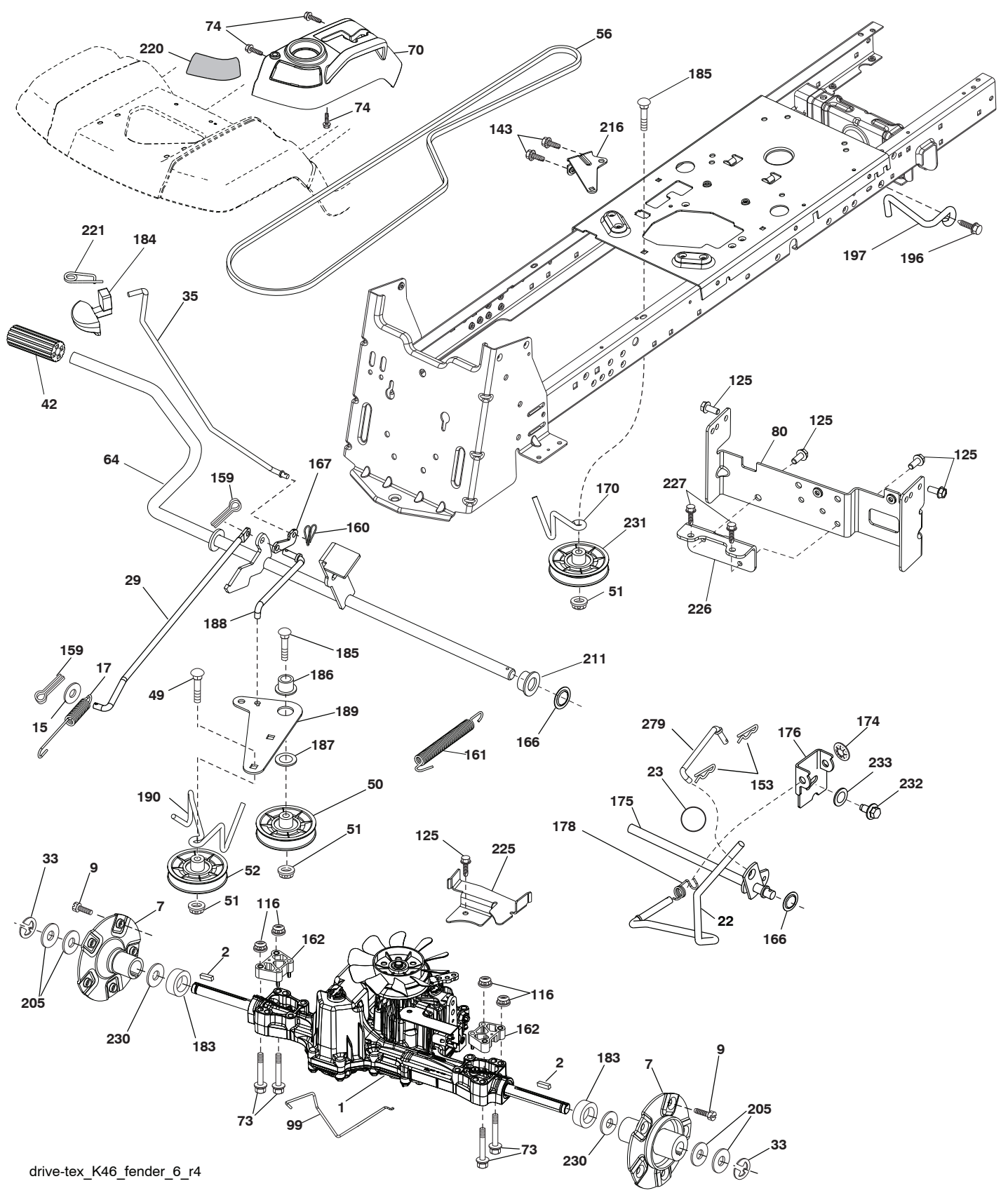
Chassis-*tex*_GT HUSQ_II_66

**TRACTOR MODELO NO. LGT24K54 (96043012702), PRODUCTO NO. 960 43 01-27
CHASIS**

CÓDIGO NO.	PIEZA NO.	DESCRIPCIÓN	CÓDIGO NO.	PIEZA NO.	DESCRIPCIÓN
3	532 43 97-52	Aplica	196	532 43 97-16	Ensamble de la consola de la plata- forma de elevación
5	532 43 74-72	Tablero			
14	532 44 11-77	Capota	199	532 19 82-59	Chapa
15	532 43 97-33	Lente izquierdo de la parrilla	202	532 43 97-28	Salida de Ventilación (LD)
18	532 43 77-62	Parrilla (incluye códigos No. 15, 25, 191)	203	532 43 97-27	Salida de Ventilación (LI)
25	532 44 33-85	Lente derecho de la parrilla	204	532 43 57-14	Salida de Ventilación superior
34	532 19 61-25	Chapa Motor	205	532 43 97-30	Camisa de Capota (LD)
36	817 06 05-12	Tornillo de 5/16-18 x 3/4	206	532 43 97-29	Camisa de Capota (LI)
37	532 44 12-08	Guardabarros	207	532 43 97-34	Bisel derecho
52	873 68 05-00	Tuerca de presión 5/16-18	208	532 43 97-35	Bisel izquierdo
58	532 19 43-14	Soporte de Guardabarros	213	874 76 05-12	Perno
68	817 49 05-08	Tornillo de 5/16-18 x 1/2	214	532 19 91-45	Cierre
130	532 41 63-58	Tornillo No. 10 x 0,75	217	532 40 91-67	Varilla giratoria
137	532 40 75-90	Cubierta Tablero	218	532 19 63-95	Tope
150	532 43 97-74	Cubierta térmica del conducto	221	532 19 89-09	Reflector (LI)
151	532 43 66-70	Soporte	228	532 19 51-61	Sujetador del travesaño
152	532 43 98-70	Protector contra oscurecimiento	234	532 40 47-42	Tope de la capilla
159	817 00 06-12	Tornillo 3/8-16 x 3/4	235	532 40 61-29	Separador del guardabarros
161	532 43 99-29	Ventana de combustible	236	873 93 05-00	Tuerca de presión 5/16-18 unc
162	532 14 24-32	Tornillo	289	532 40 35-71	Conector del crucero/teléfono
165	532 19 68-26	Soporte de Tanque de Gasolina	297	532 43 74-56	Parrilla (LI)
175	532 19 63-04	Travesaño	335	532 43 98-47	Cubierta (LI)
176	532 40 07-76	Tornillo de 10-24 x 5/8	336	532 44 53-09	Cubierta (LD)
177	532 19 52-27	Buje de dirección	337	532 43 81-37	Abrazadera
178	532 19 97-82	Carga la asamblea neta	346	532 12 64-71	Abrazadera
180	532 19 54-77	Chasis	--	532 40 09-44	Kit de parachoques
182	532 40 68-59	Tablero inferior			
183	874 20 05-20	Perno 5/16-18 x 1-1/4			
189	817 00 05-12	Tornillo			
191	532 43 74-55	Parrilla (LD)			
194	873 90 05-00	Tuerca de presión de 5/16-18			

NOTA: Las dimensiones de todos los componentes están expresadas en pulgadas americanas.
1 pulgada = 25,4 mm

TRACTOR MODELO NO. LGT24K54 (96043012702), PRODUCTO NO. 960 43 01-27
TRANSMISIÓN



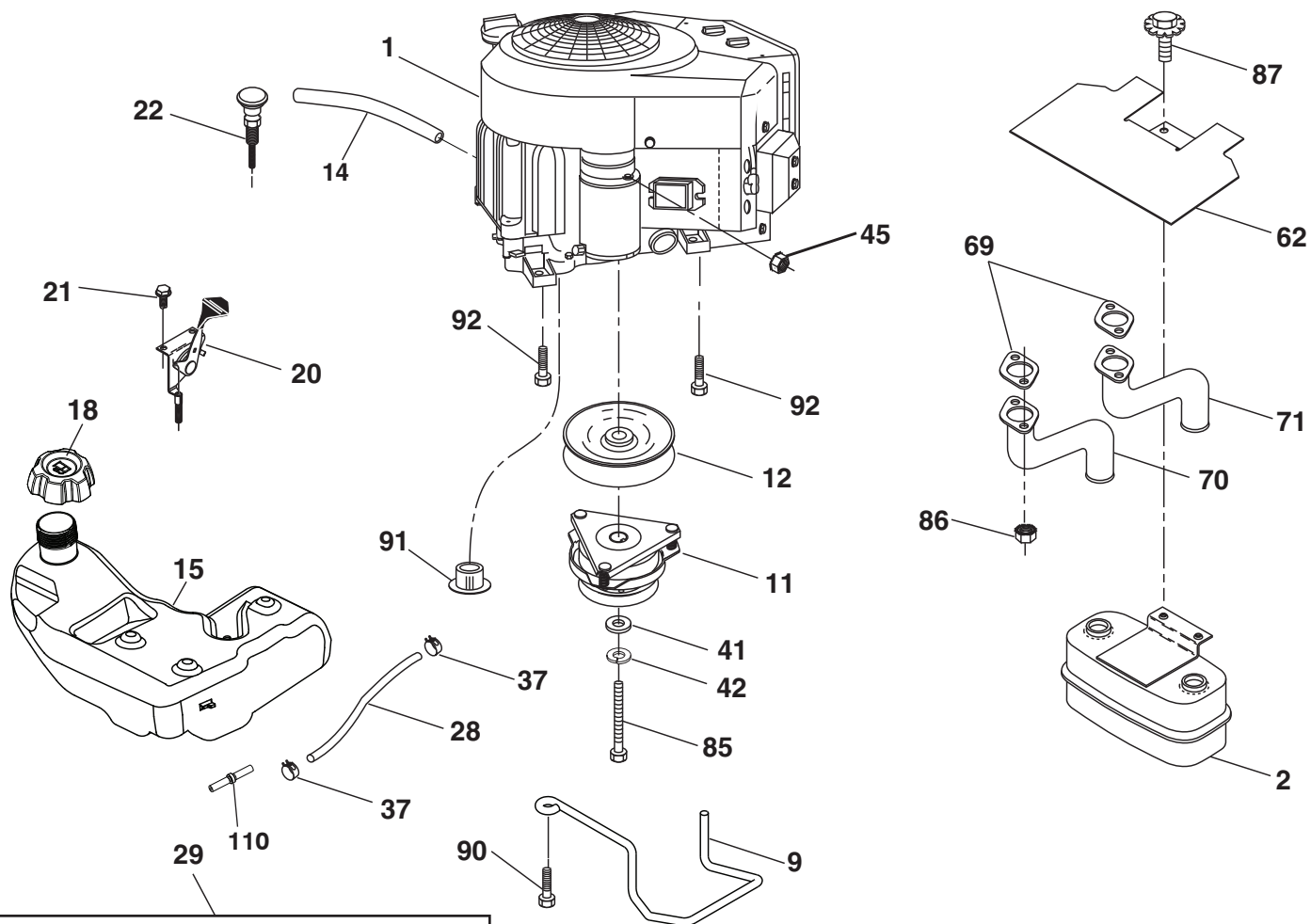
drive-tex_K46_fender_6_r4

**TRACTOR MODELO NO. LGT24K54 (96043012702), PRODUCTO NO. 960 43 01-27
TRANSMISIÓN**

CÓDIGO NO.	PIEZA NO.	DESCRIPCIÓN	CÓDIGO NO.	PIEZA NO.	DESCRIPCIÓN
1	---	Transeje, TUFFTORQ K46 AW (406206) (Haga el pedido de las piezas al fabricante del transeje.)	170	532 41 34-30	Sujetador de la correa central
		Llave	174	532 19 72-89	Tuerca
2	532 18 62-11	Ensamble del cubo trasero 22" TX	175	532 40 62-08	Ensamble del eje
7	532 19 98-44	GT .06	176	532 19 62-14	Brazo
		Perno	178	532 19 74-56	Resorte
9	532 14 00-80	Arandela 13/32 x 13/16 x 16 Ga.	183	532 40 04-24	Separador
15	819 13 13-16	Resorte de freno	184	532 44 14-55	Manija del freno de mano
17	532 41 36-78	Varilla	185	872 11 06-22	Perno 3/8-16 x 2-3/4 Gr. 5
22	532 19 73-29	Perilla	186	532 19 43-21	Espaciador de retención
23	532 14 08-45	Varilla del freno	187	819 13 32-10	Arandela
29	532 40 38-06	Aro "E"	188	532 19 43-23	Mecanismo de desplazamiento de la varilla de mando del embrague
33	812 00 00-01	Varilla del freno de mano	189	532 19 43-17	Palanca acodada del mecanismo de desplazamiento
35	532 43 54-86	Cubierta del pedal	190	532 19 43-18	Sujetador de la palanca acodada del mecanismo de desplazamiento
42	532 12 48-72	Perno	196	817 00 06-16	Tornillo 3/8-16 x 1
49	872 11 06-14	Polea loca plana	197	532 19 97-69	Mecanismo de desplazamiento
50	532 19 43-27	Tuerca de presión de 3/8-16	205	532 12 17-48	Arandela
51	873 90 06-00	Polea loca con ranura en V con un desplazamiento de 910" (23 m)	211	532 19 62-12	Buje
52	532 19 43-26	Correa trapezoidal de la transeje	216	532 19 61-31	Soporte
56	532 13 09-69	Ensamble del eje Control del pedal de freno	220	532 19 89-08	Reflector derecho
64	532 19 62-00	Ensamble de la consola	221	532 40 31-87	Abrazadera de retención del resorte de la manija
70	532 43 96-60	Perno 5/16-18 3.75	225	532 40 33-19	Sujetador de la correa
73	874 49 05-60	Tornillo 1/4 x 1/2	226	532 40 08-31	Soporte
74	532 14 24-32	Correa de torsión	227	817 49 05-12	Tornillo 5/16-18 x 3/4
80	532 44 06-19	Varilla de desviación	230	532 18 89-67	Arandela
99	532 41 57-43	Tuerca 5/16-18	231	532 40 72-87	Polea loca con ranura en V con un desplazamiento de 1.688"
116	873 90 05-00	Tornillo 5/16-18 x 3/4	232	874 78-07-16	Perno 7/16-14 x 1 Gr. 5
125	817 00 05-12	Tornillo 5/16-18 x 1/2	233	532 40 52-96	Arandela
143	817 49 05-08	Retén del resorte	279	532 40 62-07	Acoplamiento
153	532 12 47-88	Pasador de chaveta de 1/8 x 3/4			
159	876 02 04-12	Abrazadera de retención			
160	532 16 94-84	Resorte de retorno del embrague			
161	532 10 57-09	Separador de transeje 18 y 22			
162	532 19 57-85	Tuerca			
166	532 42 91-64	Pestillo del freno de mano			
167	532 40 52-57				

NOTA: Las dimensiones de todos los componentes están expresadas en pulgadas americanas.
1 pulgada = 25,4 mm

TRACTOR MODELO NO. LGT24K54 (96043012702), PRODUCTO NO. 960 43 01-27
MOTOR



EQUIPO APAGACHISPAS

engine-tex_Kawa-2cyl_7

**TRACTOR MODELO NO. LGT24K54 (96043012702), PRODUCTO NO. 960 43 01-27
MOTOR**

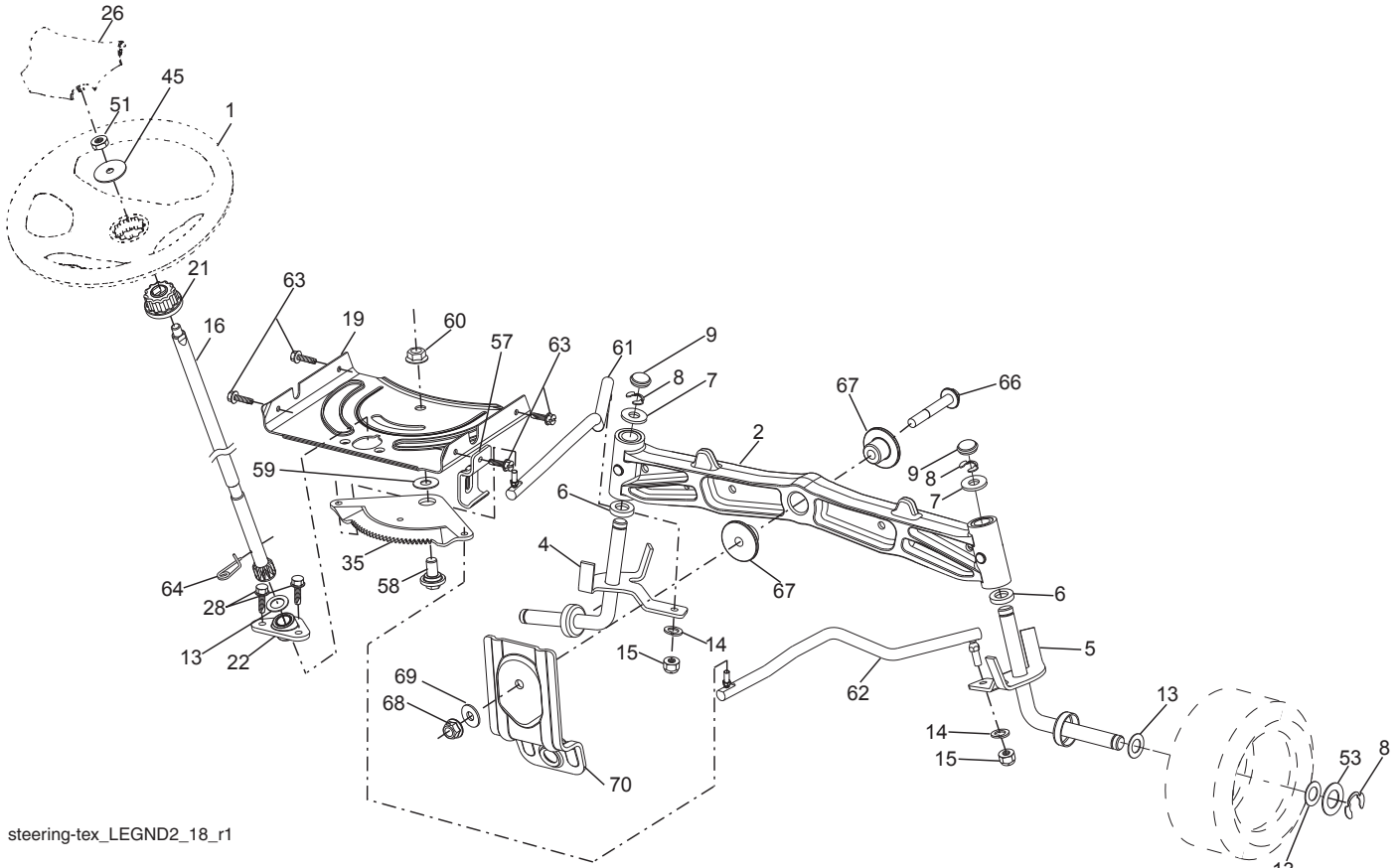
CÓDIGO NO.	PIEZA NO.	DESCRIPCIÓN
1	— — — — —	Motor Kawa modelo No. FR730-DS04 (445363) (Haga el pedido de las piezas al fabricante del motor.)
2	532 14 97-23	Silenciador
9	532 19 43-20	Ensamble del sujetador de la correa del motor
11	532 17 93-35	Embrague de eléctrico
12	532 19 43-43	Polea del motor
14	532 14 84-56	Tubo de fácil drenaje de aceite
15	532 43 80-81	Tanque de Gasolina de 4,0
18	532 43 92-08	Ensamble de la tapa
20	532 17 83-85	Control del regulador
21	532 41 63-58	Tornillo No. 10 x 0,75 con rosca reforzada
22	532 19 15-96	Control del obturador
28	532 40 11-35	Línea de combustible
29	532 13 71-80	Equipo apagachispas
37	532 12 34-87	Abrazadera de la manguera
41	532 12 61-97	Arandela 1-1/2 x 15/32 x .250
42	810 04 07-00	Arandela de presión de 7/16
45	873 51 04-00	Tuerca
62	532 43 40-17	Silenciador con pantalla térmica
69	532 17 81-51	Junta
70	532 42 47-65	Tubo de escape izquierdo
71	532 42 47-66	Tubo de escape derecho
85	532 17 99-53	Perno de 7/16-20 x 3.75 Gr. 5
86	532 18 43-62	Tuerca M8-1.25
87	532 19 82-39	Perno de 5/16-18 unc x 1
90	817 00 06-16	Tornillo de 3/8-16 x 1
91	532 18 74-95	Buje
92	817 12 06-16	Tornillo 3/8-16 x 1
110	532 41 41-18	Válvula la anti-chapotee a

NOTA: Las dimensiones de todos los componentes están expresadas en pulgadas americanas. 1 pulgada = 25,4 mm

Para realizar el mantenimiento del motor y para obtener repuestos, llame al número gratuito del fabricante de su motor que se enumera a continuación:

Kawasaki 1-949-460-5688

TRACTOR MODELO NO. LGT24K54 (96043012702), PRODUCTO NO. 960 43 01-27
ENSAMBLE DE LA DIRECCIÓN



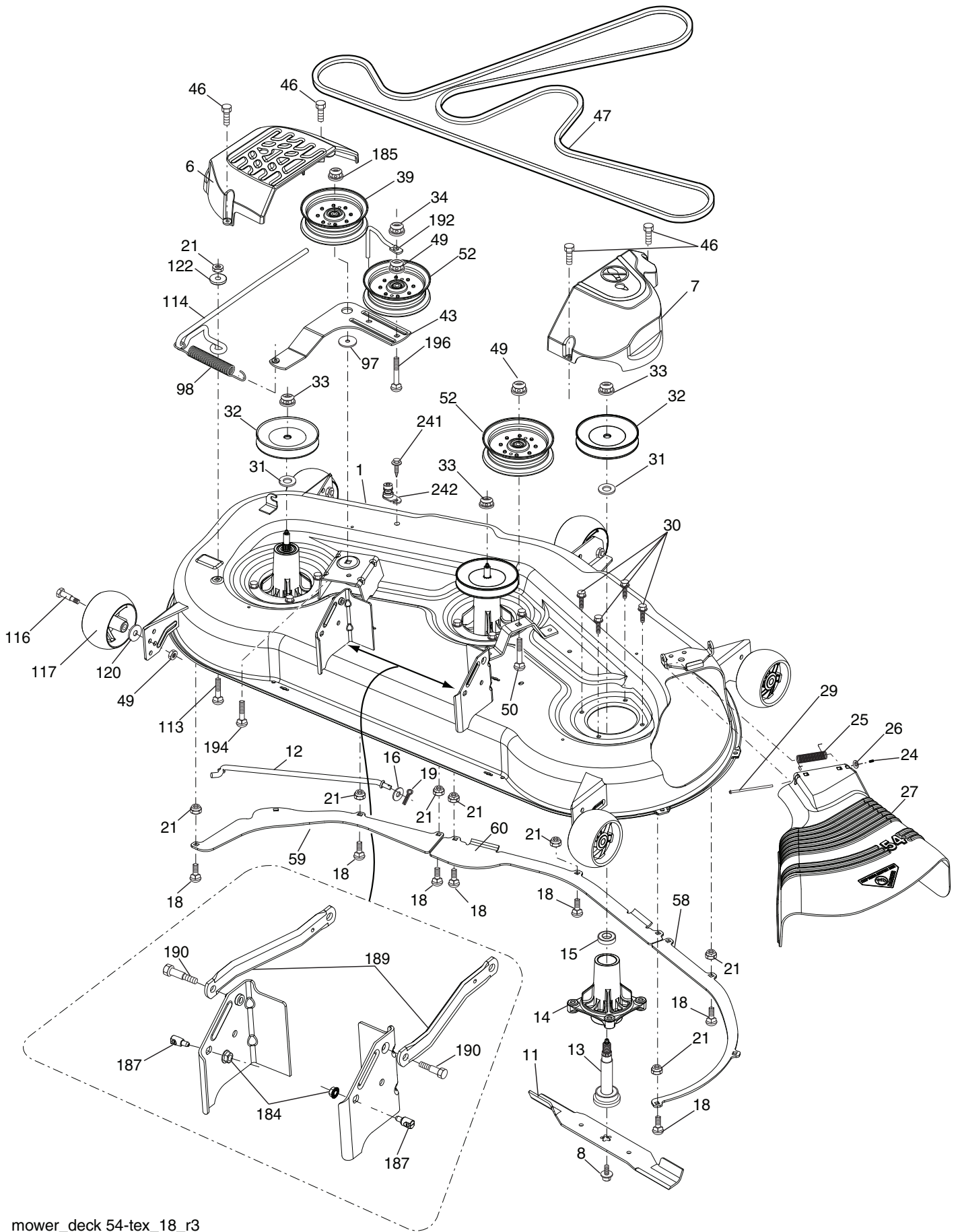
steering-tex_LEGND2_18_r1

**TRACTOR MODELO NO. LGT24K54 (96043012702), PRODUCTO NO. 960 43 01-27
ENSAMBLE DE LA DIRECCIÓN**

CÓDIGO NO.	PIEZA NO.	DESCRIPCIÓN
1	532 43 97-40	Volante de dirección
2	532 19 59-68	Ensamble del eje delantero
4	532 40 30-89	Ensamble del husillo izquierdo
5	532 40 30-90	Ensamble del husillo derecho
6	532 12 49-31	Pista del rodamiento para reforzar el impulso
7	532 12 17-48	Arandela de 25/32 x 1-5/8 calibre 16
8	812 00 00-29	Abrazadera del aro No. T5304-75
9	532 12 12-32	Tapa del husillo
13	532 12 17-49	Arandela de 25/32 x 1-1/4 calibre 16
14	810 04 06-00	Arandela de presión de 3/8
15	873 54 06-00	Tuerca de 3/8-24 unf
16	532 40 82-19	Eje de dirección
19	532 19 47-29	Placa de dirección
21	532 18 67-37	Adaptador del volante de dirección
22	532 42 05-37	Dirección apoyo inferior
26	532 43 97-43	Inserto del volante de dirección
28	817 00 06-12	Tornillo de 3/8-16 x 3/4
35	532 19 47-32	Engranaje del sector de la placa
45	819 18 38-12	Arandela de 9/16 ID x 2-3/8 x calibre 12
51	873 94 08-00	Contratuerca hexagonal de seguridad de 1/2-20 unf
53	532 18 89-67	Arandela .793 x 1.637 x .060
57	532 19 72-46	Tope superior del soporte
58	532 19 47-47	Perno de tope del sector del pivote CFM
59	532 19 47-48	Arandela de empuje del sector de dirección
60	873 97 10-00	Tuerca de 5/8-11
61	532 19 47-40	Barra de acoplamiento izquierda
62	532 19 47-41	Barra de acoplamiento derecha
63	817 00 05-12	Tornillo de 5/16-18 x 3/4
64	532 19 98-49	Abrazadera de retención del resorte de la dirección
66	871 02 07-48	Perno de cabeza hexagonal con brida acanalada de 7/16-14 x 3
67	532 19 47-37	Buje PM del eje delantero
68	873 90 07-00	Tuerca de 7/16-14 grado 5
69	532 19 91-62	Arandela de 1,5 x 0,505 x 0,118
70	532 19 61-97	Soporte de la plataforma delantera

NOTA: Las dimensiones de todos los componentes están expresadas en pulgadas americanas.
1 pulgada = 25,4 mm

TRACTOR MODELO NO. LGT24K54 (96043012702), PRODUCTO NO. 960 43 01-27
PLATAFORMA DE LA CORTADORA DE CÉSPED

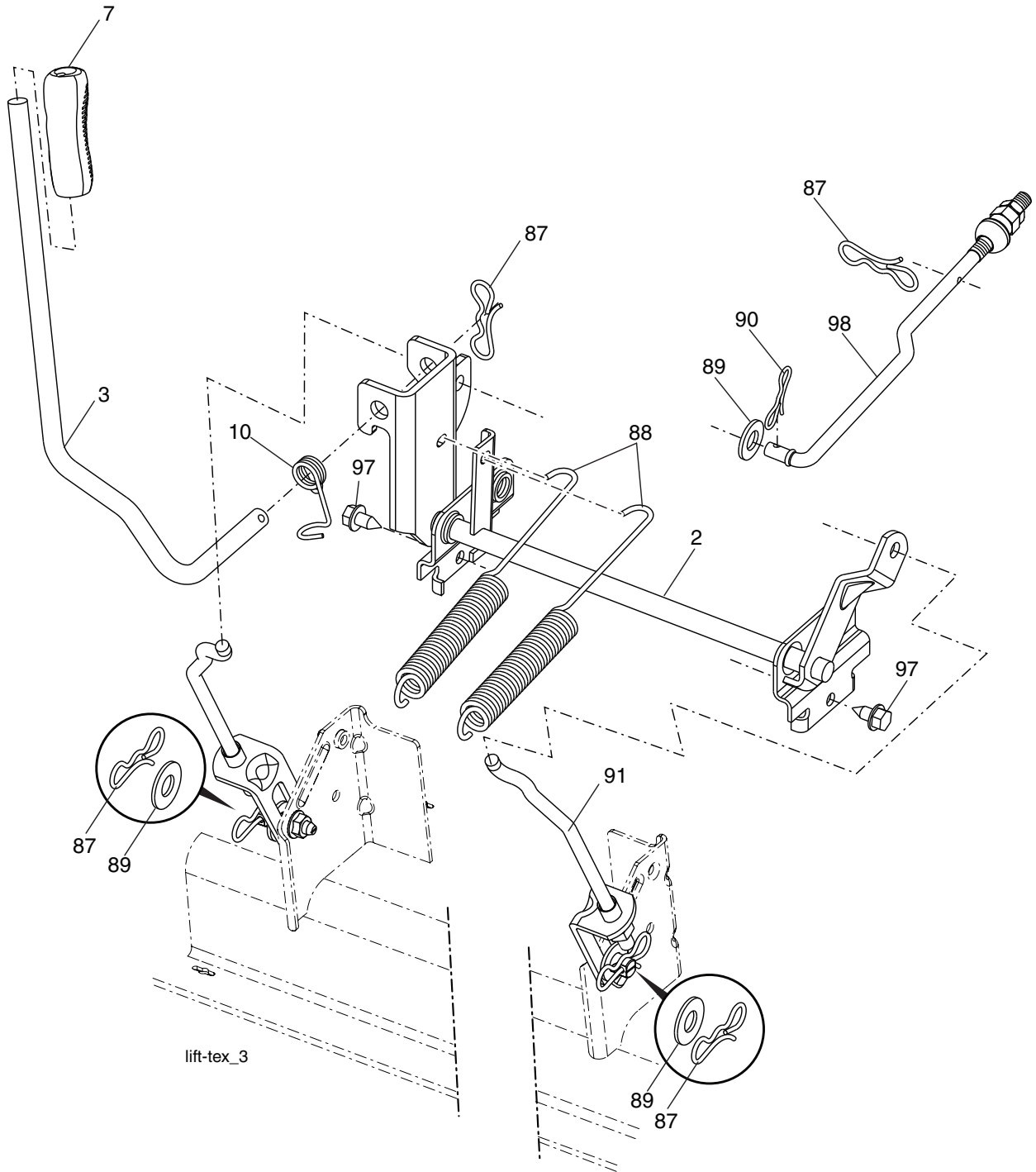


**TRACTOR MODELO NO. LGT24K54 (96043012702), PRODUCTO NO. 960 43 01-27
PLATAFORMA DE LA CORTADORA DE CÉSPED**

CÓDIGO NO.	PIEZA NO.	DESCRIPCIÓN	CÓDIGO NO.	PIEZA NO.	DESCRIPCIÓN
1	532 44 15-47	Carcasa de la cortadora de césped	58	532 18 73-42	Varillaje del freno
6	532 19 60-66	Cubierta derecha del mandril	59	532 18 73-44	Manija del cable de embrague
7	532 19 71-81	Cubierta izquierda del mandril	60	532 18 76-07	Correa trapezoidal
8	532 19 30-03	Perno/arandela del ensamble de 7/16-20 unf	97	532 17 85-15	Perno
11	532 18 72-56	Cuchilla de la cortadora de césped	98	532 19 61-05	Resorte
12	532 40 48-51	Barra	113	872 11 05-08	Perno
13	532 18 72-91	Ensamble del eje del mandril	114	532 18 75-56	Barra
14	532 18 72-81	Carcasa del mandril	116	532 19 34-06	Perno de tope
16	819 13 13-12	Arandela	117	532 17 48-73	Calibrador de la rueda
15	532 11 04-85	Rodamiento de bolas del mandril	120	819 13 20-12	Arandela
18	872 14 05-05	Perno	122	532 18 75-57	Buje
19	532 19 42-08	Alfiler	184	873 90 05-00	Tuerca
21	873 68 05-00	Tuerca	185	873 90 07-00	Tuerca 7/16-14 Gr. 5
24	532 10 53-04	Tapa de la manga	187	532 19 51-61	Sujetador del travesaño
25	532 17 81-02	Resorte de torsión del deflector	189	532 19 51-85	Barra
26	532 11 04-52	Tuerca de presión	190	532 19 65-39	Perno de tope
27	532 18 89-38	Protector del deflector	192	532 19 84-68	Sujetador de la correa
29	532 13 14-91	Varilla de la bisagra	194	874 49 07-36	Perno 7/16-24
30	532 17 39-84	Tornillo con cabeza de arandela	196	872 14 06-20	Perno
31	532 18 76-90	Arandela del separador	241	532 15 29-27	Tornillo
32	532 15 35-35	Polea del mandril	242	532 41 55-98	Puerto de lavado de la cubierta
33	532 40 02-34	Tuerca de seguridad con brida	--	532 41 64-05	Acoplador
34	873 68 06-00	Tuerca	--	532 18 72-92	Ensamble del Mandril (solo incluye la carcasa, el ensamble del eje y el rodamiento; no incluye la polea/tuerca/arandela ni los pernos/arandelas de la cuchilla)
39	532 19 73-80	Polea loca	--	532 43 29-07	Reemplazo de la cortadora de césped, completa
43	532 19 60-65	Brazo de la polea			
46	532 13 77-29	Espaciador de retención			
47	532 19 61-03	Tornillo hexagonal con arandela de 3/8-16 x 1			
49	873 90 06-00	Tuerca 3/8-16 unc			
50	872 11 06-16	Brazo izquierdo del freno de la cortadora de césped			
52	532 19 73-79	Brazo del freno de la cortadora de césped			

NOTA: Las dimensiones de todos los componentes están expresadas en pulgadas americanas.
1 pulgada = 25,4 mm

**TRACTOR MODELO NO. LGT24K54 (96043012702), PRODUCTO NO. 960 43 01-27
ELEVACIÓN DE LA CORTADORA DE CÉSPED**

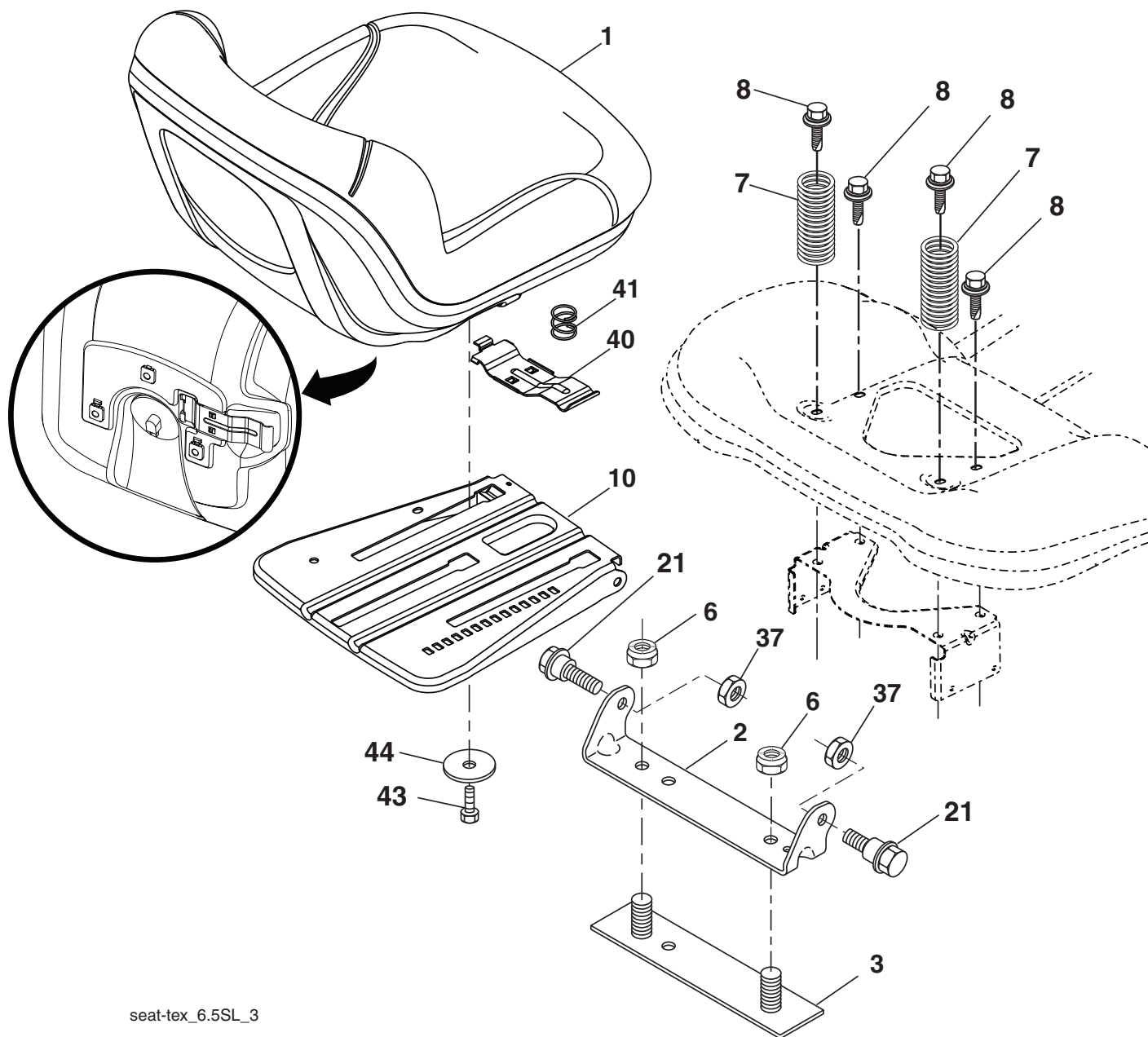


CÓDIGO NO.	PIEZA NO.	DESCRIPCIÓN
2	532 42 20-27	Ensamble del eje de la elevación
3	532 19 52-30	Ensamble de la palanca de elevación derecha
7	532 41 15-55	Mango de la palanca
10	532 19 63-14	Resorte de torsión
87	532 19 42-09	Pasador de chaveta de 7/16 con bloqueo en forma de mariposa
88	532 19 53-04	Resorte de ayuda de la elevación
89	819 19 19-12	Arandela de zinc transparente
90	532 19 42-08	Pasador de chaveta de 5/16 con bloqueo en forma de mariposa

CÓDIGO NO.	PIEZA NO.	DESCRIPCIÓN
91	532 40 34-07	Ensamble del acoplamiento Elevación trasera
97	817 00 06-12	Tornillo de 3/8-16 x 0,75
98	532 19 52-64	Acoplamiento frontal de la elevación de la cortadora de césped

NOTA: Las dimensiones de todos los componentes están expresadas en pulgadas americanas.
1 pulgada = 25,4 mm

**TRACTOR MODELO NO. LGT24K54 (96043012702), PRODUCTO NO. 960 43 01-27
ENSAMBLE DEL ASIENTO**



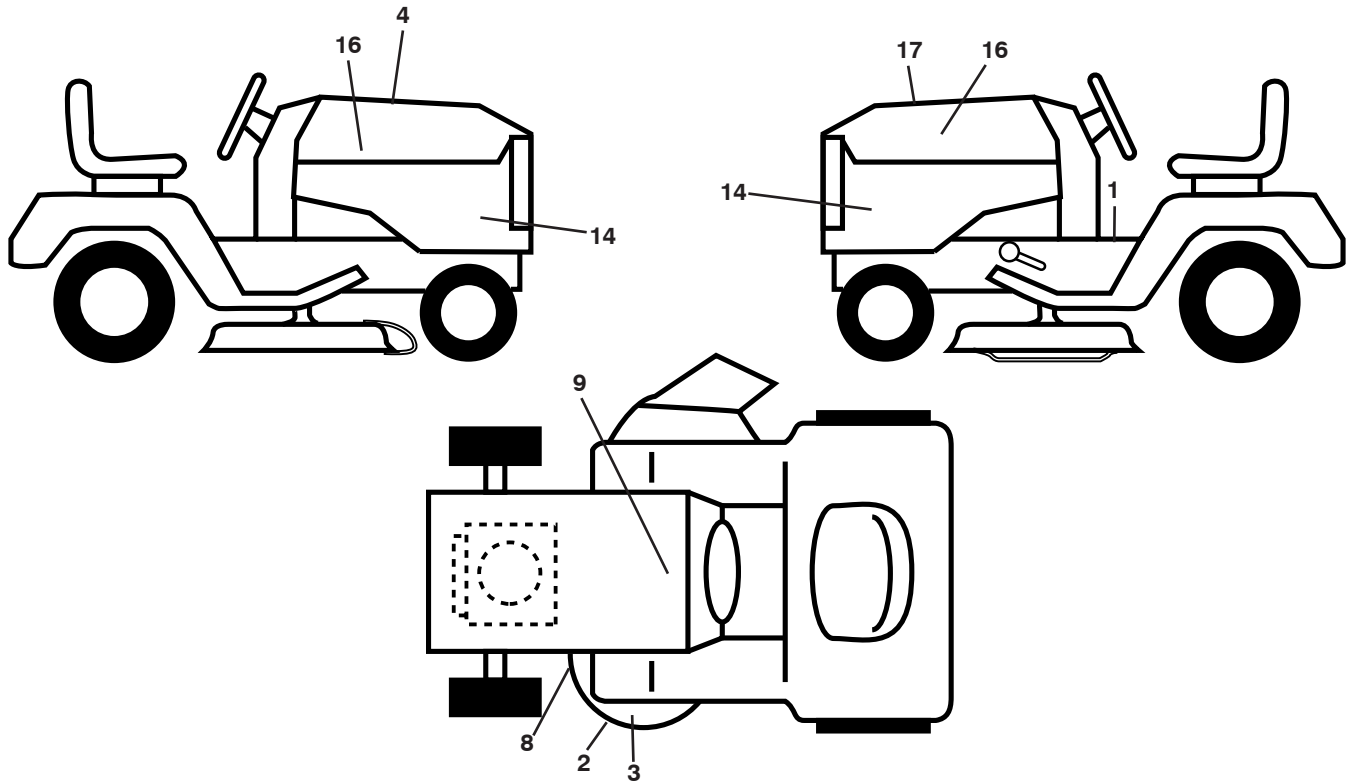
seat-tex_6.5SL_3

CÓDIGO NO.	PIEZA NO.	DESCRIPCIÓN
1	532 43 48-22	Asiento
2	532 18 01-66	Soporte pivotante del guardabarros
3	532 14 06-75	Conector del ensamble del guardabarros
6	873 80 06-00	Tuerca de presión c/aislamiento de 3/8-16 unc
7	532 12 41-81	Resorte del asiento
8	532 17 18-77	Perno de 5/16" unc x 3/4"
10	532 19 69-77	Bandeja del asiento
21	532 17 18-52	Perno de tope de 5/16-18

CÓDIGO NO.	PIEZA NO.	DESCRIPCIÓN
37	873 80 05-00	Tuerca de presión de 5/16-18 unc
40	532 19 76-61	Manija para deslizar el asiento
41	532 19 82-00	Resorte para trabar el asiento
43	874 76 06-12	Perno de cabeza hexagonal con aleta de 3/8-16 unc x 3/4
44	819 13 38-12	Arandela de 13/32 x 2-3/8 calibre 12

NOTA: Las dimensiones de todos los componentes están expresadas en pulgadas americanas.
1 pulgada = 25,4 mm

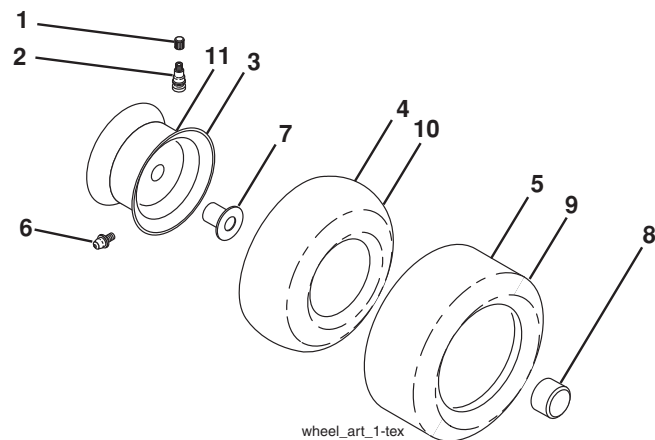
**TRACTOR MODELO NO. LGT24K54 (96043012702), PRODUCTO NO. 960 43 01-27
CALCOMANÍAS**



CÓDIGO NO.	PIEZA NO.	DESCRIPCIÓN
1	532 41 16-57	Calcomanía, Cuidado
2	532 17 05-63	Calcomanía de la cortadora
3	532 17 84-55	Calcomanía, Cuidado
4	532 42 38-29	Calcomanía, del cliente
8	532 19 87-85	Calcomanía del diagrama de la cortadora de césped
9	532 14 50-05	Calcomanía de Peligro/Punto de interconexión
14	532 44 03-74	Calcomanía para el panel lateral
15	532 42 38-29	Calcomanía
16	532 42 91-96	Calcomanía para la capota, logo

CÓDIGO NO.	PIEZA NO.	DESCRIPCIÓN
17	532 43 84-83	Calcomanía de reemplazo
--	532 16 69-60	Calcomanía para la desviación
--	532 43 98-82	Forro del apoyo para los pies izquierdo
--	532 44 15-42	Forro del apoyo para los pies derecho
--	532 44 17-90	Manual del Operario (INGLÉS / ESPAÑOL)
--	432 44 56-81	Manual de Repuestos (INGLÉS / ESPAÑOL)

RUEDAS Y NEUMÁTICOS



CÓDIGO NO.	PIEZA NO.	DESCRIPCIÓN
1	532 05 91-92	Tapa de la válvula del neumático
2	532 06 51-39	Vástago de la válvula
3	532 18 18-39	Ensamble de las llantas delanteras
4	532 00 81-34	Cámara delantera
5	532 10 62-30	Neumático delantero
6	532 12 49-57	Accesorio para engrasar (solo para la rueda delantera)
7	532 12 49-59	Rodamiento de la brida (solo para la rueda delantera)
8	532 17 50-39	Tapa del eje
9	532 18 47-08	Neumático trasero
10	532 00 71-54	Cámara trasera
11	532 40 17-82	Ensamble trasero de la llanta
--	532 14 43-34	Sellador para neumáticos (tubo de 10 onzas [283 gr])

NOTA: Las dimensiones de todos los componentes están expresadas en pulgadas americanas.
1 pulgada = 25,4 mm

SERVICE NOTES / AVISO

08/22/2011 TH