

Gasoline containing up to 10% ethanol (E10) is acceptable for use in this machine. The use of any gasoline exceeding 10% ethanol (E10) will void the product warranty.

## **Parts Manual**

**PZ5426FX / 966614001**

**PZ5430 / 967004001**



Please read the operator's manual carefully and make sure you understand the instructions before using the machine.

When you need spare parts or support in service questions, warranty issues, etc., please consult the following professional:

This Parts Manual belongs to the machine with the manufacturing number:	Engine	Transmission

### Manufacturing Number

*The machine's manufacturing number can be found on the printed plate affixed to the engine compartment.*

Stated on the plate, from the top are:

- The machine's type designation (I.D.).
- The manufacturer's type number (Model).
- The machine's serial number (Serial no.)

*Please have the type designation and serial number available when ordering spare parts.*

The engine's manufacturing number is stamped on one of the valve covers.

The plate states:

- The engine's model.
- The engine's type.
- Code

*Please have these available when ordering spare parts.*

The wheel motors and hydrostatic pumps have a barcode decal affixed at the rear.

Accessories Available	
Collection System -----	966 406901
Mulch Kit 54" -----	966 050401
Mulch Kit 60" -----	966 444701
OCDK Kit 54", 60" ----- (Operator Controlled Discharge Chute)	966 488701
Bearing Kit -----	574 754201

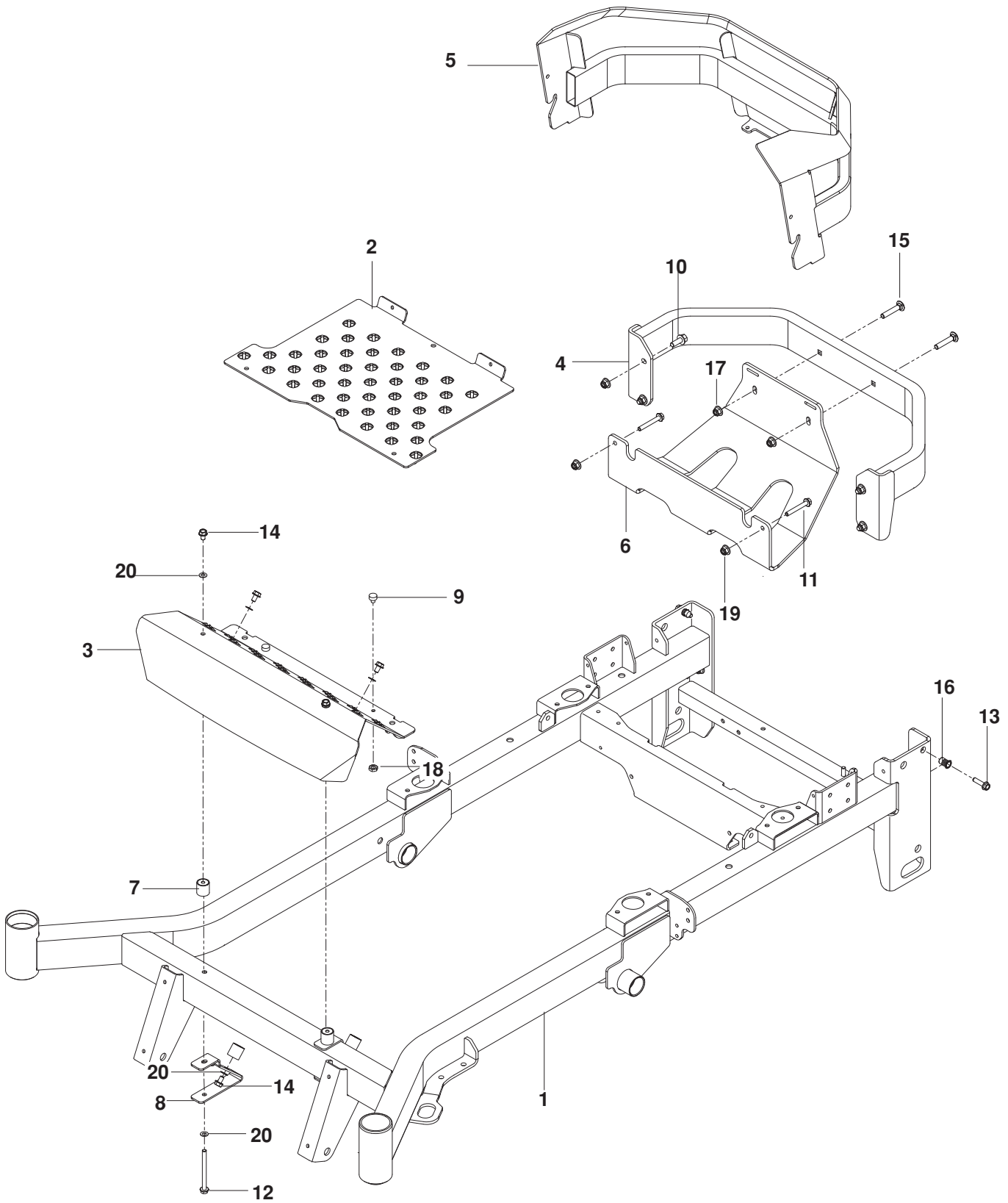
# CONTENTS

---

FRAME.....	4
ENGINE PLATE	
966614001 .....	6
967004001 .....	8
STEERING .....	10
FUEL SYSTEM	
966614001 .....	12
967004001 .....	14
PARKING BRAKE .....	16
HYDRAULIC PUMP-MOTOR	
966614001 .....	18
967004001 .....	20
WHEELS / TIRES .....	22
MOWER LIFT / DECK LIFT .....	24
MOWING DECK / CUTTING DECK .....	26
SEAT .....	28
DECALS.....	30
PROTECTION FRAME.....	32

NOTE: ALL FASTENERS ARE GRADE 5 UNLESS OTHERWISE SPECIFIED.

# FRAME



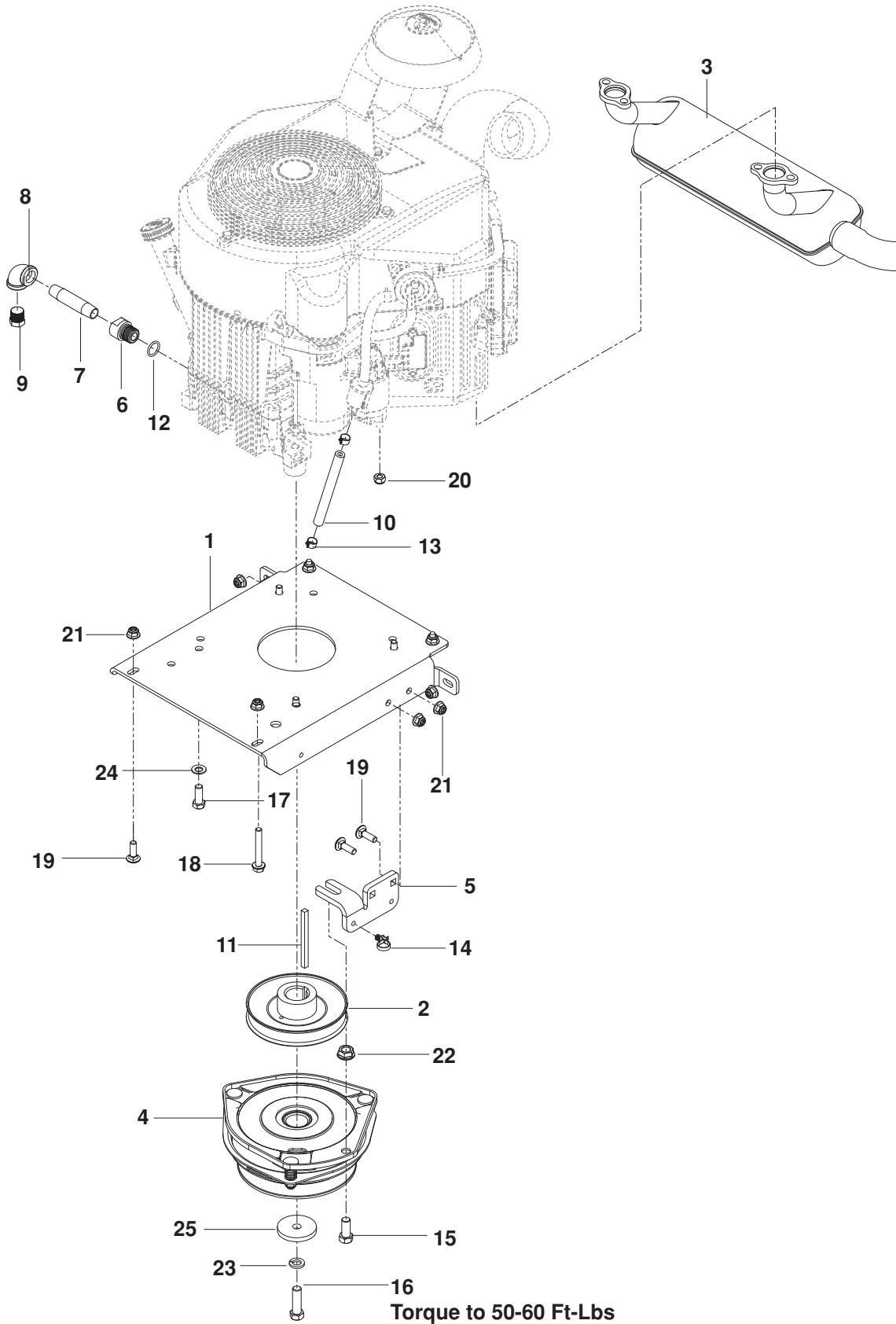
# FRAME

---

ITEM	PART NO.	QTY.	DESCRIPTION	ITEM	PART NO.	QTY.	DESCRIPTION
1..	574 482801....	1....	FRAME w/ SAFETY DECALS	11..	574 233801....	2....	HHFS $\frac{5}{16}$ -18 x 2 $\frac{1}{4}$ HEX FLG
2..	574 215602....	1....	FLOORPAN	12..	539 131780....	2....	HHFS $\frac{5}{16}$ -18 x 3 $\frac{3}{4}$ HEX FLG
3..	574 215702....	1....	FOOTREST	13..	525 544001....	2....	HHFS $\frac{5}{16}$ -18 x 1 $\frac{1}{4}$ TPBLT
4..	522 675702....	1....	BUMPER, REAR	14..	539 990858....	6....	HCS $\frac{5}{16}$ -18 x $\frac{1}{2}$ SLF TAP
5..	574 221602....	1....	GUARD, REAR	15..	539 100145....	2....	RHSNB $\frac{3}{8}$ -16 x 2
6..	574 228602....	1....	PLATE, SKID	16..	539 111028....	2....	NUTSERT $\frac{5}{16}$ -18
7..	510 083201....	4....	MOUNT, F/F INSERT	17..	521 996501....	7....	NUT $\frac{3}{8}$ -16 HEX FLG NYLOC
8..	510 040301....	2....	BRACKET, REST MOUNT	18..	539 108120....	2....	NUT $\frac{1}{4}$ -20 HEX THIN NYLOC
9..	575 811501....	2....	BUMPER, $\frac{1}{4}$ -20 STUD $\frac{3}{8}$ "	19..	539 112899....	2....	NUT $\frac{5}{16}$ -18 HEX FLG NYLOC
10..	525 612801....	4....	HHFS $\frac{3}{8}$ -16 x 1 HEX FLG	20..	539 109600....	8....	WASHER $\frac{5}{16}$ DISC SPRING

# ENGINE PLATE

966614001



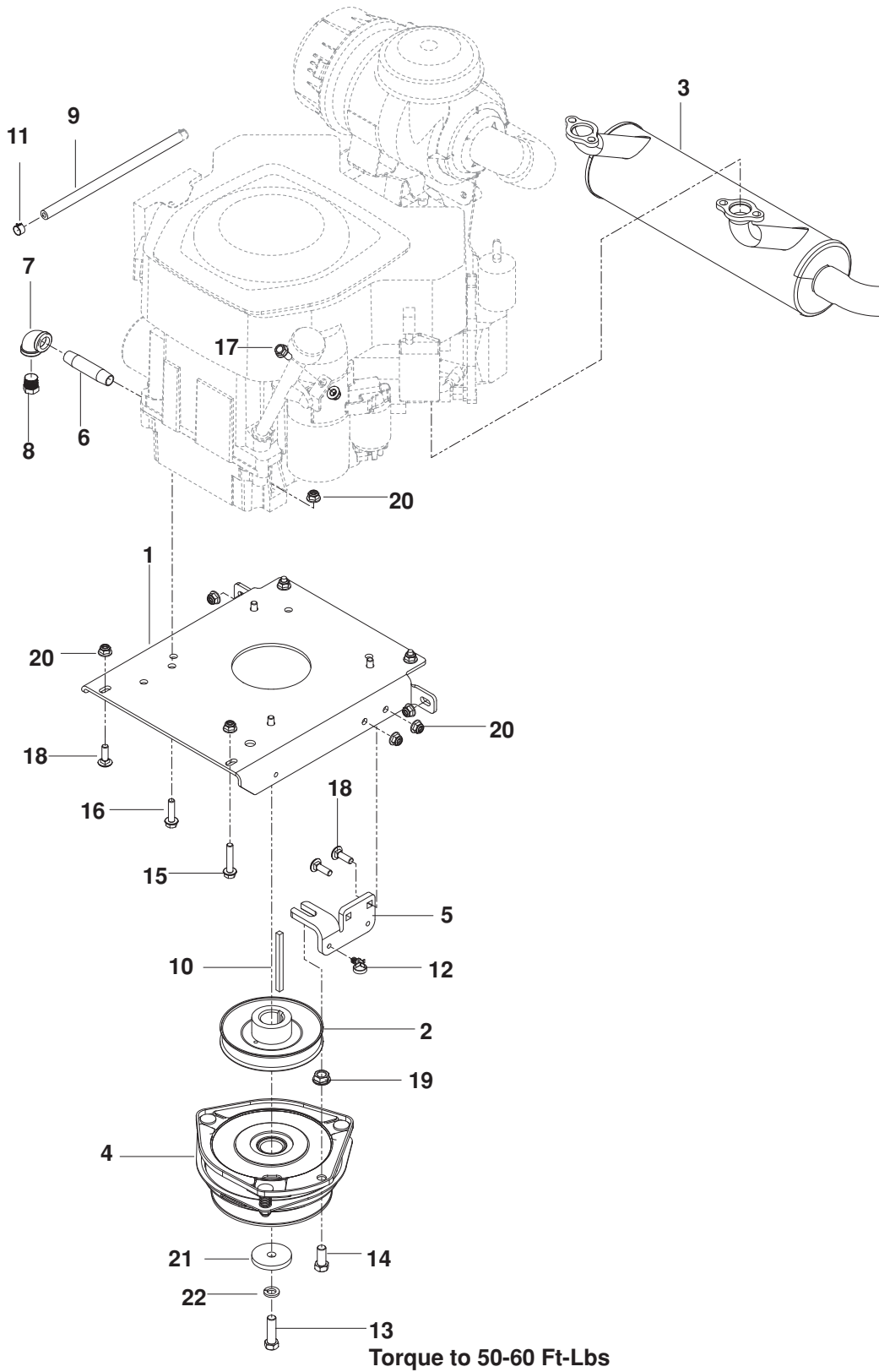
# ENGINE PLATE

---

ITEM	PART NO.	QTY.	DESCRIPTION	ITEM	PART NO.	QTY.	DESCRIPTION
1..	510 004602....	1....	PLATE, ENGINE	15..	539 100143....	1....	HCS 7/16-14 x 1 HEX NYLOC
2..	510 019801....	1....	PULLEY, ENGINE	16..	539 100141....	1....	HCS 7/16-20 x 1 1/2 HEX NYL
3..	525 750201....	1....	MUFFLER	17..	539 990563....	4....	HCS 3/8-16 x 1 HEX NYLOC
4..	525 749501....	1....	CLUTCH, GT 3.5	18..	574 233801....	3....	HHFS 5/16-18 x 2 1/4 HEX FLG
5..	522 676702....	1....	STOP, CLUTCH	19..	539 990208....	3....	RHSNB 5/16-18 x 1
6..	539 119680....	1....	ADAPTOR, OIL DRAIN	20..	539 103153....	1....	NUT M8X1.25 NYLOC
7..	578 211401....	2....	PIPE 3/8 NPT x 1 1/2"	21..	539 112899....	8....	NUT 5/16-18 HEX FLG NYLOC
8..	539 105072....	1....	ELBOW 90°	22..	539 102582....	1....	NUT 7/16-14 HEX WHIZ LK
9..	522 837001....	1....	PLUG 3/8 NPTF DRAIN	23..	539 990247....	1....	WASHER 7/16 SLW
10..	539 110425....	1....	FUEL LINE 5"	24..	539 102593....	4....	WASHER 3/8 SPRING
11..	525 749901....	1....	KEY 1/4 SQ x 3 1/2	25..	539 125626....	1....	WASHER, HEAVY
12..	539 109618....	1....	O-RING	NOT SHOWN			
13..	539 912222....	2....	CLAMP, HOSE	525 554201 ...	1....	ENGINE HARNESS, KAW	
14..	505 280001....	1....	TIE WRAP w/ CLIP	574 825801 ...	1....	KIT, SPARK ARRESTOR	

# ENGINE PLATE

967004001



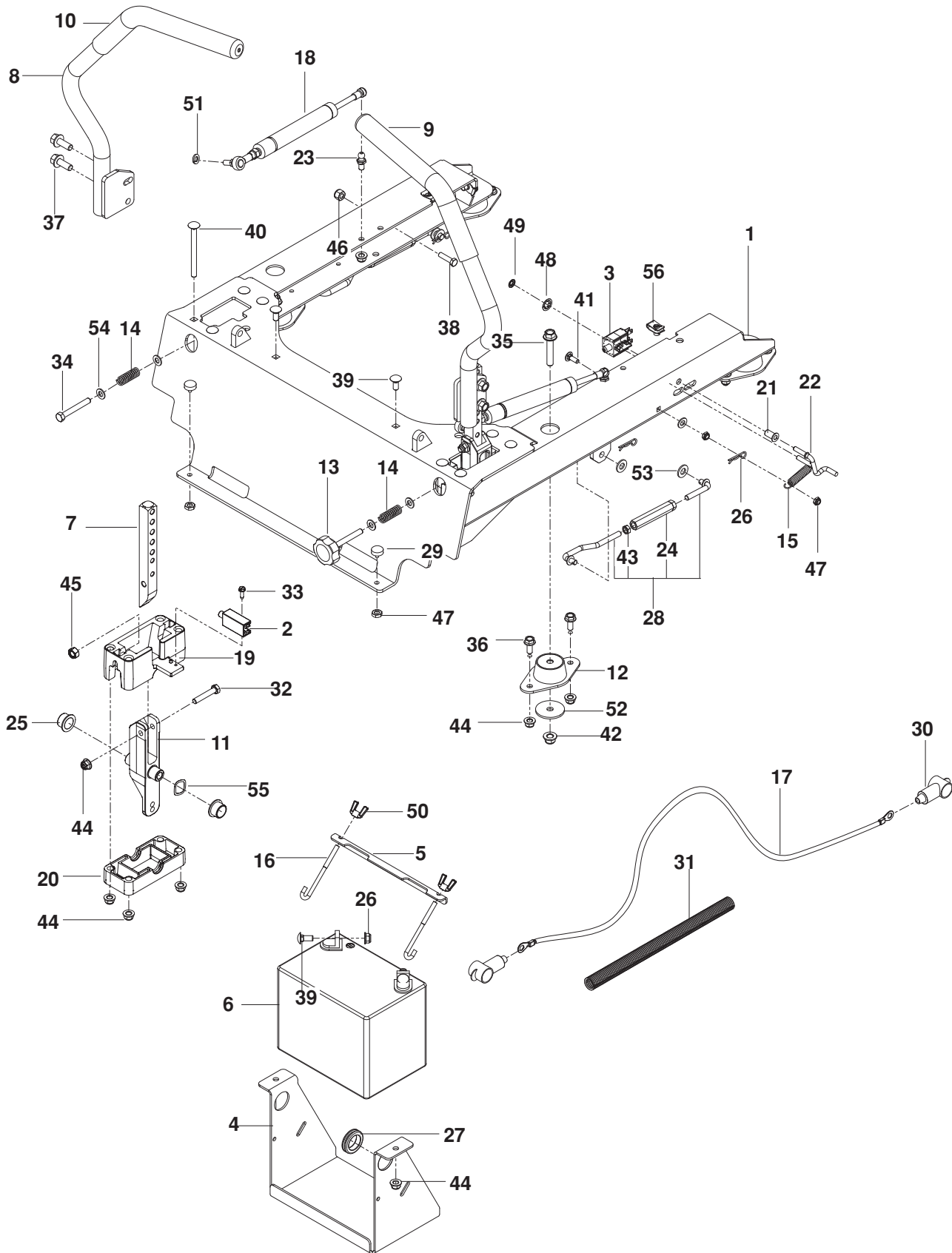


# ENGINE PLATE

---

ITEM	PART NO.	QTY.	DESCRIPTION	ITEM	PART NO.	QTY.	DESCRIPTION
1..	510 004602....	1....	PLATE, ENGINE	14..	539 100143....	1....	HCS 7/16-14 x 1 HEX NYLOC
2..	510 019801....	1....	PULLEY, ENGINE	15..	574 233801....	3....	HHFS 5/16-18 x 2¼ HEX FLG
3..	525 756201....	1....	MUFFLER	16..	525 465401....	4....	HHFS 5/16-18 x 1½ HEX FLG
4..	525 749501....	1....	CLUTCH, GT 3.5	17..	525 464701....	1....	HHFS 5/16-18 x ¾ HEX FLG
5..	522 676702....	1....	STOP, CLUTCH	18..	539 990208....	3....	RHSNB 5/16-18 x 1
6..	539 118911....	1....	PIPE ¾ NPT x 3"	19..	539 102582....	1....	NUT 7/16-14 HEX WHIZ LK
7..	539 105072....	1....	ELBOW 90°	20..	539 112899....	7....	NUT 5/16-18 HEX FLG NYLOC
8..	522 837001....	1....	PLUG, DRAIN, ¾ NPTF	21..	539 125626....	1....	WASHER, HEAVY
9..	539 110425....	1....	FUEL LINE 5"	22..	539 990247....	1....	WASHER 7/16 SLW
10..	525 749901....	1....	KEY,¼ SQ x 3½	NOT SHOWN			
11..	539 912222....	2....	CLAMP, HOSE	522 795601 ...	1....	ENGINE HARNESS, KOH	
12..	505 280001....	1....	TIE WRAP w/ CLIP	574 825801 ...	1....	KIT, SPARK ARRESTOR	
13..	539 100141....	1....	HCS 7/16-20 x 1½ HEX NYL				

# STEERING

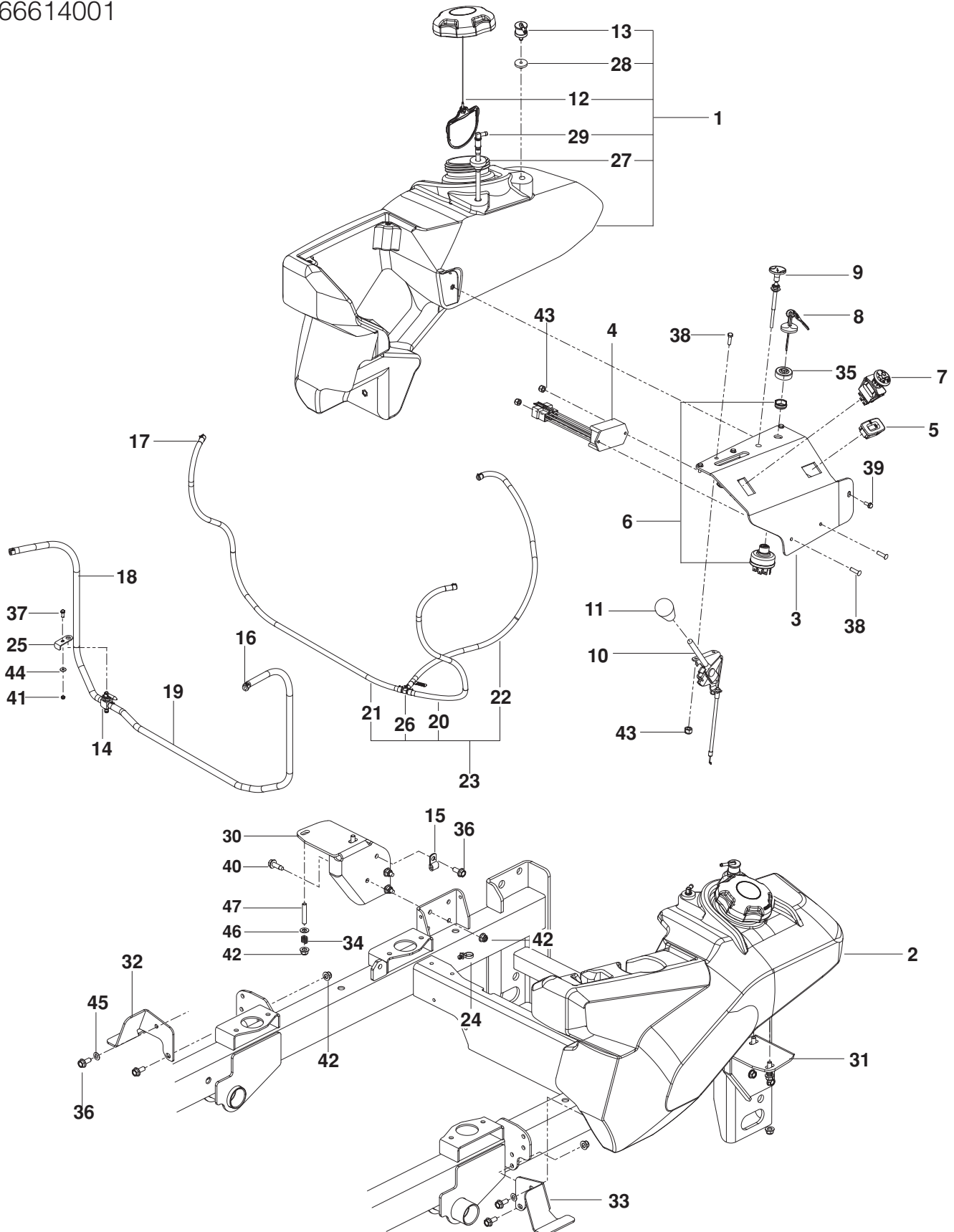


# STEERING

ITEM	PART NO.	QTY.	DESCRIPTION	ITEM	PART NO.	QTY.	DESCRIPTION
1..	574 189602....	1....	FRAME MOUNT	31..	574 235301....	1....	LOOM, SPLIT 5/8
2..	539 101080....	2....	SWITCH N.C.	32..	539 990669....	2....	HCS 5/16-18 x 1 3/4 HEX NYLOC
3..	539 113792....	1....	SWITCH, BRAKE (3-POLE)	33..	539 991034....	2....	HCS 10-24 x 5/8 WSH HD
4..	510 029902....	1....	BRACKET, BATTERY	34..	539 108396....	1....	HCS 5/16-18 x 2 1/2 HEX TPBLT
5..	510 030001....	1....	BRACKET, BATTERY MOUNT	35..	525 866201....	4....	HHFS 3/8-16 x 2 HEX FLG
6..	539 102463....	1....	BATTERY	36..	525 464701....	8....	HHFS 5/16-18 x 3/4 HEX FLG
7..	574 269401....	2....	LEVER, MOTION	37..	525 612801....	4....	HHFS 3/8-16 x 1 HEX FLG
8..	574 262701....	1....	LEVER w/ GRIP, RT	38..	574 822701....	2....	SCREW 10-24 x 3/4 SCKT HD
9..	574 262702....	1....	LEVER w/ GRIP, LT	39..	539 990316....	4....	RHSNB 5/16-18 x 3/4
10..	539 130894....	2....	GRIP, LEVER	40..	539 131665....	8....	RHSNB 5/16-18 x 3 3/4
11..	510 113301....	2....	LEVER, CONTROL w/BSHG	41..	539 990074....	1....	RHSNB 1/4-20 x 3/4 GR2 RD HD
12..	510 082101....	4....	MOUNT, ISO	42..	525 996501....	4....	NUT 3/8-16 HEX FLG NYLOC
13..	539 131799....	1....	KNOB	43..	539 108732....	1....	NUT 3/8-24 HEX JAM
14..	539 101224....	2....	SPRING	44..	539 112899..	25....	NUT 5/16-18 HEX FLG NYLOC
15..	539 020035....	1....	SPRING	45..	539 990196....	2....	NUT 5/16-18 HEX
16..	510 064001....	2....	J HOOK	46..	539 976977....	2....	NUT 10-24 HEX NYLOC
17..	522 718701....	1....	CABLE, POSITIVE	47..	539 108120....	4....	NUT 1/4-20 HEX THIN NYLOC
18..	516 020301....	2....	DAMPENER ASSY	48..	539 913847....	2....	NUT 3/8 RETAINER
19..	539 131517....	2....	BLOCK, UPPER	49..	539 102234....	1....	NUT 1/4 PUSH
20..	539 131519....	2....	BLOCK, LOWER	50..	539 990997....	2....	NUT 1/4-20 WING NYL
21..	511 594901....	1....	BUSHING 1/4 FLANGE	51..	539 990187....	2....	WASHER 5/16 SLW
22..	511 595001....	1....	LINK, SWITCH	52..	539 111897....	4....	WASHER 3/8 SPECIAL
23..	539 110607....	2....	BALL STUD 10MM	53..	539 990122....	4....	WASHER 3/8 SAE FLT
24..	539 109149....	1....	TURNBUCKLE 3/8	54..	539 990188....	5....	WASHER 5/16 SAE FLAT
25..	539 131518....	4....	BEARING, FLANGE	55..	539 133007....	1....	WASHER, WAVE
26..	539 976988....	4....	HAIRPIN COTTER	56..	539 104763....	4....	RETAINER, U TYPE
27..	539 105974....	1....	GROMMET, RUBBER	NOT SHOWN			
28..	525 447901....	2....	STRUT, SEAT	510 093601 ...	1....	HARNES, MAIN WIRING	
29..	575 811501....	2....	BUMPER 1/4-20 STUD 3/8	522 710701 ...	1....	CABLE, NEGATIVE	
30..	539 102759....	2....	INSULATOR				

# FUEL SYSTEM

966614001



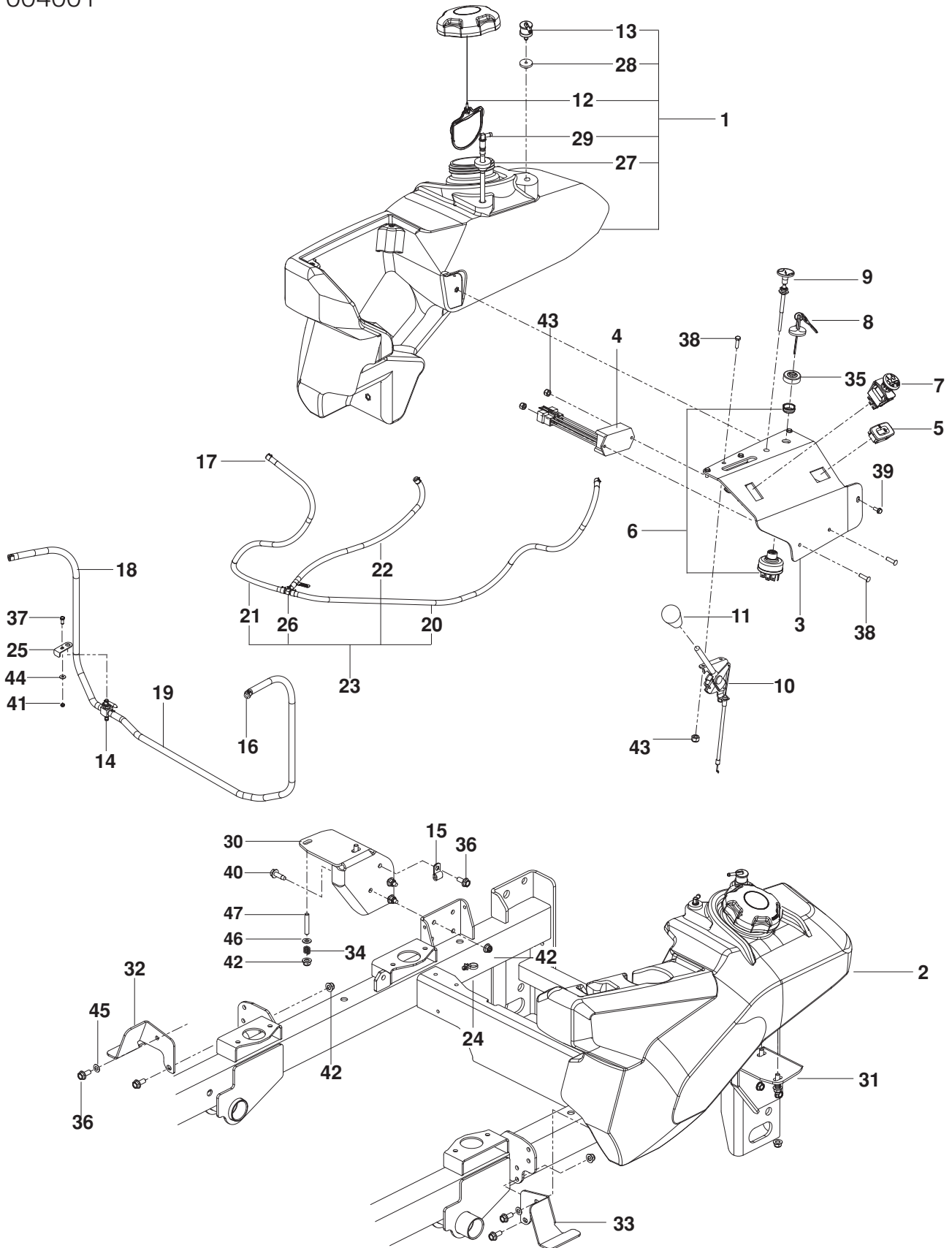
# FUEL SYSTEM

---

ITEM	PART NO.	QTY.	DESCRIPTION	ITEM	PART NO.	QTY.	DESCRIPTION
1..	576 369202....	1....	TANK ASSY, RT	25..	577 104002....	1....	BRACKET, VALVE
2..	576 369102....	1....	TANK ASSY, LT	26..	574 206602....	1....	TEE <sup>3</sup> / <sub>16</sub> FUEL LINE
3..	529 280202....	1....	PANEL, CONTROL	27..	539 105245....	2....	GROMMET, RUBBER
4..	574 514001....	1....	TIMER, SEAT	28..	576 618201....	2....	GROMMET, CHECK VALVE
5..	576 179401....	1....	HOUR METER	29..	525 865401....	2....	FITTING, FUEL
6..	574 455401....	1....	SWITCH, IGNITION	30..	529 279603....	1....	MOUNT, TANK RT RR
7..	539 131627....	1....	SWITCH, PTO 10 AMP	31..	529 279703....	1....	MOUNT, TANK LT RR
8..	574 455501....	1....	KEY, IGNITION	32..	529 279903....	1....	MOUNT, TANK RT FRT
9..	574 206901....	1....	CABLE, CHOKE	33..	529 280003....	1....	MOUNT, TANK LT FRT
10..	574 207001....	1....	CABLE, THROTTLE	34..	539 102845....	4....	SPRING, TANK MOUNT
11..	539 132624....	1....	KNOB	35..	539 103178....	1....	CAP, IGNITION SWITCH
12..	575 018101....	2....	CAP w/ TETHER, FUEL	36..	525 464701....	7....	HHFS <sup>5</sup> / <sub>16</sub> -18 x <sup>3</sup> / <sub>4</sub> HEX FLG
13..	576 618101....	2....	VALVE, FUEL CHECK	37..	539 990580....	1....	HCS <sup>1</sup> / <sub>4</sub> -20 x <sup>3</sup> / <sub>4</sub>
14..	539 102679....	1....	VALVE, FUEL	38..	574 822701....	4....	SCREW 10-24 x <sup>3</sup> / <sub>4</sub> SKT HD
15..	539 109867....	1....	CLAMP, DOUBLE TUBE	39..	539 114341....	3....	SCREW 10-24 x <sup>3</sup> / <sub>8</sub> SKT HD
16..	539 912222....	4....	CLAMP	40..	539 113226....	6....	BOLT <sup>5</sup> / <sub>16</sub> -18 x 1 THD FRM
17..	575 436501....	6....	CLAMP, HOSE	41..	539 108120....	1....	NUT <sup>1</sup> / <sub>4</sub> -20 HEX THIN NYLOC
18..	577 103901....	1....	LINE 22" FUEL	42..	539 112899..	13....	NUT <sup>5</sup> / <sub>16</sub> -18 HEX FLG NYLOC
19..	577 103902....	1....	LINE 38" FUEL	43..	539 976977....	4....	NUT 10-24 HEX NYLOC
20..	576 660603....	1....	HOSE <sup>3</sup> / <sub>16</sub> 21"	44..	539 990598....	1....	WASHER <sup>1</sup> / <sub>4</sub> FLAT
21..	576 660601....	1....	HOSE <sup>3</sup> / <sub>16</sub> 39"	45..	539 109600....	4....	WASHER <sup>5</sup> / <sub>16</sub> DISC SPRING
22..	576 660604....	1....	HOSE <sup>3</sup> / <sub>16</sub> 30"	46..	539 990188....	4....	WASHER <sup>5</sup> / <sub>16</sub> SAE FLAT
23..	576 547701....	1....	VAPOR LINE ASSY	47..	539 102502....	4....	STUD, FUEL TANK
24..	505 280001....	2....	TIE WRAP w/ CLIP				

# FUEL SYSTEM

967004001

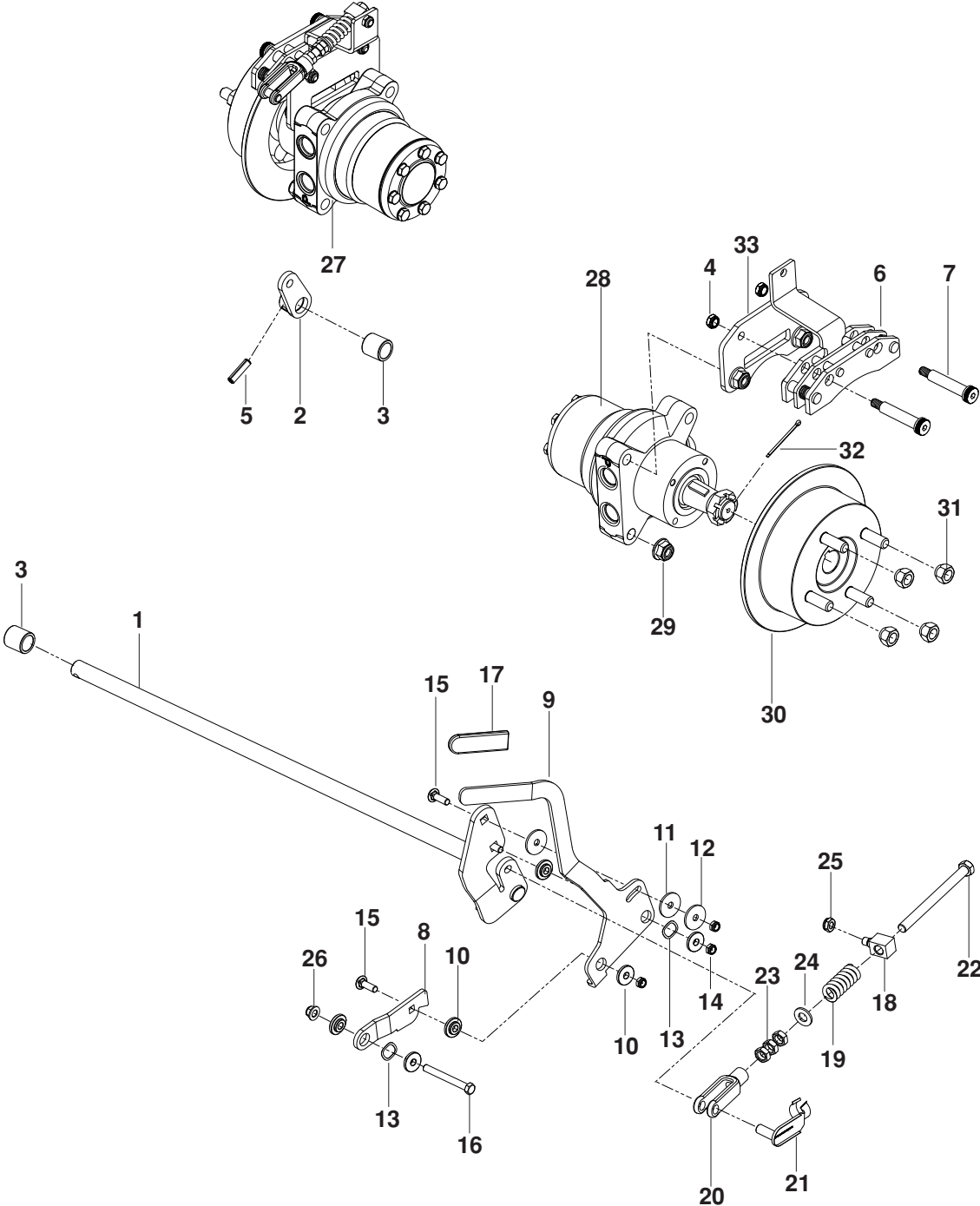


# FUEL SYSTEM

---

ITEM	PART NO.	QTY.	DESCRIPTION	ITEM	PART NO.	QTY.	DESCRIPTION
1..	576 369202....	1....	TANK ASSY, RT	25..	577 104002....	1....	BRACKET, VALVE
2..	576 369102....	1....	TANK ASSY, LT	26..	574 206602....	1....	TEE <sup>3</sup> / <sub>16</sub> FUEL LINE
3..	529 280202....	1....	PANEL, CONTROL	27..	539 105245....	2....	GROMMET, RUBBER
4..	574 514001....	1....	TIMER, SEAT	28..	576 618201....	2....	GROMMET, CHECK VALVE
5..	576 179401....	1....	HOUR METER	29..	525 865401....	2....	FITTING, FUEL
6..	574 455401....	1....	SWITCH, IGNITION	30..	529 279603....	1....	MOUNT, TANK RT RR
7..	539 131627....	1....	SWITCH, PTO 10 AMP	31..	529 279703....	1....	MOUNT, TANK LT RR
8..	574 455501....	1....	KEY, IGNITION	32..	529 279903....	1....	MOUNT, TANK RT FRT
9..	574 206902....	1....	CABLE, CHOKE	33..	529 280003....	1....	MOUNT, TANK LT FRT
10..	574 207001....	1....	CABLE, THROTTLE	34..	539 102845....	4....	SPRING, TANK MOUNT
11..	539 132624....	1....	KNOB	35..	539 103178....	1....	CAP, IGNITION SWITCH
12..	575 018101....	2....	CAP w/ TETHER, FUEL	36..	525 464701....	7....	HHFS <sup>5</sup> / <sub>16</sub> -18 x <sup>3</sup> / <sub>4</sub> HEX FLG
13..	576 618101....	2....	VALVE, FUEL CHECK	37..	539 990580....	1....	HCS <sup>1</sup> / <sub>4</sub> -20 x <sup>3</sup> / <sub>4</sub>
14..	539 102679....	1....	VALVE, FUEL	38..	574 822701....	4....	SCREW 10-24 x <sup>3</sup> / <sub>4</sub> SKT HD
15..	539 109867....	1....	CLAMP, DOUBLE TUBE	39..	539 114341....	3....	SCREW 10-24 x <sup>3</sup> / <sub>8</sub> SKT HD
16..	539 912222....	4....	CLAMP	40..	539 113226....	6....	BOLT <sup>5</sup> / <sub>16</sub> -18 x 1 THD FRM
17..	575 436501....	6....	CLAMP, HOSE	41..	539 108120....	1....	NUT <sup>1</sup> / <sub>4</sub> -20 HEX THIN NYLOC
18..	577 103901....	1....	LINE 22" FUEL	42..	539 112899..	13....	NUT <sup>5</sup> / <sub>16</sub> -18 HEX FLG NYLOC
19..	577 103902....	1....	LINE 38" FUEL	43..	539 976977....	4....	NUT 10-24 HEX NYLOC
20..	576 660601....	1....	HOSE <sup>3</sup> / <sub>16</sub> 39"	44..	539 990598....	1....	WASHER <sup>1</sup> / <sub>4</sub> FLAT
21..	576 660603....	1....	HOSE <sup>3</sup> / <sub>16</sub> 21"	45..	539 109600....	4....	WASHER <sup>5</sup> / <sub>16</sub> DISC SPRING
22..	576660607....	1....	HOSE <sup>3</sup> / <sub>16</sub> 11"	46..	539 990188....	4....	WASHER <sup>5</sup> / <sub>16</sub> SAE FLAT
23..	576 547701....	1....	VAPOR LINE ASSY	47..	539 102502....	4....	STUD, FUEL TANK
24..	505 280001....	2....	TIE WRAP w/ CLIP				

# PARKING BRAKE





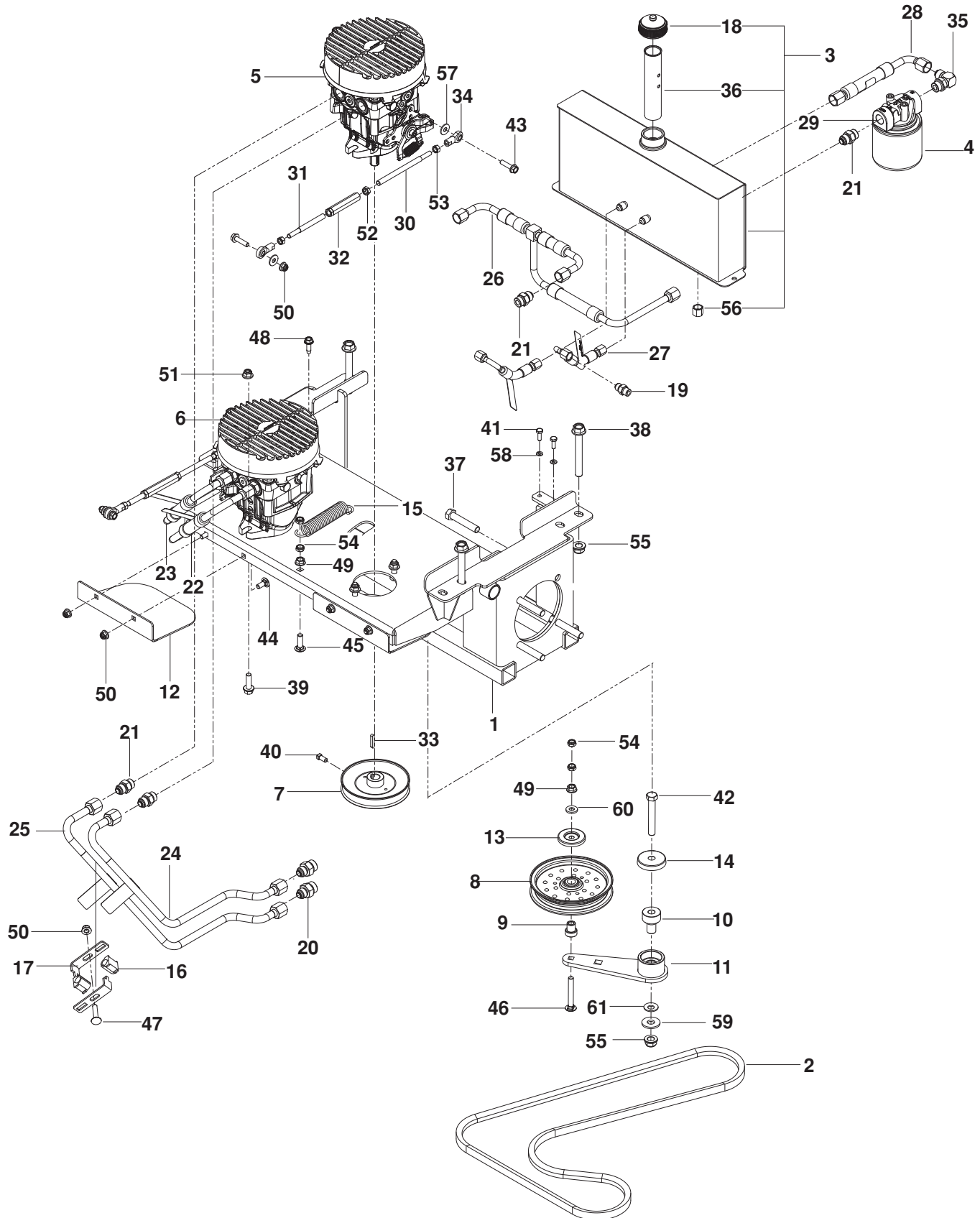
# PARKING BRAKE

---

ITEM	PART NO.	QTY.	DESCRIPTION	ITEM	PART NO.	QTY.	DESCRIPTION
1..	525 851201....	1....	SHAFT, BRAKE	20..	539 977465....	1....	YOKE
2..	510 025901....	1....	ARM, RT BRAKE	21..	522 705901....	1....	PIN $\frac{3}{8}$ CLEVIS SPRING
3..	510 089201....	2....	BUSHING, SLEEVE $\frac{3}{4}$ x 1	22..	539 104984....	1....	HHFS $\frac{3}{8}$ -24 x $4\frac{1}{2}$ HEX NYL
4..	539 200282....	6....	NUT $\frac{3}{8}$ -16 HEX JAM NYLOC	23..	539 108732....	3....	NUT $\frac{3}{8}$ -24 HEX JAM
5..	539 110631....	1....	ROLL PIN $\frac{5}{16}$ " DIA.	24..	539 990122....	1....	WASHER $\frac{3}{8}$ SAE FLT
6..	539 133047....	2....	CALIPER	25..	539 115617....	1....	NUT $\frac{5}{16}$ -18 HEX NYLOC INS
7..	516 035501....	4....	BOLT $\frac{1}{2}$ x $2\frac{1}{4}$ , $\frac{3}{8}$ -16 SHLDR	26..	521 996501....	1....	NUT $\frac{3}{8}$ -16 HEX FLG NYLOC
8..	515 980301....	1....	LINK, FOLLOWER	27..	574 805202....	1....	MOTOR, RT 966614001
9..	515 980002....	1....	LEVER, BRAKE		575 224601 ...	1....	MOTOR, RT 967004001
10..	539 132161....	6....	BUSHING, BRAKE	28..	574 805201....	1....	MOTOR, LT 966614001
11..	525 490901....	2....	WASHER, FRICTION		539 110823 ...	1....	MOTOR, LT 967004001
12..	539 912063....	1....	WASHER, CONE	29..	521 991101....	8....	NUT $\frac{1}{2}$ -13 HEX FLG NYLOC
13..	539 133007....	2....	WASHER, WAVE	30..	525 848701....	2....	HUB, DISC BRAKE w/ STUDS
14..	539 200282....	3....	NUT $\frac{3}{8}$ -16 HEX JAM NYLOC	31..	539 101173....	8....	LUG NUT $\frac{1}{2}$
15..	539 100413....	3....	RHSNB $\frac{3}{8}$ -16 x $1\frac{1}{4}$	32..	539 102889....	2....	COTTER PIN $\frac{1}{8}$ x 2
16..	539 923463....	1....	HHFS $\frac{3}{8}$ -16 x $3\frac{1}{4}$ HEX NYLOC	33..	525 851601....	2....	PLATE, CALIPER
17..	539 976526....	1....	GRIP, LEVER				
18..	525 851401....	1....	SWIVEL, BRAKE				
19..	539 113952....	1....	SPRING				

# HYDRAULIC PUMP-MOTOR

966614001



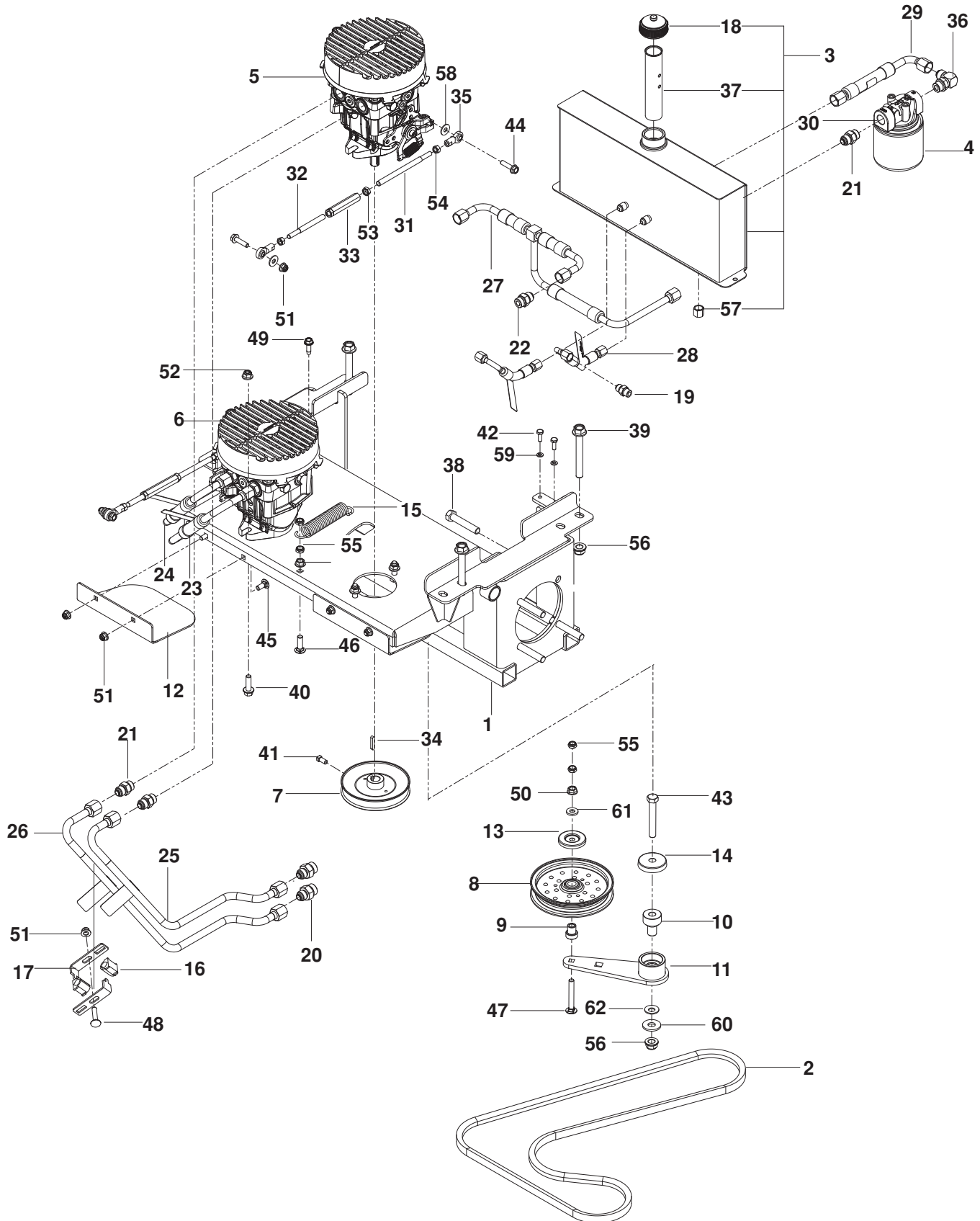
# HYDRAULIC PUMP-MOTOR

---

ITEM	PART NO.	QTY.	DESCRIPTION	ITEM	PART NO.	QTY.	DESCRIPTION
1..	506 007902....	1....	FRAME, SUB	32..	539 109149....	2....	TURNBUCKLE 3/8
2..	573 978301....	1....	BELT	33..	539 101177....	2....	KEY, METRIC
3..	576 035902....	1....	OIL TANK ASSY	34..	539 102590....	4....	BALL END, RT
4..	522 805401....	1....	FILTER, 25 MICRON	35..	539 101242....	1....	ELBOW 90° ADJ
5..	506 120401....	1....	PUMP, 16CC RT	36..	522 805001....	1....	TUBE, ANTI-SPLASH
6..	506 120501....	1....	PUMP, 16CC LT	37..	539 101332....	8....	HHFS 1/2-13 x 2 3/4 HEX NYLOC
7..	510 019002....	2....	PULLEY, PUMP, 17MM	38..	525 544801....	4....	HHFS 1/2-13 x 4 HEX FLG
8..	510 019002....	1....	PULLEY, IDLER	39..	525 834201....	4....	HHFS 3/8-16 x 1 1/4 HEX FLG
9..	525 435601....	1....	PIVOT, IDLER	40..	539 102717....	4....	HCS 5/16-18 x 5/8 SET
10..	510 206301....	1....	PIVOT, BEARING	41..	539 990072....	2....	HCS 1/4-20 x 5/8 HEX NYLOC
11..	510 041603....	1....	ARM, IDLER, w/ BEARINGS	42..	539 103433....	1....	HCS 1/2-13 x 3 1/4 HEX NYLOC
12..	574 398502....	2....	SHIELD, PULLEY	43..	525 544001....	4....	HCS 5/16-18 x 1 1/4 TPBLT
13..	510 254501....	1....	SHIELD, DUST	44..	539 990316....	4....	RHSNB 5/16-18 x 3/4
14..	539 114662....	1....	SHIELD, DUST	45..	539 100413....	1....	RHSNB 3/8-16 x 1 1/4
15..	577 437201....	1....	SPRING, PUMP	46..	539 130235....	1....	RHSNB 3/8-16 x 2 3/4
16..	576 577601....	2....	RUBBER, VIBRATION 1/2	47..	539 102933....	1....	RHSNB 5/16-18 x 1 1/2
17..	576 573701....	2....	BRACKET, CLAMP	48..	539 113226....	2....	BOLT 5/16-18 x 1 THD FRM
18..	522 805301....	1....	CAP, HYDRAULIC	49..	539 990613....	1....	NUT 3/8-16 HEX WHIZLK
19..	539 103316....	2....	CONNECTOR	50..	539 112899....	9....	NUT 5/16-18 HEX FLG NYLOC
20..	539 101239....	4....	CONNECTOR, STRAIGHT	51..	521 996501....	4....	NUT 3/8-16 HEX FLG NYLOC
21..	539 101237....	7....	CONNECTOR, STRAIGHT	52..	539 108732....	2....	NUT 3/8-24 HEX JAM
22..	510 013601....	1....	LINE, HYDRAULIC, RT-A	53..	539 990223....	4....	NUT 5/16-24 HEX
23..	510 013701....	1....	LINE, HYDRAULIC, RT-B	54..	539 200282....	8....	NUT 3/8-16 HEX JAM NYLOC
24..	510 013801....	1....	LINE, HYDRAULIC, LT-A	55..	521 991101..	13....	NUT 1/2-13 HEX FLG NYLOC
25..	510 013901....	1....	LINE, HYDRAULIC, LT-B	56..	539 105168....	1....	CAPNUT
26..	510 014001....	1....	LINE, HYDRAULIC, CHARGE	57..	539 990692....	4....	WASHER 5/16 STD FLT
27..	510 014501....	2....	LINE, HYDRAULIC, CASE	58..	539 990052....	2....	WASHER 1/4 SPLIT LOCK
28..	510 010701....	1....	LINE, HYDRAULIC, SUCTION	59..	539 109554....	1....	WASHER 1/2 FLAT
29..	575 872301....	1....	FILTER HEAD	60..	522 023401....	1....	WASHER 3/8 THICK
30..	522 842801....	2....	LINKAGE, CONTROL, RR	61..	539 115528....	1....	WASHER 1/2" BELLEVILLE
31..	522 559201....	2....	LINKAGE, CONTROL, FT				

# HYDRAULIC PUMP-MOTOR

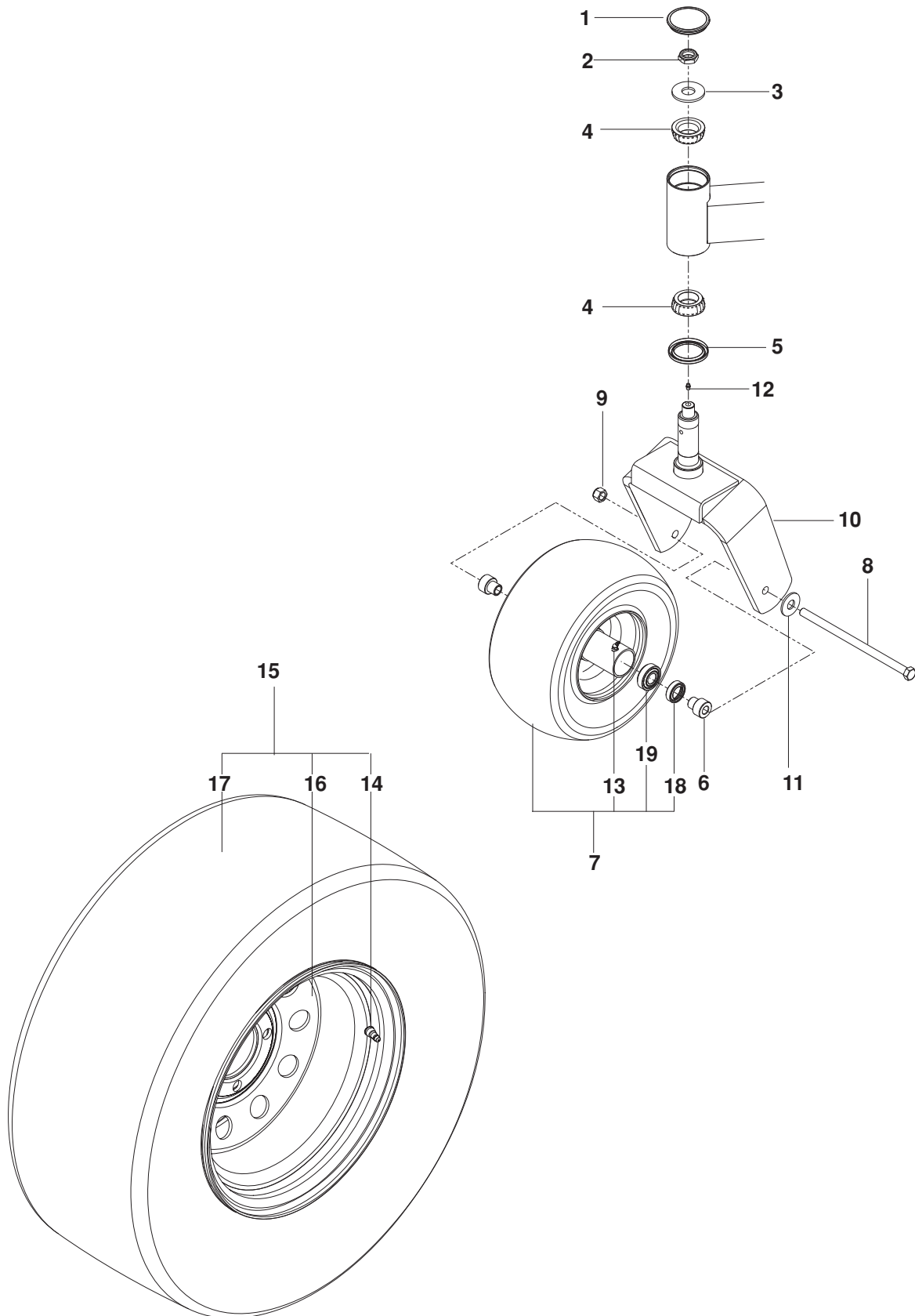
967004001



# HYDRAULIC PUMP-MOTOR

ITEM	PART NO.	QTY.	DESCRIPTION	ITEM	PART NO.	QTY.	DESCRIPTION
1..	506 007902....	1....	FRAME, SUB	32..	522 559201....	2....	LINKAGE, CONTROL, FT
2..	573 978301....	1....	BELT	33..	539 109149....	2....	TURNBUCKLE 3/8
3..	576 035902....	1....	OIL TANK ASSY	34..	539 101177....	2....	KEY, METRIC
4..	522 805401....	1....	FILTER, 25 MICRON	35..	539 102590....	4....	BALL END, RT
5..	505 351001....	1....	PUMP, 12CC RT	36..	539 101242....	1....	ELBOW 90° ADJ
6..	505 351101....	1....	PUMP, 12CC LT	37..	522 805001....	1....	TUBE, ANTI-SPLASH
7..	510 019002....	2....	PULLEY, PUMP, 17MM	38..	539 101332....	8....	HHFS 1/2-13 x 2 3/4 HEX NYLOC
8..	510 283702....	1....	PULLEY, IDLER	39..	525 544801....	4....	HHFS 1/2-13 x 4 HEX FLG
9..	525 435601....	1....	PIVOT, IDLER	40..	525 834201....	4....	HHFS 3/8-16 x 1 1/4 HEX FLG
10..	510 206301....	1....	PIVOT, BEARING	41..	539 102717....	4....	HCS 5/16-18 x 5/8 SET
11..	510 041603....	1....	ARM, IDLER, w/ BEARINGS	42..	539 990072....	2....	HCS 1/4-20 x 5/8 HEX NYLOC
12..	574 398502....	2....	SHIELD, PULLEY	43..	539 103433....	1....	HCS 1/2-13 x 3 1/4 HEX NYLOC
13..	510 254501....	1....	SHIELD, DUST	44..	525 544001....	4....	HCS 5/16-18 x 1 1/4 TPBLT
14..	539 114662....	1....	SHIELD, DUST	45..	539 990316....	4....	RHSNB 5/16-18 x 3/4
15..	577 437201....	1....	SPRING, PUMP	46..	539 100413....	1....	RHSNB 3/8-16 x 1 1/4
16..	576 577601....	2....	RUBBER, VIBRATION 1/2	47..	539 130235....	1....	RHSNB 3/8-16 x 2 3/4
17..	576 573701....	2....	BRACKET, CLAMP	48..	539 102933....	1....	RHSNB 5/16-18 x 1 1/2
18..	522 805301....	1....	CAP, HYDRAULIC	49..	539 113226....	2....	BOLT 5/16-18 x 1 THD FRM
19..	539 103316....	2....	CONNECTOR	50..	539 990613....	1....	NUT 3/8-16 HEX WHIZLK
20..	539 101239....	4....	CONNECTOR, STRAIGHT	51..	539 112899....	9....	NUT 5/16-18 HEX FLG NYLOC
21..	539 101237....	5....	CONNECTOR, STRAIGHT	52..	521 996501....	4....	NUT 3/8-16 HEX FLG NYLOC
22..	539 131748....	2....	CONNECTOR, HYDRO	53..	539 108732....	2....	NUT 3/8-24 HEX JAM
23..	510 010101....	1....	LINE, HYDRAULIC, RT-A	54..	539 990223....	4....	NUT 5/16-24 HEX
24..	510 010201....	1....	LINE, HYDRAULIC, RT-B	55..	539 200282....	8....	NUT 3/8-16 HEX JAM NYLOC
25..	510 010301....	1....	LINE, HYDRAULIC, LT-A	56..	521 991101..	13....	NUT 1/2-13 HEX FLG NYLOC
26..	510 010401....	1....	LINE, HYDRAULIC, LT-B	57..	539 105168....	1....	CAPNUT
27..	510 010501....	1....	LINE, HYDRAULIC, CHARGE	58..	539 990692....	4....	WASHER 5/16 STD FLT
28..	510 010601....	2....	LINE, HYDRAULIC, CASE	59..	539 990052....	2....	WASHER 1/4 SPLIT LOCK
29..	510 010701....	1....	LINE, HYDRAULIC, SUCTION	60..	539 109554....	1....	WASHER 1/2 FLAT
30..	575 872301....	1....	FILTER HEAD	61..	522 023401....	1....	WASHER 3/8 THICK
31..	522 842801....	2....	LINKAGE, CONTROL, RR	62..	539 115528....	1....	WASHER 1/2" BELLEVILLE

# WHEELS / TIRES

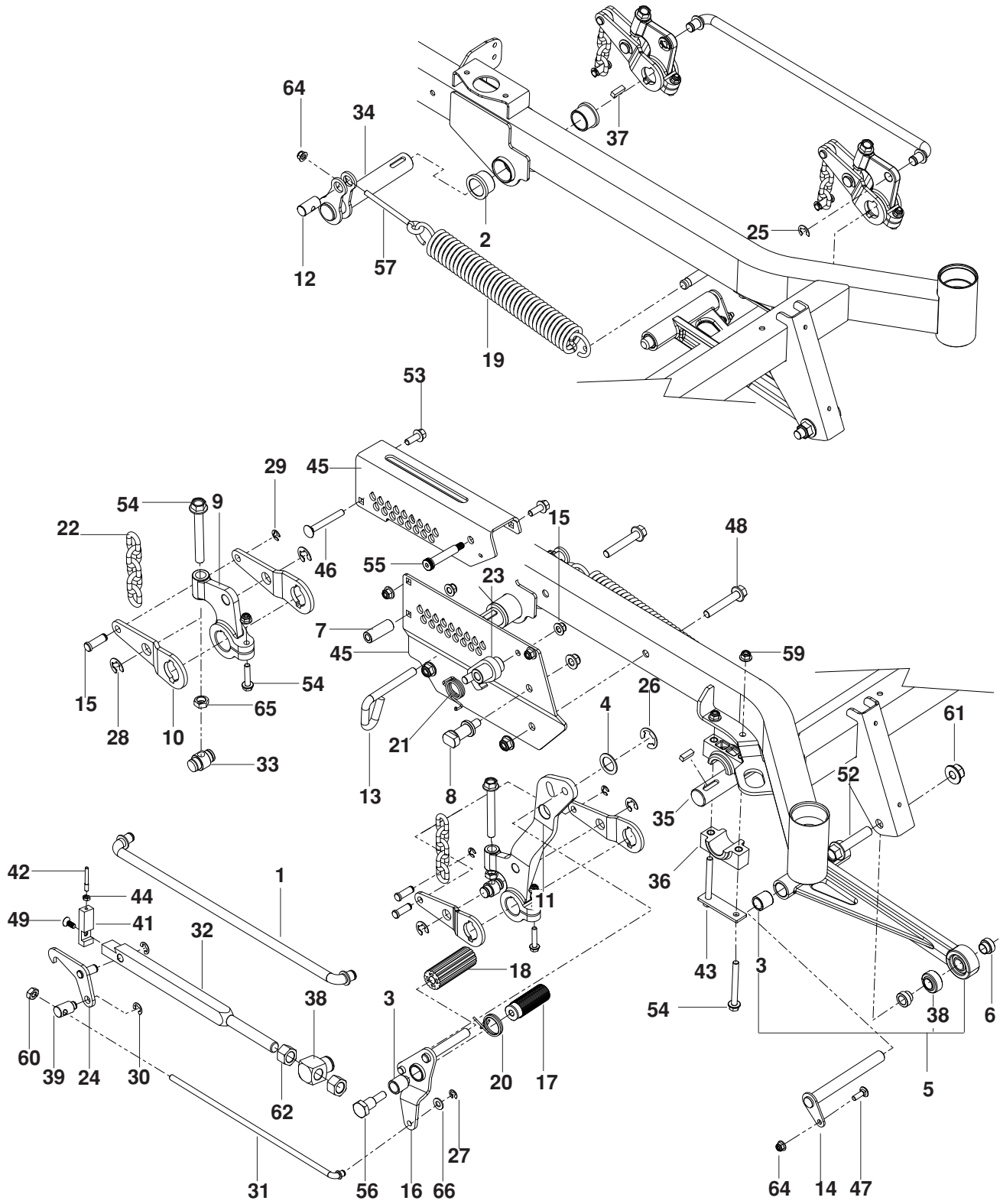


# WHEELS / TIRES

---

ITEM	PART NO.	QTY.	DESCRIPTION	ITEM	PART NO.	QTY.	DESCRIPTION
1..	510 034001....	2....	CAP, DUST	15..	522 905101....	2....	TIRE ASSY 23 x 10.5 966614001
2..	522 842601....	2....	NUT 3/4-16 HEX THIN NYLOC		510 154501 ...	2....	TIRE ASSY 24 x 12 967004001
3..	574 824701....	2....	WASHER 3/4 HARDENED	16..	522 905102....	2....	RIM 12 x 1.125 NEG OFFSET 966614001
4..	510 034401....	4....	BEARING, TAPERED		510 154502 ...	2....	RIM 12 x 1.75 NEG OFFSET 967004001
5..	510 034301....	2....	SEAL, BEARING	17..	539 107431....	2....	TIRE 23 x 10.5 TURF MASTER 966614001
6..	539 105518....	4....	AXLE SPACER		539 105152 ...	2....	TIRE 24 x 12 4 PLY 967004001
7..	510 154601....	2....	TIRE ASSY 13 x 6.5, FLT FREE	18..	539 105524....	2....	SEAL, CASTER TIRE
8..	539 105517....	2....	HCS 1/2-13 x 9 1/2 HEX NYLOC	19..	539 105525....	2....	BEARING (CUP AND CONE)
9..	521 991101....	2....	NUT 1/2-13 HEX FLG NYLOC	NOT SHOWN			
10..	525 611902....	2....	FORK, CASTER		539 105521 ...	2....	TIRE ASSY 13 x 6.5 PNEU (optional)
11..	539 990250....	2....	WASHER 1/2 SAE				
12..	539 101474....	2....	ZERK				
13..	539 103300....	2....	ZERK				
14..	539 912234....	2....	STEM, VALVE				

# MOWER LIFT / DECK LIFT

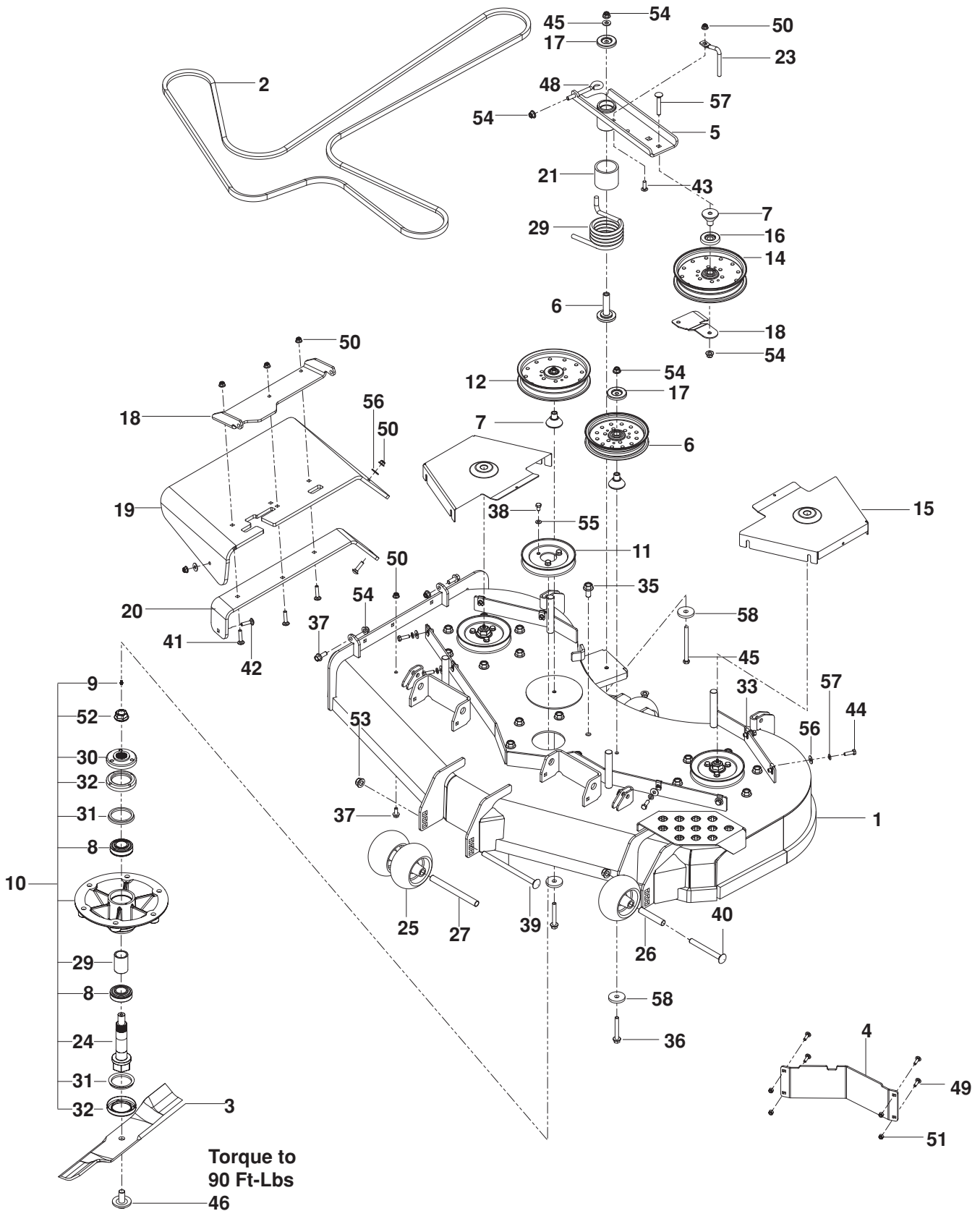




# MOWER LIFT / DECK LIFT

ITEM	PART NO.	QTY.	DESCRIPTION	ITEM	PART NO.	QTY.	DESCRIPTION
1..	510 089801....	2....	ROD, LIFT	34..	510 410703....	2....	SHAFT, LIFT RR
2..	510 089401....	4....	BUSHING, FLANGED 1¼ ID	35..	510 409602....	1....	SHAFT, LIFT FT
3..	510 089201....	2....	BUSHING, SLEEVE ¾ x 1	36..	510 023902....	4....	BLOCK, PILLOW
4..	539 916561....	1....	BUSHING 1" x 14 GA	37..	525 822501....	4....	KEY 5/16 SQ x 1
5..	510 106501....	2....	STRUT ASSY	38..	510 083801....	1....	SWIVEL ¾ BALLJOINT
6..	510 362501....	4....	SPACER, STRUT	39..	510 407501....	1....	SWIVEL, HEIGHT LATCH
7..	510 408401....	1....	SPACER, HEIGHT PLATE	40..	510 406401....	1....	SWIVEL, HEIGHT BAR
8..	510 406701....	1....	GUIDE, HEIGHT BAR	41..	510 406501....	1....	CAP, HEIGHT BAR
9..	510 022501....	1....	ARM, CAST LIFT	42..	510 406601....	1....	LINK, INDICATOR
10..	510 410002....	4....	ARM, LIFT	43..	525 822201....	2....	PLATE, PILLOW BLOCK
11..	510 022502....	1....	LEVER, DECK LIFT	44..	510 408502....	1....	PLATE, INNER HEIGHT
12..	510 412301....	2....	PIVOT, SPRING	45..	510 408602....	1....	PLATE, OUTER HEIGHT
13..	510 016501....	1....	PIN, HEIGHT	46..	539 122728....	1....	RHSNB ¾-16 x 3 GR2
14..	515 988201....	2....	PIN, STRUT	47..	539 990208....	2....	RHSNB 5/16-18 x 1
15..	510 090101....	8....	PIN 7/16 CLEVIS	48..	525 828901....	2....	HHFS ½-13 x 3 HEX FLG
16..	510 407801....	1....	PEDAL, RELEASE	49..	522 705601....	1....	HCS 5/16-18 x ¾ HEX SCKT
17..	510 408301....	1....	PEDAL, DECK HEIGHT	50..	525 465401....	1....	HHFS 5/16-18 x 1½ HEX FLG
18..	510 089501....	1....	PAD, FOOT PEDAL	51..	525 822101....	4....	HHFS ¾-16 x 3½ HEX FLG
19..	510 029201....	2....	SPRING, EXTENSION	52..	525 829001....	2....	HHFS 5/8-11 x 3 HEX FLG
20..	510 376701....	1....	SPRING, TORSION	53..	525 612801....	2....	HHFS ¾-16 x 1 HEX FLG
21..	510 376601....	1....	SPRING, TORSION	54..	525 465701....	4....	BOLT ½-13 x 4 HEX TPBLT
22..	539 102641....	4....	LIFT CHAIN	55..	516 035501....	1....	BOLT ½ x 2¼, ¾-16 SHLDR
23..	510 406801....	1....	LATCH, TRANSPORT	56..	510 408201....	1....	BOLT, SHOULDER
24..	510 407201....	1....	LATCH, HEIGHT	57..	539 120993....	2....	EYEBOLT 4½
25..	539 105069....	4....	E-RING 5/8	58..	539 991112....	1....	NUT ¼-20 JAM
26..	539 912730....	1....	E-RING 1"	59..	521 996501....	4....	NUT ¾-16 HEX FLG NYLOC
27..	539 990870....	1....	E- RING ¾"	60..	539 108732....	1....	NUT ¾-24 HEX JAM
28..	539 102454....	3....	E-RING ¾"	61..	525 829101....	2....	NUT 5/8-11 FLG NYLOC
29..	522 705201....	4....	E-RING 7/16"	62..	539 108677....	2....	NUT ¾-10 HEX
30..	539 101949....	2....	E-RING ½"	63..	521 991101....	3....	NUT ½-13 HEX FLG NYLOC
31..	510 407601....	1....	ROD, HEIGHT LATCH	64..	539 112899....	8....	NUT 5/16-18 HEX FLG NYLOC
32..	510 406301....	1....	BAR, HEIGHT	65..	539 990625....	4....	NUT ½-13 HEX JAM
33..	510 023601....	4....	SHAFT, LIFT TRUNION	66..	539 990122....	1....	WASHER ¾ SAE FLT

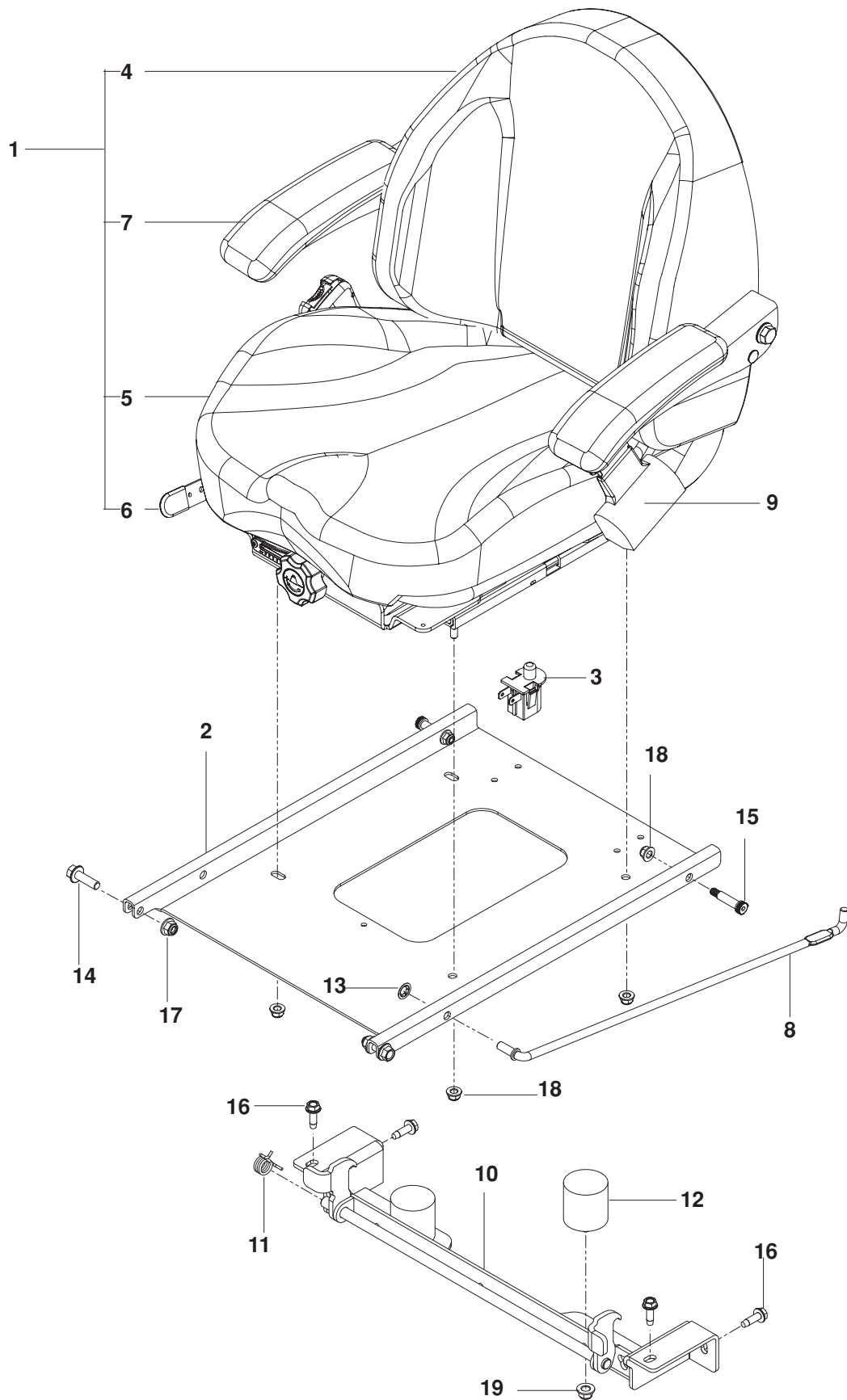
# MOWING DECK / CUTTING DECK



# MOWING DECK / CUTTING DECK

ITEM	PART NO.	QTY.	DESCRIPTION	ITEM	PART NO.	QTY.	DESCRIPTION
1..	574 497101....	1....	DECK w/ SAFETY DECALS	33..	539 104763....	8....	RETAINER, U TYPE
2..	574 285901....	1....	BELT, DECK	34..	525 464701....	3....	HHFS $\frac{5}{16}$ -18 x $\frac{3}{4}$ HEX FLG
3..	575 265901....	3....	BLADE, 19"	35..	574 210601..	18....	HHFS $\frac{1}{2}$ -13 x 1 HEX FLG
4..	510 437502....	1....	BAFFLE, FLOW DIVERTER	36..	539 131781....	2....	HHFS $\frac{3}{8}$ -16 x 2 $\frac{3}{4}$ HEX FLG
5..	574 722201....	1....	ARM ASSY, IDLER	37..	525 612801....	2....	HHFS $\frac{3}{8}$ -16 x 1 HEX FLG
6..	522 729701....	1....	BEARING, IDLER PIVOT	38..	539 130315....	9....	HCS $\frac{5}{16}$ -18 x $\frac{1}{2}$ HEX NYLOC
7..	510 263701....	3....	BEARING, IDLER ARM	39..	510 022401....	1....	RHSNB $\frac{1}{2}$ -13 x 8
8..	539 130638....	6....	BEARING	40..	510 022301....	2....	RHSNB $\frac{1}{2}$ -13 x 4 $\frac{3}{4}$
9..	539 976998....	3....	ZERK	41..	539 102933....	3....	RHSNB $\frac{5}{16}$ -18 x 1 $\frac{1}{2}$
10..	525 836401....	3....	SPINDLE ASSY	42..	539 100472....	2....	RHSNB $\frac{5}{16}$ -18 x 1 $\frac{1}{4}$
11..	521 979701....	3....	PULLEY	43..	539 107271....	1....	RHSNB $\frac{5}{16}$ -18 x 1 RD HD
12..	525 598201....	1....	PULLEY, IDLER 7" NARROW	44..	539 990209....	8....	HCS $\frac{5}{16}$ -18 x 1 HEX HD
13..	510 019601....	1....	PULLEY, IDLER 6"	45..	539 101686....	1....	HCS $\frac{3}{8}$ -16 x 4 $\frac{1}{2}$ HEX GR 8
14..	510 015101....	1....	PULLEY, IDLER 7" WIDE	46..	539 119007....	3....	BOLT, BLADE
15..	510 131202....	2....	SHIELD, BELT	47..	539 128101....	1....	BOLT $\frac{3}{8}$ -16 x 2 $\frac{1}{2}$ CARRIAGE
16..	510 262201....	1....	SHIELD, DUST	48..	574 202001....	1....	EYEBOLT $\frac{3}{8}$ x 4
17..	510 254501....	2....	SHIELD, DUST	49..	539 115620....	4....	BOLT $\frac{1}{4}$ -20 x $\frac{3}{4}$ CARRIAGE
18..	574 197002....	1....	BRACKET, CHUTE PIVOT	50..	539 112899....	9....	NUT $\frac{5}{16}$ -18 HEX FLG NYLOC
19..	525 485801....	1....	CHUTE, DISCHARGE	51..	539 976978....	4....	NUT $\frac{1}{4}$ -20 HEX NYLOC
20..	525 486002....	1....	SUPPORT, CHUTE BRACKET	52..	539 130653....	3....	NUT $\frac{3}{4}$ -16 FLG
21..	525 465601....	1....	SPACER, IDLER PIVOT	53..	521 991101....	3....	NUT $\frac{1}{2}$ -13 HEX FLG NYLOC
22..	539 130641....	3....	SPACER	54..	521 996501....	4....	NUT $\frac{3}{8}$ -16 HEX FLG NYLOC
23..	574 262201....	1....	KEEPER, BELT	55..	539 109600....	9....	WASHER $\frac{5}{16}$ DISC SPRING
24..	525 836001....	3....	SHAFT, SPINDLE	56..	539 990692..	10....	WASHER $\frac{5}{16}$ STD FLT
25..	574 169601....	4....	ROLLER, GAUGE	57..	539 990187....	8....	WASHER $\frac{5}{16}$ SLW
26..	574 196401....	2....	TUBE, ROLLER AXLE	58..	539 106504....	3....	WASHER, HEAVY
27..	574 196501....	1....	TUBE, ROLLER AXLE LONG	59..	522 023401....	1....	WASHER $\frac{3}{8}$ THICK
28..	574 262102....	1....	GUIDE, BELT	NOT SHOWN - OPTIONAL			
29..	525 310901....	1....	SPRING, TORSION		525 307001 ...	3....	BLADE, HIGH LIFT 19"
30..	539 130637....	3....	HUB		574 481101 ...	3....	BLADE, LOW LIFT 19"
31..	539 130639....	6....	V-RING		525 525901 ...	3....	BLADE, GATOR 19"
32..	539 130643....	6....	CUP, DEBRIS		574 486901 ...	3....	BLADE, WAVY REV LIFT 19"

# SEAT

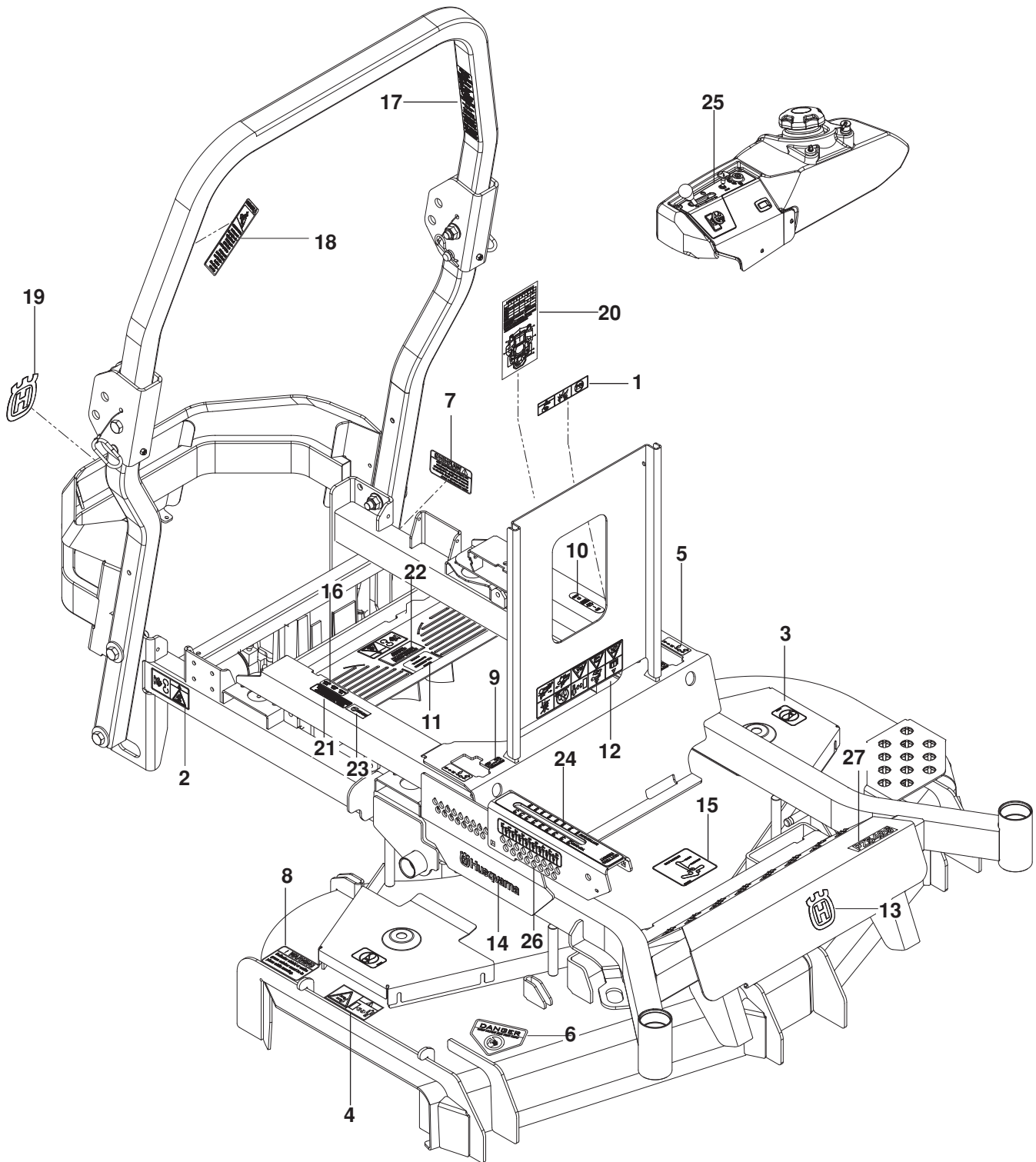


# SEAT

---

ITEM	PART NO.	QTY.	DESCRIPTION	ITEM	PART NO.	QTY.	DESCRIPTION
1..	574 284601....	1....	SEAT ASSY	10..	574 182202....	1....	LATCH, SEAT
2..	510 039302....	1....	PAN, SEAT	11..	520 283101....	1....	SPRING, TORSION
3..	539 119741....	1....	SWITCH, SEAT	12..	510 283801....	2....	BUMPER, RUBBER
4..	574 284602....	1....	COVER, BACK	13..	539 913847....	2....	RETAINER NUT <sup>3</sup> / <sub>8</sub>
5..	574 284603....	1....	COVER KIT, CUSHION	14..	525 834201....	2....	HHFS <sup>3</sup> / <sub>8</sub> -16 x 1 <sup>1</sup> / <sub>4</sub> HEX FLG
6..	574 284604....	1....	TRACK KIT	15..	515 990601....	2....	BOLT <sup>3</sup> / <sub>8</sub> x 1 <sup>1</sup> / <sub>4</sub> <sup>5</sup> / <sub>16</sub> -18 SHLDR
7..	574 284605....	1....	ARMREST, LT	16..	539 113226....	4....	BOLT <sup>5</sup> / <sub>16</sub> -18 x 1 THD FRM
	574 284606 ...	1....	ARMREST, RT	17..	521 996501....	2....	NUT <sup>3</sup> / <sub>8</sub> -16 HEX FLG NYLOC
8..	510 064101....	1....	ROD, SEAT	18..	539 112899....	6....	NUT <sup>5</sup> / <sub>16</sub> -18 HEX FLG NYLOC
9..	539 130359....	1....	SEAT BELT	19..	521 996501....	2....	NUT <sup>3</sup> / <sub>8</sub> -16 HEX FLG NYLOC

# DECALS



# DECALS

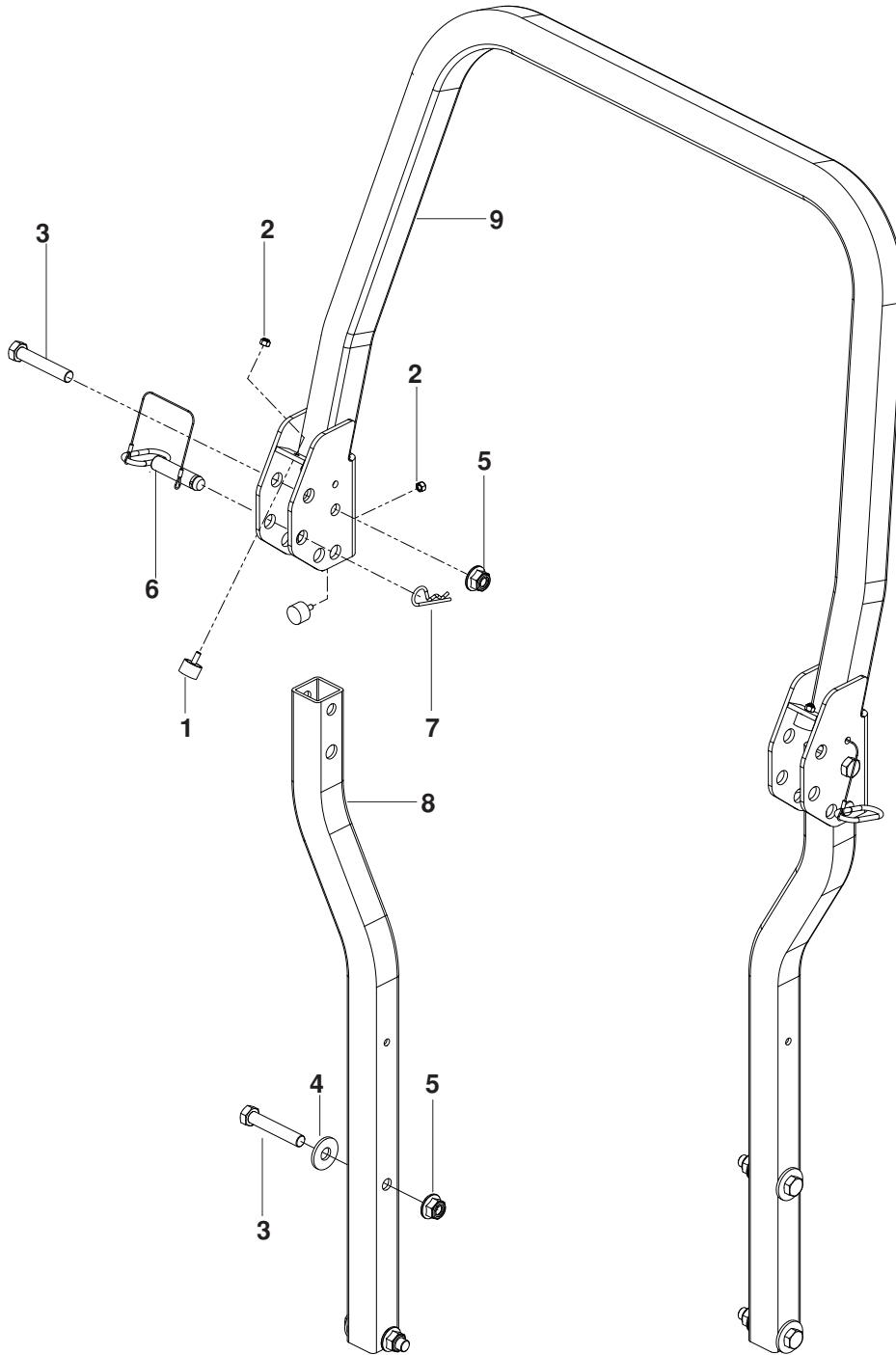
---

ITEM	PART NO.	QTY.	DESCRIPTION	ITEM	PART NO.	QTY.	DESCRIPTION
1..	539 105745....	1....	DECAL, BATTERY WARNING	19..	574 455001....	1....	EMBLEM, CROWN H LRG
2..	539 105744....	2....	DECAL, BELT DRIVE WARN	20..	574 825901....	1....	DECAL, SERVICE
3..	539 105743....	2....	DECAL, NO STEP	21..	532 424102....	1....	DECAL, SPARK ARRESTOR
4..	539 105746....	1....	DECAL, SEVERING	22..	574 815502....	1....	DECAL, HYDRO GEAR
5..	539 103333....	2....	DECAL, MOTION CONTROL	23..	574 110279....	1....	DECAL, ECM AUSTRALIA
6..	539 913010....	1....	DECAL, BLADE WARNING	24..	516 138101....	1....	DECAL, HEIGHT
7..	539 101881....	1....	DECAL, EXHAUST	25..	510 246602....	1....	DECAL, CONTROL
8..	539 113224....	1....	DECAL, DEFLECTOR	26..	525 349701....	1....	DECAL, HEIGHT
9..	539 110974....	2....	DECAL, TRACKING	27..	574 569601....	1....	DECAL, PZ5426
10..	539 120006....	1....	DECAL, PARK BRAKE	28..	574 569610....	1....	DECAL, PZ5430
11..	539 114832....	1....	DECAL, OIL TANK				
12..	539 107959....	1....	DECAL, WARNING				
13..	532 428676....	1....	EMBLEM, CROWN H SM				
14..	532 429196....	2....	EMBLEM, HUSQVARNA				
15..	574 437301....	1....	DECAL, BELT ROUTE				
16..	574 569401....	1....	DECAL, FUSE				
17..	574 569006....	1....	DECAL, ROPS				
18..	574 569002....	1....	DECAL, ROPS WARNING				

*NOTE: Decals used and decal placement will vary depending on model.*

# PROTECTION FRAME

---





# PROTECTION FRAME

---

ITEM	PART NO.	QTY.	DESCRIPTION	ITEM	PART NO.	QTY.	DESCRIPTION
1..	522 801401....	4....	BUMPER, MALE STUD 1/4-20	6..	574 388001....	2....	LATCH PIN w/ LANYARD
2..	539 976978....	4....	NUT 1/4-20 HEX NYLOC	7..	539 200715....	2....	PIN, HAIR
3..	539 115576....	6....	HCS 5/8-18 x 3 1/2	8..	574 330902....	2....	TUBE, SIDE GRAY
4..	539 102653....	4....	WASHER 5/8 STD FLAT	9..	575 324502....	1....	ROPS, TOP, GRAY
5..	525 829101....	6....	NUT 5/8-11 FLG NYLOC				

