

Gasoline containing up to 10% ethanol (E10) is acceptable for use in this machine. The use of any gasoline exceeding 10% ethanol (E10) will void the product warranty.

Parts Manual

PZ6029FX / 966614301
PZ29FX BF / 966553801



Please read the operator's manual carefully and make sure you understand the instructions before using the machine.

When you need spare parts or support in service questions, warranty issues, etc., please consult the following professional:

This Parts Manual belongs to the machine with the manufacturing number:	Engine	Transmission

Manufacturing Number

The machine's manufacturing number can be found on the printed plate affixed to the engine compartment.

Stated on the plate, from the top are:

- The machine's type designation (I.D.).
- The manufacturer's type number (Model).
- The machine's serial number (Serial no.)

Please have the type designation and serial number available when ordering spare parts.

The engine's manufacturing number is stamped on one of the valve covers.

The plate states:

- The engine's model.
- The engine's type.
- Code

Please have these available when ordering spare parts.

The wheel motors and hydrostatic pumps have a barcode decal affixed at the rear.

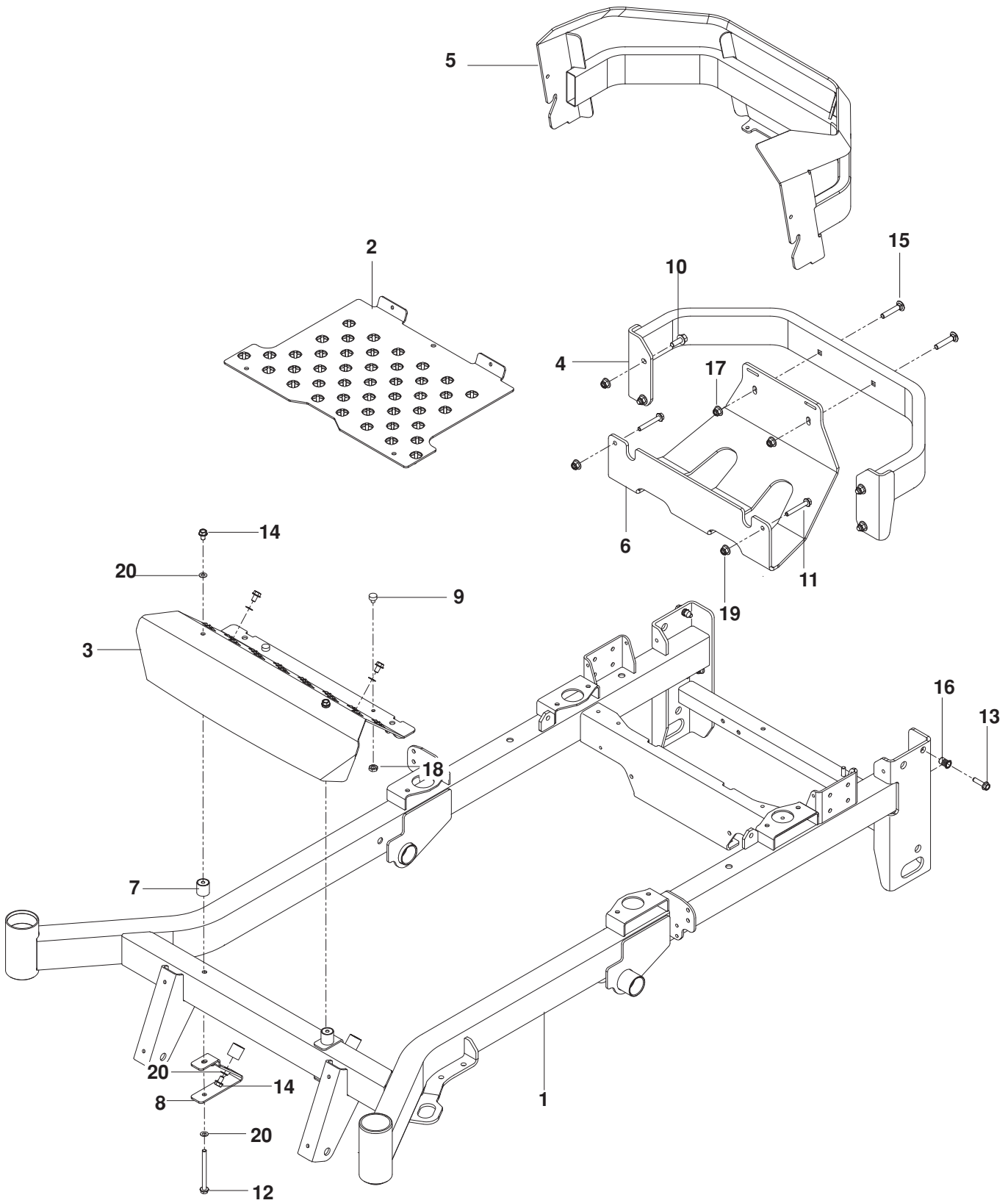
Accessories Available	
Collection System -----	966 406901
Mulch Kit 54" -----	966 050401
Mulch Kit 60" -----	966 444701
Mulch Kit 72" -----	966 051701
OCDC Kit 54", 60" ----- (Operator Controlled Discharge Chute)	966 488701
Bearing Kit 574 754201	

CONTENTS

FRAME.....	4
ENGINE PLATE.....	6
STEERING	8
IGNITION / FUEL	10
PARKING BRAKE	12
HYDRAULIC PUMP-MOTOR.....	14
WHEELS / TIRES	16
MOWER LIFT / DECK LIFT	18
MOWING DECK / CUTTING DECK	20
SEAT	22
DECALS.....	24
PROTECTION FRAME.....	26

NOTE: ALL FASTENERS ARE GRADE 5 UNLESS OTHERWISE SPECIFIED.

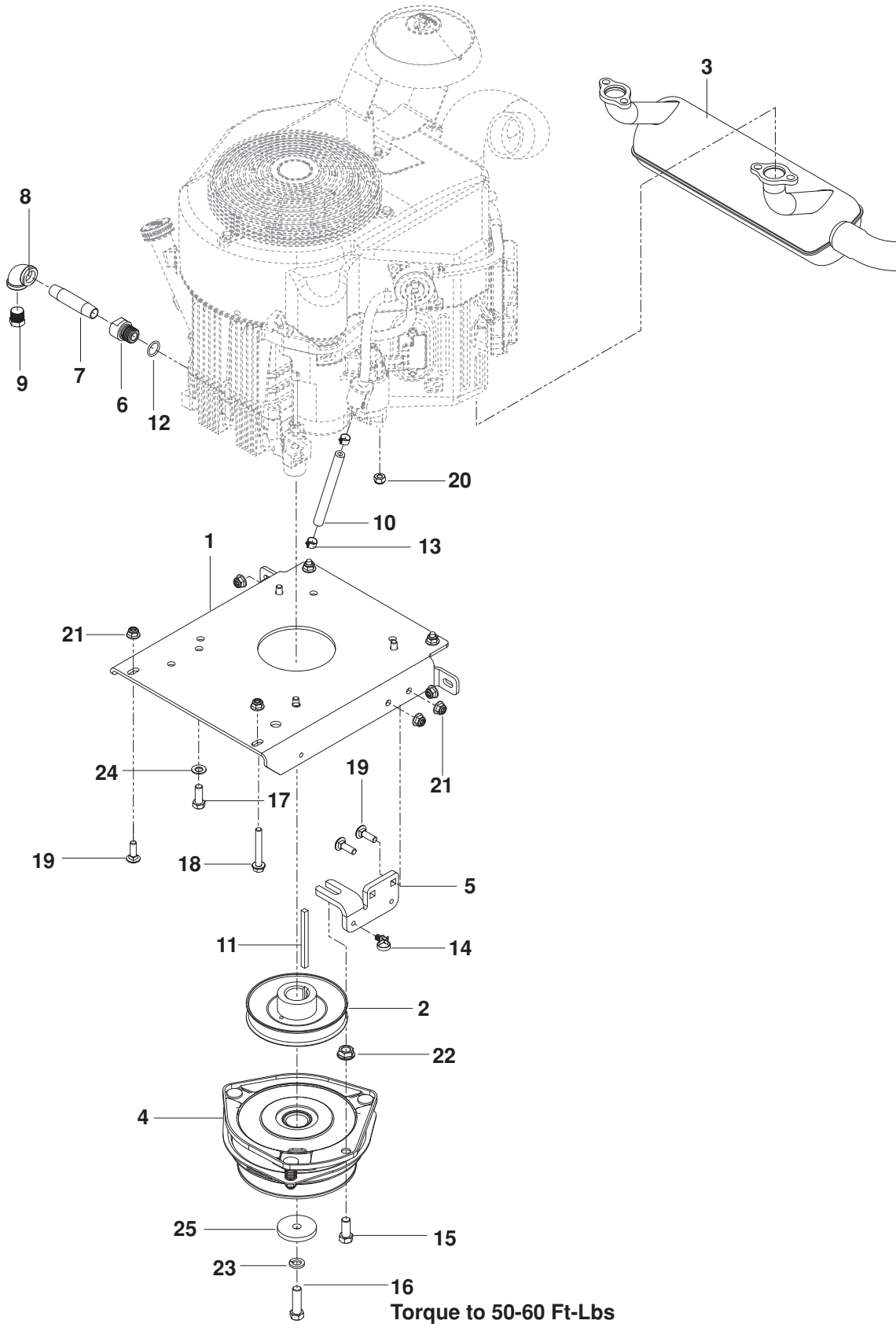
FRAME



FRAME

ITEM	PART NO.	QTY.	DESCRIPTION	ITEM	PART NO.	QTY.	DESCRIPTION
1..	574 482801....	1....	FRAME w/ SAFETY DECALS	11..	574 233801....	2....	HHFS $\frac{5}{16}$ -18 x 2 $\frac{1}{4}$ HEX FLG
2..	574 215602....	1....	FLOORPAN	12..	539 131780....	2....	HHFS $\frac{5}{16}$ -18 x 3 $\frac{3}{4}$ HEX FLG
3..	574 215702....	1....	FOOTREST	13..	525 544001....	2....	HHFS $\frac{5}{16}$ -18 x 1 $\frac{1}{4}$ TPBLT
4..	522 675702....	1....	BUMPER, REAR	14..	539 990858....	6....	HCS $\frac{5}{16}$ -18 x $\frac{1}{2}$ SLF TAP
5..	574 221602....	1....	GUARD, REAR	15..	539 100145....	2....	RHSNB $\frac{3}{8}$ -16 x 2
6..	574 228602....	1....	PLATE, SKID	16..	539 111028....	2....	NUTSERT $\frac{5}{16}$ -18
7..	510 083201....	4....	MOUNT, F/F INSERT	17..	521 996501....	7....	NUT $\frac{3}{8}$ -16 HEX FLG NYLOC
8..	510 040301....	2....	BRACKET, REST MOUNT	18..	539 108120....	2....	NUT $\frac{1}{4}$ -20 HEX THIN NYLOC
9..	575 811501....	2....	BUMPER, $\frac{1}{4}$ -20 STUD $\frac{3}{8}$ "	19..	539 112899....	2....	NUT $\frac{5}{16}$ -18 HEX FLG NYLOC
10..	525 612801....	4....	HHFS $\frac{3}{8}$ -16 x 1 HEX FLG	20..	539 109600....	8....	WASHER $\frac{5}{16}$ DISC SPRING

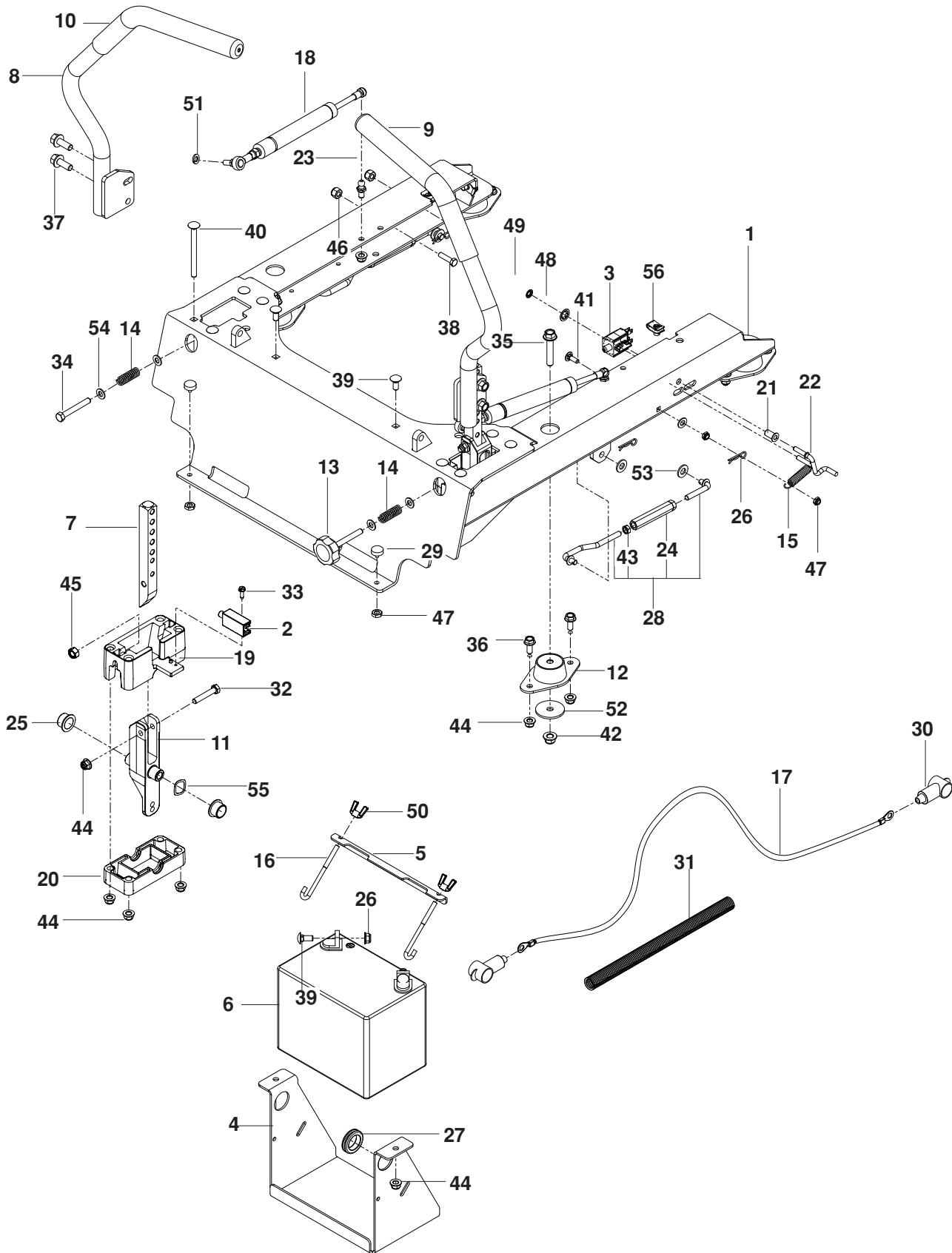
ENGINE PLATE



ENGINE PLATE

ITEM	PART NO.	QTY.	DESCRIPTION	ITEM	PART NO.	QTY.	DESCRIPTION
1..	510 004602....	1....	PLATE, ENGINE	15..	539 100143....	1....	HCS 7/16-14 x 1 HEX NYLOC
2..	510 019801....	1....	PULLEY, ENGINE	16..	539 100141....	1....	HCS 7/16-20 x 1 1/2 HEX NYL
3..	525 750301....	1....	MUFFLER	17..	539 990563....	4....	HCS 3/8-16 x 1 HEX NYLOC
4..	525 749501....	1....	CLUTCH, GT 3.5	18..	574 233801....	3....	HHFS 5/16-18 x 2 1/4 HEX FLG
5..	522 676702....	1....	STOP, CLUTCH	19..	539 990208....	3....	RHSNB 5/16-18 x 1
6..	539 119680....	1....	ADAPTOR, OIL DRAIN	20..	539 103153....	1....	NUT M8X1.25 NYLOC
7..	539 118911....	1....	PIPE 3/8 NPT x 3"	21..	539 112899....	8....	NUT 5/16-18 HEX FLG NYLOC
8..	539 105072....	1....	ELBOW 90°	22..	539 102582....	1....	NUT 7/16-14 HEX WHIZ LK
9..	522 837001....	1....	PLUG 3/8 NPTF DRAIN	23..	539 990247....	1....	WASHER 7/16 SLW
10..	539 932956....	1....	FUEL LINE 10"	24..	539 102593....	4....	WASHER 3/8 SPRING
11..	525 749901....	1....	KEY 1/4 SQ x 3 1/2	25..	539 125626....	1....	WASHER, HEAVY
12..	539 109618....	1....	O-RING	NOT SHOWN			
13..	539 912222....	2....	CLAMP, HOSE	525 554201 ...	1....	ENGINE HARNESS, KAW	
14..	505 280001....	1....	TIE WRAP w/ CLIP	574 825801 ...	1....	KIT, SPARK ARRESTOR	

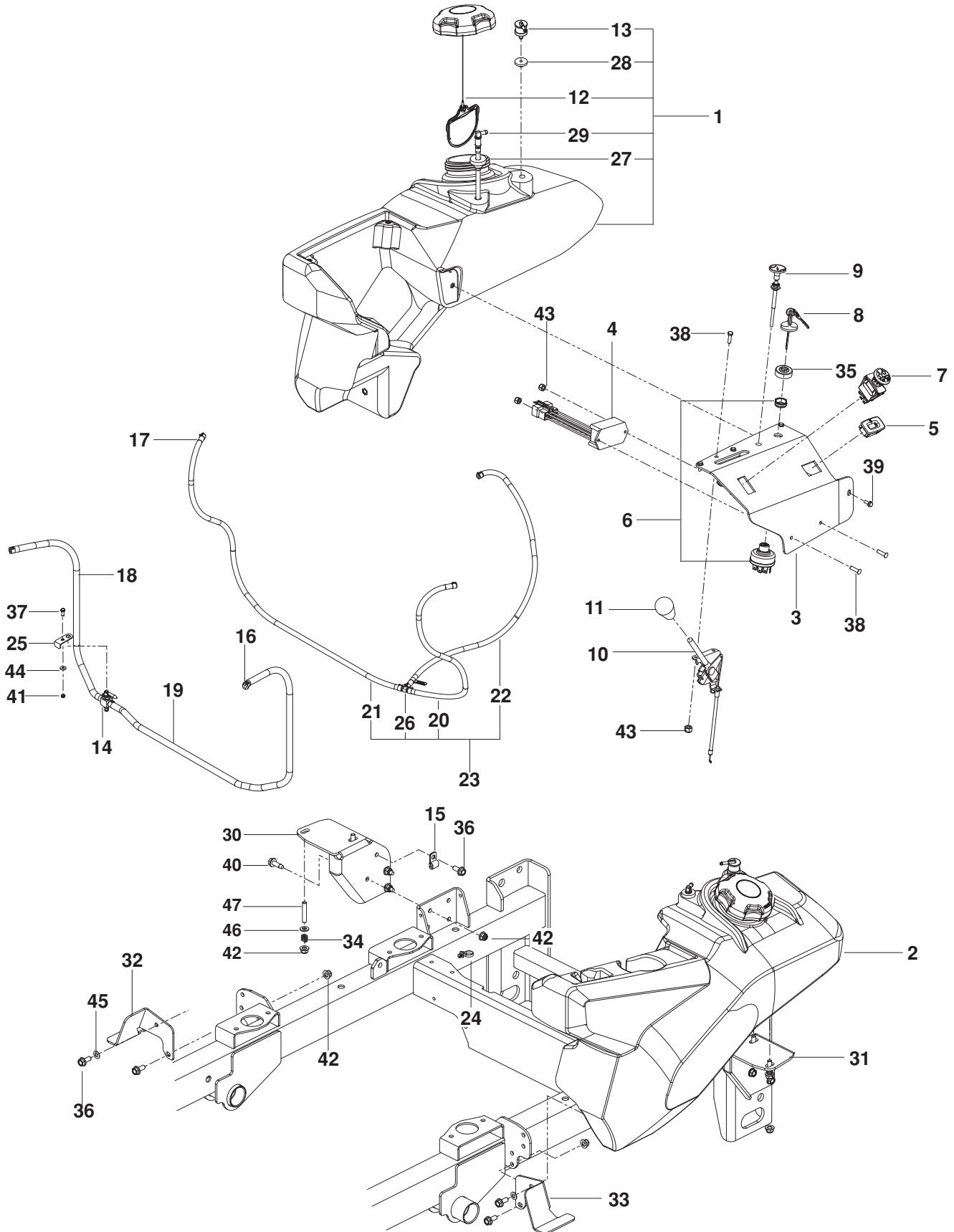
STEERING



STEERING

ITEM	PART NO.	QTY.	DESCRIPTION	ITEM	PART NO.	QTY.	DESCRIPTION
1..	574 189602....	1....	FRAME MOUNT	31..	574 235301....	1....	LOOM, SPLIT 5/8
2..	539 101080....	2....	SWITCH N.C.	32..	539 990669....	2....	HCS 5/16-18 x 1 3/4 HEX NYLOC
3..	539 113792....	1....	SWITCH, BRAKE (3-POLE)	33..	539 991034....	2....	HCS 10-24 x 5/8 WSH HD
4..	510 029902....	1....	BRACKET, BATTERY	34..	539 108396....	1....	HCS 5/16-18 x 2 1/2 HEX TPBLT
5..	510 030001....	1....	BRACKET, BATTERY MOUNT	35..	525 866201....	4....	HHFS 3/8-16 x 2 HEX FLG
6..	539 102463....	1....	BATTERY	36..	525 464701....	8....	HHFS 5/16-18 x 3/4 HEX FLG
7..	574 269401....	2....	LEVER, MOTION	37..	525 612801....	4....	HHFS 3/8-16 x 1 HEX FLG
8..	574 262701....	1....	LEVER w/ GRIP, RT	38..	574 822701....	2....	SCREW 10-24 x 3/4 SCKT HD
9..	574 262702....	1....	LEVER w/ GRIP, LT	39..	539 990316....	4....	RHSNB 5/16-18 x 3/4
10..	539 130894....	2....	GRIP, LEVER	40..	539 131665....	8....	RHSNB 5/16-18 x 3 3/4
11..	510 113301....	2....	LEVER, CONTROL w/BSHG	41..	539 990074....	1....	RHSNB 1/4-20 x 3/4 GR2 RD HD
12..	510 082101....	4....	MOUNT, ISO	42..	525 996501....	4....	NUT 3/8-16 HEX FLG NYLOC
13..	539 131799....	1....	KNOB	43..	539 108732....	1....	NUT 3/8-24 HEX JAM
14..	539 101224....	2....	SPRING	44..	539 112899..	25....	NUT 5/16-18 HEX FLG NYLOC
15..	539 020035....	1....	SPRING	45..	539 990196....	2....	NUT 5/16-18 HEX
16..	510 064001....	2....	J HOOK	46..	539 976977....	2....	NUT 10-24 HEX NYLOC
17..	522 718701....	1....	CABLE, POSITIVE	47..	539 108120....	4....	NUT 1/4-20 HEX THIN NYLOC
18..	516 020301....	2....	DAMPENER ASSY	48..	539 913847....	2....	NUT 3/8 RETAINER
19..	539 131517....	2....	BLOCK, UPPER	49..	539 102234....	1....	NUT 1/4 PUSH
20..	539 131519....	2....	BLOCK, LOWER	50..	539 990997....	2....	NUT 1/4-20 WING NYL
21..	511 594901....	1....	BUSHING 1/4 FLANGE	51..	539 990187....	2....	WASHER 5/16 SLW
22..	511 595001....	1....	LINK, SWITCH	52..	539 111897....	4....	WASHER 3/8 SPECIAL
23..	539 110607....	2....	BALL STUD 10MM	53..	539 990122....	4....	WASHER 3/8 SAE FLT
24..	539 109149....	1....	TURNBUCKLE 3/8	54..	539 990188....	5....	WASHER 5/16 SAE FLAT
25..	539 131518....	4....	BEARING, FLANGE	55..	539 133007....	1....	WASHER, WAVE
26..	539 976988....	4....	HAIRPIN COTTER	56..	539 104763....	4....	RETAINER, U TYPE
27..	539 105974....	1....	GROMMET, RUBBER	NOT SHOWN			
28..	525 447901....	2....	STRUT, SEAT	510 093601 ...	1....	HARNES, MAIN WIRING	
29..	575 811501....	2....	BUMPER 1/4-20 STUD 3/8	522 710701 ...	1....	CABLE, NEGATIVE	
30..	539 102759....	2....	INSULATOR				

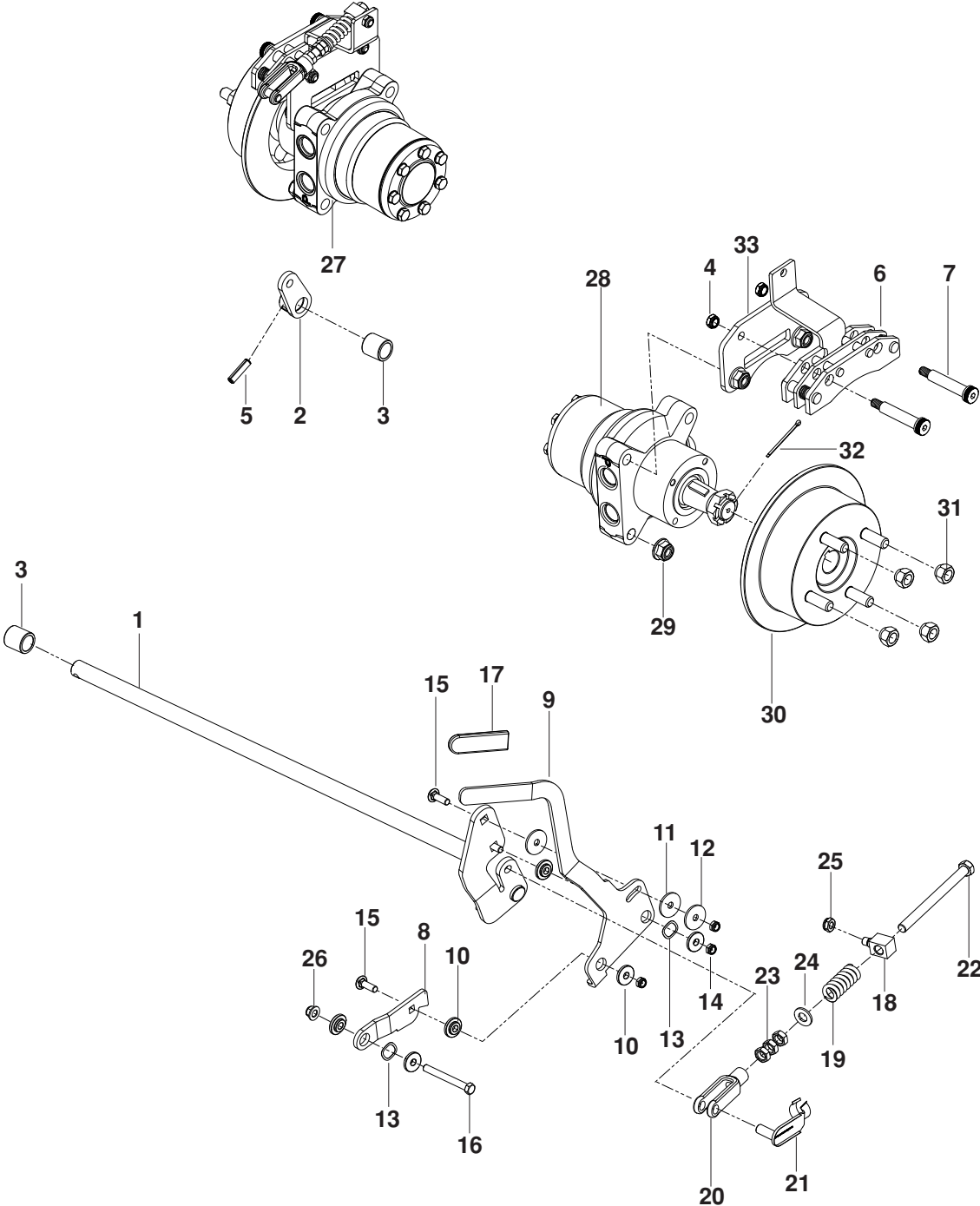
IGNITION / FUEL



IGNITION / FUEL

ITEM	PART NO.	QTY.	DESCRIPTION	ITEM	PART NO.	QTY.	DESCRIPTION
1..	576 369202....	1....	TANK ASSY, RT	25..	577 104002....	1....	BRACKET, VALVE
2..	576 369102....	1....	TANK ASSY, LT	26..	574 206602....	1....	TEE ³ / ₁₆ FUEL LINE
3..	529 280202....	1....	PANEL, CONTROL	27..	539 105245....	2....	GROMMET, RUBBER
4..	574 514001....	1....	TIMER, SEAT	28..	576 618201....	2....	GROMMET, CHECK VALVE
5..	576 179401....	1....	HOUR METER	29..	525 865401....	2....	FITTING, FUEL
6..	574 455401....	1....	SWITCH, IGNITION	30..	529 279603....	1....	MOUNT, TANK RT RR
7..	539 131627....	1....	SWITCH, PTO 10 AMP	31..	529 279703....	1....	MOUNT, TANK LT RR
8..	574 455501....	1....	KEY, IGNITION	32..	529 279903....	1....	MOUNT, TANK RT FRT
9..	574 206901....	1....	CABLE, CHOKE	33..	529 280003....	1....	MOUNT, TANK LT FRT
10..	574 207001....	1....	CABLE, THROTTLE	34..	539 102845....	4....	SPRING, TANK MOUNT
11..	539 132624....	1....	KNOB	35..	539 103178....	1....	CAP, IGNITION SWITCH
12..	575 018101....	2....	CAP w/ TETHER, FUEL	36..	525 464701....	7....	HHFS ⁵ / ₁₆ -18 x ³ / ₄ HEX FLG
13..	576 618101....	2....	VALVE, FUEL CHECK	37..	539 990580....	1....	HCS ¹ / ₄ -20 x ³ / ₄
14..	539 102679....	1....	VALVE, FUEL	38..	574 822701....	4....	SCREW 10-24 x ³ / ₄ SKT HD
15..	539 109867....	1....	CLAMP, DOUBLE TUBE	39..	539 114341....	3....	SCREW 10-24 x ³ / ₈ SKT HD
16..	539 912222....	4....	CLAMP	40..	539 113226....	6....	BOLT ⁵ / ₁₆ -18 x 1 THD FRM
17..	575 436501....	6....	CLAMP, HOSE	41..	539 108120....	1....	NUT ¹ / ₄ -20 HEX THIN NYLOC
18..	577 103901....	1....	LINE 22" FUEL	42..	539 112899..	13....	NUT ⁵ / ₁₆ -18 HEX FLG NYLOC
19..	577 103902....	1....	LINE 38" FUEL	43..	539 976977....	4....	NUT 10-24 HEX NYLOC
20..	576 660603....	1....	HOSE ³ / ₁₆ 21"	44..	539 990598....	1....	WASHER ¹ / ₄ FLAT
21..	576 660601....	1....	HOSE ³ / ₁₆ 39"	45..	539 109600....	4....	WASHER ⁵ / ₁₆ DISC SPRING
22..	576 660604....	1....	HOSE ³ / ₁₆ 30"	46..	539 990188....	4....	WASHER ⁵ / ₁₆ SAE FLAT
23..	576 547701....	1....	VAPOR LINE ASSY	47..	539 102502....	4....	STUD, FUEL TANK
24..	505 280001....	2....	TIE WRAP w/ CLIP				

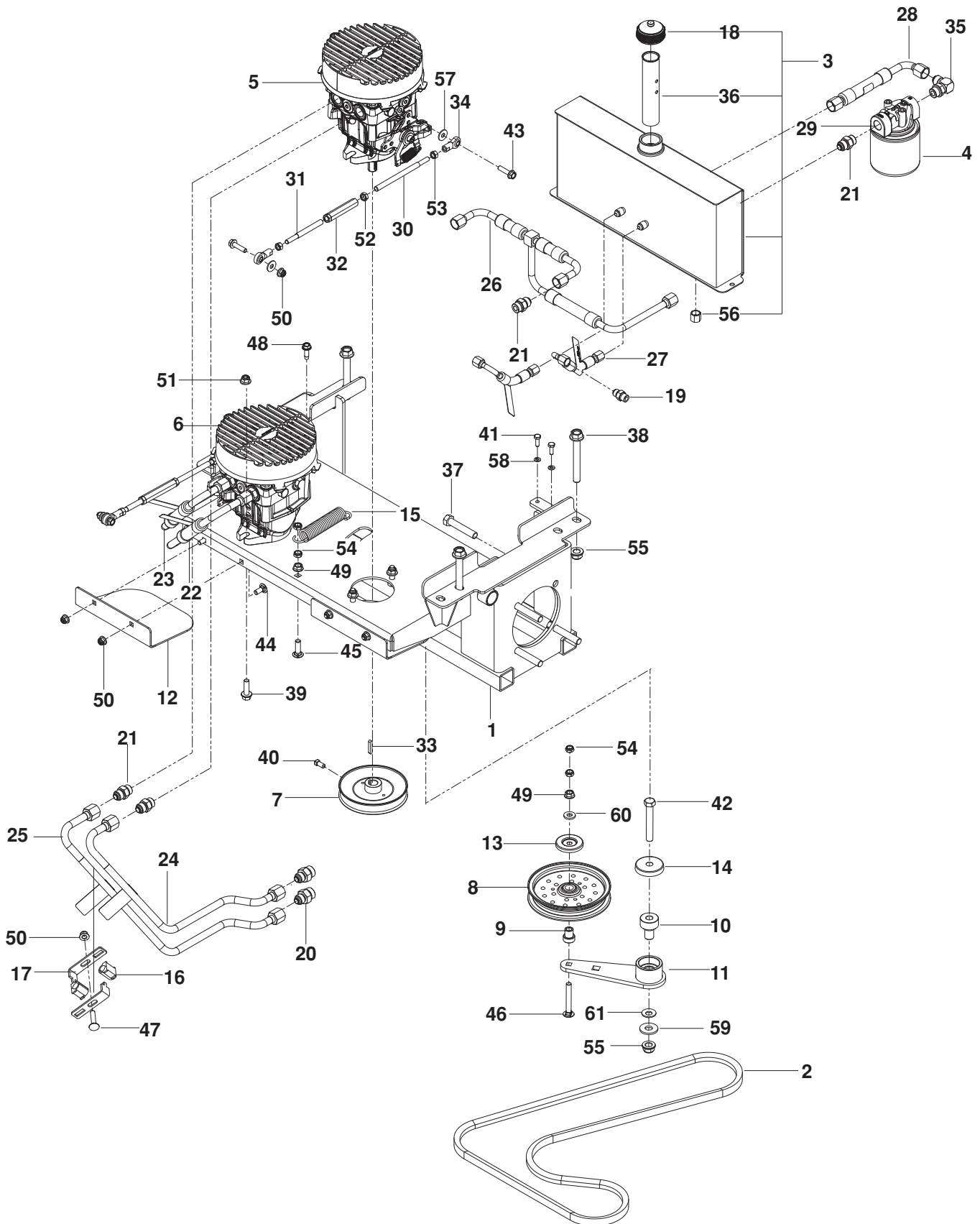
PARKING BRAKE



PARKING BRAKE

ITEM	PART NO.	QTY.	DESCRIPTION	ITEM	PART NO.	QTY.	DESCRIPTION
1..	525 851201....	1....	SHAFT, BRAKE	18..	525 851401....	1....	SWIVEL, BRAKE
2..	510 025901....	1....	ARM, RT BRAKE	19..	539 113952....	1....	SPRING
3..	510 089201....	2....	BUSHING, SLEEVE 3/4 x 1	20..	539 977465....	1....	YOKE
4..	539 200282....	6....	NUT 3/8-16 HEX JAM NYLOC	21..	522 705901....	1....	PIN 3/8 CLEVIS SPRING
5..	539 110631....	1....	ROLL PIN 5/16" DIA.	22..	539 104984....	1....	HHFS 3/8-24 x 4 1/2 HEX NYL
6..	539 133047....	2....	CALIPER	23..	539 108732....	3....	NUT 3/8-24 HEX JAM
7..	516 035501....	4....	BOLT 1/2 x 2 1/4, 3/8-16 SHLDR	24..	539 990122....	1....	WASHER 3/8 SAE FLT
8..	515 980301....	1....	LINK, FOLLOWER	25..	539 115617....	1....	NUT 5/16-18 HEX NYLOC INS
9..	515 980002....	1....	LEVER, BRAKE	26..	521 996501....	1....	NUT 3/8-16 HEX FLG NYLOC
10..	539 132161....	6....	BUSHING, BRAKE	27..	574 805202....	1....	MOTOR, RT
11..	525 490901....	2....	WASHER, FRICTION	28..	574 805201....	1....	MOTOR, LT
12..	539 912063....	1....	WASHER, CONE	29..	521 991101....	8....	NUT 1/2-13 HEX FLG NYLOC
13..	539 133007....	2....	WASHER, WAVE	30..	525 848701....	2....	HUB, DISC BRAKE w/ STUDS
14..	539 200282....	3....	NUT 3/8-16 HEX JAM NYLOC	31..	539 101173....	8....	LUG NUT 1/2
15..	539 100413....	3....	RHSNB 3/8-16 x 1 1/4	32..	539 102889....	2....	COTTER PIN 1/8 x 2
16..	539 923463....	1....	HHFS 3/8-16 x 3 1/4 HEX NYLOC	33..	525 851601....	2....	PLATE, CALIPER
17..	539 976526....	1....	GRIP, LEVER				

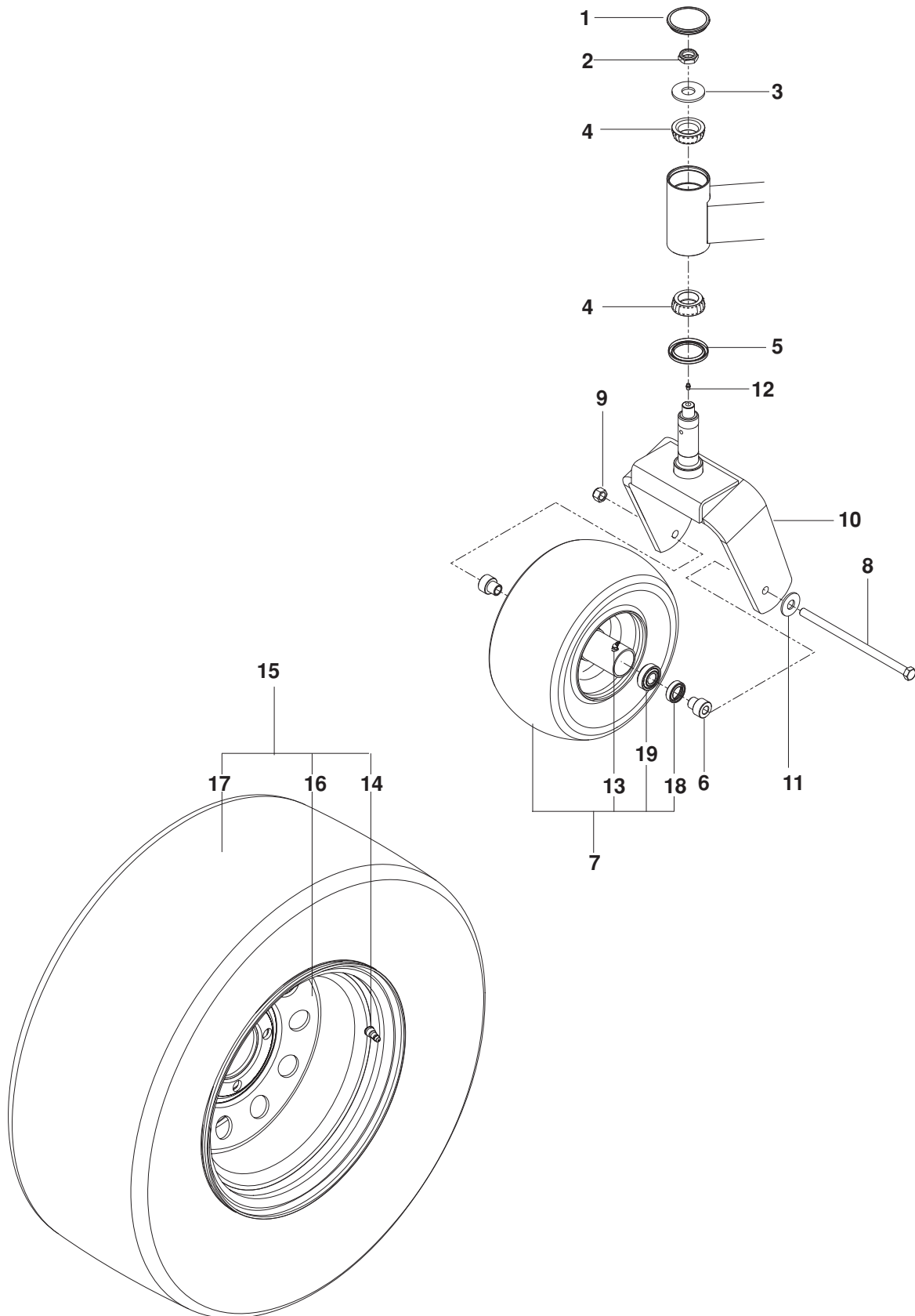
HYDRAULIC PUMP-MOTOR



HYDRAULIC PUMP-MOTOR

ITEM	PART NO.	QTY.	DESCRIPTION	ITEM	PART NO.	QTY.	DESCRIPTION
1..	506 007902....	1....	FRAME, SUB	32..	539 109149....	2....	TURNBUCKLE 3/8
2..	573 978301....	1....	BELT	33..	539 101177....	2....	KEY, METRIC
3..	576 035902....	1....	OIL TANK ASSY	34..	539 102590....	4....	BALL END, RT
4..	522 805401....	1....	FILTER, 25 MICRON	35..	539 101242....	1....	ELBOW 90° ADJ
5..	506 120401....	1....	PUMP, 16CC RT	36..	522 805001....	1....	TUBE, ANTI-SPLASH
6..	506 120501....	1....	PUMP, 16CC LT	37..	539 101332....	8....	HHFS 1/2-13 x 2 3/4 HEX NYLOC
7..	510 019002....	2....	PULLEY, PUMP, 17MM	38..	525 544801....	4....	HHFS 1/2-13 x 4 HEX FLG
8..	510 019002....	1....	PULLEY, IDLER	39..	525 834201....	4....	HHFS 3/8-16 x 1 1/4 HEX FLG
9..	525 435601....	1....	PIVOT, IDLER	40..	539 102717....	4....	HCS 5/16-18 x 5/8 SET
10..	510 206301....	1....	PIVOT, BEARING	41..	539 990072....	2....	HCS 1/4-20 x 5/8 HEX NYLOC
11..	510 041603....	1....	ARM, IDLER, w/ BEARINGS	42..	539 103433....	1....	HCS 1/2-13 x 3 1/4 HEX NYLOC
12..	574 398502....	2....	SHIELD, PULLEY	43..	525 544001....	4....	HCS 5/16-18 x 1 1/4 TPBLT
13..	510 254501....	1....	SHIELD, DUST	44..	539 990316....	4....	RHSNB 5/16-18 x 3/4
14..	539 114662....	1....	SHIELD, DUST	45..	539 100413....	1....	RHSNB 3/8-16 x 1 1/4
15..	577 437201....	1....	SPRING, PUMP	46..	539 130235....	1....	RHSNB 3/8-16 x 2 3/4
16..	576 577601....	2....	RUBBER, VIBRATION 1/2	47..	539 102933....	1....	RHSNB 5/16-18 x 1 1/2
17..	576 573701....	2....	BRACKET, CLAMP	48..	539 113226....	2....	BOLT 5/16-18 x 1 THD FRM
18..	522 805301....	1....	CAP, HYDRAULIC	49..	539 990613....	1....	NUT 3/8-16 HEX WHIZLK
19..	539 103316....	2....	CONNECTOR	50..	539 112899....	9....	NUT 5/16-18 HEX FLG NYLOC
20..	539 101239....	4....	CONNECTOR, STRAIGHT	51..	521 996501....	4....	NUT 3/8-16 HEX FLG NYLOC
21..	539 101237....	7....	CONNECTOR, STRAIGHT	52..	539 108732....	2....	NUT 3/8-24 HEX JAM
22..	510 013601....	1....	LINE, HYDRAULIC, RT-A	53..	539 990223....	4....	NUT 5/16-24 HEX
23..	510 013701....	1....	LINE, HYDRAULIC, RT-B	54..	539 200282....	8....	NUT 3/8-16 HEX JAM NYLOC
24..	510 013801....	1....	LINE, HYDRAULIC, LT-A	55..	521 991101..	13....	NUT 1/2-13 HEX FLG NYLOC
25..	510 013901....	1....	LINE, HYDRAULIC, LT-B	56..	539 105168....	1....	CAPNUT
26..	510 014001....	1....	LINE, HYDRAULIC, CHARGE	57..	539 990692....	4....	WASHER 5/16 STD FLT
27..	510 014501....	2....	LINE, HYDRAULIC, CASE	58..	539 990052....	2....	WASHER 1/4 SPLIT LOCK
28..	510 010701....	1....	LINE, HYDRAULIC, SUCTION	59..	539 109554....	1....	WASHER 1/2 FLAT
29..	575 872301....	1....	FILTER HEAD	60..	522 023401....	1....	WASHER 3/8 THICK
30..	522 842801....	2....	LINKAGE, CONTROL, RR	61..	539 115528....	1....	WASHER 1/2" BELLEVILLE
31..	522 559201....	2....	LINKAGE, CONTROL, FT				

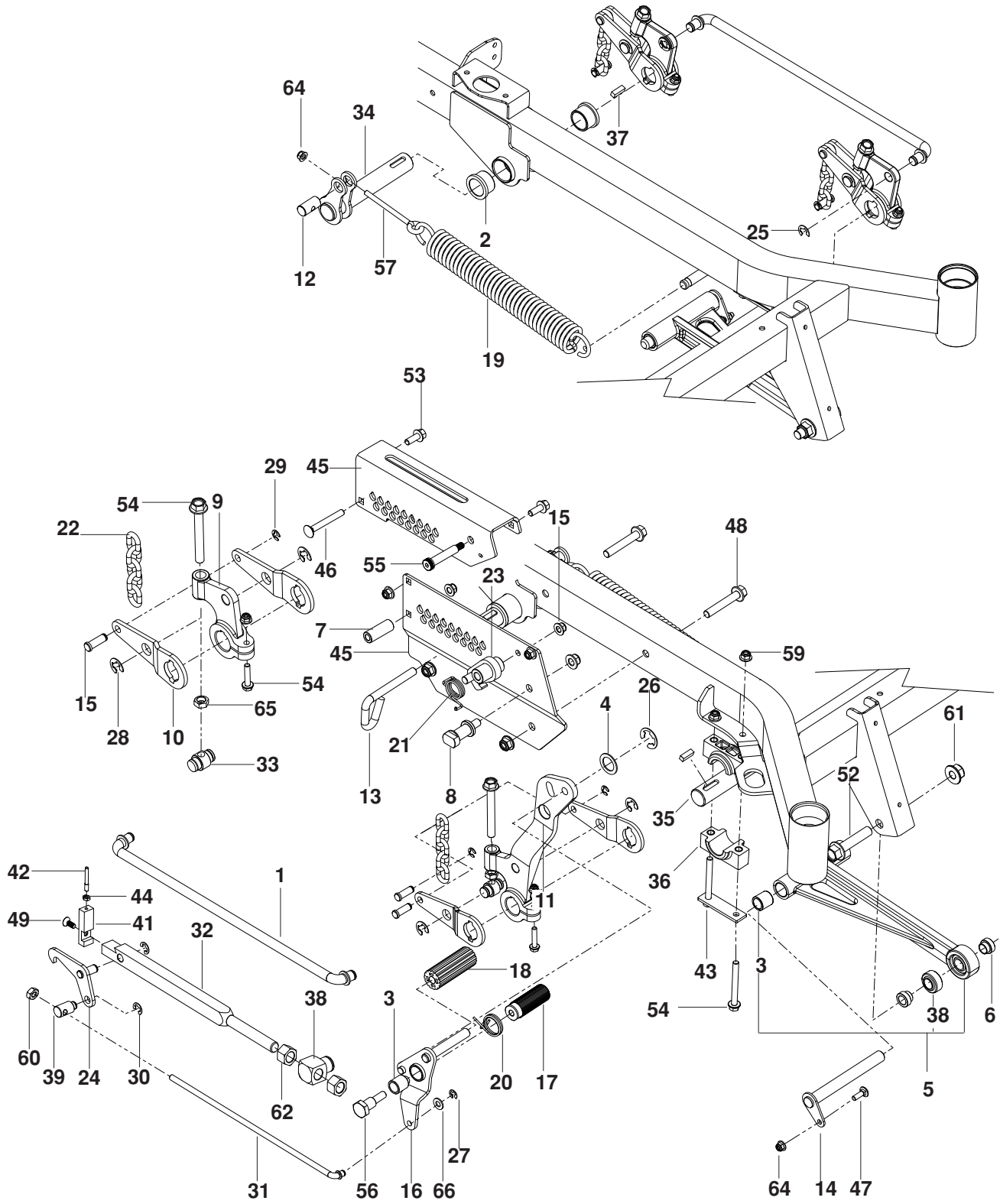
WHEELS / TIRES



WHEELS / TIRES

ITEM	PART NO.	QTY.	DESCRIPTION	ITEM	PART NO.	QTY.	DESCRIPTION
1..	510 034001....	2....	CAP, DUST	12..	539 101474....	2....	ZERK
2..	522 842601....	2....	NUT 3/4-16 HEX THIN NYLOC	13..	539 103300....	2....	ZERK
3..	574 824701....	2....	WASHER 3/4 HARDENED	14..	539 912234....	2....	STEM, VALVE
4..	510 034401....	4....	BEARING, TAPERED	15..	510 154501....	2....	TIRE ASSY 24 x 12
5..	510 034301....	2....	SEAL, BEARING	16..	522 905102....	2....	RIM 12 x 1.125 NEG OFFSET
6..	539 105518....	4....	AXLE SPACER	17..	539 105152....	2....	TIRE 24 x 12 4 PLY
7..	510 154601....	2....	TIRE ASSY 13 x 6.5, FLT FREE	18..	539 105524....	2....	SEAL, CASTER TIRE
8..	539 105517....	2....	HCS 1/2-13 x 9 1/2 HEX NYLOC	19..	539 105525....	2....	BEARING (CUP AND CONE)
9..	521 991101....	2....	NUT 1/2-13 HEX FLG NYLOC	NOT SHOWN			
10..	525 611902....	2....	FORK, CASTER	539 105521 ...	2....	TIRE ASSY 13 x 6.5 PNEU (optional)	
11..	539 990250....	2....	WASHER 1/2 SAE				

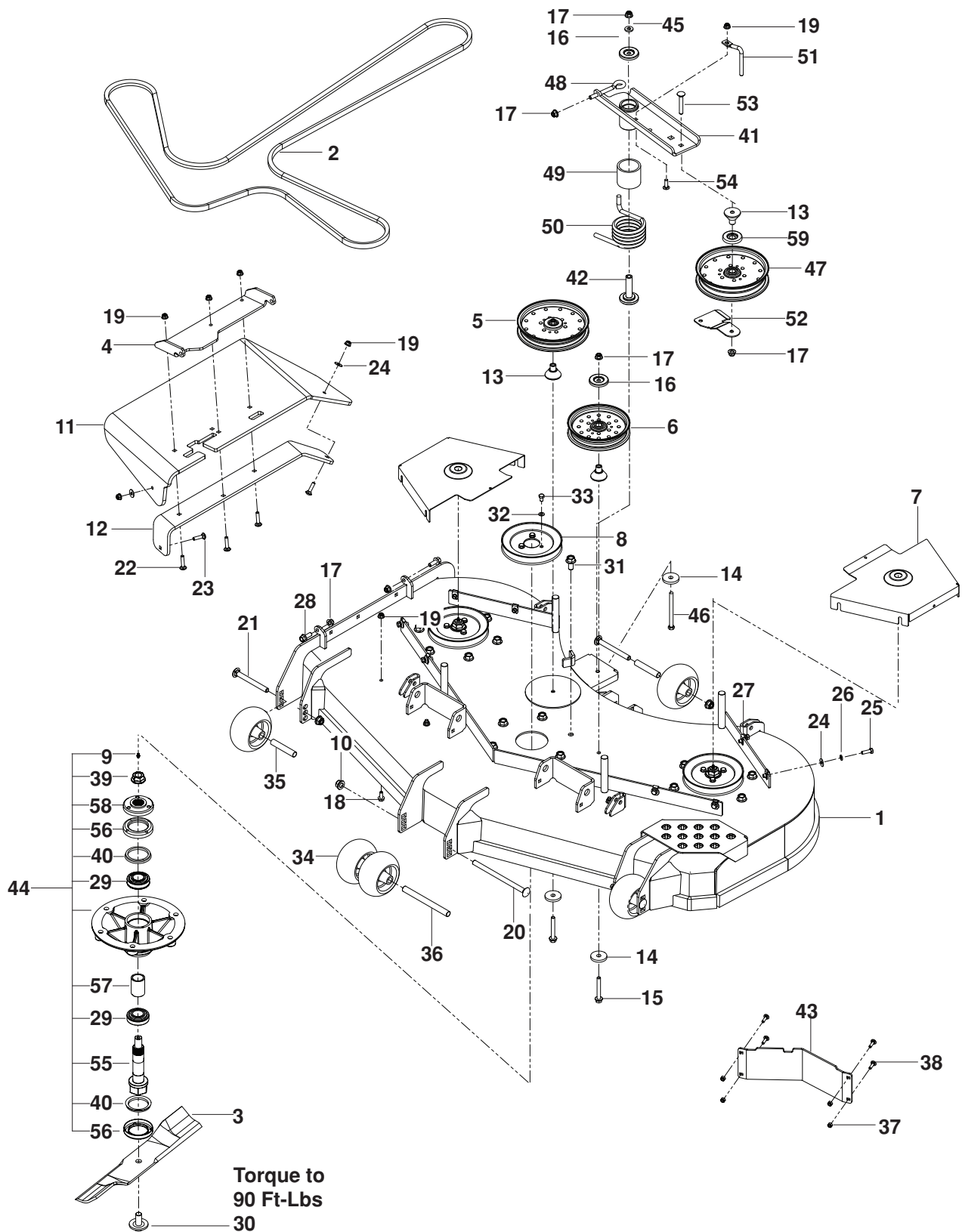
MOWER LIFT / DECK LIFT



MOWER LIFT / DECK LIFT

ITEM	PART NO.	QTY.	DESCRIPTION	ITEM	PART NO.	QTY.	DESCRIPTION
1..	510 089801....	2....	ROD, LIFT	34..	510 410703....	2....	SHAFT, LIFT RR
2..	510 089401....	4....	BUSHING, FLANGED 1¼ ID	35..	510 409602....	1....	SHAFT, LIFT FT
3..	510 089201....	2....	BUSHING, SLEEVE ¾ x 1	36..	510 023902....	4....	BLOCK, PILLOW
4..	539 916561....	1....	BUSHING 1" x 14 GA	37..	525 822501....	4....	KEY 5/16 SQ x 1
5..	510 106501....	2....	STRUT ASSY	38..	510 083801....	1....	SWIVEL ¾ BALLJOINT
6..	510 362501....	4....	SPACER, STRUT	39..	510 407501....	1....	SWIVEL, HEIGHT LATCH
7..	510 408401....	1....	SPACER, HEIGHT PLATE	40..	510 406401....	1....	SWIVEL, HEIGHT BAR
8..	510 406701....	1....	GUIDE, HEIGHT BAR	41..	510 406501....	1....	CAP, HEIGHT BAR
9..	510 022501....	1....	ARM, CAST LIFT	42..	510 406601....	1....	LINK, INDICATOR
10..	510 410002....	4....	ARM, LIFT	43..	525 822201....	2....	PLATE, PILLOW BLOCK
11..	510 022502....	1....	LEVER, DECK LIFT	44..	510 408502....	1....	PLATE, INNER HEIGHT
12..	510 412301....	2....	PIVOT, SPRING	45..	510 408602....	1....	PLATE, OUTER HEIGHT
13..	510 016501....	1....	PIN, HEIGHT	46..	539 122728....	1....	RHSNB ¾-16 x 3 GR2
14..	515 988201....	2....	PIN, STRUT	47..	539 990208....	2....	RHSNB 5/16-18 x 1
15..	510 090101....	8....	PIN 7/16 CLEVIS	48..	525 828901....	2....	HHFS ½-13 x 3 HEX FLG
16..	510 407801....	1....	PEDAL, RELEASE	49..	522 705601....	1....	HCS 5/16-18 x ¾ HEX SCKT
17..	510 408301....	1....	PEDAL, DECK HEIGHT	50..	525 465401....	1....	HHFS 5/16-18 x 1½ HEX FLG
18..	510 089501....	1....	PAD, FOOT PEDAL	51..	525 822101....	4....	HHFS ¾-16 x 3½ HEX FLG
19..	510 029201....	2....	SPRING, EXTENSION	52..	525 829001....	2....	HHFS 5/8-11 x 3 HEX FLG
20..	510 376701....	1....	SPRING, TORSION	53..	525 612801....	2....	HHFS ¾-16 x 1 HEX FLG
21..	510 376601....	1....	SPRING, TORSION	54..	525 465701....	4....	BOLT ½-13 x 4 HEX TPBLT
22..	539 102641....	4....	LIFT CHAIN	55..	516 035501....	1....	BOLT ½ x 2¼, ¾-16 SHLDR
23..	510 406801....	1....	LATCH, TRANSPORT	56..	510 408201....	1....	BOLT, SHOULDER
24..	510 407201....	1....	LATCH, HEIGHT	57..	539 120993....	2....	EYEBOLT 4½
25..	539 105069....	4....	E-RING 5/8	58..	539 991112....	1....	NUT ¼-20 JAM
26..	539 912730....	1....	E-RING 1"	59..	521 996501....	4....	NUT ¾-16 HEX FLG NYLOC
27..	539 990870....	1....	E- RING ¾"	60..	539 108732....	1....	NUT ¾-24 HEX JAM
28..	539 102454....	3....	E-RING ¾"	61..	525 829101....	2....	NUT 5/8-11 FLG NYLOC
29..	522 705201....	4....	E-RING 7/16"	62..	539 108677....	2....	NUT ¾-10 HEX
30..	539 101949....	2....	E-RING ½"	63..	521 991101....	3....	NUT ½-13 HEX FLG NYLOC
31..	510 407601....	1....	ROD, HEIGHT LATCH	64..	539 112899....	8....	NUT 5/16-18 HEX FLG NYLOC
32..	510 406301....	1....	BAR, HEIGHT	65..	539 990625....	4....	NUT ½-13 HEX JAM
33..	510 023601....	4....	SHAFT, LIFT TRUNION	66..	539 990122....	1....	WASHER ¾ SAE FLT

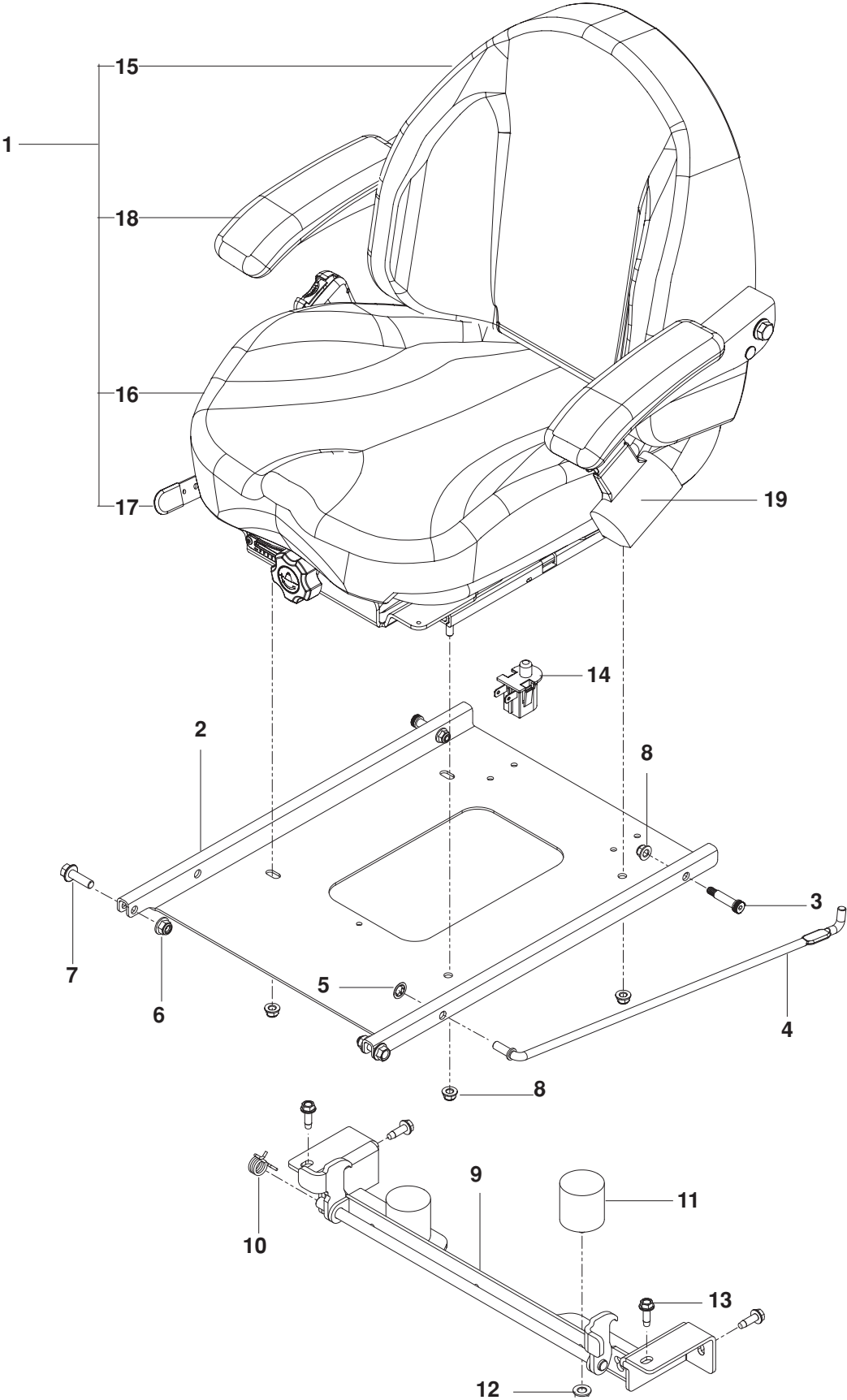
MOWING DECK / CUTTING DECK



MOWING DECK / CUTTING DECK

ITEM	PART NO.	QTY.	DESCRIPTION	ITEM	PART NO.	QTY.	DESCRIPTION
1..	574 497201....	1....	DECK w/ SAFETY DECALS	33..	539 130315....	9....	BOLT $\frac{5}{16}$ -18 x $\frac{1}{2}$ HEX NYLOC
2..	522 829601....	1....	BELT, DECK	34..	574 169601....	5....	ROLLER, GAUGE
3..	539 105711....	3....	BLADE, 21"	35..	574 196401....	2....	TUBE, ROLLER AXLE
4..	574 197002....	1....	BRACKET, CHUTE PIVOT	36..	574 196501....	1....	TUBE, ROLLER AXLE LONG
5..	525 598201....	1....	PULLEY, IDLER 7" NARROW	37..	539 976978....	4....	NUT $\frac{1}{4}$ -20 HEX NYLOC
6..	510 019601....	1....	PULLEY, IDLER, 6"	38..	539 115620....	4....	BOLT $\frac{1}{4}$ -20 x $\frac{3}{4}$ CARRIAGE
7..	510 131202....	2....	SHIELD, BELT	39..	539 130653....	3....	NUT $\frac{3}{4}$ -16 FLG
8..	539 130646....	3....	PULLEY	40..	539 130639....	6....	V-RING
9..	539 976998....	3....	ZERK	41..	574 722201....	1....	ARM, IDLER w/ BRGS, SPACR
10..	521 991101....	4....	NUT $\frac{1}{2}$ -13 HEX FLG NYLOC	42..	522 729701....	1....	BEARING, IDLER PIVOT
11..	525 485801....	1....	CHUTE, DISCHARGE	43..	510 437502....	1....	BAFFLE, FLOW DIVERTER
12..	525 486002....	1....	BRACKET, CHUTE SUPPORT	44..	525 836401....	3....	SPINDLE ASSY
13..	510 263701....	3....	BEARING, IDLER ARM	45..	522 023401....	1....	WASHER $\frac{3}{8}$ THICK
14..	539 106504....	3....	WASHER, HEAVY	46..	539 101686....	1....	BOLT $\frac{3}{8}$ -16 x $4\frac{1}{2}$ HEX GR 8
15..	539 131781....	2....	SCREW $\frac{3}{8}$ -16 x $2\frac{3}{4}$ HEX FLG	47..	510 015101....	1....	PULLEY, IDLER 7" WIDE
16..	510 254501....	2....	SHIELD, DUST	48..	574 202001....	1....	EYEBOLT $\frac{3}{8}$ x 4
17..	521 996501....	4....	NUT $\frac{3}{8}$ -16 HEX FLG NYLOC	49..	525 465601....	1....	SPACER, IDLER PIVOT
18..	525 464701....	3....	SCREW $\frac{5}{16}$ -18 x $\frac{3}{4}$ HEX FLG	50..	525 310901....	1....	SPRING, TORSION
19..	539 112899....	9....	NUT $\frac{5}{16}$ -18 HEX FLG NYLOC	51..	574 262201....	1....	KEEPER, BELT
20..	510 022401....	1....	BOLT $\frac{1}{2}$ -13 x 8 RD HD	52..	574 262102....	1....	GUIDE, BELT
21..	510 022301....	3....	BOLT $\frac{1}{2}$ -13 x $4\frac{3}{4}$ RD HD	53..	539 128101....	1....	BOLT $\frac{3}{8}$ -16 x $2\frac{1}{2}$ CARRIAGE
22..	539 102933....	3....	BOLT $\frac{5}{16}$ -18 x $1\frac{1}{2}$ RD HD	54..	539 107271....	1....	BOLT $\frac{5}{16}$ -18 x 1 RD HD
23..	539 100472....	2....	BOLT $\frac{5}{16}$ -18 x $1\frac{1}{4}$ RD HD	55..	525 836001....	3....	SHAFT, SPINDLE
24..	539 990692..	10....	WASHER $\frac{5}{16}$ STD FLT	56..	539 130643....	6....	CUP, DEBRIS
25..	539 990209....	8....	BOLT $\frac{5}{16}$ -18 x 1 HEX HD	57..	539 130641....	3....	SPACER
26..	539 990187....	8....	WASHER $\frac{5}{16}$ SLW	58..	539 130637....	3....	HUB
27..	539 104763....	8....	RETAINER, U TYPE	59..	510 262201....	1....	SHIELD, DUST
28..	525 612801....	2....	SCREW $\frac{3}{8}$ -16 x 1 HEX FLG	NOT SHOWN - OPTIONAL			
29..	539 130638....	6....	BEARING		522 829301 ...	3....	BLADE, HIGH LIFT 21"
30..	539 119007....	3....	BLADE BOLT		574 481301 ...	3....	BLADE, LOW LIFT 21"
31..	574 210601..	18....	SCREW $\frac{1}{2}$ -13 x 1 HEX FLG		522 936601 ...	3....	BLADE, GATOR 21"
32..	539 109600....	9....	WASHER $\frac{5}{16}$ DISC SPRING		539 109755 ...	3....	BLADE, WAVY REV LIFT 21"

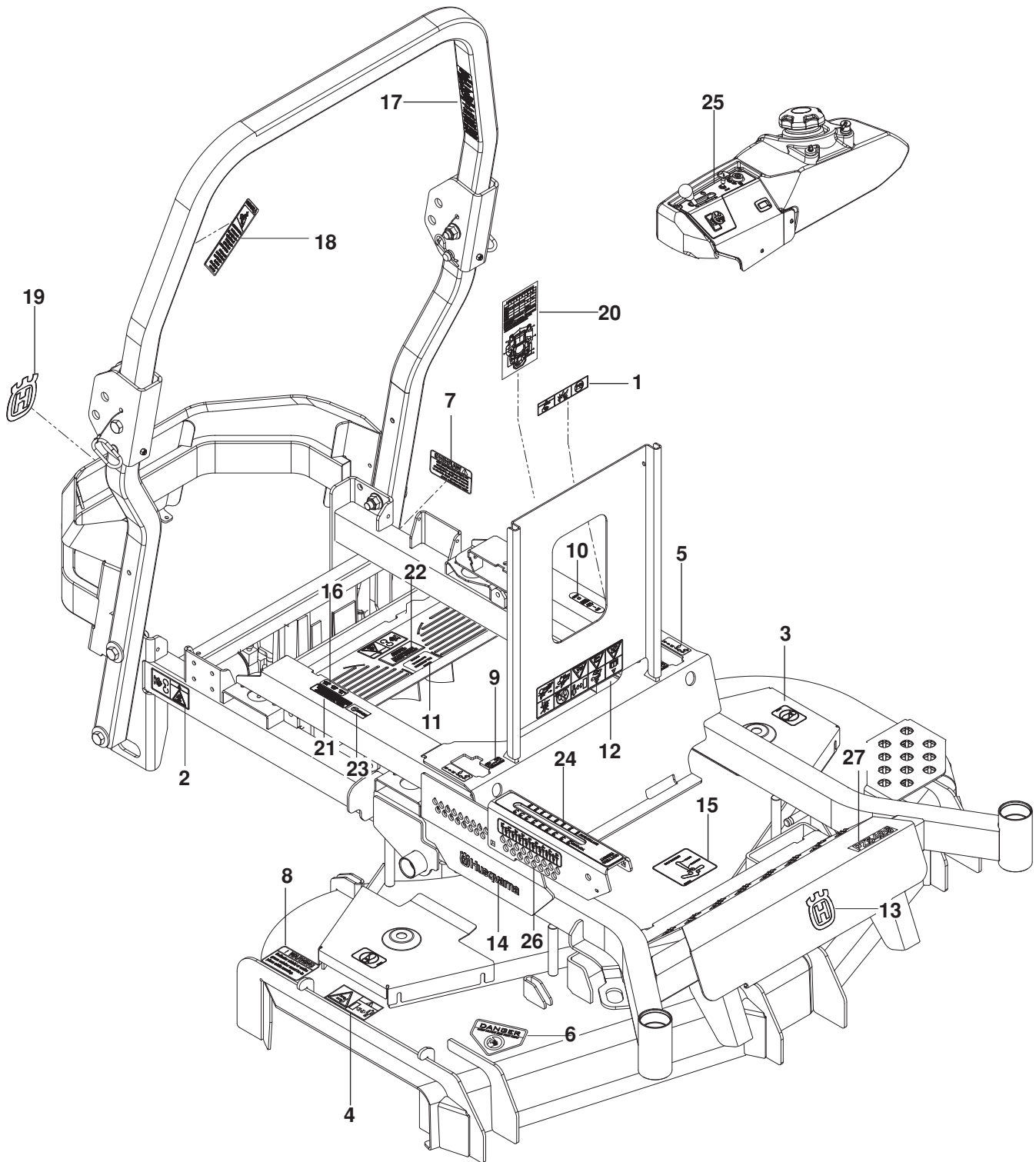
SEAT



SEAT

ITEM	PART NO.	QTY.	DESCRIPTION	ITEM	PART NO.	QTY.	DESCRIPTION
1..	574 284601....	1....	SEAT ASSY	11..	510 283801....	2....	BUMPER, RUBBER
2..	510 039302....	1....	PAN, SEAT	12..	521 996501....	2....	NUT ³ / ₈ -16 HEX FLG NYLOC
3..	515 990601....	2....	BOLT ³ / ₈ x 1 ¹ / ₄ ⁵ / ₁₆ -18 SHLDR	13..	539 113226....	4....	BOLT ⁵ / ₁₆ -18 x 1 THD FRM
4..	510 064101....	1....	ROD, SEAT	14..	539 119741....	1....	SWITCH, SEAT
5..	539 913847....	2....	RETAINER NUT ³ / ₈	15..	574 284602....	1....	COVER, BACK
6..	521 996501....	2....	NUT ³ / ₈ -16 HEX FLG NYLOC	16..	574 284603....	1....	COVER KIT, CUSHION
7..	525 834201....	2....	SCREW ³ / ₈ -16 x 1 ¹ / ₄ HEX FLG	17..	574 284604....	1....	TRACK KIT
8..	539 112899....	6....	NUT ⁵ / ₁₆ -18 HEX FLG NYLOC	18..	574 284605....	1....	ARMREST, LT
9..	574 182202....	1....	LATCH, SEAT		574 284606 ...	1....	ARMREST, RT
10..	520 283101....	1....	SPRING, TORSION	19..	539 130359....	1....	SEAT BELT

DECALS

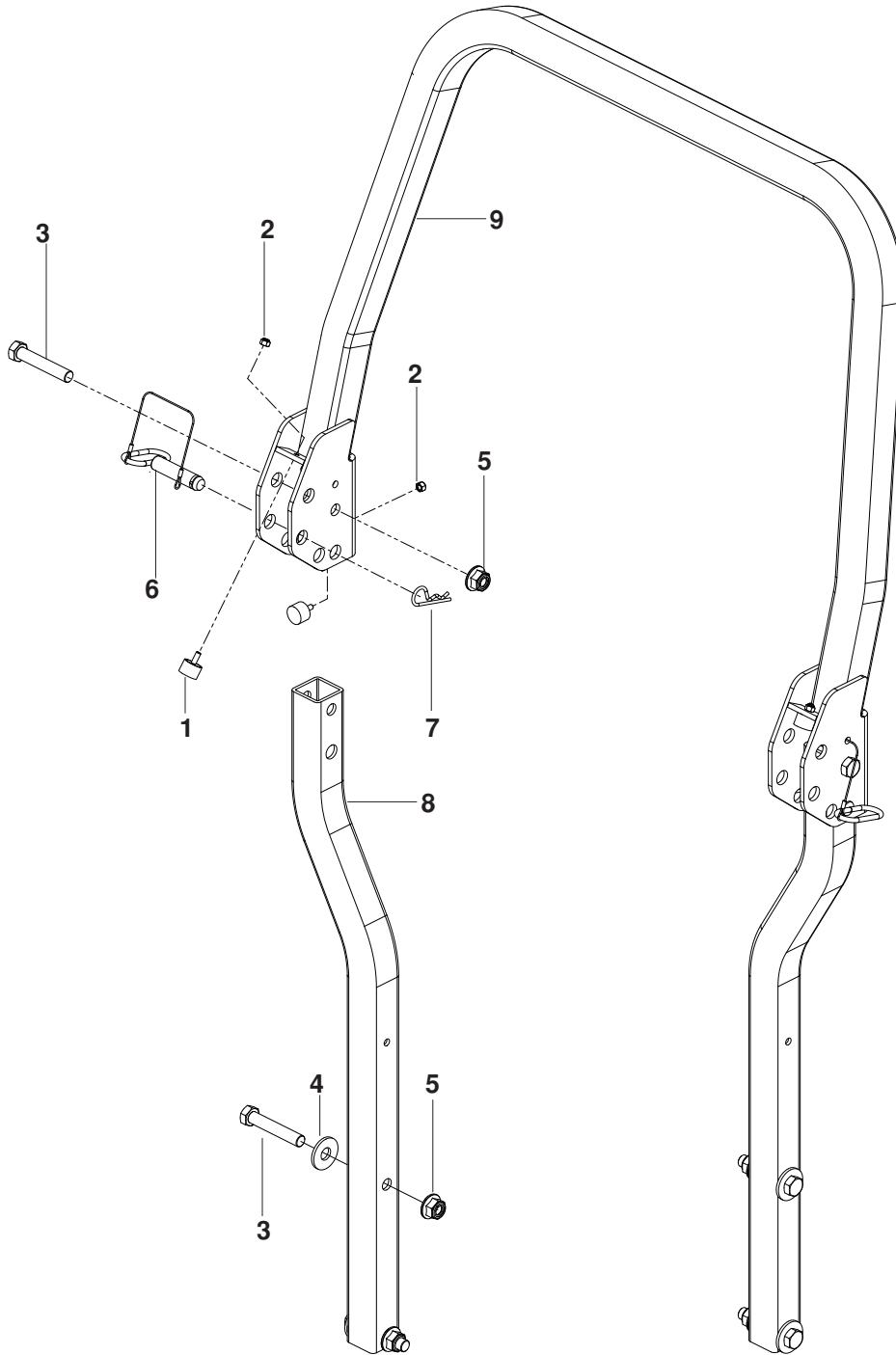


DECALS

ITEM	PART NO.	QTY.	DESCRIPTION	ITEM	PART NO.	QTY.	DESCRIPTION
1..	539 105745....	1....	DECAL, BATTERY WARNING	15..	574 437301....	1....	DECAL, BELT ROUTE
2..	539 105744....	2....	DECAL, BELT DRIVE WARN	16..	574 569401....	1....	DECAL, FUSE
3..	539 105743....	2....	DECAL, NO STEP	17..	574 569006....	1....	DECAL, ROPS
4..	539 105746....	1....	DECAL, SEVERING	18..	574 569002....	1....	DECAL, ROPS WARNING
5..	539 103333....	2....	DECAL, MOTION CONTROL	19..	574 455001....	1....	EMBLEM, CROWN H LRG
6..	539 913010....	1....	DECAL, BLADE WARNING	20..	574 825901....	1....	DECAL, SERVICE
7..	539 101881....	1....	DECAL, EXHAUST	21..	532 424102....	1....	DECAL, SPARK ARRESTOR
8..	539 113224....	1....	DECAL, DEFLECTOR	22..	574 815502....	1....	DECAL, HYDRO GEAR
9..	539 110974....	2....	DECAL, TRACKING	23..	574 110279....	1....	DECAL, ECM AUSTRALIA
10..	539 120006....	1....	DECAL, PARK BRAKE	24..	516 138101....	1....	DECAL, HEIGHT
11..	539 114832....	1....	DECAL, OIL TANK	25..	510 246602....	1....	DECAL, CONTROL
12..	539 107959....	1....	DECAL, WARNING	26..	525 349701....	1....	DECAL, HEIGHT
13..	532 428676....	1....	EMBLEM, CROWN H SM	27..	574 569602....	1....	DECAL, PZ6029
14..	532 429196....	2....	EMBLEM, HUSQVARNA				

NOTE: Decals used and decal placement will vary depending on model.

PROTECTION FRAME



PROTECTION FRAME

ITEM	PART NO.	QTY.	DESCRIPTION	ITEM	PART NO.	QTY.	DESCRIPTION
1..	522 801401....	4....	BUMPER, MALE STUD 1/4-20	6..	574 388001....	2....	LATCH PIN w/ LANYARD
2..	539 976978....	4....	NUT 1/4-20 HEX NYLOC	7..	539 200715....	2....	PIN, HAIR
3..	539 115576....	6....	HCS 5/8-18 x 3 1/2	8..	574 330902....	2....	TUBE, SIDE GRAY
4..	539 102653....	4....	WASHER 5/8 STD FLAT	9..	575 324502....	1....	ROPS, TOP, GRAY
5..	525 829101....	6....	NUT 5/8-11 FLG NYLOC				

