

Gasoline containing up to 10% ethanol (E10) is acceptable for use in this machine. The use of any gasoline exceeding 10% ethanol (E10) will void the product warranty.

Parts Manual

PZ6034FX ZT / 966614601



Please read the operator's manual carefully and make sure you understand the instructions before using the machine.

When you need spare parts or support in service questions, warranty issues, etc., please consult the following professional:

This Parts Manual belongs to the machine with the manufacturing number:	Engine	Transmission

Manufacturing Number

The machine's manufacturing number can be found on the printed plate affixed to the engine compartment.

Stated on the plate, from the top are:

- The machine's type designation (I.D.).
- The manufacturer's type number (Model).
- The machine's serial number (Serial no.)

Please have the type designation and serial number available when ordering spare parts.

The engine's manufacturing number is stamped on one of the valve covers.

The plate states:

- The engine's model.
- The engine's type.
- Code

Please have these available when ordering spare parts.

The wheel motors and hydrostatic pumps have a barcode decal affixed at the rear.

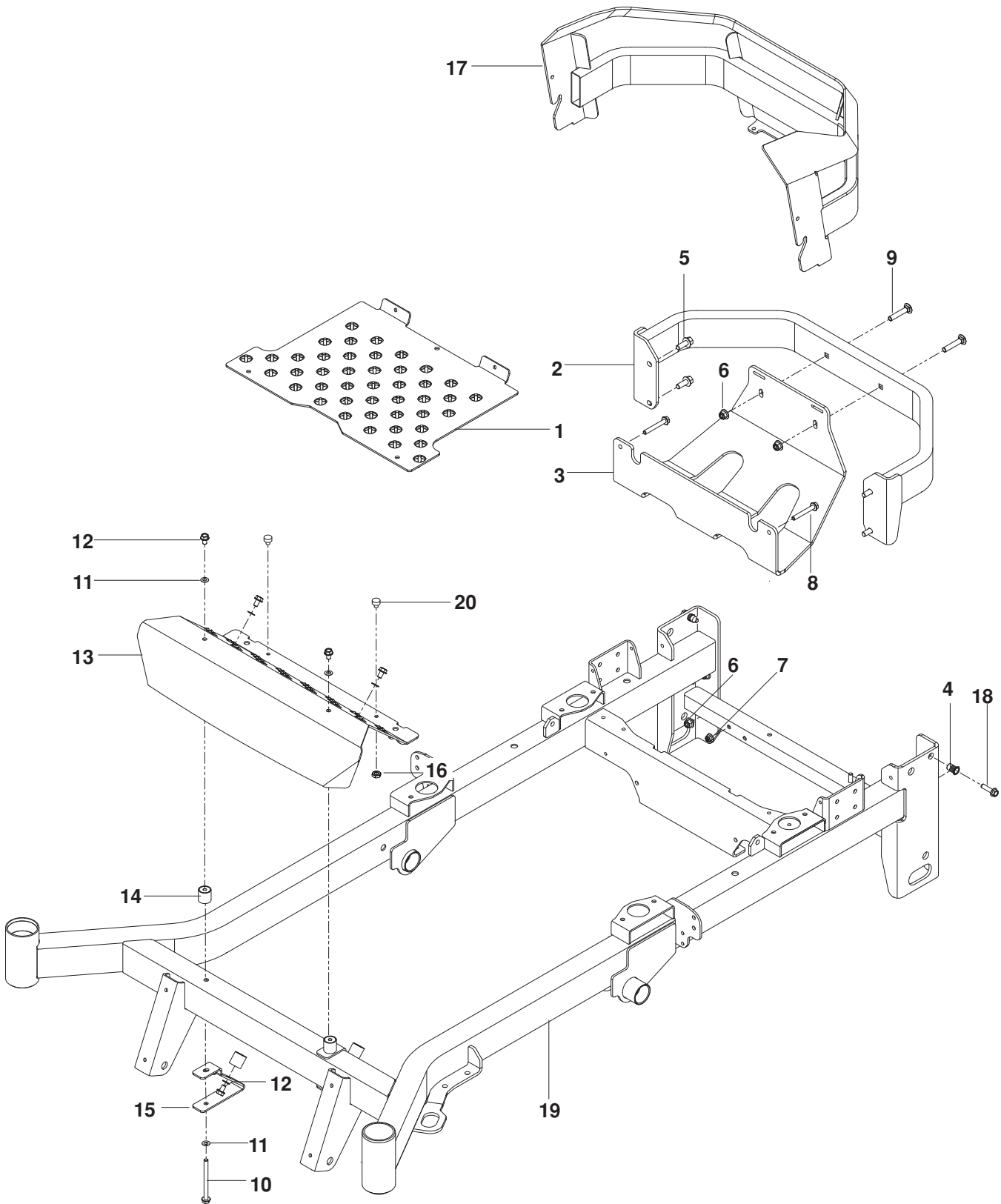
Accessories Available	
Collection System -----	966 406901
Mulch Kit -----	966 444701
OCDC Kit ----- (Operator Controlled Discharge Chute)	966 488701
Bearing Kit	574 754201

CONTENTS

FRAME.....	4	WHEELS / TIRES.....	18
ENGINE PLATE.....	6	MOWER LIFT / DECK LIFT.....	20
STEERING	8	MOWING DECK / CUTTING DECK.....	22
IGNITION / FUEL	10	SEAT	24
PARKING BRAKE	12	DECALS	26
HYDRAULIC PUMP-MOTOR		PROTECTION FRAME	28
ZT5400 - UPPER.....	14		
ZT5400 - LOWER	16		

NOTE: ALL FASTENERS ARE GRADE 5 UNLESS OTHERWISE SPECIFIED.

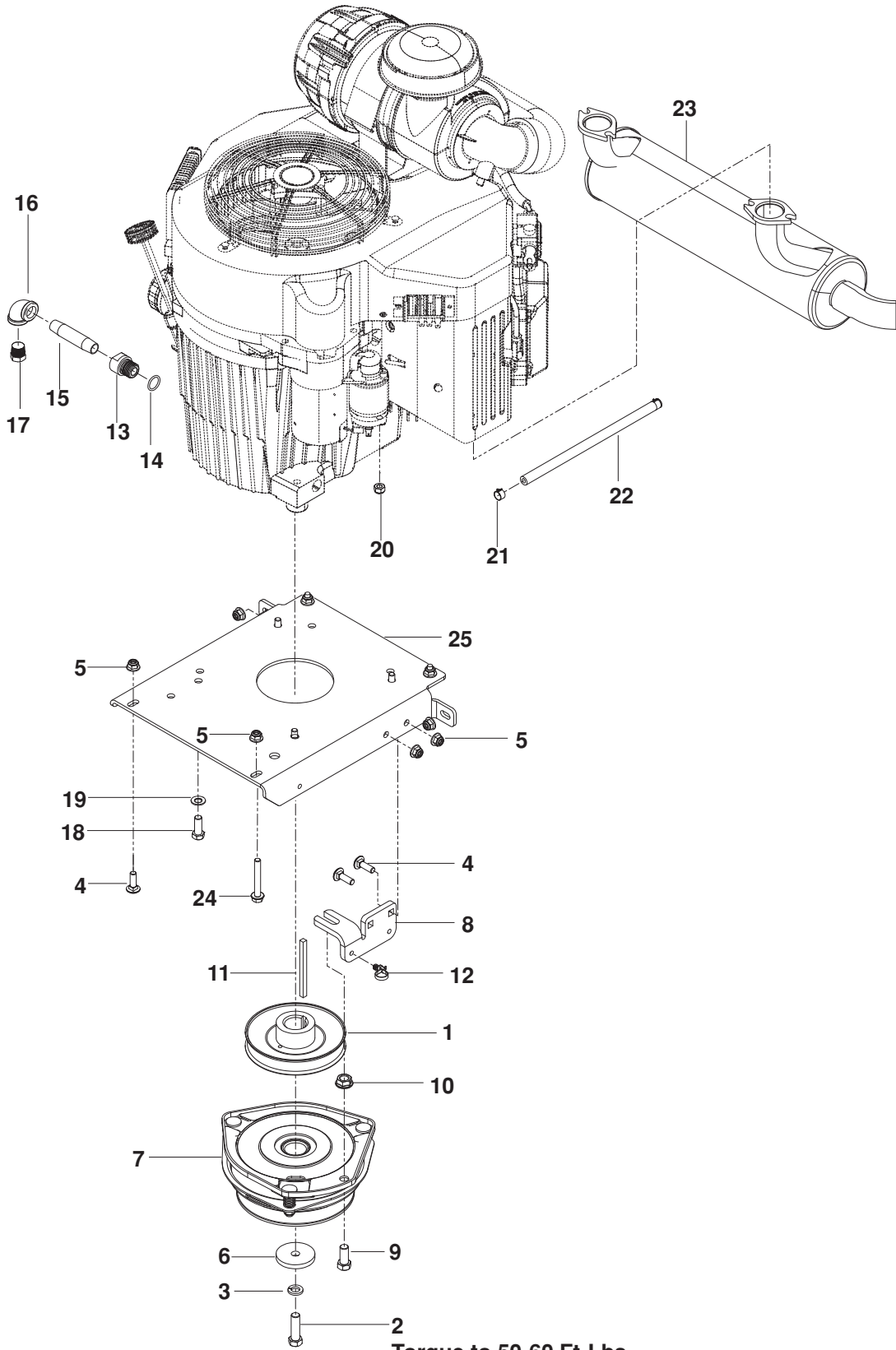
FRAME



FRAME

ITEM	PART NO.	QTY.	DESCRIPTION	ITEM	PART NO.	QTY.	DESCRIPTION
1..	574 215602....	1 FLOORPAN	12..	539 990858....	6 SCREW $\frac{5}{16}$ -18 x $\frac{1}{2}$ SLF TAP
2..	522 675702....	1 BUMPER, REAR	13..	574 215702....	1 FOOTREST
3..	574 228602....	1 PLATE, SKID	14..	510 083201....	4 MOUNT, F/F INSERT
4..	539 111028....	2 NUTSERT $\frac{5}{16}$ -18	15..	510 040301....	2 BRACKET, REST MOUNT
5..	525 612801....	4 SCREW $\frac{3}{8}$ -16 x 1 HEX FLG	16..	539 108120....	2 NUT $\frac{1}{4}$ -20 HEX THIN NYLOC
6..	521 996501....	7 NUT $\frac{3}{8}$ -16 HEX FLG NYLOC	17..	574 221602....	1 GUARD, REAR
7..	539 112899....	2 NUT $\frac{5}{16}$ -18 HEX FLG NYLOC	18..	525 544001....	2 SCREW $\frac{5}{16}$ -18 x $\frac{1}{4}$ TPBLT
8..	574 233801....	2 SCREW $\frac{5}{16}$ -18 x $2\frac{1}{4}$ HEX FLG	19..	574 482801....	1 FRAME w/ SAFETY DECALS
9..	539 100145....	2 BOLT $\frac{3}{8}$ -16 x 2 RD HD	20..	575 811501....	2 BUMPER, $\frac{1}{4}$ -20 STUD $\frac{3}{8}$ "
10..	539 131780....	2 SCREW $\frac{5}{16}$ -18 x $3\frac{3}{4}$ HEX FLG				
11..	539 109600....	8 WASHER $\frac{5}{16}$ DISC SPRING				

ENGINE PLATE

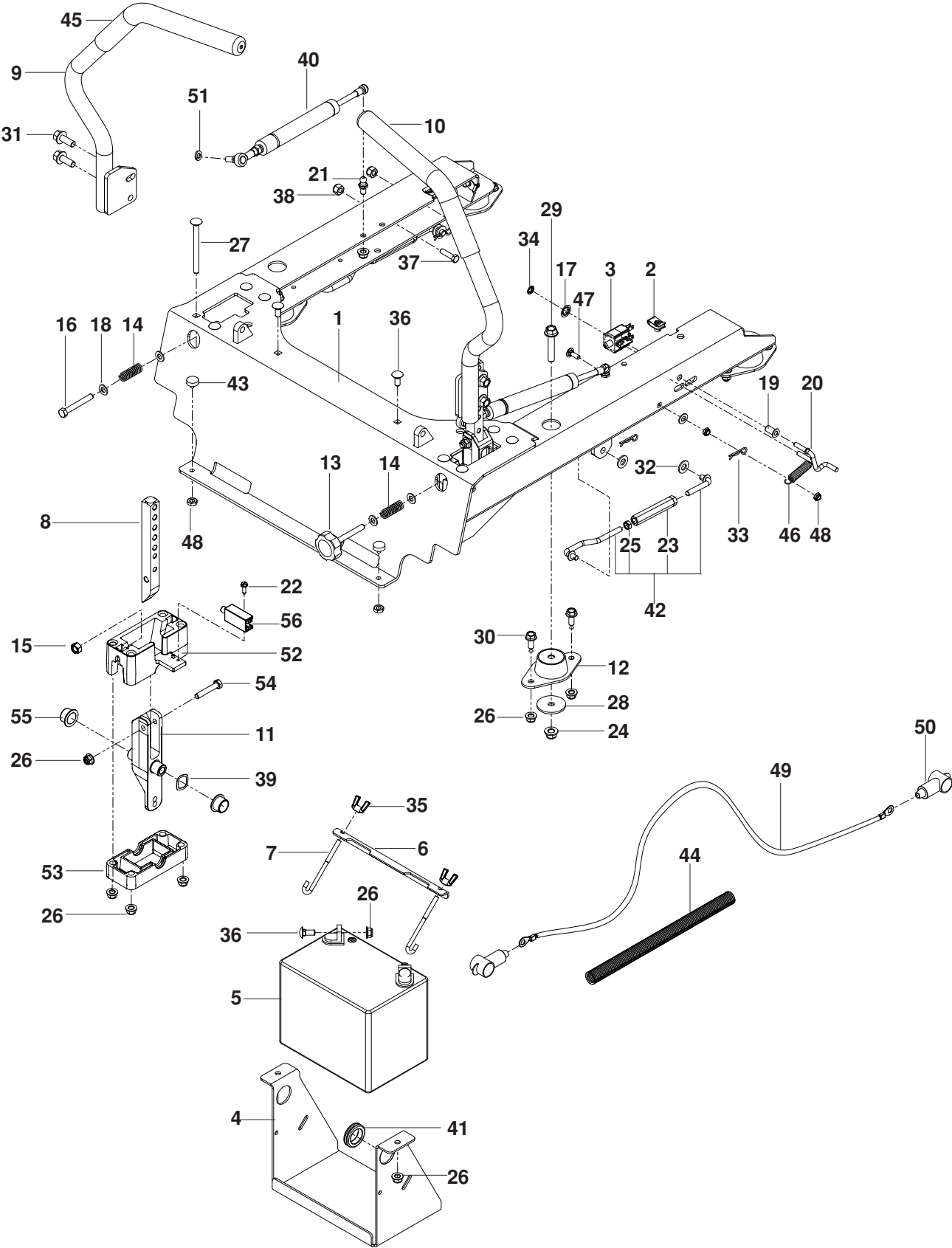


Torque to 50-60 Ft-Lbs

ENGINE PLATE

ITEM	PART NO.	QTY.	DESCRIPTION	ITEM	PART NO.	QTY.	DESCRIPTION
1..	510 019801....	1	PULLEY, ENGINE	16..	539 105072....	1	ELBOW 90°
2..	539 100141....	1	BOLT 7/16-20 x 1½ HEX NYL	17..	522 837001....	1	PLUG 3/8 NPTF DRAIN
3..	539 990247....	1	WASHER 7/16 SLW	18..	539 990563....	4	BOLT 3/8-16 x 1 HEX NYLOC
4..	539 990208....	3	BOLT 5/16-18 x 1 RD HD	19..	539 102593....	4	WASHER 3/8 SPRING
5..	539 112899....	2	NUT 5/16-18 HEX FLG NYLOC	20..	539 103153....	1	NUT M8X1.25 NYLOC
6..	539 125626....	1	WASHER, BLADE	21..	539 912222....	2	CLAMP, HOSE
7..	525 749501....	1	CLUTCH, GT 3.5	22..	539 932956....	1	FUEL LINE 10"
8..	522 676702....	1	STOP, CLUTCH	23..	525 750401....	1	MUFFLER
9..	539 100143....	1	BOLT 7/16-14 x 1 HEX NYLOC	24..	574 233801....	3	SCREW 5/16-18 x 2¼ HEX FLG
10..	539 102582....	1	NUT 7/16-14 HEX WHIZ LK	25..	510 004602....	1	PLATE, ENGINE
11..	525 749901....	1	KEY ¼ SQ x 3½	NOT SHOWN			
12..	505 280001....	1	TIE WRAP w/ CLIP		525 554201....	1	ENGINE HARNESS, KAW
13..	539 119680....	1	ADAPTOR, OIL DRAIN		574 825801....	1	KIT, SPARK ARRESTOR
14..	539 109618....	1	O-RING				
15..	539 118911....	1	PIPE 3/8 NPT x 3"				

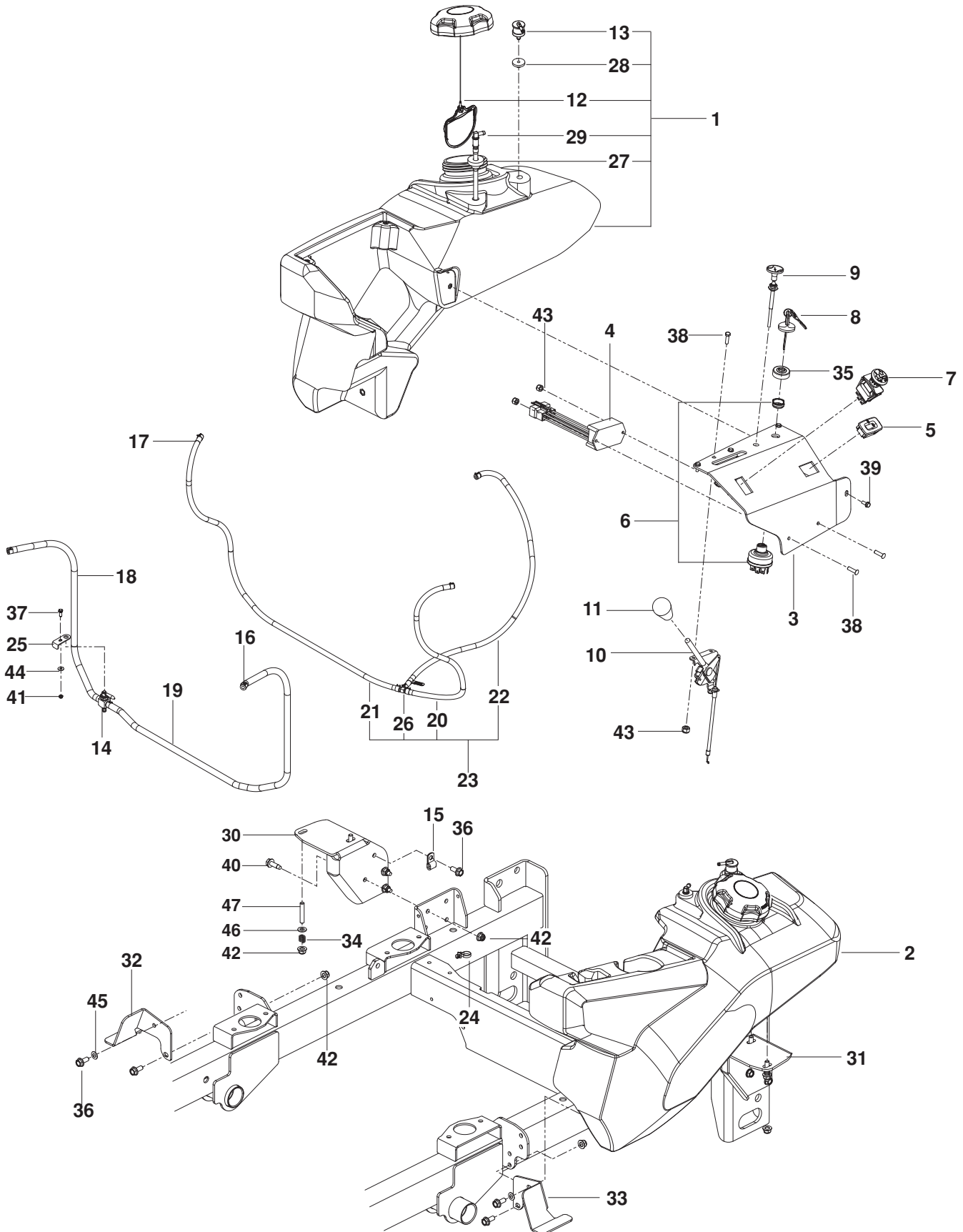
STEERING



STEERING

ITEM	PART NO.	QTY.	DESCRIPTION	ITEM	PART NO.	QTY.	DESCRIPTION
1..	574 189602....	1 FRAME MOUNT	31..	525 612801....	4 SCREW $\frac{3}{8}$ -16 x 1 HEX FLG
2..	539 104763....	4 RETAINER, U TYPE	32..	539 990122....	4 WASHER $\frac{3}{8}$ SAE FLT
3..	539 113792....	1 SWITCH, BRAKE (3-POLE)	33..	539 976988....	4 HAIRPIN COTTER
4..	510 029902....	1 BRACKET, BATTERY	34..	539 102234....	1 PUSH NUT $\frac{1}{4}$ "
5..	539 102463....	1 BATTERY	35..	539 990997....	2 WINGNUT $\frac{1}{4}$ -20 NYLOC
6..	510 030001....	1 BRACKET, BATTERY MOUNT	36..	539 990316....	4 BOLT $\frac{5}{16}$ -18 x $\frac{3}{4}$ RD HD
7..	510 064001....	2 J HOOK	37..	574 822701....	2 BOLT 10-24 x $\frac{3}{4}$ SOCKET HD
8..	574 269401....	2 LEVER, MOTION	38..	539 976977....	2 NUT 10-24 HEX NYLOC
9..	574 262701....	1 LEVER, w/ GRIP, RT	39..	539 133007....	1 WASHER, WAVE
10..	574 262702....	1 LEVER, w/ GRIP, LT	40..	516 020301....	2 DAMPENER ASSY
11..	510 113301....	2 LEVER, CONTROL w/BSHG	41..	539 105974....	1 RUBBER GROMMET
12..	510 082101....	4 MOUNT, ISO	42..	525 447901....	2 SEAT STRUT ASSY
13..	539 131799....	1 KNOB	43..	575 811501....	2 BUMPER $\frac{1}{4}$ -20 STUD $\frac{3}{8}$
14..	539 101224....	2 SPRING	44..	574 235301....	1 LOOM, SPLIT $\frac{5}{8}$
15..	539 990196....	2 NUT $\frac{5}{16}$ -18 HEX	45..	539 130894....	2 GRIP, LEVER
16..	539 108396....	1 BOLT $\frac{5}{16}$ -18 x $2\frac{1}{2}$ HEX TPBLT	46..	539 020035....	1 SPRING
17..	539 913847....	2 RETAINER NUT $\frac{3}{8}$	47..	539 990074....	1 BOLT $\frac{1}{4}$ -20 x $\frac{3}{4}$ GR2 RD HD
18..	539 990188....	5 WASHER $\frac{5}{16}$ SAE FLAT	48..	539 108120....	4 NUT $\frac{1}{4}$ -20 HEX THIN NYLOC
19..	511 594901....	1 BUSHING, $\frac{1}{4}$ FLANGE	49..	522 718701....	1 CABLE, POSITIVE
20..	511 595001....	1 LINK, SWITCH	50..	539 102759....	2 INSULATOR
21..	539 110607....	2 BALL STUD 10MM	51..	539 990187....	2 WASHER $\frac{5}{16}$ SLW
22..	539 991034....	2 SCREW 10-24 x $\frac{5}{8}$ WSH HD	52..	539 131517....	2 BLOCK, UPPER
23..	539 109149....	1 TURNBUCKLE $\frac{3}{8}$	53..	539 131519....	2 BLOCK, LOWER
24..	525 996501....	4 NUT $\frac{3}{8}$ -16 HEX FLG NYLOC	54..	539 990669....	2 BOLT $\frac{5}{16}$ -18 x $1\frac{3}{4}$ HEX NYL
25..	539 108732....	1 NUT $\frac{3}{8}$ -24 HEX JAM	55..	539 131518....	4 BEARING, FLANGE
26..	539 112899....	25 NUT $\frac{5}{16}$ -18 HEX FLG NYLOC	56..	539 101080....	2 SWITCH N.C.
27..	539 131665....	8 BOLT $\frac{5}{16}$ -18 x $3\frac{3}{4}$ RD HD	NOT SHOWN			
28..	539 111897....	4 WASHER $\frac{3}{8}$ SPECIAL	510 093601....	1 HARNESS, MAIN WIRING	
29..	525 866201....	4 SCREW $\frac{3}{8}$ -16 x 2 HEX FLG	522 710701....	1 CABLE, NEGATIVE	
30..	525 464701....	8 SCREW $\frac{5}{16}$ -18 x $\frac{3}{4}$ HEX FLG				

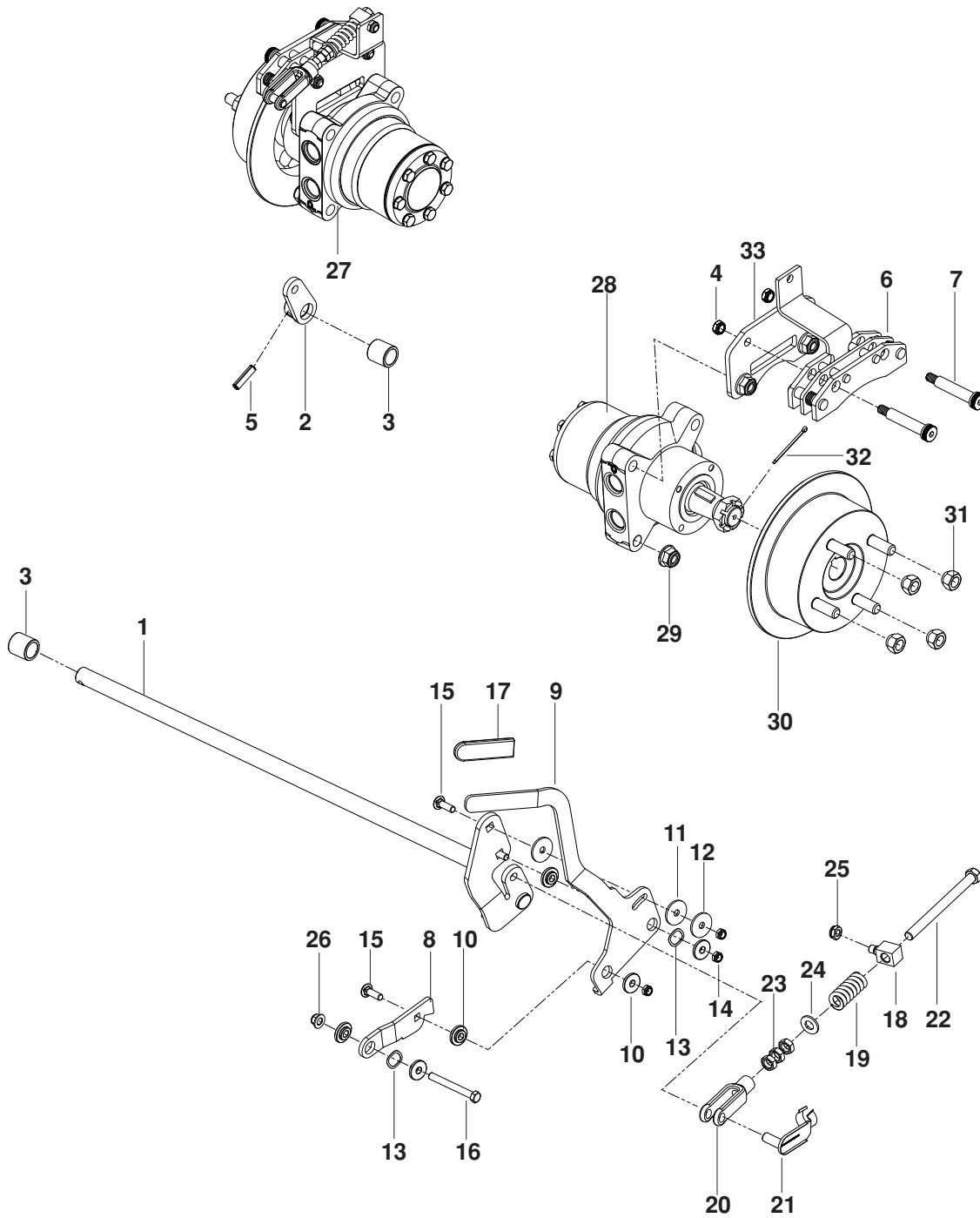
IGNITION / FUEL



IGNITION / FUEL

ITEM	PART NO.	QTY.	DESCRIPTION	ITEM	PART NO.	QTY.	DESCRIPTION
1..	576 369202....	1	TANK ASSY, RT	25..	577 104002....	1	BRACKET, VALVE
2..	576 369102....	1	TANK ASSY, LT	26..	574 206602....	1	TEE ³ / ₁₆ FUEL LINE
3..	529 280202....	1	PANEL, CONTROL	27..	539 105245....	2	GROMMET, RUBBER
4..	574 514001....	1	TIMER, SEAT	28..	576 618201....	2	GROMMET, CHECK VALVE
5..	576 179401....	1	HOUR METER	29..	525 865401....	2	FITTING, FUEL
6..	574 455401....	1	SWITCH, IGNITION	30..	529 279603....	1	MOUNT, TANK RT RR
7..	539 131627....	1	SWITCH, PTO 10 AMP	31..	529 279703....	1	MOUNT, TANK LT RR
8..	574 455501....	1	KEY, IGNITION	32..	529 279903....	1	MOUNT, TANK RT FRT
9..	574 206901....	1	CABLE, CHOKE	33..	529 280003....	1	MOUNT, TANK LT FRT
10..	574 207002....	1	CABLE, THROTTLE	34..	539 102845....	4	SPRING, TANK MOUNT
11..	539 132624....	1	KNOB	35..	539 103178....	1	CAP, IGNITION SWITCH
12..	575 018101....	2	CAP w/ TETHER, FUEL	36..	525 464701....	7	HHFS ⁵ / ₁₆ -18 x ³ / ₄ HEX FLG
13..	576 618101....	2	VALVE, FUEL CHECK	37..	539 990580....	1	HCS ¹ / ₄ -20 x ³ / ₄
14..	539 102679....	1	VALVE, FUEL	38..	574 822701....	4	SCREW 10-24 x ³ / ₄ SKT HD
15..	539 109867....	1	CLAMP, DOUBLE TUBE	39..	539 114341....	3	SCREW 10-24 x ³ / ₈ SKT HD
16..	539 912222....	4	CLAMP	40..	539 113226....	6	BOLT ⁵ / ₁₆ -18 x 1 THD FRM
17..	575 436501....	6	CLAMP, HOSE	41..	539 108120....	1	NUT ¹ / ₄ -20 HEX THIN NYLOC
18..	577 103901....	1	LINE 22" FUEL	42..	539 112899....	13	NUT ⁵ / ₁₆ -18 HEX FLG NYLOC
19..	577 103902....	1	LINE 38" FUEL	43..	539 976977....	4	NUT 10-24 HEX NYLOC
20..	576 660603....	1	HOSE ³ / ₁₆ 21"	44..	539 990598....	1	WASHER ¹ / ₄ FLAT
21..	576 660601....	1	HOSE ³ / ₁₆ 39"	45..	539 109600....	4	WASHER ⁵ / ₁₆ DISC SPRING
22..	576 660604....	1	HOSE ³ / ₁₆ 30"	46..	539 990188....	4	WASHER ⁵ / ₁₆ SAE FLAT
23..	576 547701....	1	VAPOR LINE ASSY	47..	539 102502....	4	STUD, FUEL TANK
24..	505 280001....	2	TIE WRAP w/ CLIP				

PARKING BRAKE

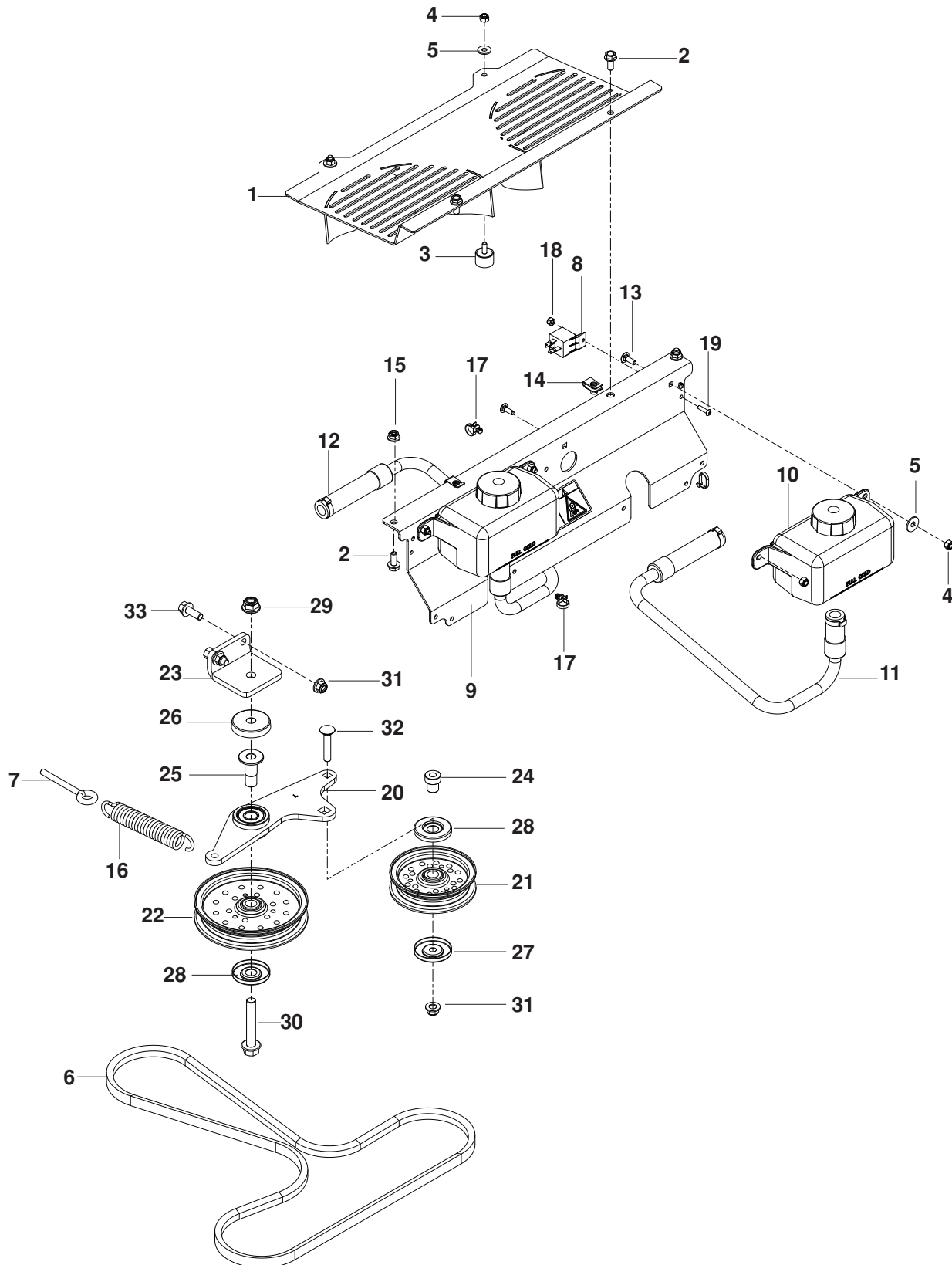


PARKING BRAKE

ITEM	PART NO.	QTY.	DESCRIPTION	ITEM	PART NO.	QTY.	DESCRIPTION
1..	525 851201....	1 SHAFT, BRAKE	18..	525 851401....	1 SWIVEL, BRAKE
2..	510 025901....	1 ARM, RT BRAKE	19..	539 113952....	1 SPRING
3..	510 089201....	2 BUSHING, SLEEVE 3/4 x 1	20..	539 977465....	1 YOKE
4..	539 200282....	6 NUT 3/8-16 HEX JAM NYLOC	21..	522 705901....	1 PIN 3/8 CLEVIS SPRING
5..	539 110631....	1 ROLL PIN 5/16" DIA.	22..	539 104984....	1 BOLT 3/8-24 x 4 1/2 HEX NYL
6..	539 133047....	2 CALIPER	23..	539 108732....	3 NUT 3/8-24 HEX JAM
7..	516 035501....	4 BOLT 1/2 x 2 1/4, 3/8-16 SHLDR	24..	539 990122....	1 WASHER 3/8 SAE FLT
8..	515 980301....	1 LINK, FOLLOWER	25..	539 115617....	1 NUT 5/16-18 HEX NYLOC INS
9..	515 980002....	1 LEVER, BRAKE	26..	521 996501....	1 NUT 3/8-16 HEX FLG NYLOC
10..	539 132161....	6 BUSHING, BRAKE	27..	574 805202....	1 MOTOR, RT
11..	525 490901....	2 WASHER, FRICTION	28..	574 805201....	1 MOTOR, LT
12..	539 912063....	1 WASHER, CONE	29..	521 991101....	8 NUT 1/2-13 HEX FLG NYLOC
13..	539 133007....	2 WASHER, WAVE	30..	525 848701....	2 HUB, DISC BRAKE w/ STUDS
14..	539 200282....	3 NUT 3/8-16 HEX JAM NYLOC	31..	539 101173....	8 LUG NUT 1/2
15..	539 100413....	3 BOLT 3/8-16 x 1 1/4 RD HD	32..	539 102889....	2 COTTER PIN 1/8 x 2
16..	539 923463....	1 BOLT 3/8-16 x 3 1/4 HEX NYLOC	33..	525 851601....	2 PLATE, CALIPER
17..	539 976526....	1 GRIP, LEVER				

HYDRAULIC PUMP-MOTOR

ZT5400 - UPPER

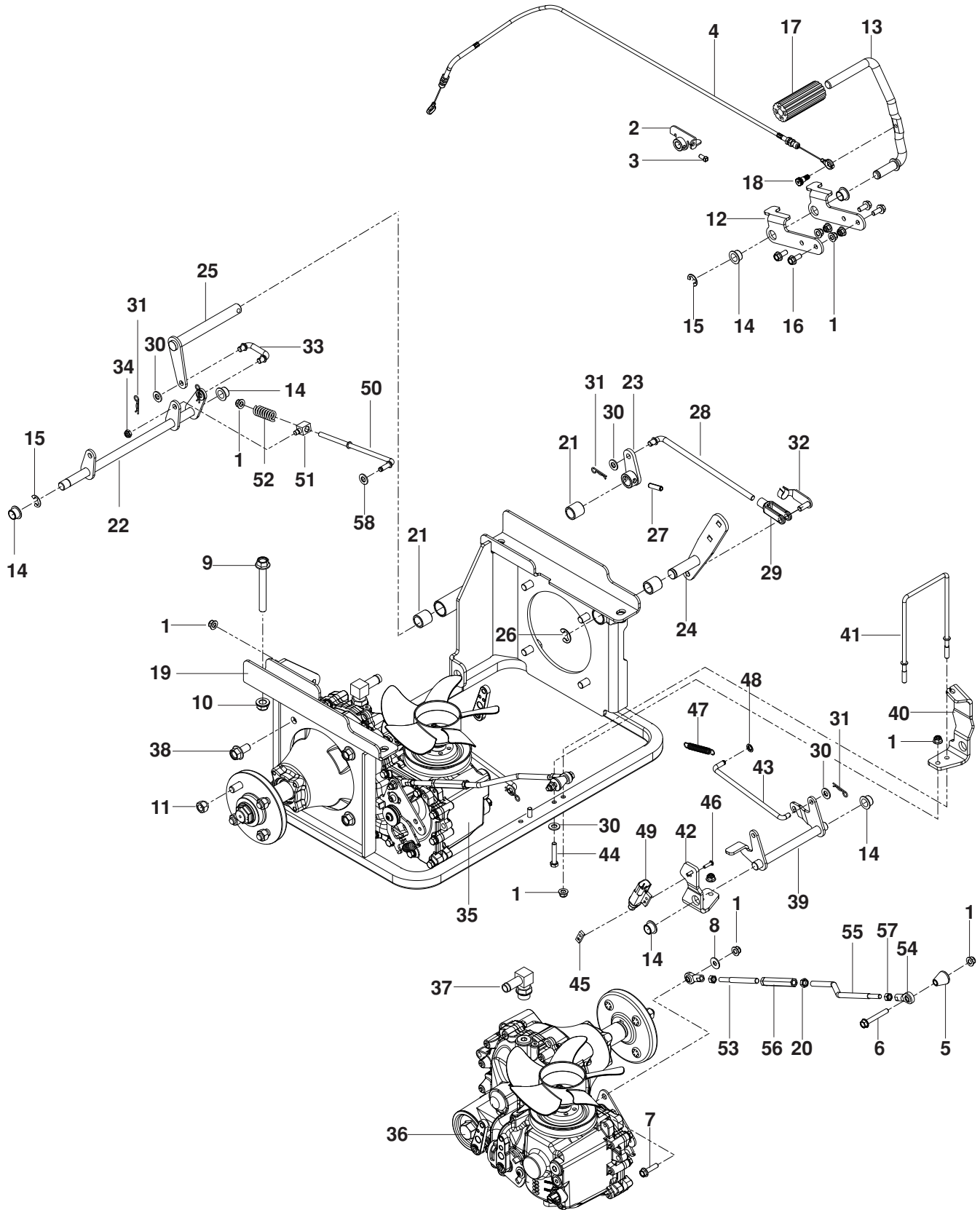


HYDRAULIC PUMP-MOTOR

ITEM	PART NO.	QTY.	DESCRIPTION	ITEM	PART NO.	QTY.	DESCRIPTION
1..	575 961504....	1 SHIELD, FAN	20..	574 891104....	1 ARM, IDLER w/ BEARINGS
2..	525 464701....	4 SCREW $\frac{5}{16}$ -18 x $\frac{3}{4}$ HEX FLG	21..	539 976688....	1 PULLEY, IDLER
3..	522 801401....	2 BUMPER, MALE STUD $\frac{1}{4}$ -20	22..	510 283702....	1 IDLER, FLAT $5\frac{1}{2}$
4..	539 976978....	6 NUT $\frac{1}{4}$ -20 NYLOC	23..	574 891202....	1 MOUNT, IDLER
5..	539 990598....	6 WASHER $\frac{1}{4}$ FLAT	24..	525 435601....	1 PIVOT, IDLER
6..	575 586701....	1 BELT	25..	574 975601....	1 BUSHING, PIVOT
7..	539 115574....	1 EYE BOLT $\frac{5}{16}$ x $3\frac{1}{2}$	26..	539 114662....	1 SHIELD, DUST, $\frac{1}{2}$ " ID
8..	539 102914....	1 RELAY	27..	510 254501....	1 SHIELD, DUST
9..	523 017202....	1 MOUNT, EXPANSION TANK	28..	510 262201....	2 SHIELD, DUST
10..	574 499201....	2 TANK, EXPANSION ASSY	29..	521 991101....	1 NUT $\frac{1}{2}$ -13 FLG NYLOC
11..	523 017301....	1 HOSE, RT	30..	525 828901....	1 BOLT $\frac{1}{2}$ -13 x 3 HEX FLG
12..	523 017302....	1 HOSE, LT	31..	521 996501....	3 NUT $\frac{3}{8}$ -16 FLG NYLOC
13..	539 990074....	4 RHSNB $\frac{1}{4}$ -20 x $\frac{3}{4}$ GR2	32..	539 100145....	1 RHSNB $\frac{3}{8}$ -16 x 2
14..	539 104763....	2 RETAINER, U TYPE	33..	525 612801....	2 SCREW $\frac{3}{8}$ -16 x 1 HEX FLG
15..	539 112899....	2 NUT $\frac{5}{16}$ -18 HEX FLG NYLOC	NOT SHOWN			
16..	575 470901....	1 SPRING, EXTENSION	539 976856....	1 TIE PLASTIC	
17..	502 280001....	3 TIE WRAP w/CLIP	575 442101....	1 HARNESS w/ RELAY	
18..	539 976977....	1 NUT #10-24 HEX NYLOC				
19..	574 822701....	1 SCREW #10-24 x $\frac{3}{4}$ SKT HD				

HYDRAULIC PUMP-MOTOR

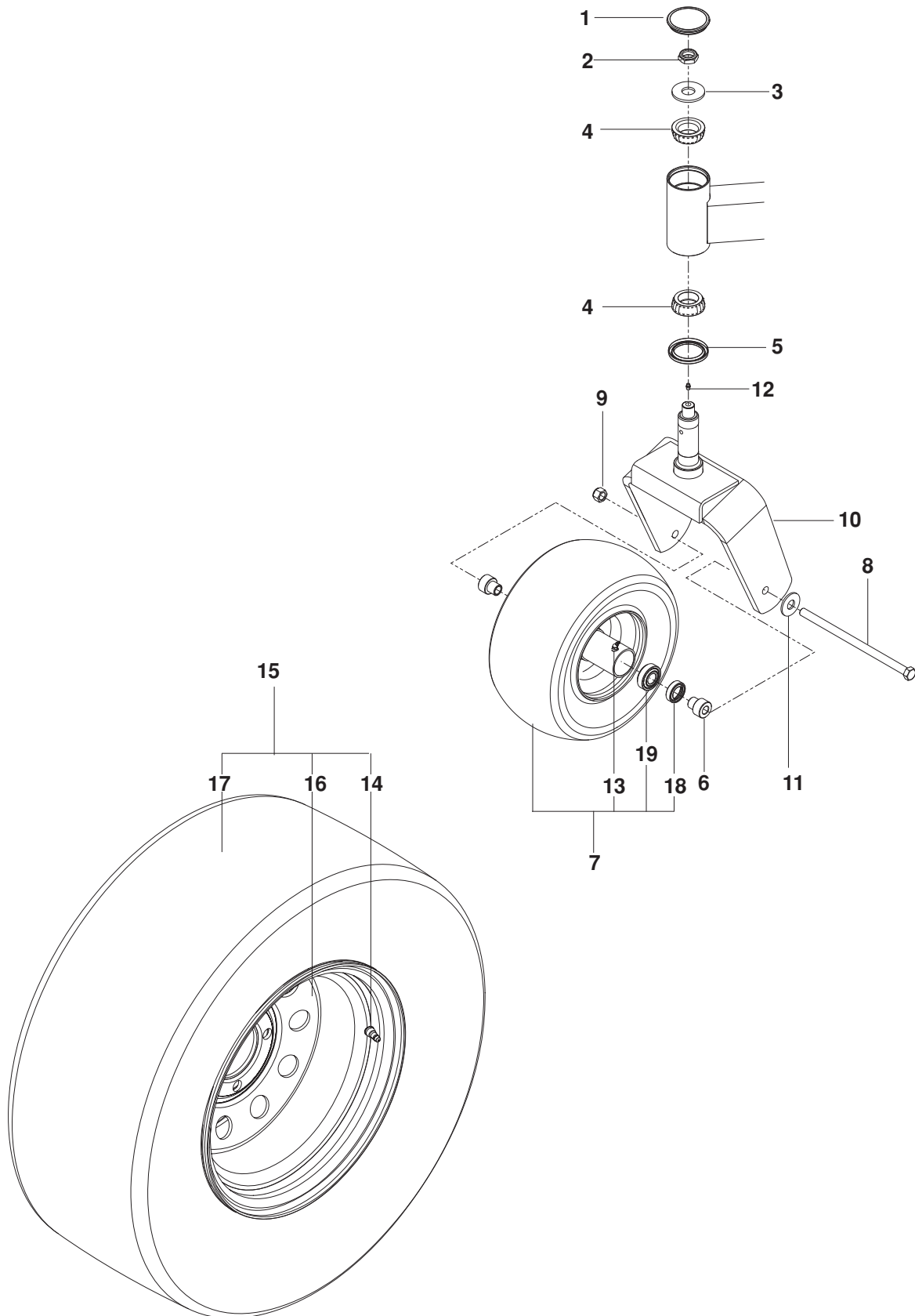
ZT5400 - LOWER



HYDRAULIC PUMP-MOTOR

ITEM	PART NO.	QTY.	DESCRIPTION	ITEM	PART NO.	QTY.	DESCRIPTION
1..	539 112899..	14	NUT 5/16-18 HEX FLG NYLOC	31..	539 976988....	5	HAIRPIN COTTER
2..	575 295603....	1	BRACKET, CABLE	32..	522 705901....	1	PIN 3/8 CLEVIS SPRING
3..	539 102717....	1	SCREW 5/16-18 SQ SET	33..	574 866401....	1	LINKAGE, BRAKE, MIDDLE
4..	527 290001....	1	CABLE, 2 SPEED	34..	539 115617....	2	NUT 5/16-18 NYLOC INSERT
5..	574 884001....	2	SPACER 1" TAPERED	35..	574 860801....	1	ZT5400, LEFT
6..	574 233801....	2	SCREW 5/16-18 x 2 1/4 HEX FLG	36..	574 860802....	1	ZT5400, RIGHT
7..	525 544001....	2	SCREW 5/16-18 x 1 1/4 TPBLT	37..	529 311401....	2	FITTING, 4601-10-10
8..	539 990692....	2	WASHER 5/16 FLT	38..	574 210601....	8	SCREW 1/2-13 x 1 HEX FLG
9..	525 544801....	4	BOLT 1/2-13 x 4 HEX FLG	39..	574 875701....	1	CRANK, TWO SPEED
10..	521 991101....	4	NUT 1/2-13 FLG NYLOC	40..	574 876101....	1	BRACKET, TWO SPEED, LT
11..	539 101173....	8	NUT 1/2 LUG	41..	574 882201....	1	ROD, BELT KEEPER
12..	575 303801....	2	BRACKET, PEDAL	42..	574 876102....	1	BRACKET, TWO SPEED, RT
13..	575 303701....	1	LEVER, PEDAL	43..	574 876401....	2	LINKAGE, TWO SPEED
14..	574 866101....	6	BUSHING .625 FLANGE	44..	539 990669....	2	BOLT 5/16-18 x 1 3/4 HEX NYL
15..	539 105069....	2	E-RING, .625	45..	539 102678....	1	TAPPED PLATE
16..	525 464701....	4	SCREW 5/16-18 x 3/4 HEX FLG	46..	574 822701....	2	SCREW #10-24 x 3/4 SKT
17..	510 089501....	1	PAD, FOOT PEDAL	47..	539 977250....	2	SPRING
18..	575 471001....	1	BOLT 3/8 x 1 1/4 SHLDR	48..	539 107626....	4	PUSHNUT
19..	574 857502....	1	FRAME, ZT5400	49..	575 621101....	1	SWITCH, PLUNGER, SEALED
20..	539 108732....	2	NUT 3/8-24 JAM	50..	574 866501....	2	LINKAGE, BRAKE LOWER
21..	510 089201....	4	BUSHING 3/4 x 1 SLEEVE	51..	525 851401....	2	SWIVEL, BRAKE
22..	574 858501....	1	SHAFT, LOWER	52..	539 104986....	2	SPRING
23..	510 025901....	1	ARM, RT BRAKE	53..	522 559201....	2	LINKAGE, CONTROL FT
24..	522 957701....	1	LEVER, LOWER BRAKE	54..	539 102590....	4	BALL END
25..	574 858301....	1	SHAFT, BRAKE	55..	523 022101....	2	ROD, CONTROL
26..	539 102454....	1	E-RING 3/4	56..	539 109149....	2	TURNBUCKLE 3/8
27..	539 110631....	1	ROLL PIN 5/16 DIAMETER	57..	539 990223....	2	NUT 5/16-24
28..	574 866301....	1	LINKAGE, BRAKE UPPER	58..	539 110452....	2	WASHER
29..	539 977465....	1	YOKE 3/8-24	NOT SHOWN			
30..	539 990122....	7	WASHER 3/8 SAE FLT	576 127201....	1	FILTER w/ O-RING	

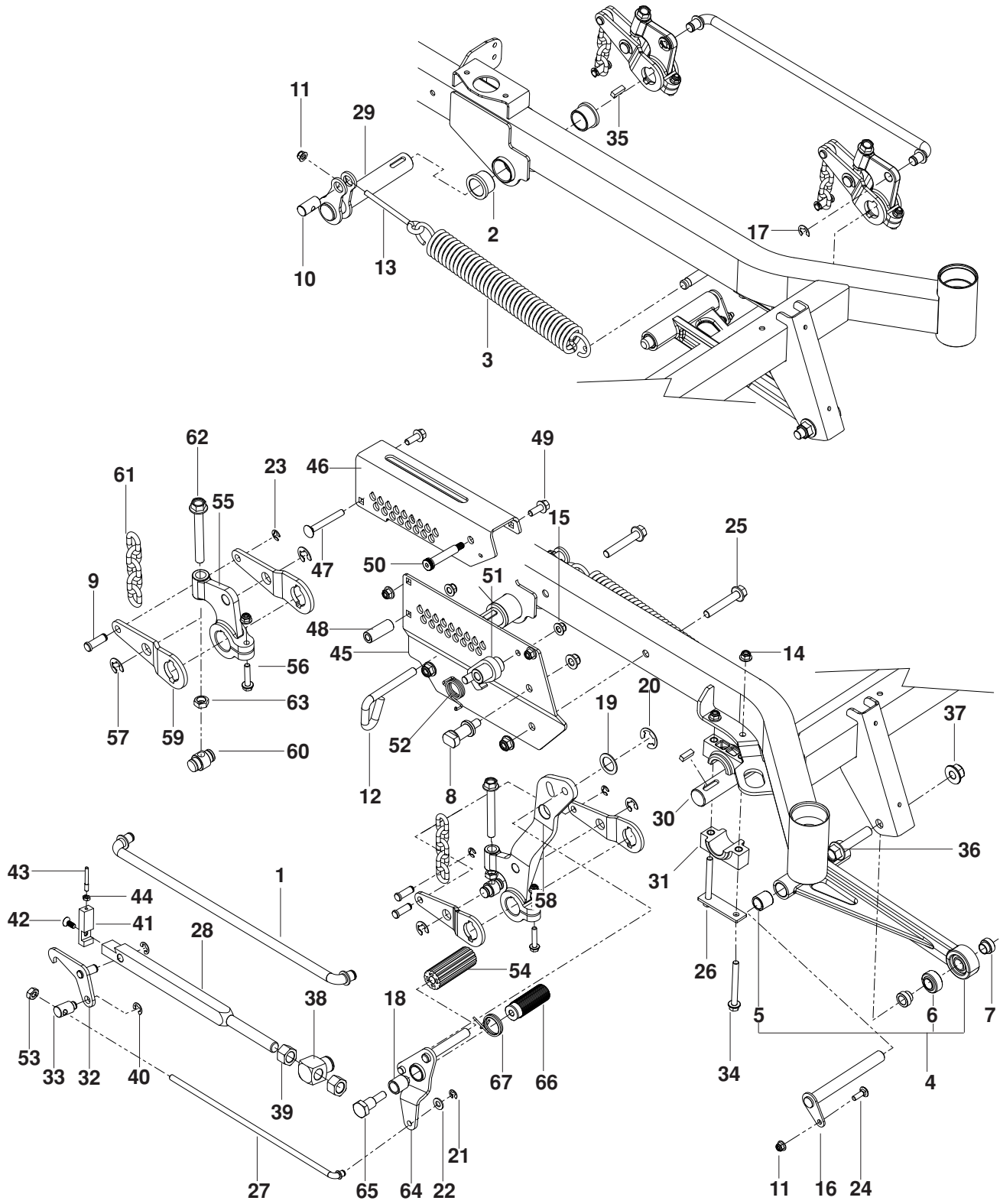
WHEELS / TIRES



WHEELS / TIRES

ITEM	PART NO.	QTY.	DESCRIPTION	ITEM	PART NO.	QTY.	DESCRIPTION
1..	510 034001....	2	CAP, DUST	12..	539 101474....	2	ZERK
2..	522 842601....	2	NUT 3/4-16 HEX THIN NYLOC	13..	539 103300....	2	ZERK
3..	574 824701....	2	WASHER 3/4 HARDENED	14..	539 912234....	2	STEM, VALVE
4..	510 034401....	4	BEARING, TAPERED	15..	510 154501....	2	TIRE ASSY 24 x 12
5..	510 034301....	2	SEAL, BEARING	16..	5510 154502..	2	RIM 12 x 1.75 NEG OFFSET
6..	539 105518....	4	AXLE SPACER	17..	539 105152....	2	TIRE 24 x 12 4 PLY
7..	510 154601....	2	TIRE ASSY 13 x 6.5, FLT FREE	18..	539 105524....	2	SEAL, CASTER TIRE
8..	539 105517....	2	BOLT 1/2-13 x 9 1/2 HEX NYLOC	19..	539 105525....	2	BEARING (CUP AND CONE)
9..	521 991101....	2	NUT 1/2-13 HEX FLG NYLOC	NOT SHOWN			
10..	525 611902....	2	FORK, CASTER	539 105521....	2	TIRE ASSY 13 x 6.5 PNEU (optional)	
11..	539 990250....	2	WASHER 1/2 SAE				

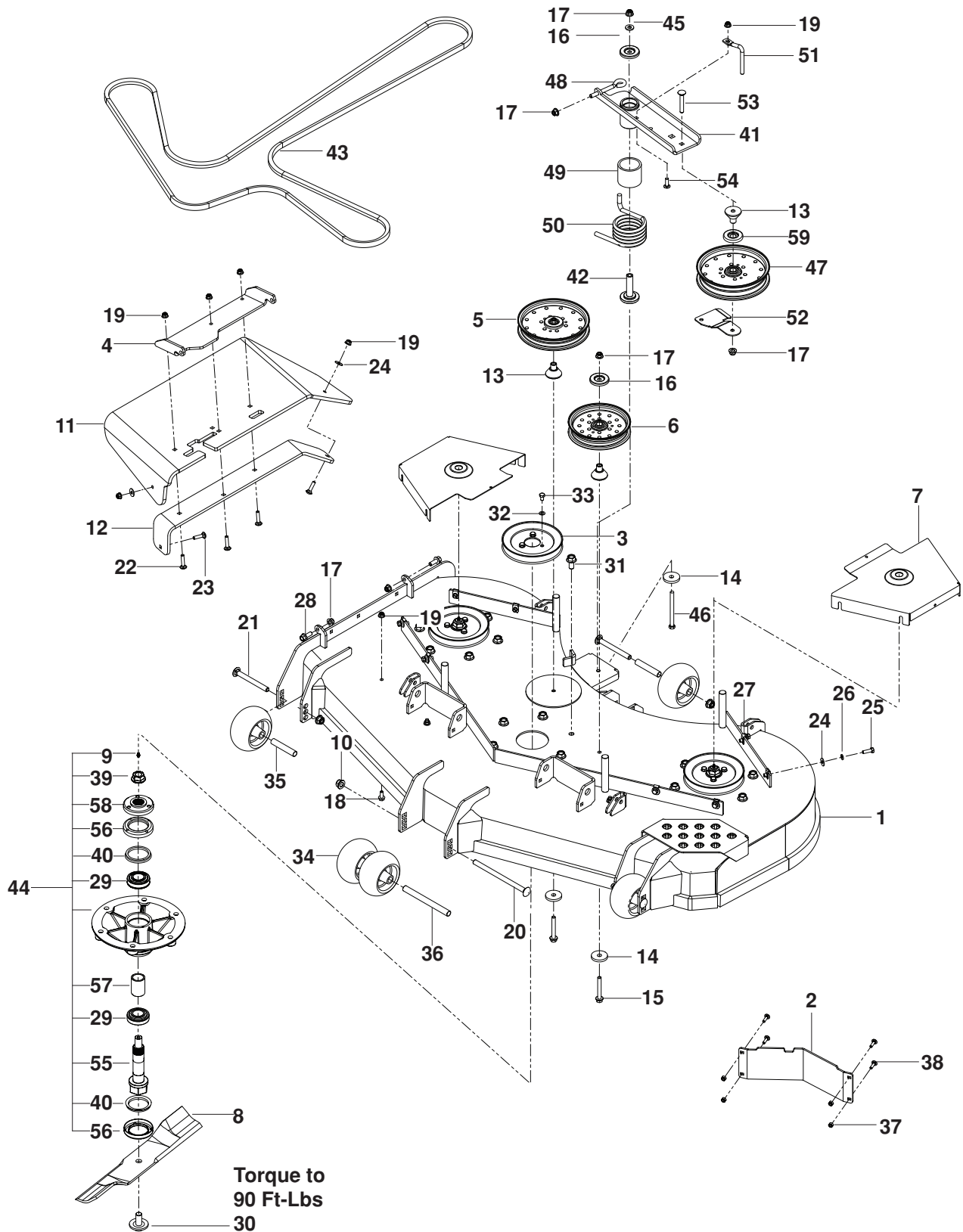
MOWER LIFT / DECK LIFT



MOWER LIFT / DECK LIFT

ITEM	PART NO.	QTY.	DESCRIPTION	ITEM	PART NO.	QTY.	DESCRIPTION
1..	510 089801....2	ROD, LIFT	35..	525 822501....4	KEY $\frac{5}{16}$ SQ x 1
2..	510 089401....4	BUSHING, FLANGED 1 $\frac{1}{4}$ ID	36..	525 829001....2	SCREW $\frac{5}{8}$ -11 x 3 HEX FLG
3..	510 029201....2	SPRING, EXTENSION	37..	525 829101....2	NUT $\frac{5}{8}$ -11 FLG NYLOC
4..	510 106501....2	STRUT ASSY	38..	510 406401....1	SWIVEL, HEIGHT BAR
5..	510 089201....2	BUSHING, SLEEVE $\frac{3}{4}$ x 1	39..	539 108677....2	NUT $\frac{3}{4}$ -10 HEX
6..	510 083801....1	BALLJOINT $\frac{3}{4}$ SWIVEL	40..	539 101949....2	E-RING $\frac{1}{2}$ "
7..	510 362501....4	SPACER, STRUT	41..	510 406501....1	CAP, HEIGHT BAR
8..	510 406701....1	GUIDE, HEIGHT BAR	42..	522 705601....1	SCREW $\frac{5}{16}$ -18 x $\frac{3}{4}$ HEX SCKT
9..	510 090101....8	PIN, $\frac{7}{16}$ CLEVIS	43..	510 406601....1	LINK, INDICATOR
10..	510 412301....2	PIVOT, SPRING	44..	539 991112....1	NUT $\frac{1}{4}$ -20 JAM
11..	539 112899....8	NUT $\frac{5}{16}$ -18 HEX FLG NYLOC	45..	510 408502....1	PLATE, INNER HEIGHT
12..	510 016501....1	PIN, HEIGHT	46..	510 408602....1	PLATE, OUTER HEIGHT
13..	539 120993....2	EYEBOLT 4 $\frac{1}{2}$	47..	539 122728....1	BOLT $\frac{3}{8}$ -16 x 3 RD HD GR2
14..	521 996501....4	NUT $\frac{3}{8}$ -16 HEX FLG NYLOC	48..	510 408401....1	SPACER, HEIGHT PLATE
15..	521 991101....3	NUT $\frac{1}{2}$ -13 HEX FLG NYLOC	49..	525 612801....2	SCREW $\frac{3}{8}$ -16 x 1 HEX FLG
16..	515 988201....2	PIN, STRUT	50..	516 035501....1	BOLT $\frac{1}{2}$ x 2 $\frac{1}{4}$, $\frac{3}{8}$ -16 SHLDR
17..	539 105069....4	E-RING $\frac{5}{8}$	51..	510 406801....1	LATCH, TRANSPORT
18..	510 089201....1	BUSHING, SLEEVE $\frac{3}{4}$ x 1	52..	510 376601....1	SPRING, TORSION
19..	539 916561....1	BUSHING 1" x 14 GA	53..	539 108732....1	NUT $\frac{3}{8}$ -24 HEX JAM
20..	539 912730....1	E-RING 1"	54..	510 089501....1	PAD, FOOT PEDAL
21..	539 990870....1	E- RING $\frac{3}{8}$ "	55..	510 022501....1	ARM, CAST LIFT
22..	539 990122....1	WASHER, $\frac{3}{8}$ SAE FLT	56..	525 465401....1	SCREW $\frac{5}{16}$ -18 x 1 $\frac{1}{2}$ HEX FLG
23..	522 705201....4	E-RING $\frac{7}{16}$ "	57..	539 102454....3	E-RING $\frac{3}{4}$ "
24..	539 990208....2	BOLT $\frac{5}{16}$ -18 x 1 RD HD	58..	510 022502....1	LEVER, DECK LIFT
25..	525 828901....2	BOLT $\frac{1}{2}$ -13 x 3 HEX FLG	59..	510 410002....4	ARM, LIFT
26..	525 822201....2	PLATE, PILLOW BLOCK	60..	510 023601....4	SHAFT, LIFT TRUNION
27..	510 407601....1	ROD, HEIGHT LATCH	61..	539 102641....4	LIFT CHAIN
28..	510 406301....1	BAR, HEIGHT	62..	525 465701....4	BOLT $\frac{1}{2}$ -13 x 4 HEX TPBLT
29..	510 410703....2	SHAFT, RR LIFT	63..	539 990625....4	NUT $\frac{1}{2}$ -13 HEX JAM
30..	510 409602....1	SHAFT, LIFT, FT	64..	510 407801....1	PEDAL, RELEASE
31..	510 023902....4	BLOCK, PILLOW	65..	510 408201....1	BOLT, SHOULDER
32..	510 407201....1	LATCH, HEIGHT	66..	510 408301....1	PEDAL, DECK HEIGHT
33..	510 407501....1	SWIVEL, HEIGHT LATCH	67..	510 376701....1	SPRING, TORSION
34..	525 822101....4	SCREW $\frac{3}{8}$ -16 x 3 $\frac{1}{2}$ HEX FLG				

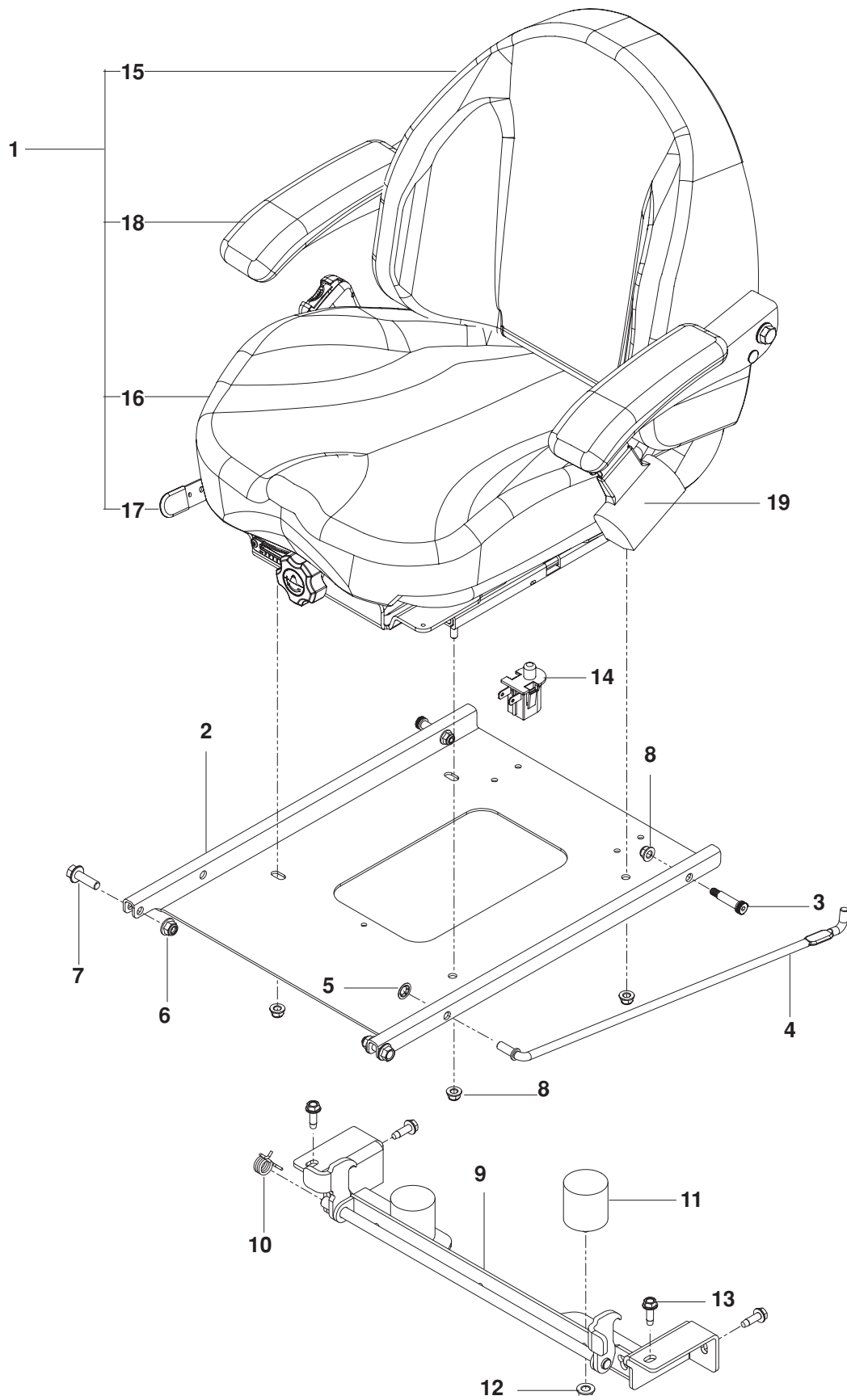
MOWING DECK / CUTTING DECK



MOWING DECK / CUTTING DECK

ITEM	PART NO.	QTY.	DESCRIPTION	ITEM	PART NO.	QTY.	DESCRIPTION
1..	574 497201....	1 DECK w/ SAFETY DECALS	33..	539 130315....	9 BOLT $\frac{5}{16}$ -18 x $\frac{1}{2}$ HEX NYLOC
2..	510 437502....	1 BAFFLE, FLOW DIVERTER	34..	574 169601....	5 ROLLER, GAUGE
3..	539 130646....	3 PULLEY	35..	574 196401....	2 TUBE, ROLLER AXLE
4..	574 197002....	1 BRACKET, CHUTE PIVOT	36..	574 196501....	1 TUBE, ROLLER AXLE LONG
5..	525 598201....	1 PULLEY, IDLER 7" NARROW	37..	539 976978....	4 NUT $\frac{1}{4}$ -20 HEX NYLOC
6..	510 019601....	1 PULLEY, IDLER, 6"	38..	539 115620....	4 BOLT $\frac{1}{4}$ -20 x $\frac{3}{4}$ CARRIAGE
7..	510 131202....	2 SHIELD, BELT	39..	539 130653....	3 NUT $\frac{3}{4}$ -16 FLG
8..	539 105711....	3 BLADE, 21"	40..	539 130639....	6 V-RING
9..	539 976998....	3 ZERK	41..	574 722201....	1 ARM, IDLER w/ BRGS, SPACR
10..	521 991101....	4 NUT $\frac{1}{2}$ -13 HEX FLG NYLOC	42..	522 729701....	1 BEARING, IDLER PIVOT
11..	525 485801....	1 CHUTE, DISCHARGE	43..	522 829601....	1 BELT, DECK
12..	525 486002....	1 BRACKET, CHUTE SUPPORT	44..	525 836401....	3 SPINDLE ASSY
13..	510 263701....	3 BEARING, IDLER ARM	45..	522 023401....	1 WASHER $\frac{3}{8}$ THICK
14..	539 106504....	3 WASHER, HEAVY	46..	539 101686....	1 BOLT $\frac{3}{8}$ -16 x $4\frac{1}{2}$ HEX GR 8
15..	539 131781....	2 SCREW $\frac{3}{8}$ -16 x $2\frac{3}{4}$ HEX FLG	47..	510 015101....	1 PULLEY, IDLER 7" WIDE
16..	510 254501....	2 SHIELD, DUST	48..	574 202001....	1 EYEBOLT $\frac{3}{8}$ x 4
17..	521 996501....	4 NUT $\frac{3}{8}$ -16 HEX FLG NYLOC	49..	525 465601....	1 SPACER, IDLER PIVOT
18..	525 464701....	3 SCREW $\frac{5}{16}$ -18 x $\frac{3}{4}$ HEX FLG	50..	525 310901....	1 SPRING, TORSION
19..	539 112899....	9 NUT $\frac{5}{16}$ -18 HEX FLG NYLOC	51..	574 262201....	1 KEEPER, BELT
20..	510 022401....	1 BOLT $\frac{1}{2}$ -13 x 8 RD HD	52..	574 262102....	1 GUIDE, BELT
21..	510 022301....	3 BOLT $\frac{1}{2}$ -13 x $4\frac{3}{4}$ RD HD	53..	539 128101....	1 BOLT $\frac{3}{8}$ -16 x $2\frac{1}{2}$ CARRIAGE
22..	539 102933....	3 BOLT $\frac{5}{16}$ -18 x $1\frac{1}{2}$ RD HD	54..	539 107271....	1 BOLT $\frac{5}{16}$ -18 x 1 RD HD
23..	539 100472....	2 BOLT $\frac{5}{16}$ -18 x $1\frac{1}{4}$ RD HD	55..	525 836001....	3 SHAFT, SPINDLE
24..	539 990692....	10 WASHER $\frac{5}{16}$ STD FLT	56..	539 130643....	6 CUP, DEBRIS
25..	539 990209....	8 BOLT $\frac{5}{16}$ -18 x 1 HEX HD	57..	539 130641....	3 SPACER
26..	539 990187....	8 WASHER $\frac{5}{16}$ SLW	58..	539 130637....	3 HUB
27..	539 104763....	8 RETAINER, U TYPE	59..	510 262201....	1 SHIELD, DUST
28..	525 612801....	2 SCREW $\frac{3}{8}$ -16 x 1 HEX FLG	NOT SHOWN - OPTIONAL			
29..	539 130638....	6 BEARING	522 829301....	3 BLADE, HIGH LIFT 21"	
30..	539 119007....	3 BLADE BOLT	574 481301....	3 BLADE, LOW LIFT 21"	
31..	574 210601....	18 SCREW $\frac{1}{2}$ -13 x 1 HEX FLG	522 936601....	3 BLADE, GATOR 21"	
32..	539 109600....	9 WASHER $\frac{5}{16}$ DISC SPRING	539 109755....	3 BLADE, WAVY REV LIFT 21"	

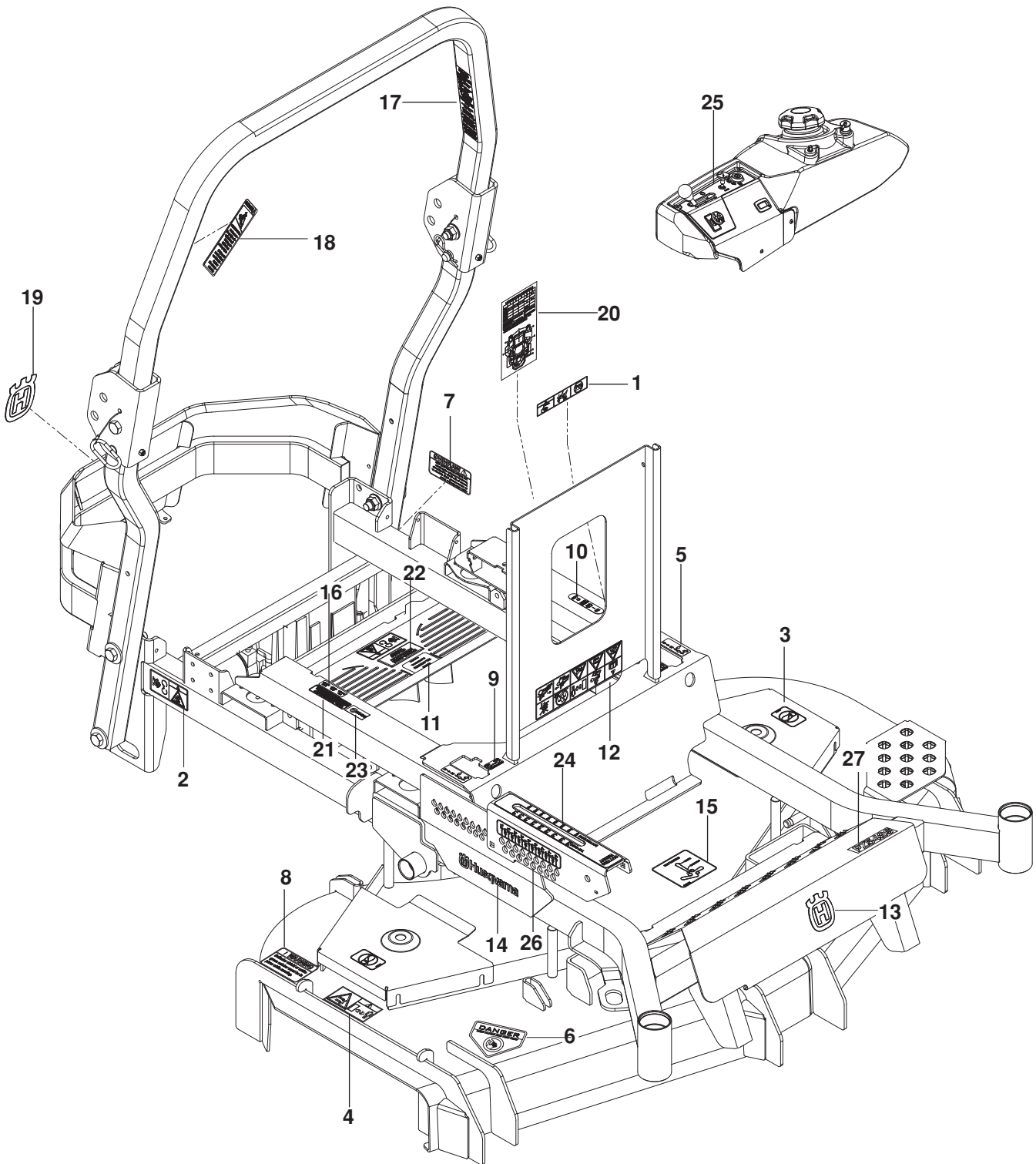
SEAT



SEAT

ITEM	PART NO.	QTY.	DESCRIPTION	ITEM	PART NO.	QTY.	DESCRIPTION
1..	574 284601....	1 SEAT ASSY	11..	510 283801....	2 BUMPER, RUBBER
2..	510 039302....	1 PAN, SEAT	12..	521 996501....	2 NUT $\frac{3}{8}$ -16 HEX FLG NYLOC
3..	515 990601....	2 BOLT $\frac{3}{8}$ x $1\frac{1}{4}$ $\frac{5}{16}$ -18 SHLDR	13..	539 113226....	4 BOLT $\frac{5}{16}$ -18 x 1 THD FRM
4..	510 064101....	1 ROD, SEAT	14..	539 119741....	1 SWITCH, SEAT
5..	539 913847....	2 RETAINER NUT $\frac{3}{8}$	15..	574 284602....	1 COVER, BACK
6..	521 996501....	2 NUT $\frac{3}{8}$ -16 HEX FLG NYLOC	16..	574 284603....	1 COVER KIT, CUSHION
7..	525 834201....	2 SCREW $\frac{3}{8}$ -16 x $1\frac{1}{4}$ HEX FLG	17..	574 284604....	1 TRACK KIT
8..	539 112899....	6 NUT $\frac{5}{16}$ -18 HEX FLG NYLOC	18..	574 284605....	1 ARMREST, LT
9..	574 182202....	1 LATCH, SEAT		574 284606....	1 ARMREST, RT
10..	520 283101....	1 SPRING, TORSION	19..	539 130359....	1 SEAT BELT

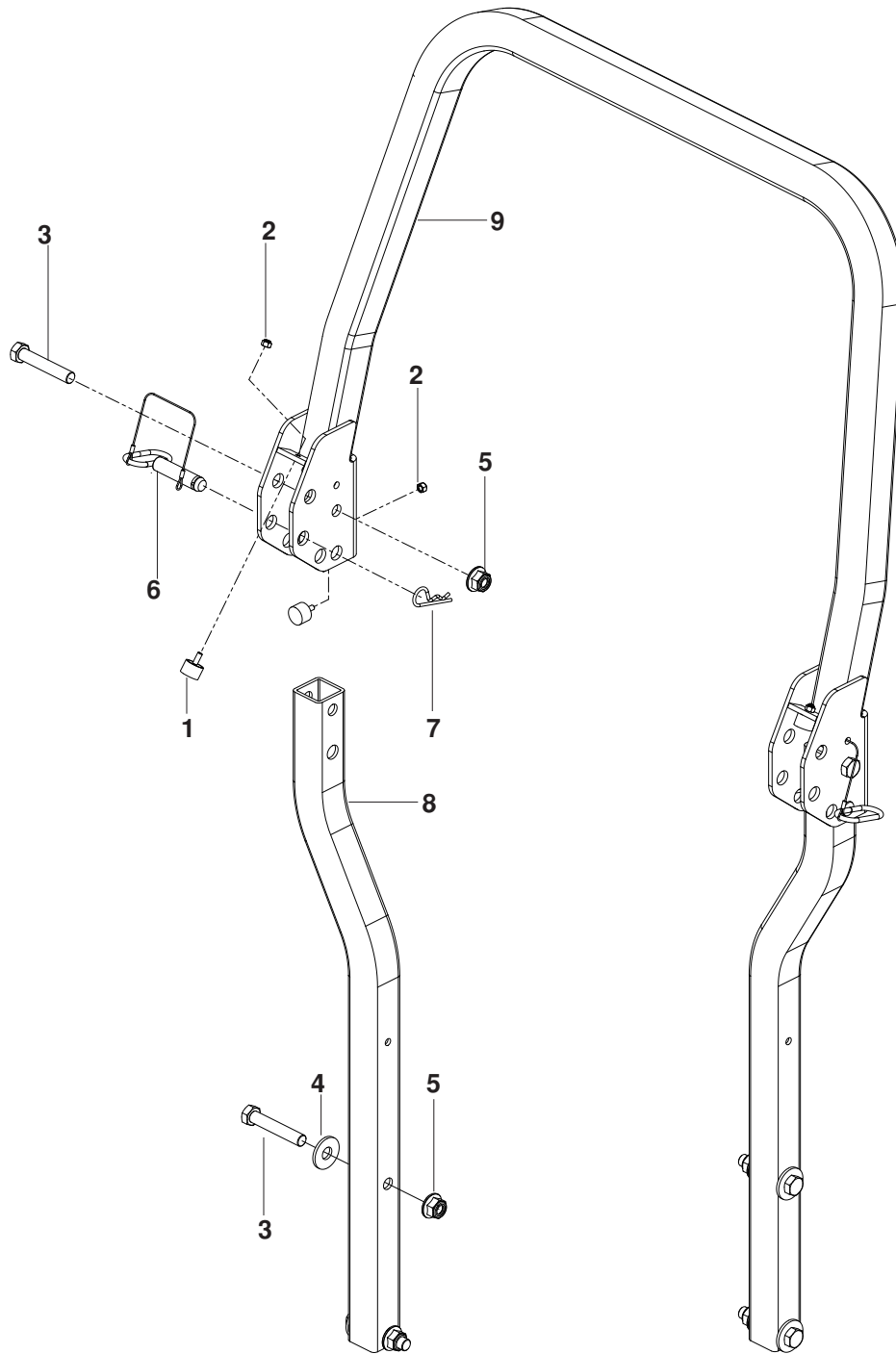
DECALS



DECALS

ITEM	PART NO.	QTY.	DESCRIPTION	ITEM	PART NO.	QTY.	DESCRIPTION
1..	539 105745....	1DECAL, BATTERY WARNING	15..	574 437301....	1DECAL, BELT ROUTE
2..	539 105744....	2DECAL, BELT DRIVE WARN	16..	574 569401....	1DECAL, FUSE
3..	539 105743....	2DECAL, NO STEP	17..	574 569006....	1DECAL, ROPS
4..	539 105746....	1DECAL, SEVERING	18..	574 569002....	1DECAL, ROPS WARNING
5..	539 103333....	2DECAL, MOTION CONTROL	19..	574 455001....	1EMBLEM, CROWN H LRG
6..	539 913010....	1DECAL, BLADE WARNING	20..	574 825901....	1DECAL, SERVICE
7..	539 101881....	1DECAL, EXHAUST	21..	532 424102....	1DECAL, SPARK ARRESTOR
8..	539 113224....	1DECAL, DEFLECTOR	22..	574 815502....	1DECAL, HYDRO GEAR
9..	539 110974....	2DECAL, TRACKING	23..	574 110279....	1DECAL, ECM AUSTRALIA
10..	539 120006....	1DECAL, PARK BRAKE	24..	516 138101....	1DECAL, HEIGHT
11..	539 114832....	1DECAL, OIL TANK	25..	510 246602....	1DECAL, CONTROL
12..	539 107959....	1DECAL, WARNING	26..	525 349701....	1DECAL, HEIGHT
13..	532 428676....	1EMBLEM, CROWN H SM	27..	574 569605....	1DECAL, PZ6034ZT
14..	532 429196....	2EMBLEM, HUSQVARNA				

PROTECTION FRAME



PROTECTION FRAME

ITEM	PART NO.	QTY.	DESCRIPTION	ITEM	PART NO.	QTY.	DESCRIPTION
1..	522 801401....4	BUMPER, MALE STUD 1/4-20	6..	574 388001....2	LATCH PIN w/ LANYARD
2..	539 976978....4	NUT 1/4-20 HEX NYLOC	7..	539 200715....2	PIN, HAIR
3..	539 115576....6	HCS 5/8-18 x 3 1/2	8..	574 330902....2	TUBE, SIDE GRAY
4..	539 102653....4	WASHER 5/8 STD FLAT	9..	575 324502....1	ROPS, TOP, GRAY
5..	525 829101....6	NUT 5/8-11 FLG NYLOC				

