

532 44 54-73



Repair Parts Manual Manual De Repuestos

YTH23K48 / 96045003500

Please read the operator's manual carefully and make sure you understand the instructions before using the machine.

Por favor lea cuidadosamente y comprenda estas instrucciones antes de usar esta maquina.



English/Spanish

HOW TO USE THIS MANUAL

This manual is designed to provide the customer with a means to identify the parts on his/her tractor when ordering repair parts. The illustrations may or may not represent the actual assemblies; therefore, it is not recommended to use this manual as a guide to assemble or disassemble the tractor. Some hardware and parts are drawn larger in order to more readily identify them.

Each tractor has its own model number.

The model number for your tractor can be found on the fender under the seat.

When ordering parts, always give the following information:

- Product - "TRACTOR"
- MODEL NUMBER - "YTH23K48" (96045003500)"
- Part Number
- Part Description

TABLE OF CONTENTS

SCHEMATIC	3
ELECTRICAL.....	4-5
CHASSIS	6-7
DRIVE.....	8-9
ENGINE.....	10-11
STEERING	12-13
MOWER DECK.....	14-15
MOWER LIFT.....	16
SEAT	17
DECALS.....	18
WARRANTY.....	19-22

COMO UTILIZAR ESTE MANUAL

Este manual está diseñado para brindarle al comprador un medio para identificar las piezas del tractor para cuando necesite hacer el pedido de un repuesto. Las ilustraciones pueden o no representar los ensambles reales; por lo tanto, no se recomienda utilizar este manual como una guía para ensamblar o desarmar el tractor. Algunos accesorios y piezas están dibujados en tamaños más grandes para identificarlos con mayor facilidad.

Cada tractor tiene su propio número de modelo.

El número de modelo del tractor se encuentra en el guardabarros debajo del asiento.

Cuando haga el pedido de una pieza, siempre brinde la siguiente información:

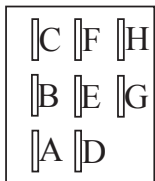
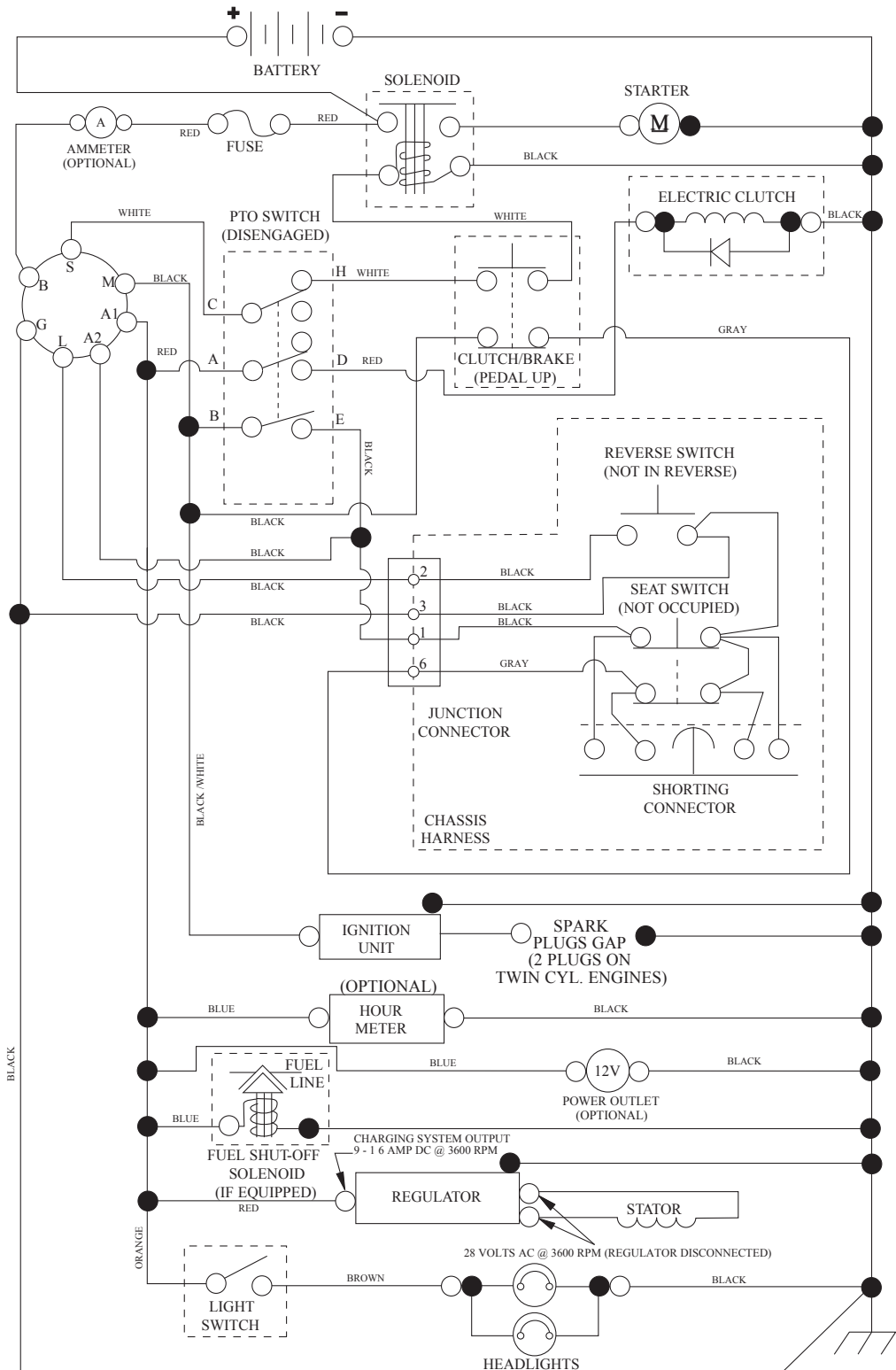
- Producto: "TRACTOR"
- NÚMERO DE MODELO: "YTH23K48"(96045003500)"
- Número de pieza
- Descripción de la pieza

ÍNDICE

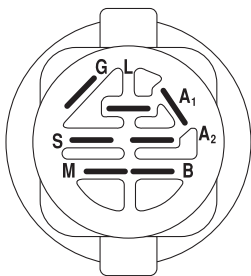
DIAGRAMA.....	23
DIAGRAMA ELÉCTRICO	24-25
CHASIS.....	26-27
TRANSMISIÓN	28-29
MOTOR	30-31
DIRECCIÓN	32-33
PLATAFORMA DE LA CORTADORA DE CÉSPED.....	34-35
ELEVACIÓN DE LA CORTADORA DE CÉSPED.....	36
ASIENTO.....	37
CALCOMANÍAS.....	38
GARANTÍA.....	39-42

TRACTOR - MODEL NO. YTH23K48 (96045003500), PRODUCT NO. 960 45 00-35 SCHEMATIC

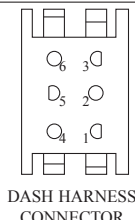
SCH12



PTO SWITCH (MATING SIDE)



POSITION	CIRCUIT	"MAKE"
OFF	M+G+A1	
RUN/OVERRIDE	B+A1	
RUN	B+A1	L+A2
START	B + S + A1	

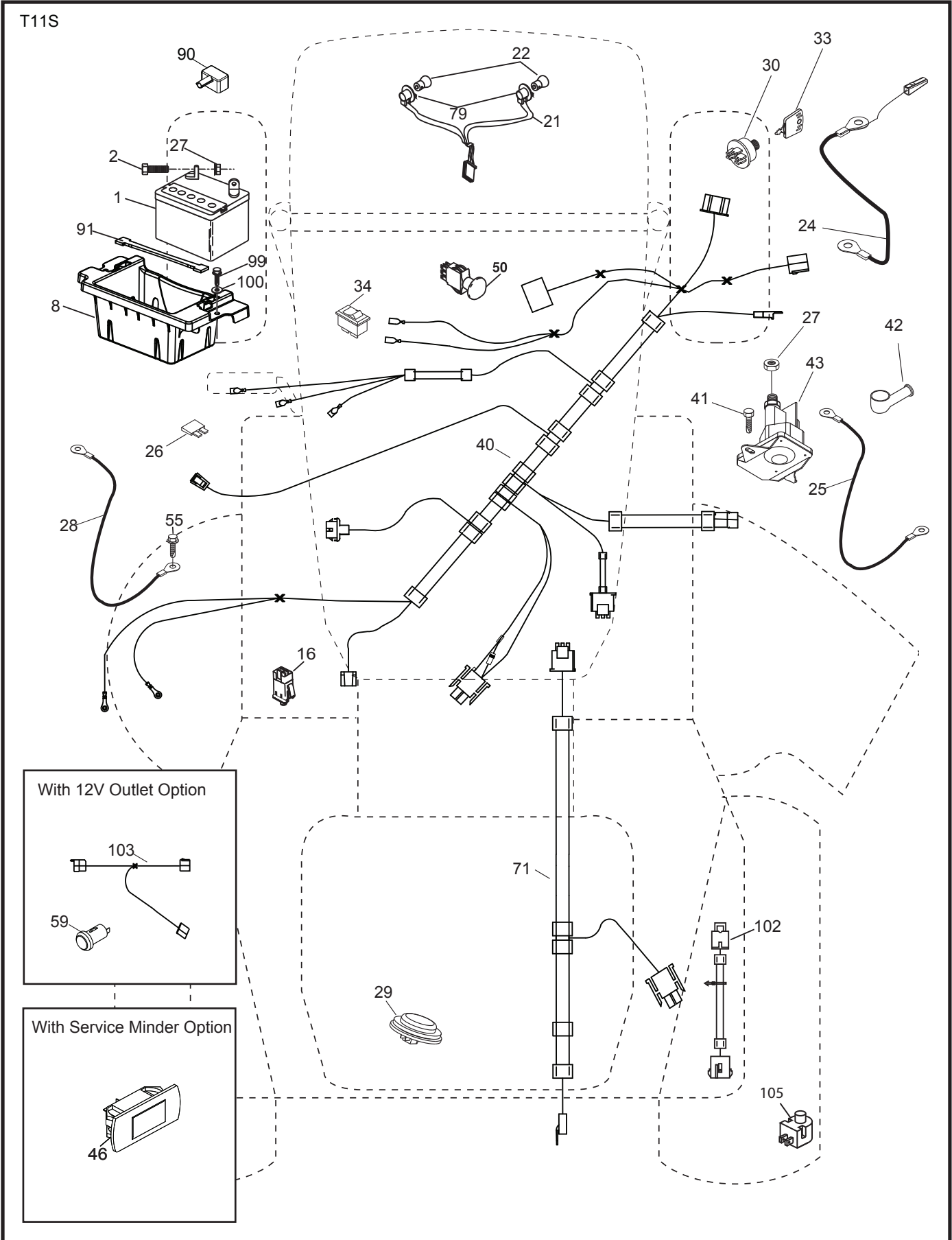


WIRING INSULATED CLIPS
NOTE: IF WIRING INSULATED CLIPS WERE REMOVED FOR SERVICING OF UNIT, THEY SHOULD BE RE-INSTALLED TO PROPERLY SECURE YOUR WIRING.

NON-REMOVABLE CONNECTIONS

REMOVABLE CONNECTIONS

**TRACTOR - MODEL NO. YTH23K48 (96045003500), PRODUCT NO. 960 45 00-35
ELECTRICAL**

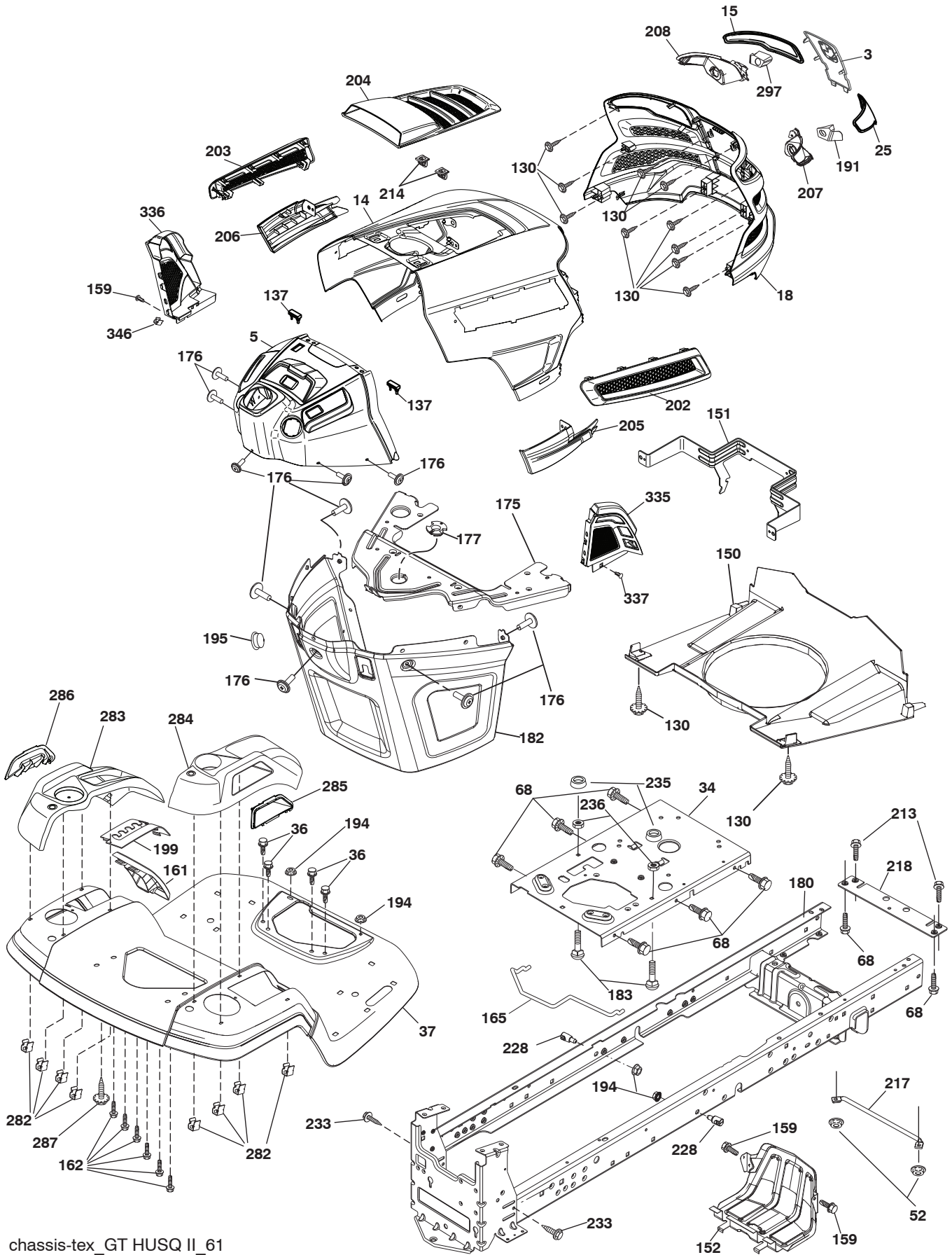


**TRACTOR - MODEL NO. YTH23K48 (96045003500), PRODUCT NO. 960 45 00-35
ELECTRICAL**

KEY NO.	PART NO.	DESCRIPTION
1	532 16 34-65	Battery
2	874 76 04-12	Bolt Hex Hd 1/4-20 unc x 3/4
8	532 18 64-91	Battery Box
16	532 17 61-38	Switch Interlock
21	532 40 02-52	Harness Socket Light
22	532 00 41-52	Bulb, Light #1156
24	532 40 02-53	Cable Battery
25	532 41 28-95	Cable Starter
26	532 17 51-58	Fuse
27	873 51 04-00	Nut Keps Hex 1/4-20 unc
28	532 14 54-91	Cable Ground 21" Blk 6 Ga.
29	532 40 15-45	Switch Seat
30	532 19 33-50	Switch Ign
33	532 41 19-33	Key/Chain
34	532 11 07-12	Switch Light/Reset
40	532 40 11-04	Harness Ign. Dash
41	817 72 04-08	Screw Thd Cut 1/4-20 x 1/2
42	532 13 15-63	Cover Terminal Red
43	532 19 25-07	Solenoid
46	532 40 17-63	Gauge Hourmeter
50	532 19 61-12	Switch PTO
55	817 06 05-12	Screw Thdrol 5/16-18 x 3/4
71	532 19 42-76	Harness Ign
79	532 17 52-42	Socket Asm. Bulb Twistlock
90	532 43 53-95	Cover Terminal Battery
91	532 19 02-70	Strap Battery
99	817 67 04-12	Screw Hexwsh Thdrol 1/4-20 x 3/4
100	819 09 14-16	Washer 9/32 x 7/8 x 16 Ga.
102	532 40 44-54	Harness Pigtail
105	532 40 75-68	Switch Reverse TT Pedal Control

NOTE: All component dimensions given in U.S. inches
1 inch = 25.4 mm

**TRACTOR - MODEL NO. YTH23K48 (96045003500), PRODUCT NO. 960 45 00-35
CHASSIS**



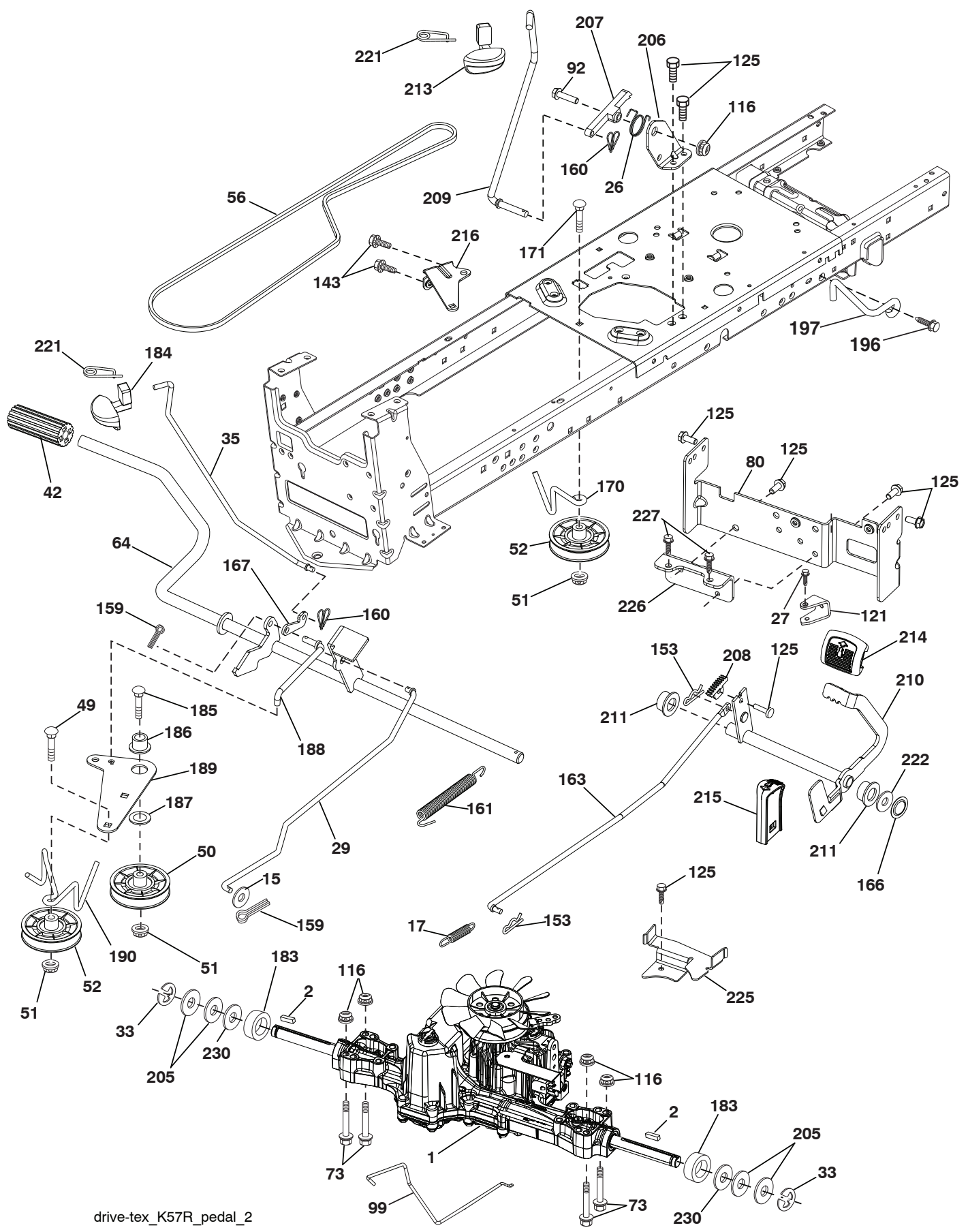
chassis-tex_GT HUSQ II_61

**TRACTOR - MODEL NO. YTH23K48 (96045003500), PRODUCT NO. 960 45 00-35
CHASSIS**

KEY NO.	PART NO.	DESCRIPTION	KEY NO.	PART NO.	DESCRIPTION
3	532 43 97-52	Logo	203	532 43 97-27	Vent Side Hood LH
5	532 43 74-72	Dash	204	532 43 57-14	Vent Top Hood
14	532 44 11-77	Hood	205	532 43 97-30	Skirt Hood Side RH
15	532 43 97-33	Lens LH	206	532 43 97-29	Skirt Hood Side LH
18	532 43 77-62	Grille	207	532 43 97-34	Bezel RH
25	532 44 33-85	Lens RH	208	532 43 97-35	Bezel LH
34	532 19 61-25	Plate Engine	213	874 76 05-12	Bolt 5/16-18 unc x 3/4
36	817 06 05-12	Screw 5/16-18 x 3/4	214	532 19 91-45	Clip Retainer Tinner
37	532 44 11-78	Fender	217	532 40 91-67	Rod Pivot
52	873 68 05-00	Nut Lock 5/16-18	218	532 19 63-95	X-Piece Hood Stop
68	817 49 05-08	Screw 5/16-18 x 1/2	228	532 19 51-61	Stud Fastner
130	532 41 63-58	Screw #10 x 0.750 BOS Thread	233	532 19 65-39	Bolt, Shoulder
137	532 40 75-90	Bumper Dash	234	532 40 47-42	Bumper Hood
150	532 43 97-74	Air Duct	235	532 40 61-29	Spacer Fender
151	532 43 66-70	Bracket Pivot	236	873 93 05-00	Nut Lock 5/16-18 unc
152	532 43 60-86	Shield Browning	282	532 41 41-10	Clip Retainer Console
159	817 00 05-12	Screw 3/8-16 3/4	283	532 43 98-61	Console Asm. Decklift
161	532 43 97-81	Window Fuel	284	532 43 98-23	Console Asm.
162	532 14 24-32	Screw	285	532 41 63-15	Console Insert RH
165	532 19 68-26	Support Tank Rear	286	532 41 63-17	Console Insert LH
175	532 19 63-04	Crossmember	287	817 60 04-06	Screw Hex Washhead 1/4-20 x 3/8
176	532 40 07-76	Screw 10-24 x 5/8	297	532 43 74-56	Insert Reflective LH
177	532 19 52-27	Bushing Steering	335	532 43 98-47	Cover Lower Dash Close Out RH
180	532 19 54-57	Chassis	336	532 44 53-09	Cover Lower Dash LH
182	532 40 68-59	Dash Lower	337	532 43 81-37	Clip Xmas Tree
183	874 52 05-20	Bolt Fin Hex 5/16-18 unc x 1-1/4	346	532 12 64-71	Clip Insulator 13/32
189	817 00 05-12	Screw 5/16-18 x 3/4			
191	532 43 74-55	Insert Reflective RH			
194	873 90 05-00	Nut Lock Hex Flange 5/16-18			
195	532 40 41-37	Plug Hole Dash Lower			
199	532 41 34-85	Plate Deck Lift			
202	532 43 97-28	Vent Side Hood RH			

NOTE: All component dimensions given in U.S. inches
1 inch = 25.4 mm

TRACTOR - MODEL NO. YTH23K48 (96045003500), PRODUCT NO. 960 45 00-35 DRIVE



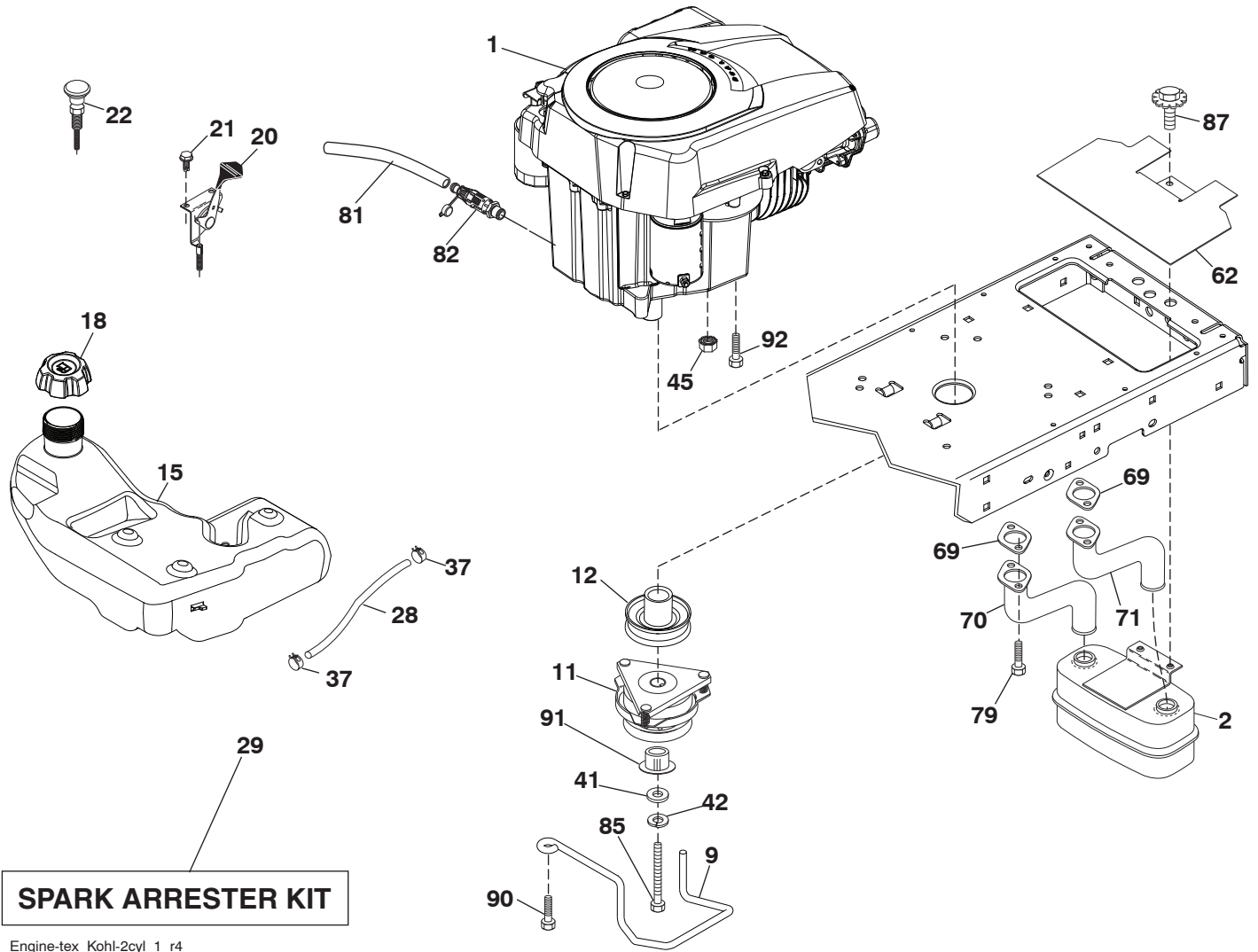
drive-tex_K57R_pedal_2

**TRACTOR - MODEL NO. YTH23K48 (96045003500), PRODUCT NO. 960 45 00-35
DRIVE**

KEY NO.	PART NO.	DESCRIPTION	KEY NO.	PART NO.	DESCRIPTION
1	-----	Transaxle, TUFFTORQ K57R (437814)(Order parts from transaxle manufacturer)	170	532 19 43-22	Keeper Belt Centerspan
2	532 12 35-83	Key	171	872 11 06-16	Bolt RDHD SQNK 3/8-16 unc x 2
15	819 13 13-16	Washer 13/32 x 13/16 x 16 Ga.	183	532 13 70-57	Spacer Split
17	532 41 36-78	Spring, Brake	184	532 44 14-55	Handle Parking Brake
26	532 19 96-79	Spring Return Cruise	185	872 11 06-22	Bolt Rdhd Sqnk 3/8-16 x 2-3/4 Gr. 5
27	817 49 05-28	Screw Hexwsh Thd. 5/16-18 x 1-3/4	186	532 19 43-21	Spacer Retainer
29	532 40 38-06	Rod, Brake	187	819 13 32-10	Washer
33	812 00 00-01	Ring E	188	532 19 43-23	Link Clutch Ground Drive
35	532 43 54-86	Rod, Brake, Park	189	532 19 43-17	Bellcrank Ground Drive
42	532 12 48-72	Cover, Foot Pedal	190	532 19 43-18	Keeper Bellcrank Ground Drive
49	872 11 06-14	Bolt	196	817 00 06-16	Screw 3/8-16 x 1
50	532 19 43-27	Pulley Idler Flat	197	532 19 58-04	Bracket Clutch Anti-Rotation
51	873 90 06-00	Lock Nut 3/8-16	205	532 12 17-48	Washer
52	532 19 43-26	Idler V-Groove 910" Offset	206	532 19 78-67	Bracket Mount Latch Cruise
56	532 13 09-69	V-Belt, Drive	207	532 19 78-68	Latch Control Cruise
64	532 19 78-65	Shaft Asm. Pedal Brake Control	208	532 19 78-69	Gear Sector Control Cruise
73	874 49 05-40	Bolt Hex Flghd 5/16-18 x 2 1/2 G5	209	532 19 95-92	Rod Control Cruise
80	532 44 06-19	Strap Torque	210	532 40 09-80	Rocker Asm. Pedal Control
92	874 76 05-20	Bolt Fin Hex 5/16-18 unc x 1.25	211	532 12 01-83	Bearing Nylon
99	532 41 57-42	Rod Asm. Bypass	213	532 40 31-19	Knob Control Cruise
121	532 43 76-84	Bracket Torque	214	532 42 12-63	Pedal Forward Pad
116	873 90 05-00	Nut Lock Hex Flange 5/16-18	215	532 40 17-23	Pedal Reverse
125	817 00 05-12	Screw 5/16-18 x 3/4	216	532 19 61-31	Bracket Pulley Idler
143	817 49 05-08	Screw 5/16-18 x 1/2	221	532 40 31-87	Retainer Spring Clip Handle
153	532 12 47-88	Retainer Spring	222	879 21 20-10	Washer 21/32 x 1-1/4 x 10 Ga.
159	876 02 04-12	Pin Cotter 1/8 x 3/4	225	532 40 33-19	Keeper Belt Trans.
160	532 16 94-84	Retainer Clip	226	532 40 15-64	Bracket Mount Torque
161	532 10 57-09	Spring, Return, Clutch	227	817 49 05-12	Screw Thdrol 5/16-18 x 3/4
163	532 40 10-34	Rod Pedal Control	230	532 18 89-67	Washer Hardened
166	532 42 91-64	Nut Push			
167	532 40 52-57	Latch Brake Parking			

NOTE: All component dimensions given in U.S. inches
1 inch = 25.4 mm

**TRACTOR - MODEL NO. YTH23K48 (96045003500), PRODUCT NO. 960 45 00-35
ENGINE**



Engine-tex_Kohl-2cyl_1_r4

**TRACTOR - MODEL NO. YTH23K48 (96045003500), PRODUCT NO. 960 45 00-35
ENGINE**

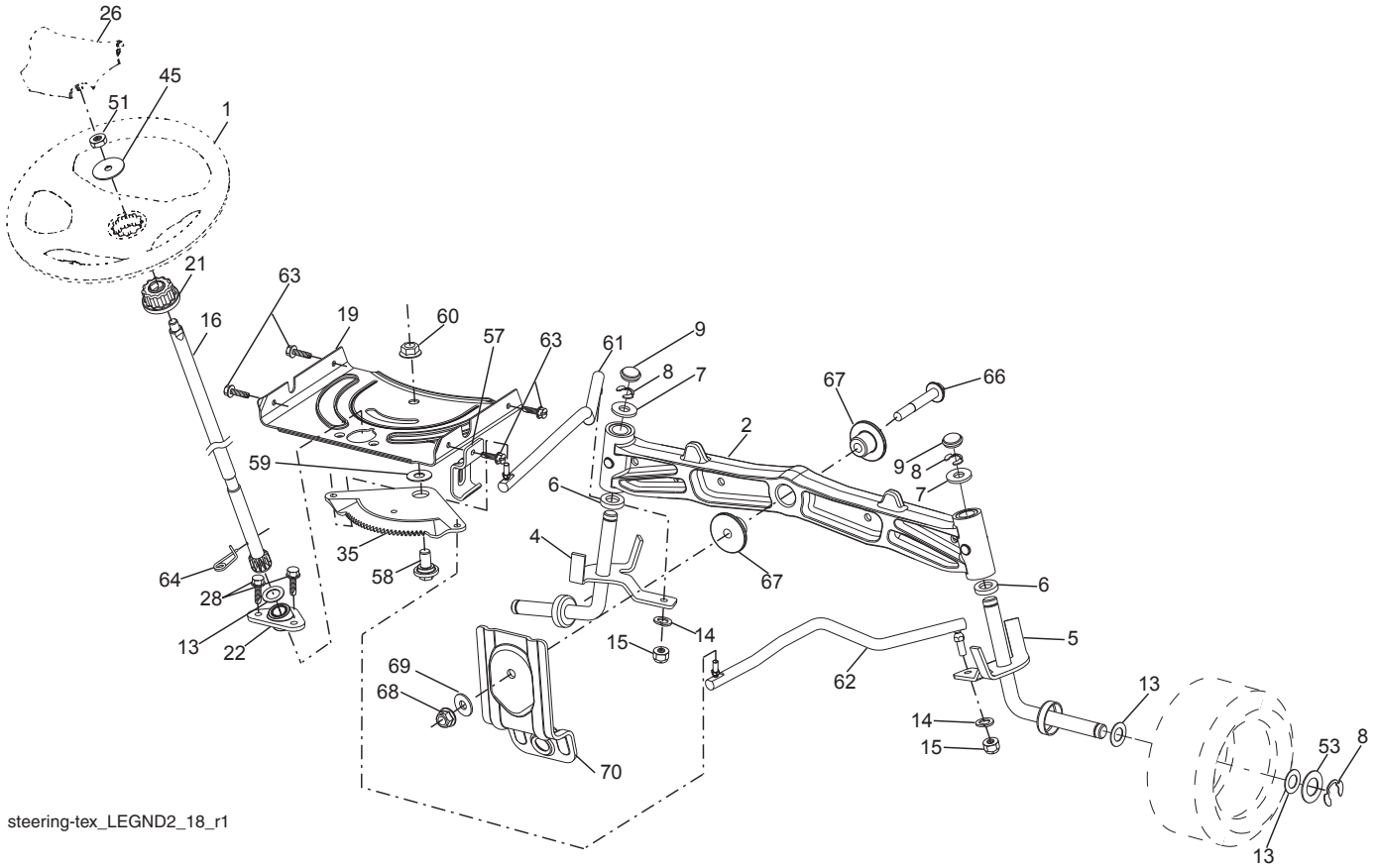
KEY NO.	PART NO.	DESCRIPTION
1	-----	Engine Kohler Model No. SV720-3047 (445329) (Order parts from engine manufacturer)
2	532 14 97-23	Muffler
9	532 19 43-20	Keeper Belt Engine
11	532 40 00-08	Clutch Electric
12	532 40 50-97	Pulley Engine
15	532 43 80-80	Tank Fuel
18	532 43 92-08	Cap Fuel
20	532 18 29-37	Control Throttle
21	532 41 63-58	Screw #10 x 0.750 BOS Thread
22	532 19 15-96	Control Choke
28	532 40 11-35	Fuel Line
29	532 13 71-80	Spark Arrester Kit
37	532 12 34-87	Clamp Hose
41	532 12 61-97	Washer 1-1/2 OD x 15/32 ID x .250
42	810 04 07-00	Washer Lock 7/16
45	873 51 04-00	Nut Keps Hex 1/4-20 unc
62	532 43 40-17	Shield Heat Muffler
69	532 18 60-54	Gasket
70	532 14 66-99	Tube Exhaust LH
71	532 14 67-00	Tube Exhaust RH
79	532 19 23-34	Screw Socket Head 5/16-18 x .75
81	532 14 84-56	Tube Drain Oil Easy
82	532 42 82-87	Valve Oil Drain
85	532 17 39-37	Bolt Hex 7/16-20 x 4 Gr. 5
87	532 17 18-77	Bolt 5/16-18 unc x 1 w/Sems
90	817 00 06-16	Screw 3/8-16 x 1
91	532 18 74-95	Bushing
92	817 12 06-16	Screw 3/8-16 x 1

NOTE: All component dimensions given in U.S. inches
1 inch = 25.4 mm

For engine service and replacement parts, call the toll free number for your engine manufacturer listed below:

Kohler Co. 1-800-544-2444

TRACTOR - MODEL NO. YTH23K48 (96045003500), PRODUCT NO. 960 45 00-35
STEERING ASSEMBLY



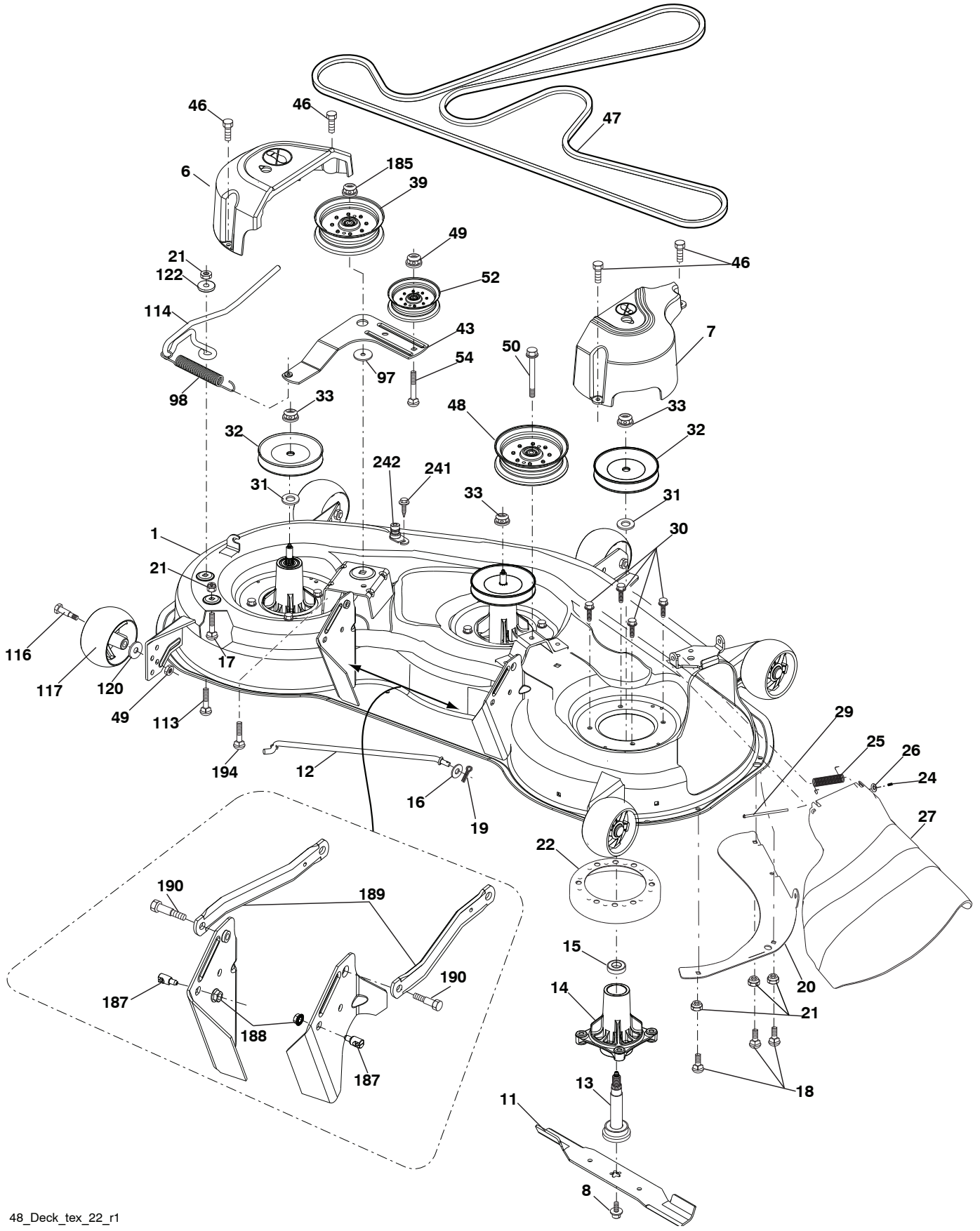
steering-tex_LEGND2_18_r1

**TRACTOR - MODEL NO. YTH23K48 (96045003500), PRODUCT NO. 960 45 00-35
STEERING ASSEMBLY**

KEY NO.	PART NO.	DESCRIPTION
1	532 43 97-40	Wheel, Steering
2	532 19 59-68	Axle Asm., Front
4	532 40 30-87	Spindle Asm., LH
5	532 40 30-88	Spindle Asm., RH
6	532 12 49-31	Bearing, Race Thrust Harden
7	532 12 17-48	Washer 25/32 x 1-5/8 x 16 Ga.
8	812 00 00-29	Ring, Clip #T5304-75
9	532 12 12-32	Cap, Spindle
13	532 12 17-49	Washer 25/32 x 1-1/4 x 16 Ga.
14	810 04 06-00	Washer, Lock Hvy Hlcl Spr 3/8
15	873 54 06-00	Nut, Crown Lock 3/8-24 unf
16	532 40 82-19	Shaft Steering
19	532 19 47-29	Plate Steering
21	532 18 67-37	Adapter, Wheel Steering
22	532 42 05-37	Steering, Support Lower
26	532 43 97-43	Insert, Wheel Steering
28	817 00 06-12	Screw 3/8-16 x 3/4
35	532 19 47-32	Gear, Sector Plate
45	819 18 38-12	Washer 9/16 x 2-3/8 x 12 Ga.
51	873 94 08-00	Nut Hex Jam Toplock 1/2-20 unf
53	532 18 89-67	WasherHardened.793x1.637x.060
57	532 19 72-46	Bracket Upstop
58	532 19 47-47	Bolt Shoulder Sector Pivot CFM
59	532 19 47-48	Washer Thrust Sector Steering
60	873 97 10-00	Nut Flange Lock 5/8-11
61	532 19 47-40	Draglink, LH
62	532 19 47-41	Draglink, RH
63	817 00 05-12	Screw 5/16-18 x 3/4
64	532 19 98-49	Retainer Clip Spring Steering
66	871 02 07-48	Bolt Hex Fghd 7/16-14 x 3 Serr
67	532 19 47-37	Bushing PM Front Axle
68	873 90 07-00	Nut Lock Flange 7/16-14 Gr. 5
69	532 19 91-62	Washer 1.5 x .505 x .118
70	532 19 61-97	Bracket Deck Susp. Front

NOTE: All component dimensions given in U.S. inches
1 inch = 25.4 mm

**TRACTOR - MODEL NO. YTH23K48 (96045003500), PRODUCT NO. 960 45 00-35
MOWER DECK**



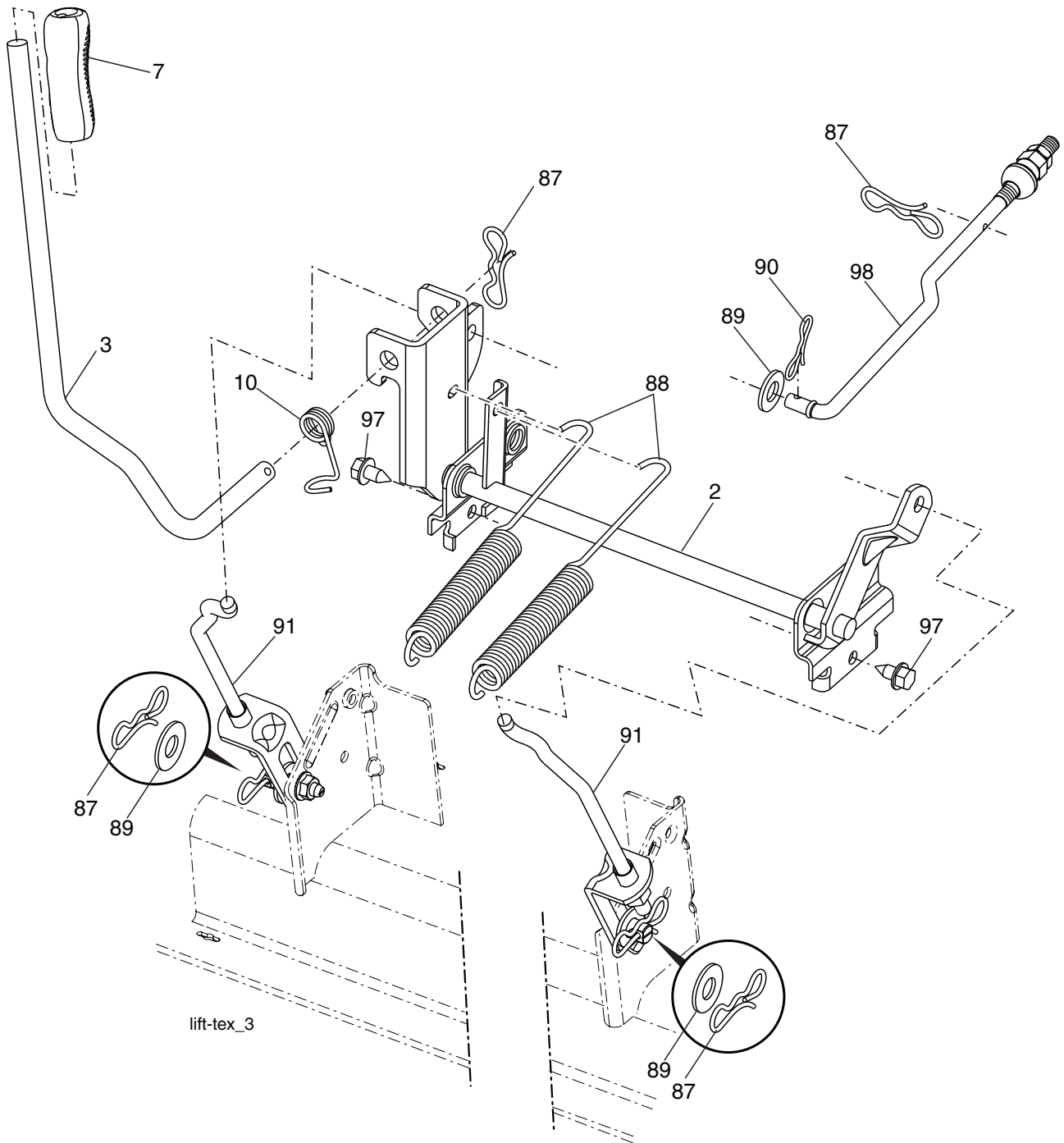
48_Deck_tex_22_r1

**TRACTOR - MODEL NO. YTH23K48 (96045003500), PRODUCT NO. 960 45 00-35
MOWER DECK**

KEY NO.	PART NO.	DESCRIPTION	KEY NO.	PART NO.	DESCRIPTION
1	532 44 12-93	Deck Weldment Mower	49	873 90 06-00	Nut, Lock Flg. 3/8-16 unc
6	532 19 72-48	Cover Mandrel LH	50	817 49 06-36	Screw TT 3/8-16 x 2-1/4
7	532 19 91-02	Cover Mandrel RH	52	532 19 31-97	Pulley Idler 48" Primary
8	532 19 30-03	Bolt 7/16 Asm. Blade	54	872 11 06-12	Bolt Carr. Sh 3/8-16 x 1-1/2 Gr. 5
11	532 18 00-54	Blade High Lift	97	532 17 85-15	Washer Hardened
12	532 40 48-51	Rod Anti-Sway	98	532 19 61-05	Spring Drive
13	532 18 72-91	Shaft Asm. w/Lower Bearing	113	872 11 05-08	Bolt Rdhd Sqnk 5/16-18 x 3/4
14	532 18 72-81	Housing, Mandrel	114	532 19 74-51	Rod Tension Relief
15	532 11 04-85	Bearing, Ball, Mandrel	116	532 19 34-06	Bolt, Shoulder
16	819 13 13-12	Washer 13/32 x 13/16 x 12 Ga.	117	532 17 48-73	Gauge Wheel
17	872 11 05-05	Bolt 5/16-18 x 5/8	120	819 13 20-12	Washer 13/32 x 1-1/4 x 12 Ga.
18	872 14 05-05	Bolt RdHd 5/16-18 unc x 5/8	122	532 18 75-57	Bushing Tension Relief
19	532 19 42-08	Pin Cotter 5/16 Bow Tie Lock	185	873 90 07-00	Nut Lock Flange 7/16-14 Gr. 5
20	532 17 43-78	Baffle Vortex	187	532 19 51-61	Stud Fastener w/"D" Anti-Rotation
21	873 68 05-00	Nut, Crownlock 5/16-18 unc	188	873 90 05-00	Nut Lock Hex Flange
22	532 17 44-93	Stripper Mandrel	189	532 19 51-85	Arm Susp. Mower Rear
24	532 10 53-04	Cap Sleeve	190	532 19 65-39	Bolt Shoulder
25	532 17 81-02	Spring, Torsion	194	874 49 07-36	Bolt 7/16 - 24
26	532 11 04-52	Nut, Push	241	532 15 29-27	Screw TT #10-32.5 3/8 Flange
27	532 18 17-07	Deflector Shield	242	532 41 55-98	Port, Washout
29	532 13 14-91	Rod, Hinge	--	532 18 72-92	Mandrel Assembly (Includes housing, shaft assembly, and bearing only - pulley/nut/washer and blade bolt/washers not included)
30	532 17 39-84	Screw, Thdroll Washer Head	--	532 41 82-23	Replacement Mower, Complete
31	532 18 76-90	Washer, Spacer Mower Vented	--	532 41 64-05	Coupling Quick Connect
32	532 15 35-32	Pulley, Mandrel			
33	532 40 02-34	Nut, Flg. Top Lock			
39	532 19 73-80	Pulley, Idler, 4.50 Hub			
43	532 19 60-65	Arm, Idler			
46	532 13 77-29	Screw, Thdroll. 1/4-20 x 5/8			
47	532 19 72-42	Belt Deck Drive			
48	532 19 73-79	Pulley Idler 4.50 RAW			

NOTE: All component dimensions given in U.S. inches
1 inch = 25.4 mm

**TRACTOR - MODEL NO. YTH23K48 (96045003500), PRODUCT NO. 960 45 00-35
MOWER LIFT**

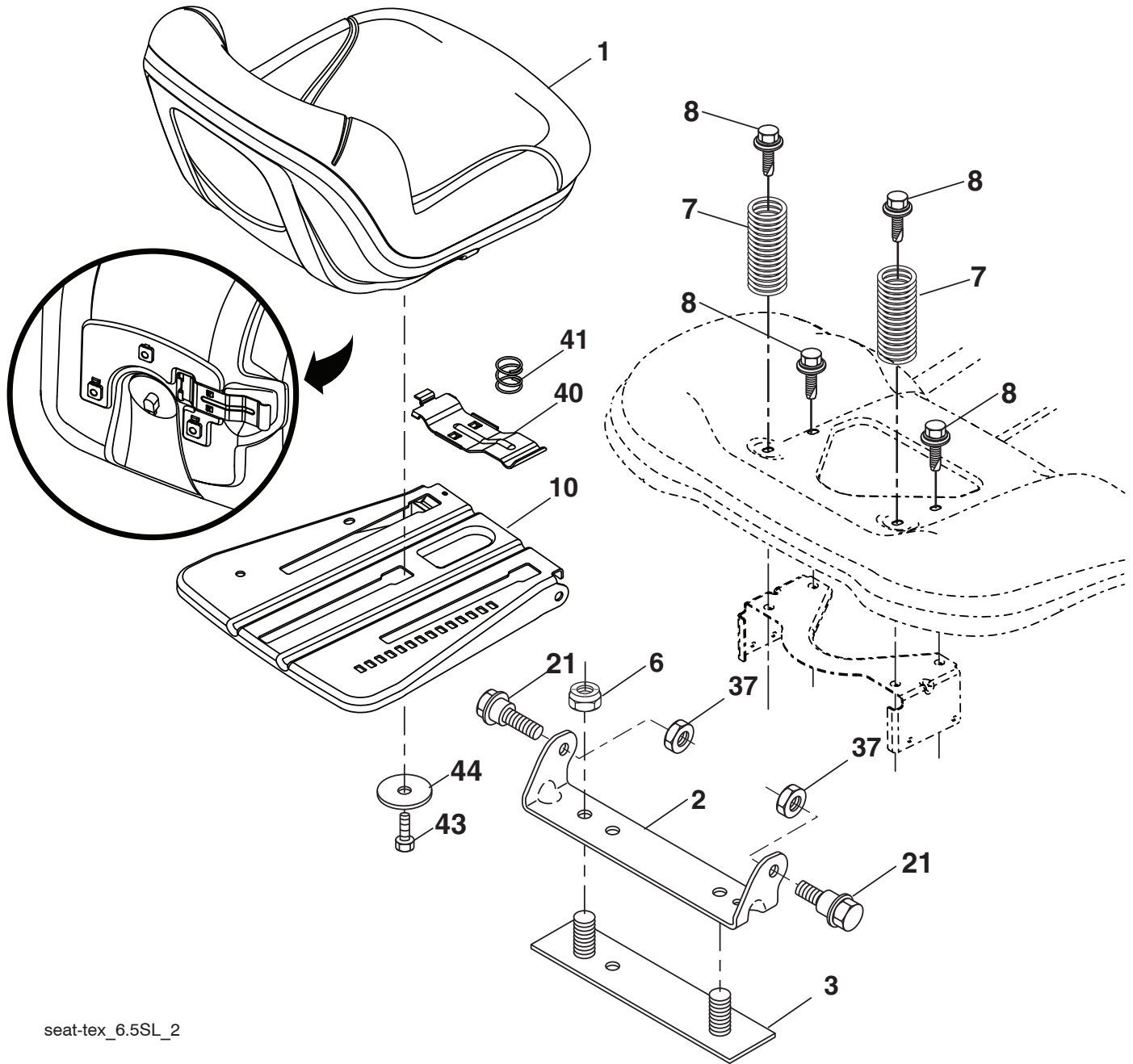


KEY NO.	PART NO.	DESCRIPTION
2	532 42 20-27	Shaft Asm. Cross, Lift
3	532 19 52-31	Lever Asm., Lift
7	532 41 15-55	Grip, Lever
10	532 19 63-14	Spring Torsion
87	532 19 42-09	Pin Cotter 7/16 Bow Tie Lock
88	532 41 07-10	Spring Lift Assist
89	819 19 19-12	Washer Clear Zinc

KEY NO.	PART NO.	DESCRIPTION
90	532 19 42-08	Pin Cotter 5/16 Bow Tie Lock
91	532 19 51-81	Link Lift Susp Mower Rear
97	817 00 06-12	Screw 3/8-16 x .75
98	532 19 52-64	Link Lift Susp. Front Mower

NOTE: All component dimensions given in U.S. inches
1 inch = 25.4 mm

**TRACTOR - MODEL NO. YTH23K48 (96045003500), PRODUCT NO. 960 45 00-35
SEAT ASSEMBLY**



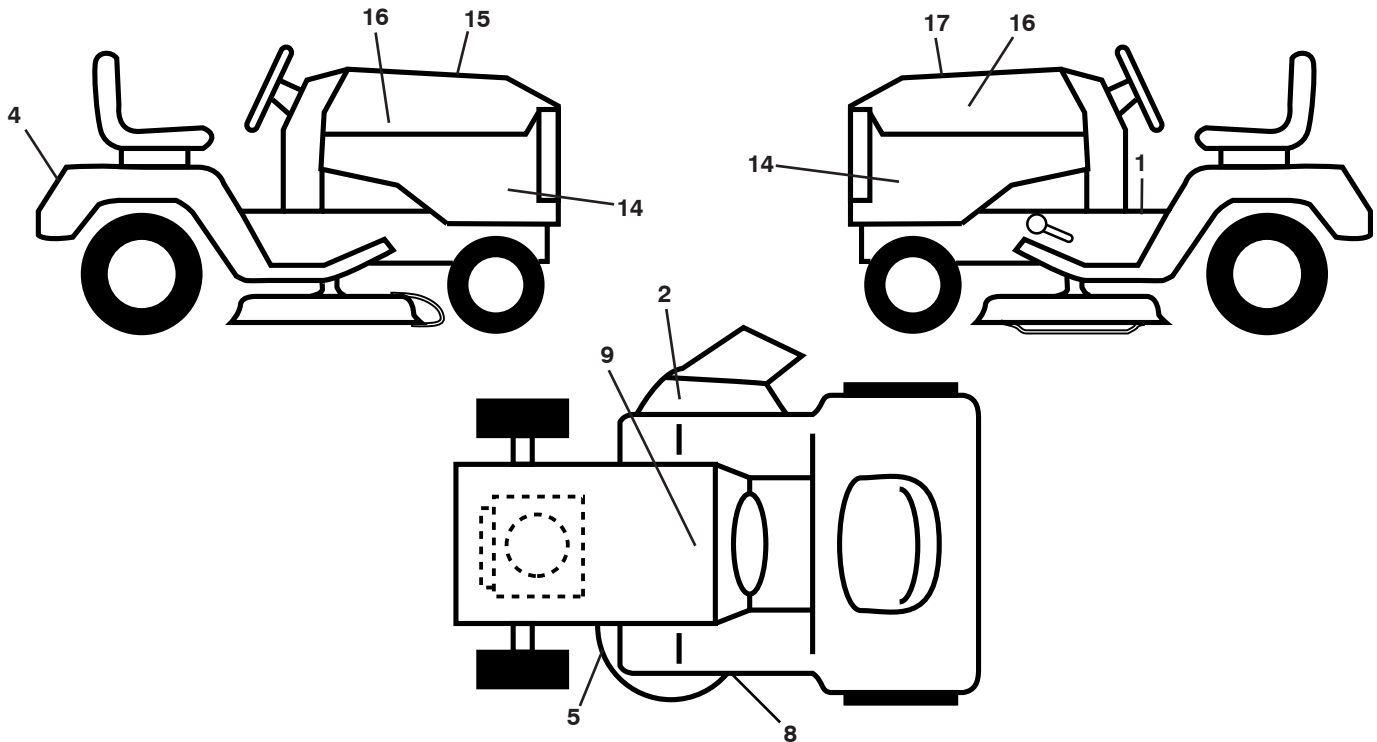
seat-tex_6.5SL_2

KEY NO.	PART NO.	DESCRIPTION
1	532 44 32-63	Seat
2	532 18 01-66	Bracket Pivot Fender
3	532 14 06-75	Strap, Asm Fender
6	873 80 06-00	Nut, Lock w/Ins. 3/8-16 unc
7	532 12 41-81	Spring, Seat Cprsn
8	532 17 18-77	Bolt 5/16-18 unc x 3/4 w/Sems
10	532 19 69-77	Pan, Seat
21	532 17 18-52	Bolt, Shoulder 5/16-18

KEY NO.	PART NO.	DESCRIPTION
37	873 80 05-00	Nut, Lock 5/16-18 unc
40	532 19 76-61	Handle Slide Seat
41	532 19 82-00	Spring Latch Seat
43	874 76 06-12	Bolt 3/8-16 x 3/4
44	819 13 38-12	Washer 13/32 x 2-3/8 x 12 Ga.

NOTE: All component dimensions given in U.S. inches
1 inch = 25.4 mm

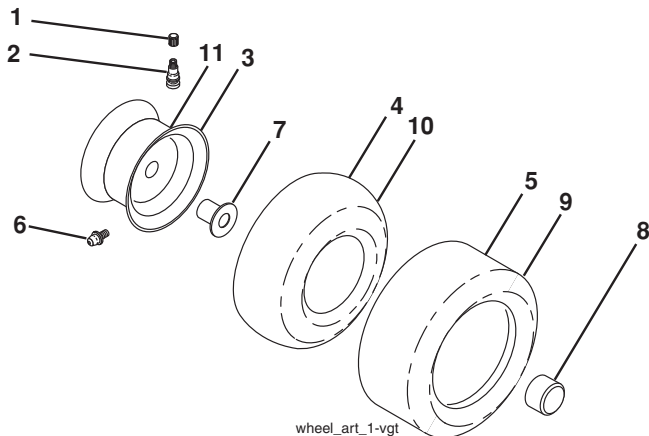
**TRACTOR - MODEL NO. YTH23K48 (96045003500), PRODUCT NO. 960 45 00-35
DECALS**



KEY NO.	PART NO.	DESCRIPTION
1	532 41 91-38	Decal, Operator's
2	532 17 05-63	Decal, Mower Keep Hand Away
4	532 19 15-54	Decal, Fender
5	532 17 84-55	Decal, Caution
8	532 19 87-85	Decal, Mower Sch.
9	532 14 50-05	Decal, Battery Dnge/Poi
14	532 44 54-98	Decal, Panel Side
15	532 42 38-29	Decal, Cust. Resp.

KEY NO.	PART NO.	DESCRIPTION
16	532 42 91-96	Decal, Hood Logo
17	532 44 54-67	Decal, Replacement
--	532 16 69-60	Decal, Bypass
--	532 43 96-81	Pad, Footrest, LH
--	532 43 96-82	Pad, Footrest, RH
--	532 44 54-72	Manual, Operator's (Eng/Span)
--	532 44 54-73	Manual, Parts (Eng/Span)

WHEELS AND TIRES



KEY NO.	PART NO.	DESCRIPTION
1	532 05 91-92	Cap, Valve, Tire
2	532 06 51-39	Stem, Valve
3	532 13 83-36	Rim Assembly, Front
4	532 05 99-04	Tube, Front (Service Item Only)
5	532 10 62-22	Tire, Front
6	532 12 49-57	Fitting, Grease (Front Wheel Only)
7	532 12 49-59	Bearing, Flange (Front Wheel Only)
8	532 17 50-39	Cap, Axle
9	532 13 84-68	Tire, Rear
10	532 12 49-26	Tube, Rear (Service Item Only)
11	532 13 83-37	Rim Assembly, Rear
--	532 14 43-34	Sealant, Tire (10 oz. Tube)

NOTE: All component dimensions given in U.S. inches
1 inch = 25.4 mm



Consumer Wheeled Products – Limited Warranty

Husqvarna warrants to the original retail purchaser that this Husqvarna® product is **free from defects in material or workmanship** under normal use and maintenance from the date of retail purchase for the applicable Warranty Period shown on Exhibit A. Certain components (e.g., engines and transmissions) are excluded from coverage, and other limitations apply, as described in this document. Husqvarna will repair or replace at its discretion, any defective product or part covered by the Limited Warranty, free of charge at any authorized Husqvarna Servicing Dealer/Center using original OEM Husqvarna replacement parts, subject to the limitations and exclusions described below. Husqvarna does not offer an over-the-counter exchange program.

THIS LIMITED WARRANTY IS THE SOLE EXPRESS WARRANTY PROVIDED BY HUSQVARNA. ANY WARRANTY THAT MAY BE IMPLIED BY LAW (INCLUDING ANY IMPLIED WARRANTY OF FITNESS FOR A PARTICULAR PURPOSE OR USE AND IMPLIED WARRANTY OF MERCHANTABILITY) IS LIMITED TO THE DURATION OF THE APPLICABLE WARRANTY PERIOD UNDER THIS LIMITED WARRANTY. THIS LIMITED WARRANTY MAY BE MODIFIED ONLY BY HUSQVARNA. SOME STATES DO NOT ALLOW LIMITATIONS ON HOW LONG AN IMPLIED WARRANTY LASTS, SO THE ABOVE LIMITATIONS MAY NOT APPLY TO YOU. THIS LIMITED WARRANTY GIVES YOU SPECIFIC LEGAL RIGHTS, AND YOU MAY ALSO HAVE OTHER RIGHTS WHICH VARY FROM STATE TO STATE. THIS WARRANTY IS GIVEN **ONLY** BY HUSQVARNA. THE ABOVE REMEDIES ARE THE EXCLUSIVE REMEDIES FOR ANY BREACH OF THIS LIMITED WARRANTY. HUSQVARNA AND ITS AFFILIATED COMPANIES SHALL NOT BE LIABLE FOR ANY SPECIAL, INCIDENTAL OR CONSEQUENTIAL DAMAGE, INCLUDING LOST PROFITS RESULTING FROM ANY SUCH BREACH, AND ALL SUCH DAMAGES ARE HEREBY DISCLAIMED. SOME STATES DO NOT ALLOW THE EXCLUSION OR LIMITATION OF INCIDENTAL OR CONSEQUENTIAL DAMAGES, SO THE ABOVE LIMITATIONS MAY NOT APPLY TO YOU.

LIMITATIONS AND EXCLUSIONS

1. **Engines, Transmissions and certain other components are NOT covered.** This Limited Warranty does not cover any of the following:

(a) *Engines and Attachments.* Except where otherwise indicated on Exhibit A, all Engines and Attachments are not covered by this warranty. In most cases, these items are NOT manufactured by Husqvarna in which case they may be covered separately by their respective manufacturer's warranties if one is provided and included with the product at the time of purchase. All such claims must be submitted and sent to the appropriate manufacturer or as otherwise directed in those separate warranties. Husqvarna is not authorized to handle warranty adjustments or repairs on engines manufactured by Briggs & Stratton, Honda, Kawasaki, or Kohler (exception – models equipped with LCT engines). Husqvarna does not assume any warranty obligation of the other manufacturer's engines.

(b) *Transmissions.* Except where otherwise indicated on Exhibit A, Transmission / Transaxle (including Drive Systems) are not covered by this warranty. In most cases, these items are NOT manufactured by Husqvarna in which case they may be covered separately by their respective manufacturer's warranties if one is provided and included with the product at the time of purchase. The following transmission / transaxle manufacturers, Dana, Hydro-Gear, Tuff-Torq provide a warranty for the transmission / transaxle to the ultimate purchaser or to Husqvarna. Husqvarna will assign the transmission / transaxle manufacturer's warranty or any rights thereof to the original purchaser of the unit. To obtain transmission / transaxle warranty service, first contact the retailer who you purchased the unit from. Should you require assistance or have any questions concerning transmission / transaxle warranty coverage, contact Husqvarna directly at our website www.husqvarna.com or call 800-487-5951 for an authorized Husqvarna service provider. All such claims must be submitted and sent to the appropriate manufacturer or as otherwise directed in those separate warranties. Husqvarna is not authorized to handle warranty adjustments or repairs on transmissions or transaxles. Husqvarna does not assume any warranty obligation of the above listed manufacturers (for exceptions – see Exhibit A).

(c) *Expendable Parts.* This Limited Warranty does not cover general maintenance parts and items ("Expendable Parts"), including without limitation spark plugs, bulbs, filters, lubricants, starter cords, belts, blades, and blade adapters.

(d) *Emissions Control Components.* This Limited Warranty does not cover Emissions control equipment and components to the extent regulated by the U.S. Environmental Protection Agency or similar state agencies. Such equipment and components are covered by a separate emission control warranty statement supplied with your new product. Please consult this separate warranty statement for details.

2. **Any COMMERCIAL, INSTITUTIONAL, AGRICULTURAL, INDUSTRIAL, INCOME PRODUCING, or RENTAL use will result in either No Warranty or a Shortened Warranty Period** Depending on the product; there is either NO WARRANTY or a reduced warranty if the product is used for commercial, institutional, agricultural, industrial, income producing, or rental purposes. Please refer to Exhibit A.

3. **Owner's (Your) Responsibilities.** To preserve your rights under this Limited Warranty, you must demonstrate reasonable care and use of the product, including, following the preventative maintenance, storage, fuel and oil usages as prescribed in the enclosed operator's manual. For example, the following items are the Owner's responsibility and are **not** covered by this Limited Warranty:

- a. Set-up and pre-delivery service, and engine tune-ups.
- b. Adjustments after the first (30) thirty days of purchase and beyond, such as throttle cable, belt guides adjustments.

c. Preventative maintenance as outlined in the operator's manual.

In addition, you must cease using the product immediately upon any failure or damage. The product should be taken to an authorized Husqvarna servicing dealer prior to any further use.

4. Damages resulting from normal aging, wear and tear or neglect are NOT covered. The Limited Warranty does not cover damage other than that resulting from defects in material or workmanship. The following are NOT considered defects in material or workmanship, and therefore are NOT covered.

- (a) Abrasion to mower decks;
- (b) Tires damaged by external punctures;
- (c) Natural discoloration of materials due to ultraviolet light;
- (d) Damage to cutting equipment by way of contact with, rocks, or other non-approved materials and/or structures;

In addition, this Limited Warranty does not cover damages, malfunctions or failures resulting from abuse or neglect of the product related to or including any of the following:

- (e) Failure to provide or perform required maintenance services as prescribed in the operator's manual;
- (f) Abuse, misuse, neglect, modifications, alterations, normal wear, improper servicing, use of unauthorized attachments, Lack of lubrication or engine failure, due to the use of oils that do not meet Engine manufacturer's specifications;
- (g) Use of gasohol, containing methanol (wood alcohol). Gasohol which contains a maximum 10% ethanol (grain alcohol) or 15% MTBE (methyl/tertiary/butyl/ether) is approved;
- (h) Use of ether or any starting fluids;
- (i) Pressure cleaning or steam cleaning the product;
- (j) Use of spark plugs other than those meeting emission performance requirements listed in the operator's manual;
- (k) Tampering with engine speed governor or emission components, or running engines above specified and recommended engine speeds as listed in your operator's manual;
- (l) Operation of the unit with improperly installed/removed or modified cutting shields, guards, or safety devices;
- (m) Any removed/damaged air filter, excessive dirt, abrasives, salt water, moisture, corrosion, rust, varnish, stale fuel, or any adverse reaction due to incorrect storage procedures;
- (n) Failures due to improper set up, pre-delivery service or repair service by anyone other than an authorized Husqvarna servicing dealer during the warranty period;
- (o) Dirt contaminated grease or oil, use of incorrect type of greases or oils, failure to comply with recommended greasing intervals, water or moisture damage, and/or improper storage;
- (p) Sprayers pumping or spraying caustic or flammable materials, lack of or broken strainers; or
- (q) Continued use of product, after initial operational problem or failure occurs.

HOW TO OBTAIN SERVICE

5. Authorized Husqvarna Servicing Dealer/Center. In order to obtain warranty coverage it is your responsibility (at your expense) to deliver or ship your Husqvarna unit to an authorized Husqvarna Servicing Dealer/Center and arrange for pick-up or return of your unit after the repairs have been made. If you do not know the location of your nearest authorized Husqvarna Servicing Dealer, call Husqvarna, at 1-800-487-5951 during the hours of 8:00 AM to 8:00 PM Eastern Standard Time, or visit www.husqvarna.com. Should you require assistance or have questions concerning this Limited Warranty, you may contact us at 800-487-5951 during the hours of 8:00 AM to 8:00 PM Eastern Standard Time or contact us through the web at www.husqvarna.com.

6. Documentation Required. You must maintain and present Proof of purchase (including date, product model and, if applicable, engine serial number) to an authorized Husqvarna Servicing Dealer for warranty service under this Limited Warranty. Proof of purchase rests solely with the owner-customer. Husqvarna encourages you to register your product online at www.usa.husqvarna.com to help ensure, among other things, that you can be notified of important product information. However, registering your product is not a condition of warranty service.

Husqvarna Consumer Outdoor Products N.A., Inc.; Husqvarna Professional Products, Inc.

9335 Harris Corners Parkway Charlotte, NC 28269

575 49 43-01 R3 2010

Consumer Wheeled Warranty Chart 2010

Exhibit A

Product/Component	<i>Consumer</i> (personal, household use only)	<i>Commercial</i> (any commercial, professional, institutional, agricultural, or income producing use, other than Rental Use)	<i>Rental</i> (any rental usage)
<i>Riding Lawn Tractors:</i>			
Frame, Chassis, Front Axle	5 Years	NO WARRANTY	NO WARRANTY
Engine*	*	*	*
Transmission (if made by Husqvarna/Peerless)	3 Years	NO WARRANTY	NO WARRANTY
Transmission (if third party)**	**	**	**
Battery	1 Year Pro-rated	NO WARRANTY	NO WARRANTY
Other Non-Expendable Components	3 Years	NO WARRANTY	NO WARRANTY
<i>Residential Zero Turn Mowers (RZ Only)</i>			
Engine*	*	*	*
Transmission **	**	NO WARRANTY	NO WARRANTY
Battery	1 Year Pro-rated	NO WARRANTY	NO WARRANTY
Other Non-Expendable Components	3 Years	NO WARRANTY	NO WARRANTY
<i>Residential Zero Turn Mowers (MZ & EZ)</i>			
Engine*	*	*	*
Transmission **	**	**	**
Battery	1 Year Pro-rated	1 Year Pro-rated	NO WARRANTY
Other Non-Expendable Components	3 Years	1 Year	NO WARRANTY
<i>LE475 Edger</i>			
Engine*	*	*	*
Other Non-Expendable Components	2 Years	90 days	90 days
<i>Walk Behind Mowers</i>			
Engine*	*	*	*
Battery	1 Year Pro-rated	NO WARRANTY	NO WARRANTY
Other Non-Expendable Components	2 Years	NO WARRANTY	NO WARRANTY
<i>Snow Throwers</i>			
Engine*	*	*	*
Other Non-Expendable Components	2 Years	90 days	90 days
<i>Tillers</i>			
Engine*	*	*	*
Battery	1 Year Pro-rated	NO WARRANTY	NO WARRANTY
Other Non-Expendable Components	2 Years	NO WARRANTY	NO WARRANTY
Tiller Tines	***	NO WARRANTY	NO WARRANTY
<i>Hovering Trimmers</i>			
Engine*	*	*	*
Other Non-Expendable Components	2 Years	1 Year	90 days
	Consumer	Commercial	Rental

* See Separate Engine Manufacturer's or Manufacturer's warranty

LCT Engines on specific Snow Throwers & Tillers, warranty through Husqvarna.

** See reference 1 (b) of the warranty statement.

RZ - Two (2) Year Consumer warranty, parts & labor, with Hydro-Gear Distributor network.

EZ - One (1) Year Commercial warranty, parts & labor, with Husqvarna.

Two (2) Year Consumer warranty, parts & labor, with Hydro-Gear Distributor network.

MZ - Two (2) Year Commercial warranty, parts & labor, with Hydro-Gear Distributor network.

*** "Limited Lifetime Warranty" on Tiller tines is for the life of the product or 7 (seven) years after the last date of the complete unit's final production, whichever comes first.

Consumer Wheeled Warranty Chart 2010

Exhibit A

Product/Component	Consumer (personal, household use only)	Commercial (any commercial, professional, institutional, agricultural, or income producing use, other than Rental Use)	Rental (any rental usage)
Front Mounted Deck Riders			
Engine*	*	*	*
Transmission	2 Years	NO WARRANTY	NO WARRANTY
Battery	1 Year Pro-rated	NO WARRANTY	NO WARRANTY
Other Non-Expendable Components	2 Years	NO WARRANTY	NO WARRANTY
Cultivators			
Battery	1 Year Pro-rated	NO WARRANTY	NO WARRANTY
Other Non-Expendable Components	2 Years	NO WARRANTY	NO WARRANTY
Pressure Washers			
Model 5525PW:			
Engine*	*	*	*
Pump	2 Years	NO WARRANTY	NO WARRANTY
Other Non-Expendable Components	2 Years	NO WARRANTY	NO WARRANTY
All other Pressure Washers (6027PW, 9032PW, 1340PW)			
Engine*	*	*	*
Pump	2 Years	2 Years	NO WARRANTY
Other Non-Expendable Components	2 Years	2 Years	NO WARRANTY
Generators			
Engine*	*	*	*
Other Non-Expendable Components*	*2 Years (2nd Year Parts Only)	*2 Years-1365GN (2nd Year Parts Only)	NO WARRANTY
Spreaders			
Spreader	1 Year	1 Year	1 Year
Robotic Mowers			
Robotic Mower	2 Years	90 days	90 days
Battery	1 Year	1 Year	1 Year
Parts & Accessories (if purchased)			
Accessories (e.g., grass catcher, bumper guard accessories, etc.)	1 Year	NO WARRANTY	NO WARRANTY
Parts (e.g., belts, blades, etc.)	30 days	NO WARRANTY	NO WARRANTY
Parts & Accessories (if replaced in Warranty Service)			
Replacement parts and/or accessories provided under this Limited Warranty are warranted only for the BALANCE of the warranty period applicable to the part or accessory that was replaced.	See to left	See to left	See to left
	Consumer	Commercial	Rental

* See Separate Engine Manufacturer's or Manufacturer's warranty

LCT Engines on specific Snow Throwers & Tillers, warranty through Husqvarna.

** See reference 1 (b) of the warranty statement.

RZ - Two (2) Year Consumer warranty, parts & labor, with Hydro-Gear Distributor network.

EZ - One (1) Year Commercial warranty, parts & labor, with Husqvarna.

Two (2) Year Consumer warranty, parts & labor, with Hydro-Gear Distributor network.

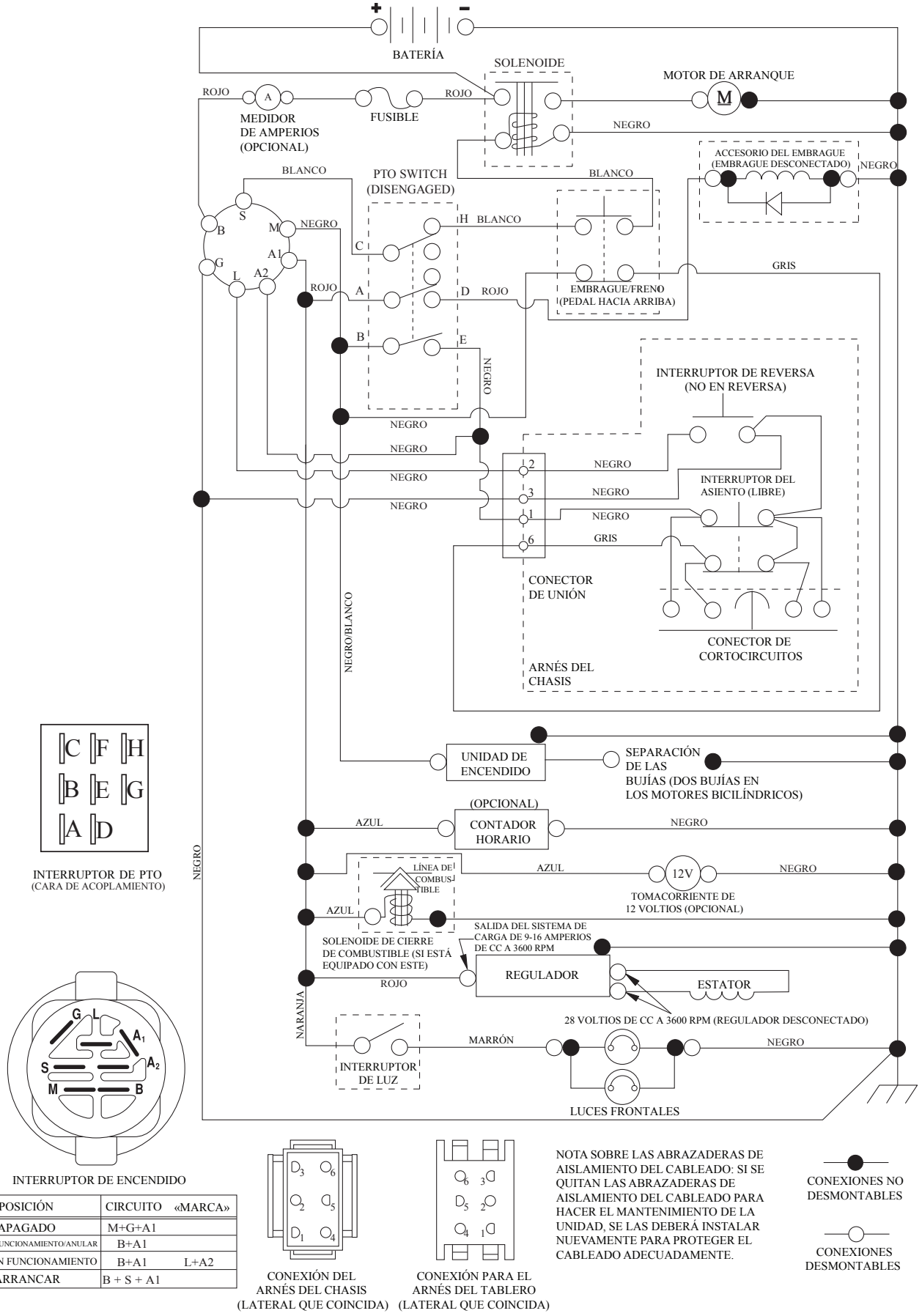
MZ - Two (2) Year Commercial warranty, parts & labor, with Hydro-Gear Distributor network.

*** "Limited Lifetime Warranty" on Tiller tines is for the life of the product or 7 (seven) years after the last date of the complete unit's final production, whichever comes first.

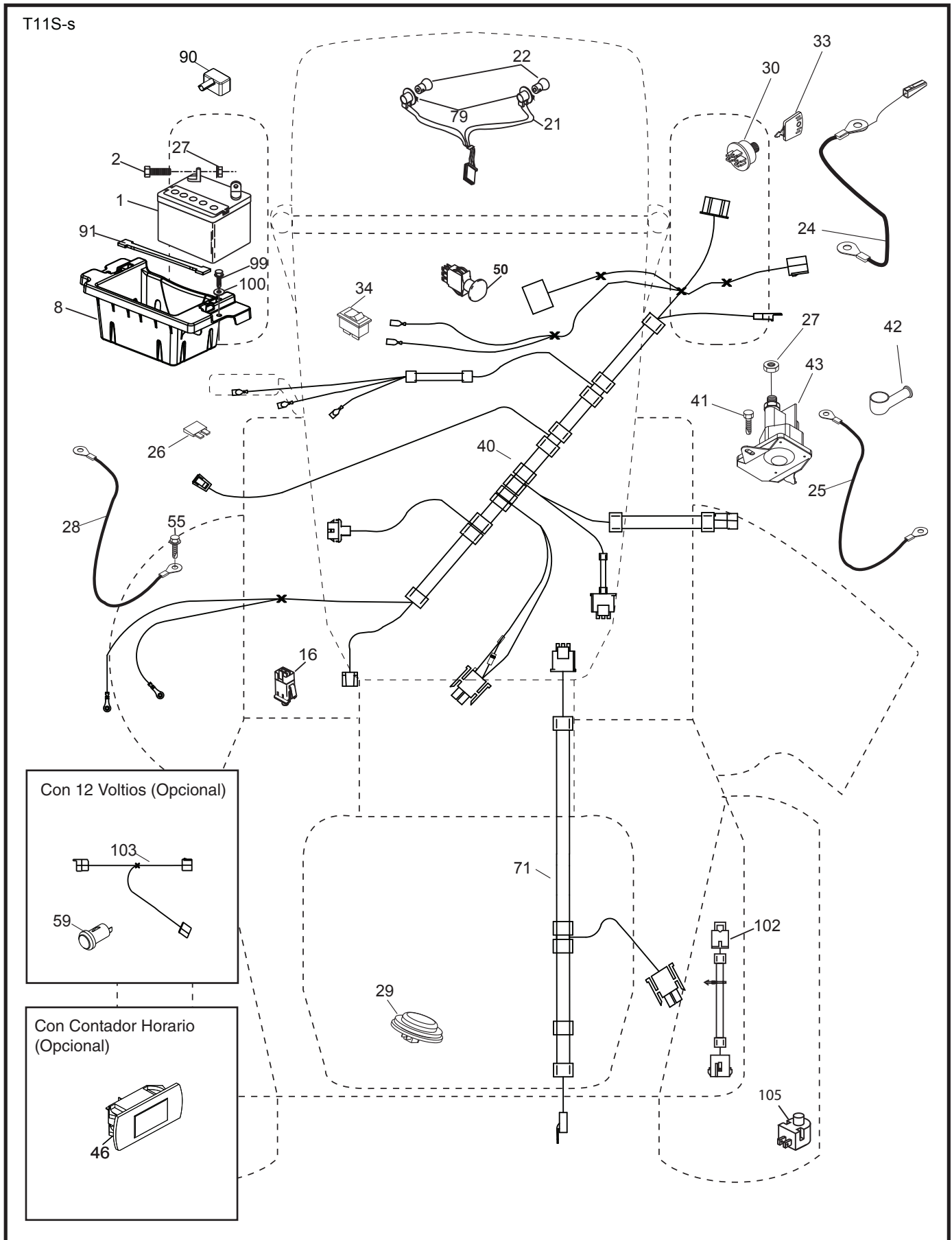
TRACTOR - MODELO NO. YTH23K48 (96045003500), PRODUCT NO. 960 45 00-35

DIAGRAMA

SCH12-s



TRACTOR - MODELO NO. YTH23K48 (96045003500), PRODUCT NO. 960 45 00-35
DIAGRAMA ELÉCTRICO

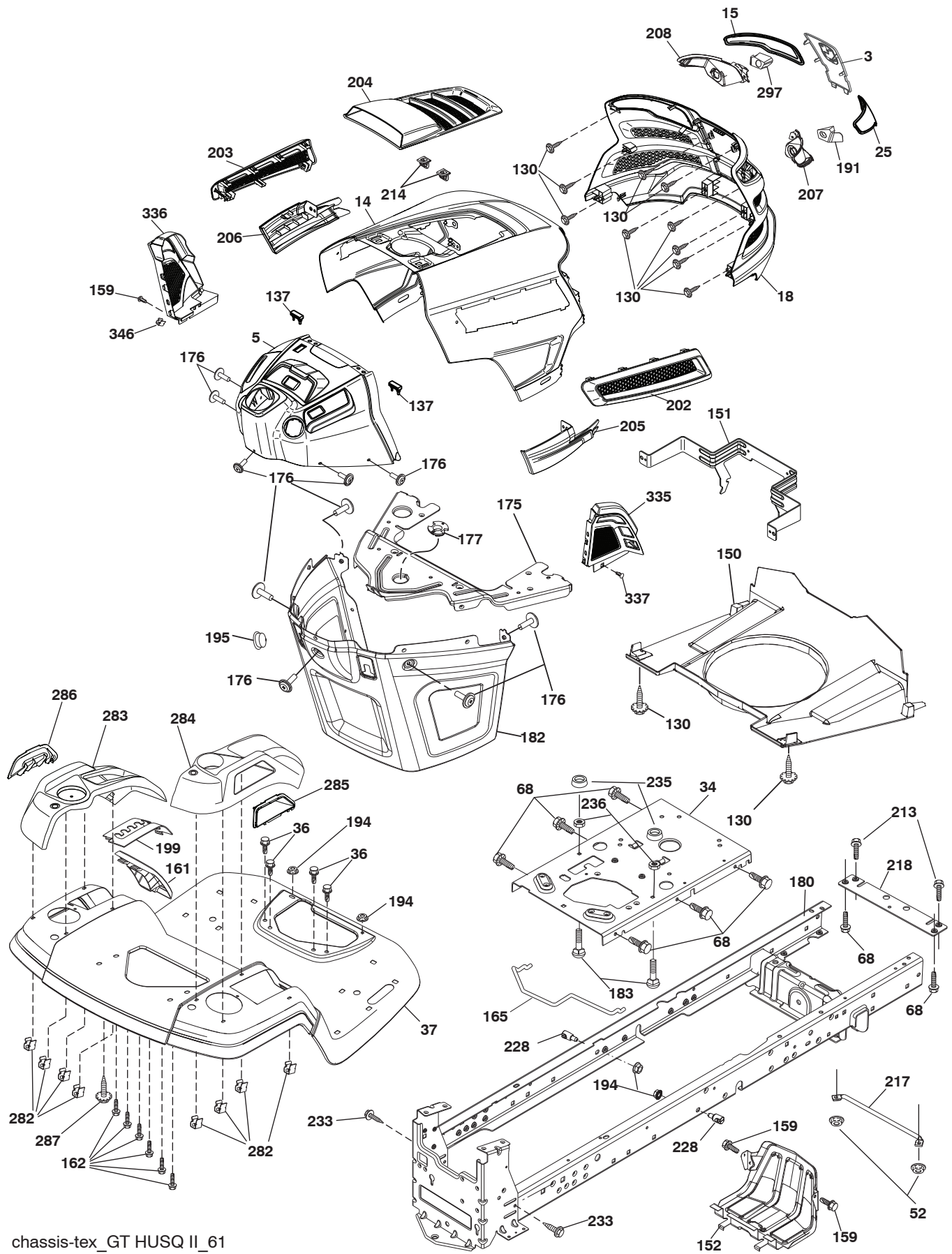


TRACTOR - MODELO NO. YTH23K48 (96045003500), PRODUCT NO. 960 45 00-35
DIAGRAMA ELÉCTRICO

CÓDIGO	PIEZA	DESCRIPCIÓN
No.	No.	
1	532 16 34-65	Batería
2	874 76 04-12	Perno de cabeza hexagonal de 1/4-20 x 3/4
8	532 18 64-91	Caja de la batería
16	532 17 61-38	Interruptor corta corriente a presión
21	532 40 02-52	Cableado del enchufe para la luz
22	532 00 41-52	Bombilla de luz #1156
24	532 40 02-53	Cable
25	532 41 28-95	Cable
26	532 17 51-58	Fusible
27	873 51 04-00	Tuerca hexagonal Keps de 1/4-20 unc
28	532 14 54-91	Cable a tierra 21" negro 6 Ga.
29	532 40 15-45	Interruptor del asiento
30	532 19 33-50	Interruptor de encendido
33	532 41 19-33	Llave/cadena
34	532 11 07-12	Interruptor de luz/de restauración
40	532 40 11-04	Cableado del tablero de encendido
41	817 72 04-08	Tornillo
42	532 13 15-63	Cubierta de la terminal, rojo
43	532 19 25-07	Solenoide
46	532 40 17-63	Indicador SRVCMNDR HRMTR
50	532 19 61-12	Interruptor PTO
55	817 06 05-12	Tornillo 5/16-18 x 3/4
71	532 19 42-76	Cableado del tablero
79	532 17 52-42	Enchufe de cierre por torsión del ensamble de la bombilla
90	532 43 53-95	Tapa de los bornes de la batería
91	532 19 02-70	Correa de batería
99	817 67 04-12	Tornillo 1/4-20 x 3/4
100	819 09 14-16	Arandela 9/32 x 7/8 x 16 Ga.
102	532 40 44-54	Cableado
105	532 40 75-68	Interruptor para retroceder TT control del pedal

NOTA: Las dimensiones de todos los componentes están expresadas en pulgadas americanas. 1 pulgada = 25,4 mm

TRACTOR - MODELO NO. YTH23K48 (96045003500), PRODUCT NO. 960 45 00-35
CHASIS



chassis-tex_GT HUSQ II_61

TRACTOR - MODELO NO. YTH23K48 (96045003500), PRODUCT NO. 960 45 00-35

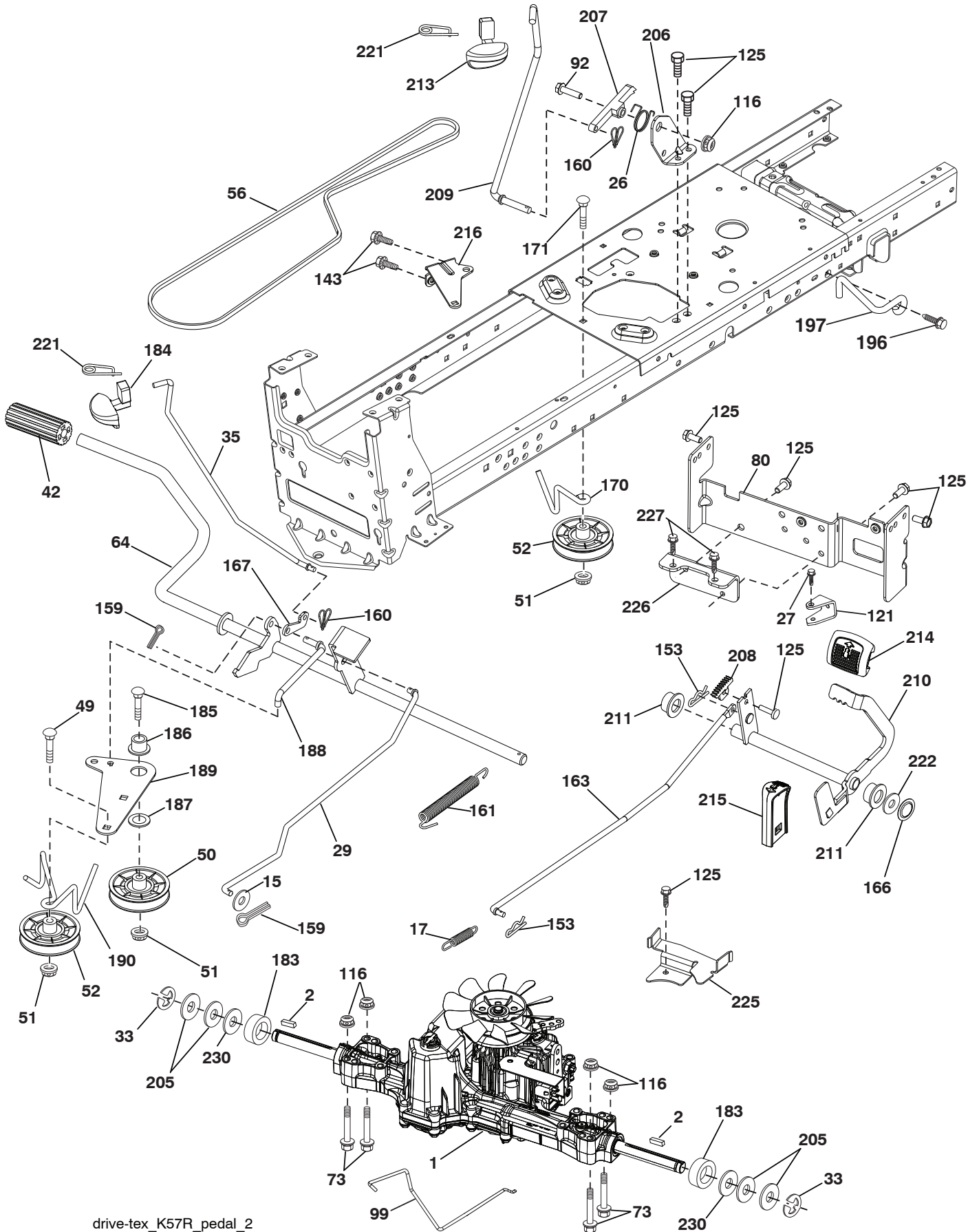
CHASIS

CÓDIGO No.	PIEZA No.	DESCRIPCIÓN	CÓDIGO No.	PIEZA No.	DESCRIPCIÓN
3	532 43 97-52	Logo	202	532 43 97-28	Salida de Ventilación (LD)
5	532 43 74-72	Tablero	203	532 43 97-27	Salida de Ventilación (LI)
14	532 44 11-77	Capota	204	532 43 57-14	Salida de Ventilación superior
15	532 43 97-33	Lente izquierdo de la parrilla	205	532 43 97-30	Camisa de Capota (LD)
18	532 43 77-62	Parrilla	206	532 43 97-29	Camisa de Capota (LI)
25	532 44 33-85	Lente derecho de la parrilla	207	532 43 97-34	Bisel derecho (LD)
34	532 19 61-25	Chapa Motor	208	532 43 97-35	Bisel izquierdo (LI)
36	817 06 05-12	Tornillo de 5/16-18 x 3/4	213	874 76 05-12	Perno 5/16-18 unc x 3/4
37	532 44 11-78	Guardabarros	214	532 19 91-45	Cierre
52	873 68 05-00	Tuerca de presión 5/16-18	217	532 40 91-67	Varilla giratoria
68	817 49 05-08	Tornillo de 5/16-18 x 1/2	218	532 19 63-95	Tope
130	532 41 63-58	Tornillo No. 10 x 0,75	228	532 19 51-61	Sujetador del travesaño
137	532 40 75-90	Cubierta Tablero	233	532 19 65-39	Tornillo
150	532 43 97-74	Cubierta térmica del conducto	234	532 40 47-42	Cubierta Capota
151	532 43 66-70	Soporte pivotante	235	532 40 61-29	Separador del guardabarros
152	532 43 60-86	Protector contra oscurecimiento	236	873 93 05-00	Tuerca de presión 5/16-18 unc
159	817 00 05-12	Tornillo 3/8-16 x 3/4	282	532 41 41-10	Abrazadera de retención
161	532 43 97-81	Ventana de combustible	283	532 43 98-61	Ensamble de la consola de la plataforma de elevación
162	532 14 24-32	Tornillo			Consola
165	532 19 68-26	Tanque de combustible, trasero	284	532 43 98-23	Inserto del Consola (LD)
175	532 19 63-04	Travesaño	285	532 41 63-15	Inserto del Consola (LI)
176	532 40 07-76	Tornillo 10-24 x 5/8	286	532 41 63-17	Tornillo 1/4 - 20 x 3/8
177	532 19 52-27	Buje de dirección	287	817 60 04-06	Parrilla reflectora LI
178	532 19 97-82	Red	297	532 43 74-56	Cubierta LD
180	532 19 54-57	Chasis	335	532 43 98-47	Cubierta LI
182	532 40 68-59	Tablero inferior	336	532 44 53-09	Cierre
183	874 52 05-20	Perno 5/16-18 x 1-1/4	337	532 43 81-37	Cierre de aislante
189	817 00 05-12	Tornillo 5/16-18 x 3/4	346	532 12 64-71	
191	532 43 74-55	Parrilla reflectora LD			
194	873 90 05-00	Tuerca de presión de 5/16-18			
195	532 40 41-37	Tapón			
199	532 41 34-85	Chapa			

NOTA: Las dimensiones de todos los componentes están expresadas en pulgadas americanas. 1 pulgada = 25,4 mm

TRACTOR - MODELO NO. YTH23K48 (96045003500), PRODUCT NO. 960 45 00-35

TRANSMISIÓN



drive-tex_K57R_pedal_2

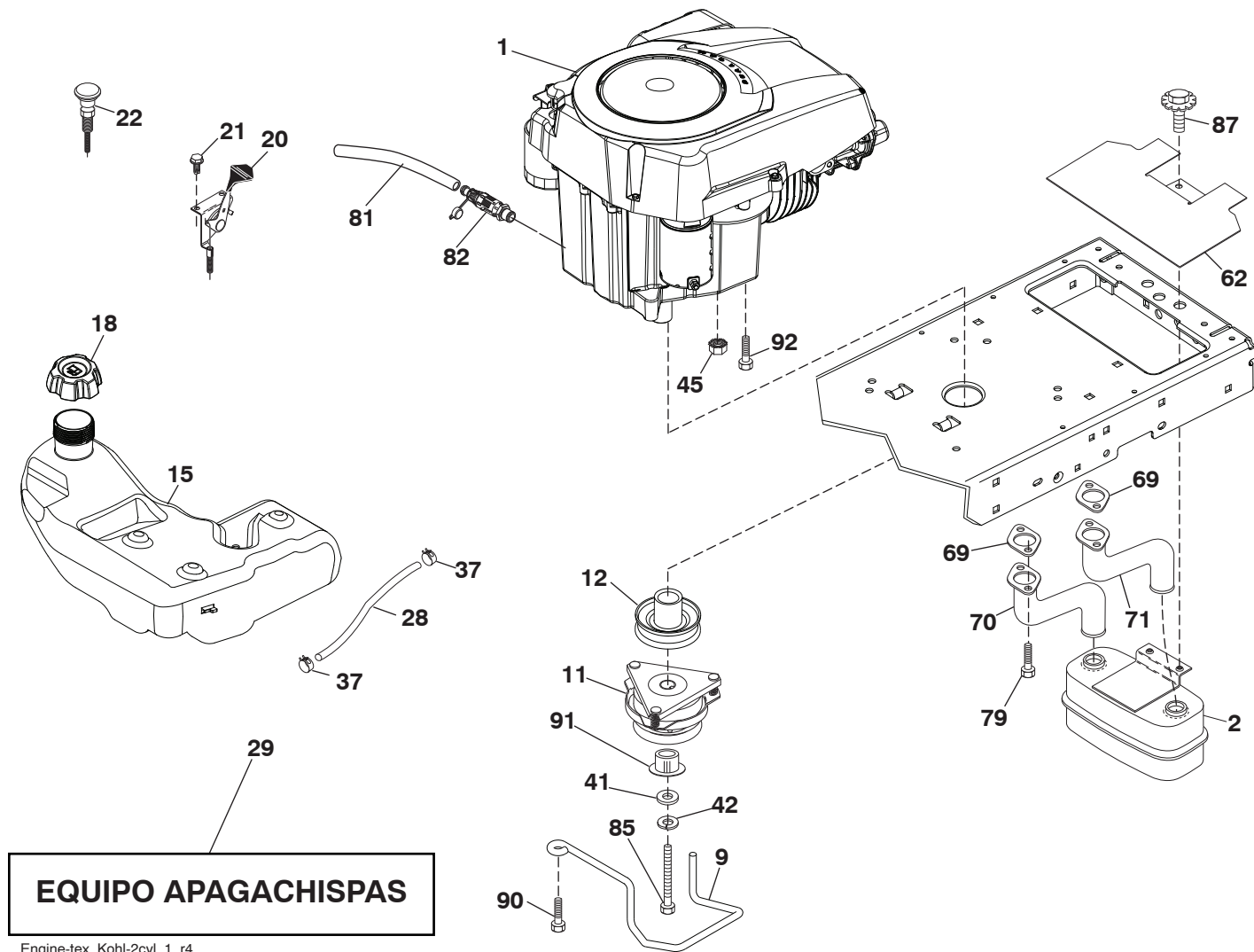
TRACTOR - MODELO NO. YTH23K48 (96045003500), PRODUCT NO. 960 45 00-35

TRANSMISIÓN

CÓDIGO No.	PIEZA No.	DESCRIPCIÓN	CÓDIGO No.	PIEZA No.	DESCRIPCIÓN
1	-----	Transeje, TUFFTORQ K57R (437814) (Haga el pedido de las piezas al fabricante del transeje)	183	532 13 70-57	Espaciador
2	532 12 35-83	Cuña	184	532 44 14-55	Manija del freno de mano
15	819 13 13-16	Arandela de 13/32 x 13/16 x calibre 16	185	872 11 06-22	Perno 3/8-16 x 2-3/4 Gr. 5
17	532 41 36-78	Resorte de freno	186	532 19 43-21	Espaciador
26	532 19 96-79	Crucero con retorno de muelle	187	819 13 32-10	Arandela
27	817 49 05-28	Tornillo 5/16-18 x 1-3/4	188	532 19 43-23	Mecanismo de desplazamiento de la varilla de mando del embrague
29	532 40 38-06	Varilla del freno	189	532 19 43-17	Palanca acodada del mecanismo de desplazamiento
33	812 00 00-01	Aro E	190	532 19 43-18	Sujetador de la palanca acodada del mecanismo de desplazamiento
35	532 43 54-86	Varilla del freno de mano	196	817 00 06-16	Tornillo 3/8-16 x 1
42	532 12 48-72	Cubierta del pedal	197	532 19 58-04	Soporte
49	872 11 06-14	Perno	205	532 12 17-48	Arandela
50	532 19 43-27	Polea loca plana	206	532 19 78-67	Soporte de montaje del bloqueo del crucero
51	873 90 06-00	Tuerca de presión de 3/8-16	207	532 19 78-68	Bloqueo del control del crucero
52	532 19 43-26	Polea loca con ranura en V con un desplazamiento de 910" (23 m)	208	532 19 78-69	Engranaje del sector de control del crucero
56	532 13 09-69	Correa trapezoidal de la transmisión	209	532 19 95-92	Varilla de control del crucero
64	532 19 78-65	Ensamble del eje Control del pedal de freno	210	532 40 09-80	Ensamble del balancín del control del pedal
73	874 49 05-40	Perno de 5/16-18 x 2 1/2 G5	211	532 12 01-83	Rodamiento de nylon
80	532 44 06-19	Correa de torsión	213	532 40 31-19	Perilla de control del crucero
92	874 76 05-20	Perno 5/16-18 unc x 1.25	214	532 42 12-63	Forro del pedal para avanzar
99	532 41 57-42	Varilla	215	532 40 17-23	Forro del pedal para retroceder
116	873 90 05-00	Tuerca de presión hexagonal con brida de 5/16-18	216	532 19 61-31	Soporte del Polea
121	532 43 76-84	Soporte de torsión	221	532 40 31-87	Abrazadera de retención del resorte de la manija
125	817 00 05-12	Tornillo 5/16-18 x 3/4	222	879 21 20-10	Arandela 21/32 x 1-1/4 x 10 Ga.
143	817 49 05-08	Tornillo 5/16-18 x 1/2	225	532 40 33-19	Sujetador de la correa
153	532 12 47-88	Retén del resorte	226	532 40 15-64	Soporte de montaje del torsión
159	876 02 04-12	Pasador de chaveta de 1/8 x 3/4	227	817 49 05-12	Tornillo 5/16-18 x 3/4
160	532 16 94-84	Abrazadera de retención	230	532 18 89-67	Arandela
161	532 10 57-09	Resorte de retorno del embrague			
163	532 40 10-34	Varilla de control del pedal			
166	532 42 91-64	Tuerca de presión			
167	532 40 52-57	Pestillo del freno de mano			
170	532 19 43-22	Sujetador			
171	872 11 06-16	Perno 3/8-16 unc x 2			

NOTA: Las dimensiones de todos los componentes están expresadas en pulgadas americanas. 1 pulgada = 25,4 mm

TRACTOR - MODELO NO. YTH23K48 (96045003500), PRODUCT NO. 960 45 00-35
MOTOR



EQUIPO APAGACHISPAS

Engine-tex_Kohl-2cyl_1_r4

**TRACTOR - MODELO NO. YTH23K48 (96045003500), PRODUCT NO. 960 45 00-35
MOTOR**

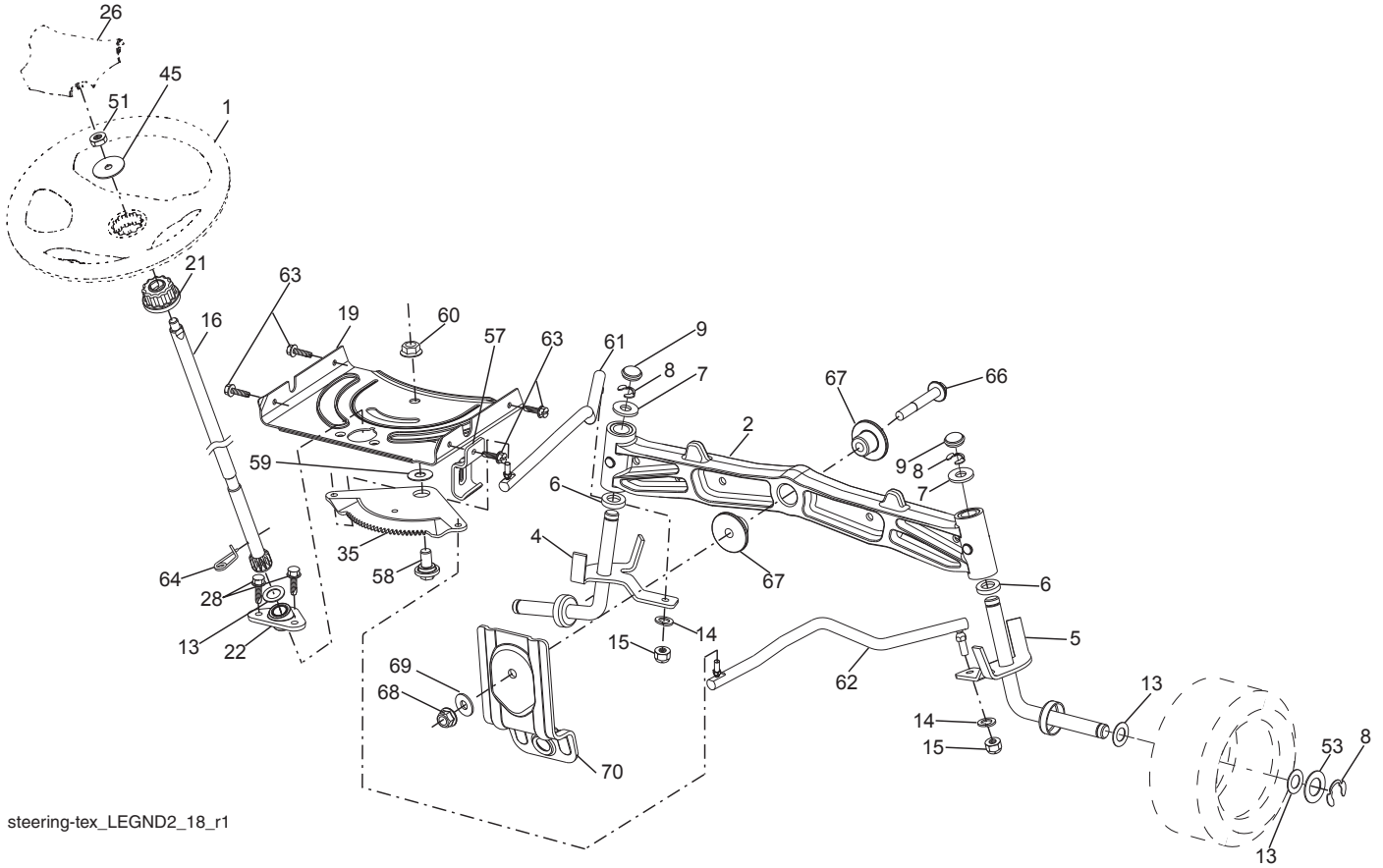
CÓDIGO NO.	PIEZA NO.	DESCRIPCIÓN
1	-----	Motor Kohl modelo No. SV720-3047 (445329) (Haga el pedido de las piezas al fabricante del motor)
2	532 14 97-23	Silenciador
9	532 19 43-20	Ensamble del sujetador de la correa del motor
11	532 40 00-08	Embrague eléctrico
12	532 40 50-97	Polea del motor
15	532 43 80-80	Tanque de combustible
18	532 43 92-08	Ensamble de la tapa
20	532 18 29-37	Control del regulador
21	532 41 63-58	Tornillo #10 x 0.750 BOS Thread
22	532 19 15-96	Control del obturador
28	532 40 11-35	Línea de combustible
29	532 13 71-80	Equipo apagachispas
37	532 12 34-87	Abrazadera de la manguera
41	532 12 61-97	Arandela 1-1/2 OD x 15/32 ID x .250
42	810 04 07-00	Arandela 7/16
45	873 51 04-00	Tuerca 1/4-20 unc
62	532 43 40-17	Silenciador con pantalla térmica
69	532 18 60-54	Junta
70	532 14 66-99	Tubo de escape LH
71	532 14 67-00	Tubo de escape RH
79	532 19 23-34	Tornillo 5/16-18 x .75
81	532 14 84-56	Tubo de fácil drenaje de aceite
82	532 42 82-87	Aceite drenaje válvula
85	532 17 39-37	Perno 7/16-20 x 4 Gr. 5
87	532 17 18-77	Perno 5/16-18 unc x 1
90	817 00 06-16	Tornillo 3/8-16 x 1
91	532 18 74-95	Buje
92	817 12 06-16	Tornillo 3/8-16 x 1

NOTA: Las dimensiones de todos los componentes están expresadas en pulgadas americanas. 1 pulgada = 25,4 mm
Para el servicio de motor y repuestos, llame el número de llamada gratuita para su fabricante de motor listó abajo:

Kohler Co.

1-800-544-2444

TRACTOR - MODELO NO. YTH23K48 (96045003500), PRODUCT NO. 960 45 00-35
ENSAMBLE DE LA DIRECCIÓN



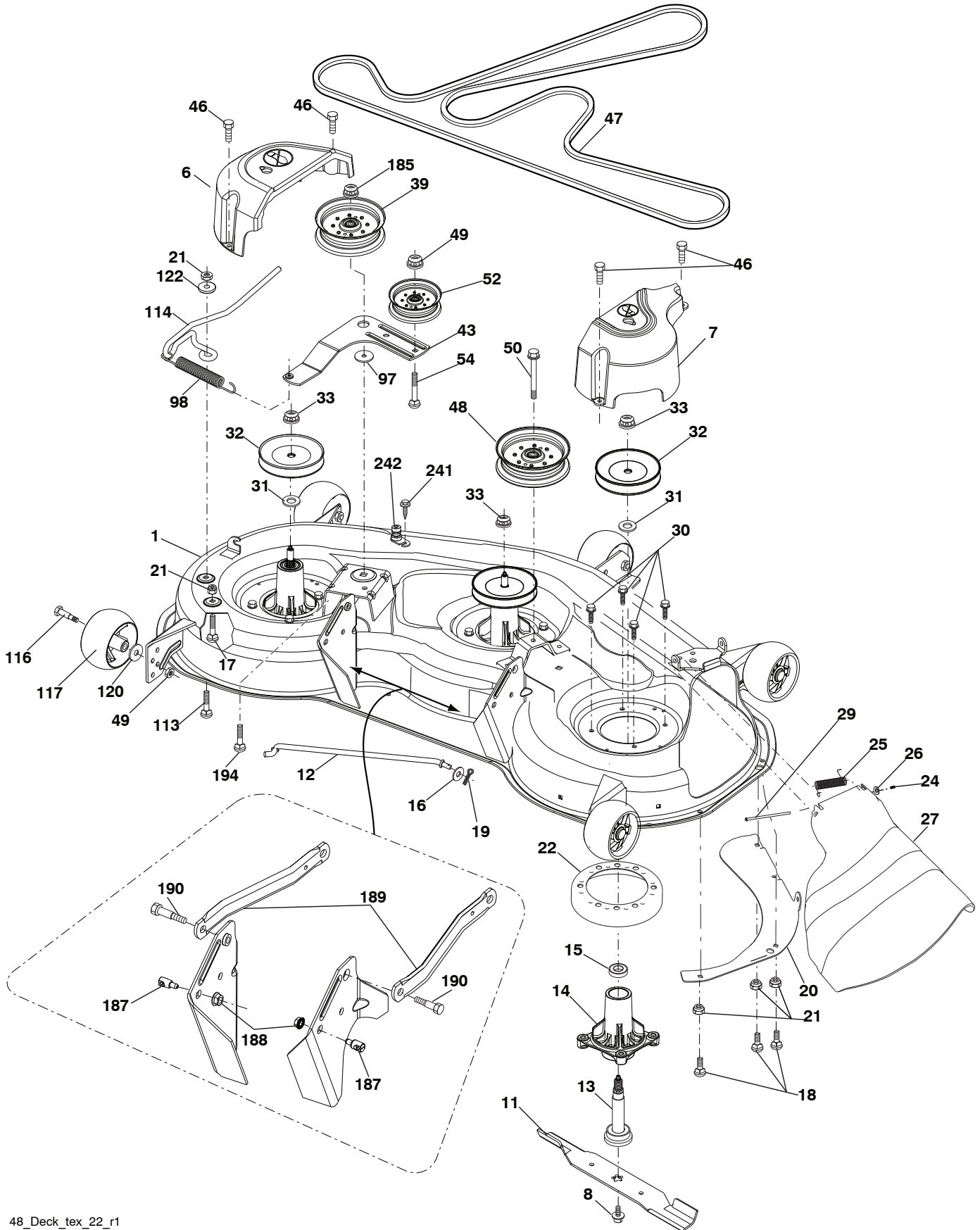
steering-tex_LEGND2_18_r1

TRACTOR - MODELO NO. YTH23K48 (96045003500), PRODUCT NO. 960 45 00-35
ENSAMBLE DE LA DIRECCIÓN

CÓDIGO PIEZA		DESCRIPCIÓN
No.	No.	
1	532 43 97-40	Volante de dirección
2	532 19 59-68	Eje delantero
4	532 40 30-87	Ensamble del husillo izquierdo
5	532 40 30-88	Ensamble del husillo derecho
6	532 12 49-31	Pista del rodamiento para reforzar el impulso
7	532 12 17-48	Arandela 25/32 x 1-5/8 x 16 Ga.
8	812 00 00-29	Abrazadera del aro No. T5304-75
9	532 12 12-32	Tapa del husillo
13	532 12 17-49	Arandela 25/32 x 1-1/4 x 16 Ga.
14	810 04 06-00	Arandela 3/8
15	873 54 06-00	Tuerca corona de presión de 3/8-24 unf
16	532 40 82-19	Eje de dirección
19	532 19 47-29	Placa de dirección
21	532 18 67-37	Adaptador del volante de dirección
22	532 42 05-37	Dirección de soporte
26	532 43 97-43	Inserto del volante de dirección
28	817 00 06-12	Tornillo 3/8-16 x 3/4
35	532 19 47-32	Engranaje del sector de la placa
45	819 18 38-12	Arandela 9/16 x 2-3/8 x 12 Ga.
51	873 94 08-00	Tuerca de presión de 1/2-20 unf
53	532 18 89-67	Arandela .793 x 1.637 x .060
57	532 19 72-46	Tope superior del soporte
58	532 19 47-47	Perno de tope del sector del pivote CFM
59	532 19 47-48	Arandela de empuje del sector de dirección
60	873 97 10-00	Tuerca de presión con brida de 5/8-11
61	532 19 47-40	Barra de acoplamiento izquierda
62	532 19 47-41	Barra de acoplamiento derecha
63	817 00 05-12	Tornillo 5/16-18 x 3/4
64	532 19 98-49	Abrazadera de retención del resorte de la dirección
66	871 02 07-48	Perno de cabeza 7/16-14 x 3
67	532 19 47-37	Buje PM del eje delantero
68	873 90 07-00	Tuerca de presión con brida de 7/16-14 grado 5
69	532 19 91-62	Arandela 1.5 x .505 x .118
70	532 19 61-97	Soporte de la plataforma delantera

NOTA: Las dimensiones de todos los componentes están expresadas en pulgadas americanas. 1 pulgada = 25,4 mm

TRACTOR - MODELO NO. YTH23K48 (96045003500), PRODUCT NO. 960 45 00-35
PLATAFORMA DE LA CORTADORA DE CÉSPED

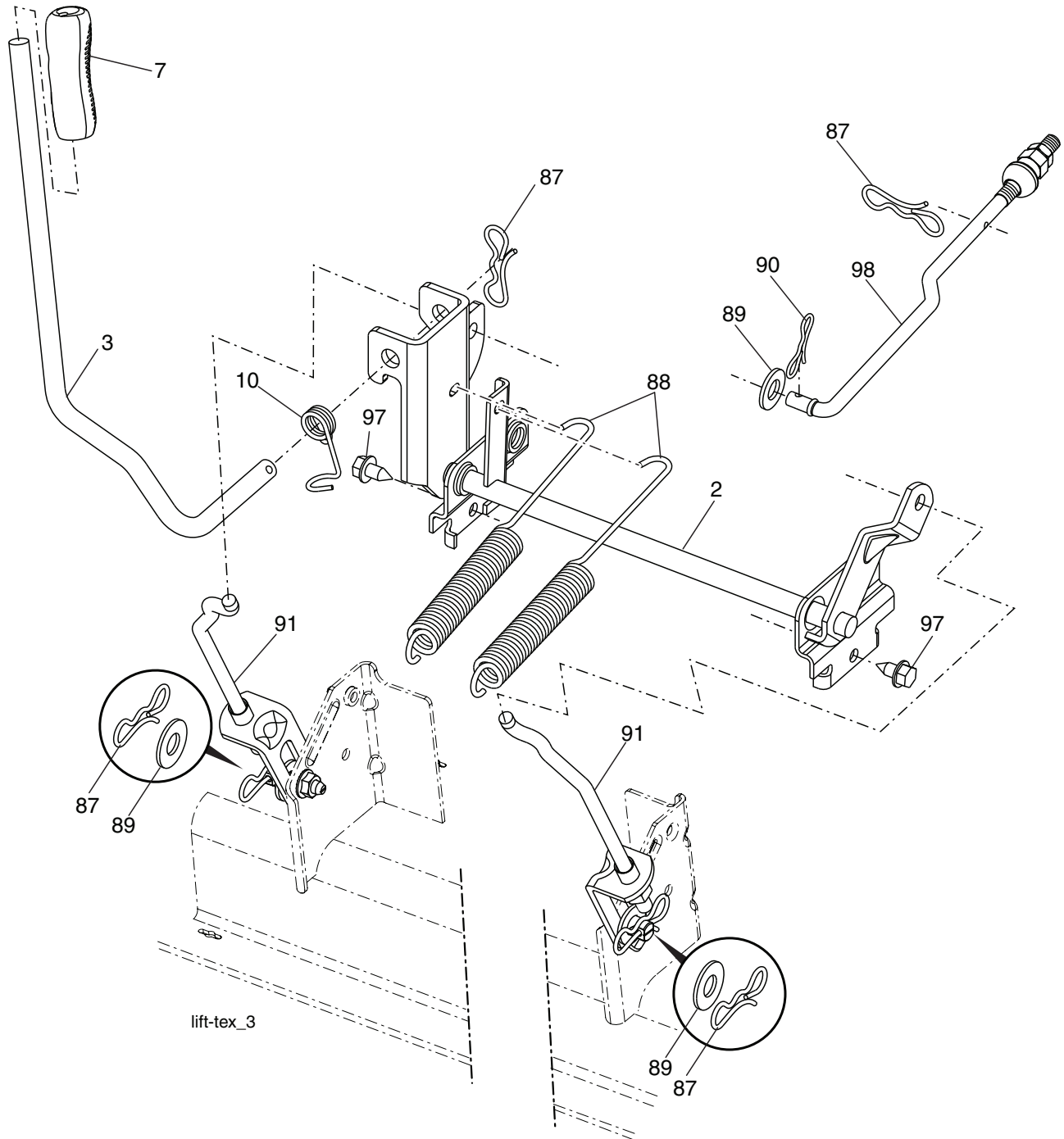


TRACTOR - MODELO NO. YTH23K48 (96045003500), PRODUCT NO. 960 45 00-35
PLATAFORMA DE LA CORTADORA DE CÉSPED

CÓDIGO PIEZA			CÓDIGO PIEZA		
No.	No.	DESCRIPCIÓN	No.	No.	DESCRIPCIÓN
1	532 44 12-93	Carcasa de la cortadora de césped	52	532 19 31-97	Polea loca primaria 48"
6	532 19 72-48	Cubierta izquierda del mandril	54	872 11 06-12	Perno 3/8-16 x 1-1/2 Gr. 5
7	532 19 91-02	Cubierta derecha del mandril	97	532 17 85-15	Arandela
8	532 19 30-03	Perno de cuchilla 7/16	98	532 19 61-05	Accionamiento por resortes
11	532 18 00-54	Cuchilla de la cortadora	113	872 11 05-08	Perno 5/16-18 x 3/4
12	532 40 48-51	Varilla	114	532 19 74-51	Varilla
13	532 18 72-91	Ensamble del eje. con rodamiento inferior	116	532 19 34-06	Perno de tope
14	532 18 72-81	Carcasa del mandril	117	532 17 48-73	Calibrador de la rueda
15	532 11 04-85	Rodamiento de bolas del mandril	120	819 13 20-12	Arandela 13/32 x 1-1/4 x 12 Ga.
16	819 13 13-12	Arandela 13/32 x 13/16 x 12 Ga.	122	532 18 75-57	Buje
17	872 11 05-05	Perno 5/16-18 x 5/8	185	873 90 07-00	Tuerca de presión con brida 7/16-14 Gr. 5
18	872 14 05-05	Perno 5/16-18 unc x 5/8	187	532 19 51-61	Sujetador del travesaño
19	532 19 42-08	Pasador de chaveta de 5/16 con bloqueo en forma de mariposa	188	873 90 05-00	Tuerca de presión hexagonal con brida
20	532 17 43-78	Torbellino de deflector	189	532 19 51-85	Brazo de la suspensión trasera
21	873 68 05-00	Tuerca 5/16-18 unc	190	532 19 65-39	Perno de tope
22	532 17 44-93	Separador de mandril	194	874 49 07-36	Perno 7/16-24
24	532 10 53-04	Tapa de la manga	241	532 15 29-27	Tornillo TT #10-32.5 3/8
25	532 17 81-02	Resorte de torsión	242	532 41 55-98	Puerto de Lavado de la Cubierta
26	532 11 04-52	Tuerca	--	532 18 72-92	Ensamble del Mandril (solo incluye la carcasa, el ensamble del eje y el rodamiento; no incluye la polea/tuerca/arandela ni los pernos/arandelas de la cuchilla)
27	532 18 17-07	Protector del deflector	--	532 41 82-23	Accesorio del conexión
29	532 13 14-91	Varilla de la bisagra	--	532 40 12-38	Reemplazo de la cortadora de césped, completa
30	532 17 39-84	Tornillo con cabeza de arandela			
31	532 18 76-90	Arandela del separador			
32	532 15 35-32	Polea del mandril			
33	532 40 02-34	Tuerca de presión con brida			
39	532 19 73-80	Polea loca 4.50			
43	532 19 60-65	Brazo de la polea			
46	532 13 77-29	Tornillo 1/4-20 x 5/8			
47	532 19 72-42	Correa de la transmisión			
48	532 19 73-79	Polea loca 4.50 RAW			
49	873 90 06-00	Tuerca de presión con brida 3/8-16 unc			
50	817 49 06-36	Tornillo TT 3/8-16 x 2-1/4			

NOTA: Las dimensiones de todos los componentes están expresadas en pulgadas americanas. 1 pulgada = 25,4 mm

TRACTOR - MODELO NO. YTH23K48 (96045003500), PRODUCT NO. 960 45 00-35
ELEVACIÓN DE LA CORTADORA DE CÉSPED

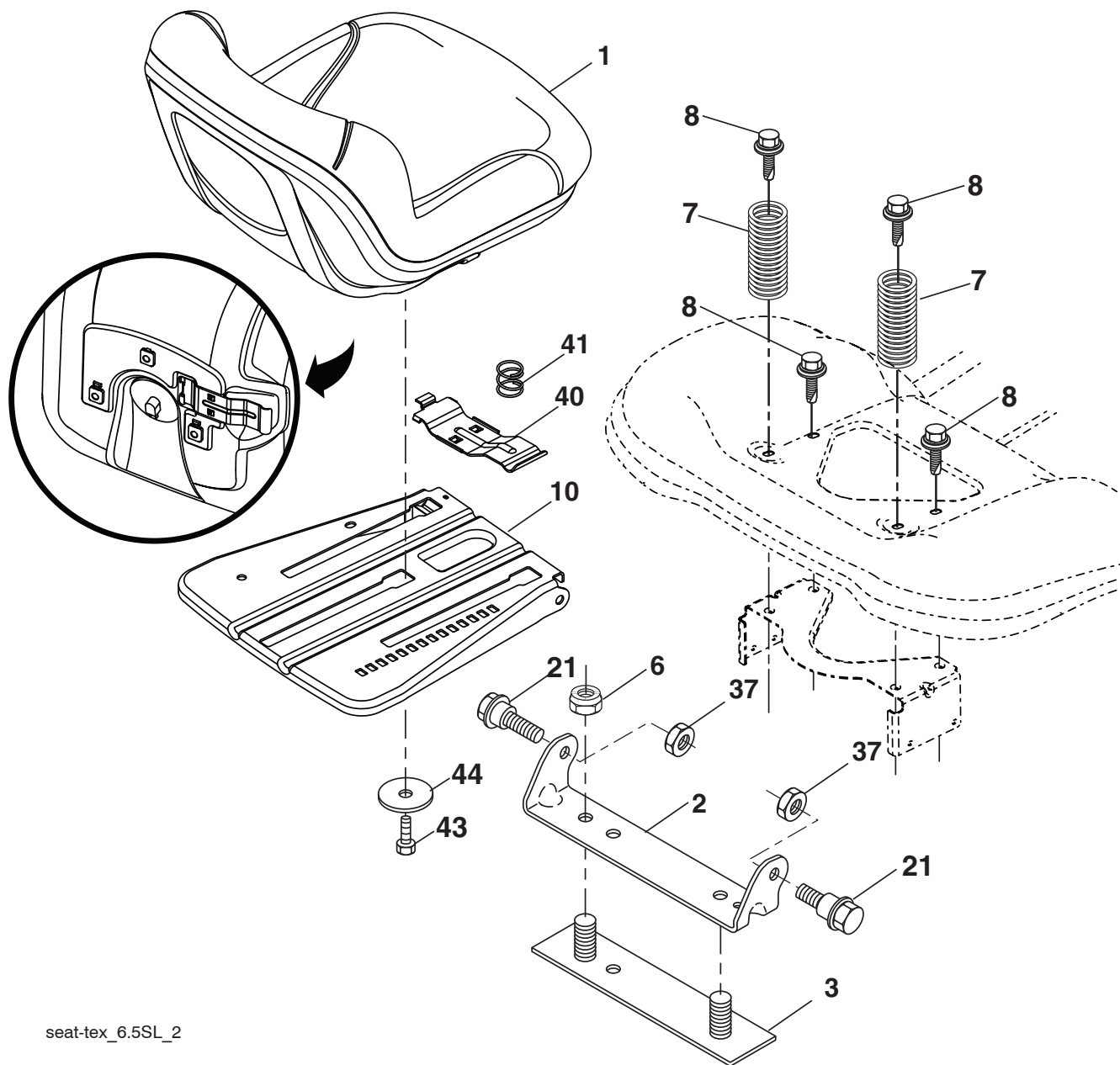


CÓDIGO No.	PIEZA No.	DESCRIPCIÓN
2	532 42 20-27	Ensamble del eje de la elevación
3	532 19 52-31	Ensamble de la palanca de elevación derecha
7	532 41 15-55	Mango de la palanca
10	532 19 63-14	Resorte de torsión
87	532 19 42-09	Pasador de chaveta de 7/16 con bloqueo en forma de mariposa
88	532 41 07-10	Resorte de ayuda de la elevación
89	819 19 19-12	Arandela de zinc transparente

CÓDIGO No.	PIEZA No.	DESCRIPCIÓN
90	532 19 42-08	Pasador de chaveta de 5/16 con bloqueo en forma de mariposa
91	532 19 51-81	Ensamble del acoplamiento
97	817 00 06-12	Tornillo de 3/8-16 x 0,75
98	532 19 52-64	Acoplamiento frontal de la elevación de la cortadora de césped

NOTA: Las dimensiones de todos los componentes están expresadas en pulgadas americanas. 1 pulgada = 25,4 mm

TRACTOR - MODELO NO. YTH23K48 (96045003500), PRODUCT NO. 960 45 00-35
ENSAMBLE DEL ASIENTO



seat-tex_6.5SL_2

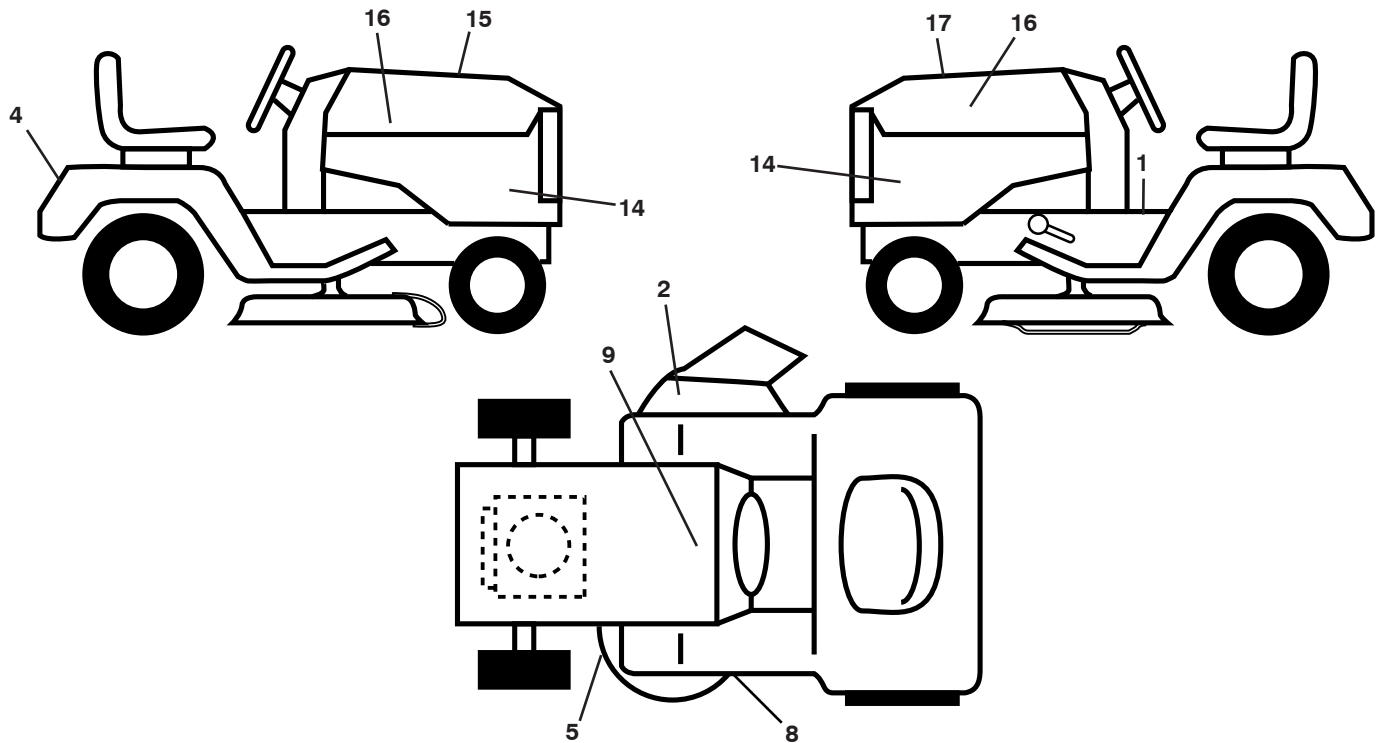
CÓDIGO No.	PIEZA No.	DESCRIPCIÓN
1	532 44 32-63	Asiento
2	532 18 01-66	Soporte pivotante del guardabarros
3	532 14 06-75	Conector del ensamble del guardabarros
6	873 80 06-00	Tuerca de presión c/aislamiento de 3/8-16 unc
7	532 12 41-81	Resorte del asiento
8	532 17 18-77	Perno de 5/16" unc x 3/4"
10	532 19 69-77	Bandeja del asiento

CÓDIGO No.	PIEZA No.	DESCRIPCIÓN
21	532 17 18-52	Perno de tope de 5/16-18
37	873 80 05-00	Tuerca de presión de 5/16-18 unc
40	532 19 76-61	Manija para deslizar el asiento
41	532 19 82-00	Resorte para trabar el asiento
43	874 76 06-12	Perno de cabeza hexagonal con aleta de 3/8-16 unc x 3/4
44	819 13 38-12	Arandela de 13/32x2-3/8 calibre 12

NOTA: Las dimensiones de todos los componentes están expresadas en pulgadas americanas. 1 pulgada = 25,4 mm

TRACTOR - MODELO NO. YTH23K48 (96045003500), PRODUCT NO. 960 45 00-35

CALCOMANÍAS



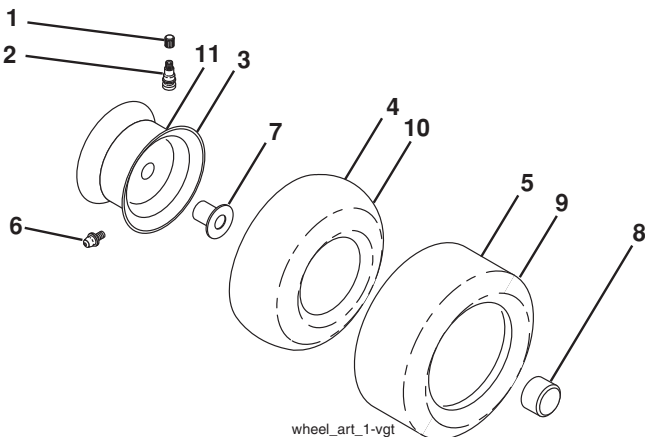
CÓDIGO PIEZA

No.	No.	DESCRIPCIÓN
1	532 41 91-38	Calcomanía para el guardabarros del operador
2	532 17 05-63	Calcomanía para el mantenga mano lejos
4	532 19 15-54	Calcomanía para el guardabarros
5	532 17 84-55	Calcomanía precaución
8	532 19 87-85	Calcomanía del diagrama de la cortadora de césped
9	532 14 50-05	Calcomanía de Peligro/Punto de interconexión

CÓDIGO PIEZA

No.	No.	DESCRIPCIÓN
14	532 43 95-83	Calcomanía para el panel lateral
15	532 42 38-29	Calcomanía responsabilidad del cliente
16	532 42 91-96	Calcomanía para el logo de la capota
17	532 44 54-67	Calcomanía de reemplazo
--	532 16 69-60	Calcomanía para la desviación
--	532 43 96-81	Forro del apoyo para los pies (LI)
--	532 43 96-82	Forro del apoyo para los pies (LD)
--	532 44 54-72	Manual del operador (INGLÉS/ESPAÑOL)
--	532 44 54-73	Manual De Repuestos (INGLÉS/ESPAÑOL)

RUEDAS Y NEUMÁTICOS



CÓDIGO PIEZA

No.	No.	DESCRIPCIÓN
1	532 05 91-92	Tapa de la válvula del neumático
2	532 06 51-39	Vástago de la válvula
3	532 13 83-36	Ensamble de las llantas delanteras
4	532 05 99-04	Cámara delantera (Mantenimiento sólo)
5	532 10 62-22	Neumático delantero
6	532 12 49-57	Accesorio para engrasar (solo para la rueda delantera)
7	532 12 49-59	Rodamiento de la brida (solo para la rueda delantera)
8	532 17 50-39	Tapa del eje
9	532 13 84-68	Neumático trasero
10	532 12 49-26	Cámara trasera (Mantenimiento sólo)
11	532 13 83-37	Ensamble trasero de la llanta
--	532 14 43-34	Sellador para neumáticos (tubo de 10 onzas [283 gr])

NOTA: Las dimensiones de todos los componentes están expresadas en pulgadas americanas. 1 pulgada = 25,4 mm

Productos con ruedas para consumidor - Garantía limitada

Husqvarna le garantiza al comprador minorista original que este producto Husqvarna® está libre **de defectos de material o mano de obra** bajo uso y mantenimiento normales a partir de la fecha de compra minorista por el período de garantía aplicable que se indica en el [Anexo A](#). Ciertos componentes (por ejemplo los motores y las transmisiones) quedan excluidos de la cobertura y aplican otras limitaciones, según se describe en este documento. Husqvarna reparará o sustituirá, a su propio criterio, cualquier producto o parte defectuoso cubierto por la garantía limitada, sin cargo, en cualquier concesionario/centro de servicio Husqvarna autorizado utilizando repuestos originales de OEM Husqvarna, sujeto a las limitaciones y exclusiones que se describen a continuación. Husqvarna no ofrece un programa de cambio directo.

ESTA GARANTÍA LIMITADA ES LA ÚNICA GARANTÍA EXPRESA QUE PROPORCIONA HUSQVARNA. CUALQUIER GARANTÍA QUE PUEDA QUEDAR IMPLÍCITA DE ACUERDO CON LAS LEYES (INCLUIDA CUALQUIER GARANTÍA IMPLÍCITA DE ADECUACIÓN A UN PROPÓSITO O USO PARTICULAR Y GARANTÍA IMPLÍCITA DE COMERCIABILIDAD) SE LIMITA A LA DURACIÓN DEL PERÍODO DE GARANTÍA APLICABLE BAJO ESTA GARANTÍA LIMITADA. ESTA GARANTÍA LIMITADA PUEDE SER MODIFICADA ÚNICAMENTE POR HUSQVARNA. ALGUNOS ESTADOS NO PERMITEN LIMITACIONES DE LA DURACIÓN DE UNA GARANTÍA IMPLÍCITA, DE MODO QUE LAS LIMITACIONES ANTERIORES PUEDEN NO APLICARSE EN SU CASO. ESTA GARANTÍA LIMITADA LE OTORGA DERECHOS LEGALES ESPECÍFICOS, Y USTED TAMBIÉN PUEDE TENER OTROS DERECHOS QUE VARÍAN DE UN ESTADO A OTRO. ESTA GARANTÍA ES OTORGADA **ÚNICAMENTE** POR HUSQVARNA. LOS RECURSOS ANTERIORES SON LOS RECURSOS EXCLUSIVOS PARA CUALQUIER VIOLACIÓN DE ESTA GARANTÍA LIMITADA. HUSQVARNA Y SUS EMPRESAS AFILIADAS NO SERÁN RESPONSABLES POR NINGÚN DAÑO ESPECIAL, DIRECTO O INDIRECTO, INCLUIDA LA PÉRDIDA DE UTILIDADES RESULTANTE DE CUALQUIER VIOLACIÓN DE ESTE TIPO Y POR EL PRESENTE DOCUMENTO SE DECLINA CUALQUIER RESPONSABILIDAD POR TODOS LOS DAÑOS DE ESTE TIPO. ALGUNOS ESTADOS NO PERMITEN LA EXCLUSIÓN DE DAÑOS DIRECTOS O INDIRECTOS, O LIMITACIONES SOBRE ELLOS, DE MODO QUE LAS LIMITACIONES ANTERIORES PUEDEN NO APLICARSE EN SU CASO.

LIMITACIONES Y EXCLUSIONES

1. **Los motores, las transmisiones y otros componentes determinados NO están cubiertos.** Esta Garantía limitada **no cubre** ninguno de los siguientes:

(a) *Motores y acoplamientos.* Excepto en los casos en que se indica otra cosa en el [Anexo A](#), todos los motores y los acoplamientos no están cubiertos por esta garantía. En la mayoría de los casos, estos elementos NO son fabricados por Husqvarna, en cuyo caso pueden estar cubiertos por separado por la garantía de sus respectivos fabricantes si se proporciona una y se la incluye con el producto en el momento de la compra. Todos los reclamos de este tipo deben presentarse y enviarse al fabricante correspondiente o según se indique en esas garantías separadas. Husqvarna no tiene autorización para realizar ajustes o reparaciones contemplados por la garantía en motores fabricados por Briggs & Stratton, Honda, Kawasaki o Kohler (excepto modelos equipados con motores LCT). Husqvarna no asume ninguna obligación de garantía de los motores de otros fabricantes.

(b) *Transmisiones.* Excepto en los casos en que se indica otra cosa en el [Anexo A](#), las transmisiones/tranjeses (incluidos los sistemas de transmisión) no están cubiertos por esta garantía. En la mayoría de los casos, estos elementos NO son fabricados por Husqvarna, en cuyo caso pueden estar cubiertos por separado por la garantía de sus respectivos fabricantes si se proporciona una y se la incluye con el producto en el momento de la compra. Los fabricantes de transmisiones/tranjeses Dana, Hydro-Gear, Tuff-Torq proporcionan una garantía para la transmisión/tranje al comprador final o a Husqvarna. Husqvarna asignará la garantía del fabricante de la transmisión/tranje o cualquier derecho sobre dicho elemento al comprador original de la unidad. Para obtener servicios para transmisiones/tranjeses cubiertos por la garantía, contacte primero al minorista donde compró la unidad. En caso de requerir asistencia o si tiene preguntas con respecto a la cobertura de garantía de transmisiones/tranjeses, contacte a Husqvarna directamente en nuestro sitio web www.husqvarna.com o llame al 800-487-5951 para buscar un proveedor de servicios autorizado por Husqvarna. Todos los reclamos de este tipo deben presentarse y enviarse al fabricante correspondiente o según se indique en esas garantías separadas. Husqvarna no tiene autorización para realizar ajustes o reparaciones contemplados por la garantía en transmisiones o tranjeses. Husqvarna no asume ninguna obligación de garantía de los fabricantes antes enumerados (para ver las excepciones, consulte el [Anexo A](#)).

(c) *Partes perecederas.* Esta garantía limitada no cubre partes y elementos de mantenimiento general ("**partes perecederas**"), incluidos entre otros bujías, bombillas, filtros, lubricantes, cuerdas de arranque, hojas y adaptadores de hojas.

(d) *Componentes para control de emisiones.* Esta garantía limitada no cubre equipos y componentes para **control de emisiones** al grado regulado por la Agencia de Protección Ambiental de EE.UU. o por agencias estatales similares. Esos equipos y componentes están cubiertos por una declaración de garantía de control de emisiones separada que se suministra con su nuevo producto. Consulte esta declaración de garantía separada para ver los detalles.

2. **Cualquier uso COMERCIAL, INSTITUCIONAL, AGRÍCOLA, INDUSTRIAL, QUE PRODUZCA INGRESOS o DE ALQUILER tendrá como resultado la falta de garantía o un período de garantía menor.** Dependiendo del producto, NO HAY GARANTÍA o la garantía es reducida si el producto se utiliza para fines comerciales, institucionales, agrícolas, industriales, con producción de ingresos o de alquiler. Consulte el [Anexo A](#).

3. **Responsabilidades del propietario (usted).** Si desea conservar sus derechos bajo esta Garantía limitada, debe demostrar el cuidado y uso razonables del producto; esto incluye cumplir con el mantenimiento preventivo, el almacenamiento, el uso de combustible y aceite según se indican en el manual del operador que se adjunta. Por ejemplo, los siguientes elementos son responsabilidad del propietario y **no** están cubiertos por esta Garantía limitada:

- a. Servicio de configuración y anterior a la entrega, así como afinaciones del motor.
- b. Los ajustes después de los primeros treinta (30) días posteriores a la compra y de allí en más, como ajustes del cable del acelerador o de las guías de las correas.
- c. El mantenimiento preventivo según se describe en el manual del operador.

Además, usted debe dejar de utilizar el producto de inmediato si se produce cualquier falla o daño. El producto debe llevarse a un concesionario de servicio Husqvarna autorizado antes de seguir utilizándolo.

4. **Los daños que resultan del envejecimiento y desgaste normales o los daños por negligencia NO están cubiertos.** La Garantía limitada no cubre otros daños fuera de los que resultan de defectos en el material o la mano de obra. Los siguientes NO se consideran defectos en el material o en la mano de obra y, por lo tanto, NO están cubiertos.

- (a) Abrasión en plataformas de cortadoras de césped.
- (b) Neumáticos dañados por pinchaduras externas.
- (c) Cambio de color natural del material debido a la luz ultravioleta.
- (d) Daños en los equipos de corte por contacto con rocas u otros materiales y/o estructuras no aprobados.

Además, la Garantía limitada no cubre daños, averías o fallas que resulten de abuso o uso negligente del producto que incluya o esté asociado con cualquiera de los siguientes:

- (e) Incumplimiento del suministro o la realización de los servicios de mantenimiento requeridos según se indican en el manual del operador.
- (f) Abuso, uso indebido, negligencia, modificaciones, alteraciones, desgaste normal, servicios incorrectos, uso de acoplamientos no autorizado de lubricación o falla del motor por el uso de aceites que no cumplen con las especificaciones del fabricante del motor.
- (g) Uso de gasohol, que contiene metanol (alcohol de la madera). El gasohol que contiene un máximo de 10% de etanol (alcohol de cereal) o 15% de MTBE (metil/terciario/butil/éter) está aprobado.
- (h) Uso de éter o cualquier fluido para arranque.
- (i) Limpieza del producto con presión o vapor.
- (j) Uso de bujías que no sean las que cumplen con los requisitos de rendimiento con respecto a las emisiones enumerados en el manual del operador.
- (k) Manipulación no autorizada del gobernador de velocidad o los componentes de control de emisiones del motor, así como el funcionamiento del motor por encima de las velocidades de motor especificadas y recomendadas según se enumeran en el manual del operador.
- (l) Funcionamiento de la unidad con escudos de corte, protecciones o dispositivos de seguridad instalados incorrectamente, retirados o modificados.
- (m) Cualquier filtro de aire retirado o dañado, suciedad excesiva, abrasivos, agua salobre, humedad, corrosión, óxido, barniz, combustible caduco o cualquier reacción adversa debida a procedimientos de almacenamiento incorrectos.
- (n) Fallas debidas a configuración incorrecta, servicio antes de la entrega o servicio de reparación realizado por alguien que no sea un concesionario de servicio Husqvarna autorizado durante el período de garantía.
- (o) Grasa o aceite contaminado con suciedad, uso de tipos incorrectos de grasa o aceite, incumplimiento de los intervalos de engrase recomendados, daño por agua o humedad y/o almacenamiento incorrecto.
- (p) Bombeo de rociadores o rociado de materiales cáusticos o inflamables, coladores faltantes o rotos. O bien
- (q) Continuidad del uso del producto después de la aparición inicial del problema o la falla.

CÓMO OBTENER SERVICIO

5. **Centro/concesionario de servicio Husqvarna autorizado.** Para obtener cobertura de garantía, es su responsabilidad (a su costo y cargo) entregar o enviar su unidad Husqvarna a un centro/concesionario de servicio Husqvarna autorizado y organizar la recogida o la devolución de su unidad después de que se hayan realizado las reparaciones. Si desconoce la ubicación de su concesionario de servicio Husqvarna autorizado más cercano, llame a Husqvarna al 1-800-487-5951 de 8:00 a.m. a 8:00 p.m., Hora Estándar del Este, o visite www.husqvarna.com. En caso de requerir asistencia o si tiene preguntas con respecto a esta Garantía limitada, puede comunicarse con nosotros al 800-487-5951 de 8:00 a.m. a 8:00 p.m., Hora Estándar del Este, o a través de Internet en www.husqvarna.com.

6. **Documentación requerida.** Debe conservar y presentar este Comprobante de compra (que incluya la fecha, el modelo del producto y, si corresponde, el número de serie del motor) a un concesionario de servicio Husqvarna autorizado para obtener el servicio de garantía bajo esta Garantía limitada. El comprobante de compra es responsabilidad exclusiva del propietario-cliente. Husqvarna le recomienda que registre su producto en línea en www.usa.husqvarna.com para ayudar a asegurar, entre otras cosas, que pueda ser notificado sobre información importante sobre el producto. Sin embargo, registrar el producto no es una condición del servicio de garantía.

Husqvarna Consumer Outdoor Products N.A., Inc.; Husqvarna Professional Products, Inc.

9335 Harris Corners Parkway Charlotte, NC 28269

575 49 43-01 R3 2010

Cuadro de garantía 2010 para productos con ruedas para consumidor

Anexo A

Producto/Componente	<i>Consumidor</i> (personal, uso doméstico únicamente)	<i>Comercial</i> (cualquier uso comercial, profesional, institucional, agrícola o que produzca ingresos, que no sea uso para alquiler)	<i>Alquiler</i> (cualquier uso para alquiler)
Tractores cortacésped:			
Bastidor, chasis, eje delantero	5 años	SIN GARANTÍA	SIN GARANTÍA
Motor*	*	*	*
Transmisión (si es fabricada por Husqvarna/Peerless)	3 años	SIN GARANTÍA	SIN GARANTÍA
Transmisión (si es de terceros)**	**	**	**
Batería	1 año, prorrateado	SIN GARANTÍA	SIN GARANTÍA
Otros componentes percederos	3 años	SIN GARANTÍA	SIN GARANTÍA
Carritos residenciales con radio de giro cero (RZ únicamente)			
Motor*	*	*	*
Transmisión **	**	SIN GARANTÍA	SIN GARANTÍA
Batería	1 año, prorrateado	SIN GARANTÍA	SIN GARANTÍA
Otros componentes percederos	3 años	SIN GARANTÍA	SIN GARANTÍA
Carritos residenciales con radio de giro cero (MZ y EZ)			
Motor*	*	*	*
Transmisión **	**	**	**
Batería	1 año, prorrateado	1 año, prorrateado	SIN GARANTÍA
Otros componentes percederos	3 años	1 año	SIN GARANTÍA
Bordeadora LE475			
Motor*	*	*	*
Otros componentes percederos	2 años	90 días	90 días
Cortadoras de césped operadas a pie			
Motor*	*	*	*
Batería	1 año, prorrateado	SIN GARANTÍA	SIN GARANTÍA
Otros componentes percederos	2 años	SIN GARANTÍA	SIN GARANTÍA
Quitanieves			
Motor*	*	*	*
Otros componentes percederos	2 años	90 días	90 días
Arados			
Motor*	*	*	*
Batería	1 año, prorrateado	SIN GARANTÍA	SIN GARANTÍA
Otros componentes percederos	2 años	SIN GARANTÍA	SIN GARANTÍA
Dientes de arado	***	SIN GARANTÍA	SIN GARANTÍA
Cortadoras con colchón de aire			
Motor*	*	*	*
Otros componentes percederos	2 años	1 año	90 días
	Consumidor	Comercial	Alquiler

* Ver la garantía separada del fabricante o del fabricante del motor

Motores LCT en quitanieves y arados específicos, garantía a través de Husqvarna.

** Ver la referencia 1 (b) de la declaración de garantía.

RZ - Dos (2) años de garantía al consumidor, partes y mano de obra, con red de distribuidores Hydro-Gear.

EZ - Un (1) año de garantía comercial, partes y mano de obra, con Husqvarna.

Dos (2) años de garantía al consumidor, partes y mano de obra, con red de distribuidores Hydro-Gear.

MZ - Dos (2) años de garantía comercial, partes y mano de obra, con red de distribuidores Hydro-Gear.

*** La "Garantía limitada de por vida" sobre los dientes de arado es por toda la vida del producto o 7 (siete) años después de la última fecha de la producción final de la unidad completa, lo que ocurra primero.

Cuadro de garantía 2010 para productos con ruedas para consumidor

Anexo A

Producto/Componente	<i>Consumidor</i> (personal, uso doméstico únicamente)	<i>Comercial</i> (cualquier uso comercial, profesional, institucional, agrícola o que produzca ingresos, que no sea uso para alquiler)	<i>Alquiler</i> (cualquier uso para alquiler)
Carritos para plataforma de montaje frontal			
Motor*	*	*	*
Transmisión	2 años	SIN GARANTÍA	SIN GARANTÍA
Batería	1 año, prorrateado	SIN GARANTÍA	SIN GARANTÍA
Otros componentes perecederos	2 años	SIN GARANTÍA	SIN GARANTÍA
Cultivadoras			
Batería	1 año, prorrateado	SIN GARANTÍA	SIN GARANTÍA
Otros componentes perecederos	2 años	SIN GARANTÍA	SIN GARANTÍA
Hidrolavadoras			
Modelo 5525PW:			
Motor*	*	*	*
Bomba	2 años	SIN GARANTÍA	SIN GARANTÍA
Otros componentes perecederos	2 años	SIN GARANTÍA	SIN GARANTÍA
Todas las otras hidrolavadoras (6027PW, 9032PW, 1340PW)			
Motor*	*	*	*
Bomba	2 años	2 años	SIN GARANTÍA
Otros componentes perecederos	2 años	2 años	SIN GARANTÍA
Generadores			
Motor*	*	*	*
Otros componentes perecederos*	*2 años (el 2º año, partes únicamente)	*2 años - 1365GN (el 2º año, partes únicamente)	SIN GARANTÍA
Esparcidoras			
Esparcidora	1 año	1 año	1 año
Cortadoras de césped robóticas			
Cortadora de césped robótica	2 años	90 días	90 días
Batería	1 año	1 año	1 año
Partes y accesorios (si se compran)			
Accesorios (por ejemplo trampa para césped, accesorios de protección para parachoques, etc.)	1 año	SIN GARANTÍA	SIN GARANTÍA
Partes (por ejemplo correas, hojas, etc.)	30 días	SIN GARANTÍA	SIN GARANTÍA
Partes y accesorios (si se cambian en el Servicio de garantía)			
Los repuestos y/o accesorios proporcionados bajo esta Garantía limitada se garantizan únicamente por el SALDO del período de garantía limitada aplicable a la parte o al accesorio que se cambió.	Ver a la izquierda	Ver a la izquierda	Ver a la izquierda
	Consumidor	Comercial	Alquiler

* Ver la garantía separada del fabricante o del fabricante del motor

Motores LCT en quitanieves y arados específicos, garantía a través de Husqvarna.

** Ver la referencia 1 (b) de la declaración de garantía.

RZ - Dos (2) años de garantía al consumidor, partes y mano de obra, con red de distribuidores Hydro-Gear.

EZ - Un (1) año de garantía comercial, partes y mano de obra, con Husqvarna.

Dos (2) años de garantía al consumidor, partes y mano de obra, con red de distribuidores Hydro-Gear.

MZ - Dos (2) años de garantía comercial, partes y mano de obra, con red de distribuidores Hydro-Gear.

*** La "Garantía limitada de por vida" sobre los dientes de arado es por toda la vida del producto o 7 (siete) años después de la última fecha de la producción final de la unidad completa, lo que ocurra primero.

SERVICE NOTES / AVISO

08/16/2011 TH