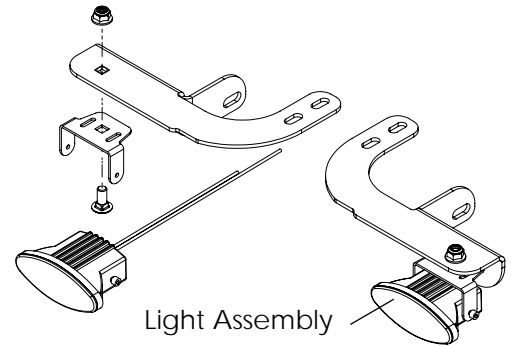


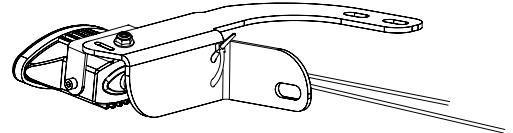
INSTALLATION INSTRUCTIONS

LIGHT KIT - 539 132388

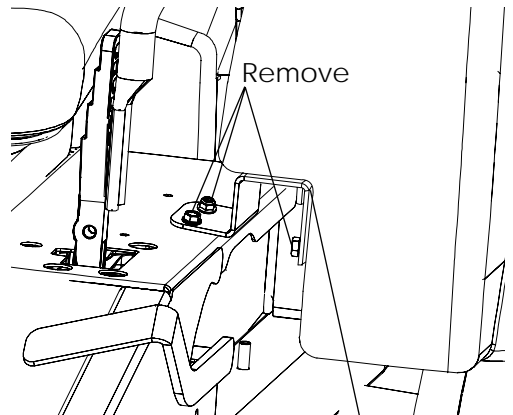
1. From trim kit, locate the right and left light brackets. Bolt light assemblies to each bracket as shown in the illustration.



2. Using the kit wire tie, secure the light wiring to the light brackets through the rear bracket holes. Plug wiring into kit pigtail.



3. On left hand side fuel tank front, remove the hardware holding the tank support. Retain the hardware for reuse.



4. Position light assembly above tank support and secure both to tank and frame with hardware removed in Step 3. See illustration.
5. Plug light wiring/pigtail into outlet on frame. (Not visible in illustration.)
6. Repeat instructions for right side of mower.

