

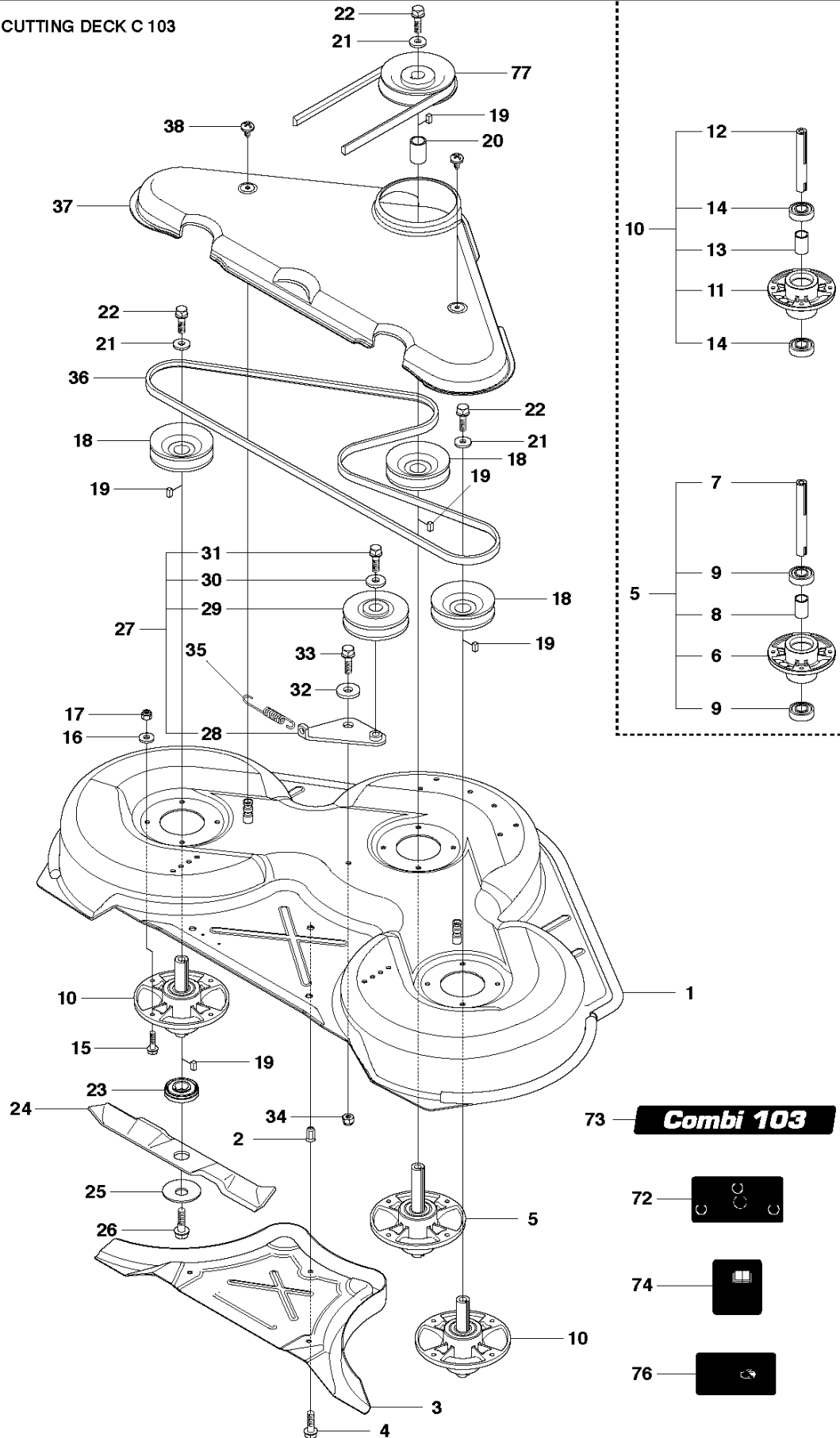


SPARE PARTS LIST

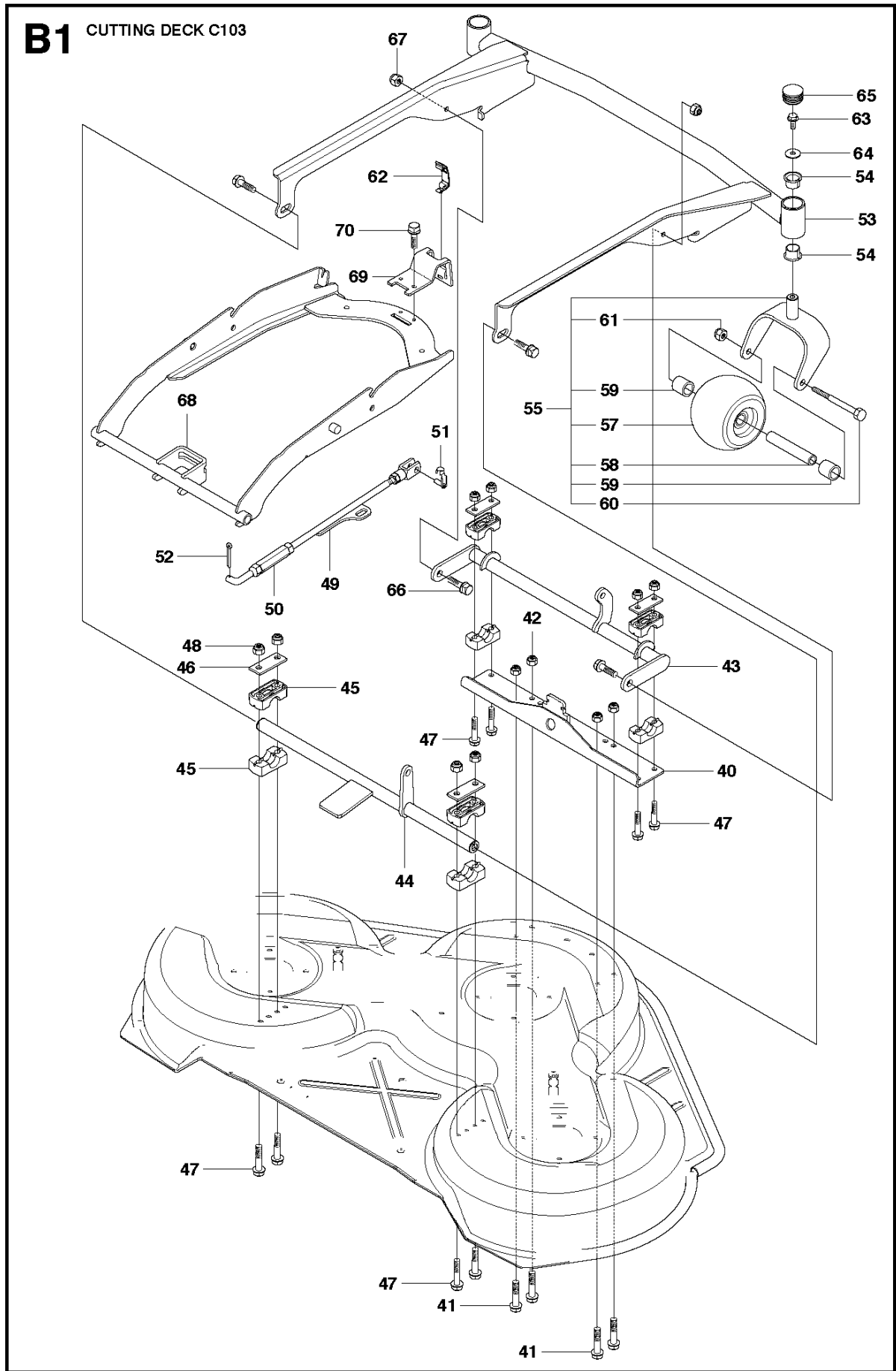
RIDERS

R320 AWD, 966757401, 967151701, 2012

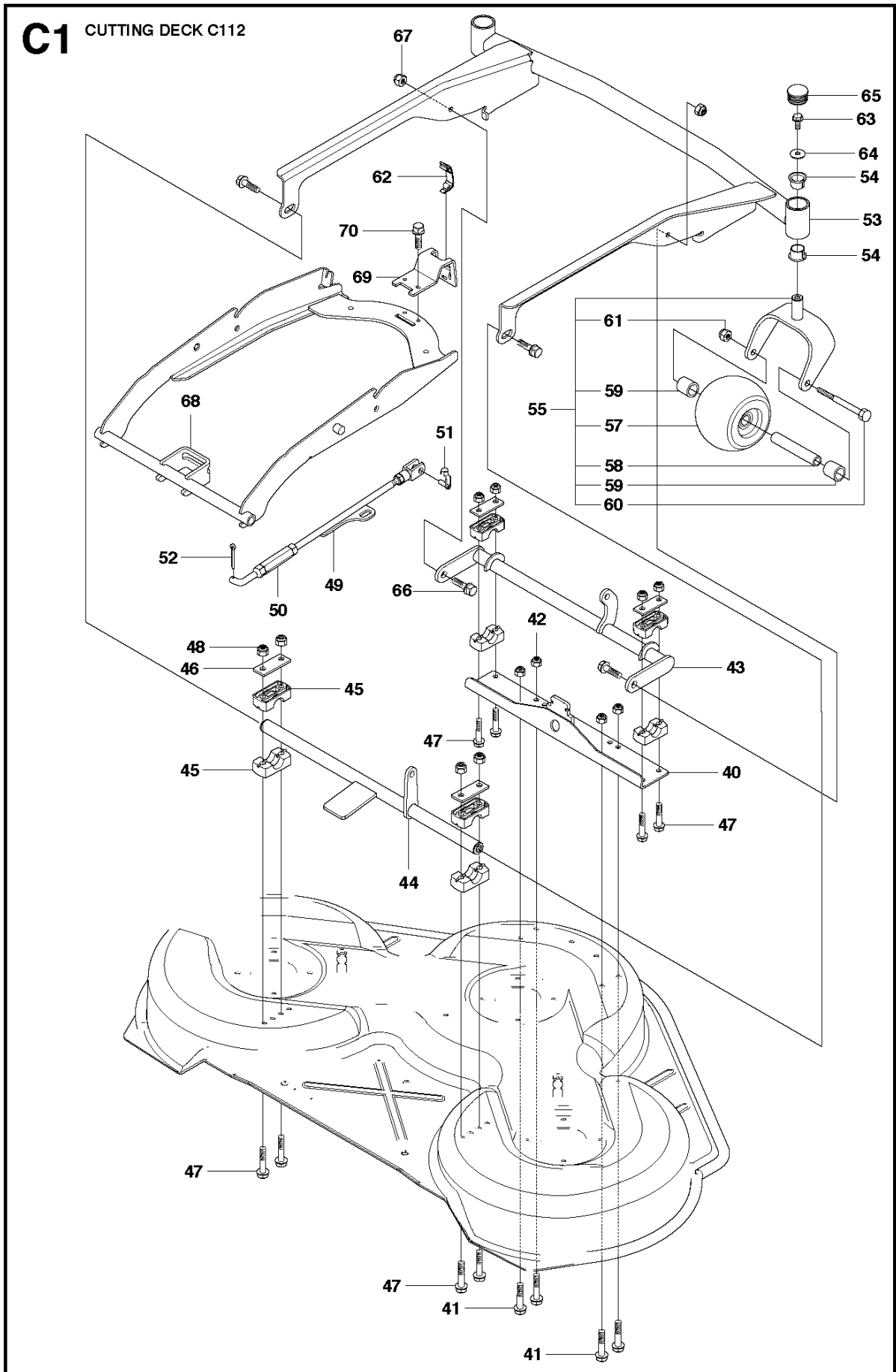
B2 CUTTING DECK C 103



| Ref | Part No | Description | Remark | QTY | KIT |
|-----|--------------|---------------------|--------|-----|-----|
| 1 | 504 56 98-05 | DECK SHELL ASSY | | 1 | |
| 2 | 506 91 62-01 | BLIND RIVET NUT | | 3 | |
| 3 | 544 44 92-01 | PLUG | | 1 | |
| 4 | 506 57 01-04 | SCREW EHHFM | | 3 | |
| 5 | 576 38 41-03 | BLADE HOUSING ASSY | | 1 | |
| 6 | 576 38 42-01 | BEARING HOUSING | | 1 | 5 |
| 7 | 576 38 43-03 | SHAFT | | 1 | 5 |
| 8 | 576 38 44-01 | SPACING SLEEVE | | 1 | 5 |
| 9 | 738 23 04-34 | BALL BEARING | | 2 | 5 |
| 10 | 576 38 41-02 | BLADE HOUSING ASSY | | 2 | |
| 11 | 576 38 42-01 | BEARING HOUSING | | 1 | 10 |
| 12 | 576 38 43-02 | SHAFT | | 1 | 10 |
| 13 | 576 38 44-01 | SPACING SLEEVE | | 1 | 10 |
| 14 | 738 23 04-34 | BALL BEARING | | 2 | 10 |
| 15 | 535 42 38-01 | SCREW RSQM | | 12 | |
| 16 | 734 11 64-01 | WASHER | | 12 | |
| 17 | 732 21 18-01 | LOCK NUT | | 12 | |
| 18 | 506 92 21-01 | PULLEY | | 3 | |
| 19 | 506 53 35-01 | PARALLEL KEY | | 7 | |
| 20 | 544 06 80-03 | SPACING SLEEVE | | 1 | |
| 21 | 734 11 74-41 | WASHER | | 3 | |
| 22 | 544 11 41-01 | SCREW EHHM | | 3 | |
| 23 | 535 50 42-02 | BLADE BRACKET | | 3 | |
| 24 | 504 18 82-01 | RIDE ON BLADE | | 3 | |
| 25 | 506 79 23-01 | KNIFE PLATE | | 3 | |
| 26 | 544 11 41-01 | SCREW EHHM | | 3 | |
| 27 | 506 54 07-01 | BELT TENSIONER ASSY | | 1 | |
| 28 | 506 51 95-01 | SPÄNNARM KPL. | | 1 | 27 |
| 29 | 506 53 27-01 | PULLEY | | 1 | 27 |
| 30 | 734 11 64-41 | WASHER | | 1 | 27 |
| 31 | 506 55 83-02 | SCREW EHHFT | | 1 | 27 |
| 32 | 506 91 87-02 | WASHER | | 1 | |
| 33 | 725 24 51-71 | SCREW EHHM | | 1 | |
| 34 | 732 21 18-01 | LOCK NUT | | 1 | |
| 35 | 506 53 31-01 | SPRING | | 1 | |
| 36 | 506 76 85-01 | DRIVE BELT | | 1 | |
| 37 | 544 09 61-01 | BELT COVER | | 1 | |
| 38 | 544 40 05-01 | SCREW | | 2 | |
| 72 | 506 78 97-01 | LABEL | | 1 | |
| 73 | 544 23 81-03 | LABEL | | 1 | |
| 74 | 506 92 90-01 | LABEL | | 1 | |
| 76 | 574 51 00-01 | DECAL | | 1 | |
| 77 | 506 77 86-01 | PULLEY | | 1 | |

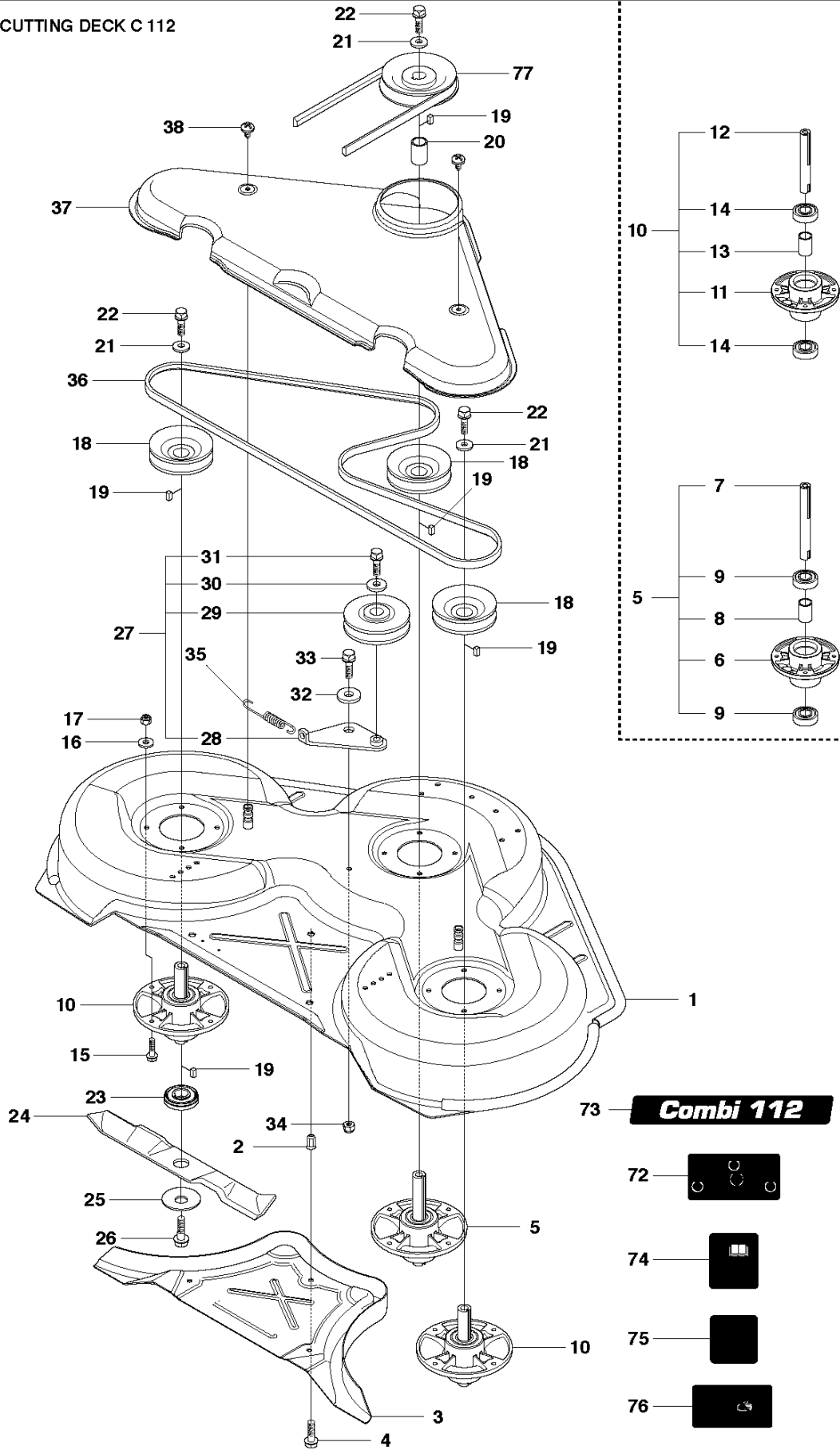


| Ref | Part No | Description | Remark | QTY | KIT |
|-----|--------------|--------------------|--------|-----|-----|
| 40 | 523 09 53-01 | BRACKET | | 1 | |
| 41 | 725 24 51-71 | SCREW EHHM | | 5 | |
| 42 | 732 21 18-01 | LOCK NUT | | 4 | |
| 43 | 502 64 18-05 | CROSS BAR | | 1 | |
| 44 | 523 09 45-03 | CROSS BAR | | 1 | |
| 45 | 506 86 96-01 | BEARING | | 8 | |
| 46 | 506 81 38-01 | REINFORCING PLATE | | 4 | |
| 47 | 725 24 61-51 | SCREW EHHM | | 8 | |
| 48 | 732 21 18-01 | LOCK NUT | | 8 | |
| 49 | 523 11 42-01 | PARALLELL ROD ASSY | | 1 | |
| 50 | 502 64 23-01 | PARALLEL ROD | | 1 | |
| 51 | 506 83 98-01 | GAFFELLÄNK | | 1 | |
| 52 | 721 61 83-01 | SPLIT PIN | | 1 | |
| 53 | 523 08 65-03 | DECK FRAME | | 1 | |
| 54 | 574 56 19-01 | BEARING | | 4 | |
| 55 | 574 21 01-01 | PIVOT WHEEL ASSY | | 2 | |
| 57 | 506 96 30-01 | WHEEL ASSY | | 1 | 55 |
| 58 | 506 81 08-02 | WHEEL AXLE TUBE | | 1 | 55 |
| 59 | 506 87 41-02 | SPACER | | 2 | 55 |
| 60 | 725 25 19-51 | SCREW EHHM | | 1 | 55 |
| 61 | 732 21 20-51 | NUT | | 1 | 55 |
| 62 | 503 89 47-03 | SNAP | | 1 | |
| 63 | 506 57 01-04 | SCREW EHHFM | | 2 | |
| 64 | 734 11 64-41 | WASHER | | 2 | |
| 65 | 574 03 48-01 | PLUG | | 2 | |
| 66 | 506 59 74-01 | COLLAR SCREW | | 4 | |
| 67 | 732 21 18-01 | LOCK NUT | | 2 | |
| 68 | 523 08 75-01 | DECK ATTACHMENT | | 1 | |
| 69 | 523 11 46-01 | LOCK | | 1 | |
| 70 | 725 23 68-61 | SCREW EHHFT | | 2 | |



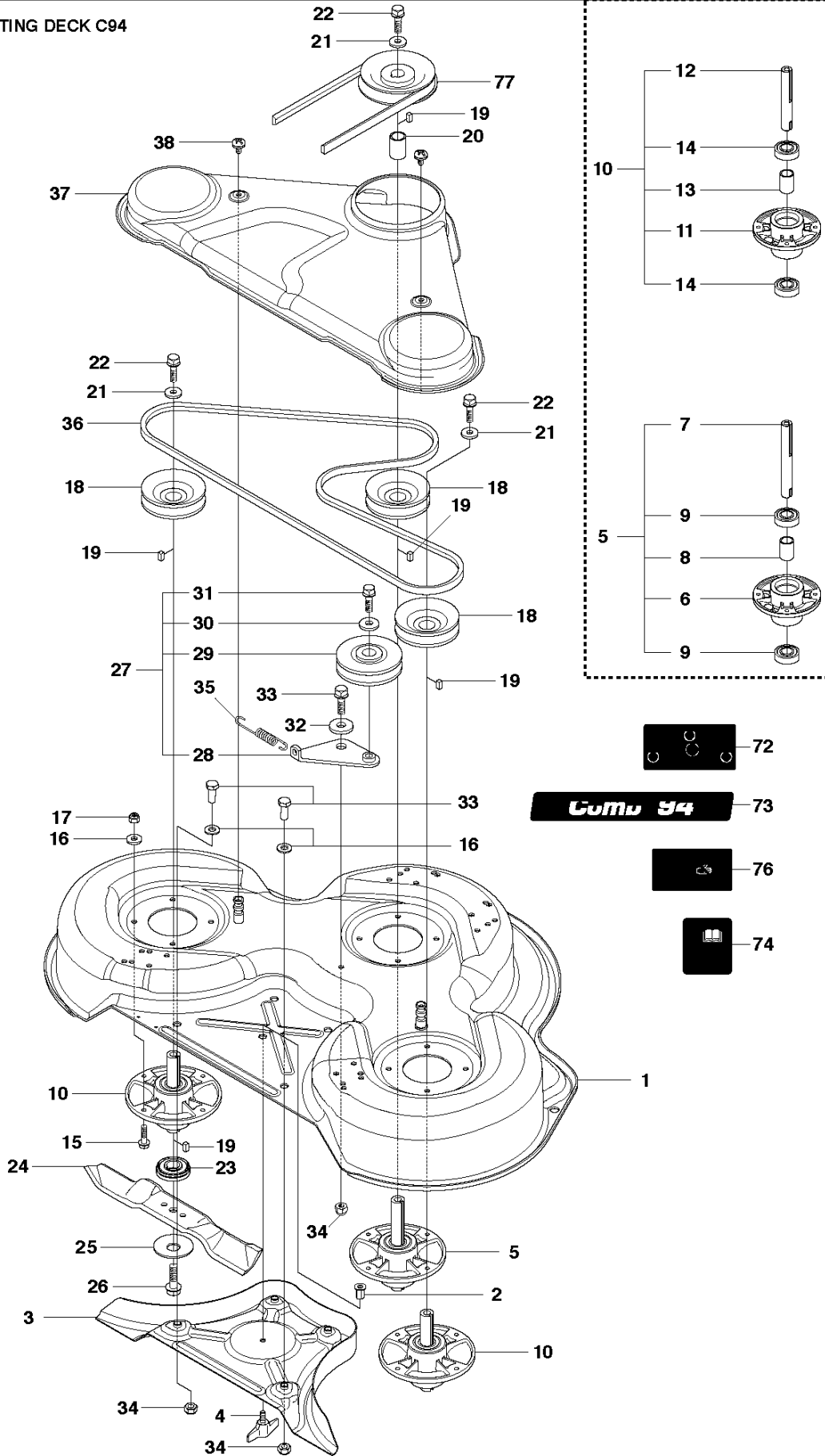
| Ref | Part No | Description | Remark | QTY | KIT |
|-----|--------------|--------------------|--------|-----|-----|
| 40 | 523 09 53-01 | BRACKET | | 1 | |
| 41 | 725 24 51-71 | SCREW EHHM | | 4 | |
| 42 | 732 21 18-01 | LOCK NUT | | 4 | |
| 43 | 502 64 18-05 | CROSS BAR | | 1 | |
| 44 | 523 09 45-03 | CROSS BAR | | 1 | |
| 45 | 506 86 96-01 | BEARING | | 8 | |
| 46 | 506 81 38-01 | REINFORCING PLATE | | 4 | |
| 47 | 725 24 61-51 | SCREW EHHM | | 8 | |
| 48 | 732 21 18-01 | LOCK NUT | | 8 | |
| 49 | 523 11 42-01 | PARALLELL ROD ASSY | | 1 | |
| 50 | 502 64 23-01 | PARALLEL ROD | | 1 | |
| 51 | 506 83 98-01 | GAFFELLÄNK | | 1 | |
| 52 | 721 61 83-01 | SPLIT PIN | | 1 | |
| 53 | 523 08 65-03 | DECK FRAME | | 1 | |
| 54 | 574 56 19-01 | BEARING | | 4 | |
| 55 | 574 21 01-01 | PIVOT WHEEL ASSY | | 2 | |
| 57 | 506 96 30-01 | WHEEL ASSY | | 1 | 55 |
| 58 | 506 81 08-02 | WHEEL AXLE TUBE | | 1 | 55 |
| 59 | 506 87 41-02 | SPACER | | 2 | 55 |
| 60 | 725 25 19-51 | SCREW EHHM | | 1 | 55 |
| 61 | 732 21 20-51 | NUT | | 1 | 55 |
| 62 | 503 89 47-03 | SNAP | | 1 | |
| 63 | 506 57 01-04 | SCREW EHHFM | | 2 | |
| 64 | 734 11 64-41 | WASHER | | 2 | |
| 65 | 574 03 48-01 | PLUG | | 2 | |
| 66 | 506 59 74-01 | COLLAR SCREW | | 4 | |
| 67 | 732 21 18-01 | LOCK NUT | | 2 | |
| 68 | 523 08 75-01 | DECK ATTACHMENT | | 1 | |
| 69 | 523 11 46-01 | LOCK | | 1 | |
| 70 | 725 23 68-61 | SCREW EHHFT | | 2 | |

C2 CUTTING DECK C 112



| Ref | Part No | Description | Remark | QTY | KIT |
|-----|--------------|---------------------|--------|-----|-----|
| 1 | 574 20 95-01 | CUTTING DECK | | 1 | |
| 2 | 506 91 62-01 | BLIND RIVET NUT | | 3 | |
| 3 | 544 44 93-01 | PLUG | | 1 | |
| 4 | 506 57 01-04 | SCREW EHHFM | | 3 | |
| 5 | 576 38 41-01 | BLADE HOUSING ASSY | | 1 | |
| 6 | 576 38 42-01 | BEARING HOUSING | | 1 | 5 |
| 7 | 576 38 43-01 | SHAFT | | 1 | 5 |
| 8 | 576 38 44-01 | SPACING SLEEVE | | 1 | 5 |
| 9 | 738 23 04-34 | BALL BEARING | | 2 | 5 |
| 10 | 576 38 41-02 | BLADE HOUSING ASSY | | 2 | |
| 11 | 576 38 42-01 | BEARING HOUSING | | 1 | 10 |
| 12 | 576 38 43-02 | SHAFT | | 1 | 10 |
| 13 | 576 38 44-01 | SPACING SLEEVE | | 1 | 10 |
| 14 | 738 23 04-34 | BALL BEARING | | 2 | 10 |
| 15 | 535 42 38-01 | SCREW RSQM | | 12 | |
| 16 | 734 11 64-01 | WASHER | | 12 | |
| 17 | 732 21 18-01 | LOCK NUT | | 12 | |
| 18 | 506 92 21-01 | PULLEY | | 3 | |
| 19 | 506 53 35-01 | PARALLEL KEY | | 7 | |
| 20 | 544 06 80-02 | SPACING SLEEVE | | 1 | |
| 21 | 734 11 74-41 | WASHER | | 3 | |
| 22 | 544 11 41-01 | SCREW EHHM | | 3 | |
| 23 | 535 50 42-02 | BLADE BRACKET | | 3 | |
| 24 | 544 10 28-01 | RIDE ON BLADE | | 3 | |
| 25 | 506 79 23-01 | KNIFE PLATE | | 3 | |
| 26 | 544 11 41-01 | SCREW EHHM | | 3 | |
| 27 | 506 54 07-01 | BELT TENSIONER ASSY | | 1 | |
| 28 | 506 51 95-01 | SPÄNNARM KPL. | | 1 | 27 |
| 29 | 506 53 27-01 | PULLEY | | 1 | 27 |
| 30 | 734 11 64-41 | WASHER | | 1 | 27 |
| 31 | 506 55 83-02 | SCREW EHHFT | | 1 | 27 |
| 32 | 506 91 87-02 | WASHER | | 1 | |
| 33 | 725 24 51-71 | SCREW EHHM | | 1 | |
| 34 | 732 21 18-01 | LOCK NUT | | 1 | |
| 35 | 506 53 31-01 | SPRING | | 1 | |
| 36 | 535 41 19-01 | BELT | | 1 | |
| 37 | 544 09 62-01 | BELT COVER | | 1 | |
| 38 | 544 40 05-01 | SCREW | | 2 | |
| 72 | 506 78 97-01 | LABEL | | 1 | |
| 73 | 544 23 81-05 | LABEL | | 2 | |
| 74 | 506 92 90-01 | LABEL | | 1 | |
| 75 | 535 43 74-01 | LABEL WARNING | | 1 | |
| 76 | 574 51 00-01 | DECAL | | 2 | |
| 77 | 506 77 86-01 | PULLEY | | 1 | |

A2 CUTTING DECK C94



94CM CUTTING DECK

R320 AWD, 966757401, 967151701, 2012

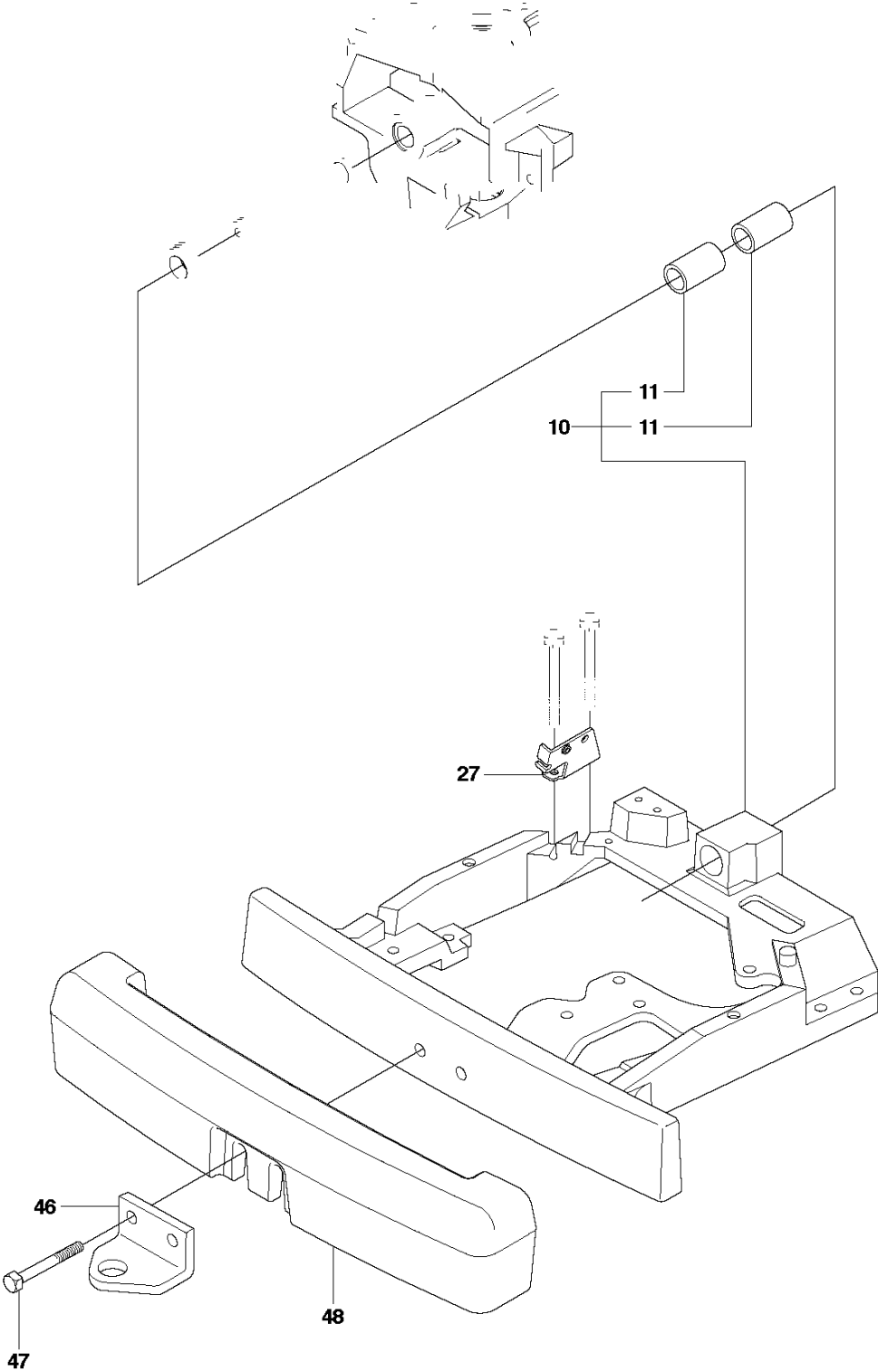
| Ref | Part No | Description | Remark | QTY | KIT |
|-----|--------------|----------------------|--------|-----|-----|
| 1 | 544 06 57-04 | CUTTING DECK | | 1 | |
| 2 | 544 06 55-06 | DECK SHELL ASSY | | 1 | 1 |
| 3 | 506 91 62-01 | BLIND RIVET NUT | | 1 | 1 |
| 4 | 544 06 58-01 | PLUG | | 1 | 1 |
| 5 | 544 06 61-01 | KNOB | | 1 | 1 |
| 6 | 576 38 41-02 | BLADE HOUSING ASSY | | 2 | |
| 7 | 576 38 43-02 | SHAFT | | 1 | 6 |
| 8 | 738 23 04-34 | BALL BEARING | | 2 | 6 |
| 9 | 576 38 44-01 | SPACING SLEEVE | | 1 | 6 |
| 10 | 576 38 42-01 | BEARING HOUSING | | 1 | 6 |
| 11 | 576 38 41-03 | BLADE HOUSING ASSY | | 1 | |
| 12 | 576 38 43-03 | SHAFT | | 1 | 11 |
| 13 | 738 23 04-34 | BALL BEARING | | 2 | 11 |
| 14 | 576 38 44-01 | SPACING SLEEVE | | 1 | 11 |
| 15 | 576 38 42-01 | BEARING HOUSING | | 1 | 11 |
| 16 | 535 42 38-01 | SCREW RSQM | | 12 | |
| 17 | 734 11 64-01 | WASHER | | 12 | |
| 18 | 732 21 18-01 | LOCK NUT | | 12 | 1 |
| 19 | 506 92 21-01 | PULLEY | | 3 | |
| 20 | 506 53 35-01 | PARALLEL KEY | | 4 | |
| 21 | 544 06 80-03 | SPACING SLEEVE | | 1 | |
| 22 | 506 77 86-01 | PULLEY | | 1 | |
| 23 | 734 11 74-41 | WASHER | | 3 | |
| 24 | 505 54 45-01 | RIDE ON BLADE | | 3 | |
| 25 | 544 06 49-01 | BLADE BRACKET | | 3 | |
| 26 | 506 67 54-02 | SCREW EHHFM | | 3 | |
| 27 | 506 67 54-02 | SCREW EHHFM | | 3 | |
| 28 | 506 79 73-01 | BELT TENSIONER ASSY | | 1 | |
| 29 | 506 79 71-01 | SPÄNNARM KPL. | | 1 | 28 |
| 30 | 506 79 32-01 | BELT TENSIONER WHEEL | | 1 | 28 |
| 31 | 734 11 64-41 | WASHER | | 1 | 28 |
| 32 | 506 55 83-02 | SCREW EHHFT | | 1 | 28 |
| 33 | 506 91 87-02 | WASHER | | 1 | |
| 34 | 725 24 51-71 | SCREW EHHM | | 3 | |
| 35 | 506 53 31-01 | SPRING | | 1 | |
| 36 | 506 53 31-01 | SPRING | | 1 | |
| 37 | 505 20 86-01 | BELT | | 1 | |
| 38 | 522 82 19-01 | BELT COVER | | 1 | |
| 77 | 506 77 86-01 | PULLEY | | 1 | |
| 72 | 506 78 97-01 | LABEL | | 1 | |
| 73 | 544 23 81-01 | LABEL | | 2 | |
| 74 | 506 92 90-01 | LABEL | | 1 | |
| 76 | 574 51 00-01 | DECAL | | 2 | |

94CM CUTTING DECK

R320 AWD, 966757401, 967151701, 2012

| Ref | Part No | Description | Remark | QTY KIT |
|-----|--------------|---------------------|--------|---------|
| 40 | 544 22 07-01 | CROSS BAR | | 1 |
| 41 | 544 22 59-01 | CROSS BAR | | 1 |
| 42 | 506 86 96-01 | BEARING | | 8 |
| 43 | 506 81 38-01 | REINFORCING PLATE | | 2 |
| 44 | 578 85 61-01 | BRACKET | | 1 |
| 45 | 506 86 96-01 | BEARING | | 8 |
| 46 | 506 81 38-01 | REINFORCING PLATE | | 4 |
| 47 | 725 24 61-51 | SCREW EHHM | | 8 |
| 48 | 732 21 18-01 | LOCK NUT | | 10 |
| 49 | 544 22 69-01 | PARALLEL ROD | | 1 |
| 50 | 544 45 14-01 | PARALLEL ROD | | 1 |
| 51 | 544 45 15-01 | ADJUSTING ROD | | 1 |
| 52 | 506 89 76-01 | NUT | | 1 |
| 53 | 731 23 20-51 | HEXAGON NUT | | 1 |
| 54 | 574 56 19-01 | BEARING | | 1 |
| 55 | 574 21 01-01 | PIVOT WHEEL ASSY | | 1 |
| 57 | 735 31 13-20 | E-CLIP | | 1 |
| 58 | 506 59 74-01 | COLLAR SCREW | | 4 |
| 59 | 732 21 18-01 | LOCK NUT | | 4 |
| 60 | 506 96 30-01 | WHEEL ASSY | | 2 |
| 61 | 535 46 41-01 | WASHER | | 4 |
| 62 | 735 31 17-00 | CIRCLIP | | 2 |
| 63 | 578 17 67-01 | BELT TENSIONER ASSY | | 1 |
| 64 | 506 97 68-01 | SPRING | | 1 |
| 65 | 506 99 20-01 | PIPE | | 1 |
| 66 | 725 24 60-51 | SCREW EHHM | | 1 |
| 67 | 734 11 64-41 | WASHER | | 1 |
| 68 | 544 36 24-01 | SCREW | | 2 |
| 69 | 503 89 47-03 | SNAP | | 1 |
| 70 | 725 23 68-61 | SCREW EHHFT | | 2 |

J1 R320 AWD
CHASSIS, REAR

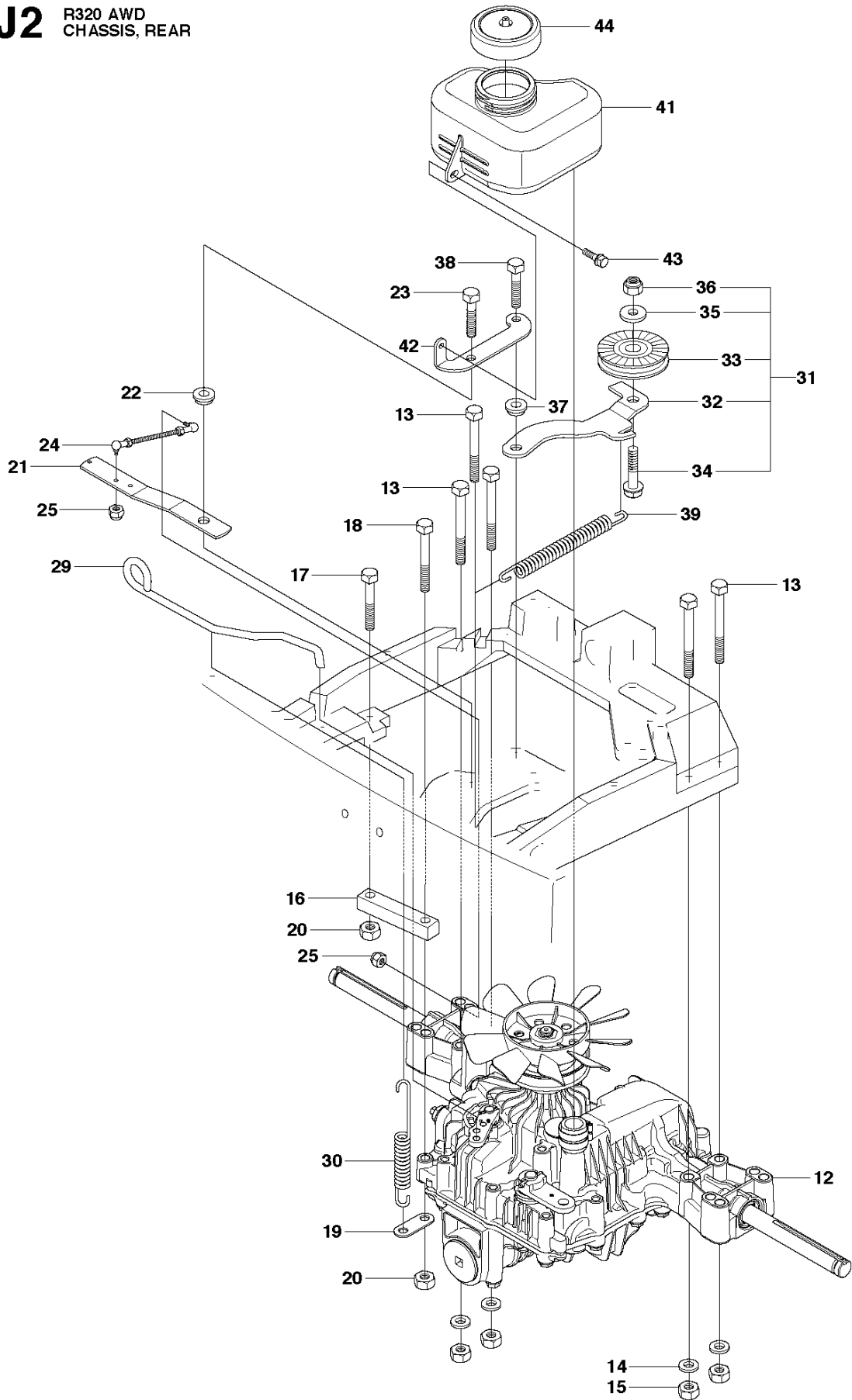


CHASSIS / FRAME

R320 AWD, 966757401, 967151701, 2012

| Ref | Part No | Description | Remark | QTY KIT |
|-----|--------------|---------------|--------|---------|
| 10 | 535 40 60-01 | BRACKET ASSY | | 1 |
| 11 | 506 98 61-02 | GLIDLAGER | | 2 |
| 27 | 544 26 21-01 | BRACKET | | 1 |
| 46 | 506 88 99-01 | HITCH | | 1 |
| 47 | 725 25 00-51 | SCREW EHHM | | 2 |
| 48 | 544 03 96-02 | COUNTERWEIGHT | | 1 |

J2 R320 AWD
CHASSIS, REAR

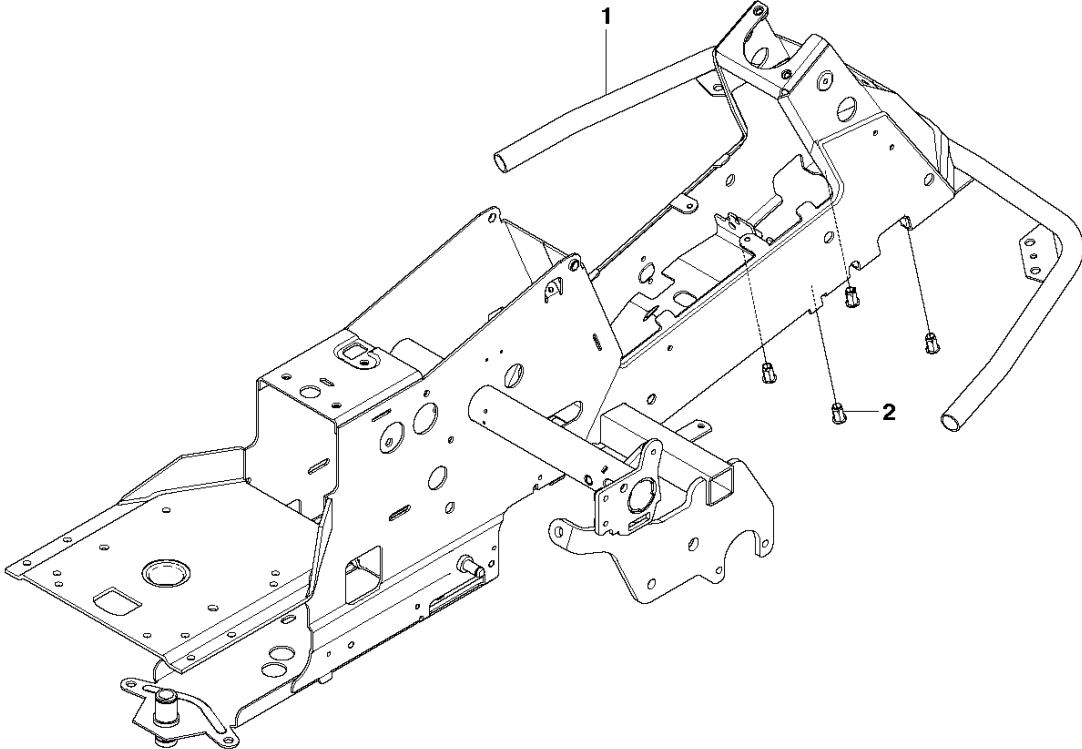


CHASSIS / FRAME

R320 AWD, 966757401, 967151701, 2012

| Ref | Part No | Description | Remark | QTY | KIT |
|-----|--------------|----------------------|--------|-----|-----|
| 12 | 544 11 61-01 | TRANSMISSION | | 1 | |
| 13 | 725 24 67-51 | SCREW EHHM | | 5 | |
| 14 | 734 11 64-01 | WASHER | | 4 | |
| 15 | 731 23 18-01 | HEXAGON NUT | | 4 | |
| 16 | 506 98 72-01 | MOMENTFÄSTE | | 1 | |
| 17 | 725 24 59-51 | SCREW EHHM | | 1 | |
| 18 | 725 24 62-51 | SCREW EHHM | | 1 | |
| 19 | 506 59 93-01 | LINK | | 1 | |
| 20 | 731 23 18-01 | HEXAGON NUT | | 2 | |
| 21 | 506 98 74-03 | LEVER | | 1 | |
| 22 | 506 91 87-02 | WASHER | | 1 | |
| 23 | 725 24 51-71 | SCREW EHHM | | 1 | |
| 24 | 506 98 75-01 | ADJUSTING ROD | | 1 | |
| 25 | 732 21 14-01 | LOCK NUT | | 2 | |
| 29 | 506 98 82-01 | FRIKOPPLINGSSTÅNG | | 1 | |
| 30 | 506 83 43-01 | SPRING | | 1 | |
| 31 | 506 98 84-01 | BELT TENSIONER ASSY | | 1 | |
| 32 | 506 98 85-01 | BELT TENSIONER | | 1 | 31 |
| 33 | 506 94 69-01 | BELT TENS WHEEL ASSY | | 1 | 31 |
| 34 | 725 24 55-51 | SCREW | | 1 | 31 |
| 35 | 734 11 64-41 | WASHER | | 1 | 31 |
| 36 | 732 21 18-01 | LOCK NUT | | 1 | 31 |
| 37 | 506 91 87-02 | WASHER | | 1 | |
| 38 | 725 24 51-71 | SCREW EHHM | | 1 | |
| 39 | 506 98 86-01 | SPRING | | 1 | |
| 41 | 544 10 01-01 | EXPANSION TANK | | 1 | |
| 42 | 544 12 17-01 | BRACKET | | 1 | |
| 43 | 725 23 64-61 | SCREW EHHFT | | 1 | |
| 44 | 506 67 33-01 | TANK CAP ASSY | | 1 | |

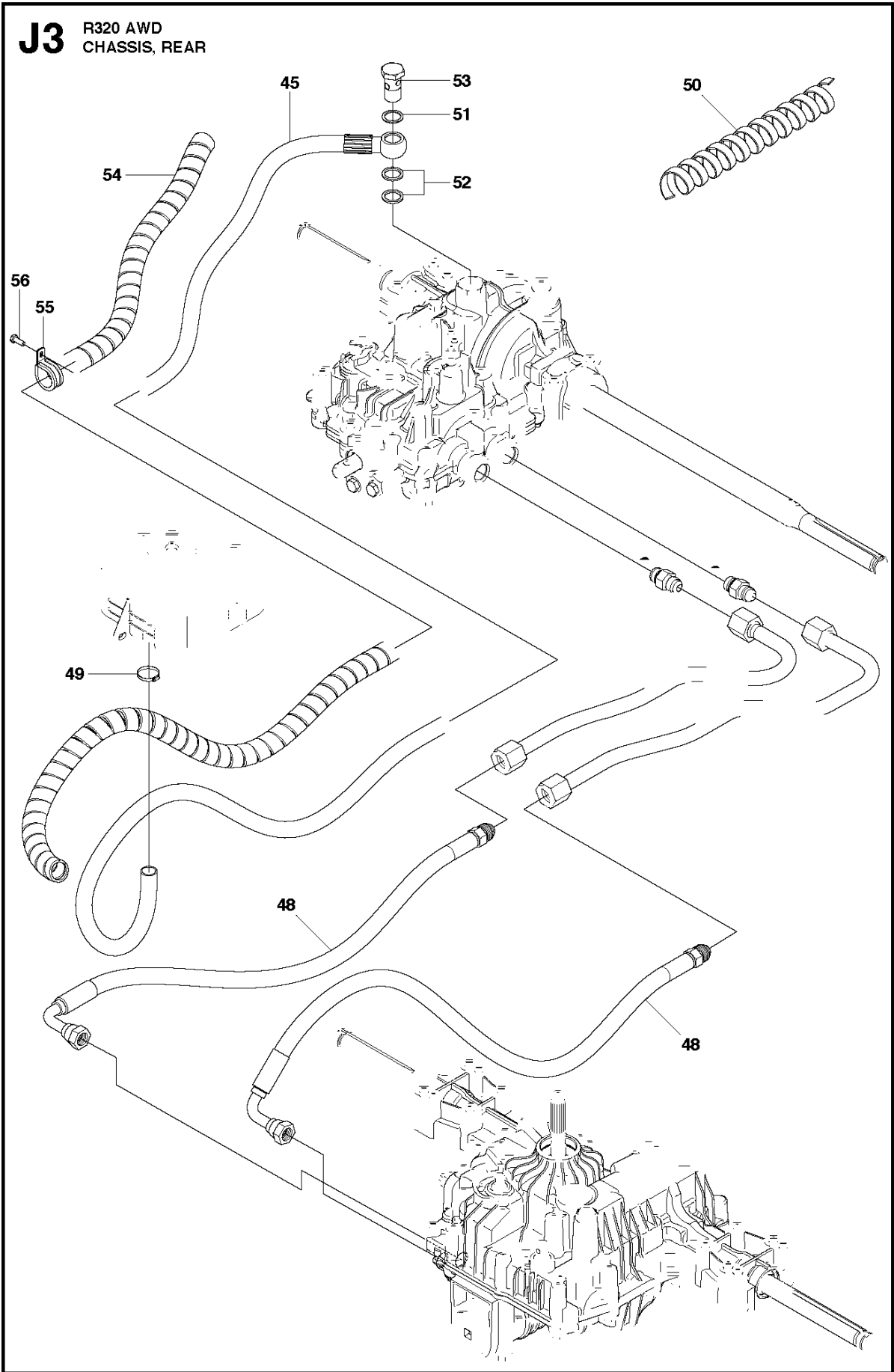
F R320 AWD
CHASSIS



CHASSIS / FRAME

R320 AWD, 966757401, 967151701, 2012

| Ref | Part No | Description | Remark | QTY KIT |
|-----|--------------|-----------------|--------|---------|
| 1 | 577 93 91-01 | CHASSIS | | 1 |
| 2 | 506 91 62-01 | BLIND RIVET NUT | | 4 |

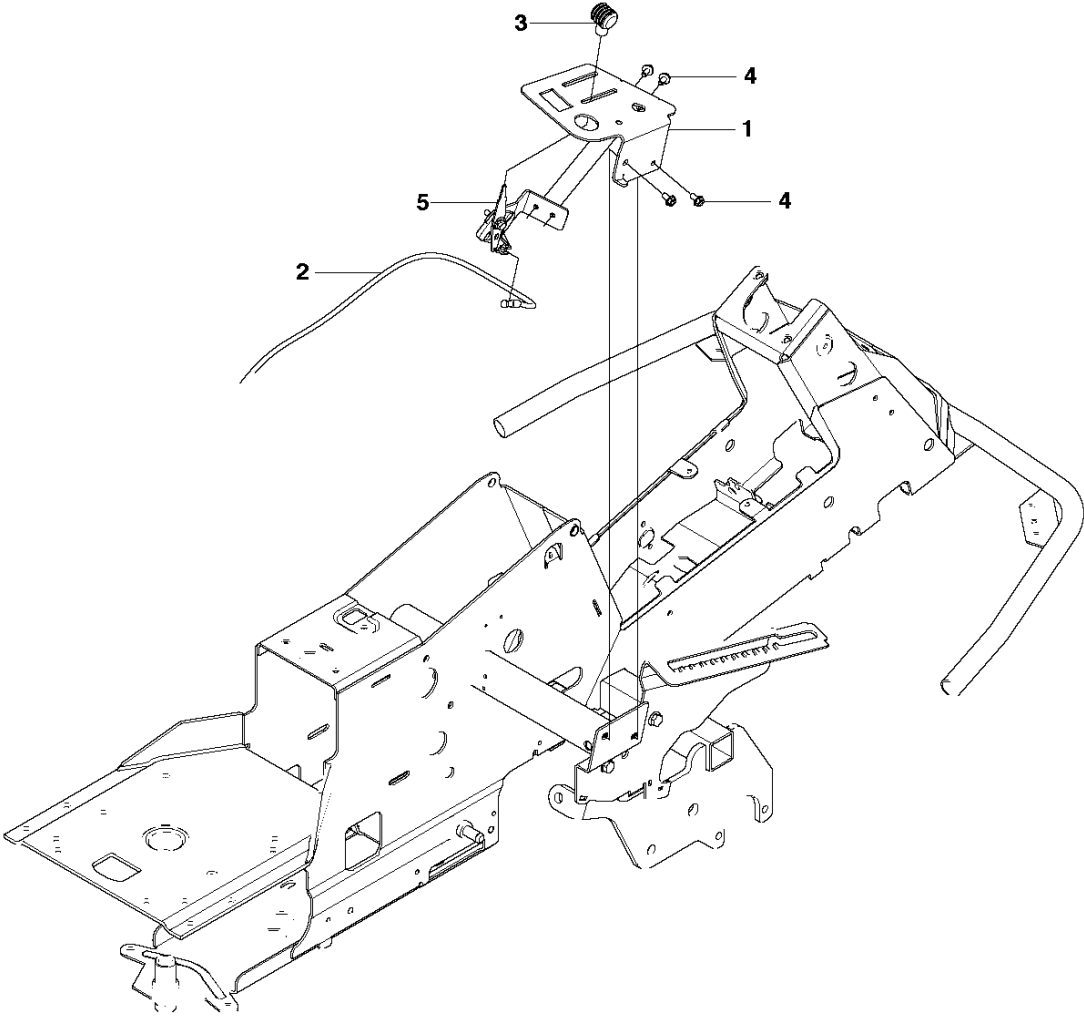


CHASSIS / FRAME

R320 AWD, 966757401, 967151701, 2012

| Ref | Part No | Description | Remark | QTY KIT |
|-----|--------------|----------------|--------|---------|
| 45 | 578 29 50-03 | HYDRAULIC HOSE | | 1 |
| 48 | 544 45 64-03 | HYDRAULIC HOSE | | 2 |
| 49 | 505 13 11-01 | HOSE CLAMP | | 1 |
| 50 | 544 02 66-01 | HOSE GUARD | | 1 |
| 51 | 544 01 00-01 | GASKET | | 1 |
| 52 | 544 01 00-03 | GASKET | | 2 |
| 53 | 544 02 05-01 | PIPE FITTING | | 1 |
| 54 | 544 02 66-07 | HOSE GUARD | | 1 |
| 55 | 574 53 12-01 | HOSE CLAMP | | 1 |
| 56 | 725 23 68-61 | SCREW EHHFT | | 1 |

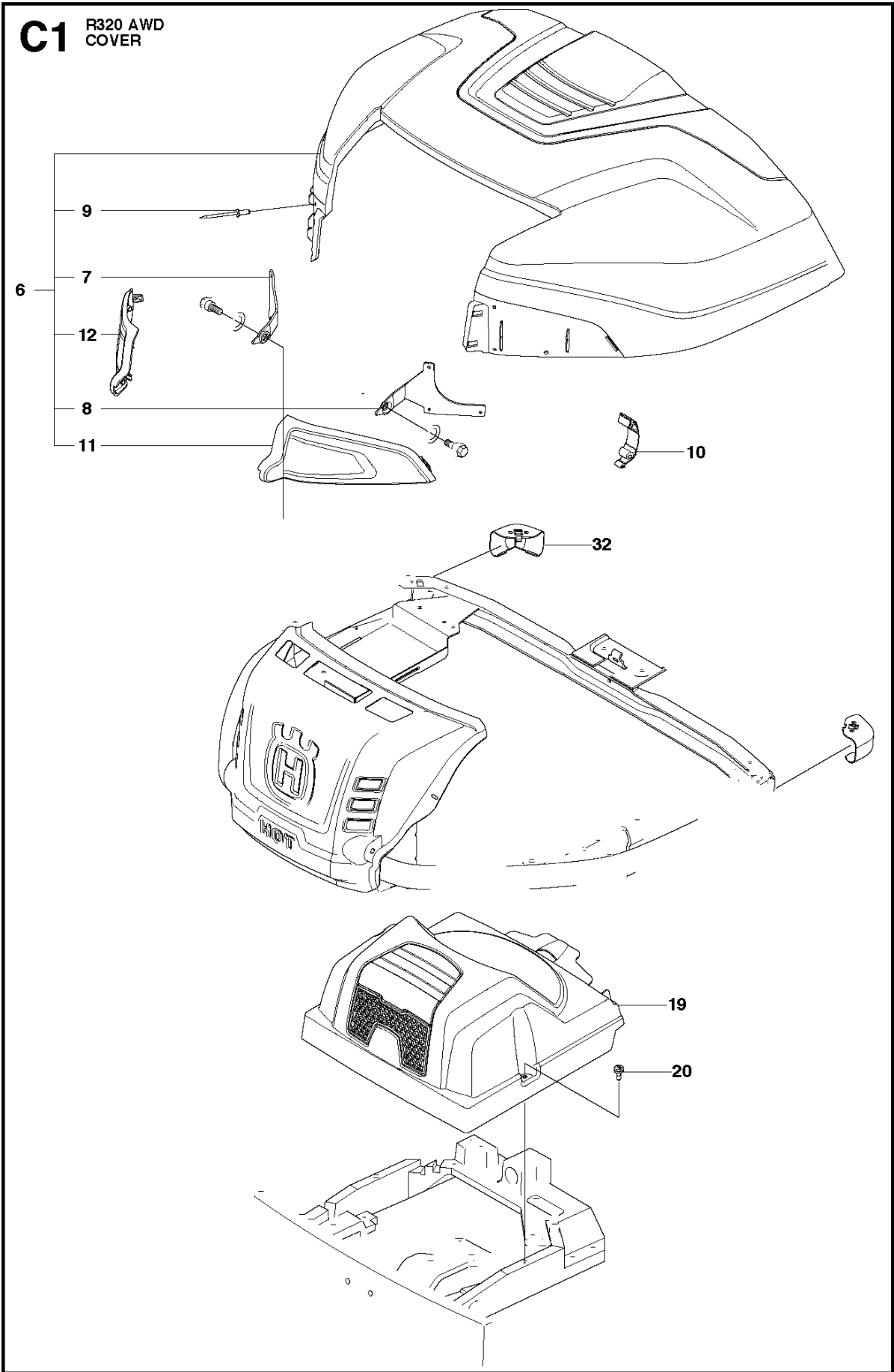
N R320 AWD
CONTROLS



CONTROLS

R320 AWD, 966757401, 967151701, 2012

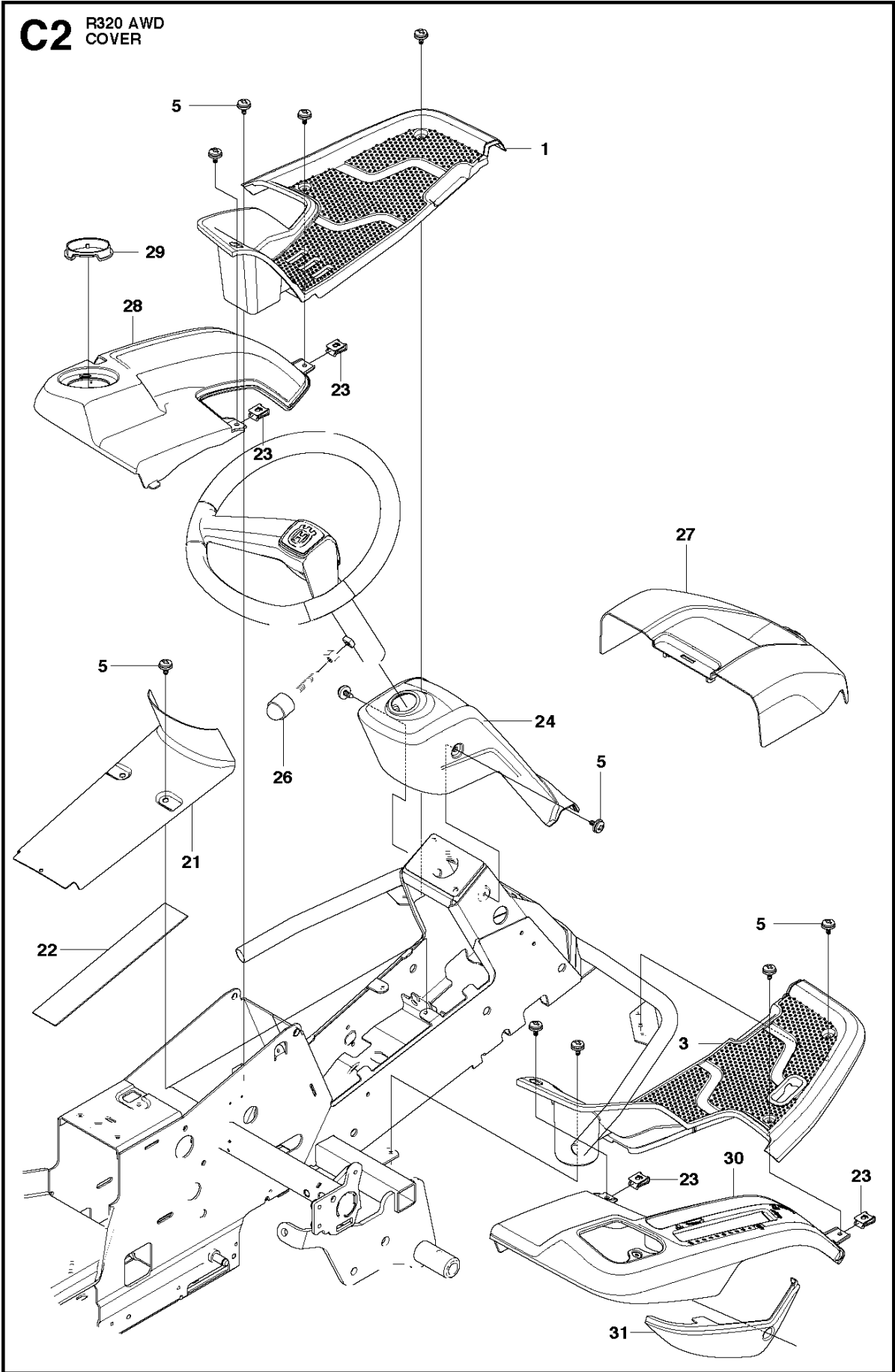
| Ref | Part No | Description | Remark | QTY KIT |
|-----|--------------|------------------|--------|---------|
| 1 | 578 03 31-01 | SUPPORT | | 1 |
| 2 | 544 30 17-01 | WIRE | | 1 |
| 3 | 506 88 91-01 | KNOB | | 1 |
| 4 | 535 47 52-12 | SCREW EHHFM | | 4 |
| 5 | 578 02 35-01 | THROTTLE CONTROL | | 1 |



COVER

R320 AWD, 966757401, 967151701, 2012

| Ref | Part No | Description | Remark | QTY | KIT |
|-----|--------------|--------------------|--------|-----|-----|
| 6 | 577 61 47-01 | ENGINE HOOD ASSY | | 1 | |
| 7 | 578 11 37-01 | HINGE | | 1 | 6 |
| 8 | 578 11 37-02 | HINGE | | 1 | 6 |
| 9 | 722 79 54-02 | RIVET | | 6 | 6 |
| 10 | 503 89 47-03 | SNAP | | 1 | |
| 11 | 577 61 26-02 | COVER | | 1 | 6 |
| 12 | 577 61 26-01 | COVER | | 1 | 6 |
| 19 | 578 26 12-01 | TRANSMISSION COVER | | 1 | |
| 20 | 574 85 62-01 | SCREW | | 2 | |
| 32 | 577 90 33-01 | PLUG | | 2 | |

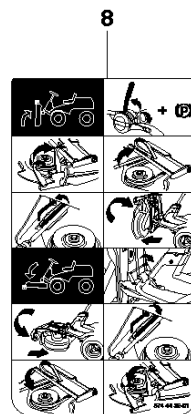
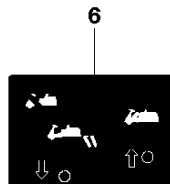
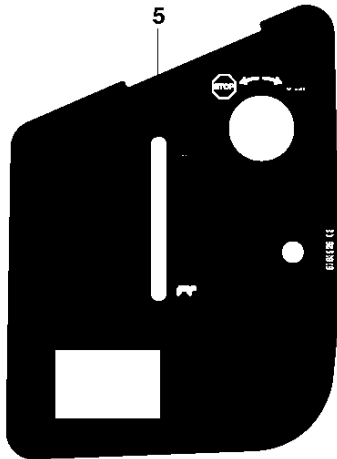
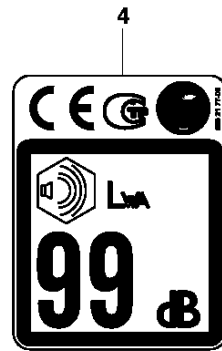
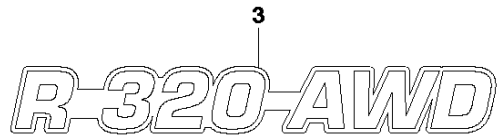
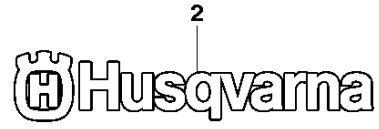
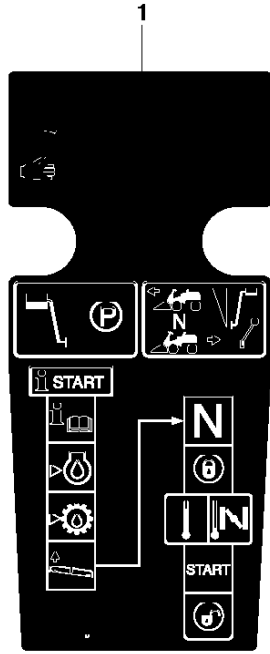


COVER

R320 AWD, 966757401, 967151701, 2012

| Ref | Part No | Description | Remark | QTY KIT |
|-----|--------------|------------------|--------|---------|
| 1 | 577 72 93-01 | FOOT PLATE | | 1 |
| 3 | 577 72 94-01 | FOOT PLATE | | 1 |
| 5 | 544 40 05-01 | SCREW | | 14 |
| 21 | 544 23 92-01 | COVER | | 1 |
| 22 | 544 42 75-01 | MAT | | 1 |
| 23 | 535 42 91-01 | SPRING NUT | | 4 |
| 24 | 577 61 58-01 | COVER | | 1 |
| 26 | 544 43 32-01 | PROTECTIVE COVER | | 1 |
| 27 | 525 56 24-01 | UNIT COVER | | 1 |
| 28 | 577 72 95-01 | FENDER | | 1 |
| 29 | 577 76 45-01 | LOCKING NUT | | 1 |
| 30 | 577 72 96-01 | FENDER | | 1 |
| 31 | 577 73 75-01 | CONTROL COVER | | 1 |

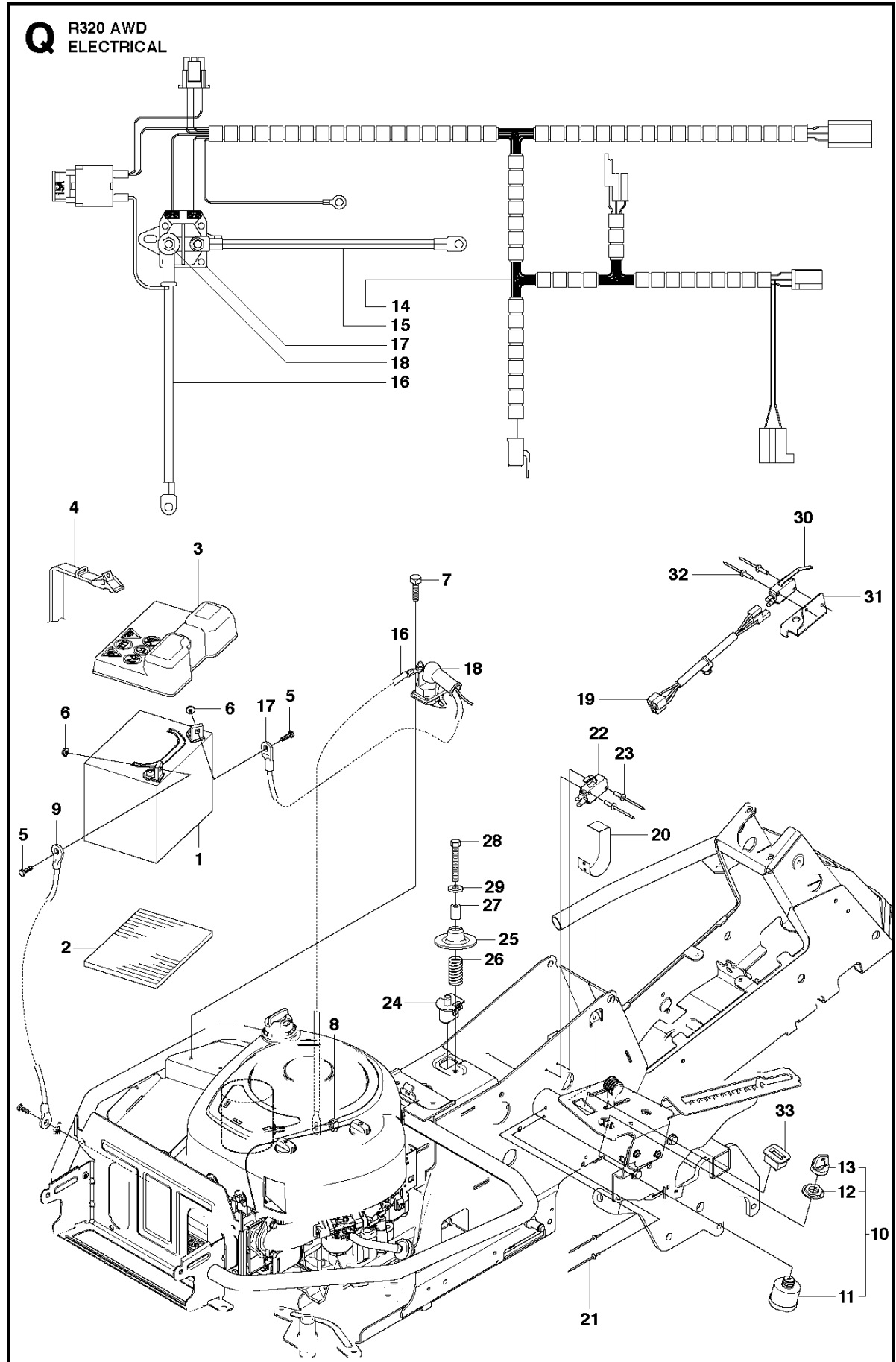
S R320 AWD
DECALS



DECALS

R320 AWD, 966757401, 967151701, 2012

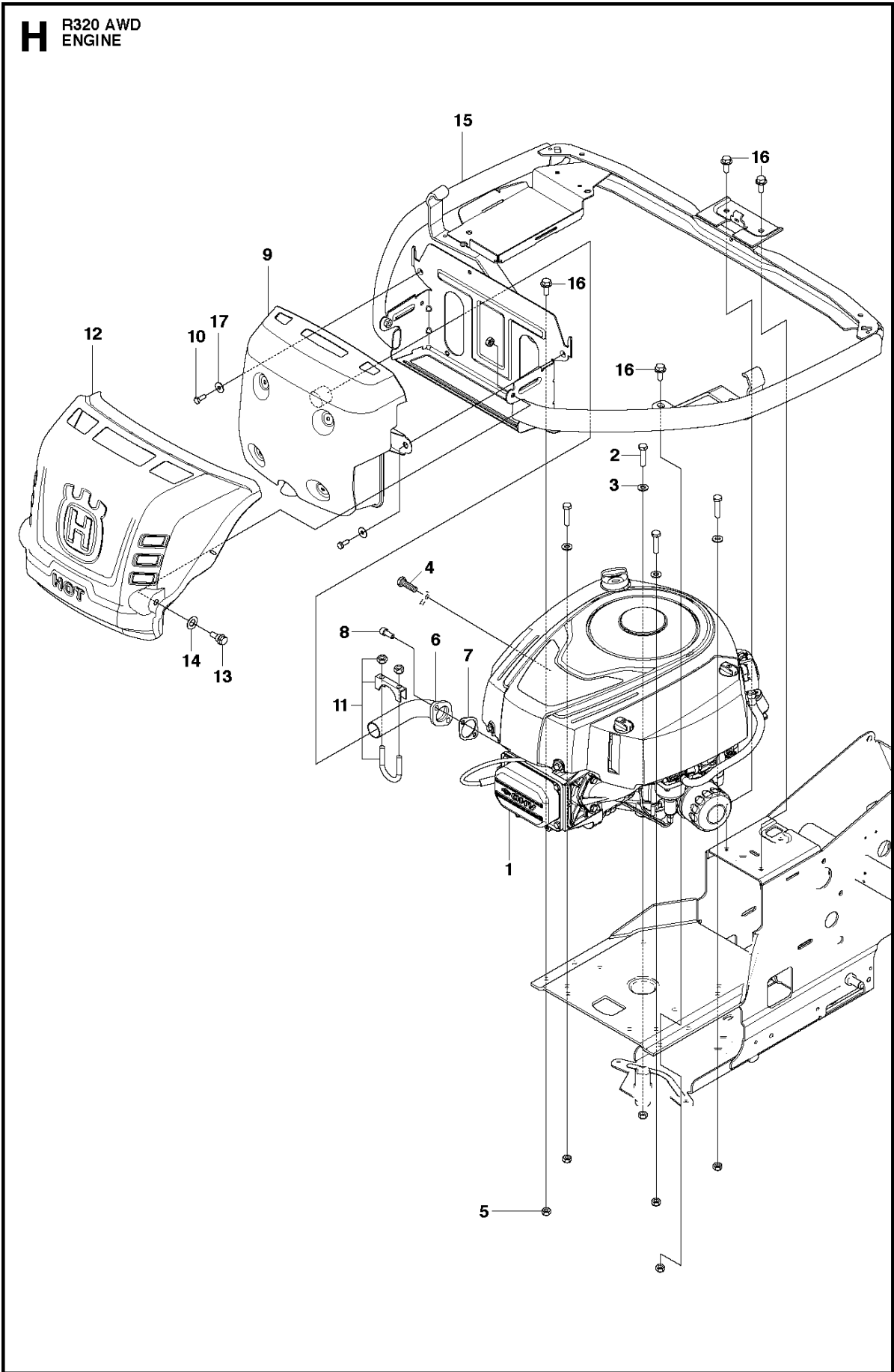
| Ref | Part No | Description | Remark | QTY KIT |
|-----|--------------|-------------|--------|---------|
| 1 | 544 43 86-01 | LABEL | | 1 |
| 2 | 577 06 20-01 | DECAL | | 2 |
| 3 | 578 36 45-06 | DECAL | | 2 |
| 4 | 505 21 77-05 | LABEL | | 1 |
| 5 | 578 39 25-03 | DECAL | | 1 |
| 6 | 544 21 14-01 | LABEL | | 1 |
| 7 | 579 09 15-01 | DECAL | | 2 |
| 8 | 574 44 32-01 | LABEL | | 1 |



ELECTRICAL

R320 AWD, 966757401, 967151701, 2012

| Ref | Part No | Description | Remark | QTY | KIT |
|-----|--------------|-----------------|--------|-----|-----|
| 1 | 577 04 16-01 | BATTERY | | 1 | |
| 2 | 535 44 11-01 | BATTERY MAT | | 1 | |
| 3 | 578 20 06-01 | COVER | | 1 | |
| 4 | 506 83 68-02 | BATTERY BELT | | 1 | |
| 5 | 522 62 21-01 | SCREW EHHM | | 2 | |
| 6 | 522 62 43-01 | NUT | | 2 | |
| 7 | 725 23 64-61 | SCREW EHHFT | | 1 | |
| 8 | 506 89 98-01 | NUT | | 1 | |
| 9 | 576 18 38-01 | CABLE | | 1 | |
| 10 | 544 44 21-01 | IGNITION SWITCH | | 1 | |
| 11 | 544 44 22-01 | IGNITION SWITCH | | 1 | 10 |
| 12 | 544 44 23-01 | NUT | | 1 | 10 |
| 13 | 544 44 24-01 | IGNITION KEY | | 1 | 10 |
| 14 | 578 33 83-01 | WIRING | | 1 | |
| 15 | 576 18 40-01 | CABLE | | 1 | |
| 16 | 576 18 39-01 | CABLE | | 1 | |
| 17 | 544 43 98-01 | RELAY | | 1 | |
| 18 | 506 89 98-01 | NUT | | 2 | |
| 19 | 576 18 54-01 | WIRING | | 1 | |
| 20 | 506 90 93-01 | PLATE SPRING | | 1 | |
| 21 | 722 78 39-02 | BLIND RIVET | | 2 | |
| 22 | 574 31 60-01 | SWITCH | | 1 | |
| 23 | 544 44 07-01 | RIVET | | 2 | |
| 24 | 506 90 96-01 | SWITCH | | 1 | |
| 25 | 506 90 97-01 | SPRING WASHER | | 1 | |
| 26 | 544 44 12-01 | SPRING | | 1 | |
| 27 | 506 90 99-02 | SPACER TUBE | | 1 | |
| 28 | 725 24 60-51 | SCREW EHHM | | 1 | |
| 29 | 734 11 64-01 | WASHER | | 1 | |
| 30 | 574 31 61-01 | SWITCH | | 1 | |
| 31 | 544 41 57-01 | BRACKET | | 1 | |
| 32 | 544 44 07-01 | RIVET | | 2 | |
| 33 | 578 38 24-01 | HOUR METER | | 1 | |

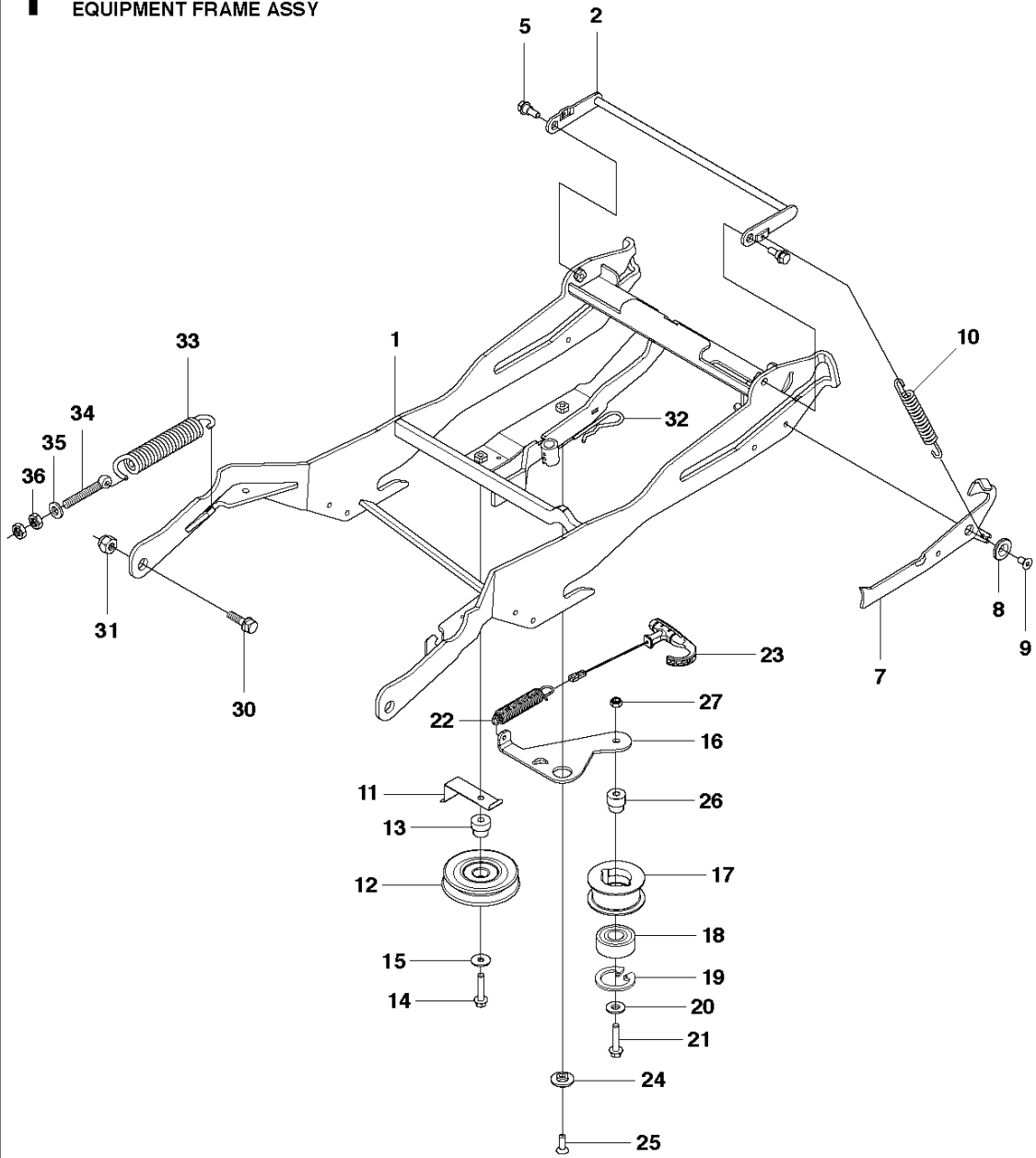


ENGINE

R320 AWD, 966757401, 967151701, 2012

| Ref | Part No | Description | Remark | QTY | KIT |
|-----|--------------|------------------|--------|-----|-----|
| 1 | 578 32 71-01 | ENGINE | | 1 | |
| 2 | 725 24 57-51 | SCREW | | 4 | |
| 3 | 734 11 64-01 | WASHER | | 4 | |
| 4 | 506 55 63-02 | SCREW UNC | | 1 | |
| 5 | 732 21 18-01 | LOCK NUT | | 6 | |
| 6 | 578 05 48-01 | EXHAUST PIPE | | 1 | |
| 7 | 506 91 45-01 | GASKET | | 1 | |
| 8 | 506 55 63-01 | SCREW UNC | | 2 | |
| 9 | 577 81 36-01 | MUFFLER | | 1 | |
| 10 | 725 23 64-61 | SCREW EHHFT | | 2 | |
| 11 | 506 66 84-01 | AVGASKLAMMA KPL. | | 2 | 10 |
| 12 | 579 48 16-01 | HEAT SHIELD | | 1 | |
| 13 | 506 59 74-01 | COLLAR SCREW | | 2 | |
| 14 | 506 83 94-01 | SPRING WASHER | | 2 | |
| 15 | 577 84 91-01 | ENGINE FRAME | | 1 | |
| 16 | 506 57 01-04 | SCREW EHHFM | | 4 | |
| 17 | 734 11 54-41 | WASHER | | 2 | |

T R320 AWD
EQUIPMENT FRAME ASSY

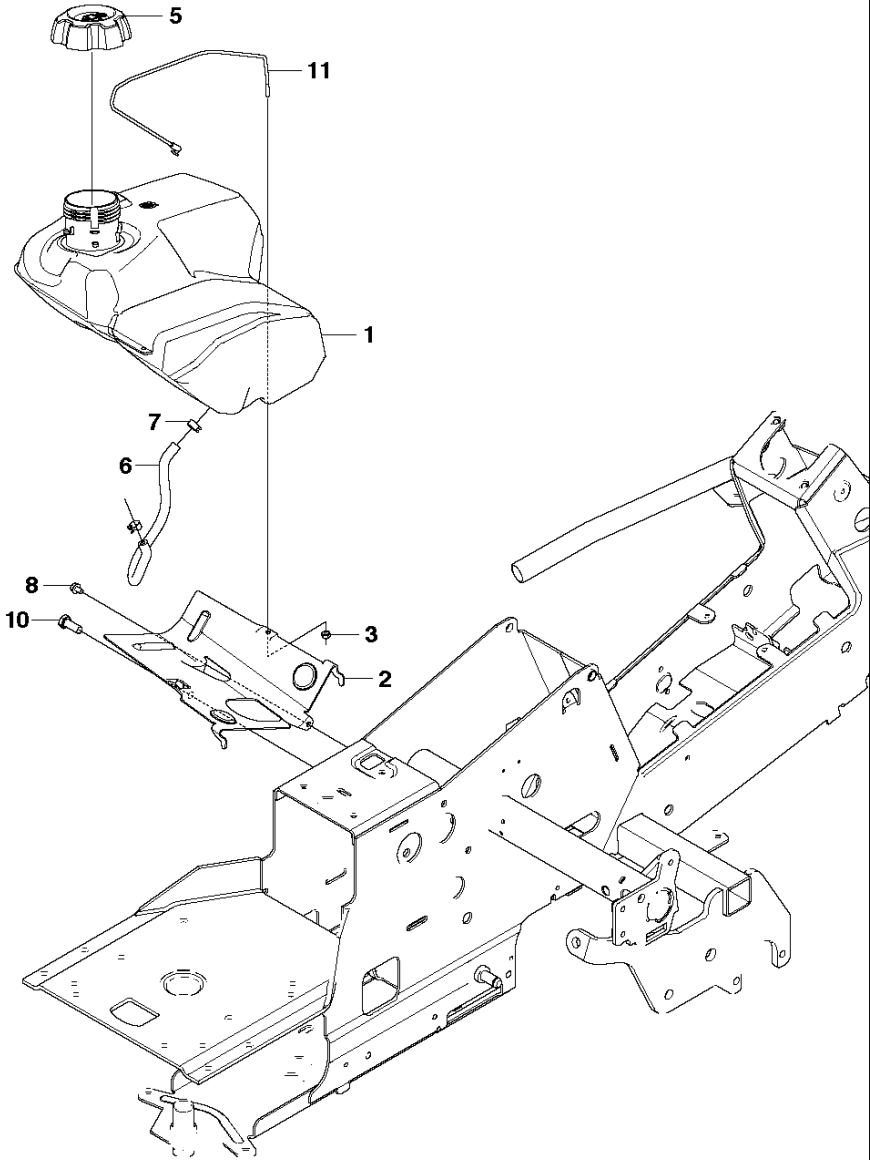


FRAME

R320 AWD, 966757401, 967151701, 2012

| Ref | Part No | Description | Remark | QTY KIT |
|-----|--------------|---------------------------|--------|---------|
| 1 | 523 06 42-01 | EQUIPMENT FRAME | | 1 |
| 2 | 525 47 59-01 | HOOK | | 1 |
| 5 | 506 59 74-01 | COLLAR SCREW | | 2 |
| 7 | 523 11 66-02 | LEVER | | 1 |
| 8 | 506 91 87-01 | WASHER | | 1 |
| 9 | 725 64 48-01 | SCREW IHCSFM | | 1 |
| 10 | 506 53 56-03 | DRAW SPRING | | 1 |
| 11 | 525 48 67-01 | BELT GUIDE | | 1 |
| 12 | 506 97 48-01 | PULLEY | | 1 |
| 13 | 506 82 68-02 | BUSHING | | 1 |
| 14 | 725 24 59-51 | SCREW EHHM | | 1 |
| 15 | 734 11 64-41 | WASHER | | 1 |
| 16 | 577 22 87-01 | SHEET | | 1 |
| 17 | 505 15 39-01 | BELT TENSIONER WHEEL ASSY | | 1 |
| 18 | 738 21 04-04 | BALL BEARING | | 1 |
| 19 | 735 31 38-10 | CIRCLIP | | 1 |
| 20 | 734 11 64-41 | WASHER | | 1 |
| 21 | 725 24 59-51 | SCREW EHHM | | 1 |
| 22 | 504 62 24-01 | SPRING | | 1 |
| 23 | 504 62 21-02 | HANDLE ASSY | | 1 |
| 24 | 505 45 17-01 | WASHER | | 1 |
| 25 | 725 64 53-01 | SCREW IHCSFM | | 1 |
| 26 | 535 48 48-01 | BUSHING | | 1 |
| 27 | 732 21 18-01 | LOCK NUT | | 1 |
| 30 | 506 89 58-01 | COLLAR SCREW | | 2 |
| 31 | 732 25 22-01 | HEXAGON LOCKING NUT | | 2 |
| 32 | 506 96 66-01 | HAIR PIN COTTER | | 1 |
| 33 | 506 83 76-01 | SPRING | | 2 |
| 34 | 506 83 77-01 | RING BOLT | | 2 |
| 35 | 734 11 72-01 | WASHER | | 2 |
| 36 | 731 23 20-51 | HEXAGON NUT | | 4 |

B R320 AWD
FUEL SYSTEM

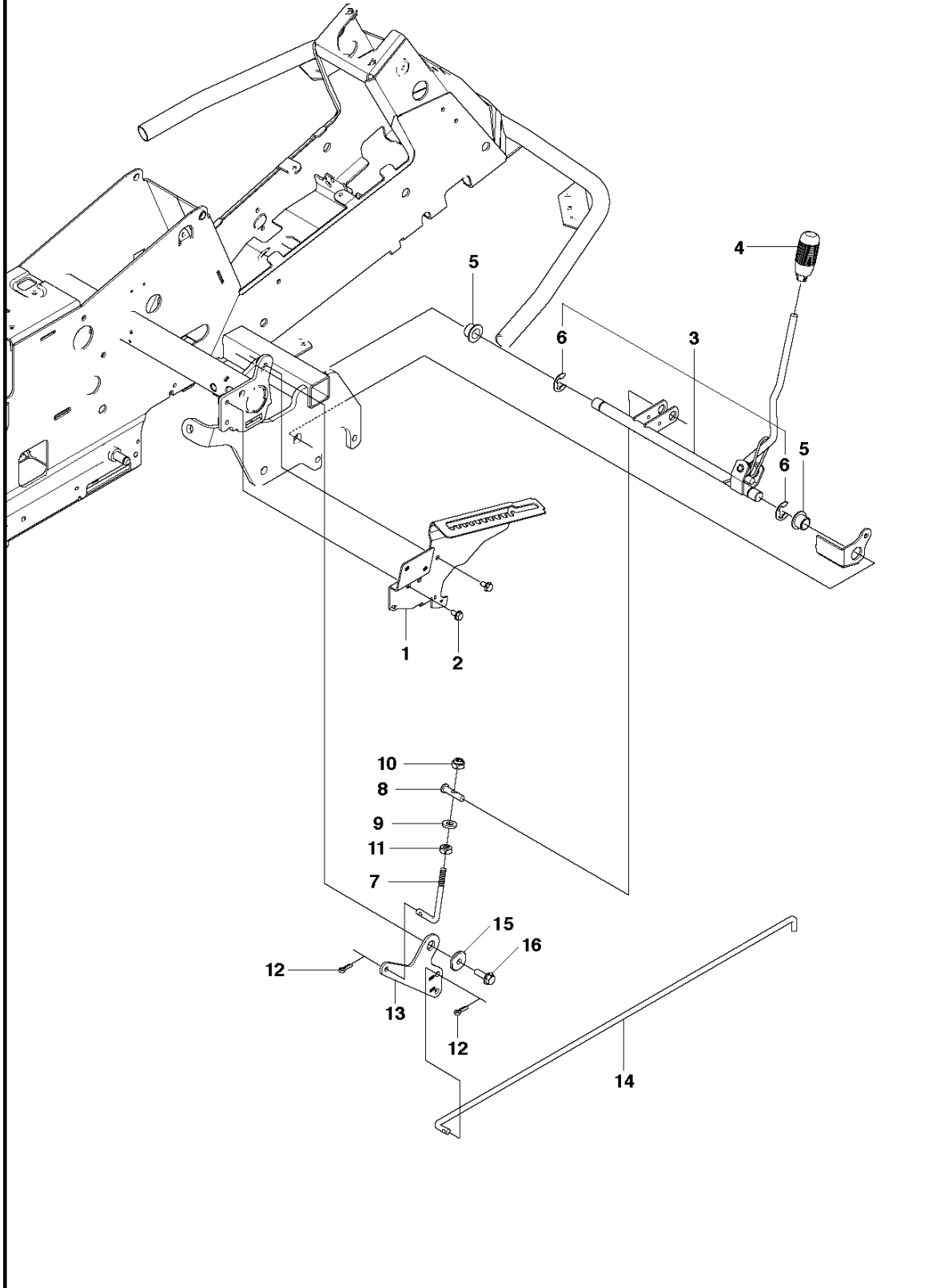


FUEL SYSTEM

R320 AWD, 966757401, 967151701, 2012

| Ref | Part No | Description | Remark | QTY KIT |
|-----|--------------|-------------|--------|---------|
| 1 | 577 91 50-01 | FUEL TANK | | 1 |
| 2 | 578 05 38-01 | BRACKET | | 1 |
| 3 | 732 21 16-01 | NUT | | 1 |
| 5 | 532 43 96-45 | HUB CAP | | 1 |
| 6 | 504 80 00-10 | FUEL HOSE | | 1 |
| 7 | 535 46 97-01 | HOSE BRACE | | 2 |
| 8 | 725 23 64-61 | SCREW EHHFT | | 1 |
| 10 | 725 24 93-71 | SCREW EHHM | | 1 |
| 11 | 578 26 15-01 | WIRE | | 1 |

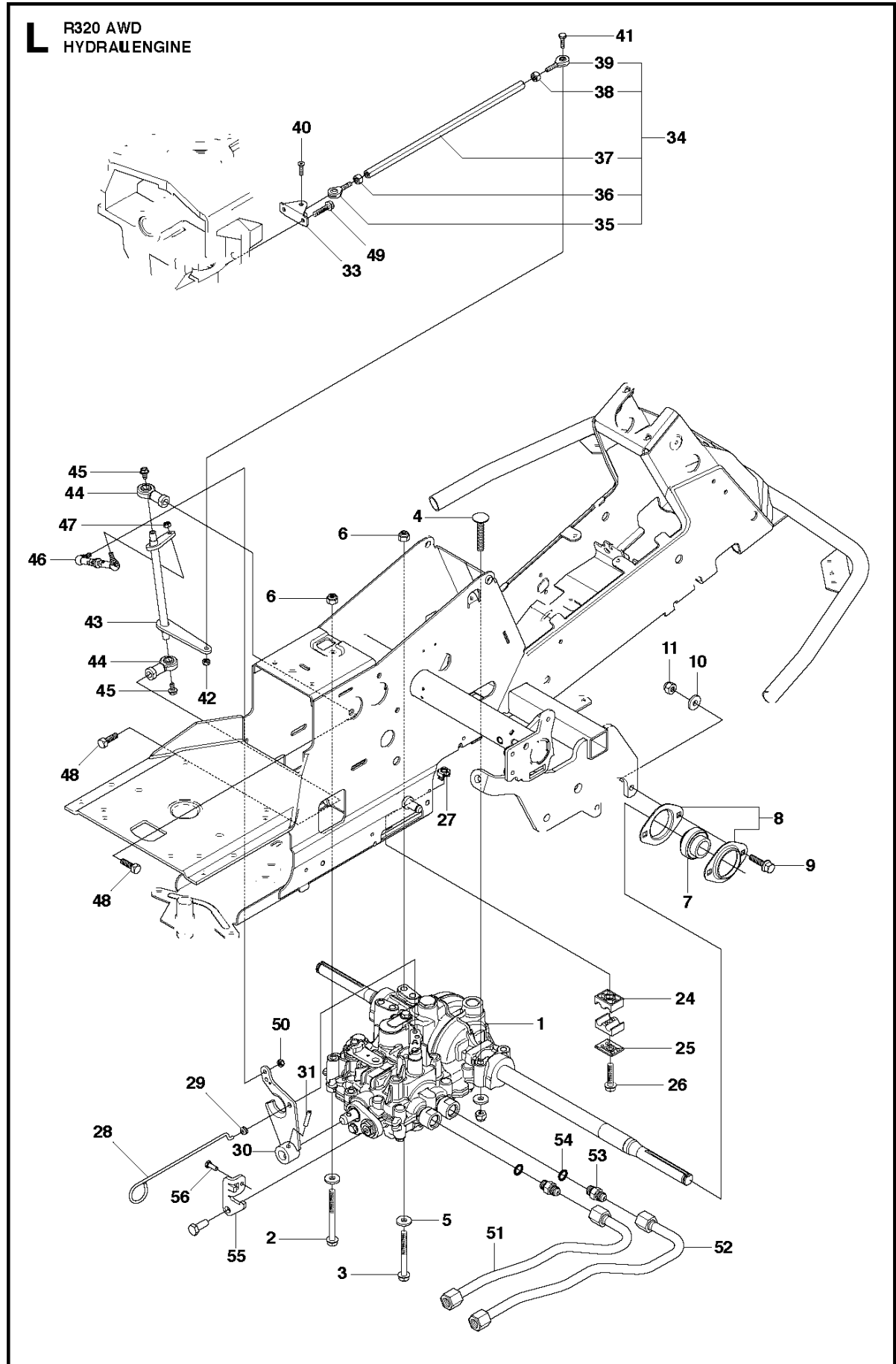
D R320 AWD
HEIGHT ADJUSTMENT



HEIGHT ADJUSTMENT

R320 AWD, 966757401, 967151701, 2012

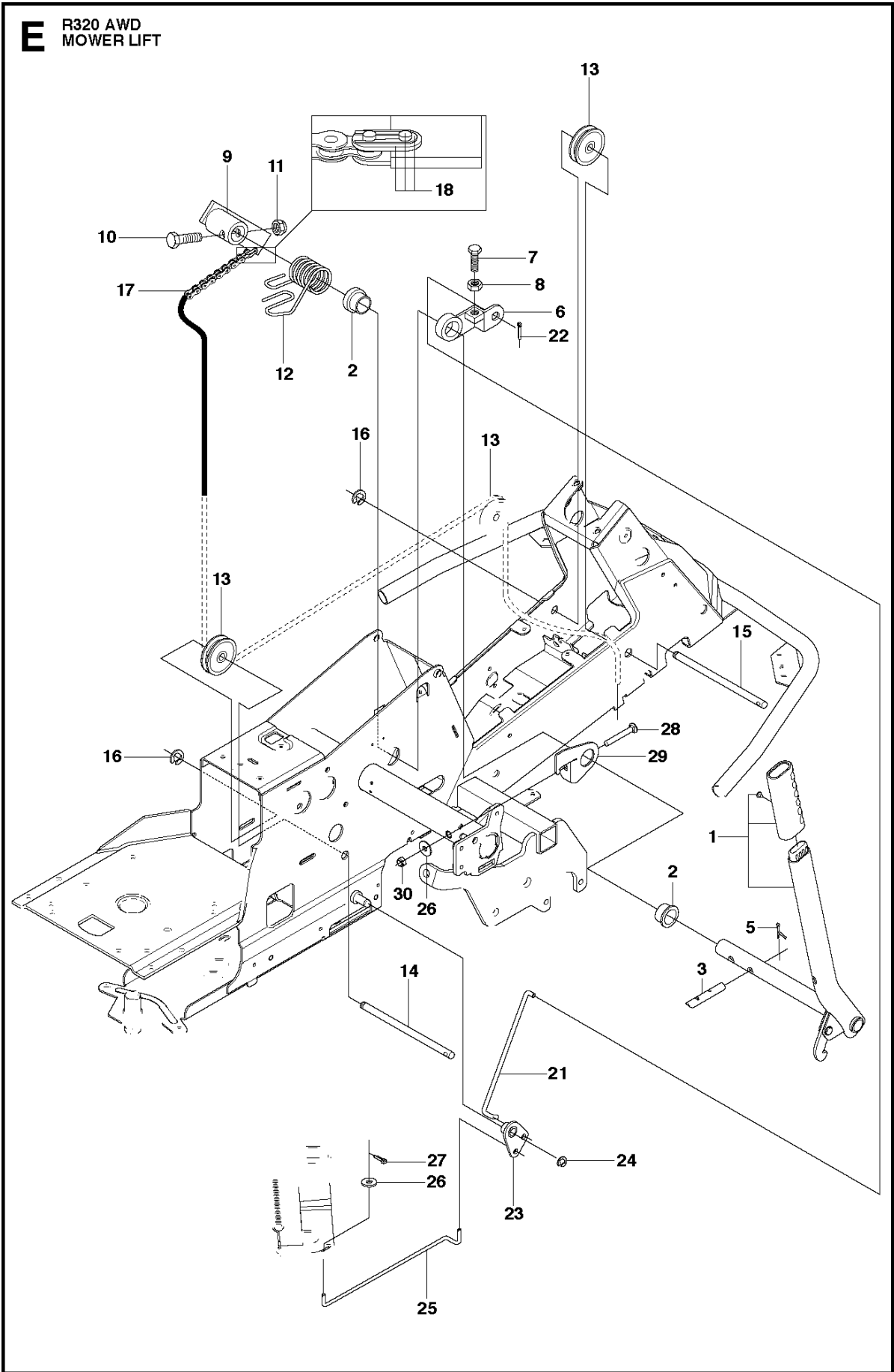
| Ref | Part No | Description | Remark | QTY KIT |
|-----|--------------|-----------------|--------|---------|
| 1 | 578 00 13-02 | BRACKET ASSY | | 1 |
| 2 | 506 57 01-03 | SCREW EHHFM | | 2 |
| 3 | 577 99 99-01 | HEIGHT ADJUSTER | | 1 |
| 4 | 506 54 20-01 | HANDLE | | 1 |
| 5 | 506 55 43-01 | BEARING | | 2 |
| 6 | 735 31 22-20 | E-CLIP | | 2 |
| 7 | 506 90 82-01 | HEIGHT ROD | | 1 |
| 8 | 506 78 46-01 | PIN | | 1 |
| 9 | 734 11 72-01 | WASHER | | 1 |
| 10 | 732 21 18-01 | LOCK NUT | | 1 |
| 11 | 731 23 18-01 | HEXAGON NUT | | 1 |
| 12 | 721 61 83-01 | SPLIT PIN | | 2 |
| 13 | 578 04 07-01 | LINK | | 1 |
| 14 | 523 11 45-01 | CONNECTION ROD | | 1 |
| 15 | 506 91 87-02 | WASHER | | 1 |
| 16 | 506 57 01-05 | SCREW EHHFM | | 1 |



HYDRAULIC PUMP - MOTOR

R320 AWD, 966757401, 967151701, 2012

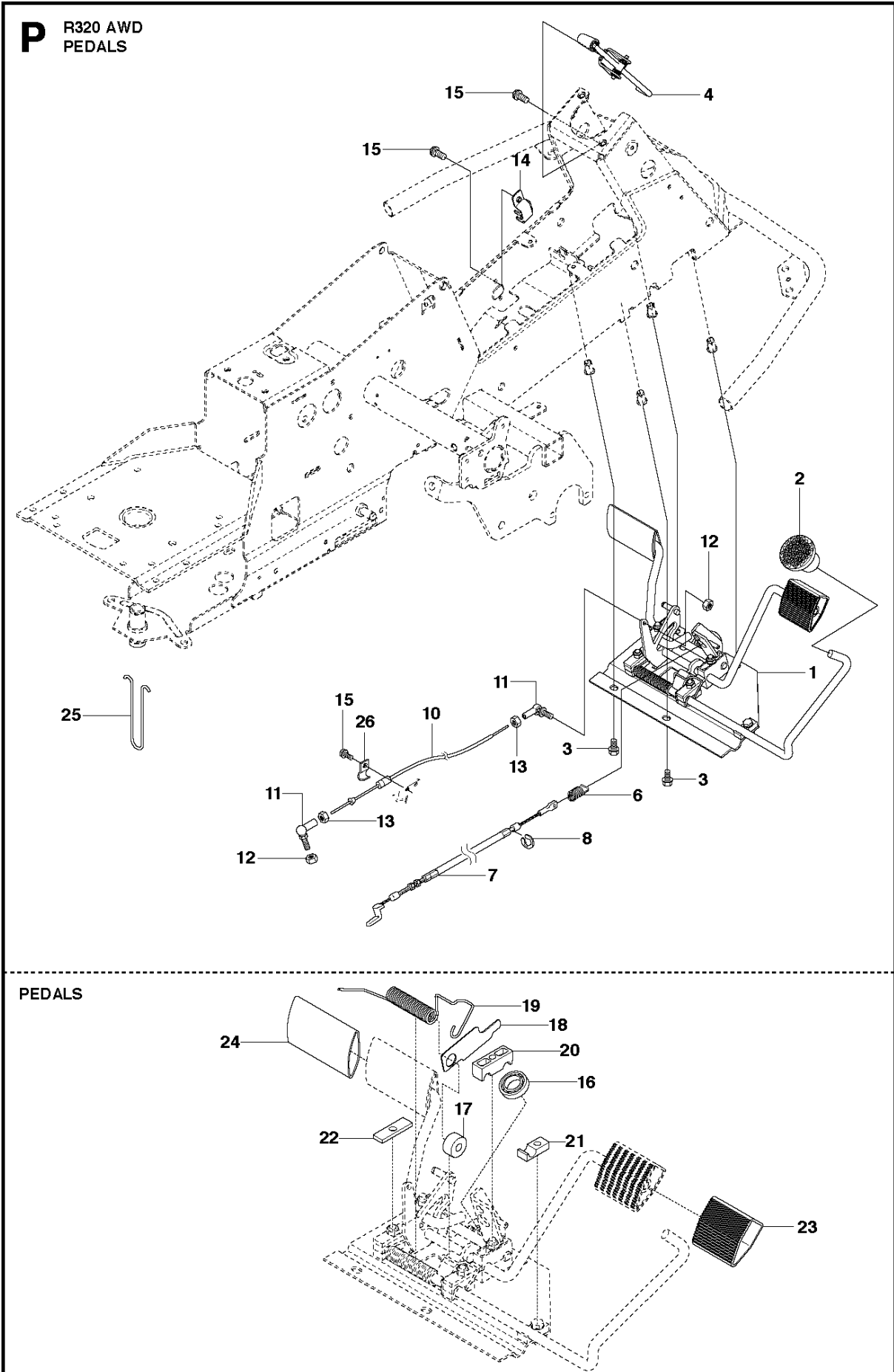
| Ref | Part No | Description | Remark | QTY | KIT |
|-----|--------------|-----------------------|--------|-----|-----|
| 1 | 575 48 43-01 | TRANSMISSION | | 1 | |
| 2 | 725 24 67-51 | SCREW EHHM | | 1 | |
| 3 | 725 24 64-51 | SCREW EHHM | | 1 | |
| 4 | 535 42 38-03 | SCREW RSQM | | 1 | |
| 5 | 734 11 64-01 | WASHER | | 3 | |
| 6 | 732 21 18-01 | LOCK NUT | | 3 | |
| 7 | 544 00 89-02 | BEARING | | 1 | |
| 8 | 544 00 90-02 | BEARING HOUSING | | 2 | |
| 9 | 506 57 01-05 | SCREW EHHFM | | 2 | |
| 10 | 734 11 64-01 | WASHER | | 2 | |
| 11 | 732 21 18-01 | LOCK NUT | | 2 | |
| 24 | 544 37 33-02 | PIPE CLAMP | | 1 | |
| 25 | 544 37 38-02 | COVER PLATE | | 1 | |
| 26 | 506 57 01-07 | SCREW EHHFM | | 1 | |
| 27 | 544 81 17-01 | CAGE NUT | | 1 | |
| 28 | 535 49 97-01 | ARM | | 1 | |
| 29 | 503 73 58-01 | BUSHING | | 1 | |
| 30 | 578 29 19-01 | LEVER | | 1 | |
| 31 | 721 43 47-01 | SPRING PIN | | 1 | |
| 33 | 535 49 28-02 | BRACKET | | 1 | |
| 34 | 544 45 67-03 | ROD | | 1 | |
| 35 | 535 48 66-02 | ROD END | | 1 | 34 |
| 36 | 503 22 10-18 | HEXAGON NUT | | 1 | 34 |
| 37 | 535 48 65-03 | ROD | | 1 | 34 |
| 38 | 731 23 16-01 | HEXAGON NUT | | 1 | 34 |
| 39 | 535 48 66-01 | ROD END | | 1 | 34 |
| 40 | 544 84 17-01 | SCREW | | 1 | |
| 41 | 725 23 70-71 | SCREW EHHM | | 1 | |
| 42 | 732 21 16-01 | NUT | | 1 | |
| 43 | 535 49 74-02 | LEVER | | 1 | |
| 44 | 506 95 17-01 | ROD END | | 2 | |
| 45 | 535 47 52-12 | SCREW EHHFM | | 2 | |
| 46 | 544 44 19-01 | ADJUSTING ROD | | 1 | |
| 47 | 732 21 16-01 | NUT | | 1 | |
| 48 | 725 24 93-71 | SCREW EHHM | | 2 | |
| 49 | 725 23 66-51 | HEXAGONAL SCREW M6X12 | | 2 | |
| 50 | 732 21 16-01 | NUT | | 3 | |
| 51 | 544 80 80-01 | HYDRAULIC PIPE | | 2 | |
| 52 | 544 80 79-01 | HYDRAULIC PIPE | | 2 | |
| 53 | 535 42 68-06 | PIPE FITTING | | 2 | |
| 54 | 505 45 11-01 | O-RING | | 2 | |
| 55 | 578 04 78-01 | BRACKET | | 1 | |
| 56 | 725 23 68-61 | SCREW EHHFT | | 1 | |



MOWER LIFT / DECK LIFT

R320 AWD, 966757401, 967151701, 2012

| Ref | Part No | Description | Remark | QTY KIT |
|-----|--------------|---------------------|--------|---------|
| 1 | 577 96 67-01 | LIFTING LEVER ASSY | | 1 |
| 2 | 506 55 65-01 | BEARING | | 2 |
| 3 | 525 40 66-01 | PIN | | 1 |
| 5 | 721 61 83-01 | SPLIT PIN | | 1 |
| 6 | 506 78 43-01 | LINK ASSY | | 1 |
| 7 | 725 24 97-51 | SCREW | | 1 |
| 8 | 731 23 20-51 | HEXAGON NUT | | 1 |
| 9 | 544 43 36-01 | LIFTING ARM | | 1 |
| 10 | 725 25 42-51 | SCREW EHHM | | 1 |
| 11 | 732 25 22-01 | HEXAGON LOCKING NUT | | 1 |
| 12 | 506 91 68-01 | SPRING | | 1 |
| 13 | 506 90 56-01 | OFFSET PULLEY | | 2 |
| 14 | 506 90 57-01 | SHAFT | | 1 |
| 15 | 506 90 57-02 | SHAFT | | 1 |
| 16 | 735 31 18-20 | E-CLIP | | 2 |
| 17 | 506 55 46-07 | CHAIN | | 1 |
| 18 | 506 55 47-01 | LINKAGE | | 1 |
| 21 | 544 45 69-01 | CONNECTION ROD | | 1 |
| 22 | 721 61 83-01 | SPLIT PIN | | 1 |
| 23 | 544 37 86-01 | LINK | | 1 |
| 24 | 735 31 14-20 | E-CLIP | | 1 |
| 25 | 544 44 88-01 | CONNECTION ROD | | 1 |
| 26 | 734 11 64-41 | WASHER | | 2 |
| 27 | 721 61 83-01 | SPLIT PIN | | 1 |
| 28 | 535 42 38-03 | SCREW RSQM | | 1 |
| 29 | 577 99 95-01 | SHEET | | 1 |
| 30 | 732 21 18-01 | LOCK NUT | | 1 |

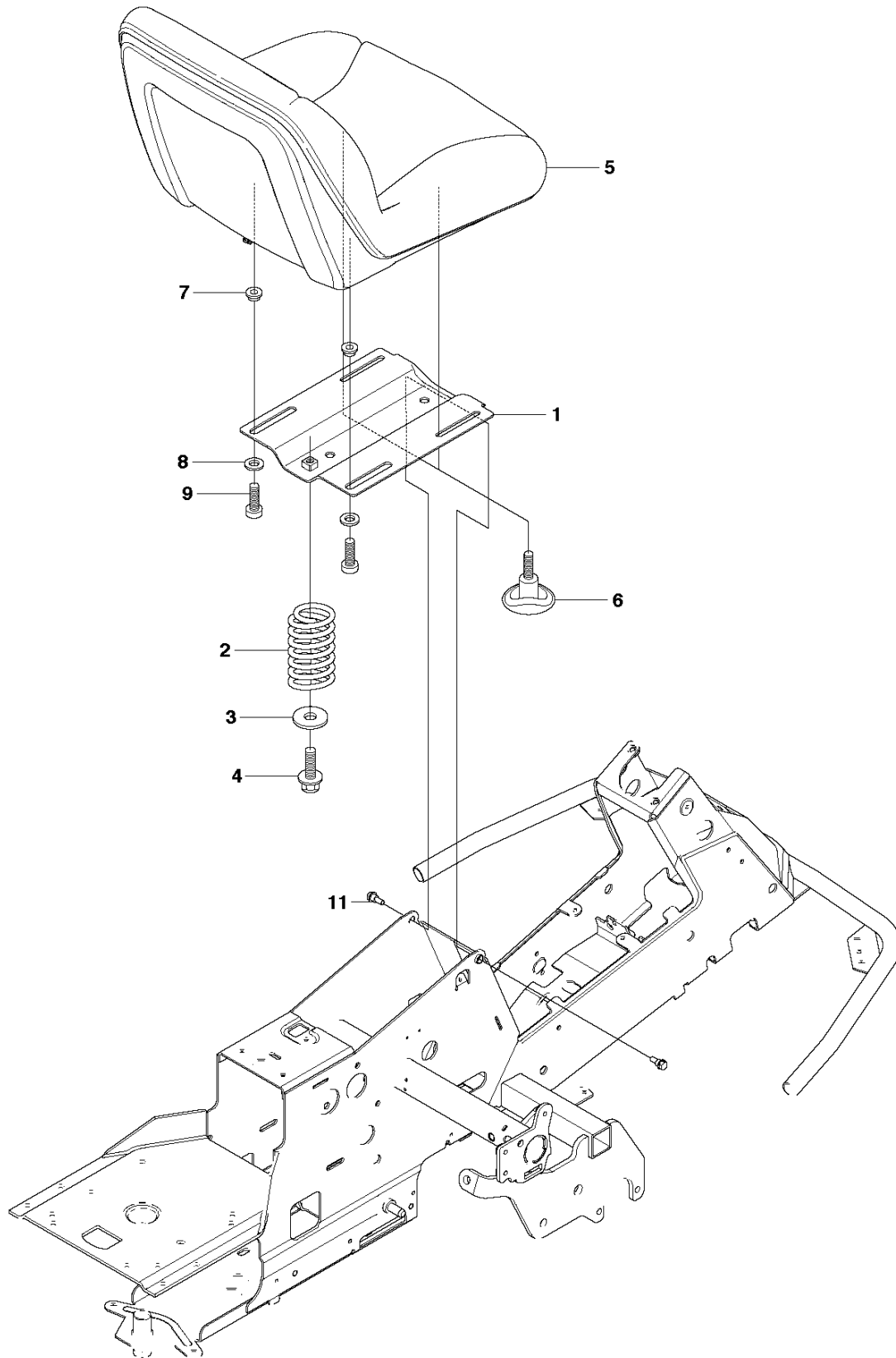


PEDALS

R320 AWD, 966757401, 967151701, 2012

| Ref | Part No | Description | Remark | QTY | KIT |
|-----|--------------|----------------------|--------|-----|-----|
| 1 | 544 12 60-01 | PEDAL PLATE ASSY | | 1 | |
| 2 | 535 47 37-01 | KNOB | | 1 | |
| 3 | 506 57 01-04 | SCREW EHHFM | | 4 | |
| 4 | 544 40 31-01 | BRAKE LEVER ASSY | | 1 | |
| 6 | 506 94 63-01 | BRAKE SPRING | | 1 | |
| 7 | 576 71 21-01 | BRAKE WIRE | | 1 | |
| 8 | 735 31 09-20 | E-CLIP | | 1 | |
| 10 | 574 41 12-02 | CONTROL CABLE | | 1 | |
| 11 | 506 55 73-01 | VINKELL.AS8 DIN71802 | | 2 | |
| 12 | 732 21 14-01 | LOCK NUT | | 2 | |
| 13 | 731 23 14-01 | HEXAGON NUT | | 2 | |
| 14 | 522 43 08-01 | BRACKET | | 1 | |
| 15 | 725 23 64-61 | SCREW EHHFT | | 4 | |
| 16 | 738 21 02-04 | BALL BEARING | | 1 | 1 |
| 17 | 535 48 02-01 | ROLLER | | 1 | 1 |
| 18 | 535 48 06-01 | PROTECTIVE PLATE | | 1 | 1 |
| 19 | 535 48 07-01 | SPRING | | 1 | 1 |
| 20 | 535 48 08-01 | BEARING SUPPORT | | 4 | 1 |
| 21 | 535 48 09-01 | BEARING SUPPORT | | 5 | 1 |
| 22 | 535 48 10-01 | REINFORCEMENT PLATE | | 3 | 1 |
| 23 | 535 47 88-01 | PEDAL RUBBER | | 1 | 1 |
| 24 | 535 47 88-02 | PEDAL RUBBER | | 1 | 1 |
| 25 | 506 57 64-02 | CABLE HOLDER | | 1 | |
| 26 | 506 56 65-01 | CLIP | | 1 | |

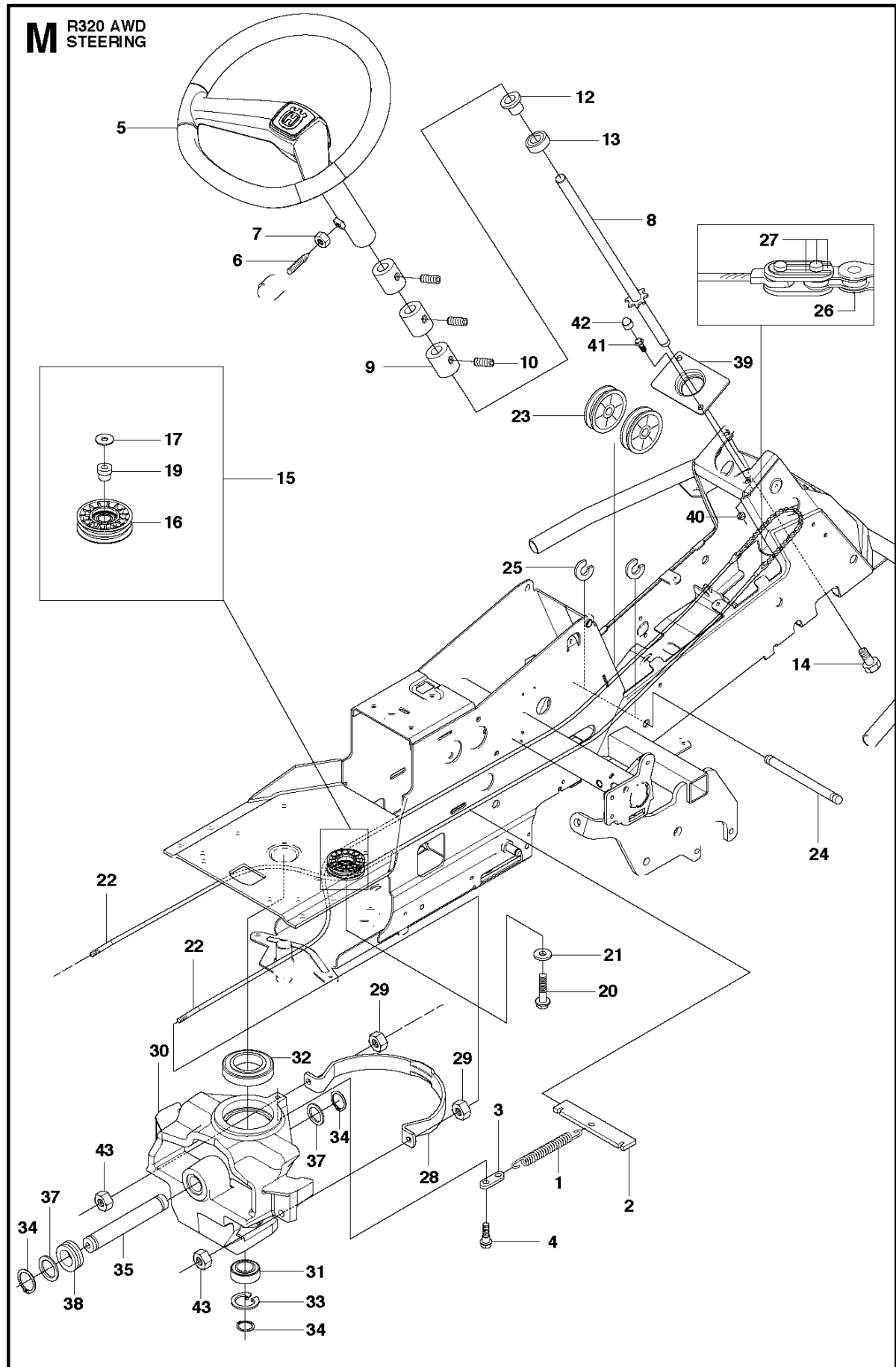
A R320 AWD
SEAT



SEAT

R320 AWD, 966757401, 967151701, 2012

| Ref | Part No | Description | Remark | QTY KIT |
|-----|--------------|--------------------|--------|---------|
| 1 | 573 99 50-03 | SEAT BRACKET | | 1 |
| 2 | 506 91 53-01 | COMPRESSION SPRING | | 1 |
| 3 | 734 11 74-41 | WASHER | | 1 |
| 4 | 725 24 93-71 | SCREW EHHM | | 1 |
| 5 | 544 43 33-01 | SEAT | | 1 |
| 6 | 506 56 55-01 | JUSTERVRED | | 2 |
| 7 | 506 56 53-01 | BUSHING | | 2 |
| 8 | 734 11 64-41 | WASHER | | 2 |
| 9 | 506 55 63-01 | SCREW UNC | | 1 |
| 11 | 506 59 74-01 | COLLAR SCREW | | 1 |

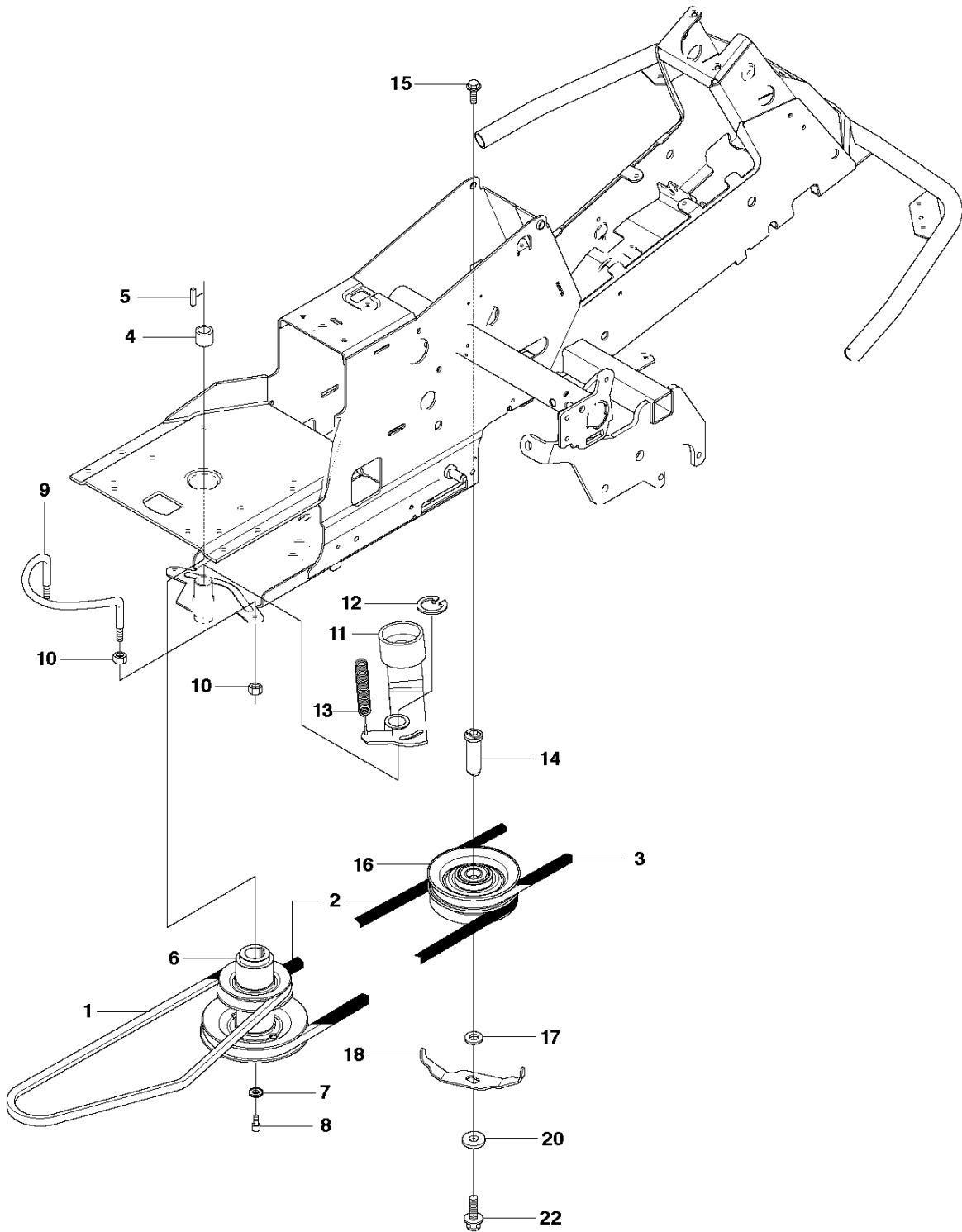


STEERING

R320 AWD, 966757401, 967151701, 2012

| Ref | Part No | Description | Remark | QTY | KIT |
|-----|--------------|------------------|--------|-----|-----|
| 1 | 506 67 19-01 | SPRING | | 1 | |
| 2 | 506 57 63-01 | SPRING RETAINER | | 1 | |
| 3 | 506 67 08-01 | LINK | | 1 | |
| 4 | 506 59 74-01 | COLLAR SCREW | | 1 | |
| 5 | 577 96 04-02 | STEERING WHEEL | | 1 | |
| 6 | 728 74 55-05 | SCREW IHSETM | | 1 | |
| 7 | 731 23 18-01 | HEXAGON NUT | | 1 | |
| 8 | 575 63 19-01 | STEERING ROD | | 1 | |
| 9 | 506 86 34-01 | DRIVER | | 3 | |
| 10 | 728 84 43-05 | SCREW IHSETM | | 3 | |
| 12 | 506 88 78-01 | SPACER | | 1 | |
| 13 | 738 21 04-04 | BALL BEARING | | 1 | |
| 14 | 506 57 01-04 | SCREW EHHFM | | 1 | |
| 15 | 576 49 25-01 | PULLEY | | 1 | |
| 16 | 576 26 91-01 | PULLEY | | 1 | 15 |
| 17 | 735 31 40-10 | CIRCLIP | | 1 | 15 |
| 19 | 576 48 73-01 | BUSHING | | 1 | 15 |
| 20 | 506 67 54-03 | SCREW EHHFM | | 1 | |
| 21 | 734 11 74-41 | WASHER | | 1 | |
| 22 | 577 19 99-04 | WIRE ASSY | | 2 | |
| 23 | 506 52 24-01 | STARTER PULLEY | | 2 | |
| 24 | 506 53 94-04 | SHAFT | | 1 | |
| 25 | 735 31 14-20 | E-CLIP | | 2 | |
| 26 | 506 55 46-01 | CHAIN | | 1 | |
| 27 | 506 55 47-01 | LINKAGE | | 2 | |
| 28 | 544 42 73-01 | WIRE GUIDE | | 1 | |
| 29 | 731 23 20-51 | HEXAGON NUT | | 2 | |
| 30 | 577 65 93-01 | SPINDLE | | 1 | |
| 31 | 738 21 05-04 | BALL BEARING | | 1 | |
| 32 | 738 21 10-04 | BALL BEARING | | 1 | |
| 33 | 735 31 40-10 | CIRCLIP | | 1 | |
| 34 | 735 31 26-00 | CIRCLIP | | 3 | |
| 35 | 506 98 59-01 | SWING AXLE | | 1 | |
| 37 | 506 77 34-01 | WASHER | | 1 | |
| 38 | 740 68 14-21 | V-RING | | 1 | |
| 39 | 578 06 52-01 | BRACKET | | 1 | |
| 40 | 732 21 20-51 | NUT | | 1 | |
| 41 | 506 67 54-03 | SCREW EHHFM | | 1 | |
| 42 | 544 43 32-01 | PROTECTIVE COVER | | 1 | |
| 43 | 732 21 20-51 | NUT | | 2 | |

G R320 AWD
TRANSMISSION

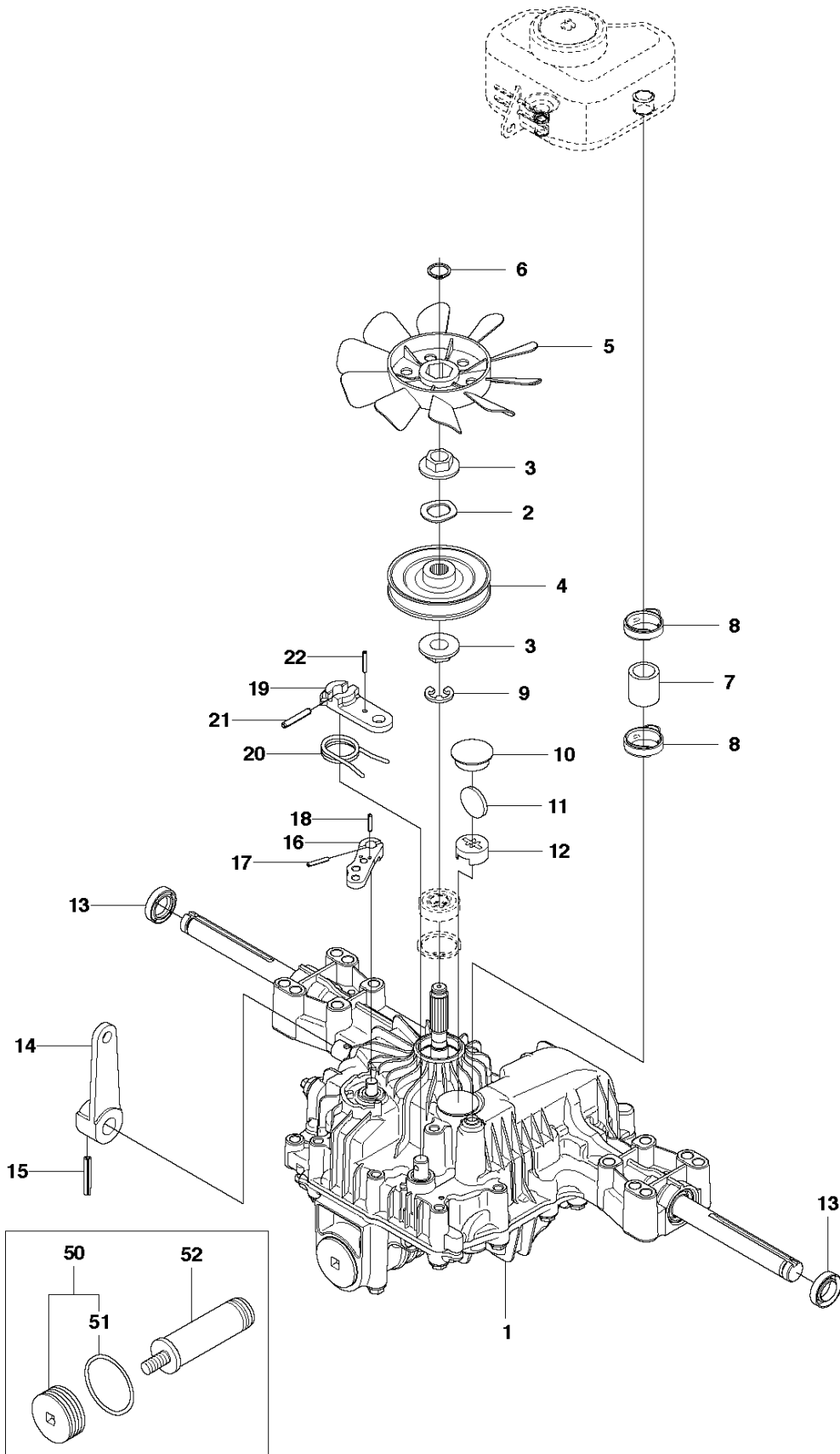


TRANSMISSION

R320 AWD, 966757401, 967151701, 2012

| Ref | Part No | Description | Remark | QTY KIT |
|-----|--------------|---------------------|--------|---------|
| 1 | 522 93 03-01 | BELT | | 1 |
| 2 | 544 40 02-01 | BELT | | 1 |
| 3 | 535 41 19-01 | BELT | | 1 |
| 4 | 506 50 92-01 | SPACING SLEEVE | | 1 |
| 5 | 506 55 59-01 | WEDGE | | 1 |
| 6 | 535 48 24-01 | PULLEY | | 1 |
| 7 | 506 59 75-01 | WASHER | | 1 |
| 8 | 506 55 60-02 | SCREW UNC | | 1 |
| 9 | 506 66 45-01 | BELT GUIDE | | 1 |
| 10 | 731 23 20-51 | HEXAGON NUT | | 4 |
| 11 | 535 48 44-01 | BELT TENSIONER ASSY | | 1 |
| 12 | 735 31 26-00 | CIRCLIP | | 1 |
| 13 | 506 66 56-01 | SPRING | | 1 |
| 14 | 544 42 61-01 | SHAFT | | 1 |
| 15 | 506 67 54-02 | SCREW EHHFM | | 1 |
| 16 | 535 48 22-01 | MELLANHJUL | | 1 |
| 17 | 506 77 57-01 | WASHER | | 1 |
| 18 | 544 40 53-01 | BELT GUIDE | | 1 |
| 20 | 506 59 75-01 | WASHER | | 1 |
| 22 | 506 57 01-05 | SCREW EHHFM | | 1 |

K574



TRANSMISSION

R320 AWD, 966757401, 967151701, 2012

| Ref | Part No | Description | Remark | QTY | KIT |
|-----|--------------|---------------------|--------|-----|-----|
| 1 | 544 11 61-01 | TRANSMISSION | | 1 | |
| 2 | 506 98 65-01 | SPRING WASHER | | 1 | |
| 3 | 506 98 66-01 | DISTANCE | | 2 | |
| 4 | 502 45 19-01 | PULLEY | | 1 | |
| 5 | 506 98 68-01 | FAN | | 1 | |
| 6 | 735 31 15-00 | CIRCLIP | | 1 | |
| 7 | 502 45 16-01 | TUBE | | 1 | |
| 8 | 506 98 70-01 | HOSE CLAMP | | 2 | |
| 9 | 535 40 28-07 | CLIP | | 1 | 1 |
| 10 | 535 40 28-32 | PLUG | | 1 | 1 |
| 11 | 535 40 28-29 | MAGNET | | 1 | 1 |
| 12 | 502 45 20-01 | MAGNET HOLDER | | 1 | 1 |
| 13 | 535 40 28-37 | SEALING | | 2 | 1 |
| 14 | 502 45 32-01 | CONTROL LEVER | | 1 | 1 |
| 15 | 535 40 28-09 | PIN RETAINING SCREW | | 1 | 1 |
| 16 | 535 40 28-17 | LEVER | | 1 | 1 |
| 17 | 535 40 28-16 | PIN RETAINING SCREW | | 1 | 1 |
| 18 | 535 40 28-33 | PIN RETAINING SCREW | | 1 | 1 |
| 19 | 535 40 28-38 | LEVER | | 1 | 1 |
| 20 | 535 40 28-39 | RETURN SPRING | | 1 | 1 |
| 21 | 535 40 28-40 | PIN RETAINING SCREW | | 1 | 1 |
| 22 | 535 40 28-41 | PIN RETAINING SCREW | | 1 | 1 |
| 50 | 574 51 51-01 | KIT | | 1 | |
| 51 | 574 51 52-01 | O-RING | | 1 | 50 |
| 52 | 535 40 28-19 | FILTER | | 1 | |

WHEELS & TIRES

R320 AWD, 966757401, 967151701, 2012

| Ref | Part No | Description | Remark | QTY | KIT |
|-----|--------------|----------------|--------|-----|-----|
| 1 | 523 01 26-02 | WHEEL | | 4 | |
| 2 | 523 03 48-01 | RIM | | 1 | 1 |
| 3 | 523 03 46-02 | TYRE | | 1 | 1 |
| 4 | 523 03 47-01 | VALVE | | 1 | 1 |
| 5 | 506 50 48-03 | WASHER | | 2 | |
| 6 | 506 94 58-01 | WASHER | | 1 | |
| 7 | 506 59 62-03 | SPACING SLEEVE | | 2 | |
| 8 | 544 13 26-01 | SLEEVE | | 1 | |
| 9 | 544 13 26-02 | SLEEVE | | 1 | |
| 10 | 506 50 48-05 | WASHER | | 4 | |
| 11 | 506 89 90-01 | E-CLIP | | 4 | |
| 12 | 544 35 35-01 | HUB CAP | | 4 | |