



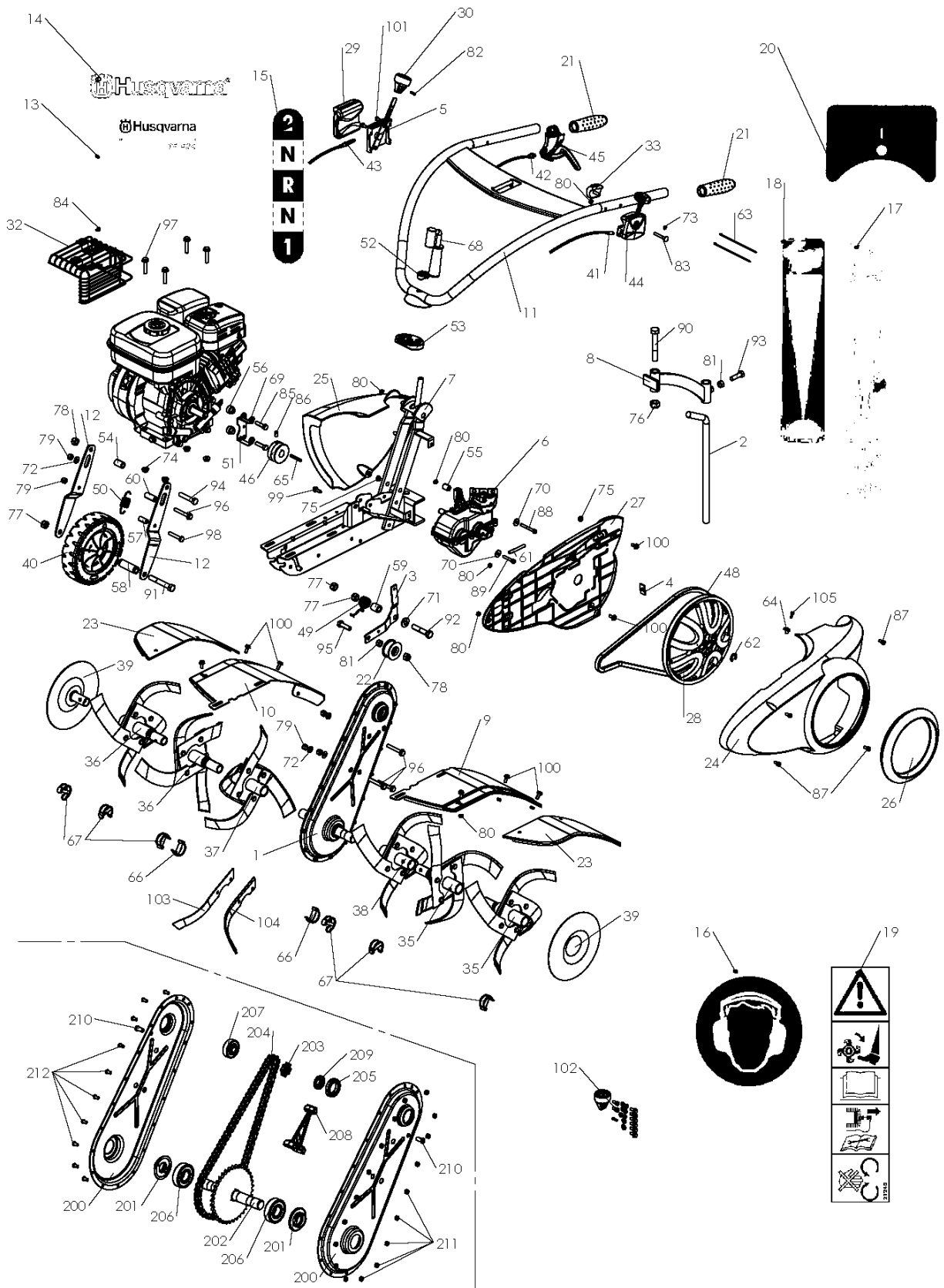
SPARE PARTS LIST

CULTIVATORS/TILLERS

TF 434, 9670306-01, 2012-09

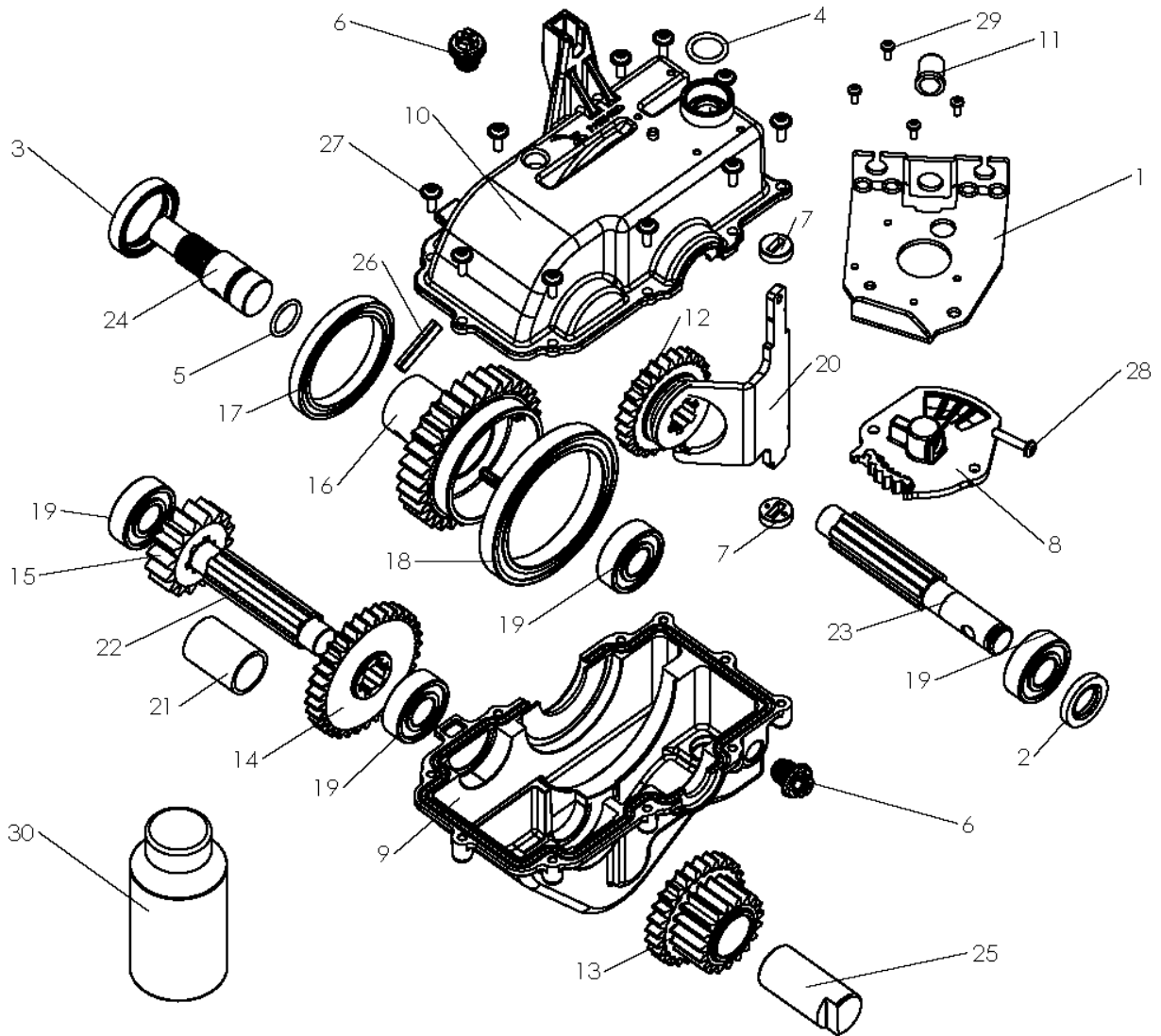
REPAIR PARTS

TILLER - MODEL NO. TF 434, PRODUCT NO. 966 78 69-01



Ref	Part No	Description	Remark	QTY KIT
1	580 32 10-01	TRANSMISSION		1
2	544 30 93-01	PIN		1
3	580 32 15-01	PLATE		1
4	580 32 24-01	SNAP LOCKING		1
5	580 32 11-01	CONTROL		1
6	580 32 09-01	GEAR BOX		1
7	580 32 21-01	FRAME		1
8	580 32 14-01	SUPPORT		1
9	580 32 19-01	GUARD		1
10	580 32 18-01	GUARD		1
11	580 32 20-01	HANDLE BAR		1
12	580 32 16-01	SUPPORT		2
13	580 32 07-01	STICKER		1
14	580 32 06-01	STICKER		1
15	580 32 03-01	LABEL		1
16	577 46 33-01	STICKER		1
17	519 64 66-80	DECAL		1
18	531 00 82-51	DECAL		1
19	531 00 85-40	DECAL		1
20	501 96 37-01	LABEL		1
21	522 99 23-01	GRIP		2
22	519 65 34-57	PULLEY		1
23	580 31 96-01	GUARD		1
24	580 31 95-01	COVER		1
25	580 31 94-01	COVER		1
26	580 31 92-01	DISC		1
27	580 31 91-01	INTERIOR		1
28	580 31 90-01	PULLEY		1
29	580 31 88-01	COVER		1
30	580 31 87-01	KNOB		1
32	531 00 85-82	GRILL		1
33	531 00 85-58	STOP SWITCH		1
35	531 00 85-22	TINE		2
36	531 00 85-23	TINE		2
37	531 00 85-21	TINE		1
38	531 00 85-20	TINE		1
39	519 65 33-62	COVER		2
40	580 31 82-01	WHEEL		1
41	580 31 79-01	THROTTLE CABLE		1
42	577 46 37-01	CABLE		1
43	580 31 74-01	CABLE		1
44	577 45 30-01	THROTTLE LEVER		1
45	577 54 78-01	LEVER		1
46	544 24 39-01	PULLEY		1
48	580 31 64-01	BELT		1
49	519 65 30-90	SPRING		1
50	580 31 57-01	DRAW SPRING		1
51	580 31 56-01	PULLEY		1
52	580 31 52-01	SPACER		1
53	580 31 51-01	SERVICE TOOLS		1
54	580 31 50-01	SPACER		1
55	580 31 48-01	SPACER		1
56	580 31 47-01	WASHER		2
57	577 52 03-01	SPACER		1
58	575 36 08-01	SPACER		1
59	575 36 05-01	SPACER		1
60	575 36 10-01	SPACER		1
61	519 65 30-67	SHAFT		1
62	580 31 42-01	RETAINER RING		1
63	544 31 11-01	COLLAR		2
64	580 31 41-01	CLIP		1
65	519 65 30-21	KEY		1
66	577 45 36-01	CLIP		2
67	577 45 35-01	CLIP		6

Ref	Part No	Description	Remark	QTY KIT
68	531 00 82-37	HANDLE		1
69	544 31 49-01	WASHER		2
70	531 00 83-90	WASHER		2
71	519 65 34-53	WASHER		1
72	544 20 81-01	WASHER		4
73	531 00 85-39	WASHER		1
74	519 65 34-30	NUT		4
75	519 65 34-32	NUT		3
76	531 00 85-78	NUT		1
77	752 25 50-51	ECROU DE FREIN		3
78	519 65 34-58	NUT		2
79	544 20 79-01	NUT		5
80	732 26 16-01	HEXAGON LOCKING NUT		12
81	519 65 34-56	NUT		2
82	580 31 38-01	SCREW		1
83	577 45 38-01	SCREW		1
200	580 32 17-01	HOUSING		2
201	531 00 85-76	RING		2
202	580 31 70-01	BLADE SHAFT		1
203	519 65 30-57	PINION		1
204	580 31 63-01	CHAIN		1
205	580 31 59-01	BALL BEARING		1
206	519 65 30-53	BEARING		2
207	531 00 85-46	RING		1
208	580 31 54-01	SPACER		1
209	580 31 53-01	SPACER		1
210	580 31 39-01	INSERT		2
211	732 26 16-01	HEXAGON LOCKING NUT		18
212	580 31 37-01	SCREW		18
84	576 14 52-01	SCREW		1
85	531 00 85-86	SCREW		2
86	728 69 23-00	SCREW		1
87	580 31 35-01	SCREW		4
88	519 65 30-10	SCREW		1
89	580 40 78-01	SCREW		1
90	531 00 82-20	BOLT		1
91	519 65 31-31	SCREW		1
92	575 36 18-01	SCREW		1
93	544 20 77-01	SCREW		1
94	519 65 30-46	SCREW		1
95	519 65 34-55	SCREW		1
96	575 36 16-01	SCREW		4
97	519 65 34-13	SCREW		4
98	580 31 34-01	SCREW		1
99	576 14 54-01	SCREW		1
100	519 65 34-35	SCREW		8
101	519 65 31-14	SCREW		2
102	580 49 29-01	SCREW		1
103	531 00 85-47	BLADE		1
104	531 00 85-48	BLADE		1
105	522 99 54-01	SCREW		1
966 78 69-01	966 78 69-01	PETROL TILLER		1



PRODUCT COMPLETE

TF 434, 9670306-01, 2012-09

Ref	Part No	Description	Remark	QTY KIT
1	580 32 25-01	PLATE		1
2	580 32 01-01	WASHER		1
3	580 32 00-01	WASHER		1
4	580 31 99-01	O-RING		1
5	580 31 98-01	O-RING		1
6	580 31 97-01	CAP		2
7	580 31 86-01	GUIDE		2
8	580 31 85-01	LEVER		1
9	580 31 84-01	CASE		1
10	580 31 83-01	CASE		1
11	580 31 71-01	SPRING		1
12	580 31 69-01	GEAR		1
13	580 31 68-01	GEAR		1
14	580 31 67-01	GEAR		1
15	580 31 66-01	GEAR		1
16	580 31 65-01	GEAR		1
17	580 31 62-01	BALL BEARING		1
18	580 31 61-01	BALL BEARING		1
19	580 31 60-01	BALL BEARING		4
20	580 31 55-01	FORK		1
21	580 31 49-01	SPACER		1
22	580 31 46-01	SHAFT		1
23	580 31 45-01	SHAFT		1
24	580 31 44-01	SHAFT		1
25	580 31 43-01	SHAFT		1
26	580 31 40-01	COTTER PIN		1
27	580 31 36-01	SCREW		10
28	531 00 94-49	SCREW		1
29	522 99 55-01	SCREW		4
30	580 31 33-01	OIL		1