

LTH18538

Spare parts

Ersatzteile

Pièces détachées

Reserve onderdelen

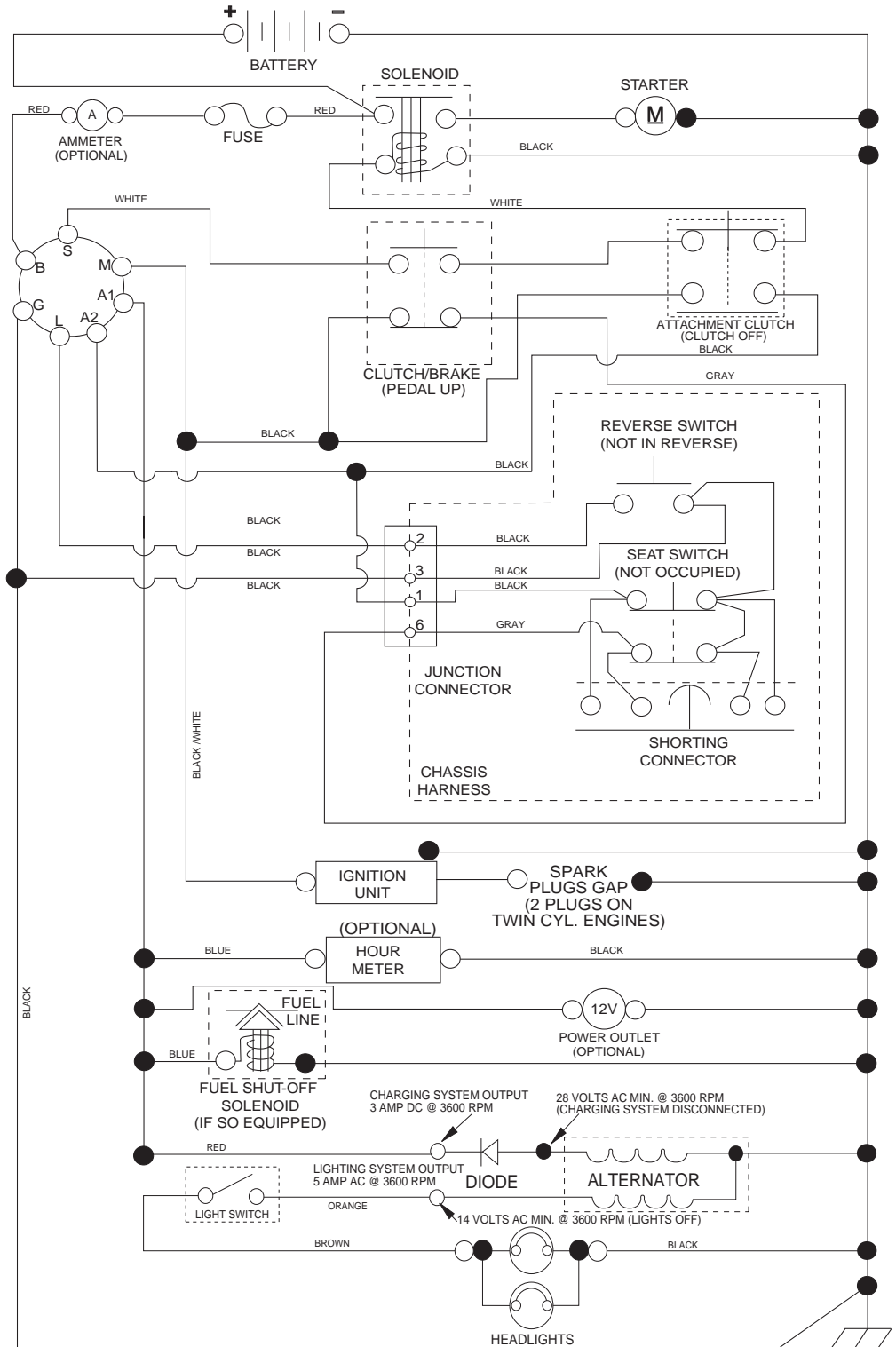
Repuestos

Reservdelar

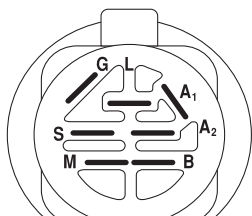
TRACTOR - - MODEL NUMBER LTH18538 (250170)

SCHEMATIC

SCH11

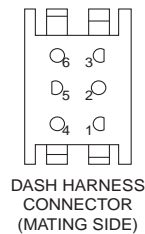
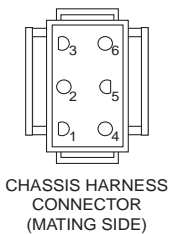


NOTE
YOUR TRACTOR IS EQUIPPED WITH A SPECIAL ALTERNATOR SYSTEM. THE LIGHTS ARE NOT CONNECTED TO THE BATTERY, BUT HAVE THEIR OWN ELECTRICAL SOURCE. BECAUSE OF THIS, THE BRIGHTNESS OF THE LIGHTS WILL CHANGE WITH ENGINE SPEED. AT IDLE THE LIGHTS WILL DIM. AS THE ENGINE IS SPEEDED UP, THE LIGHTS WILL BECOME THEIR BRIGHTEST.

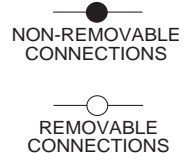


IGNITION SWITCH

POSITION	CIRCUIT	"MAKE"
OFF	M+G+A1	
RUN/OVERRIDE	B+A1	
RUN	B+A1	L+A2
START	B + S + A1	



WIRING INSULATED CLIPS
NOTE: IF WIRING INSULATED CLIPS WERE REMOVED FOR SERVICING OF UNIT, THEY SHOULD BE RE-INSTALLED TO PROPERLY SECURE YOUR WIRING.



TRACTOR -- MODEL NUMBER LTH18538 (250170)

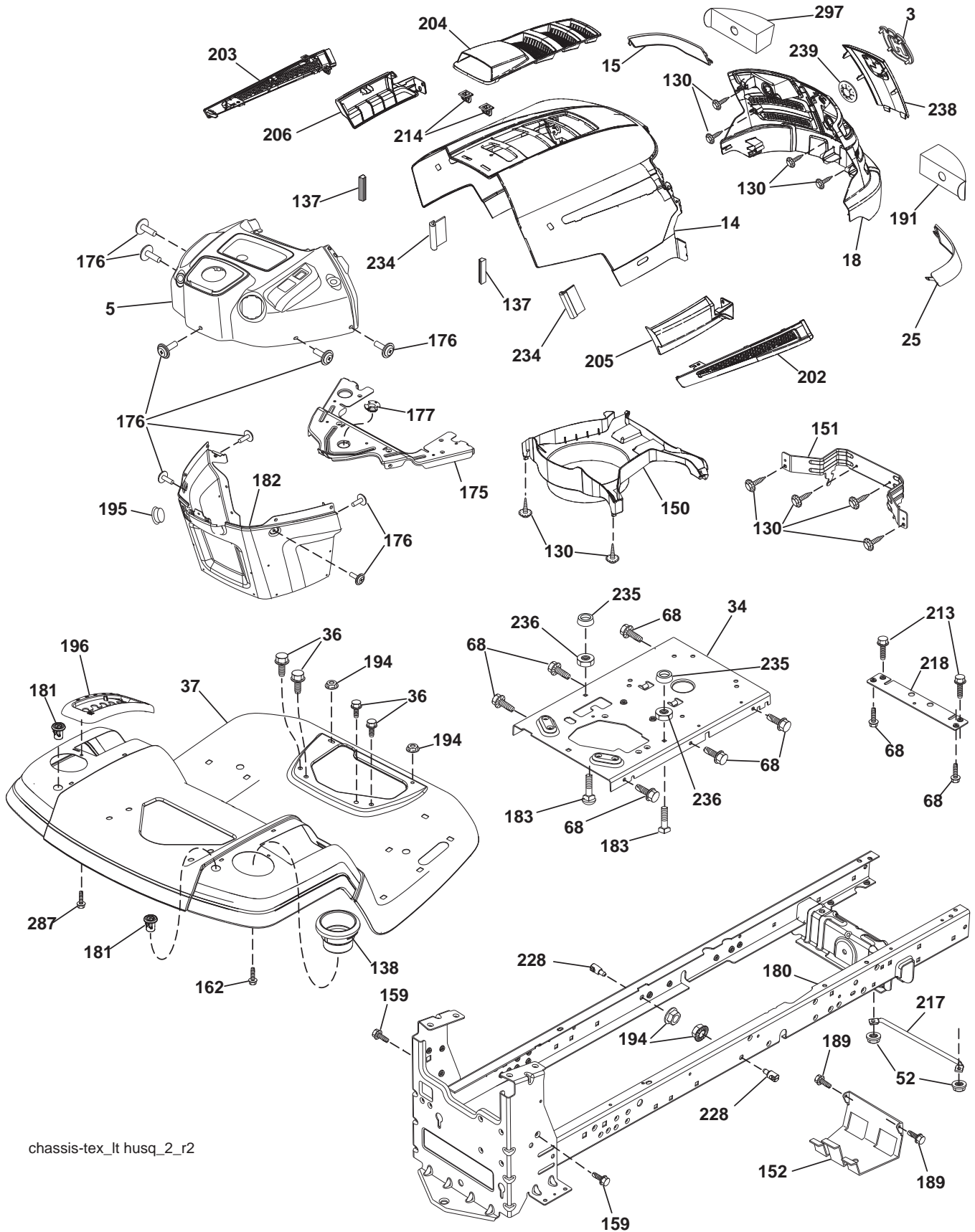
ELECTRICAL

KEY NO.	PART NO.	DESCRIPTION
1	532 16 34-65	Battery
2	874 76 04-12	Bolt Hex Head 1/4-20 x 3/4
8	532 19 32-28	Box Battery
16	532 17 61-38	Switch Interlock Push-In
21	532 40 02-52	Harness Socket Light w/4152J
22	532 00 41-52	Bulb Light
25	532 41 28-94	Cable Starter
26	532 17 51-58	Fuse
27	873 51 04-00	Nut Keps Hex 1/4-20 unc
28	532 19 88-85	Cable, Ground
29	532 40 15-45	Switch, Seat
30	532 19 33-50	Switch, Ign
33	532 41 19-33	Key/Chain
34	532 11 07-12	Switch Light/Reset
40	532 40 10-98	Harness Ign. Dash
41	817 72 04-08	Screw Thd Cut 1/4-20 x 1/2
42	532 13 15-63	Cover, Terminal
43	532 19 25-07	Solenoid
55	817 06 05-12	Screw Thdrol 5/16-18 x 3/4
71	532 44 15-44	Harness Ign. Chassis/Lift
79	532 17 52-42	Socket Asm Bulb Twistlock
87	532 19 78-02	Switch Interlock Clutch Cable
90	532 43 53-95	Cover, Terminal Battery
92	532 19 66-15	Harness Pigtail Reverse Switch
93	532 19 25-40	Screw Plastite 10-14 x 2.0
94	532 19 18-34	Module Reverse ROS

NOTE: All component dimensions given in U.S. inches
1 inch = 25.4 mm

TRACTOR -- MODEL NUMBER LTH18538 (250170)

CHASSIS



chassis-tex_lt husq_2_r2

TRACTOR - - MODEL NUMBER LTH18538 (250170)

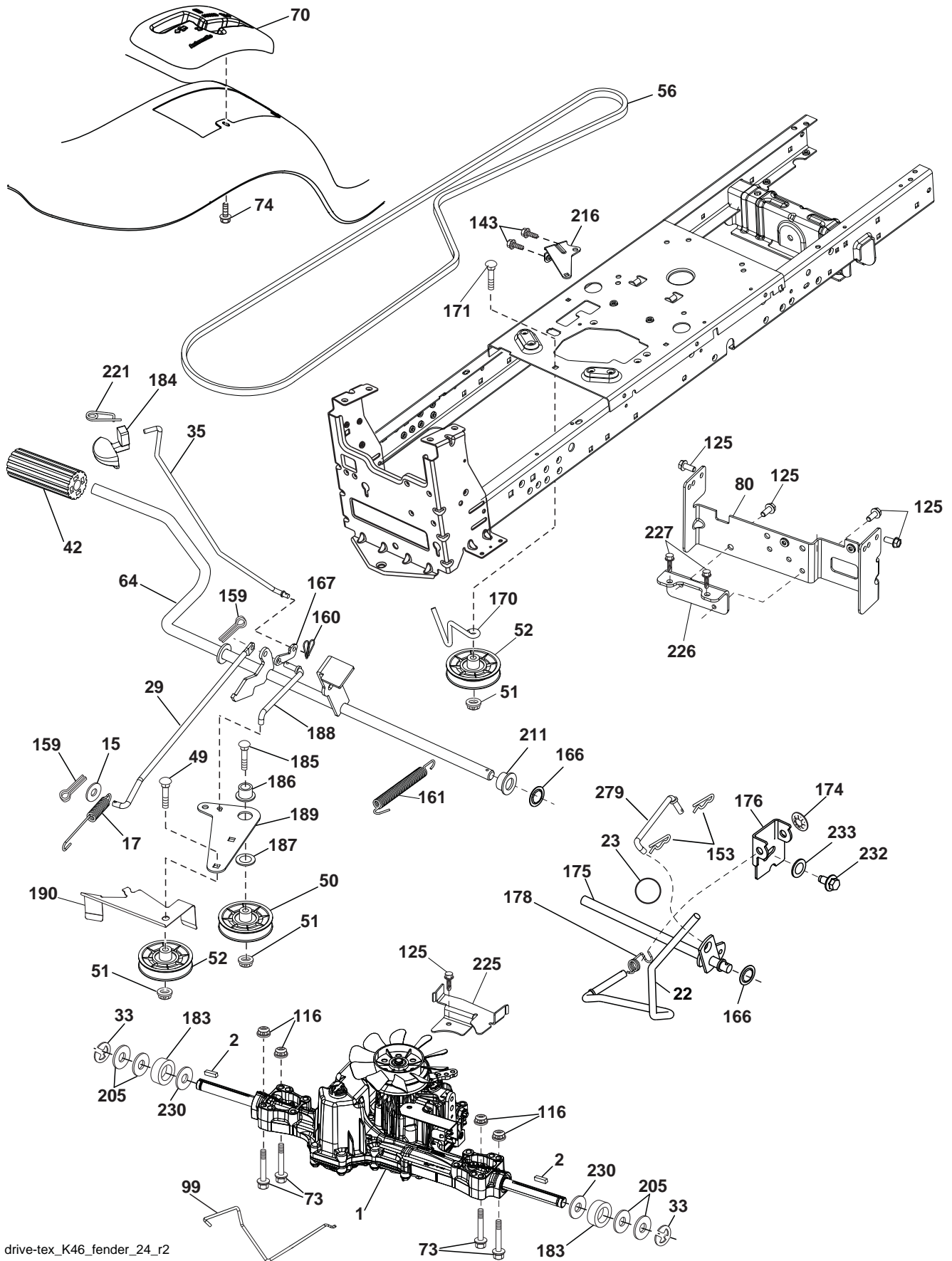
CHASSIS

KEY NO.	PART NO.	DESCRIPTION	KEY NO.	PART NO.	DESCRIPTION
3	532 40 50-12	Logo	189	817 00 05-12	Screw 5/16-18 x 3/4
5	532 43 89-64	Dash	191	532 41 65-01	Insert Reflective RH
14	532 44 12-67	Hood	194	873 90 05-00	Nut Lock Hex Flange 5/16-18
15	532 44 14-28	Lens LH	195	532 43 99-76	Plug Dash
18	532 44 13-68	Grille	196	532 43 96-47	Console Asm. Deck Lift
25	532 44 14-27	Lens RH	202	532 44 13-42	Vent Side Hood RH
34	532 44 72-53	Plate Engine	203	532 44 13-43	Vent Side Hood LH
36	817 06 05-12	Screw 5/16-18 x 3/4	204	532 44 13-75	Vent Top Hood
37	532 44 12-66	Fender	205	532 44 13-44	Skirt Side RH
52	873 68 05-00	Nut Crown Lock 5/16	206	532 44 13-45	Skirt Side LH
68	817 49 05-08	Screw THDROL 5/16-18 x 1/2	213	874 76 05-12	Bolt 5/16-18 x 3/4
130	532 41 63-58	Screw #10 x 0.750 BOS Thread	214	532 19 91-45	Clip Retainer
137	532 40 75-90	Bumper Dash	217	532 40 91-67	Rod Pivot Hood
138	532 43 97-47	Cupholder	218	532 19 63-95	X-Piece Hood Stop
150	532 40 66-62	Air Duct	228	532 19 51-61	Stud Fastener
151	532 40 78-07	Bracket Pivot	234	532 40 47-42	Bumper Hood
152	532 19 95-35	Shield Browning	235	532 40 61-29	Spacer Fender
159	817 00 06-12	Screw Hexwash Thor 3/8-16 x 3/4	236	873 93 05-00	Nut Lock 5/16-18 unc
162	532 14 24-32	Screw	238	532 44 13-74	Trim
175	532 19 94-72	Crossmember Plate	239	532 40 48-83	Clip Tinnerman
176	532 40 07-76	Screw 10-24 x 5/8	287	817 60 04-06	Screw Hex Washhead 1/4-20 x 3/8
177	532 19 52-28	Bushing Steering	297	532 40 66-65	Insert reflective LH
180	532 19 54-57	Chassis			
181	532 43 97-46	Bushing Mtg. Fender Crgo			
182	532 40 71-76	Dash Lower			
183	874 52 05-20	Bolt 5/16-18 x 1-1/4 Full Thd			

NOTE: All component dimensions given in U.S. inches
1 inch = 25.4 mm

TRACTOR -- MODEL NUMBER LTH18538 (250170)

DRIVE



drive-tex_K46_fender_24_r2

TRACTOR - - MODEL NUMBER LTH18538 (250170)

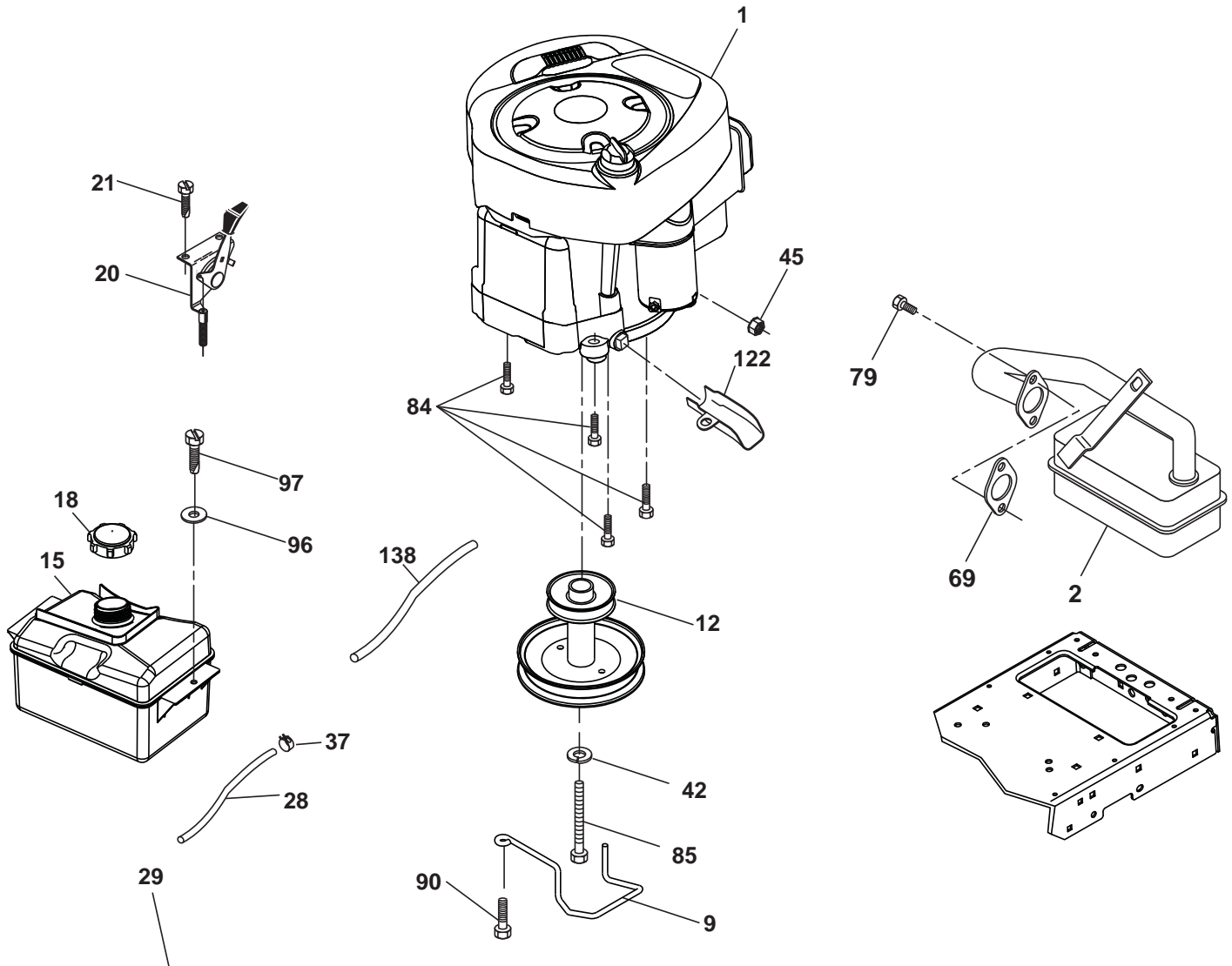
DRIVE

KEY NO.	PART NO.	DESCRIPTION	KEY NO.	PART NO.	DESCRIPTION
1	- - - - -	Transaxle, Tufftorq K46BA (408214) (See transaxle breakdown.)	167	532 40 52-57	Latch Brake Parking
2	532 12 35-83	Key Square	170	532 19 43-22	Keeper Belt Centerspan
15	819 13 13-16	Washer 13/32 x 13/16 x 16 Ga.	171	872 11 06-16	Bolt 3/8-16 unc x 2
17	532 41 36-78	Spring, Brake	174	532 19 72-89	Nut Push
22	532 19 76-60	Rod Shift	175	532 40 62-08	Shaft Asm Shift
23	532 14 08-45	Knob	176	532 19 62-14	Arm Clevis Rod Shift
29	532 40 38-06	Rod, Brake	178	532 19 74-56	Spring Shift
33	812 00 00-01	Ring E	183	532 13 70-57	Spacer Axle
35	532 40 10-31	Rod, Brake, Park	184	532 44 14-07	Handle Parking Brake
42	532 12 48-72	Cover, Foot Pedal	185	872 11 06-22	Bolt
49	872 11 06-14	Bolt	186	532 19 43-21	Spacer Retainer
50	532 19 43-27	Pulley Idler Flat	187	819 13 32-10	Washer
51	873 90 06-00	Lock Nut 3/8-16	188	532 19 43-23	Link Clutch Ground Drive
52	532 19 43-26	Idler V-Groove	189	532 19 43-17	Bellcrank Ground Drive
56	532 13 09-69	V-Belt, Drive	190	532 19 43-18	Keeper Bellcrank Ground Drive
64	532 19 62-00	Shaft Asm. Pedal Brake Control	205	532 12 17-48	Washer 25/32 x 1-5/8 x 16 Ga.
70	532 43 99-71	Console	211	532 19 62-12	Bushing Shaft
73	874 49 05-40	Bolt Hex 5/16-18 x 2-1/2 Gr. 5	216	532 19 61-31	Bracket Pulley Idler
74	532 14 24-32	Screw 1/4 x 1/2	221	532 40 31-87	Retainer Spring Clip Handle
80	532 44 06-19	Strap Torque	225	532 40 33-19	Keeper Belt Transaxle
99	532 41 57-42	Rod Spring Bypass	226	532 40 15-64	Bracket Mount Torque
116	873 90 05-00	Nut Lock Hex Flange 5/16-18	227	817 49 05-12	Screw 5/16-18 x 3/4
125	817 00 05-12	Screw 5/16-18 x 3/4	230	532 18 89-67	Washer Harden .793 x 1.637 x 060
143	817 49 05-08	Screw THDROL 5/16-18	232	874 78 07-16	Bolt 7/16-14 x 1 Gr 5
153	532 12 47-88	Retainer Spring 1"	233	532 40 52-96	Washer Serrated
159	876 02 04-12	Pin Cotter 1/8 x 3/4	279	532 40 62-07	Link Shift
160	532 16 94-84	Retainer Clip			
161	532 10 57-09	Spring, Return, Clutch			
166	532 42 91-64	Nut Push .625			

NOTE: All component dimensions given in U.S. inches
1 inch = 25.4 mm

TRACTOR -- MODEL NUMBER LTH18538 (250170)

ENGINE



OPTIONAL EQUIPMENT
Spark Arrester

engine-tex_BS_65

TRACTOR - - MODEL NUMBER LTH18538 (250170)

ENGINE

KEY NO.	PART NO.	DESCRIPTION
1	-- -- -- --	Engine Briggs Model No. 31N707-3374-G5 (438208) (See engine breakdown.)
2	532 13 73-52	Muffler
9	532 19 43-20	Keeper Belt Engine
12	532 40 54-71	Pulley Engine
15	532 43 30-03	Tank Fuel
18	532 43 85-96	Cap Fuel
20	532 18 38-97	Control Throttle/Choke
21	532 41 63-58	Screw #10 x 0.750 BOS Thread
28	532 40 11-37	Fuel Line
29	532 13 71-80	Spark Arrester Kit
37	532 12 34-87	Clamp Hose
42	810 04 07-00	Washer Lock 7/16
45	873 51 04-00	Nut Keps Hex 1/4-20 unc
69	532 16 52-91	Gasket
79	532 19 23-34	Screw 5/16-18 x 3/4
84	817 06 06-20	Screw 3/8-16 x 1/4
85	532 17 39-37	Bolt Hex 7/16-20 x 4 Gr. 5
90	817 00 06-16	Screw 3/8-16 x 1
96	819 09 14-16	Washer 9/32 x 7/8 x 16 Ga.
97	817 67 04-12	Screw 1/4-20 x 3/4
122	532 42 19-22	Extension Drain Oil
138	532 41 41-19	Purge Line

NOTE: All component dimensions given in U.S. inches
1 inch = 25.4 mm

For engine service and replacement parts, call the toll free number for your engine manufacturer listed below:

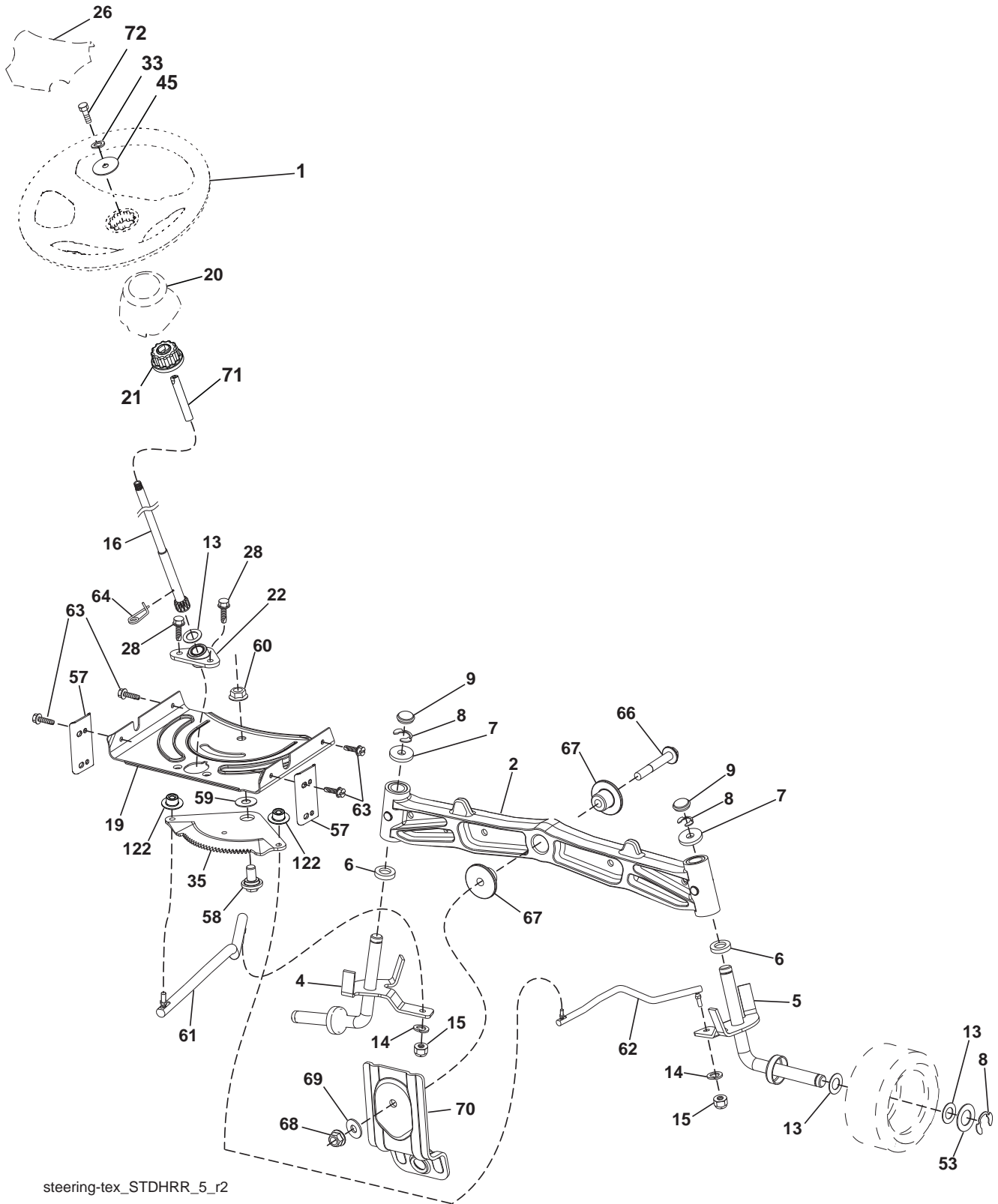
Briggs & Stratton 1-800-233-3723

Engine Power Rating Information

The gross power rating for individual gas engine models is labeled in accordance with SAE (Society of Automotive Engineers) code J1940 (Small Engine Power & Torque Rating Procedure), and rating performance has been obtained and corrected in accordance with SAE J1995 (Revision 2002-05). Torque values are derived at 3060 RPM; horsepower values are derived at 3600 RPM. Actual gross engine power will be lower and is affected by, among other things, ambient operating conditions and engine-to-engine variability. Given both the wide array of products on which engines are placed and the variety of environmental issues applicable to operating the equipment, the gas engine will not develop the rated gross power when used in a given piece of power equipment (actual "on-site" or net power). This difference is due to a variety of factors including, but not limited to, accessories (air cleaner, exhaust, charging, cooling, carburetor, fuel pump, etc.), application limitations, ambient operating conditions (temperature, humidity, altitude), and engine-to-engine variability. Due to manufacturing and capacity limitations, Briggs & Stratton may substitute an engine of higher rated power for this Series engine.

TRACTOR -- MODEL NUMBER LTH18538 (250170)

STEERING ASSEMBLY



steering-tex_STDHRR_5_r2

TRACTOR - - MODEL NUMBER LTH18538 (250170)

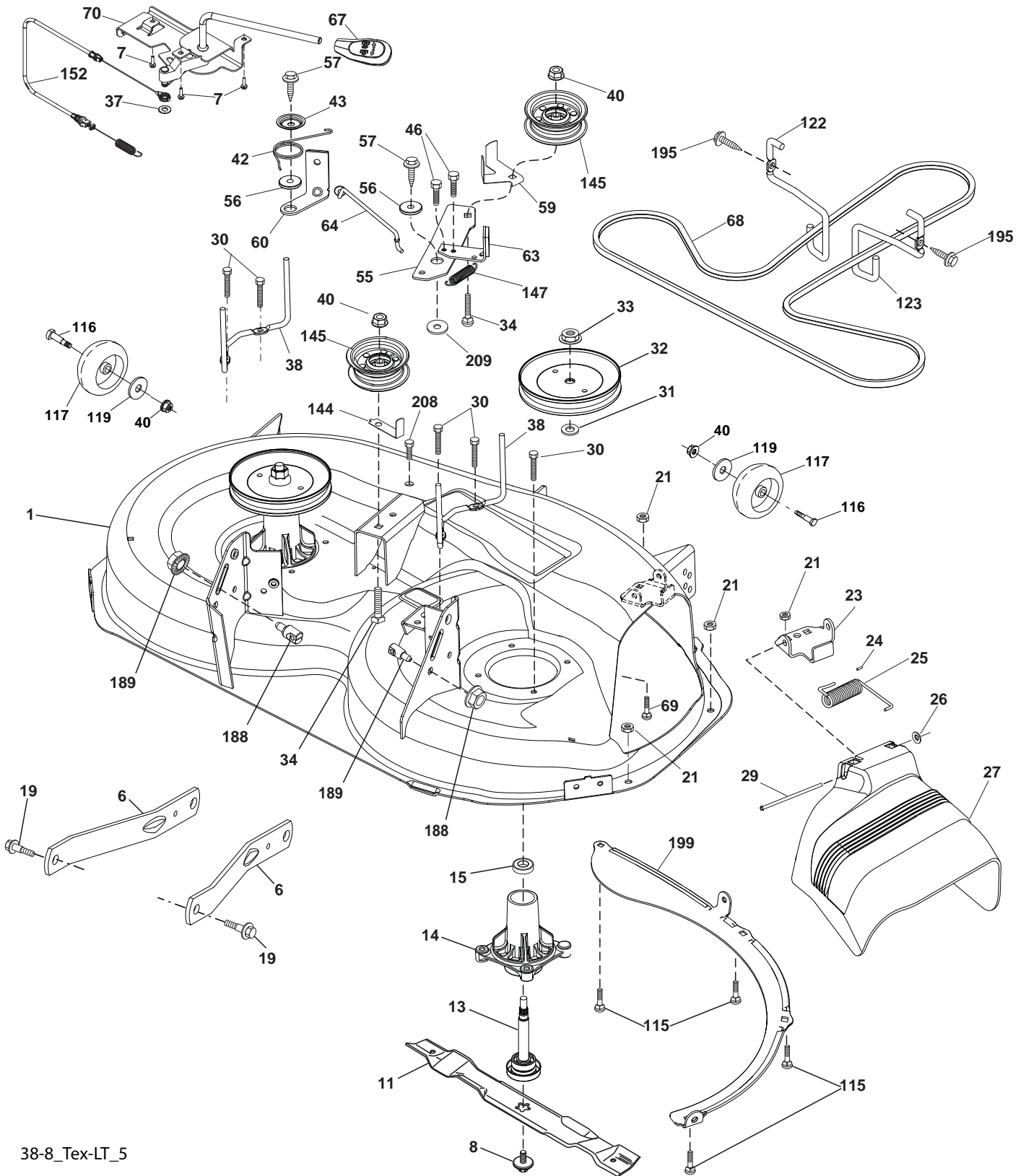
STEERING ASSEMBLY

KEY NO.	PART NO.	DESCRIPTION
1	532 43 99-97	Wheel, Steering
2	532 19 59-68	Axle Asm., Front
4	532 40 30-87	Spindle Asm., LH
5	532 40 30-88	Spindle Asm., RH
6	532 12 49-31	Bearing, Race Thrust Harden
7	532 12 17-48	Washer 25/32 x 1-5/8 x 16 Ga.
8	812 00 00-29	Ring, Klip #T5304-75
9	532 12 12-32	Cap, Spindle
13	532 12 17-49	Washer 25/32 x 1-1/4 x 16 Ga.
14	810 04 06-00	Washer, Lock Hvy Hlcl Spr 3/8
15	873 54 06-00	Nut, Crown Lock 3/8-24 unf
16	532 42 93-74	Shaft Steering
19	532 19 47-29	Plate Steering
20	532 44 14-25	Boot Steering
21	532 18 67-37	Adapter, Wheel Steering
22	532 42 05-37	Strg. Supt. Lower
26	532 43 97-43	Insert, Wheel Steering
28	817 00 06-12	Screw 3/8-16 x 3/4
33	810 04 05-00	Washer Lock Hvy HLCL SPR. 5/16
35	532 19 47-32	Gear, Sector Plate
45	819 11 38-12	Washer 11/32 ID x 2 3/8 OD x 12 Ga.
53	532 18 89-67	Washer Hardened .793 x 1.637 x .060
57	532 40 74-65	Bracket Upstop
58	532 19 47-47	Bolt Shoulder Sector Pivot CFM
59	532 19 47-48	Washer Thrust Sector Steering
60	873 97 10-00	Nut Flange Lock 5/8-11
61	532 19 47-40	Draglink, LH
62	532 19 47-41	Draglink, RH
63	817 00 05-12	Screw 5/16-18 x 3/4
64	532 19 98-49	Retainer Clip Spring Steering
66	871 02 07-48	Bolt Hex Fghd 7/16-14 x 3 Serr
67	532 19 47-37	Bushing PM Front Axle
68	873 90 07-00	Nut Lock Flange 7/16-14 Gr. 5
69	532 19 91-62	Washer 1.5 x .505 x .118
70	532 19 61-97	Bracket Deck Susp. Front
71	532 19 07-52	Shaft Exten. Strg.
72	532 42 89-82	Bolt Fin Hx. 5/16-18 x 4 w/Patch
122	532 44 49-62	Cap Gear Sector

NOTE: All component dimensions given in U.S. inches
1 inch = 25.4 mm

TRACTOR -- MODEL NUMBER LTH18538 (250170)

MOWER DECK



38-8_Tex-LT_5

TRACTOR - - MODEL NUMBER LTH18538 (250170)

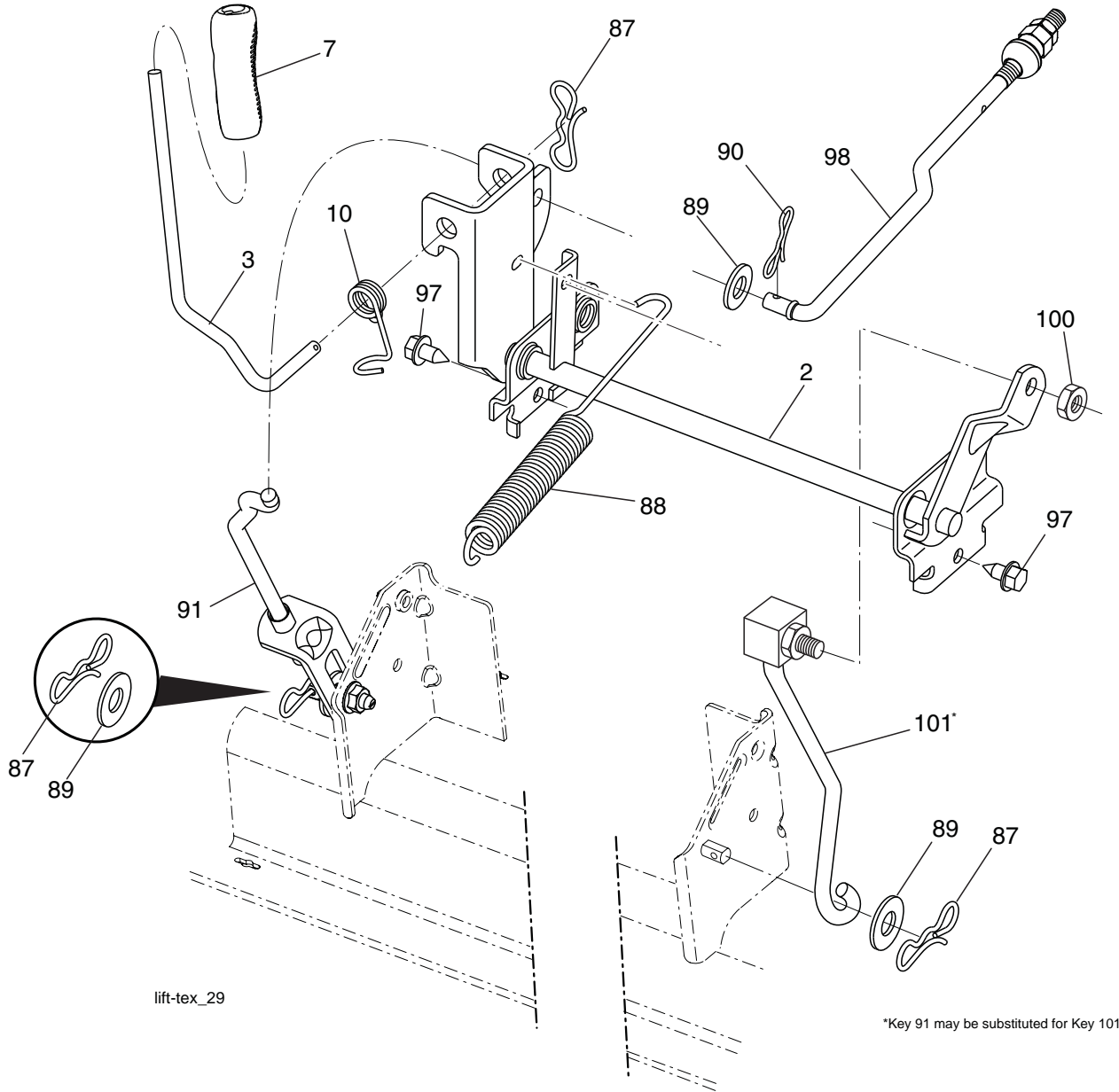
MOWER DECK

KEY NO.	PART NO.	DESCRIPTION	KEY NO.	PART NO.	DESCRIPTION
1	532 44 45-33	Mower Housing	63	532 19 94-70	Arm Brake Mower RH
6	532 19 51-86	Arm Suspension	64	532 19 99-18	Link Brake
7	532 41 63-58	Screw #10 x 0.750 BOS Thread	67	532 40 30-12	Handle Clutch Cable
8	532 19 30-03	Bolt/Washer asm 7/16-20 unf	68	532 40 83-81	V-Belt
11	532 19 39-57	Blade 38" 3N1 PREMIUM	69	872 14 05-05	Bolt
13	532 19 28-72	Shaft Assembly, Mandrel	70	532 40 12-46	Clutch Asm Manual
14	532 18 72-81	Housing, Mandrel	115	872 11 05-05	Bolt Carr. 5/16-18 x 5/8
15	532 11 04-85	Bearing, Ball, Mandrel	116	532 12 48-42	Bolt, Shoulder
19	532 19 65-39	Bolt, Shoulder	117	532 18 86-06	Wheel, Gauge
21	873 68 05-00	Nut, Crownlock 5/16-18 unc	119	819 12 14-14	Washer 3/8 x 7/8 x 14 Ga.
23	532 19 25-57	Bracket, Deflector	122	532 19 72-58	Keeper Belt Engine LH
24	532 10 53-04	Cap, Sleeve	123	532 19 72-59	Keeper Belt Engine RH
25	532 19 70-26	Spring, Torsion, Deflector	144	532 19 34-14	Keeper Belt
26	532 11 04-52	Nut, Push	145	532 19 31-97	Pulley Idler
27	532 19 39-68	Shield, Deflector	147	532 40 18-72	Spring Return
29	532 13 14-91	Rod, Hinge	152	532 43 51-11	Manual Clutch Cable
30	532 17 39-84	Screw Thdrol Rolling Wsh Hd	188	532 19 51-61	Stud Fastener
31	532 18 76-90	Washer, Spacer	189	873 90 05-00	Nut Lock Hex Flange
32	532 19 97-89	Pulley, Mandrel	195	817 00 06-12	Screw 3/8-16 x 3/4
33	532 40 02-34	Nut, Toplock, Flanged	199	532 40 00-95	Baffle Vortex
34	872 11 06-12	Bolt Carr Sh. 3/8-16 x 1-1/2 Gr. 5	208	817 67 06-08	Screw Thdrol 3/8-16 x 1/2
37	819 13 13-16	Washer	209	819 13 32-10	Washer 13/32 x 2 x 10
38	532 19 95-41	Keeper Belt LH Mandrel	--	532 19 28-70	Mandrel Assembly (Includes housing, shaft assembly, and bearing only - pulley/nut/washer and blade bolt/washers not included)
40	873 90 06-00	Nut, Lock Flg. 3/8-16 unc	--	532 41 07-16	Replacement Mower, Complete
42	532 19 84-10	Spring Torsion Brake			
43	532 19 72-56	Spring Torsion Retainer			
46	532 13 77-29	Screw 1/4-20 x 5/8			
55	532 19 72-49	Arm, Idler			
56	532 19 90-92	Spacer, Retainer			
57	817 00 06-16	Screw 3/8-16 x 1			
59	532 14 10-43	Guard, Tuv Idler			
60	532 19 94-71	Arm Brake Mower LH			

NOTE: All component dimensions given in U.S. inches
1 inch = 25.4 mm

TRACTOR -- MODEL NUMBER LTH18538 (250170)

MOWER LIFT



lift-tex_29

*Key 91 may be substituted for Key 101

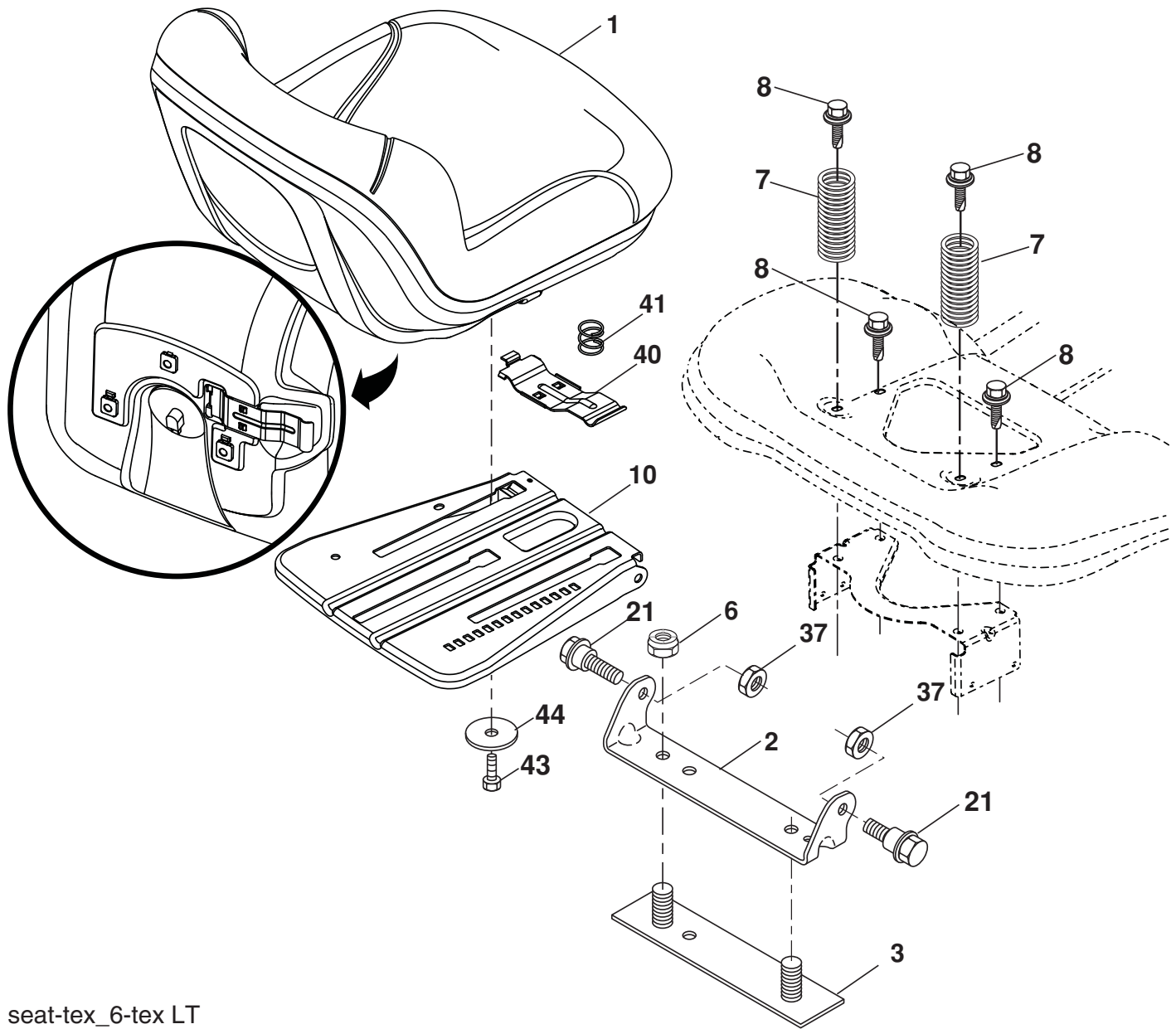
KEY NO.	PART NO.	DESCRIPTION
2	532 42 20-27	Shaft Asm., Lift
3	532 19 52-31	Lever Asm., Lift RH
7	532 41 15-55	Grip, Lever
10	532 19 63-14	Spring Torsion
87	532 19 42-09	Pin Cotter 7/16 Bow Tie Lock
89	819 19 19-12	Washer Clear Zinc
88	532 41 07-10	Spring
90	532 19 42-08	Pin Cotter 5/16 Bow Tie Lock

KEY NO.	PART NO.	DESCRIPTION
91	532 19 51-81	Link Asm Lift LH Rear
97	817 00 06-12	Screw Hex Wsh. THDR 3/8-16 x 3/4
98	532 19 52-70	Link Lift Susp. Front Mower
100	873 93 06-00	Nut Centerlock 3/8-16 unc
101	532 40 70-03	Link Asm. Lift FXD

NOTE: All component dimensions given in U.S. inches
1 inch = 25.4 mm

TRACTOR -- MODEL NUMBER LTH18538 (250170)

SEAT ASSEMBLY



seat-tex_6-tex LT

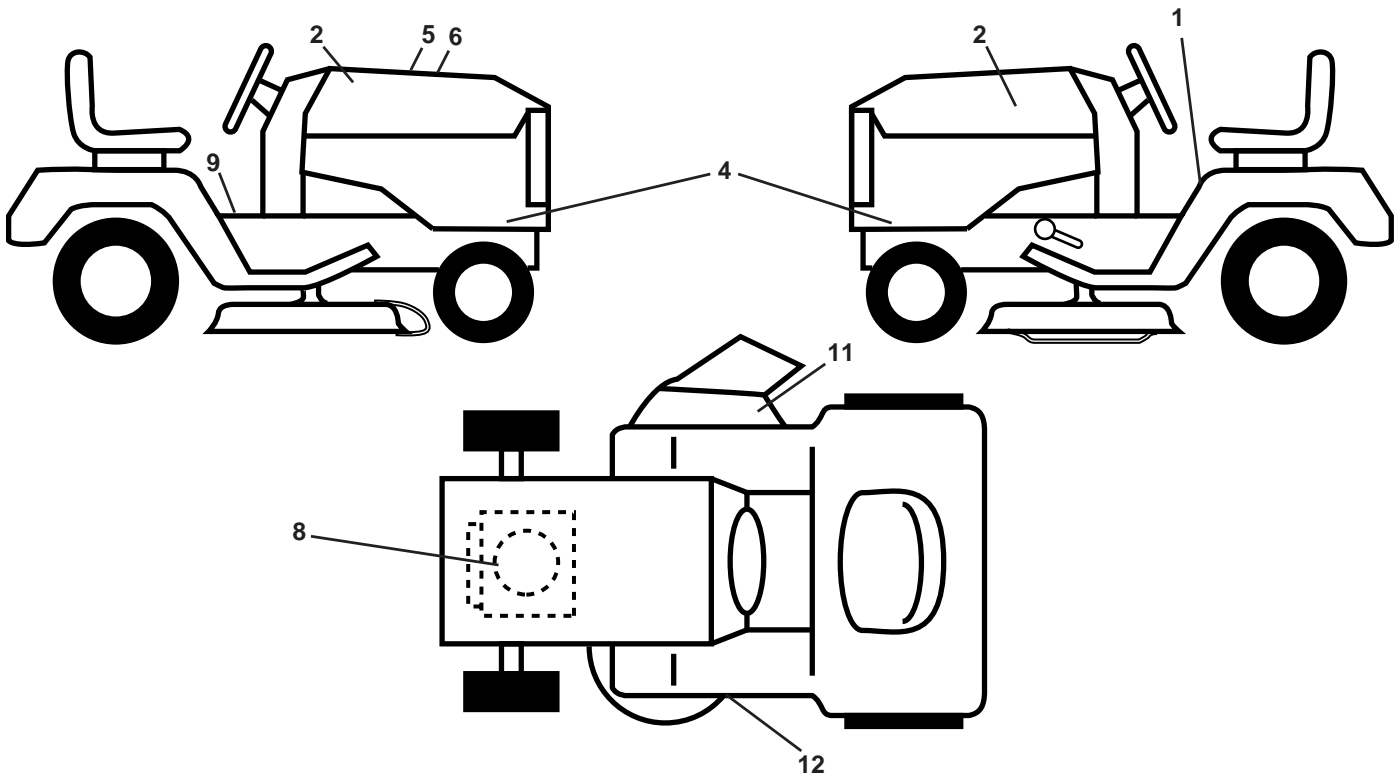
KEY NO.	PART NO.	DESCRIPTION
1	532 43 98-19	Seat
2	532 18 01-66	Bracket Pivot Fender
3	532 14 06-75	Strap, Asm Fender
6	873 80 06-00	Nut, Lock w/Ins. 3/8-16 unc
7	532 12 41-81	Spring, Seat Cprsn
8	532 17 18-77	Bolt 5/16-18 unc x 3/4 w/Sems
10	532 19 69-77	Pan, Seat
21	532 17 18-52	Bolt, Shoulder 5/16-18

KEY NO.	PART NO.	DESCRIPTION
37	873 80 05-00	Nut, Lock 5/16-18 unc
40	532 19 76-61	Handle Slide Seat
41	532 19 82-00	Spring Latch Seat
43	874 76 06-12	Bolt Fin Hex 3/8-16 unc x 3/4
44	819 13 38-12	Washer 13/32 x 2-3/8 x 12 Ga.

NOTE: All component dimensions given in U.S. inches
1 inch = 25.4 mm

TRACTOR -- MODEL NUMBER LTH18538 (250170)

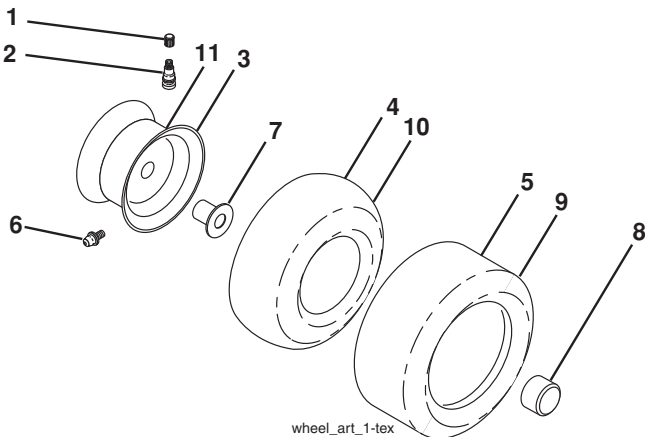
DECALS



KEY NO.	PART NO.	DESCRIPTION
1	532 41 16-57	Decal, Fender Warn./Instructions
2	532 42 91-96	Decal, Hood Logo
4	532 44 08-52	Decal, Hood Panel
5	532 42 38-29	Decal, Customer Respons.
6	532 44 70-07	Decal, Replacement
8	532 43 10-93	Decal, Engine
9	532 14 50-05	Decal, Battery Dnge/Poi

KEY NO.	PART NO.	DESCRIPTION
11	532 17 05-63	Decal, Warning
12	532 19 43-02	Decal, Mower V-Belt Schematic
--	532 16 69-60	Decal, Bypass
--	532 43 96-81	Pad, Footrest, LH
--	532 43 99-66	Pad, Footrest, RH
--	532 44 82-25	Manual, Operator's (English/Spanish)
--	532 44 82-26	Manual, Parts (English/Spanish)

WHEELS AND TIRES



KEY PART NO.	PART NO.	DESCRIPTION
1	532 05 91-92	Cap Valve Tire
2	532 06 51-39	Stem Valve
3	532 13 83-36	Rim Asm 6" Front
4	532 05 99-04	Tube Front (Service Item Only)
5	532 10 62-22	Tire Front 15 x 6.0-6
6	532 12 49-57	Fitting Grease (Front Wheel Only)
7	532 12 49-59	Bearing Flange (Front Wheel Only)
8	532 17 50-39	Cap Axle Blk 1 50 x 1 00
9	532 13 84-68	Tire R. 20 x 8-8 C. Service
10	532 12 49-26	Tube Rear (Service Item Only)
11	532 13 83-37	Rim Asm 8" Rear
--	532 14 43-34	Sealant, Tire (10 oz. Tube)

NOTE: All component dimensions given in U.S. inches
1 inch = 25.4 mm

TRACTOR - - MODEL NUMBER LTH18538 (250170)

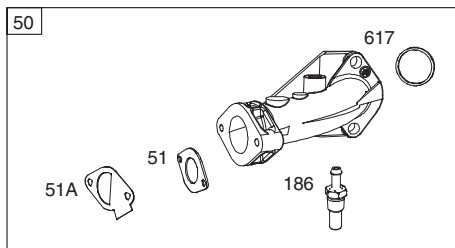
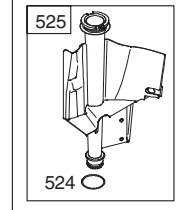
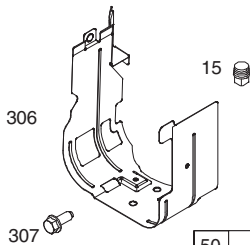
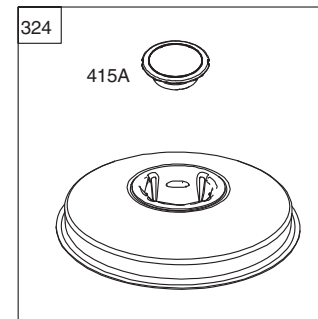
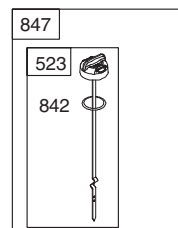
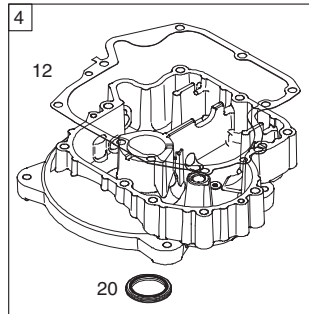
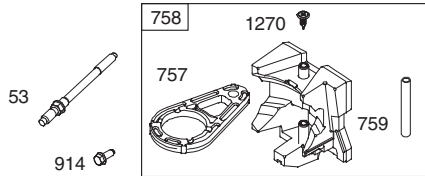
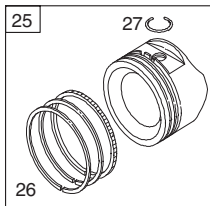
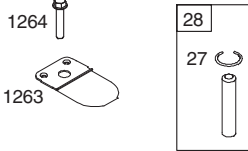
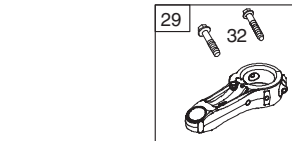
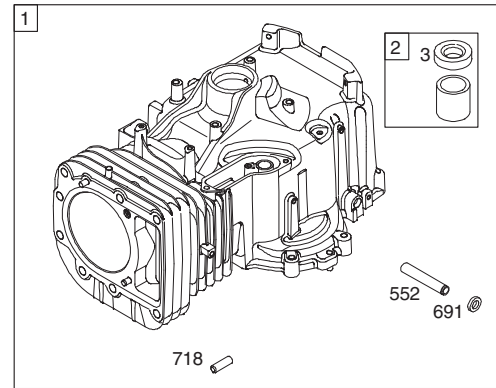
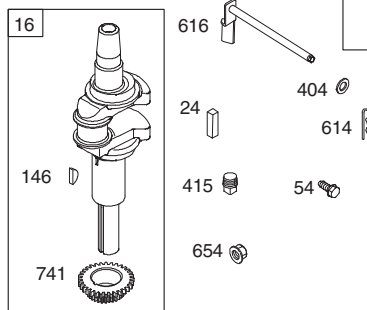
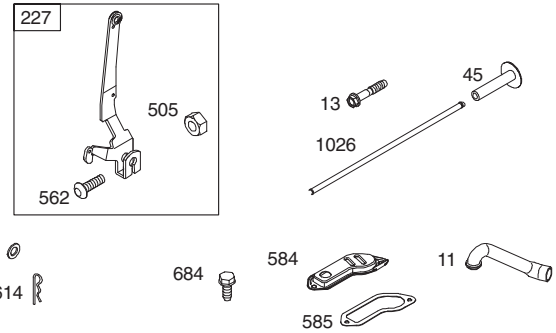
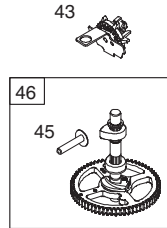
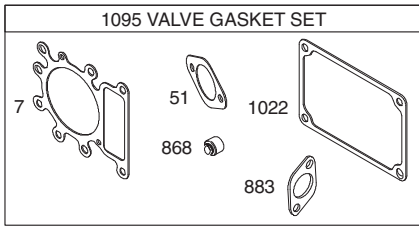
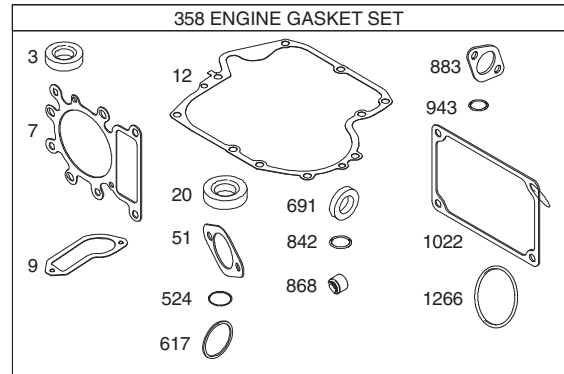
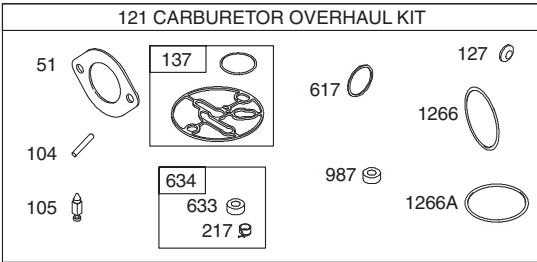
B&S ENGINE MODEL 31N707-3374-G5

48 SHORT BLOCK

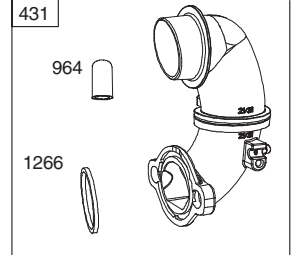
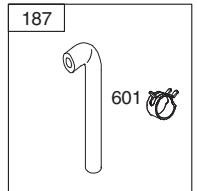
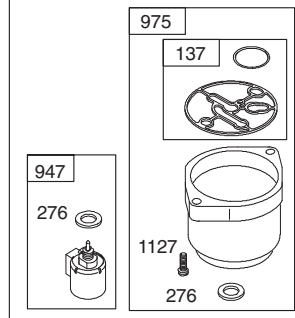
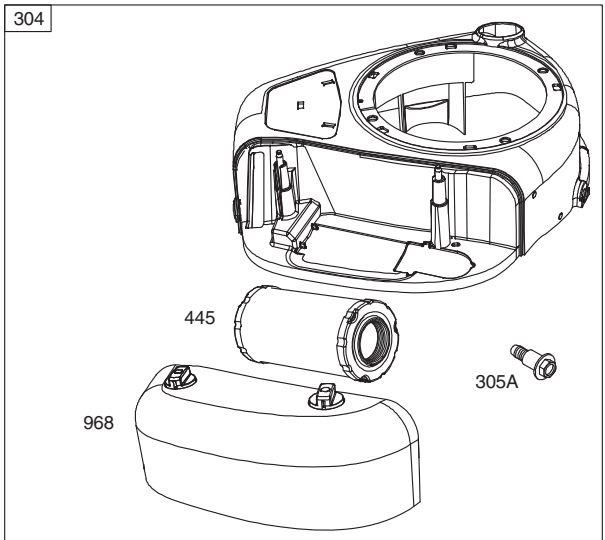
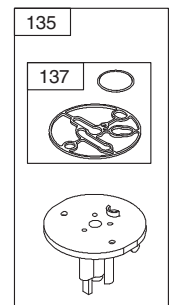
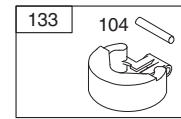
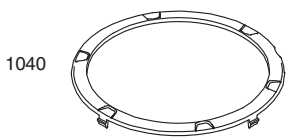
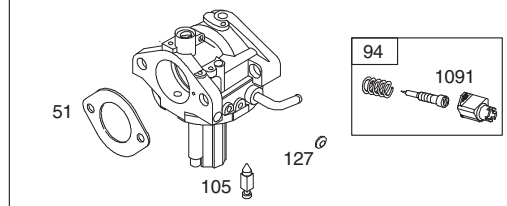
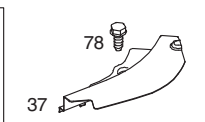
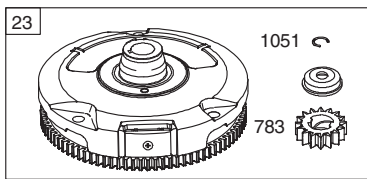
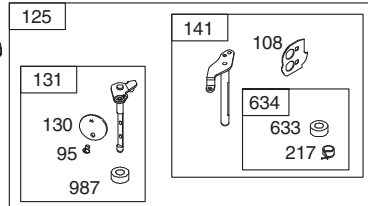
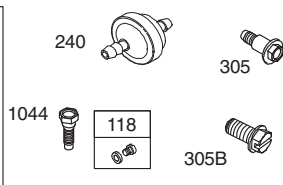
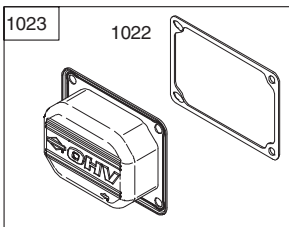
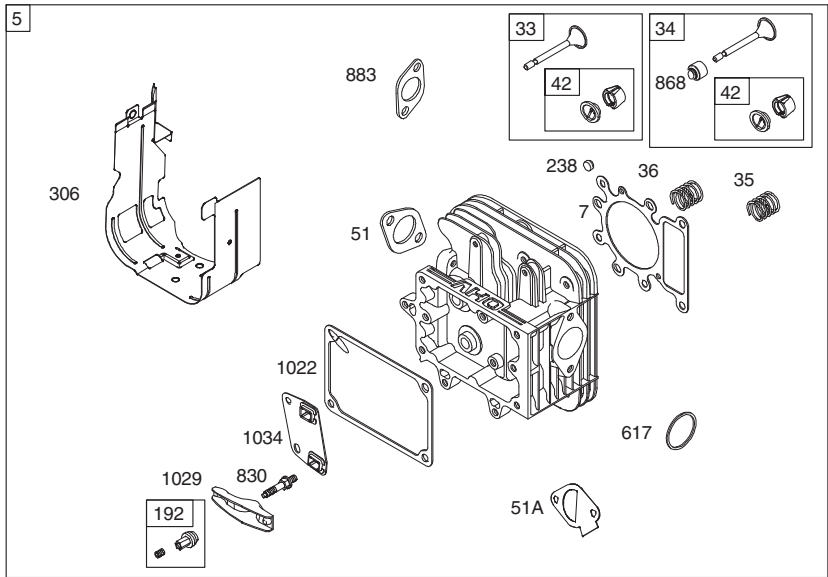
1036 EMISSIONS LABEL

1058 OPERATOR'S MANUAL

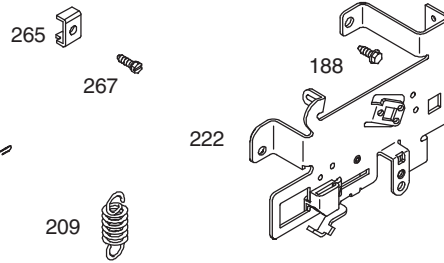
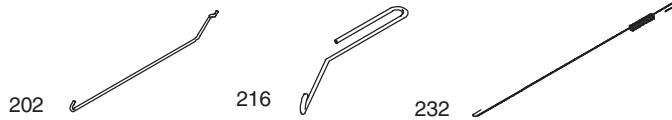
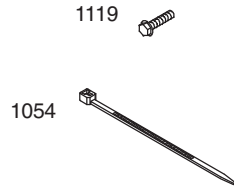
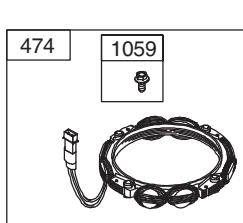
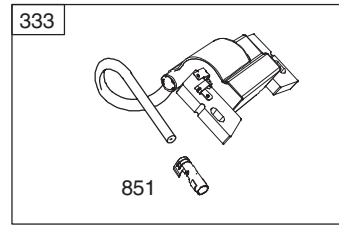
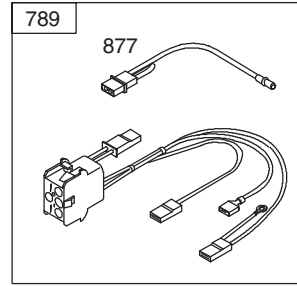
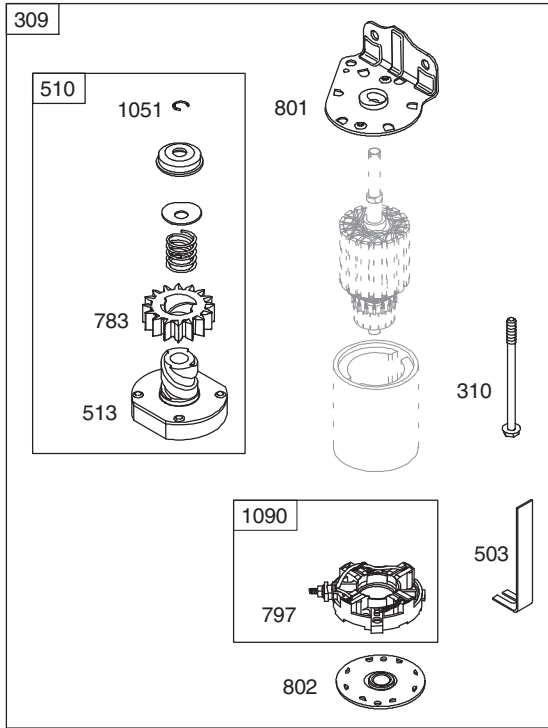
1329 REPLACEMENT ENGINE



TRACTOR - - MODEL NUMBER LTH18538 (250170)
B&S ENGINE MODEL 31N707-3374-G5



TRACTOR - - MODEL NUMBER LTH18538 (250170)
B&S ENGINE MODEL 31N707-3374-G5



TRACTOR - - MODEL NUMBER LTH18538 (250170)

B&S ENGINE MODEL 31N707-3374-G5

KEY NO.	PART NO.	DESCRIPTION	KEY NO.	PART NO.	DESCRIPTION
1	796010	Cylinder Assembly	216	691840	Link-Choke
2	797673	Bushing/Seal Kit (Magneto Side)	217	695409	Spring-Choke Return
3	391086s	Seal-Oil (Magneto Side)	222	694042	Bracket-Control
4	697106	Sump-Engine	227	691374	Lever-Governor Control
5	796026	Head-Cylinder	232	691842	Spring-Governor Link
7	796584	Gasket-Cylinder Head	238	691843	Cap-Valve
11	794683	Tube-Breather	240	394358s	Filter-Fuel
12	697110	Gasket-Crankcase	265	691024	Clamp-Casing
13	793988	Screw (Cylinder Head)	267	794904	Screw (Casing Clamp)
15	690946	Plug-Oil Drain	276	695410	Washer-Sealing
16	797579	Crankshaft	304	797900	Blower Housing
20	795387	Seal-Oil (PTO Side)	305	697102	Screw (Blower Housing)
22	692125	Screw (Crankcase Cover/Sump)			(1/4-20x1.14)
23	698281	Flywheel	305A	799370	Screw (Blower Housing)
24	96335	Key-Flywheel (Steel)			(1/4-20x.90)
25	796172	Piston Assembly (Standard)	305B	795891	Screw (Blower Housing)
	796173	Piston Assembly (.020" Oversize)			(BlowerHousing to Carburetor
26	791936	Ring Set (Standard)			Elbow) (10-16x.43)
	792649	Ring Set (.020" Oversize)	306	796006	Shield-Cylinder
27	698469	Lock-Piston Pin	307	691693	Screw (Cylinder Shield)
28	796007	Pin-Piston	309	693551	Motor-Starter
29	794122	Rod-Connecting	310	690323	Screw (Starter Motor)
32	791118	Screw (Connecting Rod)	324	796309	Screen/Cup Assembly
33	792868	Valve-Exhaust	333	799650	Armature-Magneto
34	791935	Valve-Intake	334	691061	Screw (Magneto Armature)
35	691279	Spring-Valve (Intake)	337	491055s	Plug-Spark
36	691279	Spring-Valve (Exhaust)	358	796187	Gasket Set-Engine
37	697352	Guard-Flywheel	404	691691	Washer (Governor Crank)
42	499586	Keeper-Valve	415	690283	Plug
43	691968	Slinger-Governor/Oil	415A	794129	Plug (Cover/Retainer)
45	690564	Tappet-Valve	431	797901	Elbow-Intake
46	793880	Gear-Cam	445	796031	Filter-Air Cleaner Cartridge
48	697761	Short Block	474	696459	Alternator
50	591248	Manifold-Intake	503	691532	Strap-Starter
51	692137	Gasket-Intake	505	691251	Nut (Governor Control Lever)
51A	796081	Gasket-Intake	510	693699	Drive-Starter
53	591260	Stud (Carburetor)	513	692024	Clutch-Drive
54	691148	Screw (Intake Manifold)	523	699908	Dipstick
78	691693	Screw (Flywheel Guard)	524	691032	Seal-Dipstick Tube
94	793610	Kit-Idle Mixture	525	697184	Tube-Dipstick
95	690718	Screw (Throttle Valve)	552	697144	Bushing-Governor Crank
98	695408	Kit-Idle Speed	562	691119	Screw (Governor Control Lever)
104	694918	Pin-Float Hinge	584	794682	Cover-Breather Passage
105	696136	Valve-Float Needle	585	697109	Gasket-Breather Passage
108	695419	Valve-Choke	601	791850	Hose-Clamp (Green)
117	843099	Jet-Main (Standard)	614	691620	Pin-Cotter
118	790890	Jet-Main (High Altitude)	616	692012	Crank-Governor
121	796184	Kit-Carburetor Overhaul	617	692138	Seal-O Ring (Intake Manifold) (Red)
125	796109	Carburetor	633	699813	Seal-Choke/Throttle Shaft
127	690727	Plug-Welch			(Choke Shaft)
130	699500	Valve-Throttle	634	698779	Spring/Seal Assembly
131	699501	Kit-Throttle Shaft			(Choke Shaft)
133	694914	Float-Carburetor	635	691909	Boot-Spark Plug
135	698780	Tube-Fuel Transfer	654	690958	Nut (Carburetor)
137	698781	Gasket-Float Bowl	684	697157	Screw (Breather Assembly)
141	792777	Kit-Choke Shaft	691	692407	Seal-Governor Shaft
146	691639	Key-Timing	697	791680	Screw (Drive Cap)
186	794873	Connector-Hose (Intake Manifold)	718	690959	Pin-Locating
187	791805	Line-Fuel (Formed)	724	697478	Link-Starter Switch
		(Cut to Required Length)	729	691224	Clip-Wire
188	691693	Screw (Control Bracket)	741	697128	Gear-Timing
192	691986	Adjuster-Rocker Arm	757	793242	Link-Counterweight
202	691841	Link-Mechanical Governor	758	793763	Counterweight
209	692208	Spring-Governor (Green)	759	697392	Pin-Counterweight

TRACTOR - - MODEL NUMBER LTH18538 (250170)

B&S ENGINE MODEL 31N707-3374-G5

KEY NO.	PART NO.	DESCRIPTION
783	693713	Gear-Pinion
789	698329	Harness-Wiring
797	693167	Nut (Brush Retainer)
801	691283	Cap-Drive
802	691286	Cap-End
830	691095	Stud-Rocker Arm
842	691031	Seal-O Ring (Dipstick)
847	790442	Dipstick/Tube Assembly
850	100106	Sealant-Liquid
851	692424	Terminal-Spark Plug
868	690968	Seal-Valve
877	790544	Wire/Connector-Alternator
883	692236	Gasket-Exhaust
914	697551	Screw (Rocker Cover)
947	699915	Solenoid-Fuel
964	799159	Cap-Connector
968	698403	Cover-Air Cleaner
975	699502	Bowl-Fuel
987	698777	Seal-Throttle Shaft
1005	796083	Fan-Flywheel
1022	272475s	Gasket-Rocker Cover
1023	797421	Cover-Rocker
1026	692003	Rod-Push (Intake)
	692011	Rod-Push (Exhaust)
1029	691751	Arm-Rocker
1034	690822	Guide-Push Rod
1036		Label-Emissions (Available from a B & S Authorized Dealer)
1040	698368	Plate-Trim
1044	698139	Screw (Flywheel)
1051	691265	Ring-Retaining
1054	280275	Tie-Cable
1058	276344TRI	Operator's Manual
1059	698516	Kit-Screw/Washer
1090	691293	Retainer-Brush
1091	691333	Cap-Limiter
1095	794152	Gasket Set-Valve
1119	691183	Screw (Alternator)
1127	695407	Screw (Float Bowl)
1263	697124	Reed-Breather
1264	697104	Screw (Breather Reed)
1266	691917	Seal-O Ring (Intake Elbow) (Red)
1270	793243	Plug-AVS Counterweight
1329	31N707-3026-G5	Replacement Engine
1330	272147	Repair Manual

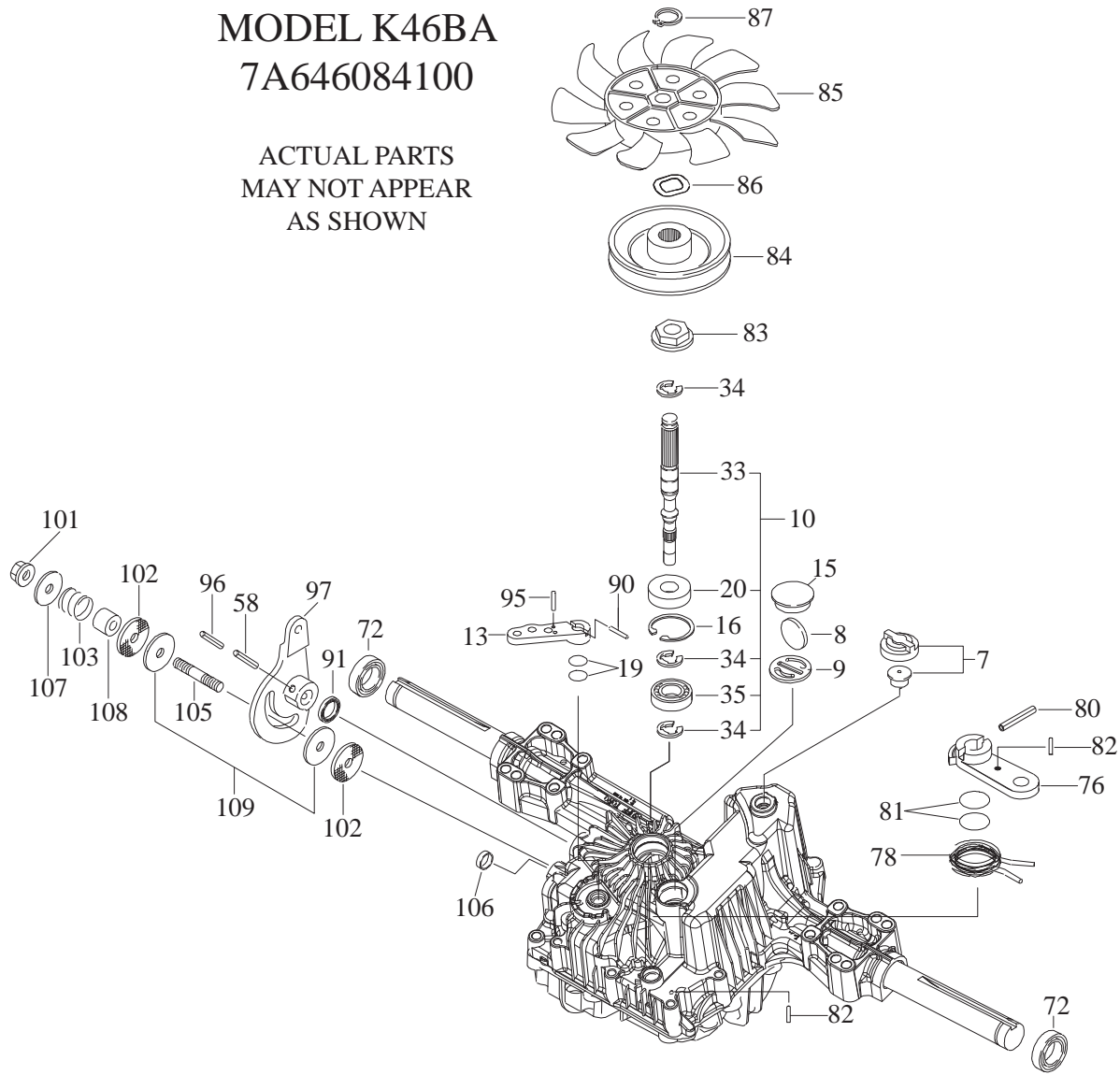
Carburetor Overhaul Kit Key No. 121
Engine Gasket Set Key No. 358
Valve Gasket Set Key No. 1095

NOTE: All component dimensions given in U.S. inches
1 inch = 25.4 mm

TRACTOR - - MODEL NUMBER LTH18538 (250170)
TUFFTORQ TRANSAXLE MODEL K46BA

MODEL K46BA
7A646084100

ACTUAL PARTS
MAY NOT APPEAR
AS SHOWN



KEY NO.	PART NO.	DESCRIPTION
7	414395	Vent Valve 15
8	414396	Magnet
9	414397	Magnet Holder
10	415923	Pump Shaft/Bearing Kit
13	414398	Bypass Lever
15	414399	Sealing Cap 30
16	414400	Snap Ring C 35
19	414401	O-Ring 1A P10a
20	414402	Seal Tc 153507
33	414403	Pump Shaft (Standard)
34	414404	E-Ring 15
35	414405	Bearing 6202C3
58	414406	Roll Pin 6 * 40
72	414407	Seal 19 * 32 * 8
76	414408	Brake Lever
78	414409	Brake Return Spring
80	414410	Spring Pin 5 * 32
81	414411	O-Ring 1A P12
82	414412	Spring Pin 4 * 16
83	414413	Spine Collar

KEY NO.	PART NO.	DESCRIPTION
84	414414	Pulley L
85	414415	Fan, Black
86	414416	Wave Washer
87	414417	Snap Ring
90	414418	Spring Pin 3.0A * 20
91	414419	Oil Seal 16 * 22 * 03
95	415850	Spring Pin 3.0A * 16
96	414420	Roll Pin 3.5 * 40
97	414421	Control Lever
101	414216	Lock Nut 10
102	414423	Washer 10 * 40 * 4
103	414424	Spring
105	414425	Stud 10 * 60
106	414426	Sealing Cap 18
107	414427	Washer 10 * 36 * 2.8
108	414428	Collar 10 * 20 * 17
109	414429	Friction Plate Kit

NOTE: All component dimensions given in U.S. inches
1 inch = 25.4 mm