

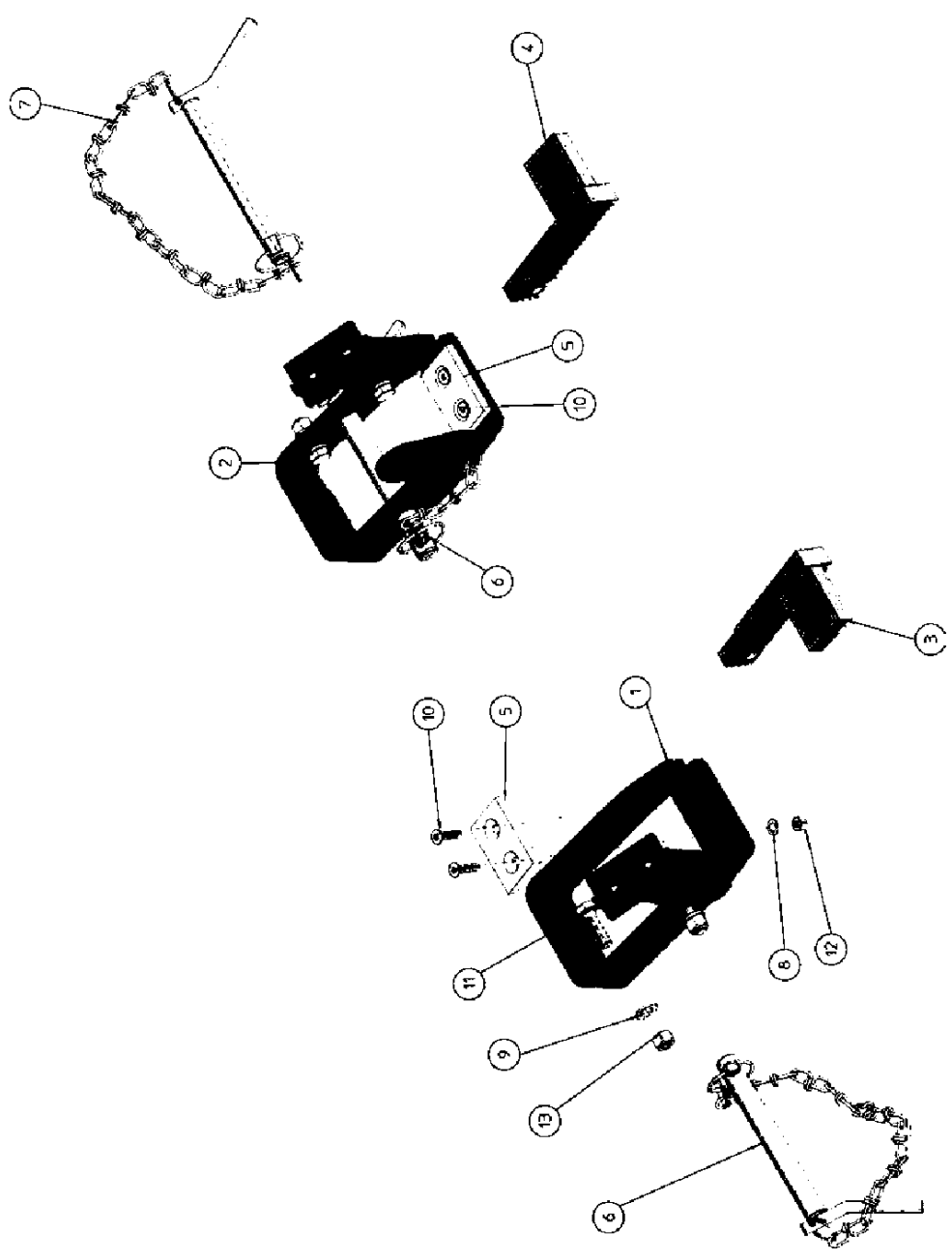


SPARE PARTS LIST

ACCESSORIES AND TOOLS

FLAIL MOWER, MU-C, 967024301, 2012

G MU-C Hus Attachments

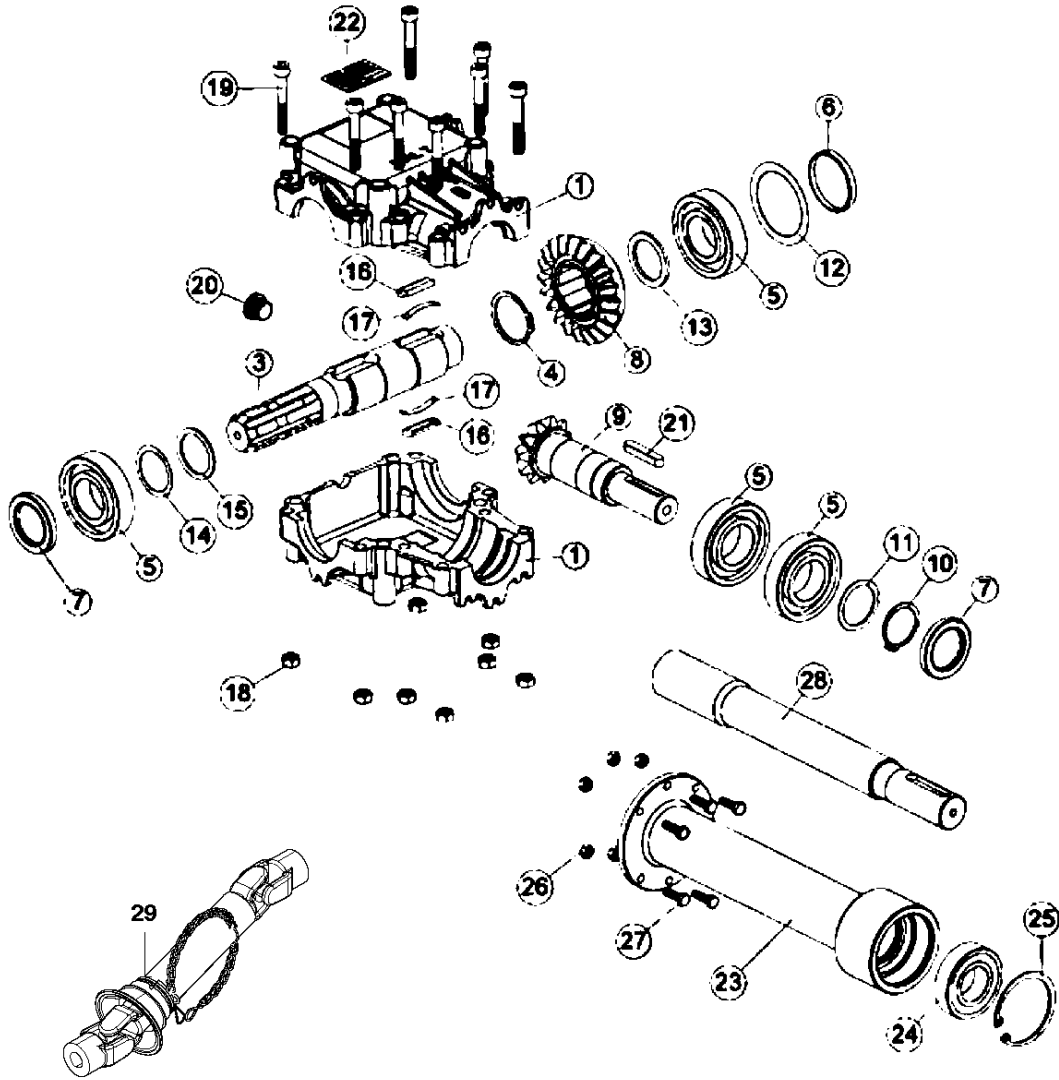


ATTACHMENTS

FLAIL MOWER, MU-C, 967024301, 2012

| Ref | Part No | Description | Remark | QTY KIT |
|-----|--------------|------------------|--------|---------|
| 1 | 581 32 47-01 | MOUNTING BRACKET | | 1 |
| 2 | 581 32 48-01 | MOUNTING BRACKET | | 1 |
| 3 | 579 53 85-01 | STOPPER | | 1 |
| 4 | 579 53 86-01 | STOPPER | | 1 |
| 5 | 581 32 49-01 | PLATE | | 4 |
| 6 | 581 32 50-01 | PIN | | 2 |
| 7 | 581 32 51-01 | CHAIN | | 1 |
| 8 | 581 32 52-01 | WASHER | | 4 |
| 9 | 581 32 53-01 | WASHER | | 8 |
| 10 | 581 32 54-01 | SCREW | | 8 |
| 11 | 581 32 55-01 | BOLT | | 4 |
| 12 | 581 32 56-01 | LOCK NUT | | 8 |
| 13 | 581 32 57-01 | LOCK NUT | | 4 |

F MU-C Hus
Gear Box

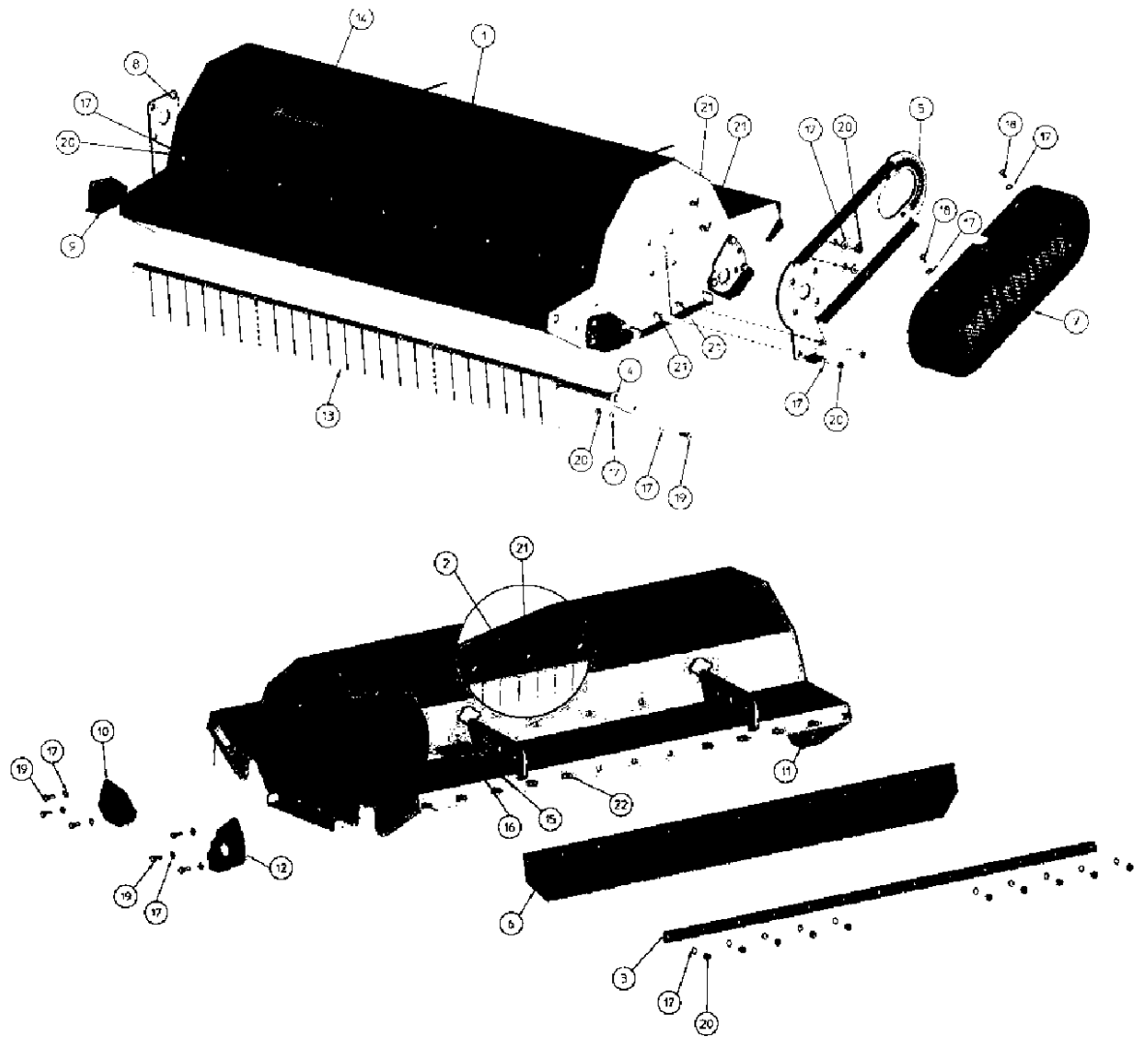


GEAR BOX

FLAIL MOWER, MU-C, 967024301, 2012

| Ref | Part No | Description | Remark | QTY KIT |
|-----|--------------|-----------------|--------|---------|
| 1 | 581 32 21-01 | GEAR BOX ASSY | | 1 |
| 3 | 581 32 22-01 | SHAFT | | 1 |
| 4 | 581 32 23-01 | LOCKING RING | | 1 |
| 5 | 581 32 24-01 | BALL BEARING | | 4 |
| 6 | 581 32 25-01 | SEALING RING | | 1 |
| 7 | 581 32 26-01 | SEALING RING | | 2 |
| 8 | 581 32 27-01 | BEVEL GEAR | | 1 |
| 9 | 581 32 28-01 | DRIVE SHAFT | | 1 |
| 10 | 581 32 29-01 | LOCKING RING | | 1 |
| 11 | 581 32 30-01 | SPACER RING | | 1 |
| 12 | 581 32 31-01 | SPACER RING | | 1 |
| 13 | 581 32 32-01 | SPACER RING | | 1 |
| 14 | 581 32 33-01 | SPACER RING | | 1 |
| 15 | 581 32 34-01 | SPACER RING | | 1 |
| 16 | 581 32 35-01 | KEY | | 2 |
| 17 | 581 32 36-01 | SPRING | | 2 |
| 18 | 581 32 37-01 | NUT | | 8 |
| 19 | 581 32 38-01 | BOLT | | 8 |
| 20 | 581 32 39-01 | OIL PLUG | | 1 |
| 21 | 581 32 40-01 | WOODRUFF KEY | | 1 |
| 22 | N/A | TBD | | 1 |
| 23 | 581 32 41-01 | SLEEVE | | 1 |
| 24 | 581 32 42-01 | BALL BEARING | | 1 |
| 25 | 581 32 43-01 | LOCKING RING | | 1 |
| 26 | 581 32 44-01 | NUT | | 6 |
| 27 | 581 32 45-01 | BOLT | | 6 |
| 28 | 581 32 46-01 | SHAFT EXTENSION | | 1 |
| 29 | 587 63 59-01 | SHAFT | | 1 |

A MU-C Hus
Housing

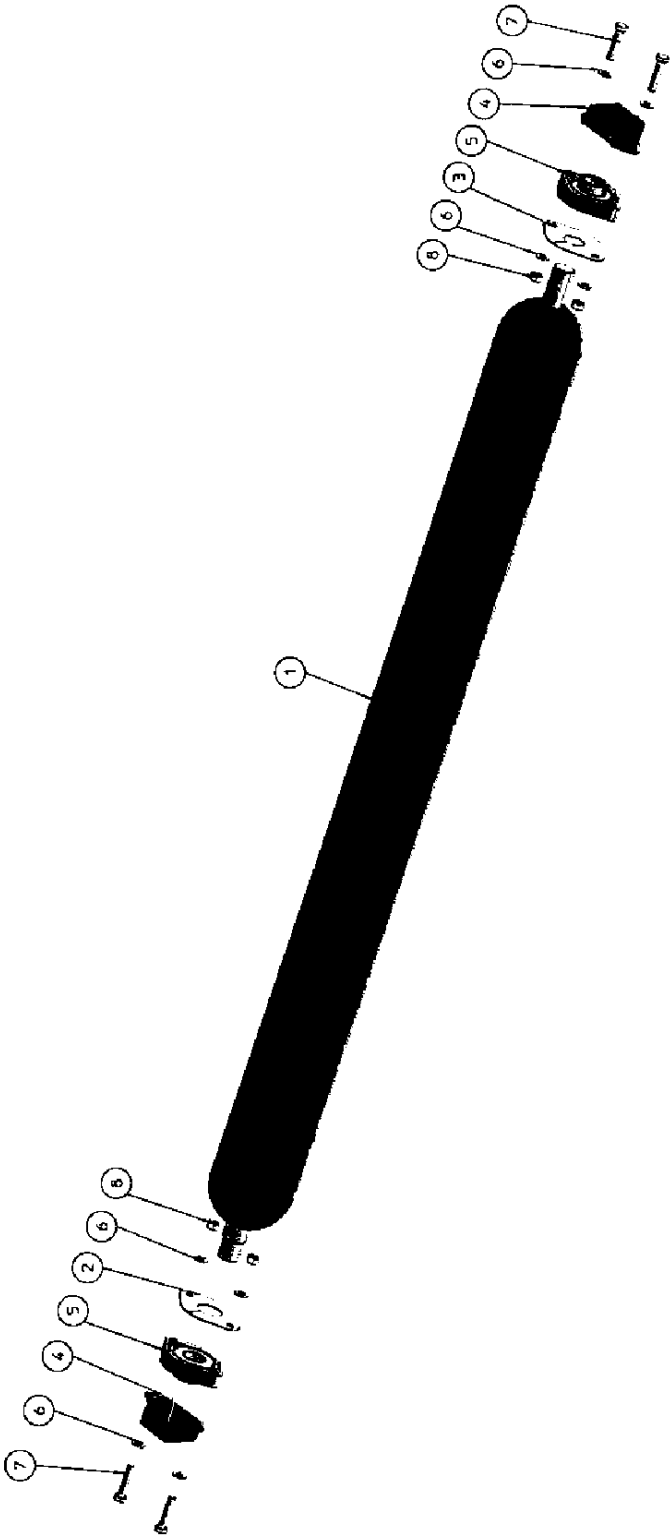


HOUSING

FLAIL MOWER, MU-C, 967024301, 2012

| Ref | Part No | Description | Remark | QTY KIT |
|-----|--------------|-------------|--------|---------|
| 1 | 581 31 11-01 | HOUSING | | 1 |
| 2 | 581 31 12-01 | BAR | | 1 |
| 3 | 581 31 13-01 | BRACKET | | 1 |
| 4 | 581 31 14-01 | SHAFT | | 1 |
| 5 | 581 31 15-01 | GUARD | | 1 |
| 6 | 581 31 16-01 | GUARD | | 1 |
| 7 | 581 31 17-01 | COVER | | 1 |
| 8 | 581 31 18-01 | SHOE | | 1 |
| 9 | 581 31 19-01 | SHOE | | 1 |
| 10 | 581 31 20-01 | SHOE | | 1 |
| 11 | 581 31 21-01 | SHOE | | 1 |
| 12 | 581 31 22-01 | SHOE | | 1 |
| 13 | 581 31 23-01 | BRACKET | | 24 |
| 14 | 581 31 24-01 | DECAL | | 1 |
| 15 | 581 32 58-01 | PLATE | | 1 |
| 16 | 581 31 25-01 | RIVET | | 4 |
| 17 | 581 31 26-01 | WASHER | | 53 |
| 18 | 581 31 27-01 | SCREW | | 4 |
| 19 | 581 31 28-01 | SCREW | | 13 |
| 20 | 581 31 29-01 | LOCK NUT | | 36 |
| 21 | 581 31 30-01 | BOLT | | 13 |
| 22 | 581 31 31-01 | BOLT | | 10 |

D MU-C Hus
Roller

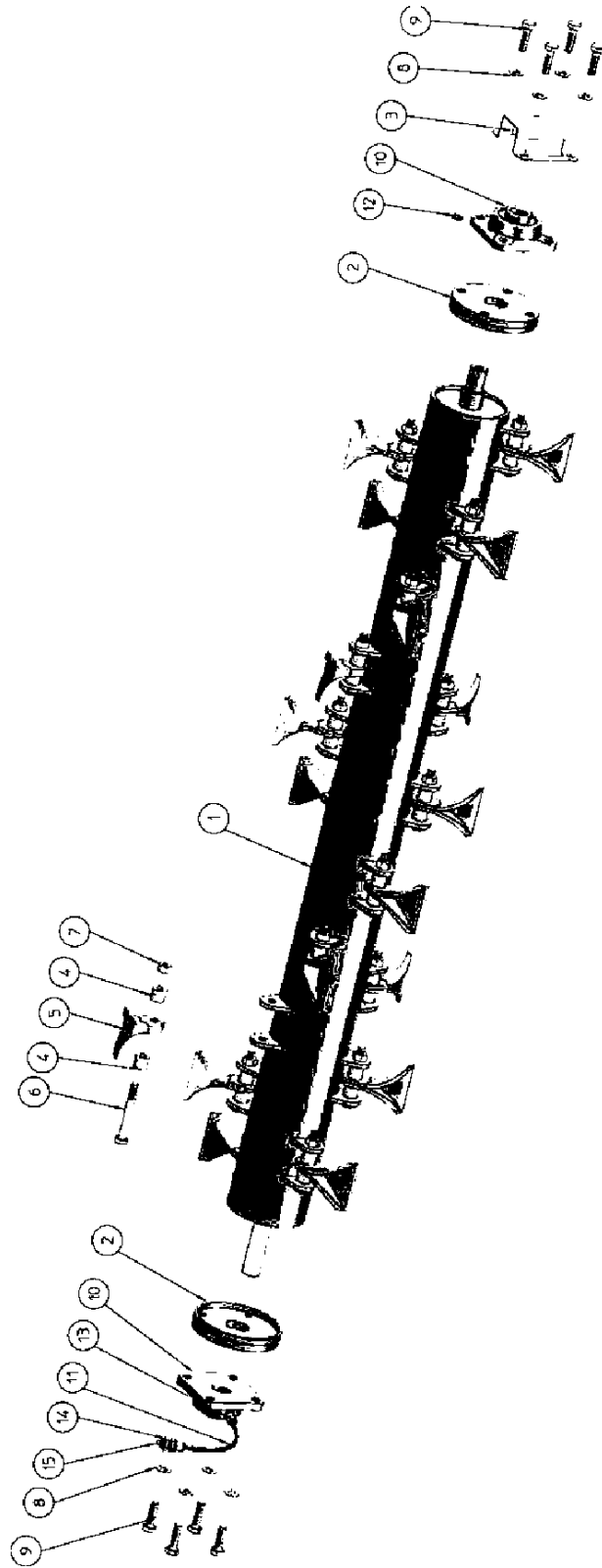


REAR WHEEL

FLAIL MOWER, MU-C, 967024301, 2012

| Ref | Part No | Description | Remark | QTY KIT |
|-----|--------------|-------------|--------|---------|
| 1 | 581 31 97-01 | DRUM | | 1 |
| 2 | 581 31 98-01 | GASKET | | 1 |
| 3 | 581 31 99-01 | GASKET | | 1 |
| 4 | 581 32 00-01 | COVER | | 2 |
| 5 | 581 32 01-01 | BEARING | | 2 |
| 6 | 581 32 02-01 | WASHER | | 8 |
| 7 | 581 32 03-01 | BOLT | | 4 |
| 8 | 581 32 04-01 | LOCK NUT | | 4 |

C MU-C Hus
Axle

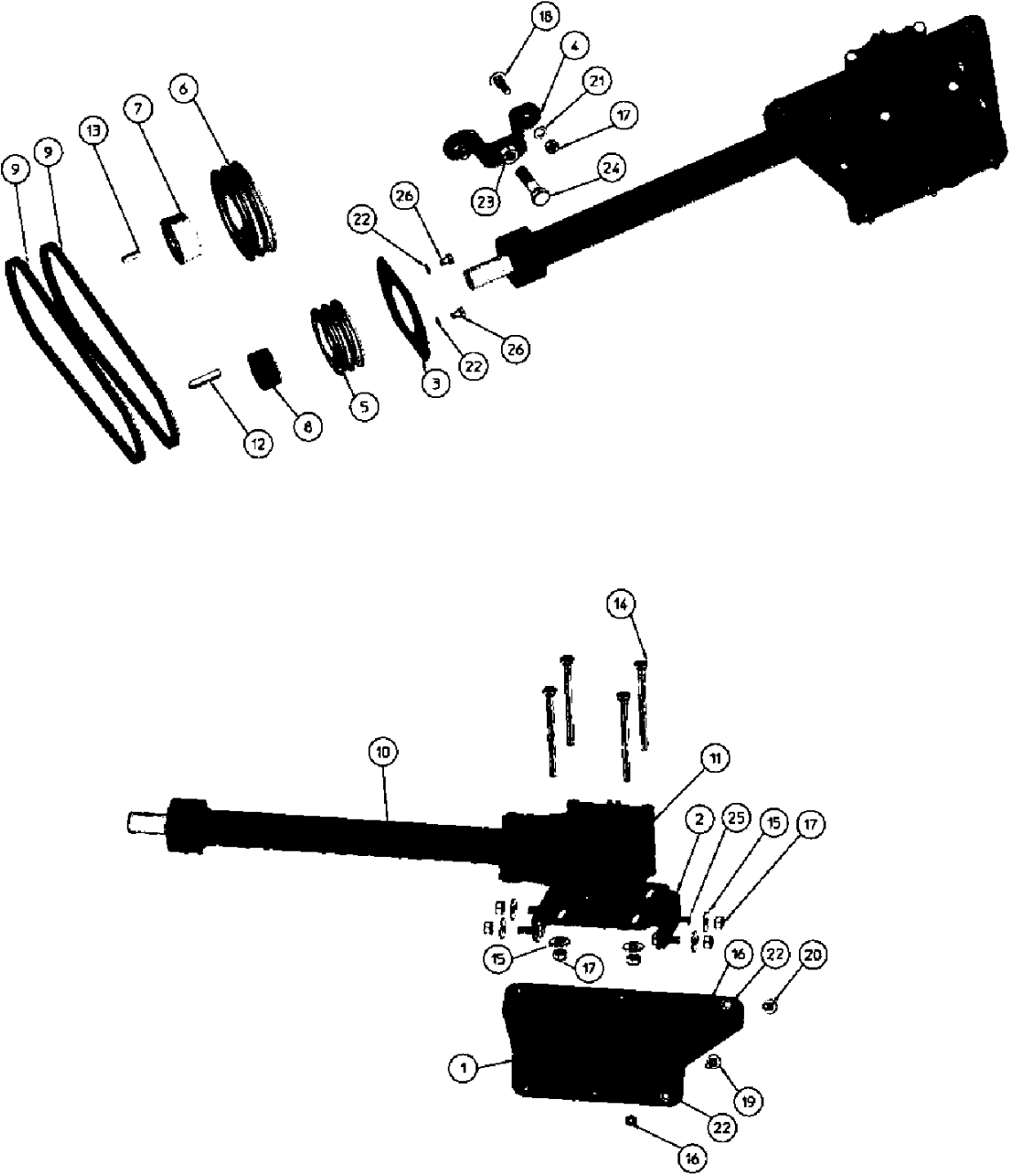


SHAFT

FLAIL MOWER, MU-C, 967024301, 2012

| Ref | Part No | Description | Remark | QTY KIT |
|-----|--------------|--------------------|--------|---------|
| 1 | 581 31 80-01 | ROTOR | | 1 |
| 2 | 581 31 81-01 | DISC | | 2 |
| 3 | 581 31 82-01 | GUARD | | 1 |
| 4 | 581 31 83-01 | SPACER | | 40 |
| 5 | 581 31 84-01 | BLADE | | 20 |
| 6 | 581 31 86-01 | BOLT | | 20 |
| 7 | 581 31 87-01 | LOCK NUT | | 20 |
| 8 | 581 31 88-01 | WASHER | | 8 |
| 9 | 581 31 90-01 | BOLT | | 8 |
| 10 | 581 31 91-01 | BEARING PLATE | | 2 |
| 11 | 581 31 92-01 | HOSE | | 1 |
| 12 | 581 31 93-01 | LUBRICATION NIPPLE | | 1 |
| 13 | 581 31 94-01 | FITTING | | 1 |
| 14 | 581 31 95-01 | FITTING | | 1 |
| 15 | 581 31 96-01 | LUBRICATION NIPPLE | | 1 |

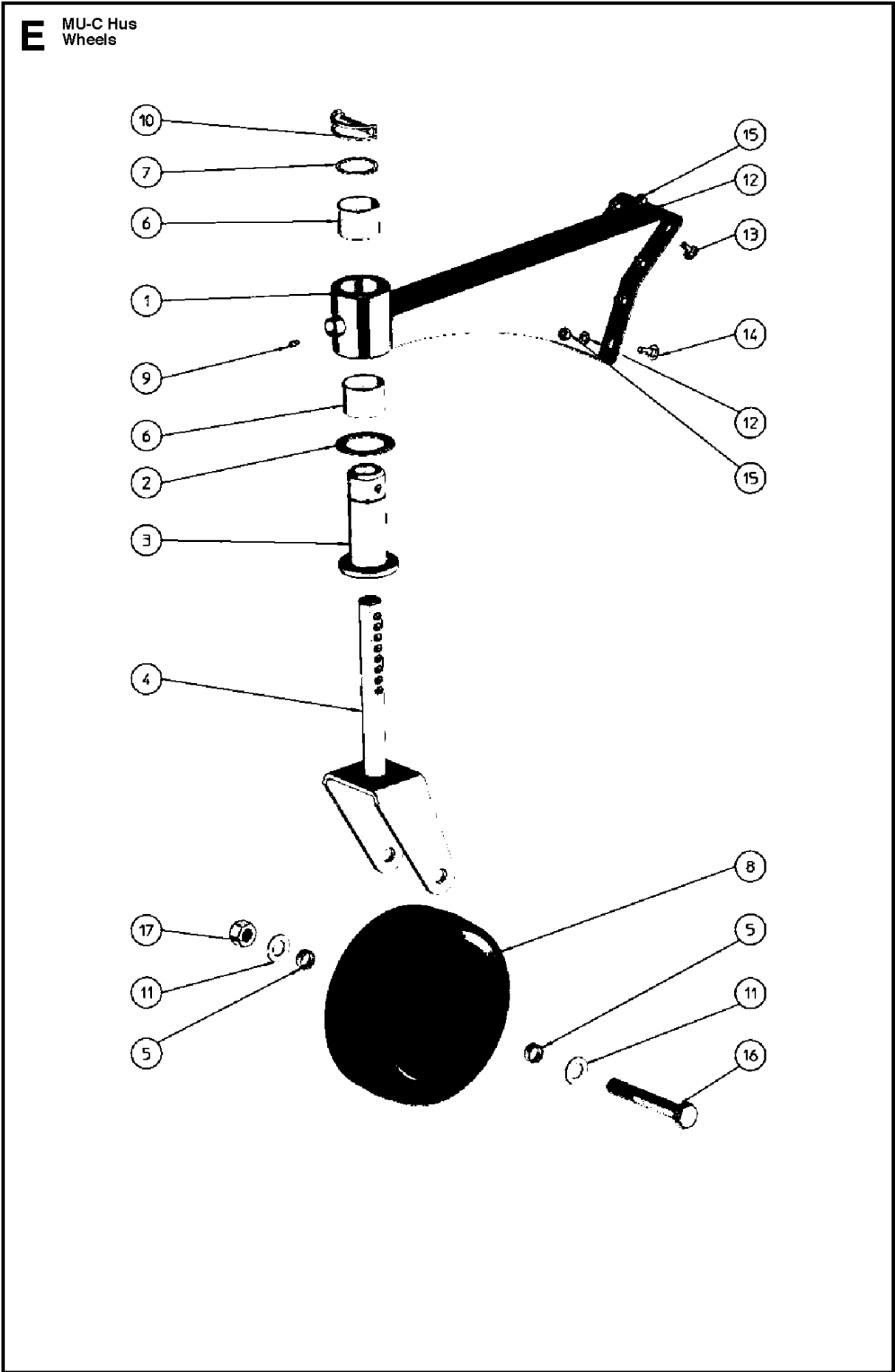
B MU-C Hus
Transmission



TRANSMISSION

FLAIL MOWER, MU-C, 967024301, 2012

| Ref | Part No | Description | Remark | QTY KIT |
|-----|--------------|-----------------|--------|---------|
| 1 | 581 31 32-01 | PLATE | | 1 |
| 2 | 581 31 33-01 | BRACKET | | 1 |
| 3 | 581 31 34-01 | GASKET | | 1 |
| 4 | 581 31 35-01 | BRACKET | | 1 |
| 5 | 581 31 36-01 | PULLEY | | 1 |
| 6 | 581 31 37-01 | PULLEY | | 1 |
| 7 | 581 31 60-01 | INSERT | | 1 |
| 8 | 581 31 61-01 | INSERT | | 1 |
| 9 | 581 31 62-01 | V-BELT | | 2 |
| 10 | 581 31 63-01 | SHAFT EXTENSION | | 1 |
| 11 | 581 31 64-01 | GEAR BOX | | 1 |
| 12 | 581 31 65-01 | KEY | | 1 |
| 13 | 581 31 66-01 | KEY | | 1 |
| 14 | 581 31 67-01 | BOLT | | 4 |
| 15 | 581 31 68-01 | WASHER | | 12 |
| 16 | 581 31 69-01 | LOCK NUT | | 6 |
| 17 | 581 31 70-01 | LOCK NUT | | 10 |
| 18 | 581 31 71-01 | BOLT | | 2 |
| 19 | 581 31 72-01 | BOLT | | 3 |
| 20 | 581 31 73-01 | BOLT | | 3 |
| 21 | 581 31 74-01 | WASHER | | 2 |
| 22 | 581 31 75-01 | WASHER | | 8 |
| 23 | 581 31 76-01 | NUT | | 1 |
| 24 | 581 31 77-01 | BOLT | | 1 |
| 25 | 581 31 78-01 | BOLT | | 4 |
| 26 | 581 31 79-01 | BOLT | | 2 |



WHEELS & TIRES

FLAIL MOWER, MU-C, 967024301, 2012

| Ref | Part No | Description | Remark | QTY KIT |
|-----|--------------|--------------------|--------|---------|
| 1 | 581 32 05-01 | SUPPORT | | 1 |
| 2 | 581 32 06-01 | WASHER | | 1 |
| 3 | 581 32 07-01 | JOINT | | 1 |
| 4 | 581 32 08-01 | SUPPORT | | 1 |
| 5 | 581 32 09-01 | SPACER | | 2 |
| 6 | 581 32 10-01 | GUIDE BUSHING | | 2 |
| 7 | 581 32 11-01 | RING | | 1 |
| 8 | 581 32 12-01 | WHEEL | | 1 |
| 9 | 581 31 93-01 | LUBRICATION NIPPLE | | 1 |
| 10 | 581 32 13-01 | LOCKING PIN | | 1 |
| 11 | 581 32 14-01 | WASHER | | 2 |
| 12 | 581 32 15-01 | WASHER | | 8 |
| 13 | 581 32 16-01 | BOLT | | 6 |
| 14 | 581 32 17-01 | BOLT | | 2 |
| 15 | 581 32 18-01 | LOCK NUT | | 8 |
| 16 | 581 32 19-01 | BOLT | | 1 |
| 17 | 581 32 20-01 | LOCK NUT | | 1 |