

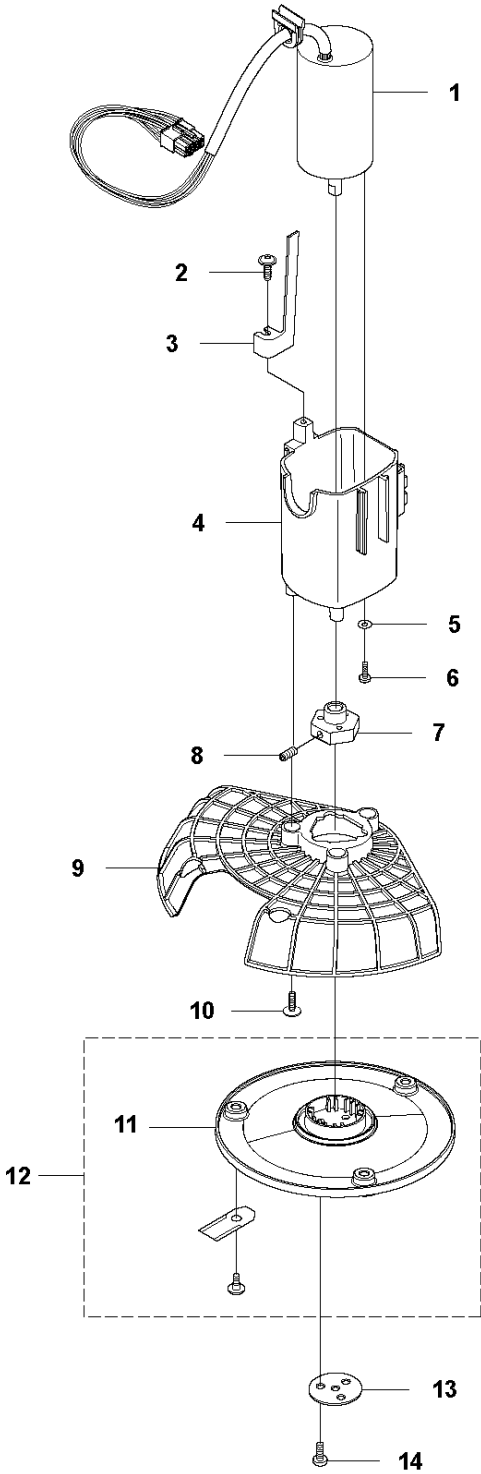


SPARE PARTS LIST

ROBOTIC LAWN MOWERS

AUTOMOWER 305, 2012-01

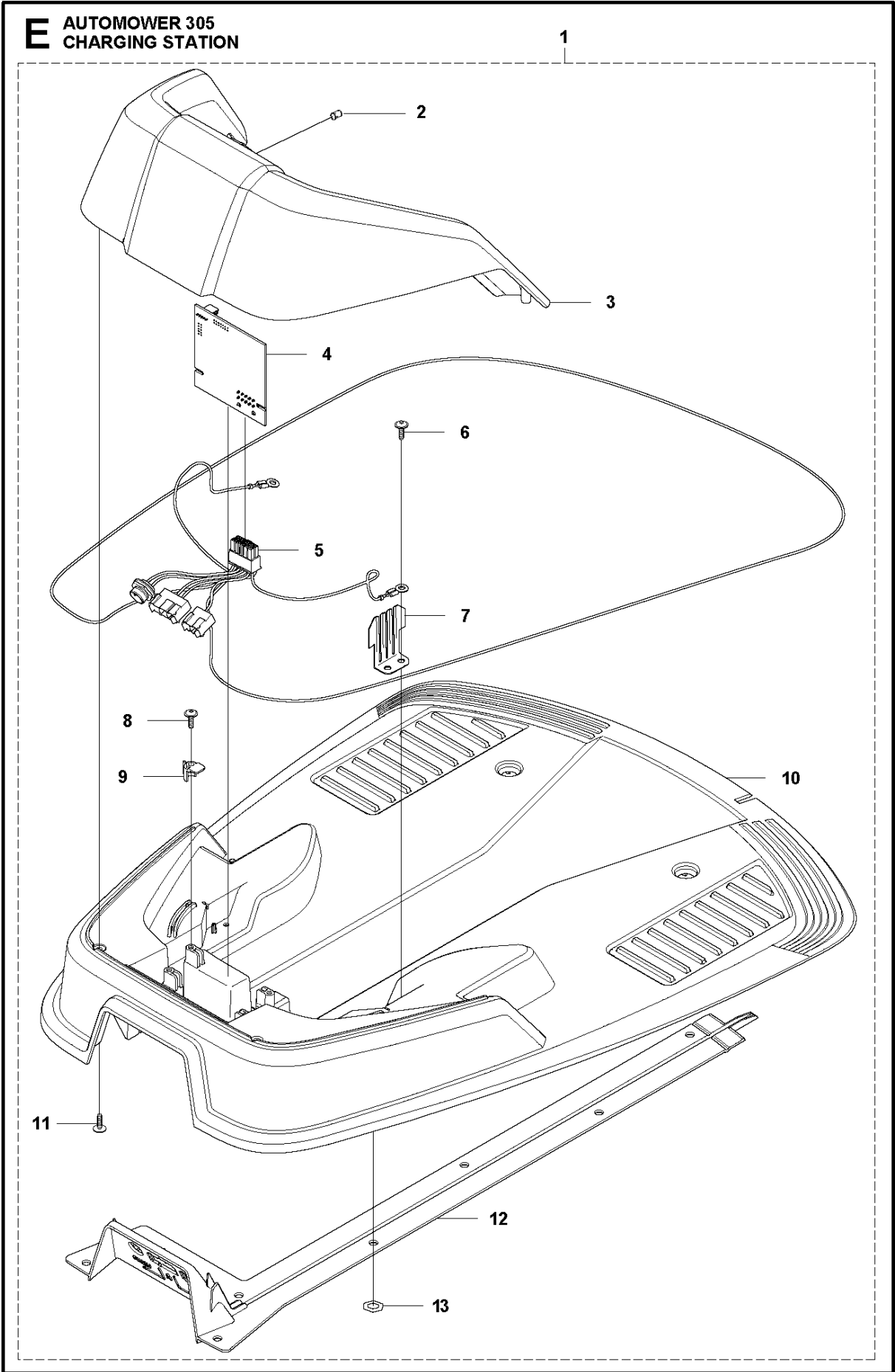
D AUTOMOWER 305
BLADE MOTOR & CUTTING EQUIPMENT



BLADE MOTOR & CUTTING EQUIPMENT

AUTOMOWER 305, 2012-01

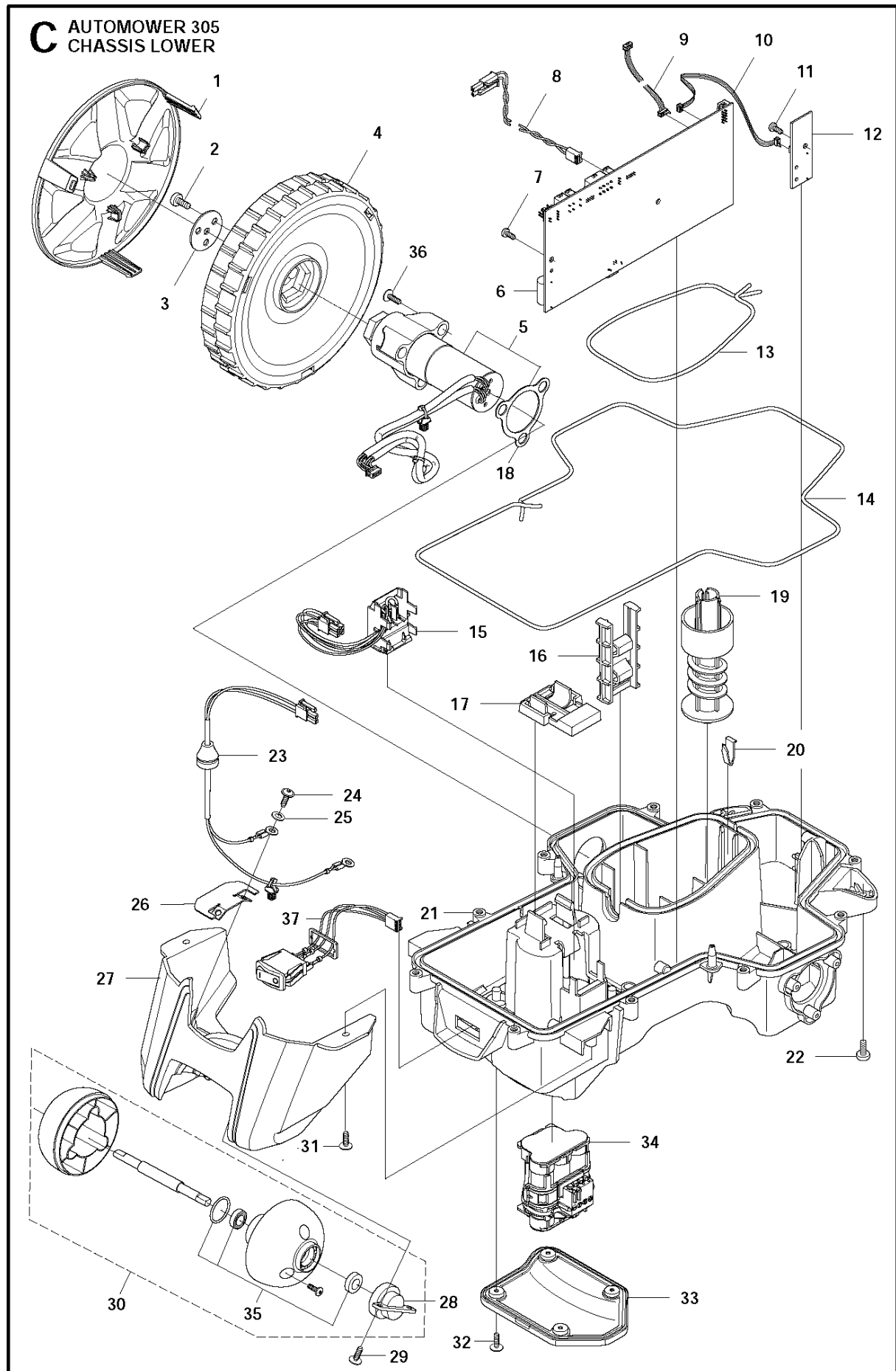
Ref	Part No	Description	Remark	QTY	KIT
1	574 46 89-01	MOTOR		1	
2	575 54 33-14	SCREW		1	
3	574 50 35-01	HEIGHT INDICATOR		1	
4	574 48 45-01	MOTOR HOUSING		1	
5	510 01 95-01	WASHER STEEL		3	
6	510 01 87-02	SCREW		3	
7	574 37 35-01	HUB		1	
8	576 21 35-01	SCREW IHSETM		1	
9	577 85 02-01	GUARD		1	
10	575 54 33-14	SCREW		3	
11	574 48 71-01	CUTTING DISC		1	12
12	577 84 99-01	CUTTING DISC		1	
13	577 09 32-01	WASHER		1	
14	576 21 38-01	SCREW ITXPANM		3	



CHARGING STATION

AUTOMOWER 305, 2012-01

Ref	Part No	Description	Remark	QTY KIT	
1	576 63 67-03	CHARGING STATION	WHITE	1	
1	576 63 67-04	CHARGING STATION	GREY	1	
2	535 12 87-02	DIODE LENS		1	1
3	575 70 84-01	CHARGING STATION	WHITE	1	1
3	575 70 84-02	CHARGING STATION	GREY	1	1
4	576 24 26-01	PRINTED CIRCUIT ASSY		1	1
5	574 47 65-01	LOOM		1	1
6	575 54 33-14	SCREW		2	1
7	575 85 00-01	CHARGER CONTACT		2	1
8	575 54 33-14	SCREW		2	1
9	535 12 79-01	BRACKET		2	1
10	575 70 83-02	CHARGING STATION		1	1
11	575 54 33-14	SCREW		4	1
12	575 70 85-01	CHARGING STATION		1	1
13	577 51 22-01	NUT		19	1

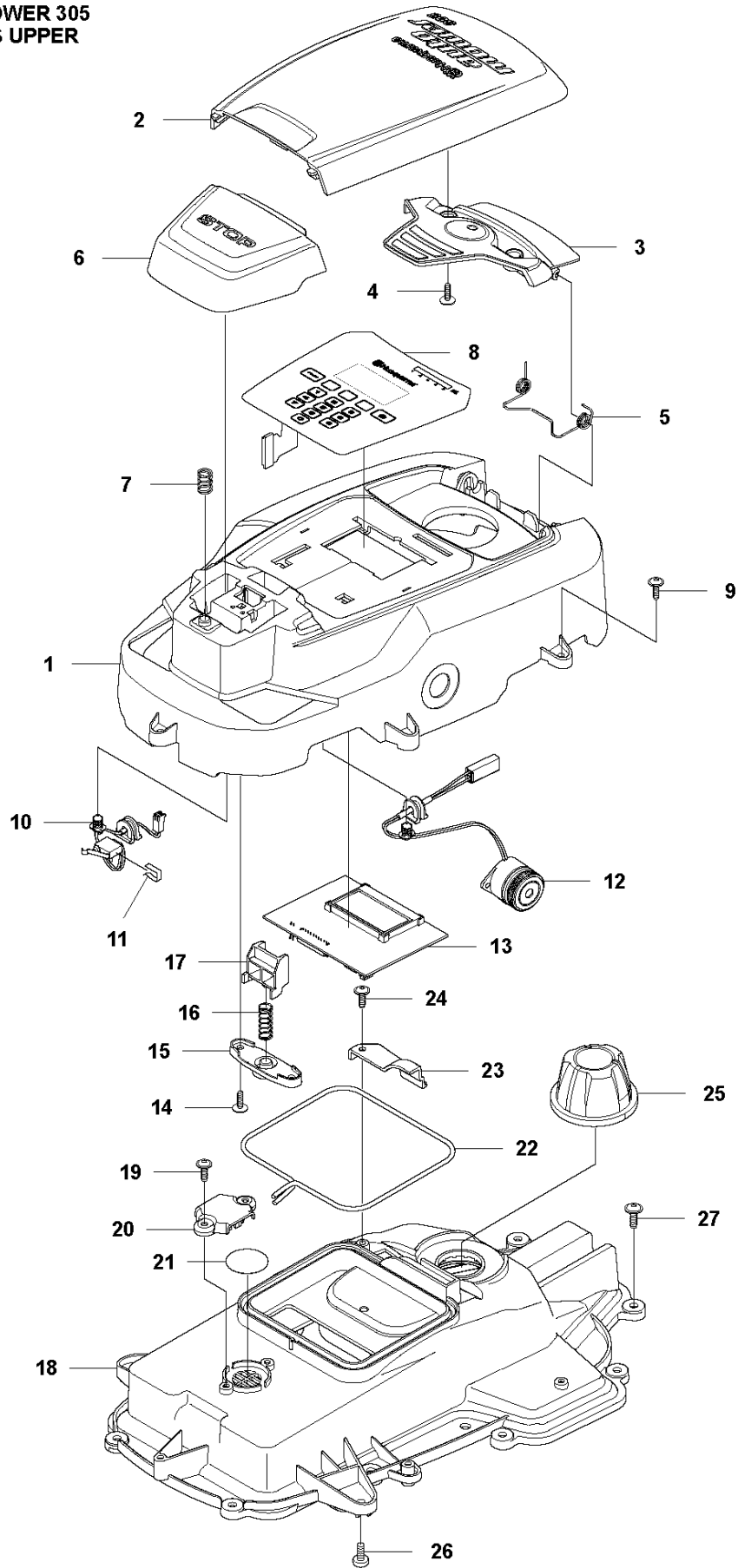


CHASSIS LOWER

AUTOMOWER 305, 2012-01

Ref	Part No	Description	Remark	QTY	KIT
1	575 43 08-01	HUB CAP		2	
2	576 21 39-02	SCREW ITXPANM		6	
3	577 09 32-01	WASHER		2	
4	574 46 51-01	WHEEL		2	
5	577 83 99-01	WHEEL MOTOR ASSY		2	
6	575 64 05-01	PRINTED CIRCUIT ASSY		1	
7	535 13 03-10	SCREW ITXPANT		2	
8	576 22 02-01	LOOM		1	
9	574 47 92-01	LOOM		1	
10	574 47 90-01	LOOM		1	
11	535 13 03-10	SCREW ITXPANT		1	
12	575 64 09-01	PRINTED CIRCUIT ASSY		1	
13	577 75 36-02	KIT		1	
14	577 84 36-02	SEALING STRIP		1	
15	574 47 98-01	LOOM		1	
16	574 50 19-01	GUIDE RAIL		2	
17	575 40 82-01	LOCK		1	
18	574 37 37-01	GASKET		2	5
19	574 48 46-01	SCREW		1	
20	577 10 32-01	LOCKING SPRING		1	
21	577 84 62-01	CHASSIS		1	
22	576 21 39-01	SCREW ITXPANM		2	
23	574 47 77-02	LOOM		1	
24	575 54 33-14	SCREW		2	
25	535 08 74-01	WASHER		2	
26	574 49 00-01	CHARGING PLATE		2	
27	574 46 72-01	HOUSING		1	
28	577 71 50-01	BEARING HOUSING		2	30
29	575 54 33-14	SCREW		4	
30	578 27 51-01	REAR WHEEL		1	
31	575 54 33-14	SCREW		3	
32	574 45 01-01	SCREW ITXPANT		4	
33	574 46 73-01	COVER		1	
34	574 47 68-01	BATTERY		1	
35	578 27 52-01	REAR WHEEL		1	30
36	575 54 33-14	SCREW		6	
37	574 47 94-01	SWITCH		1	

B AUTOMOWER 305
CHASSIS UPPER

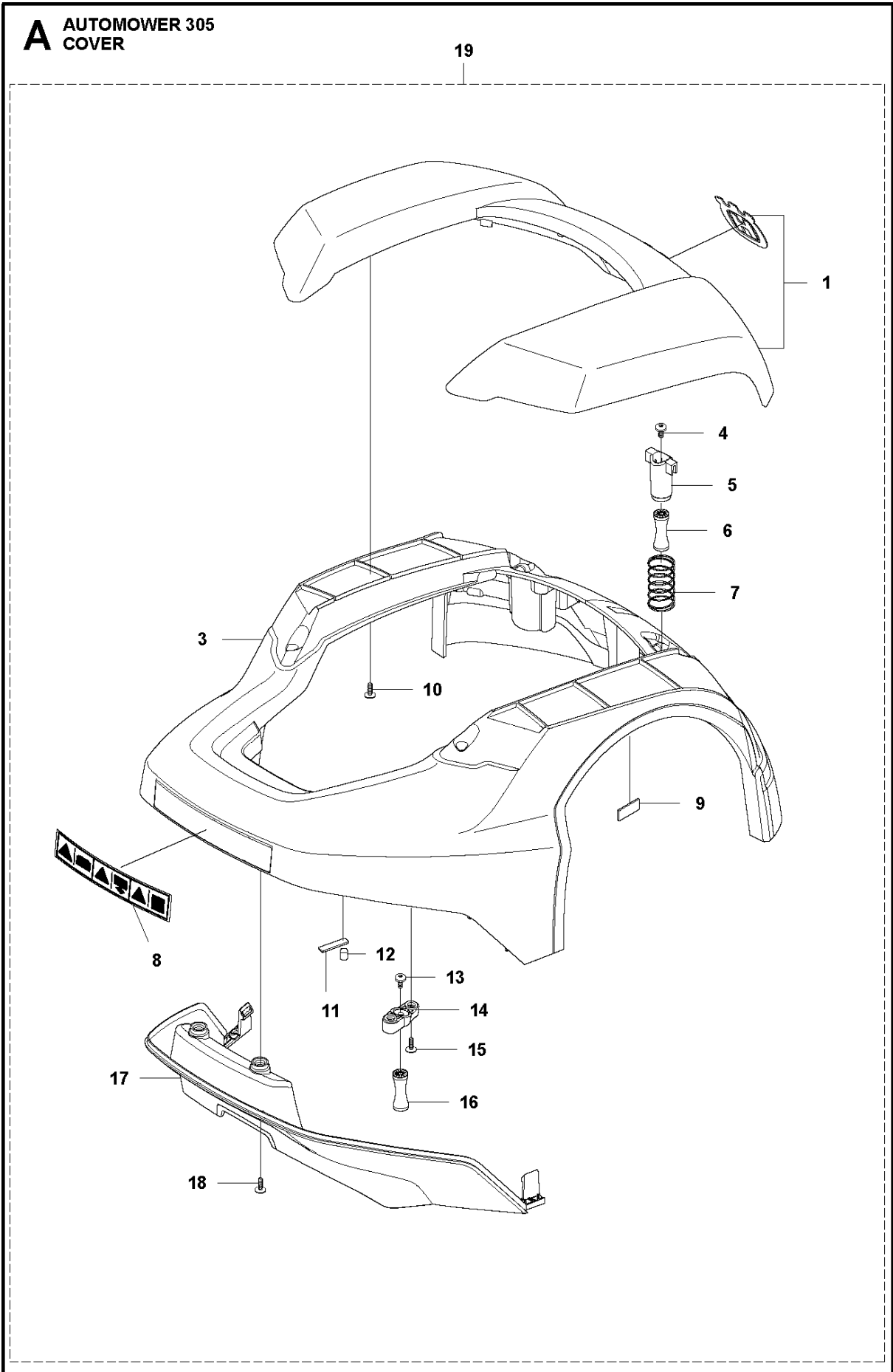


CHASSIS UPPER

AUTOMOWER 305, 2012-01

Ref	Part No	Description	Remark	QTY	KIT
1	577 75 28-02	KIT		1	
2	574 37 81-01	COVER	WHITE	1	
2	574 37 81-02	COVER	GREY	1	
3	574 37 79-01	HINGE		1	
4	575 54 33-14	SCREW		2	
5	576 24 21-01	SPRING		1	
6	574 46 47-01	BUTTON		1	
7	574 48 70-01	SPRING		1	
8	575 77 94-01	KEYBOARD		1	1
9	575 54 33-14	SCREW		5	
10	574 48 03-01	SWITCH		1	
11	535 08 98-01	CLIPS		1	
12	574 47 59-01	BUZZER		1	
13	575 64 01-01	PRINTED CIRCUIT ASSY		1	
14	575 54 33-14	SCREW		2	
15	575 41 58-01	SPRING HOLDER		1	
16	576 24 22-01	SPRING		1	
17	575 40 90-01	LOCK		1	
18	577 75 29-01	KIT		1	
19	575 54 33-14	SCREW		2	
20	576 69 70-01	COVER		1	
21	577 75 37-01	KIT		1	
22	577 75 36-02	KIT		1	
23	576 05 39-01	COVER		1	
24	575 54 33-14	SCREW		1	
25	579 74 24-01	KNOB		1	
26	576 21 39-01	SCREW ITXPANM		2	
27	574 45 01-01	SCREW ITXPANT		10	

A AUTOMOWER 305
COVER

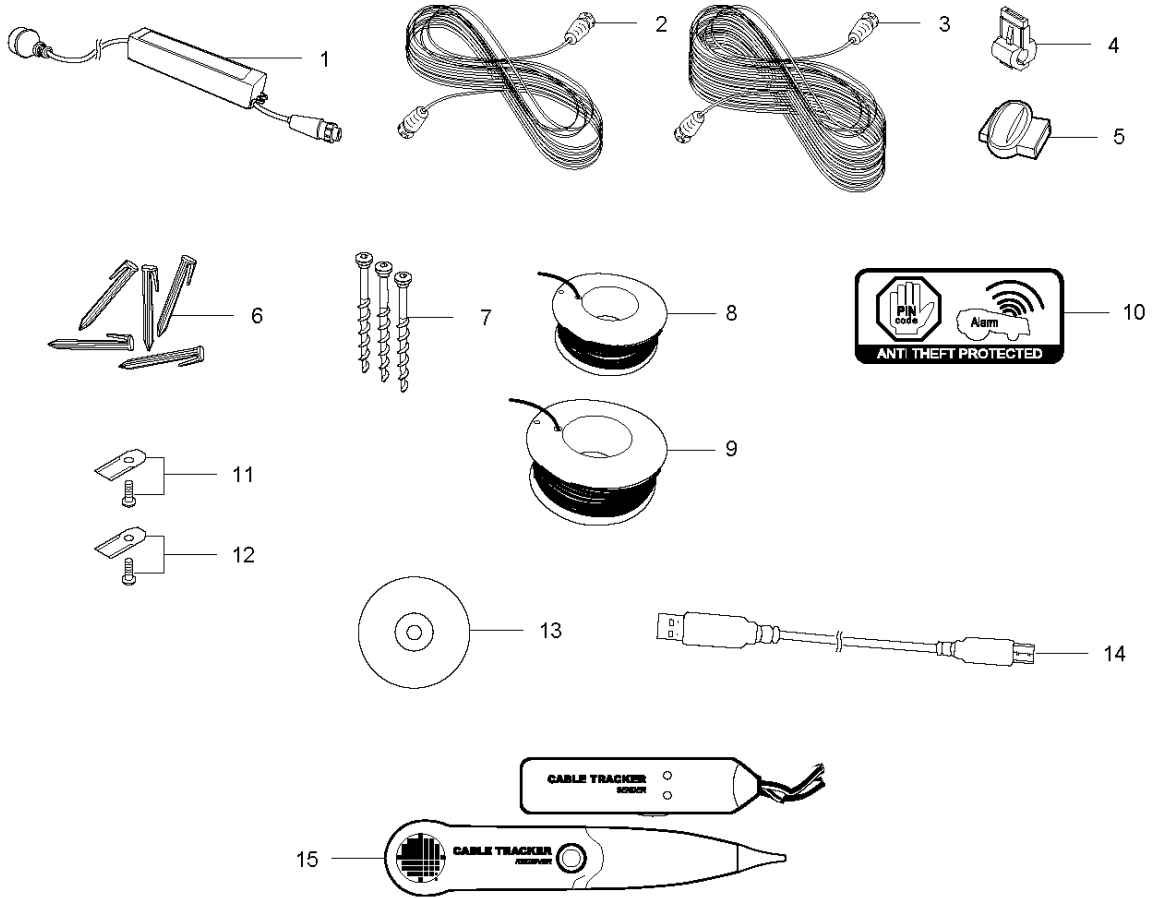


COVER

AUTOMOWER 305, 2012-01

Ref	Part No	Description	Remark	QTY	KIT
1	577 73 47-01	KIT	WHITE	1	
1	577 73 47-02	KIT	GREY	1	
3	577 74 72-02	KIT		1	
4	576 21 39-01	SCREW ITXPANM		2	
5	574 46 90-02	BRACKET		2	
6	574 46 91-02	RUBBER DAMPER		2	
7	574 48 51-02	SPRING		2	
8	576 24 00-01	LABEL WARNING		1	3
9	576 18 32-01	MAGNET		1	3
10	575 54 33-14	SCREW		7	
11	576 03 01-01	PLATE		1	3
12	576 18 33-01	MAGNET		1	3
13	576 21 39-01	SCREW ITXPANM		2	
14	575 41 60-02	SUPPORT CLAMP		2	
15	575 54 33-14	SCREW		4	
16	574 46 91-02	RUBBER DAMPER		2	
17	574 46 52-01	BUMPER		1	
18	575 54 33-14	SCREW		2	
19	577 95 53-01	BODY SYSTEM	WHITE	1	
19	577 95 53-02	BODY SYSTEM	GREY	1	

F AUTOMOWER 305
ACCESSORIES



INSTALLATION ACCESSORIES

AUTOMOWER 305, 2012-01

Ref	Part No	Description	Remark	QTY KIT
1	578 90 69-01	POWER UNIT	(EU)	1
1	578 90 69-02	POWER UNIT	(UK/IR)	1
1	578 90 69-03	POWER UNIT	(CH)	1
1	578 90 69-05	POWER UNIT	(AU/NZ)	1
2	577 23 35-01	CABLE		1
3	577 23 35-02	CABLE		1
4	535 12 90-01	COUPLER		1
5	501 98 02-01	COUPLER	(1pcs)	1
5	501 98 02-02	COUPLER	(50pcs)	1
6	504 04 97-01	STAPLE		1
7	575 23 86-02	SCREW KIT		1
8	501 98 03-02	WIRE		1
9	501 98 03-01	WIRE		1
10	535 13 16-01	LABEL		1
11	535 13 87-02	BLADE(9PCS)	(9pcs)	1
11	535 13 88-02	BLADE 30PCS	(30pcs)	1
11	505 12 78-02	BLADE	(500pcs)	1
12	577 60 64-02	BLADE	(9pcs)	1
12	577 60 65-02	BLADE	(30pcs)	1
12	577 60 66-02	BLADE	(300pcs)	1
13	577 85 81-01	DVD		1
14	577 51 81-01	CABLE		1
15	577 60 68-01	TEST EQUIPMENT		1