

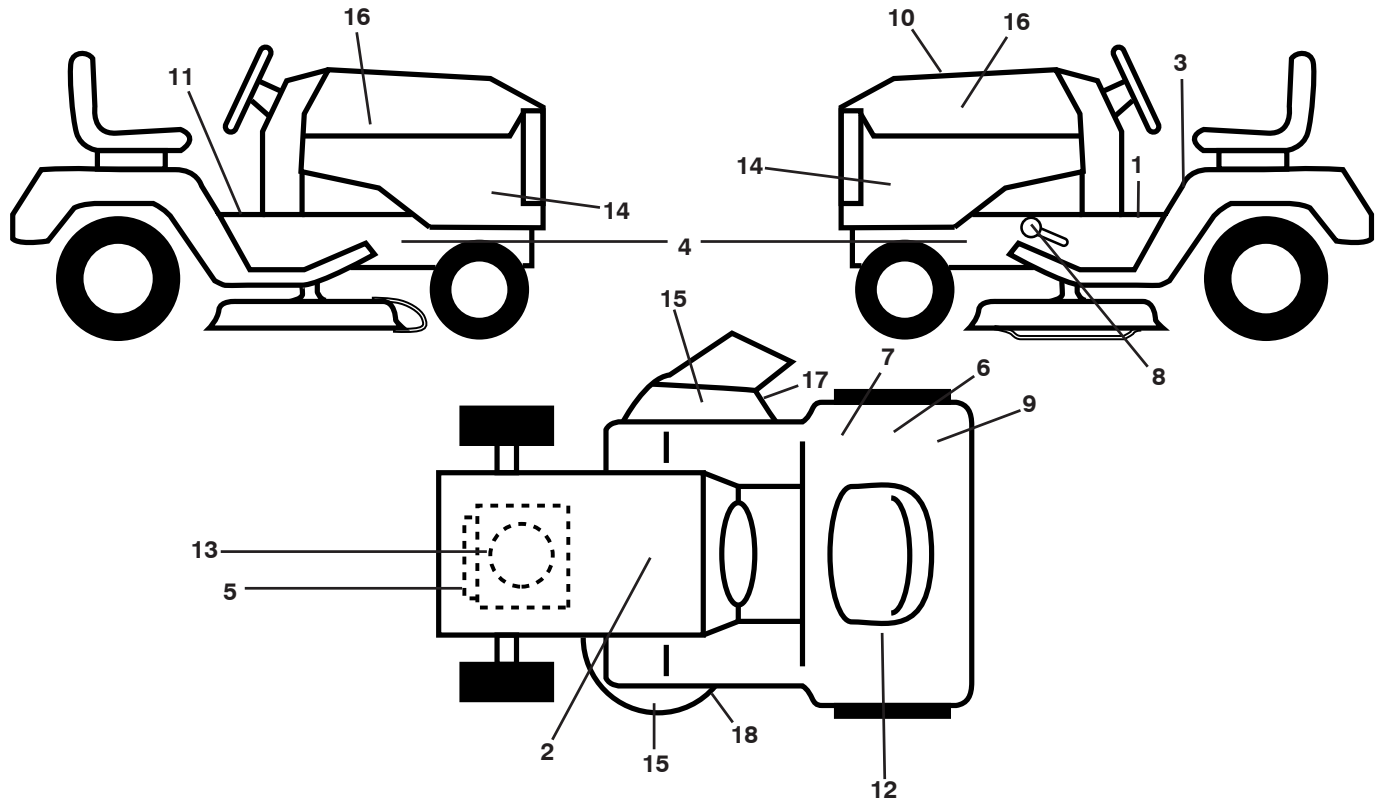
ILLUSTRATED PARTS LIST

MFG. ID NO. 96041023701

CUSTOMER CATALOG NO. YTH2242TDRF

PRODUCT NO. 960 41 02-37

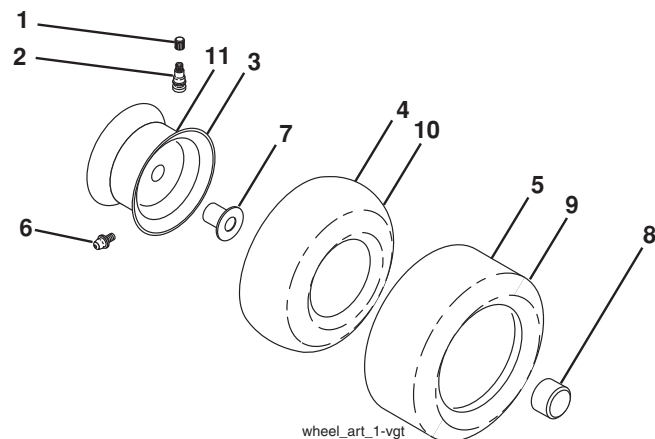
**TRACTOR - - MODEL NO. YTH2242TDRF (96041023701), PRODUCT NO. 960 41 02-37
DECALS 27**



| KEY NO. | PART NO. | DESCRIPTION |
|---------|--------------|-----------------------------|
| 1 | 532 14 08-37 | Decal, Saddle |
| 2 | 532 14 50-05 | Decal, Battery |
| 3 | 532 40 03-89 | Decal, Warn. Sym. |
| 4 | 532 15 97-36 | Decal, Chassis Hot |
| 5 | 532 43 29-14 | Decal, Engine HP |
| 6 | 532 16 88-69 | Decal, Tick Mark |
| 7 | 532 12 44-33 | Decal, DBA |
| 8 | 532 41 86-00 | Decal, Pedal |
| 9 | 532 17 83-02 | Decal, Oper. Cruise |
| 10 | 532 44 38-39 | Decal, Replacement |
| 11 | 532 15 97-37 | Decal, Brake/Clutch |
| 12 | 532 42 62-09 | Decal, Warning Reserve Fuel |

| KEY NO. | PART NO. | DESCRIPTION |
|---------|--------------|------------------------------|
| 13 | 532 19 68-41 | Decal, Engine |
| 14 | 532 44 40-01 | Decal, Panel Side |
| 15 | 581 72 43-01 | Decal, No Step |
| 16 | 581 62 73-01 | Decal, Hood Logo Badge |
| 17 | 539 11 32-24 | Decal, Warning |
| 18 | 532 19 87-85 | Decal, V-Belt Sch. |
| -- | 532 16 25-98 | Decal, Drawbar |
| -- | 532 16 69-60 | Decal, Bypass |
| -- | 532 43 98-82 | Pad, Footrest, LH |
| -- | 532 43 98-81 | Pad, Footrest, RH |
| -- | 532 44 85-67 | Manual, Operator's (English) |

WHEELS AND TIRES

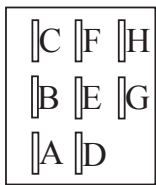
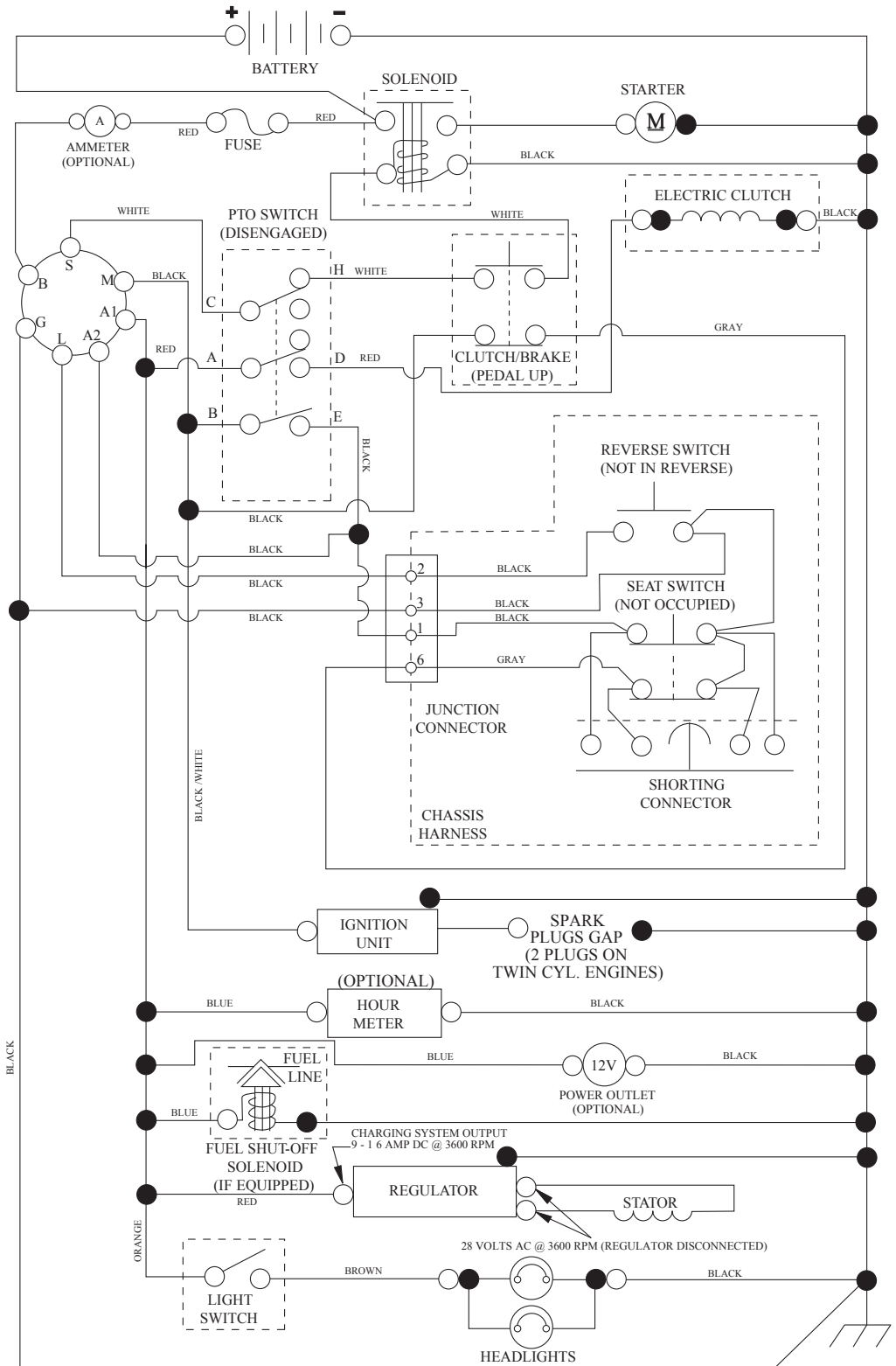


| KEY NO. | PART NO. | DESCRIPTION |
|---------|--------------|------------------------------------|
| 1 | 532 05 91-92 | Cap, Valve, Tire |
| 2 | 532 06 51-39 | Stem, Valve |
| 3 | 532 18 18-39 | Rim Assembly, Front |
| 4 | 532 00 81-34 | Tube, Front (Service Item Only) |
| 5 | 532 10 62-30 | Tire, Front |
| 6 | 532 12 49-57 | Fitting, Grease (Front Wheel Only) |
| 7 | 532 12 49-59 | Bearing, Flange (Front Wheel Only) |
| 8 | 532 17 50-39 | Cap, Axle |
| 9 | 532 12 20-82 | Tire, Rear |
| 10 | 532 12 49-26 | Tube, Rear (Service Item Only) |
| 11 | 532 13 83-37 | Rim Assembly, Rear |
| -- | 532 14 43-34 | Sealant, Tire (10 oz. Tube) |

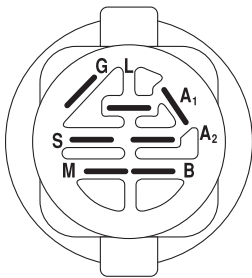
NOTE: All component dimensions given in U.S. inches
1 inch = 25.4 mm

TRACTOR - - MODEL NO. YTH2242TRF (96041023701), PRODUCT NO. 960 41 02-37 SCHEMATIC 38

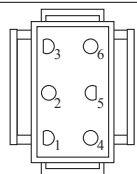
SCH12



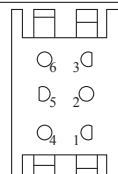
PTO SWITCH (MATING SIDE)



| POSITION | CIRCUIT "MAKE" |
|--------------|----------------|
| OFF | M+G+A1 |
| RUN/OVERRIDE | B+A1 |
| RUN | B+A1 L+A2 |
| START | B + S + A1 |



CHASSIS HARNESS CONNECTOR (MATING SIDE)



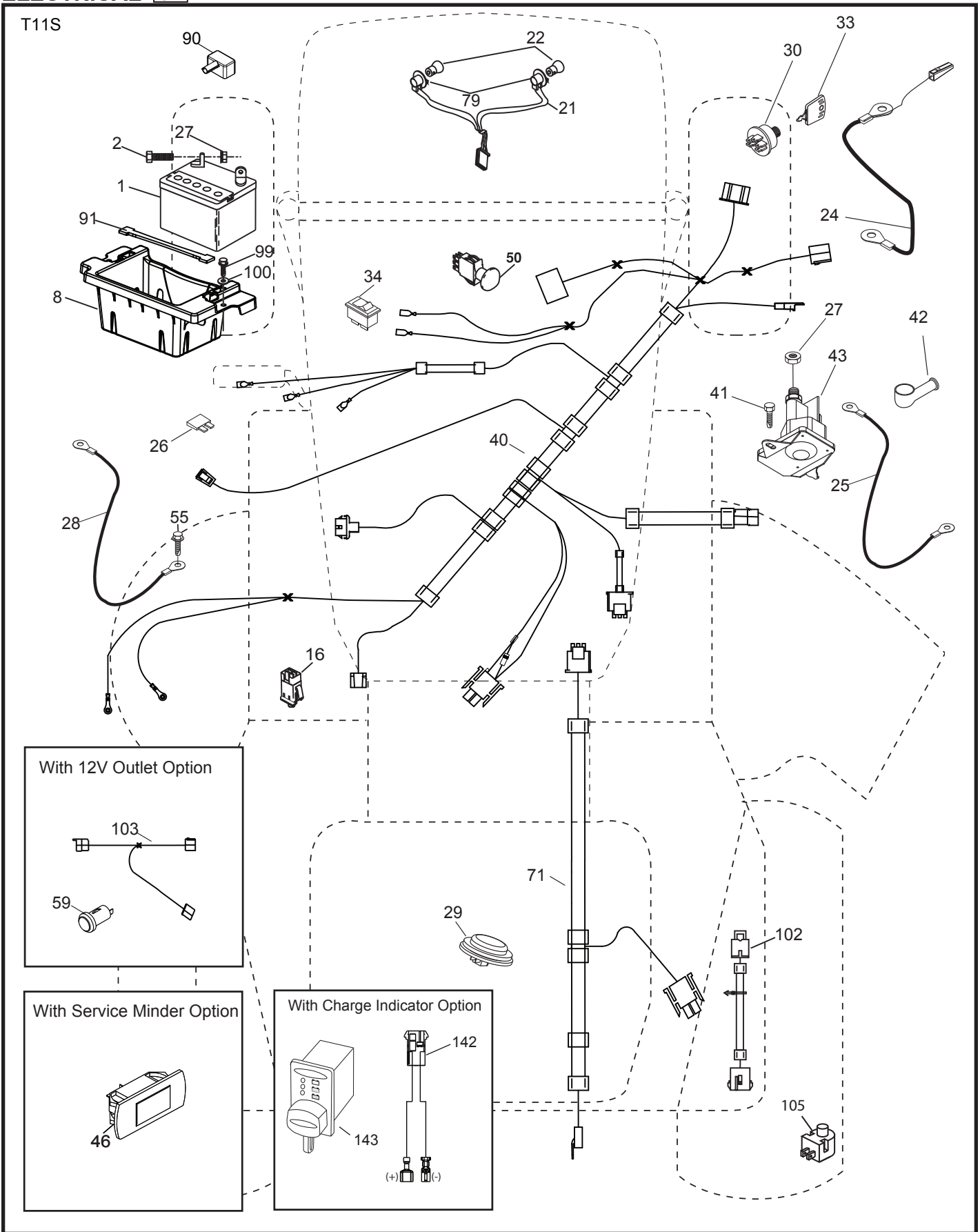
DASH HARNESS CONNECTOR

WIRING INSULATED CLIPS
NOTE: IF WIRING INSULATED CLIPS WERE REMOVED FOR SERVICING OF UNIT, THEY SHOULD BE RE-INSTALLED TO PROPERLY SECURE YOUR WIRING.

NON-REMOVABLE CONNECTIONS

REMOVABLE CONNECTIONS

TRACTOR - - MODEL NO. YTH2242TDRF (96041023701), PRODUCT NO. 960 41 02-37
ELECTRICAL 32

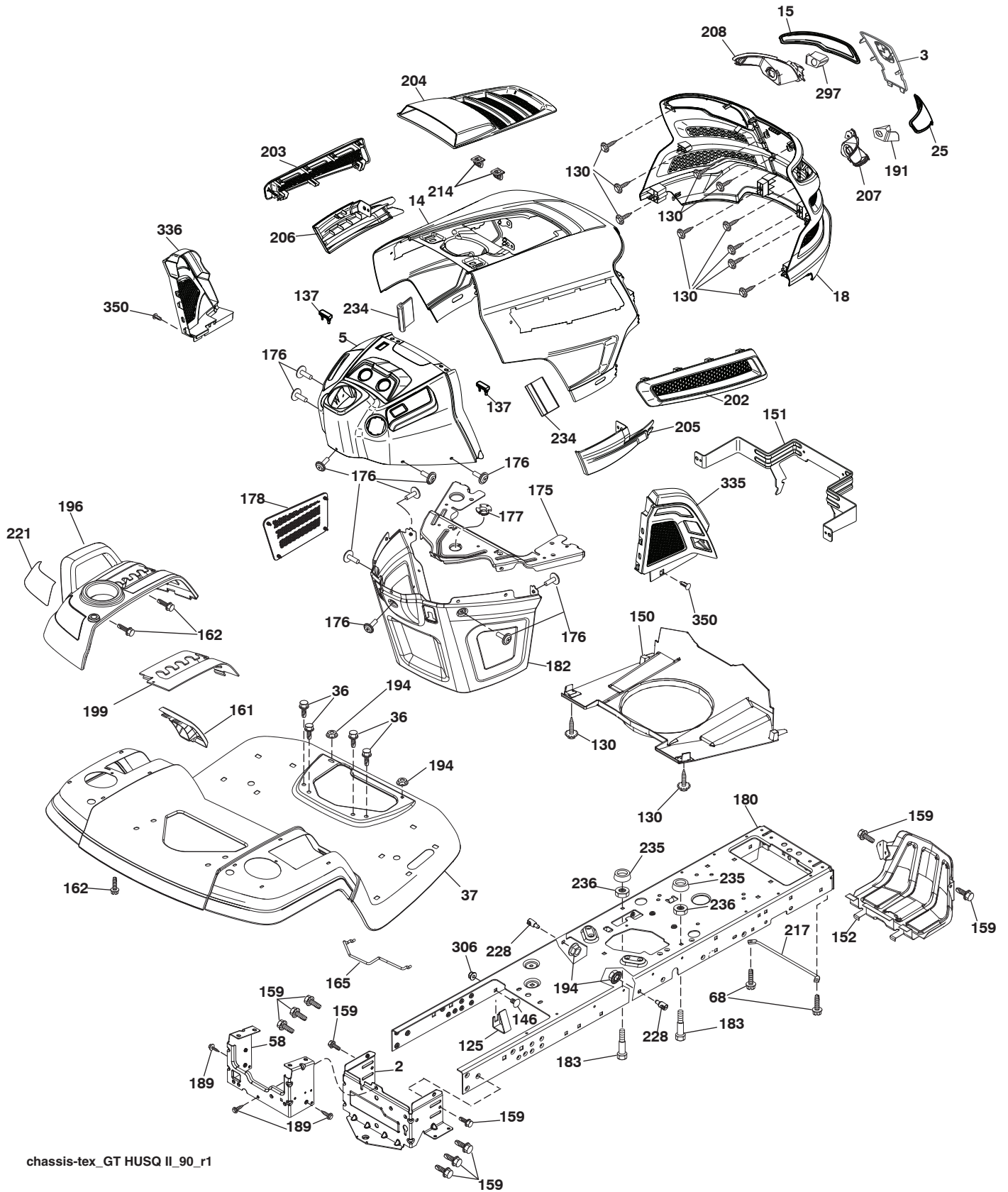


**TRACTOR - - MODEL NO. YTH2242TDRF (96041023701), PRODUCT NO. 960 41 02-37
ELECTRICAL 32**

| KEY NO. | PART NO. | DESCRIPTION |
|----------------|-----------------|----------------------------------|
| 1 | 532 16 34-65 | Battery |
| 2 | 874 76 04-12 | Bolt Hex Head 1/4-20 x 3/4 |
| 8 | 532 18 64-91 | Box Battery |
| 16 | 532 17 61-38 | Switch Interlock Push-In |
| 21 | 532 40 02-52 | Harness Socket Light w/4152J |
| 22 | 532 00 41-52 | Bulb Light |
| 24 | 532 40 02-53 | Cable Battery 8" |
| 25 | 532 41 28-95 | Cable Starter |
| 26 | 532 17 51-58 | Fuse |
| 27 | 873 51 04-00 | Nut Keps Hex 1/4-20 unc |
| 28 | 532 14 54-91 | Cable, Ground |
| 29 | 532 40 15-45 | Switch, Seat |
| 30 | 532 19 33-50 | Switch, Ign |
| 33 | 532 41 19-33 | Key/Chain |
| 34 | 532 11 07-12 | Switch Light / Reset |
| 40 | 581 02 27-01 | Harness Ign. Dash |
| 41 | 817 72 04-08 | Screw Thd Cut 1/4-20 x 1/2 |
| 42 | 532 13 15-63 | Cover, Terminal |
| 43 | 532 19 25-07 | Solenoid |
| 46 | 532 40 17-63 | Gauge Hrmtr |
| 50 | 532 17 46-51 | Switch PTO |
| 55 | 817 06 05-12 | Screw Thdrol 5/16-18 x 3/4 TYTT |
| 59 | 532 40 03-03 | Outlet 12-Volt |
| 71 | 532 19 42-76 | Harness Ign. |
| 79 | 532 17 52-42 | Socket Asm Bulb Twistlock |
| 90 | 532 43 53-95 | Cover Terminal |
| 91 | 532 19 02-70 | Strap Battery Mount Front |
| 99 | 817 67 04-12 | Screw Hexwsh Thdrol 1/4-20 x 3/4 |
| 100 | 819 09 14-16 | Washer 9/32 x 7/8 x 16 Ga. |
| 102 | 532 40 44-54 | Harness Pigtail |
| 103 | 532 40 79-62 | Harness 12-Volt Pigtail |
| 105 | 532 40 75-68 | Switch Reverse TT Pedal Control |
| 142 | 532 44 80-57 | Harness Charge Port |

NOTE: All component dimensions given in U.S. inches
1 inch = 25.4 mm

TRACTOR - - MODEL NO. YTH2242TDRF (96041023701), PRODUCT NO. 960 41 02-37
CHASSIS AND ENCLOSURES **39**



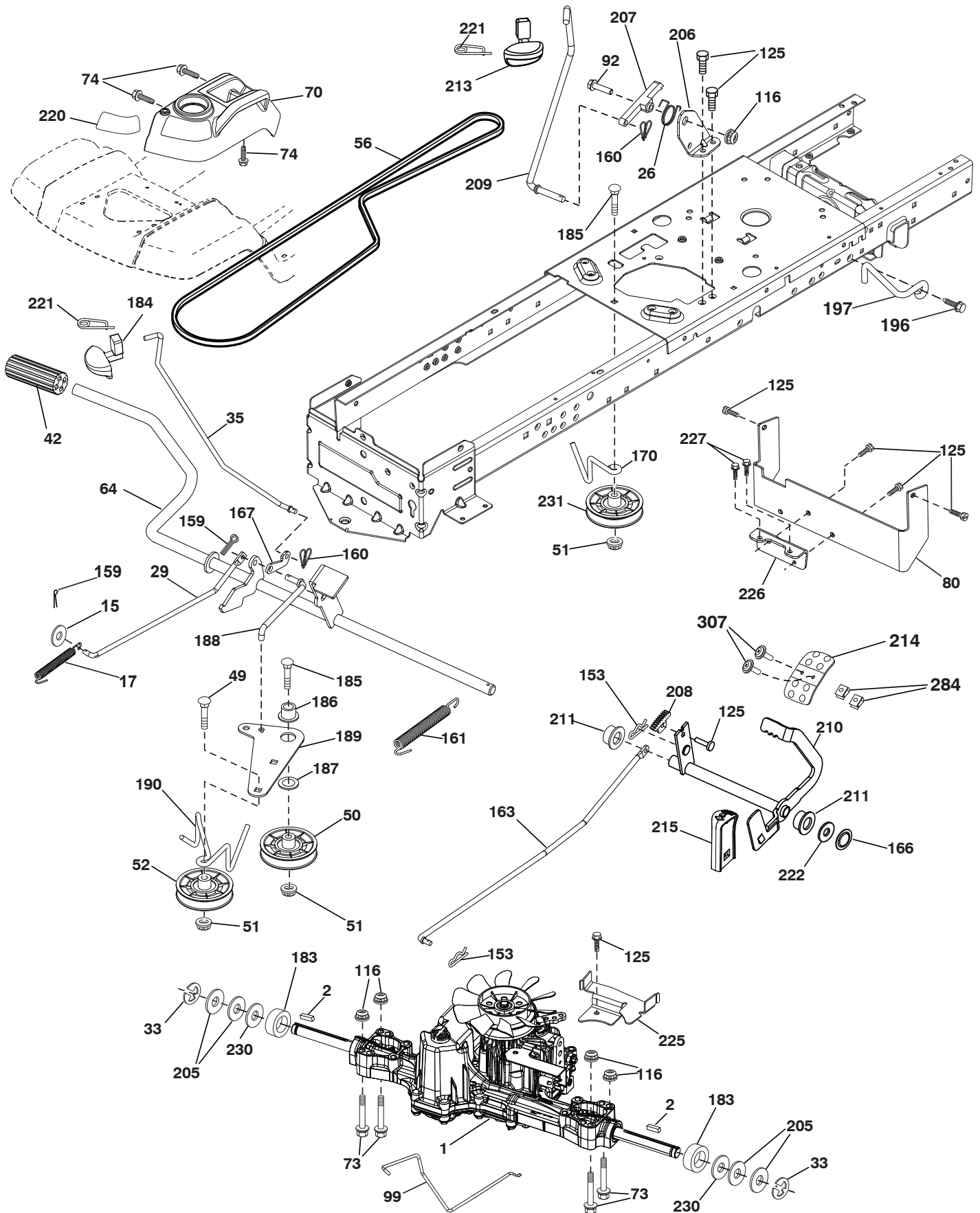
chassis-tex_GT HUSQ II_90_r1

**TRACTOR - - MODEL NO. YTH2242TDRF (96041023701), PRODUCT NO. 960 41 02-37
CHASSIS AND ENCLOSURES 39**

| KEY NO. | PART NO. | DESCRIPTION | KEY NO. | PART NO. | DESCRIPTION |
|------------|--------------|-----------------------------|------------|--------------|-----------------------------|
| 2 | 532 41 22-82 | Drawbar Lower | 189 | 817 00 05-12 | Screw 5/16-18 x 3/4 |
| 3 | 532 43 97-52 | Applique | 191 | 532 43 74-55 | Insert Reflective RH |
| 5 | 532 43 74-86 | Dash | 194 | 873 90 05-00 | Nut Lock Hex Flange 5/16-18 |
| 14 | 532 44 11-77 | Hood | 196 | 532 43 96-74 | Console Asm. Deck Lift |
| 15 | 532 43 97-33 | Lens LH | 199 | 532 19 82-59 | Plate Deck Lift |
| 18 | 532 44 06-53 | Grille | 202 | 532 43 97-28 | Vent Side Hood RH |
| 25 | 532 44 33-85 | Lens RH | 203 | 532 43 97-27 | Vent Side Hood LH |
| 36 | 817 06 05-12 | Screw 5/16-18 x 3/4 | 204 | 532 43 57-14 | Vent Top Hood |
| 37 | 532 44 12-08 | Fender | 205 | 532 43 97-30 | Skirt Hood Side RH |
| 58 | 532 41 22-81 | Drawbar Upper | 206 | 532 43 97-29 | Skirt Hood Side LH |
| 68 | 817 49 05-08 | Screw Thdrol 5/16-18 x 1/2 | 207 | 532 43 97-34 | Bezel RH |
| 125 | 581 68 48-01 | Clip Fuel Line | 208 | 532 43 97-35 | Bezel LH |
| 130 | 532 41 63-58 | Screw 10 x .750 BOS Thread | 214 | 532 19 91-45 | Clip Retainer Tinner |
| 137 | 532 40 75-90 | Bumper Dash | 217 | 532 40 91-67 | Rod Pivot |
| 146 | 581 85 79-01 | Bolt | 221 | 532 19 89-09 | Reflector LH |
| 150 | 532 43 97-74 | Air Duct | 228 | 532 19 51-61 | Stud Fastner |
| 151 | 532 43 66-70 | Bracket Pivot Hood | 234 | 532 40 47-42 | Bumper Hood |
| 152 | 532 43 98-70 | Shield Browning | 235 | 532 40 61-29 | Spacer Fender |
| 159 | 817 00 06-12 | Screw 3/8-16 x 3/4 | 236 | 873 93 05-00 | Nut Lock 5/16-18 unc |
| 161 | 532 43 99-29 | Window, Fuel | 297 | 532 43 74-56 | Insert Reflective LH |
| 162 | 532 14 24-32 | Screw Hex Wsh 1/4 x 1/2 unc | 306 | 873 90 06-00 | Nut Lock |
| 165 | 532 19 43-30 | Support Tank Rear | 335 | 532 44 82-04 | Cover LH Lower Close Out |
| 175 | 532 19 63-04 | Crossmember | 336 | 532 44 53-09 | Cover RH Lower Close Out |
| 176 | 532 40 07-76 | Screw 10-24 x 5/8 | 350 | 532 44 51-43 | Clip X-mas Tree |
| 177 | 532 19 52-27 | Bushing Steering | -- | 532 42 49-18 | Kit Guard Brush |
| 178 | 532 19 97-82 | Cargo Net Asm. | | | |
| 180 | 532 44 55-59 | Chassis | | | |
| 182 | 532 40 68-59 | Dash Lower | | | |
| 183 | 874 52 05-20 | Bolt 5/16-18 x1-1/4 | | | |

NOTE: All component dimensions given in U.S. inches
1 inch = 25.4 mm

TRACTOR - - MODEL NO. YTH2242TDRF (96041023701), PRODUCT NO. 960 41 02-37
 DRIVE **40**

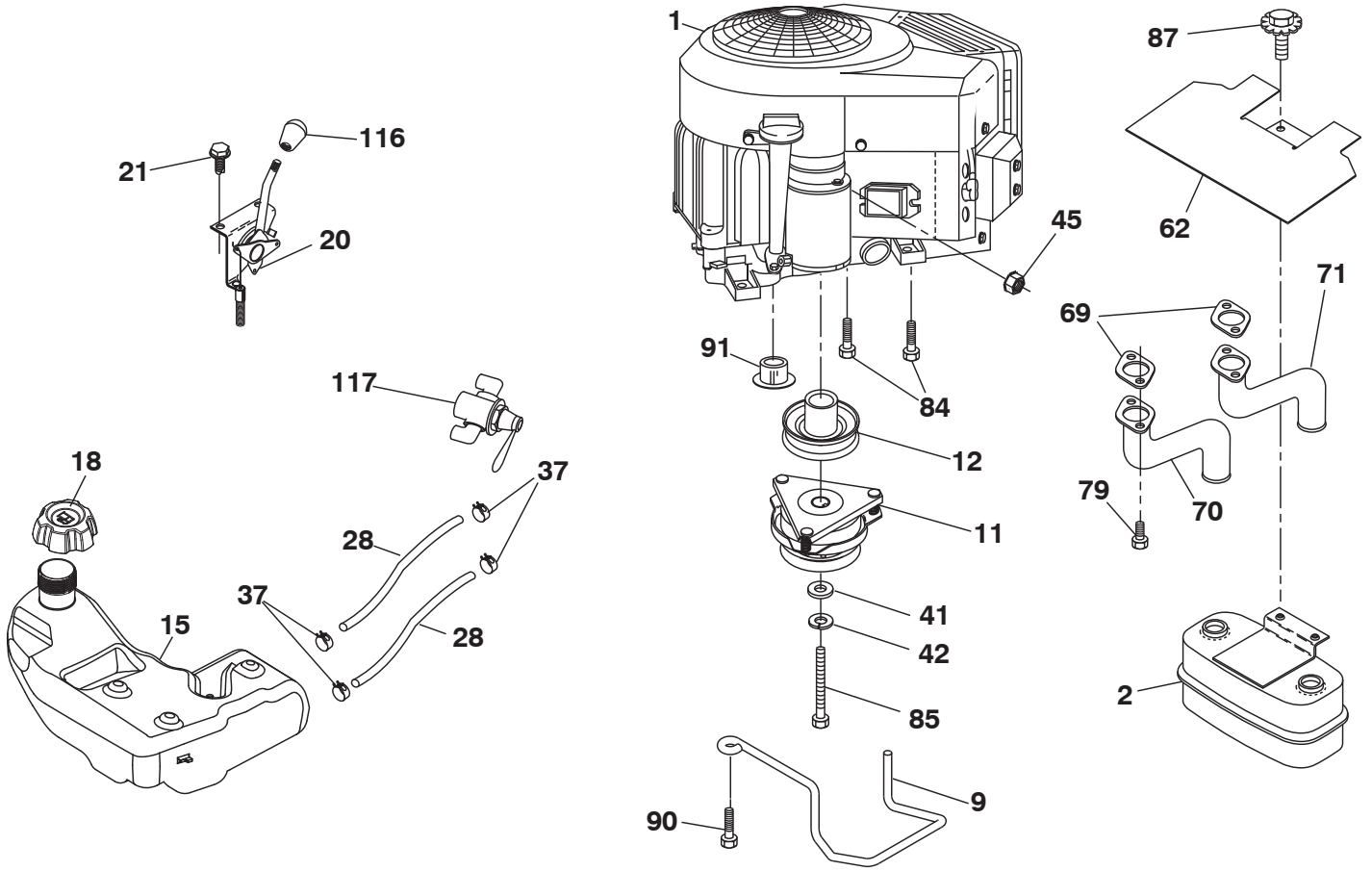


drive-tex_K46_pedal_71_r2

**TRACTOR - - MODEL NO. YTH2242TDRF (96041023701), PRODUCT NO. 960 41 02-37
DRIVE **40****

| KEY NO. | PART NO. | DESCRIPTION | KEY NO. | PART NO. | DESCRIPTION |
|----------------|-----------------|---|----------------|-----------------|----------------------------------|
| 1 | --- | Transaxle, TUFFTORQ K46CR (426121) (Order parts from transaxle manufacturer.) | 183 | 532 13 70-57 | Spacer Split |
| 2 | 532 12 35-83 | Key | 184 | 532 44 14-55 | Handle Parking Brake |
| 15 | 819 13 13-16 | Washer 13/32 x 13/16 x 16 Ga. | 185 | 872 11 06-22 | Bolt Rdhd Sqnk 3/8-16 x 2-1/2 |
| 17 | 532 41 36-78 | Spring, Brake | 186 | 532 19 43-21 | Spacer Retainer |
| 26 | 532 19 96-79 | Spring Return Cruise | 187 | 819 13 32-10 | Washer |
| 29 | 532 40 38-06 | Rod, Brake | 188 | 532 19 43-23 | Link Clutch Ground Drive |
| 33 | 812 00 00-01 | Ring E | 189 | 532 19 43-17 | Bellcrank Ground Drive |
| 35 | 583 86 45-01 | Rod, Brake, Park | 190 | 532 19 43-18 | Keeper Bellcrank Ground Drive |
| 42 | 532 12 48-72 | Cover, Foot Pedal | 196 | 817 00 06-16 | Screw 3/8-16 x 1 |
| 49 | 872 11 06-14 | Bolt | 197 | 532 19 58-04 | Bracket Clutch Anti-Rotation |
| 50 | 532 19 43-27 | Pulley Idler Flat | 205 | 532 12 17-48 | Washer |
| 51 | 873 90 06-00 | Lock Nut 3/8-16 | 206 | 532 19 78-67 | Bracket Mount Latch Cruise |
| 52 | 532 19 43-26 | Idler V-Groove 910" Offset | 207 | 532 19 78-68 | Latch Control Cruise |
| 56 | 532 13 09-69 | V-Belt, Drive | 208 | 532 19 78-69 | Gear Sector Control Cruise |
| 64 | 532 19 78-65 | Shaft Asm. Pedal Brake Control | 209 | 532 19 95-92 | Rod Control Cruise |
| 70 | 532 43 96-61 | Console Shift | 210 | 532 19 78-60 | Rocker Asm. Pedal Control |
| 73 | 874 49 05-40 | Bolt Hex Flghd 5/16-18 x 2-1/2 Gr. 5 | 211 | 532 12 01-83 | Bearing Nylon |
| 74 | 532 14 24-32 | Screw Hex Wsh. Hi-Lo 1/4 x 1/2 unc | 213 | 532 40 31-19 | Knob Control Cruise |
| 80 | 532 44 06-19 | Bracket Strap Torque | 214 | 532 41 68-63 | Pedal Forward |
| 92 | 874 76 05-20 | Bolt Fin Hex 5/16-18 unc x 1.25 | 215 | 532 40 17-23 | Pedal Reverse |
| 99 | 532 41 57-42 | Rod Spring Bypass | 220 | 532 19 89-08 | Reflector RH |
| 116 | 873 90 05-00 | Nut Lock Hex Flange 5/16-18 | 221 | 532 40 31-87 | Retainer Spring Clip Handle |
| 125 | 817 00 05-12 | Screw 5/16-18 x 3/4 | 222 | 879 21 20-10 | Washer 21/32 x 1-1/4 x 10 Ga. |
| 153 | 532 12 47-88 | Retainer Spring | 225 | 532 40 33-19 | Keeper Belt Trans. |
| 159 | 876 02 04-12 | Pin Cotter 1/8 x 3/4 | 226 | 532 40 15-64 | Bracket Mount Torque |
| 160 | 532 16 94-84 | Retainer Clip | 227 | 817 49 05-12 | Screw Thdrol 5/16-18 x 3/4 |
| 161 | 532 10 57-09 | Spring, Return, Clutch | 230 | 532 18 89-67 | Washer Hardened |
| 163 | 532 44 82-75 | Rod Pedal Control | 231 | 532 40 72-87 | Idler V-Groove |
| 166 | 532 42 91-64 | Nut Push | 284 | 532 41 76-93 | Nut U-CHNL 1/4-20 550DP .350 PNL |
| 167 | 532 40 52-57 | Latch Brake Parking | 307 | 874 18 04-12 | Screw PHD 1/4-20 Box Drive |
| 170 | 532 41 34-30 | Keeper Belt Centerspan | | | |

NOTE: All component dimensions given in U.S. inches
1 inch = 25.4 mm



29

SPARK ARRESTER KIT

engine-tex_bs-2cyl_27

**TRACTOR - - MODEL NO. YTH2242TDRF (96041023701), PRODUCT NO. 960 41 02-37
ENGINE 24**

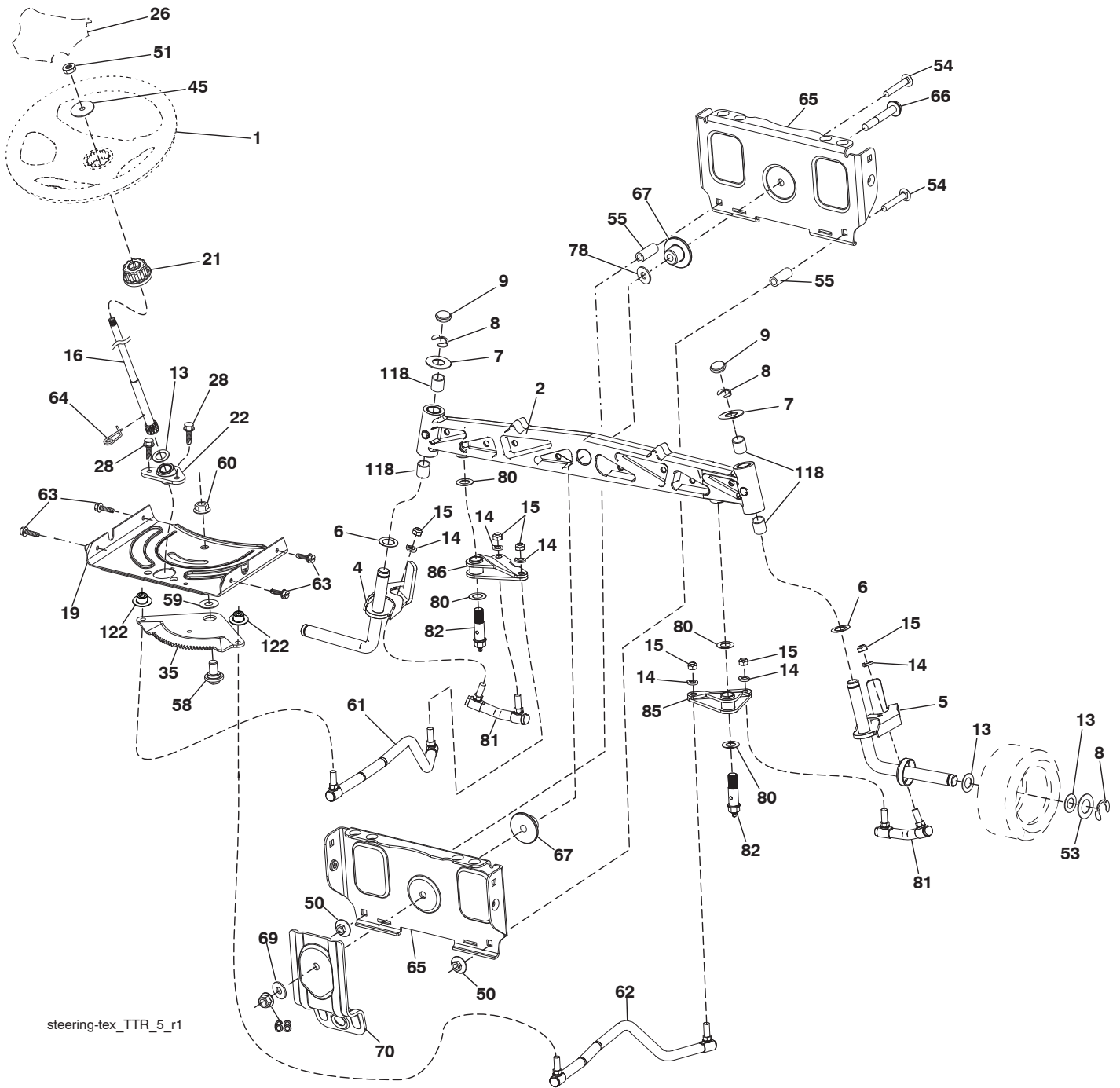
| KEY NO. | PART NO. | DESCRIPTION |
|------------|--------------|---|
| 1 | ----- | Engine Briggs Model No. 40H777-1575-G5 (442152) (Order parts from engine manufacturer.) |
| 2 | 532 14 97-23 | Muffler |
| 9 | 532 19 43-20 | Keeper Belt Engine |
| 11 | 532 40 00-08 | Clutch Electric |
| 12 | 532 40 50-97 | Pulley Engine |
| 15 | 532 42 28-04 | Tank Fuel |
| 18 | 532 43 96-45 | Cap |
| 20 | 532 42 43-40 | Control Throttle/Choke |
| 21 | 532 41 63-58 | Screw #10 x .750 BOS Thread |
| 28 | 532 14 21-58 | Fuel Line |
| 29 | 532 13 71-80 | Spark Arrester Kit |
| 37 | 532 12 34-87 | Clamp Hose |
| 41 | 532 12 61-97 | Washer 1-1/2 OD x 15/32 ID x .250 |
| 42 | 810 04 07-00 | Washer Lock 7/16 |
| 45 | 873 51 04-00 | Nut Keps Hex 1/4-20 unc |
| 62 | 532 43 40-17 | Heat Shield |
| 69 | 532 16 53-91 | Gasket |
| 70 | 581 88 11-01 | Tube Exhaust |
| 71 | 581 88 10-01 | Exhaust Tube |
| 79 | 532 18 39-06 | Screw Socket HP 5/16-18 x 1 |
| 84 | 817 06 06-20 | Screw 3/8-16 x 1-1/4 |
| 85 | 532 17 39-37 | Bolt Hex 7/16-20 x 4 x Gr. 5-1.5 Thr |
| 87 | 537 17 18-77 | Bolt 5/16-18 unc x 3/4 w/Sems |
| 90 | 817 00 06-16 | Screw 3/8-16 x 1 |
| 91 | 532 18 74-95 | Bushing 1.375 OD |
| 116 | 539 13 26-24 | Knob |
| 117 | 532 42 08-28 | Valve Fuel Reserve |

NOTE: All component dimensions given in U.S. inches
1 inch = 25.4 mm

Engine Power Rating Information

The gross power rating for individual gas engine models is labeled in accordance with SAE (Society of Automotive Engineers) code J1940 (Small Engine Power & Torque Rating Procedure), and rating performance has been obtained and corrected in accordance with SAE J1995 (Revision 2002-05). Torque values are derived at 3060 RPM; horsepower values are derived at 3600 RPM. Actual gross engine power will be lower and is affected by, among other things, ambient operating conditions and engine-to-engine variability. Given both the wide array of products on which engines are placed and the variety of environmental issues applicable to operating the equipment, the gas engine will not develop the rated gross power when used in a given piece of power equipment (actual “on-site” or net power). This difference is due to a variety of factors including, but not limited to, accessories (air cleaner, exhaust, charging, cooling, carburetor, fuel pump, etc.), application limitations, ambient operating conditions (temperature, humidity, altitude), and engine-to-engine variability. Due to manufacturing and capacity limitations, Briggs & Stratton may substitute an engine of higher rated power for this Series engine.

TRACTOR - - MODEL NO. YTH2242TDRF (96041023701), PRODUCT NO. 960 41 02-37
STEERING ASSEMBLY **41**



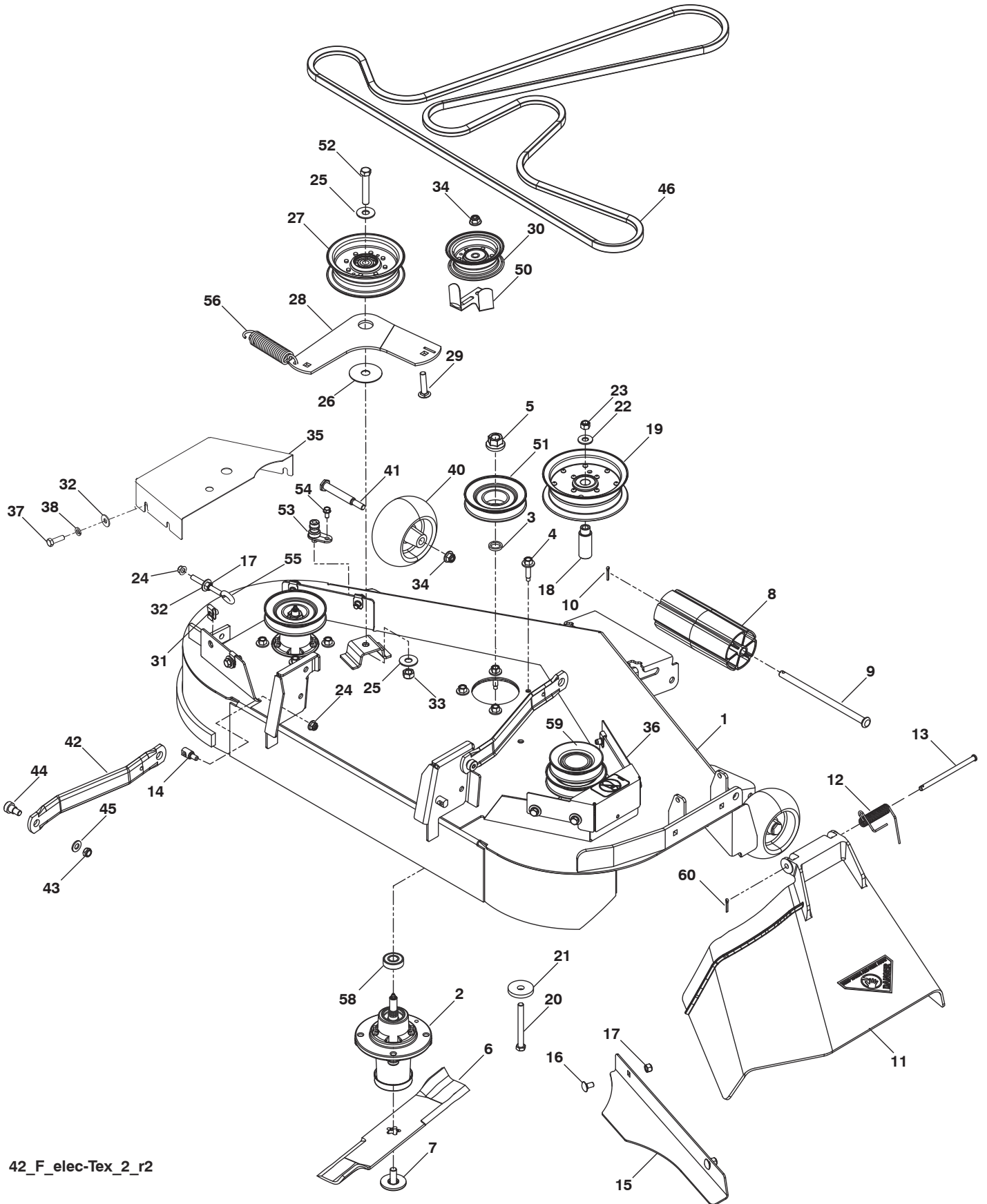
steering-tex_TTR_5_r1

**TRACTOR - - MODEL NO. YTH2242TDRF (96041023701), PRODUCT NO. 960 41 02-37
STEERING ASSEMBLY 41**

| KEY NO. | PART NO. | DESCRIPTION |
|----------------|-----------------|----------------------------------|
| 1 | 532 43 97-40 | Wheel, Steering |
| 2 | 532 43 68-70 | Axle Asm., Front |
| 4 | 532 43 68-73 | Spindle Asm., LH |
| 5 | 532 43 68-74 | Spindle Asm., RH |
| 6 | 532 12 49-31 | Bearing, Race Thrust Harden |
| 7 | 532 12 17-48 | Washer 25/32 x 1-5/8 x 16 Ga. |
| 8 | 812 00 00-29 | Ring, Clip #T5304-75 |
| 9 | 532 12 12-32 | Cap, Spindle |
| 13 | 532 12 17-49 | Washer 25/32 x 1-1/4 x 16 Ga. |
| 14 | 810 04 06-00 | Washer, Lock Hvy Hlcl Spr 3/8 |
| 15 | 873 54 06-00 | Nut, Crown Lock 3/8-24 unf |
| 16 | 532 44 42-12 | Shaft Steering |
| 19 | 532 19 47-29 | Plate Steering |
| 21 | 532 43 77-47 | Adapter, Wheel Steering |
| 22 | 532 19 48-45 | Steering Support Lower |
| 26 | 532 43 97-43 | Insert, Wheel Steering |
| 28 | 817 00 06-12 | Screw 3/8-16 x 3/4 |
| 35 | 532 44 07-70 | Gear, Sector Plate |
| 45 | 819 18 38-12 | Washer 9/16 ID x 2-3/8 OD 12 Ga. |
| 50 | 873 90 06-00 | Nut Lock Flg. 3/8-16 unc |
| 51 | 873 94 08-00 | Nut Hex Jam Toplock 1/2-20 unf |
| 53 | 532 18 89-67 | WasherHardened.793x1.637x.060 |
| 54 | 874 76 06-36 | Bolt Hex 3/8-16 unc x 2-1/4 |
| 55 | 532 41 47-36 | Spacer Brace Axle |
| 58 | 532 19 47-47 | Bolt Shoulder Sector Pivot CFM |
| 59 | 532 19 47-48 | Washer Thrust Sector Steering |
| 60 | 873 97 10-00 | Nut Flange Lock 5/8-11 |
| 61 | 532 43 68-84 | Draglink, LH |
| 62 | 532 43 68-85 | Draglink, RH |
| 63 | 817 00 05-12 | Screw 5/16-18 x 3/4 |
| 64 | 532 19 98-49 | Retainer Clip Spring Steering |
| 65 | 532 19 47-34 | Brace Axle Front |
| 66 | 871 02 07-48 | Bolt Hex Fghd 7/16-14 x 3 Serr |
| 67 | 532 19 47-37 | Bushing PM Front Axle |
| 69 | 532 19 91-62 | Washer 1.5 x .505 x .118 |
| 70 | 532 19 61-97 | Bracket Deck Susp. Front |
| 78 | 532 05 70-79 | Washer Thrust |
| 80 | 532 00 13-70 | Washer Thrust 5/8 x 1.10 x 1/32 |
| 81 | 532 43 68-87 | Link Cross RH |
| 82 | 532 43 68-77 | Pivot Bolt |
| 85 | 532 44 18-73 | Pivot RH |
| 86 | 532 44 18-72 | Pivot LH |
| 118 | 532 40 60-13 | Bushing |
| 122 | 532 44 49-62 | Cap Gear Sector |

NOTE: All component dimensions given in U.S. inches
1 inch = 25.4 mm

TRACTOR - - MODEL NO. YTH2242TDRF (96041023701), PRODUCT NO. 960 41 02-37
MOWER DECK **44**



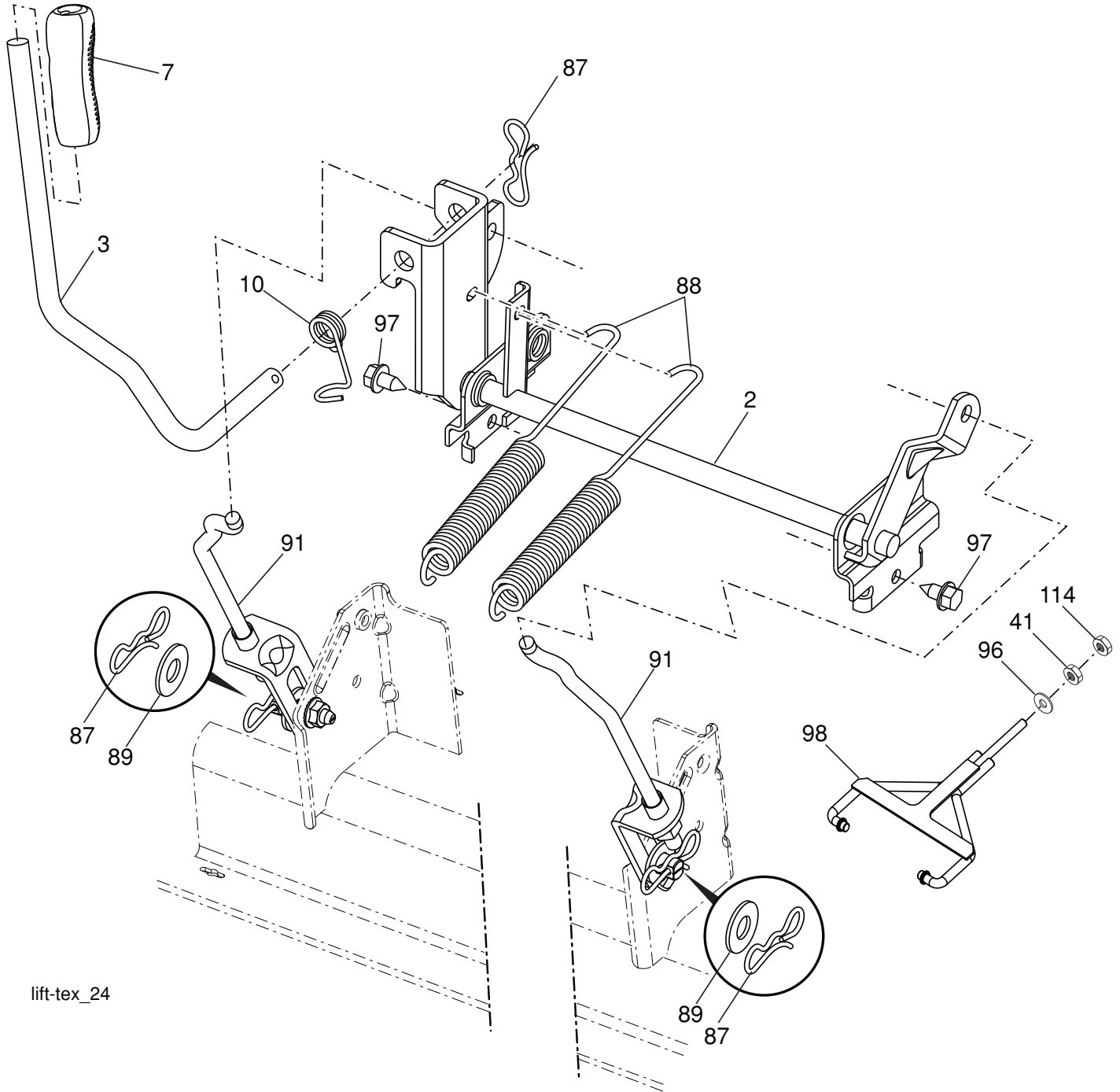
42_F_elec-TeX_2_r2

**TRACTOR - - MODEL NO. YTH2242TDRF (96041023701), PRODUCT NO. 960 41 02-37
MOWER DECK 44**

| KEY NO. | PART NO. | DESCRIPTION | KEY NO. | PART NO. | DESCRIPTION |
|---------|--------------|-------------------------------|---------|--------------|---------------------------|
| 1 | 574 77 89-02 | Deck | 32 | 539 99 06-92 | Washer, 5/16 Std Flt |
| 2 | 539 11 21-70 | Housing Assembly | 33 | 539 13 20-19 | Nut, 7/16-14 Hex Nyloc |
| 3 | 532 18 76-90 | Washer-Spacer | 34 | 521 99 65-01 | Nut 3/8-16 Hex Flg Nyloc |
| 4 | 532 17 39-84 | Screw, Washer Head | 35 | 575 22 47-02 | Shield, Belt LH |
| 5 | 532 40 02-34 | Nut, 9/16 Top Center Lock | 36 | 575 96 71-02 | Shield, Belt RH |
| 6 | 539 11 20-78 | Blade, 14-5/8" | 37 | 539 99 02-09 | Hcs 5/16-18 x 1 Gr. 5 |
| 7 | 532 19 30-03 | Bolt, 7/16, Assy Blade | 38 | 539 99 01-87 | Wash 5/16 Slw |
| 8 | 532 17 60-66 | Roller, Nose | 40 | 532 13 39-57 | Wheel, Gauge |
| 9 | 532 17 91-27 | Rod, Roller, Nose | 41 | 532 19 34-06 | Bolt, Shoulder |
| 10 | 532 19 42-08 | Clip Retainer | 42 | 532 19 51-85 | Arm, Susp., Rear |
| 11 | 539 11 07-31 | Discharge Chute - 42" Plastic | 43 | 539 20 02-82 | Nut, 3/8-16 Hex Jam Nyloc |
| 12 | 539 11 07-35 | Spring - Torsion | 44 | 539 11 36-21 | Sb 3/8-16 x 3/8 Skt Hd |
| 13 | 539 11 07-36 | Pin, Clevis 5/16 x 5.19 | 45 | 539 99 01-22 | Washer, 3/8 Sae Flt |
| 14 | 532 19 51-61 | Stud, Fasten w/ Anti- Rotate | 46 | 574 84 56-01 | Belt, 42" Fab Deck |
| 15 | 539 11 24-12 | Confinement Plate | 50 | 575 22 43-01 | Guard, Belt |
| 16 | 539 99 07-99 | Rhsnb 5/16-18 x 5/8 Gr. 5 | 51 | 575 22 44-01 | Pulley, Mandrel |
| 17 | 539 99 07-17 | Nut 5/16-18 Hex Nyloc | 52 | 539 10 48-70 | Hcs 7/16-14 x 2-1/2 Gr. 5 |
| 18 | 575 22 45-01 | Idler Bushing | 53 | 532 41 55-98 | Washout Port |
| 19 | 539 13 27-28 | Pulley, Idler | 54 | 539 10 84-61 | Bolt, 1/4-20 x 1/2 |
| 20 | 539 10 82-71 | Hcs 3/8-16 x 3-1/2 Gr. 5 | 55 | 539 11 55-74 | Eyebolt 5/16 x 3-1/2 |
| 21 | 539 10 65-04 | Heavy Washer | 56 | 539 10 68-50 | Spring |
| 22 | 539 99 05-17 | Washer, 3/8 Flat Std | 58 | 532 11 04-85 | Ball Bearing |
| 23 | 539 97 69-79 | Nut 3/8-16 Hex Nyloc | 59 | 575 41 62-01 | Pulley |
| 24 | 539 11 28-99 | Nut 5/16-18 Hex Flange Nyloc | 60 | 532 16 94-84 | Retainer Clip |
| 25 | 539 10 48-64 | Washer, 7/16 Flat | -- | 532 44 53-57 | Mower Deck Complete |
| 26 | 532 17 85-15 | Washer, Flat Hardened | | | |
| 27 | 532 19 61-04 | Pulley, Idler Spec. Hub | | | |
| 28 | 574 82 71-01 | Arm, Idler, Blk | | | |
| 29 | 539 99 09-23 | Rhsnb 3/8-16 x 1-3/4 Gr. 5 | | | |
| 30 | 532 17 79-68 | Pulley, Idler | | | |
| 31 | 539 10 47-63 | Retainer 5/16c U Type | | | |

NOTE: All component dimensions given in U.S. inches
1 inch = 25.4 mm

TRACTOR - - MODEL NO. YTH2242TDRF (96041023701), PRODUCT NO. 960 41 02-37
MOWER LIFT 45



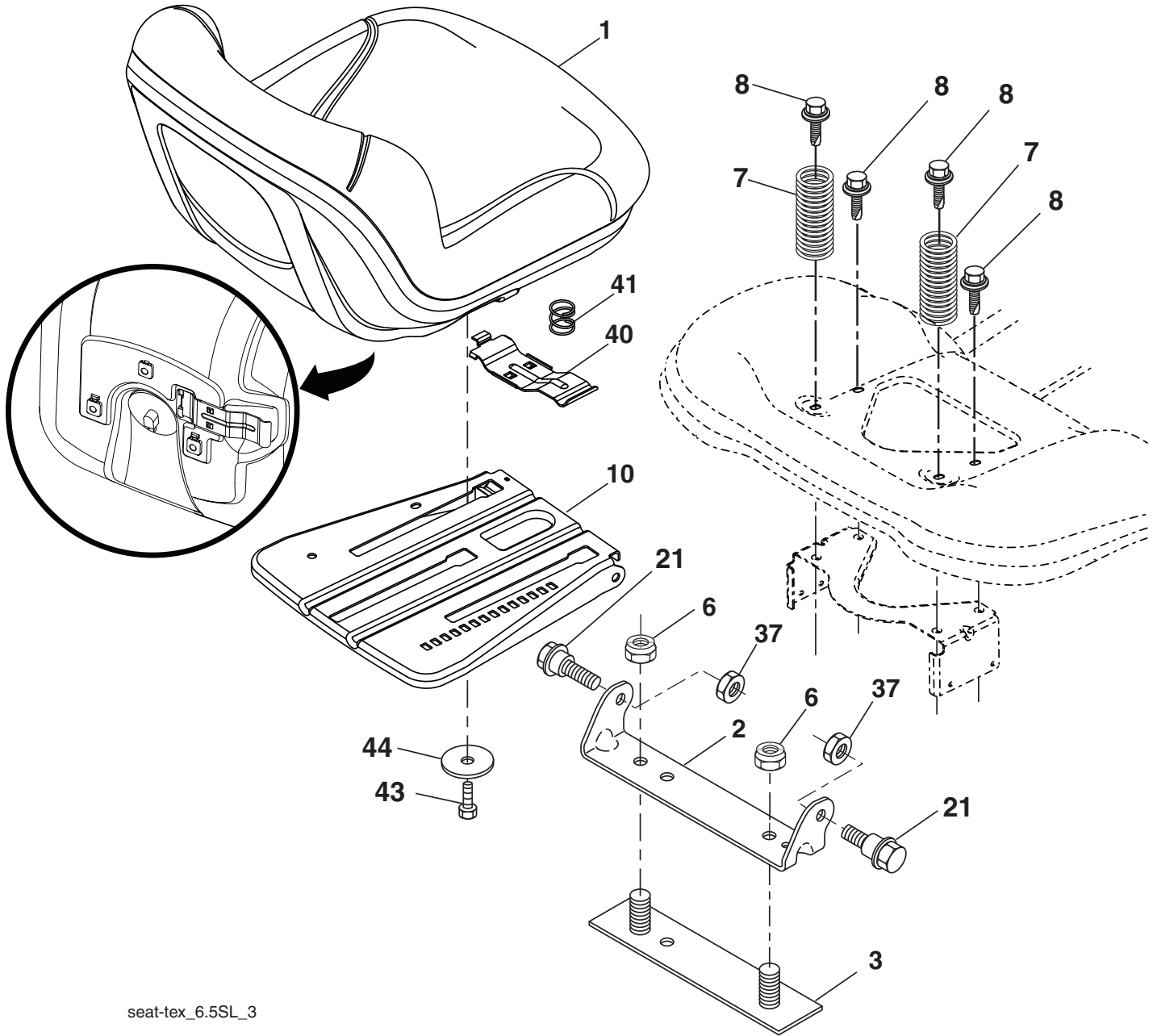
lift-tex_24

| KEY PART NO. | NO. | DESCRIPTION |
|--------------|--------------|------------------------------|
| 2 | 532 42 20-27 | Shaft Asm., Lift |
| 3 | 532 19 52-30 | Lever Asm., Lift RH |
| 7 | 532 41 15-55 | Grip, Lever |
| 10 | 532 19 63-14 | Spring Torsion |
| 41 | 532 17 59-94 | Nut, Lift Link |
| 87 | 532 19 42-09 | Pin Cotter 7/16 Bow Tie Lock |
| 88 | 532 41 07-10 | Spring Lift Assist |
| 89 | 819 19 19-12 | Washer Clear Zinc |

| KEY PART NO. | NO. | DESCRIPTION |
|--------------|--------------|-----------------------------|
| 91 | 532 40 34-07 | Link Lift Susp Mower Rear |
| 96 | 532 19 52-63 | Bushing, Spherical |
| 97 | 817 00 06-12 | Screw 3/8-16 x .75 |
| 98 | 574 82 25-01 | Link Lift Susp. Front Mower |
| 114 | 873 36 07-00 | Nut Jam 7/16-20 |

NOTE: All component dimensions given in U.S. inches
 1 inch = 25.4 mm

**TRACTOR - - MODEL NO. YTH2242TDRF (96041023701), PRODUCT NO. 960 41 02-37
SEAT ASSEMBLY 42**



seat-tex_6.5SL_3

| KEY NO. | PART NO. | DESCRIPTION |
|---------|--------------|-------------------------------|
| 1 | 532 43 98-22 | Seat |
| 2 | 532 18 01-66 | Bracket Pivot Fender |
| 3 | 532 14 06-75 | Strap, Asm Fender |
| 6 | 873 80 06-00 | Nut, Lock w/Ins. 3/8-16 unc |
| 7 | 532 12 41-81 | Spring, Seat Cprsn |
| 8 | 532 17 18-77 | Bolt 5/16-18 unc x 3/4 w/Sems |
| 10 | 532 19 69-77 | Pan, Seat |
| 21 | 532 17 18-52 | Bolt, Shoulder 5/16-18 |

| KEY NO. | PART NO. | DESCRIPTION |
|---------|--------------|-------------------------------|
| 37 | 873 80 05-00 | Nut, Lock 5/16-18 unc |
| 40 | 532 19 76-61 | Handle Slide Seat |
| 41 | 532 19 82-00 | Spring Latch Seat |
| 43 | 874 76 06-12 | Bolt Fin Hex 3/8-16 unc x 3/4 |
| 44 | 819 13 38-12 | Washer 13/32 x 2-3/8 x 12 Ga. |

NOTE: All component dimensions given in U.S. inches
1 inch = 25.4 mm

