

# LT1942

**Spare parts**

**Ersatzteile**

**Pièces détachées**

**Reserve onderdelen**

**Repuestos**

**Reservdelar**

---

# Repair Parts Manual Manual De Repuestos

LT1942 / 96041031500

Please read the operator's manual carefully and make sure you understand the instructions before using the machine.

Por favor lea cuidadosamente y comprenda estas intrucciones antes de usar esta maquina.



English/Spanish

581 35 75-40 Rev. 2



# HOW TO USE THIS MANUAL

This manual is designed to provide the customer with a means to identify the parts on his/her tractor when ordering repair parts. The illustrations may or may not represent the actual assemblies; therefore, it is not recommended to use this manual as a guide to assemble or disassemble the tractor. Some hardware and parts are drawn larger in order to more readily identify them.

Each tractor has its own model number.

The model number for your tractor can be found on the fender under the seat.

When ordering parts, always give the following information:

- Product - "TRACTOR"
- MODEL NUMBER - "LT1942" (96041031500)"
- Part Number
- Part Description

## TABLE OF CONTENTS

SCHEMATIC .....	3
ELECTRICAL.....	4-5
CHASSIS .....	6-7
DRIVE.....	8-9
ENGINE.....	10-11
STEERING .....	12-13
MOWER DECK.....	14-15
MOWER LIFT.....	16
SEAT .....	17
DECALS.....	18

## COMO UTILIZAR ESTE MANUAL

Este manual está diseñado para brindarle al comprador un medio para identificar las piezas del tractor para cuando necesite hacer el pedido de un repuesto. Las ilustraciones pueden o no representar los ensambles reales; por lo tanto, no se recomienda utilizar este manual como una guía para ensamblar o desarmar el tractor. Algunos accesorios y piezas están dibujados en tamaños más grandes para identificarlos con mayor facilidad.

Cada tractor tiene su propio número de modelo.

El número de modelo del tractor se encuentra en el guardabarros debajo del asiento.

Cuando haga el pedido de una pieza, siempre brinde la siguiente información:

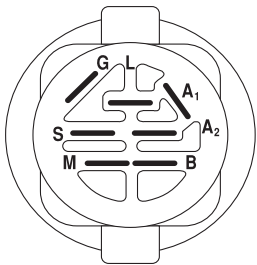
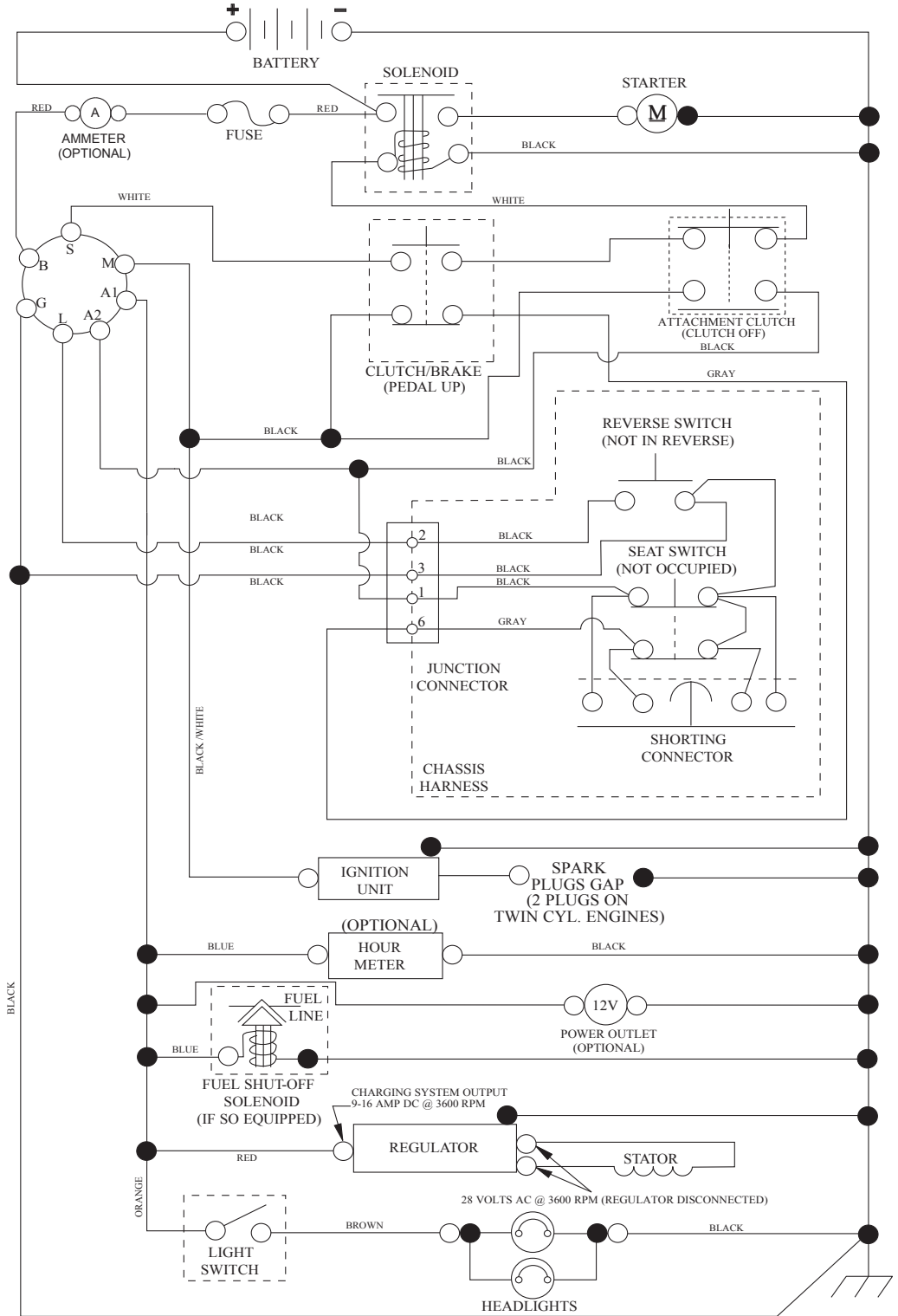
- Producto: "TRACTOR"
- NÚMERO DE MODELO: "LT1942"(96041031500)"
- Número de pieza
- Descripción de la pieza

## ÍNDICE

DIAGRAMA.....	19
DIAGRAMA ELÉCTRICO .....	20-21
CHASIS.....	22-23
TRANSMISIÓN .....	24-25
MOTOR.....	26-27
DIRECCIÓN .....	28-29
PLATAFORMA DE LA CORTADORA DE CÉSPED.....	30-31
ELEVACIÓN DE LA CORTADORA DE CÉSPED.....	32
ASIENTO.....	33
CALCOMANÍAS.....	34

# TRACTOR - - MODEL NO. LT1942 (96041031500), PRODUCT NO. 960 41 03-15 SCHEMATIC

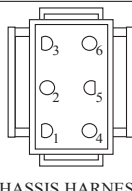
SCH10



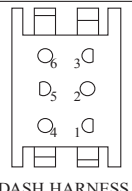
IGNITION SWITCH

POSITION	CIRCUIT	"MAKE"
OFF	M+G+A1	
RUN/OVERRIDE	B+A1	
RUN	B+A1	L+A2
START	B + S + A1	

03107



CHASSIS HARNESS CONNECTOR (MATING SIDE)



DASH HARNESS CONNECTOR (MATING SIDE)

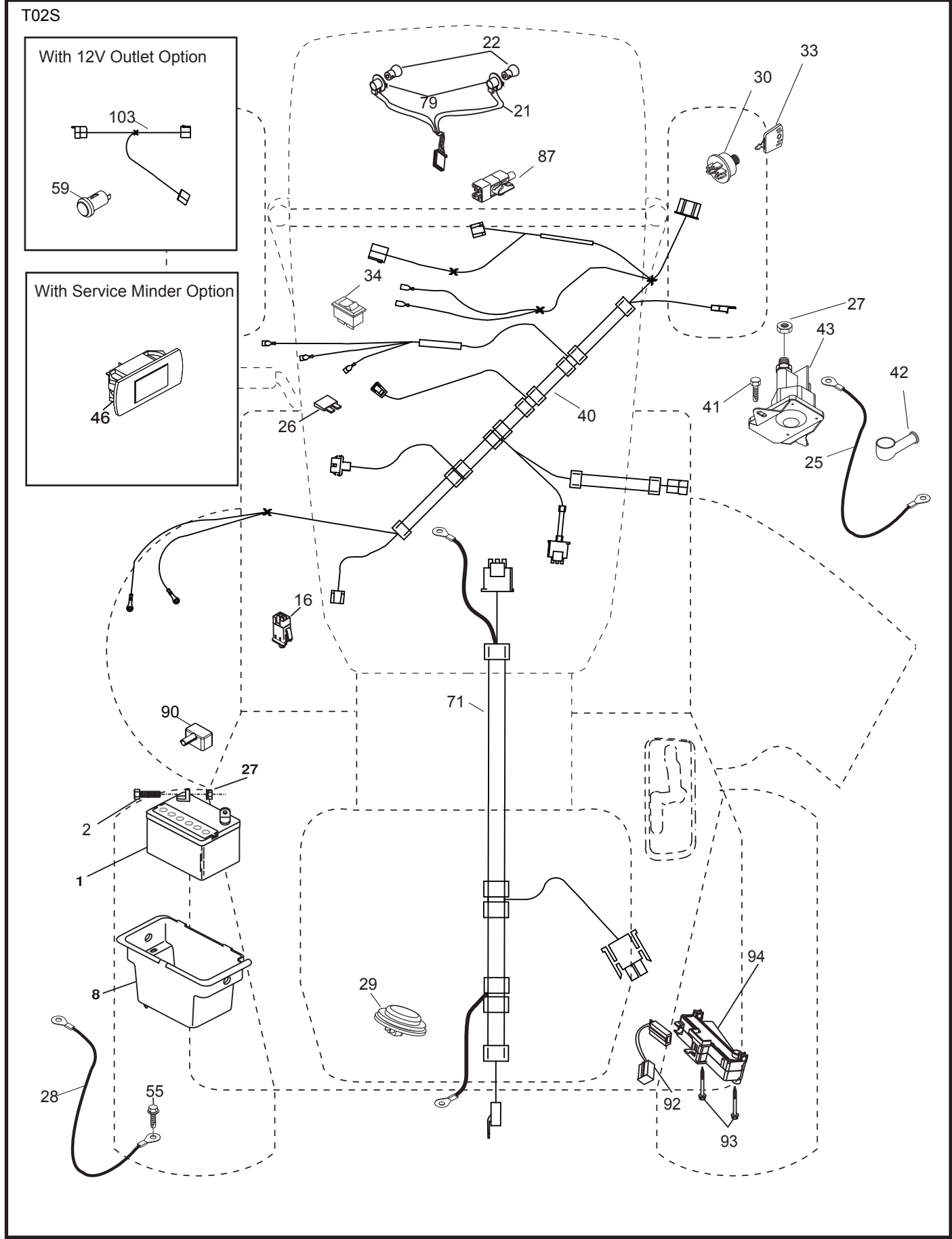
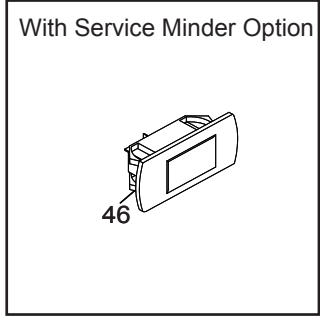
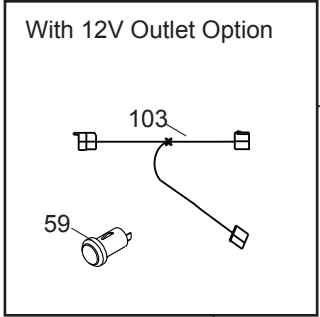
WIRING INSULATED CLIPS  
NOTE: IF WIRING INSULATED CLIPS WERE REMOVED FOR SERVICING OF UNIT, THEY SHOULD BE RE-INSTALLED TO PROPERLY SECURE YOUR WIRING.

●  
NON-REMOVABLE CONNECTIONS

○  
REMOVABLE CONNECTIONS

**TRACTOR - - MODEL NO. LT1942 (96041031500), PRODUCT NO. 960 41 03-15  
ELECTRICAL**

T02S

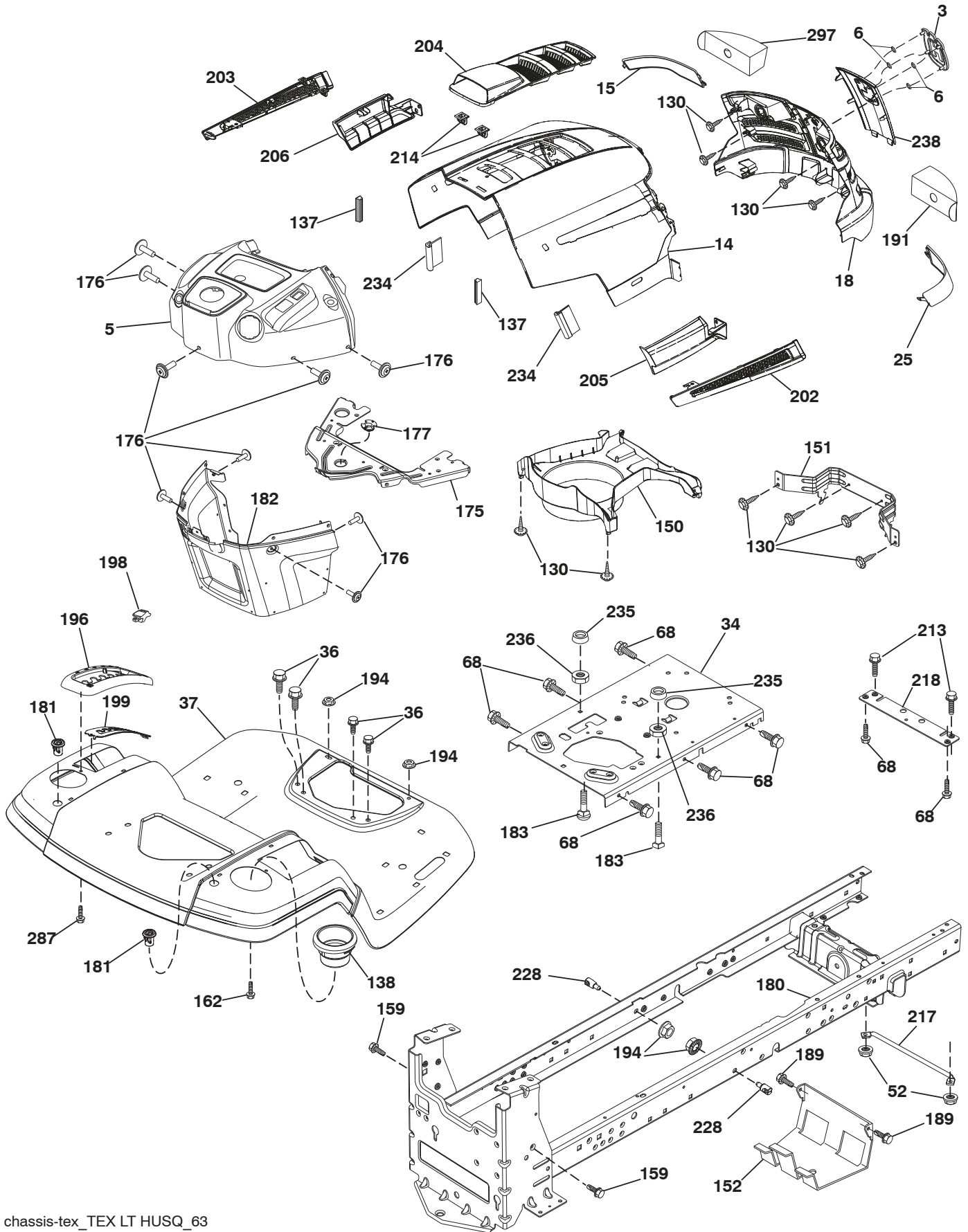


**TRACTOR - - MODEL NO. LT1942 (96041031500), PRODUCT NO. 960 41 03-15  
ELECTRICAL**

<b>KEY NO.</b>	<b>PART NO.</b>	<b>DESCRIPTION</b>
1	532 16 34-65	Battery
2	874 76 04-12	Bolt Hex Head 1/4-20 x 3/4
8	532 19 32-28	Box Battery
16	532 17 61-38	Switch Interlock Push-In
21	532 40 02-52	Harness Socket Light w/4152J
22	532 00 41-52	Bulb Light
25	532 41 28-94	Cable Starter
26	532 17 51-58	Fuse
27	873 51 04-00	Nut Keps Hex 1/4-20 unc
28	532 19 88-85	Cable, Ground
29	532 40 15-45	Switch, Seat
30	532 19 33-50	Switch, Ign
33	532 41 19-33	Key/Chain
34	532 11 07-12	Switch Light / Reset
40	532 40 10-98	Harness Ign. Dash
41	817 72 04-08	Screw Thd Cut 1/4-20 x 1/2
42	532 13 15-63	Cover Square Terminal
43	532 19 25-07	Solenoid
46	532 40 17-63	Gauge Hourmeter
55	817 06 05-12	Screw Thdrol 5/16-18 x 3/4
71	532 40 04-49	Harness Chassis
79	532 17 52-42	Socket Asm Bulb
87	532 19 78-02	Switch Interlock Clutch Cable
90	532 43 53-95	Cover, Terminal
92	532 19 66-15	Harness Pigtail Reverse Switch
93	532 19 25-40	Screw Plastite 10-14 x 2.0
94	532 19 18-34	Module Reverse ROS

**NOTE:** All component dimensions given in U.S. inches  
1 inch = 25.4 mm

**TRACTOR - - MODEL NO. LT1942 (96041031500), PRODUCT NO. 960 41 03-15**  
**CHASSIS AND ENCLOSURES**



chassis-tex\_TEX LT HUSQ\_63

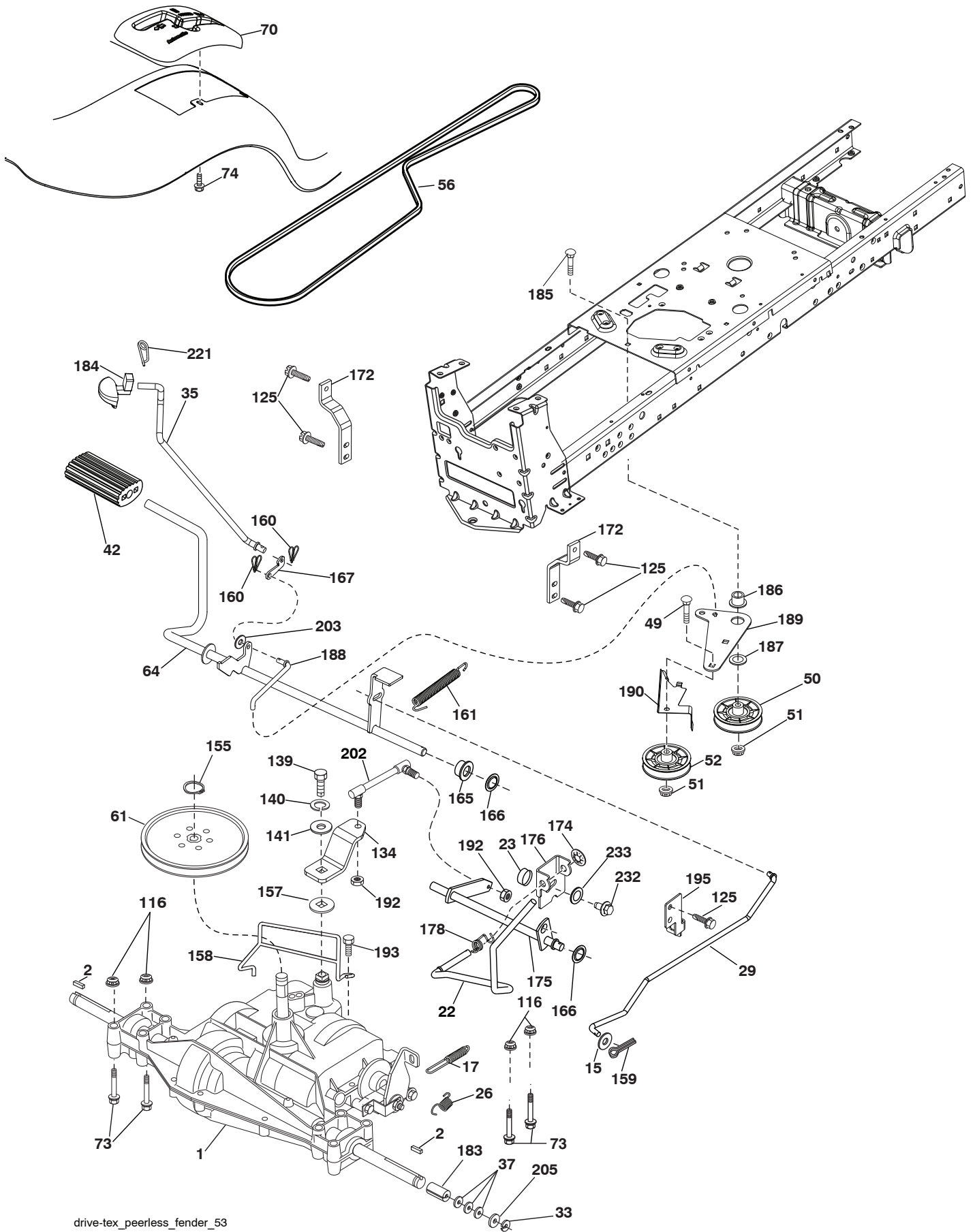
**TRACTOR - - MODEL NO. LT1942 (96041031500), PRODUCT NO. 960 41 03-15  
CHASSIS AND ENCLOSURES**

<b>KEY NO.</b>	<b>PART NO.</b>	<b>DESCRIPTION</b>	<b>KEY NO.</b>	<b>PART NO.</b>	<b>DESCRIPTION</b>
3	581 05 63-01	Logo	189	817 00 05-12	Screw 5/16-18 x 3/4
5	532 43 89-64	Dash	191	532 41 65-01	Insert Reflective RH
6	532 40 48-83	Clip Tinnerman	194	873 90 05-00	Nut Lock Hex Flange 5/16-18
14	532 44 12-67	Hood	196	532 44 86-43	Console Deck Lift
15	532 44 14-28	Lens LH	198	532 44 15-52	Indicator Deck
18	532 44 13-68	Grille	199	532 41 34-85	Plate Deck Lift Husqvarna LT
25	532 44 14-27	Lens RH	202	532 44 13-42	Vent Side Hood RH
34	532 44 72-53	Plate Engine	203	532 44 13-43	Vent Side Hood LH
36	817 06 05-12	Screw 5/16-18 x 3/4	204	532 44 13-75	Vent Top Hood
37	532 44 12-66	Fender	205	532 44 13-44	Skirt Side RH
52	873 68 05-00	Nut Lock 5/16-18	206	532 43 13-45	Skirt Side LH
68	817 49 05-08	Screw Thdrol 5/16-18 x 1/2	213	874 76 05-12	Bolt Hex 5/16-18 unc x 3/4
130	532 41 63-58	Screw#10 x 0.750 BOS Thread	214	532 19 91-45	Clip Retainer
137	532 40 75-90	Bumper Dash	217	532 40 91-67	Rod Pivot Hood
138	532 43 97-47	Cup Holder	218	532 19 63-95	X-Piece Hood Stop
150	532 40 75-37	Air Duct	228	532 19 51-61	Stud Fastener
151	532 40 78-07	Bracket Pivot	234	532 40 47-42	Bumper Hood
152	532 19 95-35	Shield Browning	235	532 40 61-29	Spacer Fender
159	817 00 06-12	Screw Hexwsh Thdrol 3/8-16 x 3/4	236	873 93 05-00	Nut Centerlock 5/16-18 unc
162	532 14 24-32	Screw	238	532 44 13-74	Trim
175	532 19 94-72	Crossmember	287	817 60 04-06	Screw Hex WASHEAD 1/4-20 x 3/8
176	532 40 07-76	Screw 10-24 x 5/8	297	532 40 66-65	Insert Reflective LH
177	532 19 52-28	Bushing Steering			
180	532 19 54-57	Chassis			
181	532 43 97-46	Bushing Cargo			
182	532 40 71-76	Dash Lower			
183	874 78 05-20	Bolt 5/16-18 unc x 1-1/4			

**NOTE:** All component dimensions given in U.S. inches  
1 inch = 25.4 mm



**TRACTOR - - MODEL NO. LT1942 (96041031500), PRODUCT NO. 960 41 03-15  
DRIVE**



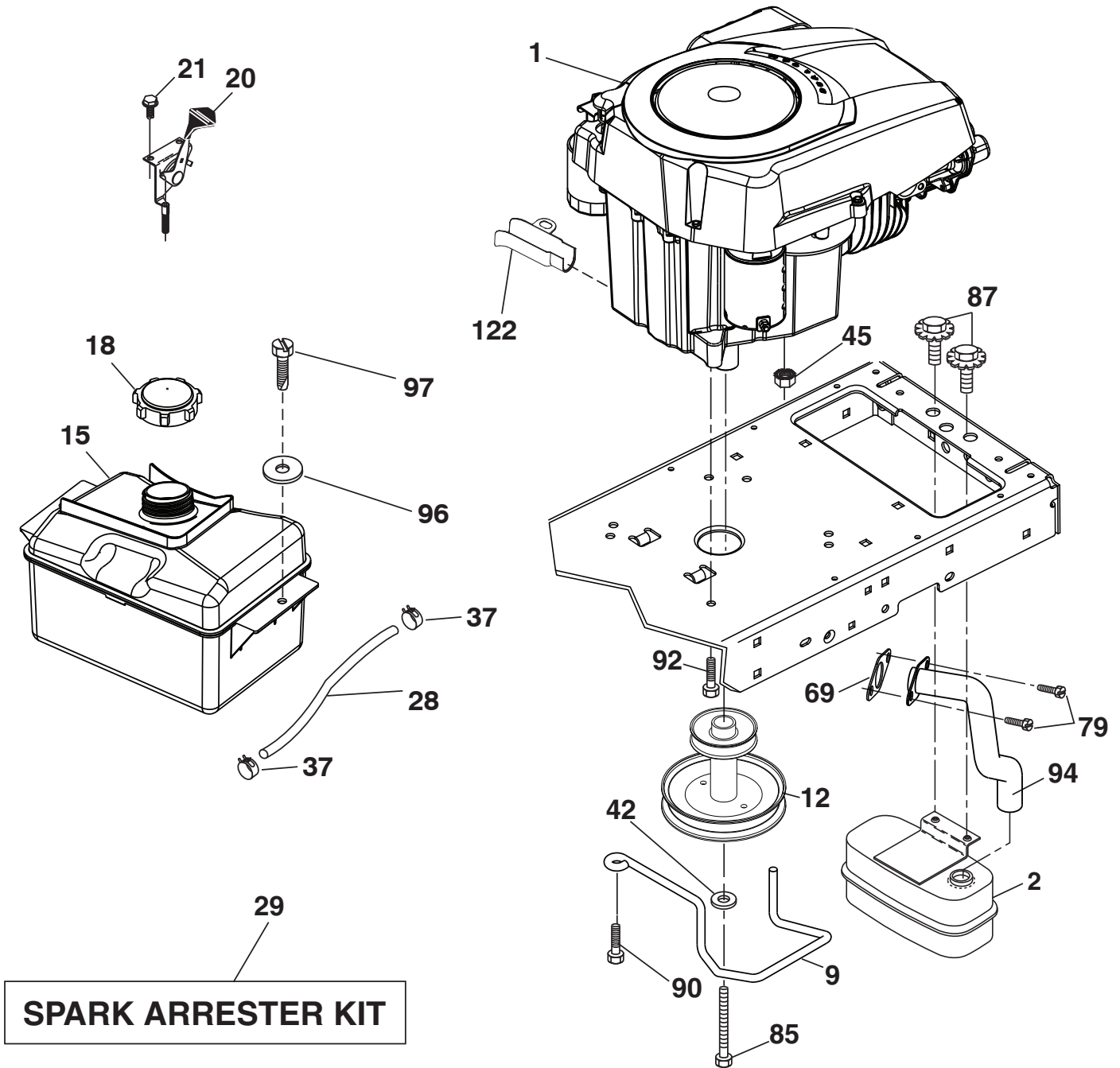
drive-tex\_peerless\_fender\_53

**TRACTOR - - MODEL NO. LT1942 (96041031500), PRODUCT NO. 960 41 03-15  
DRIVE**

<b>KEY NO.</b>	<b>PART NO.</b>	<b>DESCRIPTION</b>	<b>KEY NO.</b>	<b>PART NO.</b>	<b>DESCRIPTION</b>
1	---	Transaxle, Peerless 206-565 (197941)(Order parts from transaxle manufacturer.)	158	532 19 43-52	Belt Keeper
2	532 12 35-83	Key Square	159	876 02 04-12	Pin Cotter 1/8 x 3/4
15	819 13 13-16	Washer 13/32 x 13/16 x 16 Ga.	160	532 16 94-84	Retainer Clip
17	532 19 72-97	Spring, Brake	161	532 10 57-09	Spring, Return, Clutch
22	532 19 76-60	Rod Shift	165	532 19 62-12	Busing Shaft Brake Hand Control
23	532 12 12-74	Knob	166	532 42 91-64	Nut Push .625
26	532 19 74-55	Spring Brake Return	167	532 40 52-57	Latch Brake Parking
29	532 19 72-67	Rod, Brake	172	532 19 76-57	Strap Torque LH
33	812 00 00-01	Ring E	174	532 19 72-89	Nut Push
35	532 40 10-31	Rod, Brake, Park	175	532 19 62-24	Shaft Asm. Shift
37	532 12 17-49	Washer 25/32 x 1-1/4 x 16 Ga.	176	532 19 62-14	Arm Clevis Rod Shift
42	532 12 48-72	Cover, Foot Pedal	178	532 19 74-56	Spring Shift
49	872 11 06-14	Bolt	183	532 13 70-57	Spacer Axle
50	532 19 43-27	Pulley Idler Flat	184	532 44 14-07	Handle Parking Brake
51	873 90 06-00	Lock Nut 3/8-16	185	872 11 06-22	Bolt 3/8-16 unc x 2-3/4 Gr. 5
52	532 19 43-26	Idler V-Groove	186	532 19 43-21	Spacer Retainer
56	532 19 43-46	V-Belt, Drive	187	819 13 32-10	Washer
61	532 12 36-66	Pulley Transaxle	188	532 19 43-23	Link Clutch Ground Drive
64	532 19 62-00	Shaft Asm. Pedal Brake Control	189	532 19 43-17	Bellcrank Ground Drive
70	581 45 43-01	Console Shift	190	532 19 43-18	Keeper Bellcrank Ground Drive
73	874 49 05-40	Bolt Hex Flghd 5/16-18 Gr. 5	192	532 15 03-60	Nut Lock Center 1/4-28 Fnthd
74	532 14 24-32	Screw	193	817 06 05-12	Screw 5/16-18 x 3/4
116	873 90 05-00	Nut Lock Hex Flange 5/16-18	195	532 19 73-32	Bracket Brake Rod
125	817 00 05-12	Screw 5/16-18 x 3/4	202	532 16 62-31	Link Transaxle
134	532 19 76-58	Asm Shift	203	819 11 11-16	Washer 11/32 x 11/16 x 16 Ga.
139	874 55 04-12	Bolt 1/4-28 unfr Gr. 8 w/Patch	205	532 12 17-48	Washer 25/32 x 1-5/8 16 Ga.
140	810 04 04-00	Washer Lock Hvy Helical 1/4	221	532 40 31-87	Retainer Spring Clip Handle
141	819 09 12-10	Washer 9/32 x 3/4 x 10 Ga.	232	874 78 07-16	Bolt Hex 7/16-14 x 1 Gr. 5
155	812 00 00-28	Ring Retainer	233	532 40 52-96	Washer Serrated
157	532 10 57-01	Washer Plate Shift			

**NOTE:** All component dimensions given in U.S. inches  
1 inch = 25.4 mm

TRACTOR - - MODEL NO. LT1942 (96041031500), PRODUCT NO. 960 41 03-15  
ENGINE



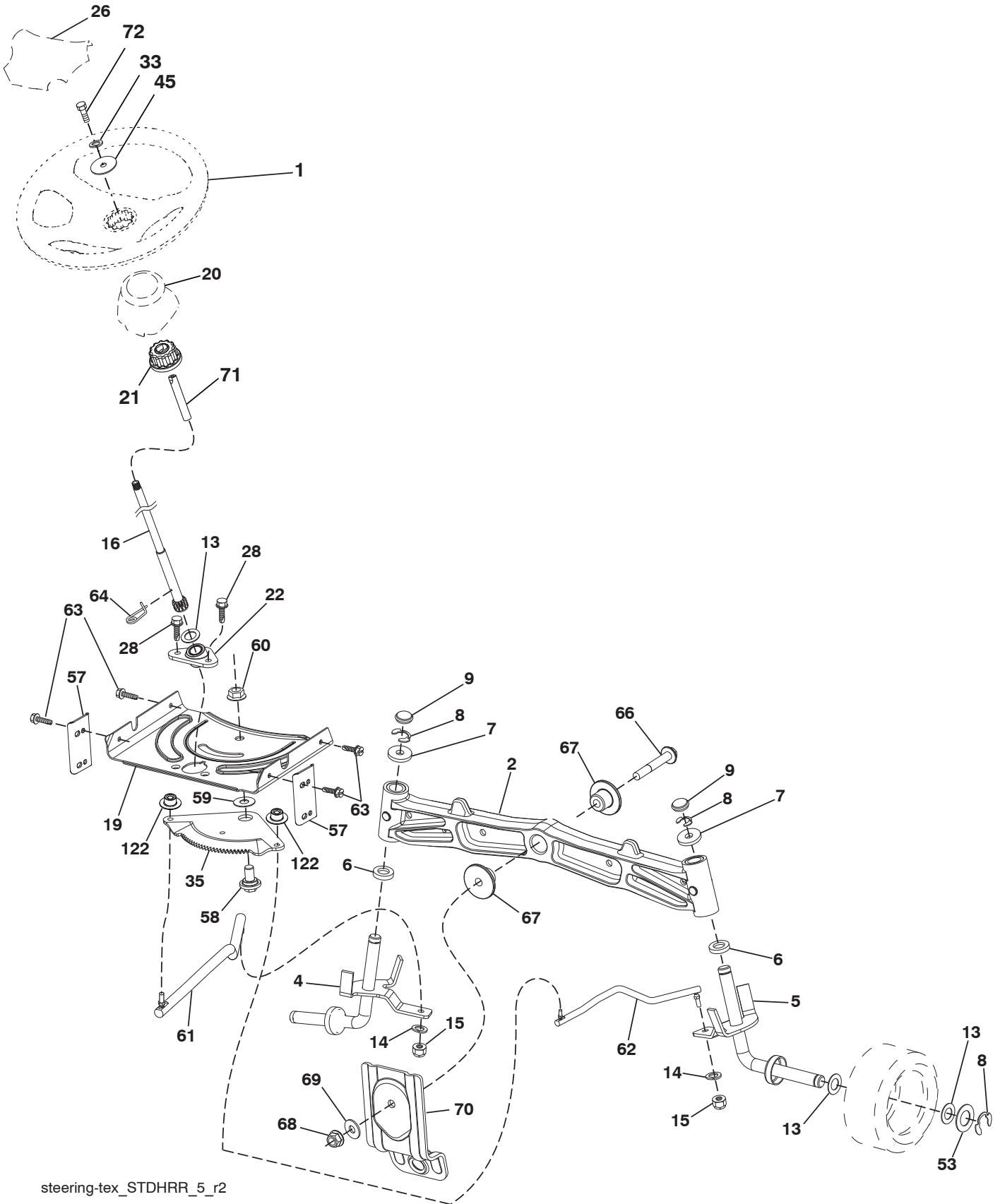
engine-tex\_kohl\_23\_r3

**TRACTOR - - MODEL NO. LT1942 (96041031500), PRODUCT NO. 960 41 03-15  
ENGINE**

<b>KEY NO.</b>	<b>PART NO.</b>	<b>DESCRIPTION</b>
1	-----	Engine Kohler Model No. SV590-3230 (445326) (Order parts from engine manufacturer.)
2	532 18 86-55	Muffler
9	532 19 43-19	Keeper Belt Engine
12	532 40 19-85	Pulley Engine
15	532 40 75-45	Tank Fuel
18	532 43 02-20	Cap Fuel
20	532 18 38-97	Control Throttle
21	532 41 63-58	Screw #10 x 0.750 BOS Thread
28	532 40 11-37	Fuel Line
29	532 13 71-80	Spark Arrester Kit
37	532 12 34-87	Clamp Hose
42	810 04 07-00	Washer Lock 7/16
45	873 51 04-00	Nut Keps Hex 1/4-20 unc
69	532 18 59-09	Gasket
79	532 19 23-34	Screw Socket HD 5/16-18 x .75
85	532 17 39-37	Bolt Hex 7/16-20 x 4 Gr. 5
87	532 19 82-39	Bolt 5/16-18 unc x 1 w/Sems
90	817 00 06-16	Screw 3/8-16 x 1
92	817 12 06-16	Screw 3/8-16 x 1
94	532 18 86-54	Tube Exhaust
96	819 09 14-16	Washer 9/32 x 7/8 x 16 Gr.
97	817 67 04-12	Screw Hexwsh Thdrol 1/4-20 x 3/4
122	532 42 19-22	Extension Oil Drain

**NOTE:** All component dimensions given in U.S. inches  
1 inch = 25.4 mm  
For engine service and replacement parts, call the toll free number for your engine manufacturer listed below:  
Kohler Co. 1-800-544-2444

**TRACTOR - - MODEL NO. LT1942 (96041031500), PRODUCT NO. 960 41 03-15**  
**STEERING ASSEMBLY**



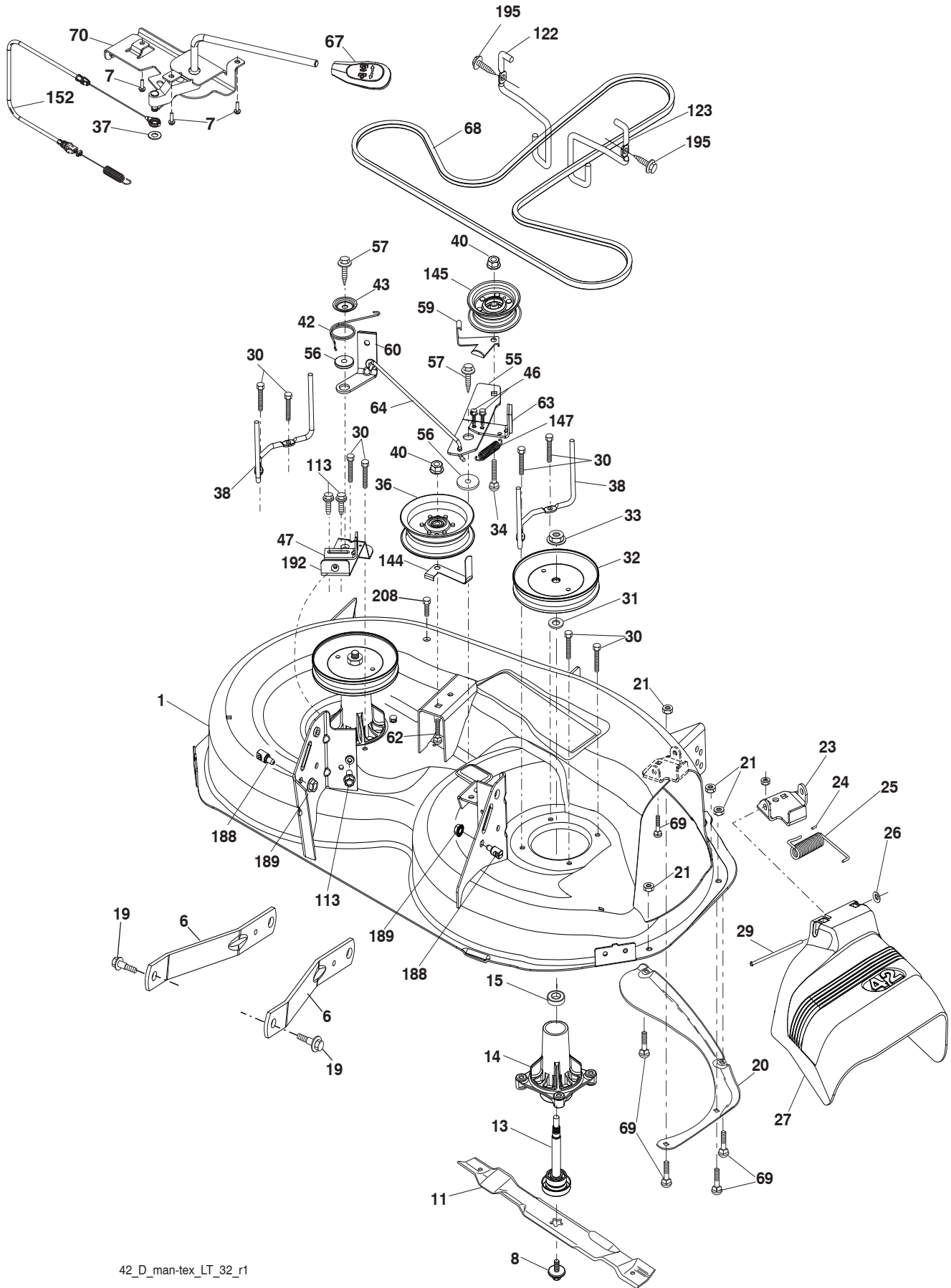
steering-tex\_STDHRR\_5\_r2

**TRACTOR - - MODEL NO. LT1942 (96041031500), PRODUCT NO. 960 41 03-15  
STEERING ASSEMBLY**

<b>KEY NO.</b>	<b>PART NO.</b>	<b>DESCRIPTION</b>
1	532 43 97-40	Wheel, Steering Husq SR
2	532 19 59-68	Axle Asm., Front
4	532 40 30-87	Spindle Asm., LH
5	532 40 30-88	Spindle Asm., RH
6	532 12 49-31	Washer, Thrust Hardened
7	532 12 17-48	Washer 25/32 x 1-5/8 x 16 Ga.
8	812 00 03-15	Ring, Klip #T5304-75
9	532 12 12-32	Cap, Spindle
13	532 12 17-49	Washer 25/32 x 1-1/4 x 16 Ga.
14	810 04 06-00	Washer, Lock Hvy Hlcl Spr 3/8
15	873 54 06-00	Nut, Crown Lock 3/8-24 unf
16	532 42 93-74	Shaft Steering
19	532 19 47-29	Plate Steering
20	532 44 14-25	Boot, Steering
21	532 18 67-37	Adapter, Wheel Steering
22	532 42 05-37	Steering Support
26	532 43 97-43	Insert, Wheel Steering Husq
28	817 00 06-12	Screw 3/8-16 x 3/4
33	810 04 05-00	Washer Lock 5/16
35	532 19 47-32	Gear, Sector Plate
45	819 11 38-12	Washer 11/32 ID x 2-3/8 x 12 Ga.
53	532 18 89-67	Washer Hardened .793 x 1.637 x .060
57	532 40 74-65	Bracket Upstop
58	532 19 47-47	Bolt Shoulder Sector Pivot CFM
59	532 19 47-48	Washer Thrust Sector Steering
60	873 97 10-00	Nut Flange Lock 5/8-11
61	532 19 47-40	Draglink LH
62	532 19 47-41	Draglink, RH
63	817 00 05-12	Screw 5/16-18 x 3/4
64	532 19 98-49	Retainer Clip Spring Steering
66	871 02 07-48	Bolt Hex Fghd 7/16-14 x 3 Serr
67	532 19 47-37	Bushing PM Front Axle
68	873 90 07-00	Nut Lock Flange 7/16-14 Gr. 5
69	532 19 91-62	Washer 1.5 x .505 x .118
70	532 19 61-97	Bracket Deck Susp. Front
71	532 19 07-52	Shaft Ext Steering
72	532 42 89-82	Bolt Fin. Hx. 5/16-18 x 4
122	532 44 49-62	Cap Gear Sector

**NOTE:** All component dimensions given in U.S. inches  
1 inch = 25.4 mm

# TRACTOR - - MODEL NO. LT1942 (96041031500), PRODUCT NO. 960 41 03-15 MOWER DECK



42\_D\_man-tex\_LT\_32\_r1



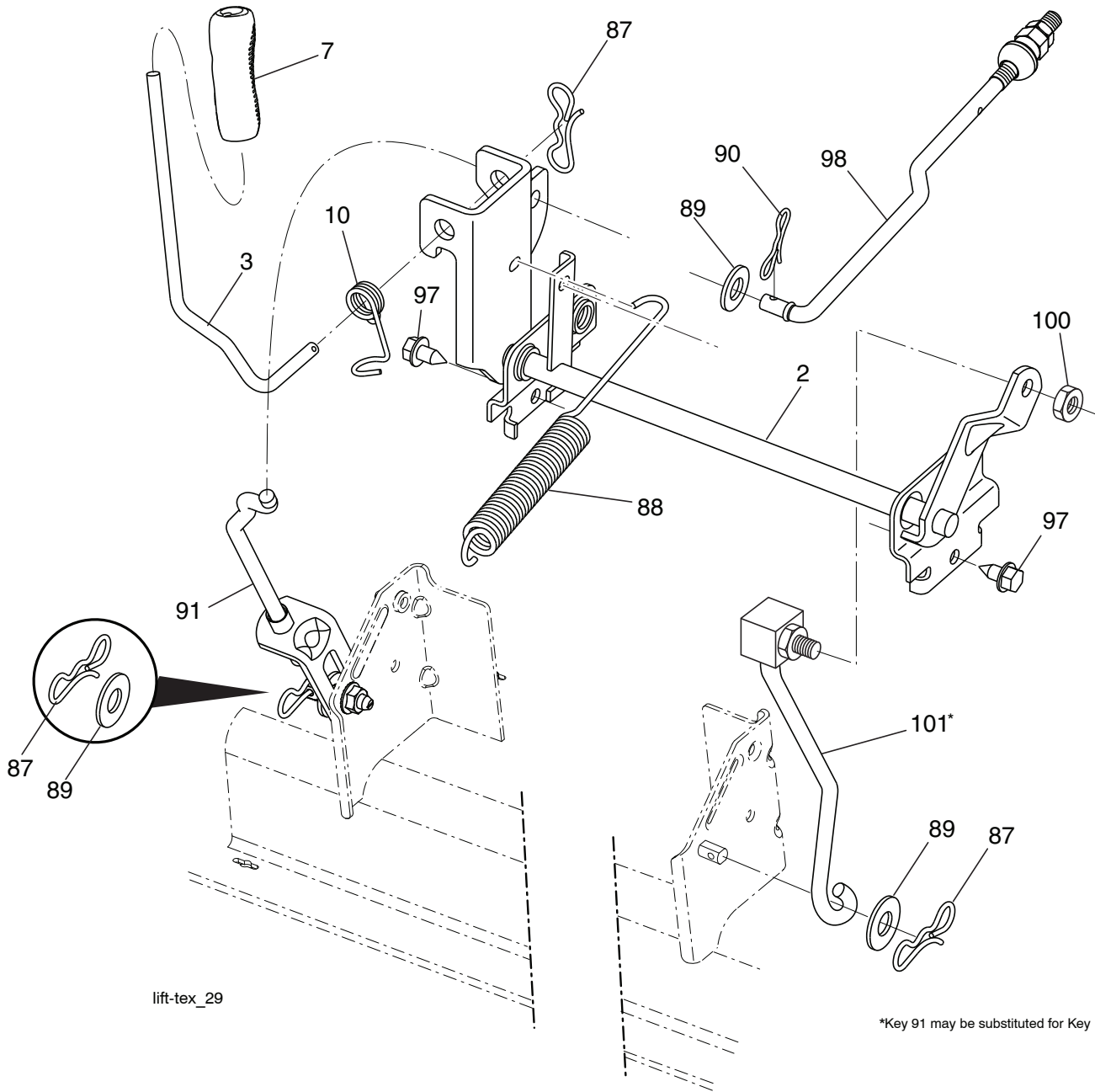
**TRACTOR - - MODEL NO. LT1942 (96041031500), PRODUCT NO. 960 41 03-15  
MOWER DECK**

KEY NO.	PART NO.	DESCRIPTION	KEY NO.	PART NO.	DESCRIPTION
1	532 19 99-11	Mower Housing	57	817 00 06-16	Screw 3/8-16 x 1
6	532 19 51-86	Arm Suspension	59	532 14 10-43	Guard, Tuv Idler
7	532 41 63-58	Screw #10 x 0.750 BOS Thread	60	532 19 72-61	Arm Brake Mower
8	532 19 30-03	Bolt/Washer Asm 7/16-20 unf	62	872 11 06-16	Bolt Rd Hd Sq Nk 3/8-16 unc x 2
11	532 13 89-71	Blade, 42" Hi-Lift (For bagging or discharge)	63	532 19 94-77	Arm Brake Mower
13	532 19 28-72	Shaft Assembly, Mandrel	64	532 19 97-90	Link Brake
14	532 18 72-81	Housing, Mandrel	67	532 40 30-12	Handle Clutch Cable
15	532 11 04-85	Bearing, Ball, Mandrel	68	532 42 96-36	V-Belt
19	532 19 65-39	Bolt, Shoulder	69	872 14 05-05	Bolt
20	532 15 97-70	Baffle, Vortex	70	532 40 12-46	Clutch Asm Manual
21	873 68 05-00	Nut, Crownlock 5/16-18 unc	113	817 00 05-10	Screw 5/16-18
23	532 19 25-57	Bracket, Deflector	122	532 19 72-58	Keeper Belt Engine LH
24	532 10 53-04	Cap, Sleeve	123	532 19 72-59	Keeper Belt Engine RH
25	532 19 70-26	Spring, Torsion, Deflector	144	532 19 92-04	Keeper Belt
26	532 11 04-52	Nut, Push	145	532 19 31-97	Pulley, Idler, Flat
27	532 40 30-04	Shield, Deflector	147	532 40 19-71	Spring Return
29	532 13 14-91	Rod, Hinge	152	532 43 51-11	Manual Clutch Cable
30	532 17 39-84	Screw Thdrol Rolling Wsh Hd	188	532 19 51-61	Stud Fastener
31	532 18 76-90	Washer, Spacer	189	873 90 05-00	Nut Lock Hex Flange
32	532 19 74-73	Pulley, Mandrel	192	532 19 72-60	Bracket Brake Stand LH
33	532 40 02-34	Nut, Toplock, Flanged	195	817 00 06-12	Screw 3/8-16 x 3/4
34	872 11 06-12	Bolt Carr Sh. 3/8-16 x 1-1/2 Gr. 5	208	817 67 06-08	Screw 3/8-16 x 1/2
36	532 19 73-79	Pulley Idler	--	532 19 28-70	Mandrel Assembly (Includes housing, shaft assembly, and bearing only - pulley/nut/washer and blade bolt/washers not included)
37	819 13 13-16	Washer	--	532 41 52-41	Replacement Mower, Complete
38	532 43 25-20	Keeper Belt LH Mandrel			
40	873 90 06-00	Nut, Lock Flg. 3/8-16 unc			
42	532 19 84-10	Spring Torsion Brake			
43	532 19 72-56	Spring Torsion Retainer			
46	532 13 77-29	Screw Thd Roll 1/4-20 x 5/8			
47	532 19 72-50	Bracket Clutch Cable			
55	532 43 71-10	Arm, Idler			
56	532 19 90-92	Spacer, Retainer			

**NOTE:** All component dimensions given in U.S. inches  
1 inch = 25.4 mm



**TRACTOR - - MODEL NO. LT1942 (96041031500), PRODUCT NO. 960 41 03-15  
MOWER LIFT**



lift-tex\_29

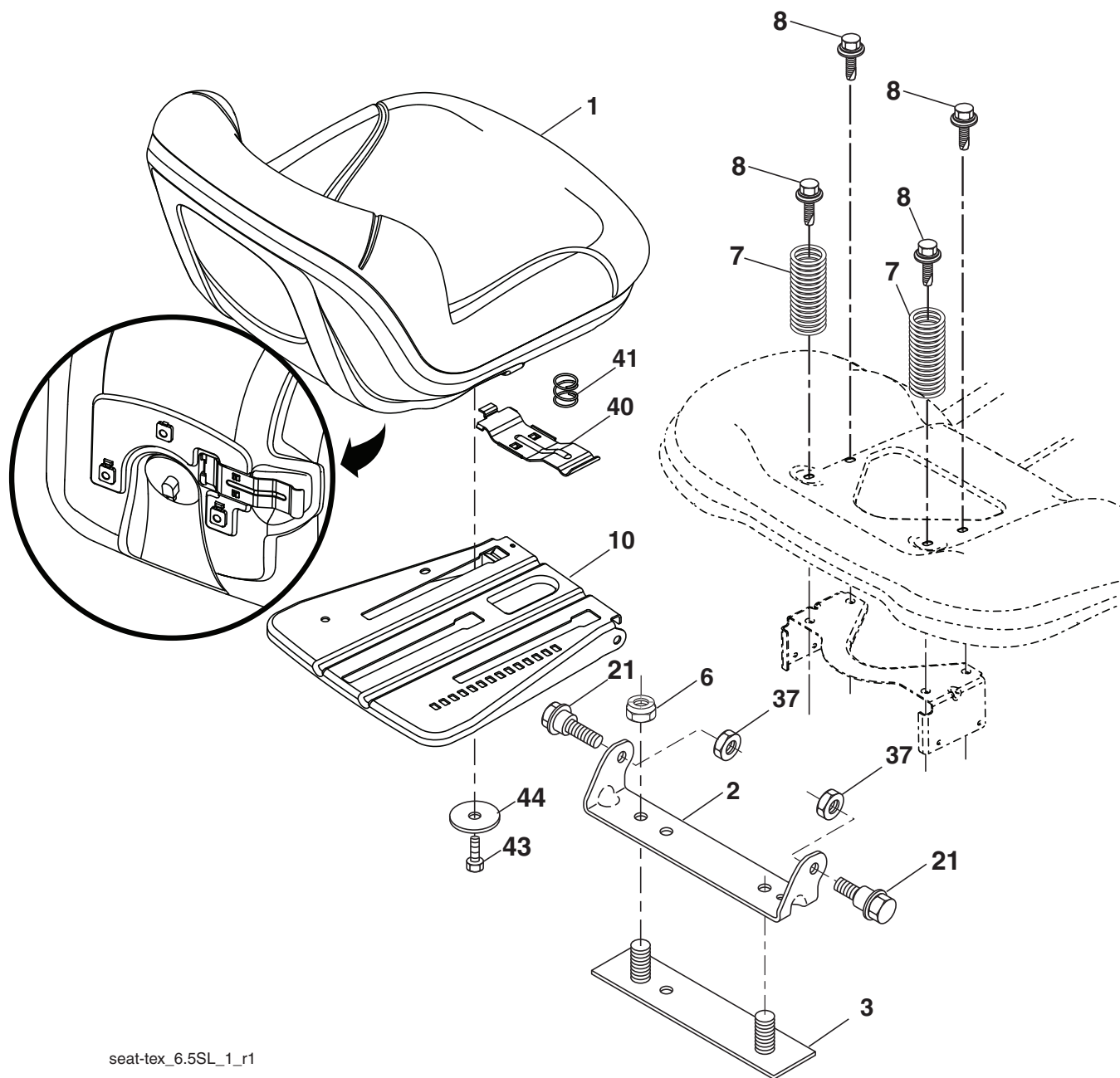
\*Key 91 may be substituted for Key 101

KEY NO.	PART NO.	DESCRIPTION
2	532 42 20-27	Shaft Asm., Cross Lift
3	532 19 52-31	Lever Asm., Lift Rh
7	580 96 23-01	Grip, Lever
10	532 19 63-14	Spring Torsion
87	532 19 42-09	Pin Cotter 7/16 Bow Tie Lock
88	532 41 07-10	Spring Lift Assist
89	819 19 19-12	Washer Clear Zinc
90	532 19 42-08	Pin Cotter 5/16 Bow Tie Lock

KEY NO.	PART NO.	DESCRIPTION
91	532 19 51-81	Link Lift Susp Mower Rear
97	817 00 06-12	Screw Hexwsh Thdr. 3/8-16 x 3/4
98	532 19 52-70	Link Lift Susp. Front Mower
100	873 93 06-00	Nut Hex Jam ASF 7/16-20 unf
101	532 40 70-03	Link Asm. Lift FXD

**NOTE:** All component dimensions given in U.S. inches  
1 inch = 25.4 mm

**TRACTOR - - MODEL NO. LT1942 (96041031500), PRODUCT NO. 960 41 03-15  
SEAT ASSEMBLY**



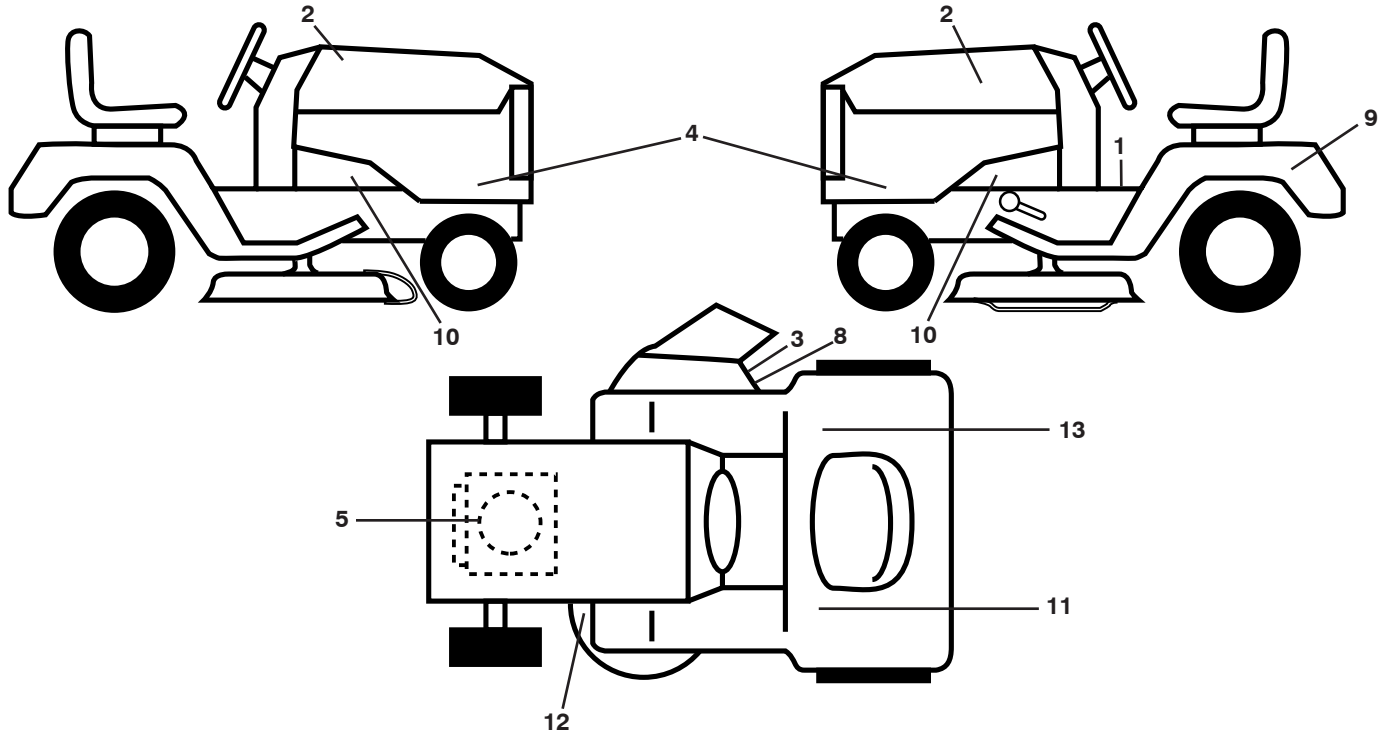
seat-tex\_6.5SL\_1\_r1

KEY NO.	PART NO.	DESCRIPTION
1	532 43 98-19	Seat
2	532 18 01-66	Bracket Pivot Fender
3	532 14 06-75	Strap, Asm Fender
6	873 80 06-00	Nut, Lock w/Ins. 3/8-16 unc
7	532 12 41-81	Spring, Seat Cprsn
8	532 17 18-77	Bolt 5/16-18 unc x 3/4 w/Sems
10	532 19 69-77	Pan, Seat
21	532 17 18-52	Bolt, Shoulder 5/16-18
37	873 80 05-00	Nut, Lock 5/16-18 unc

KEY NO.	PART NO.	DESCRIPTION
40	532 19 76-61	Handle Slide Seat
41	532 19 82-00	Spring Latch
43	874 76 06-12	Bolt Fin Hex 3/8-16 unc x 3/4
44	819 13 38-12	Washer 13/32 x 2-3/8 x 12

**NOTE:** All component dimensions given in U.S. inches  
1 inch = 25.4 mm

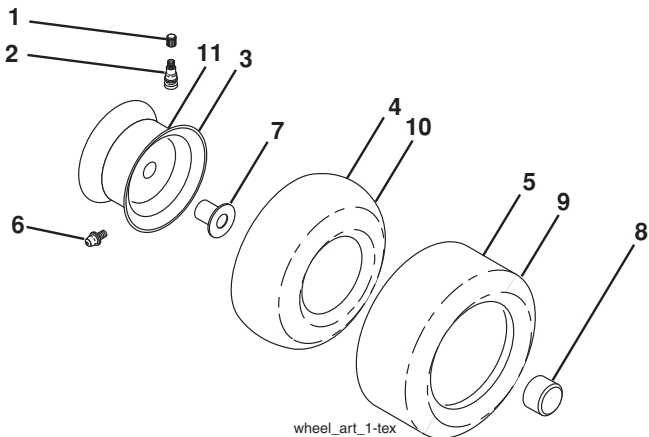
**TRACTOR - - MODEL NO. LT1942 (96041031500), PRODUCT NO. 960 41 03-15  
DECALS**



KEY NO.	PART NO.	DESCRIPTION
1	532 40 03-89	Decal, Operators
2	581 62 73-01	Decal, Emblem
3	532 18 21-66	Decal, Cutfinger
4	581 35 78-01	Decal, Hood Panel
5	532 19 68-41	Decal, Engine
8	532 19 63-57	Decal, Deflect
9	532 14 50-05	Decal, Battery Dnge/Poi
10	532 15 97-36	Decal, Chassis Hot Muffler
11	532 15 97-37	Decal, Brake/Clutch
12	532 16 03-96	Decal, Mower V-Belt Schematic

KEY NO.	PART NO.	DESCRIPTION
13	532 14 08-37	Decal, Saddle
--	532 16 25-98	Decal, Drawbar
--	532 43 96-81	Pad, Footrest, LH
--	532 43 99-66	Pad, Footrest, RH
--	581 35 75-26	Manual Oper. English/Spanish
--	581 35 75-50	Manual Oper. Portuguese
--	581 35 75-40	Manual Parts English/Spanish
--	581 35 75-02	Manual Parts Portuguese

**WHEELS AND TIRES**



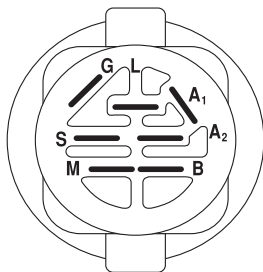
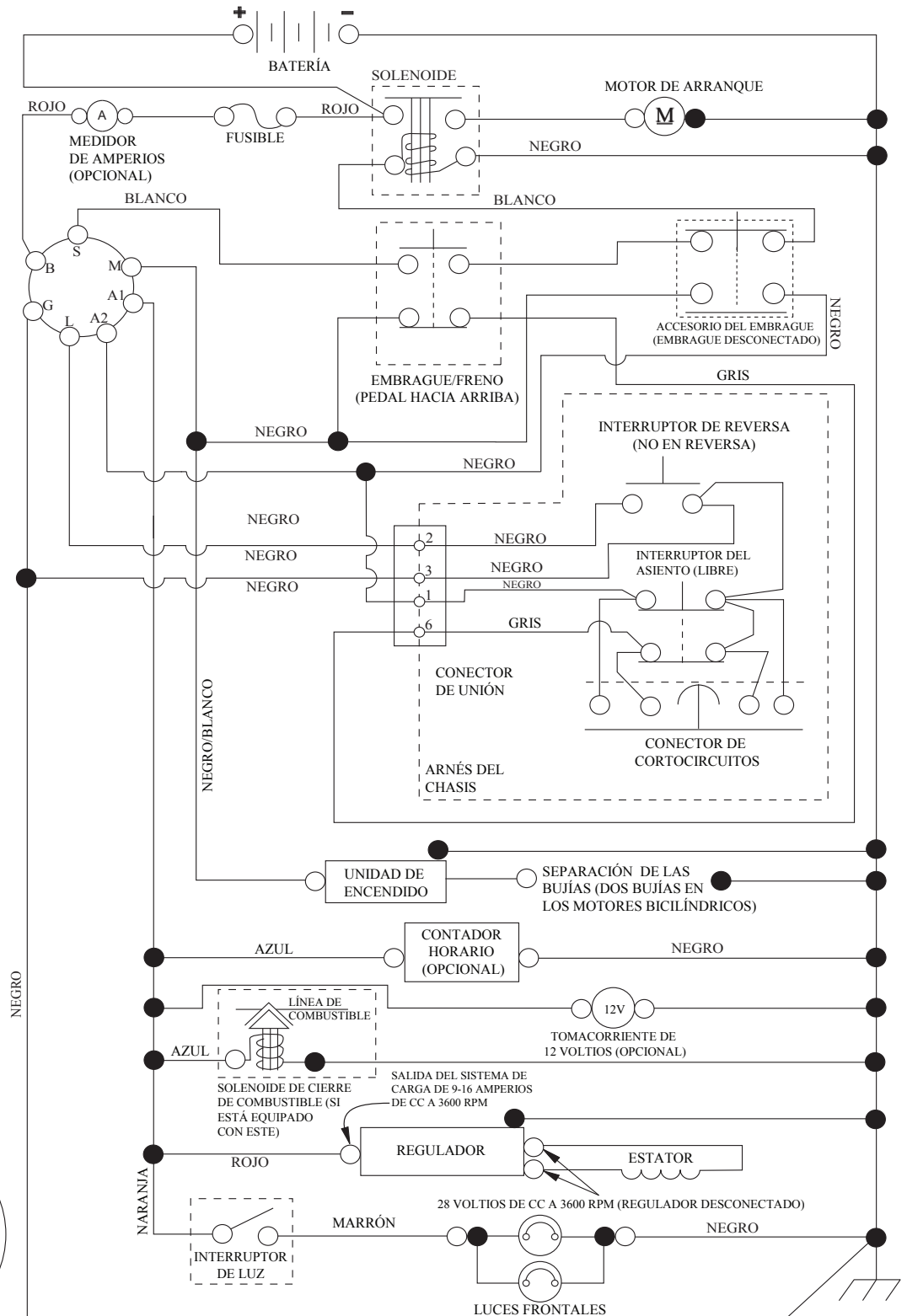
KEY NO.	PART NO.	DESCRIPTION
1	532 05 91-92	Cap Valve Tire
2	532 06 51-39	Stem Valve
3	532 13 83-36	Rim Asm 6" Front
4	532 05 99-04	Tube Front
5	532 10 62-22	Tire F T
6	532 12 49-57	Fitting Grease (Front Wheel Only)
7	532 12 49-59	Bearing Flange (Front Wheel Only)
8	532 17 50-39	Cap Axle Blk 1 50 x 1 00
9	532 13 84-68	Tire R
10	532 12 49-26	Tube Rear
11	532 13 83-37	Rim Asm 8" Rear
--	532 14 43-34	Sealant, Tire (10 oz. Tube)

**NOTE:** All component dimensions given in U.S. inches  
1 inch = 25.4 mm

# TRACTOR - MODELO NO. LT1942 (96041031500), PRODUCTO NO. 960 41 03-15

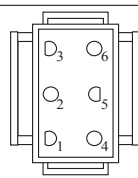
## DIAGRAMA

SCH10-s

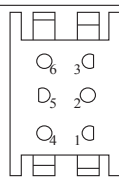


INTERRUPTOR DE ENCENDIDO

POSICIÓN	CIRCUITO «MARCA»
APAGADO	M+G+A1
PONER EN FUNCIONAMIENTO/ANULAR	B+A1
PONER EN FUNCIONAMIENTO	B+A1 L+A2
ARRANCAR	B + S + A1



CONEXIÓN DEL ARNÉS DEL CHASIS (LATERAL QUE COINCIDA)



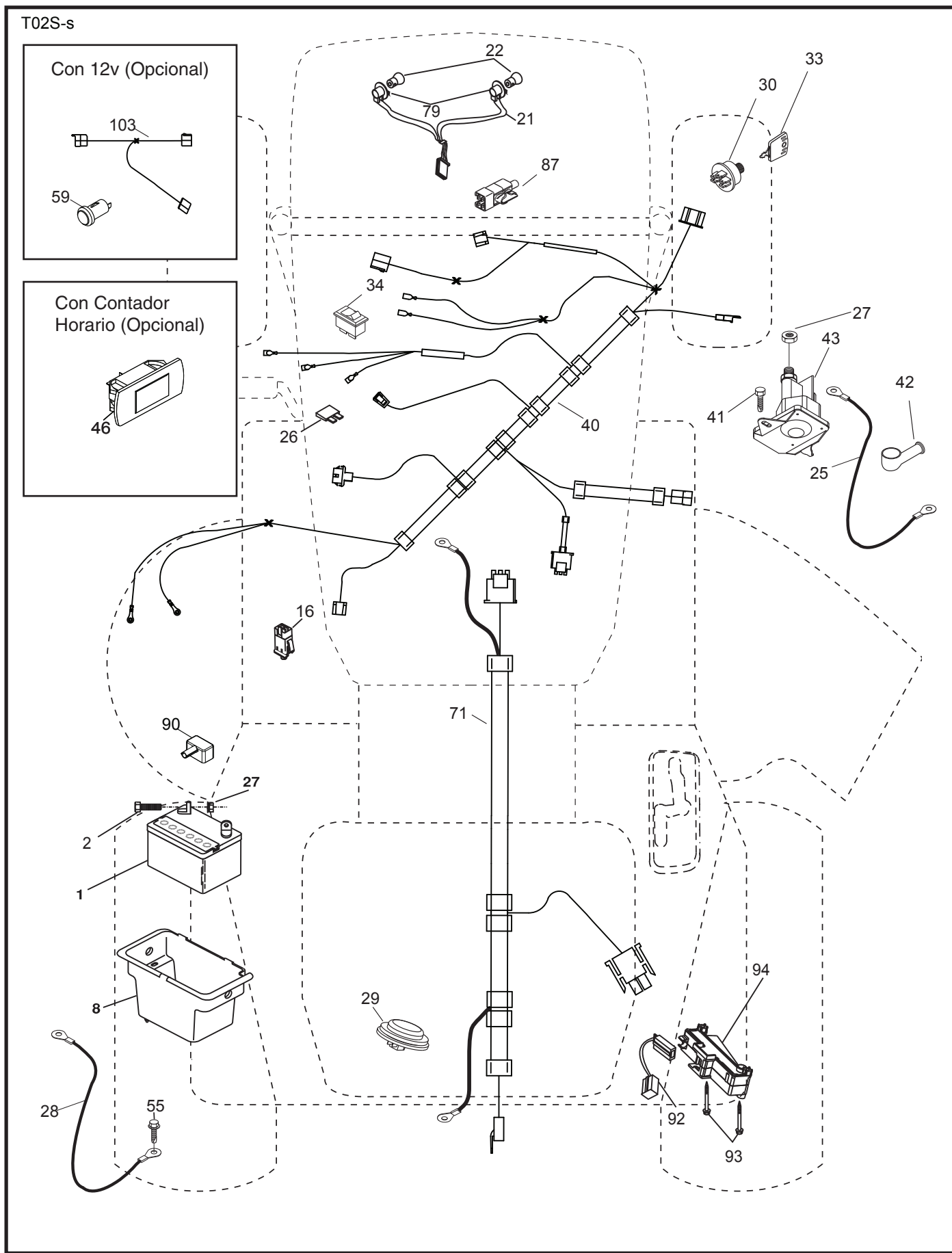
CONEXIÓN PARA EL ARNÉS DEL TABLERO (LATERAL QUE COINCIDA)

NOTA SOBRE LAS ABRAZADERAS DE AISLAMIENTO DEL CABLEADO: SI SE QUITAN LAS ABRAZADERAS DE AISLAMIENTO DEL CABLEADO PARA HACER EL MANTENIMIENTO DE LA UNIDAD, SE LAS DEBERÁ INSTALAR NUEVAMENTE PARA PROTEGER EL CABLEADO ADECUADAMENTE.

● CONEXIONES NO DESMONTABLES

○ CONEXIONES DESMONTABLES

# TRACTOR - MODELO NO. LT1942 (96041031500), PRODUCTO NO. 960 41 03-15 DIAGRAMA ELÉCTRICO

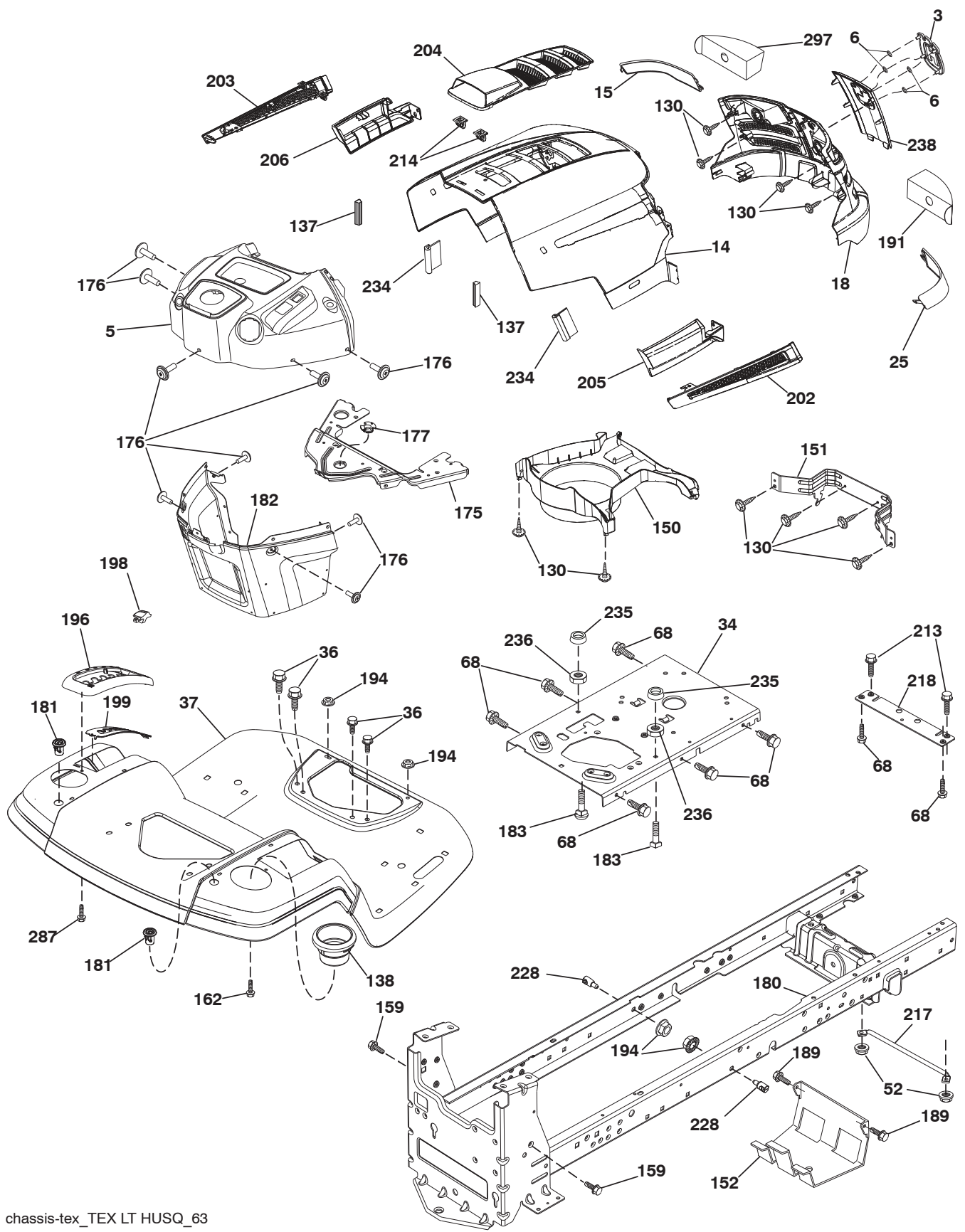


**TRACTOR - MODELO NO. LT1942 (96041031500), PRODUCTO NO. 960 41 03-15**  
**DIAGRAMA ELÉCTRICO**

<b>CÓDIGO No.</b>	<b>PIEZA No.</b>	<b>DESCRIPCIÓN</b>
1	532 16 34-65	Batería
2	874 76 04-12	Perno de cabeza hexagonal de 1/4-20 x 3/4
8	532 19 32-28	Caja de la batería
16	532 17 61-38	Interruptor corta corriente a presión
21	532 40 02-52	Cableado del enchufe para la luz
22	532 00 41-52	Bombilla de luz
25	532 41 28-94	Cable
26	532 17 51-58	Fusible
27	873 51 04-00	Tuerca hexagonal Keps de 1/4-20 unc
28	532 19 88-85	Cable a tierra
29	532 40 15-45	Interruptor del asiento
30	532 19 33-50	Interruptor de encendido
33	532 41 19-33	Llave/cadena
34	532 11 07-12	Interruptor de luz/de restauración
40	532 40 10-98	Cableado del tablero de encendido
41	817 72 04-08	Tornillo
42	532 13 15-63	Cubierta de la terminall
43	532 19 25-07	Solenoido
46	532 40 17-63	Indicador SRVCMNDR HRMTR
55	817 06 05-12	Tornillo de 5/16-18 x 3/4
71	532 44 15-44	Cableado de encendido
79	532 17 52-42	Enchufe de cierre por torsión del ensamble de la bombilla
87	532 19 78-02	Interruptor
90	532 43 53-95	Tapa de los bornes de la batería
92	532 19 66-15	Cableado de interruptor retroceder
93	532 19 25-40	Tornillo 10-14 x 2.00
94	532 19 18-34	Módulo retroceder ROS

**NOTA:** Las dimensiones de todos los componentes están expresadas en pulgadas americanas.  
 1 pulgada = 25,4 mm

**TRACTOR - MODELO NO. LT1942 (96041031500), PRODUCTO NO. 960 41 03-15**  
**CHASIS**



chassis-tex\_TEX LT HUSQ\_63

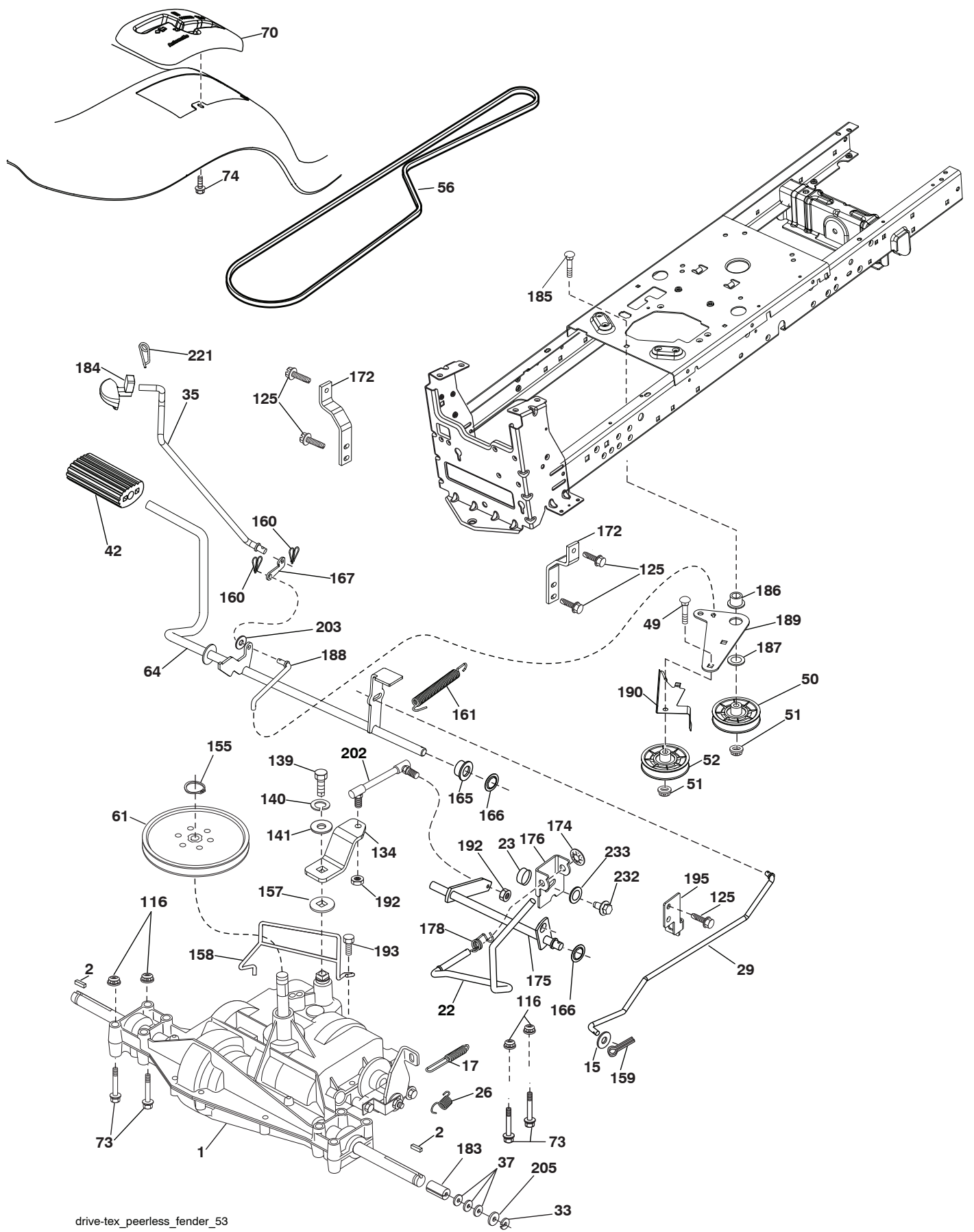
# TRACTOR - MODELO NO. LT1942 (96041031500), PRODUCTO NO. 960 41 03-15 CHASIS

CÓDIGO No.	PIEZA No.	DESCRIPCIÓN	CÓDIGO No.	PIEZA No.	DESCRIPCIÓN
3	532 40 50-12	Logo	191	532 41 65-01	Inserte el derecho reflexivo (LD)
5	532 43 89-64	Tablero	194	873 90 05-00	Tuerca de presión de 5/16-18
6	532 40 48-83	Cierre	196	532 44 86-43	Ensamble de la consola de la plata- forma de elevación
14	532 44 12-67	Capota	198	532 44 15-52	Indicadoras
15	532 44 14-28	Lente izquierdo de la parrilla	199	532 41 34-85	Chapa
18	532 44 13-68	Parrilla	202	532 44 13-42	Salida de Ventilación (LD)
25	532 44 14-27	Lente derecho de la parrilla	203	532 44 13-43	Salida de Ventilación (LI)
34	532 19 61-25	Chapa Motor	204	532 44 13-75	Salida de Ventilación superior
36	817 06 05-12	Tornillo de 5/16-18 x 3/4	205	532 44 13-44	Camisa de Capota (LD)
37	532 44 12-66	Guardabarros	206	532 44 13-45	Camisa de Capota (LI)
52	873 68 05-00	Tuerca de presión 5/16	213	874 76 05-12	Perno 5/16-18 x 3/4
68	817 49 05-08	Tornillo de 5/16-18 x 1/2	214	532 19 91-45	Cierre
130	532 41 63-58	Tornillo No. 10 x 0,75	217	532 40 91-67	Varilla giratoria
137	532 40 75-90	Cubierta Tablero	218	532 19 63-95	Tope
138	532 43 97-47	Portavasos	228	532 19 51-61	Sujetador del travesaño
150	532 40 66-62	Cubierta térmica del conducto	234	532 40 47-42	Cubierta Capota
151	532 40 78-07	Soporte	235	532 40 61-29	Separador del guardabarros
152	532 19 95-35	Protector contra oscurecimiento	236	873 93 05-00	Tuerca de presión 5/16-18 unc
159	817 00 06-12	Tornillo 3/8-16 x 3/4	238	532 44 13-74	Guarnición
162	532 14 24-32	Tornillo	287	817 60 04-06	Tornillo 1/4-20 x 3/8
175	532 19 94-72	Travesaño	297	532 40 66-65	Inserte el derecho reflexivo (LI)
176	532 40 07-76	Tornillo de 10-24 x 5/8			
177	532 19 52-28	Buje de dirección			
180	532 19 54-57	Chasis			
181	532 43 97-46	Buje			
182	532 40 71-76	Tablero inferior			
183	874 52 05-20	Perno 5/16-18 x 1-1/4			
189	817 00 05-12	Tornillo 5/16-18 x 3/4			

**NOTA:** Las dimensiones de todos los componentes están expresadas en pulgadas americanas.  
1 pulgada = 25,4 mm



**TRACTOR - MODELO NO. LT1942 (96041031500), PRODUCTO NO. 960 41 03-15**  
**TRANSMISIÓN**



drive-tex\_peerless\_fender\_53

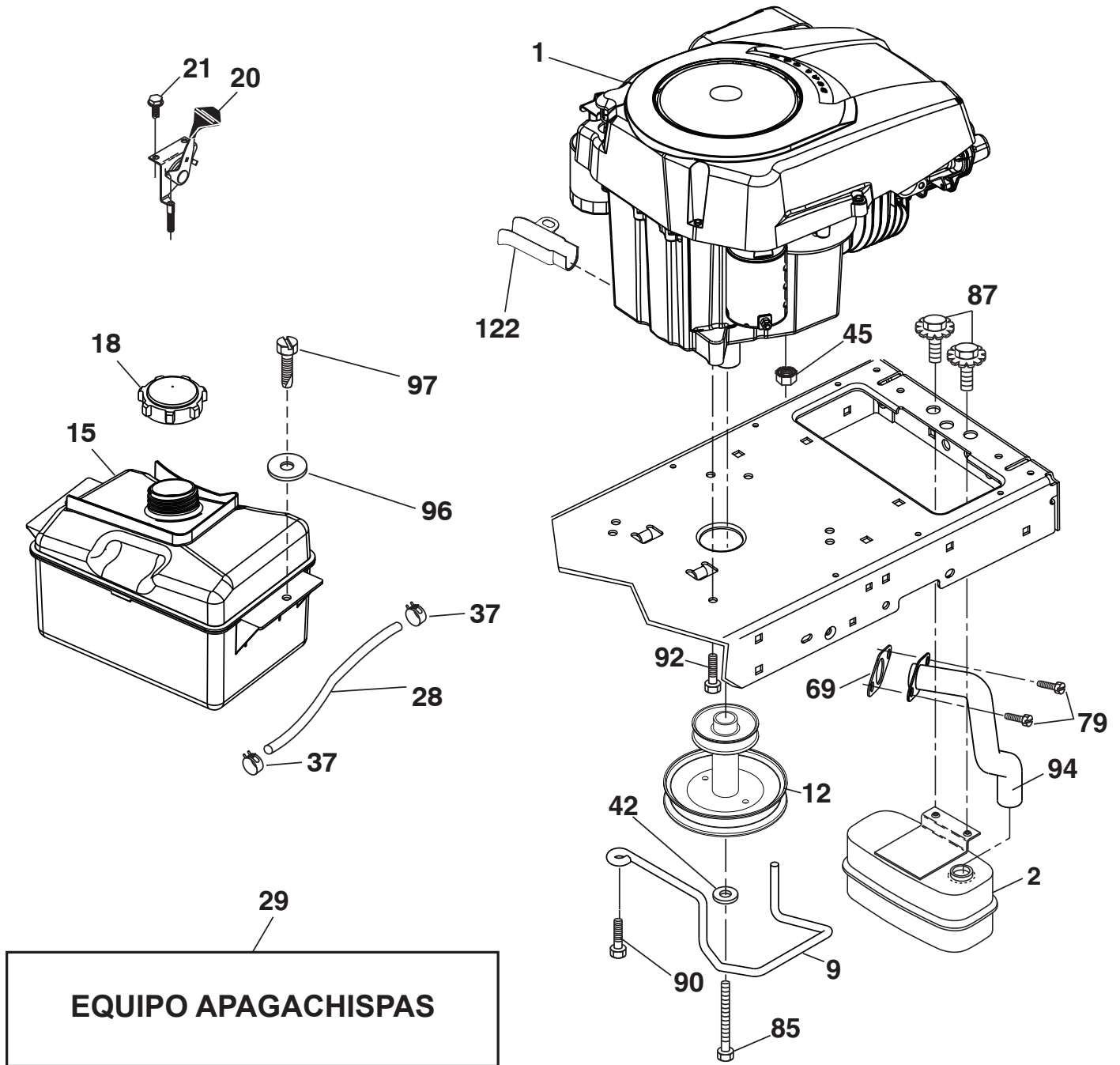
# TRACTOR - MODELO NO. LT1942 (96041031500), PRODUCTO NO. 960 41 03-15

## TRANSMISIÓN

CÓDIGO No.	PIEZA No.	DESCRIPCIÓN	CÓDIGO No.	PIEZA No.	DESCRIPCIÓN
1	---	Transeje, Peerless 206-565 (197941) (Haga el pedido de las piezas al fabricante del transeje.)	161	532 10 57-09	Resorte de retorno del embrague
2	532 12 35-83	Llave	165	532 19 62-12	Buje
15	819 13 13-16	Arandela 13/32 x 13/16 x calibre 16	166	532 42 91-64	Tuerca
17	532 19 72-97	Resorte de freno	167	532 40 52-57	Pestillo del freno de mano
22	532 19 76-60	Varilla	172	532 19 76-57	Correa de torsión LI
23	532 12 12-74	Perilla	174	532 19 72-89	Tuerca
26	532 19 74-55	Resorte de freno	175	532 19 62-24	Ensamble del eje
29	532 19 72-67	Varilla del freno	176	532 19 62-14	Brazo
33	812 00 00-01	Aro "E"	178	532 19 74-56	Resorte
35	532 40 10-31	Varilla del freno de mano	183	532 13 70-57	Separador
37	532 12 17-49	Arandela 25/32 x 1-1/4 x calibre 16	184	532 44 14-07	Manija del freno de mano
42	532 12 48-72	Cubierta del pedal	185	872 11 06-22	Perno
49	872 11 06-14	Perno	186	532 19 43-21	Espaciador de retención
50	532 19 43-27	Polea loca plana	187	819 13 32-10	Arandela
51	873 90 06-00	Tuerca de presión de 3/8-16	188	532 19 43-23	Mecanismo de desplazamiento de la varilla de mando del embrague
52	532 19 43-26	Polea loca con ranura en V con un desplazamiento	189	532 19 43-17	Palanca acodada del mecanismo de desplazamiento
56	532 19 43-46	Correa trapezoidal de la transeje	190	532 19 43-18	Sujetador de la palanca acodada del mecanismo de desplazamiento
61	532 12 36-66	Polea del transeje	192	532 15 03-60	Tuerca 1/4-28
64	532 19 62-00	Ensamble del eje control del pedal de freno	193	817 06 05-12	Tornillo 5/16-18 x 3/4
70	581 45 43-01	Consola	195	532 19 73-32	Soporte
73	874 49 05-40	Perno 5/16-18 x 2-1/2 Gr. 5	202	532 16 62-31	Enlace transeje
74	532 14 24-32	Tornillo	203	819 11 11-16	Arandela 11/32 x 11/16 x calibre 16
116	873 90 05-00	Tuerca 5/16-18	205	532 12 17-48	Arandela 25/32 x 1-5/8 x calibre 16
125	817 00 05-12	Tornillo 5/16-18 x 3/4	221	532 40 31-87	Abrazadera de retención del resorte de la manija
134	532 19 78-57	Ensamble del conexión del cambio	232	874 78 07-16	Tuerca 7/16-14 x 1 Gr 5
139	532 19 78-57	Perno 1/4-28 un f Gr. 8	233	532 40 52-96	Arandela
140	810 04 04-00	Arandela 1/4			
141	819 09 12-10	Arandela 9/32 x 3/4 x calibre 10			
155	812 00 00-28	Retén del resorte			
157	532 10 57-01	Arandela			
158	532 19 43-52	Sujetador de la correa			
159	876 02 04-12	Pasador de chaveta de 1/8 x 3/4			
160	532 16 94-84	Abrazadera de retención			

**NOTA:** Las dimensiones de todos los componentes están expresadas en pulgadas americanas.  
1 pulgada = 25,4 mm

**TRACTOR - MODELO NO. LT1942 (96041031500), PRODUCTO NO. 960 41 03-15  
MOTOR**



engine-tex\_kohl\_23\_r3

**TRACTOR - MODELO NO. LT1942 (96041031500), PRODUCTO NO. 960 41 03-15  
MOTOR**

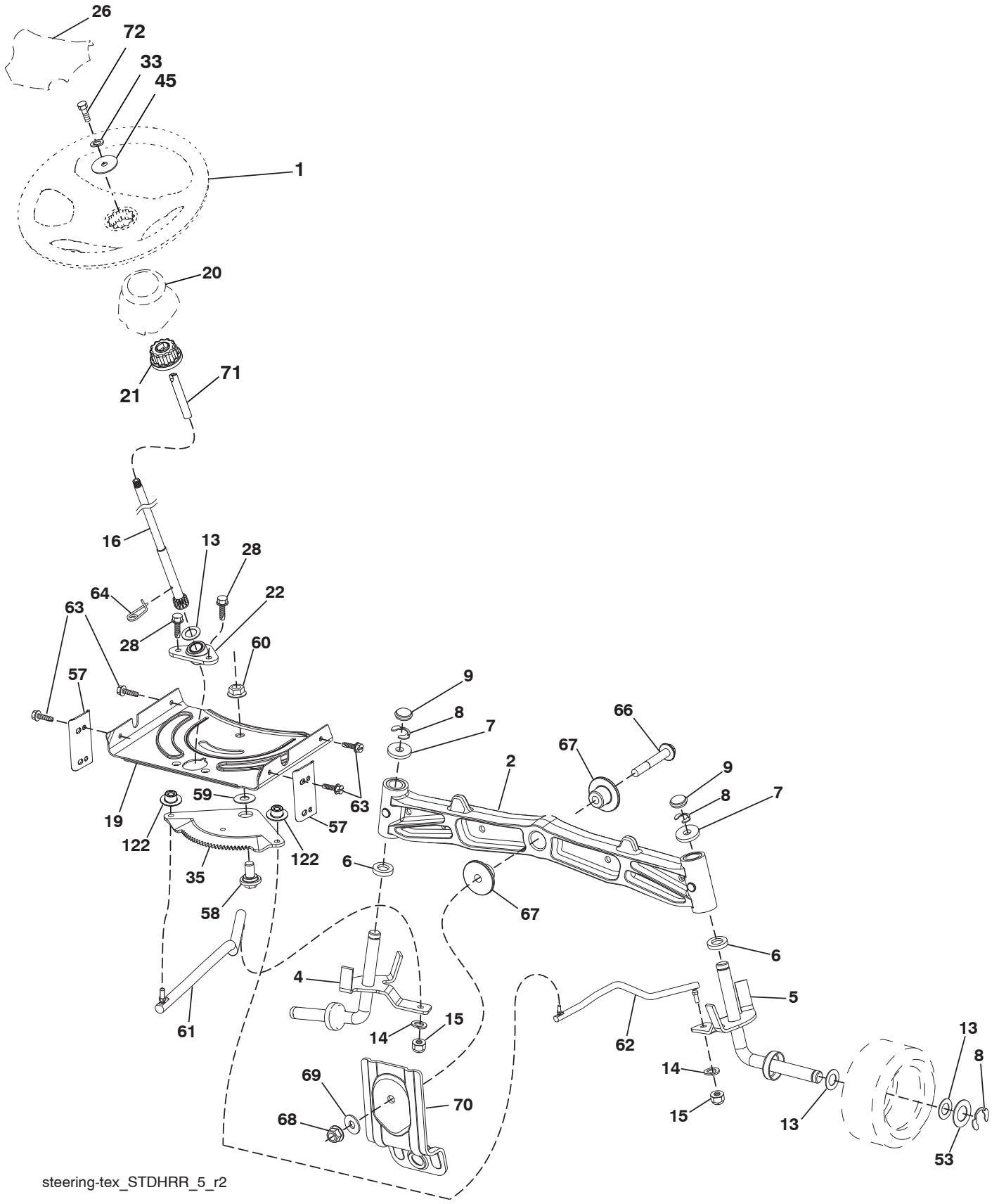
<b>CÓDIGO No.</b>	<b>PIEZA No.</b>	<b>DESCRIPCIÓN</b>
1	-- -- -- --	Engine Kohler Model No. SV590-3230(445326) (Haga el pedido de las piezas al fabricante del motor.)
2	532 13 73-52	Silenciador
9	532 19 43-19	Ensamble del sujetador de la correa del motor
12	532 40 19-85	Polea del motor
15	532 40 75-45	Tanque de Gasolina
18	532 43 02-20	Ensamble de la tapa
20	532 18 38-97	Control del regulador
21	532 41 63-58	Tornillo #10 x 0.750 BOS Thread
28	532 40 11-37	Línea de combustible
29	532 13 71-80	Equipo apagachispas
37	532 12 34-87	Abrazadera de la manguera
42	810 04 07-00	Arandela de presión de 7/16
45	873 51 04-00	Tuerca 1/4-20 unc
69	532 16 52-91	Junta
79	532 19 23-34	Tornillo HD 5/16-18 x .75
85	532 17 39-37	Perno de 7/16-20 x 4 Gr. 5
87	532 19 82-39	Perno de 5/16" UNC x 1"
90	817 00 06-16	Tornillo de 3/8-16 x 1
92	817 12 06-16	Tornillo de 3/8-16 x 1
94	532 18 86-54	Tubo de escape
96	819 09 14-16	Arandela de 9/32 x 7/8 x calibre 16
97	817 67 04-12	Tornillo de 1/4-20 x 3/4
122	532 42 19-22	Extensión del aceite

**NOTA:** Las dimensiones de todos los componentes están expresadas en pulgadas americanas. 1 pulgada = 25,4 mm

Para las piezas del servicio y de recambio del motor, llame el número gratis para su fabricante del motor enumerado abajo:

Kohler Co. 1-800-544-2444

**TRACTOR - MODELO NO. LT1942 (96041031500), PRODUCTO NO. 960 41 03-15**  
**ENSAMBLE DE LA DIRECCIÓN**



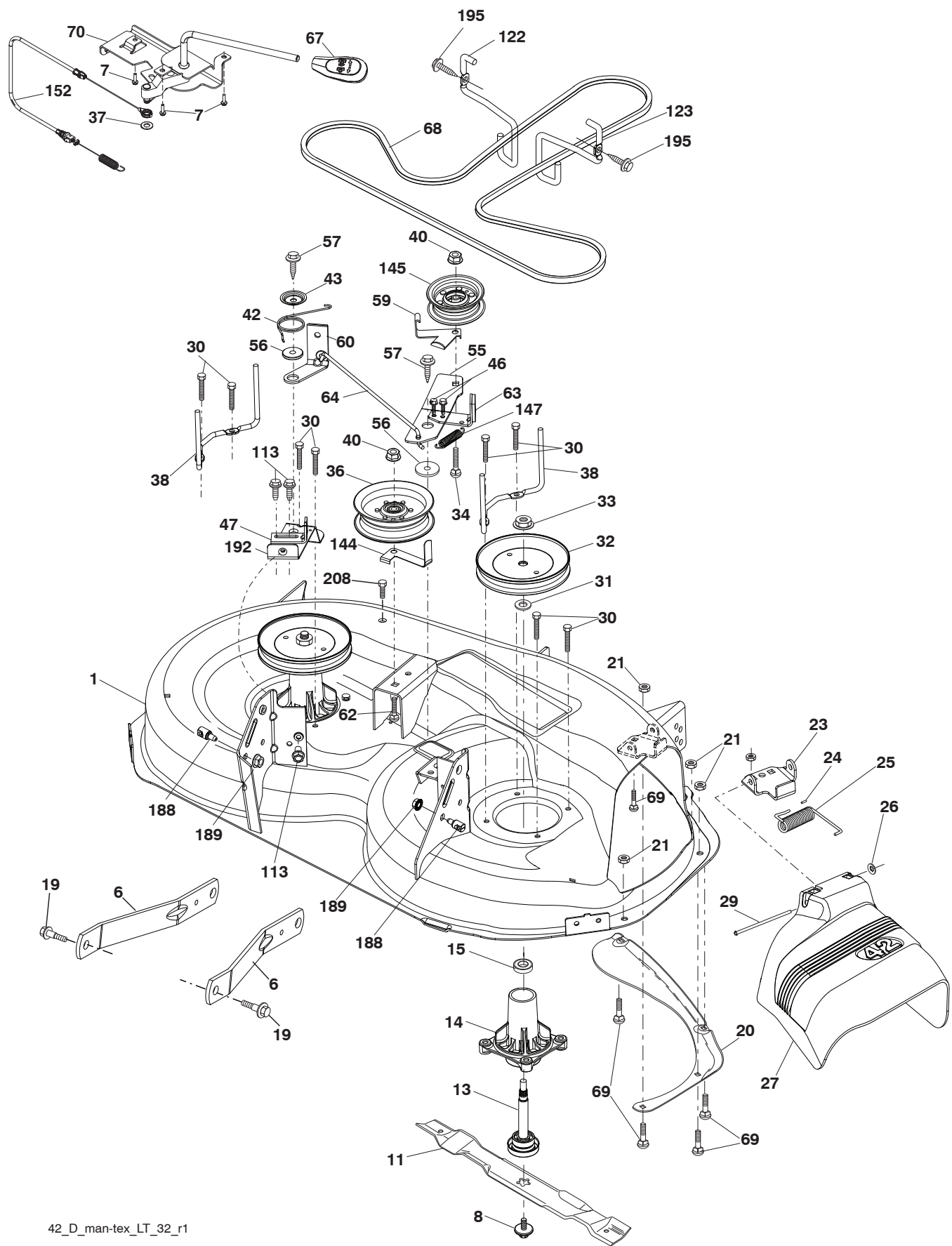
steering-tex\_STDHRR\_5\_r2

**TRACTOR - MODELO NO. LT1942 (96041031500), PRODUCTO NO. 960 41 03-15  
ENSAMBLE DE LA DIRECCIÓN**

<b>CÓDIGO No.</b>	<b>PIEZA No.</b>	<b>DESCRIPCIÓN</b>
1	532 43 97-40	Volante de dirección
2	532 19 59-68	Ensamble del eje delantero
4	532 40 30-87	Ensamble del husillo izquierdo
5	532 40 30-88	Ensamble del husillo derecho
6	532 12 49-31	Pista del rodamiento para reforzar el impulso
7	532 12 17-48	Arandela de 25/32 x 1-5/8 x calibre 16
8	812 00 00-29	Abrazadera del aro No. T5304-75
9	532 12 12-32	Tapa del husillo
13	532 12 17-49	Arandela de 25/32 x 1-1/4 calibre 16
14	810 04 06-00	Arandela de presión de 3/8
15	873 54 06-00	Tuerca de 3/8-24 unf
16	532 42 93-74	Eje de dirección
19	532 19 47-29	Placa de dirección
20	532 44 14-25	Accesorio de transición de la dirección
21	532 18 67-37	Adaptador del volante de dirección
22	532 42 05-37	Dirección apoyo inferior
26	532 43 97-43	Inserto del volante de dirección
28	817 00 06-12	Tornillo de 3/8-16 x 3/4
33	810 04 05-00	Arandela de 5/16
35	532 19 47-32	Engranaje del sector de la placa
45	819 18 38-12	Arandela de 9/16 ID x 2-3/8 x calibre 12
53	532 18 89-67	Arandela de .793 x 1.637 x .060
57	532 40 74-65	Tope superior del soporte
58	532 19 47-47	Perno de tope del sector del pivote CFM
59	532 19 47-48	Arandela de empuje del sector de dirección
60	873 97 10-00	Tuerca de 5/8-11
61	532 19 47-40	Barra de acoplamiento izquierda
62	532 19 47-41	Barra de acoplamiento derecha
63	817 00 05-12	Tornillo de 5/16-18 x 3/4
64	532 19 98-49	Abrazadera de retención del resorte de la dirección
66	871 02 07-48	Perno de cabeza hexagonal con brida acanalada de 7/16-14 x 3
67	532 19 47-37	Buje PM del eje delantero
68	873 90 07-00	Tuerca de 7/16-14 grado 5
69	532 19 91-62	Arandela de 1,5 x 0,505 x 0,118
70	532 19 61-97	Soporte de la plataforma delantera
71	532 19 07-52	Extensión de eje
72	532 42 89-82	Perno 5/16-18 x 4
122	532 44 49-62	Tapa

**NOTA:** Las dimensiones de todos los componentes están expresadas en pulgadas americanas.  
1 pulgada = 25,4 mm

**TRACTOR - MODELO NO. LT1942 (96041031500), PRODUCTO NO. 960 41 03-15**  
**PLATAFORMA DE LA CORTADORA DE CÉSPED**



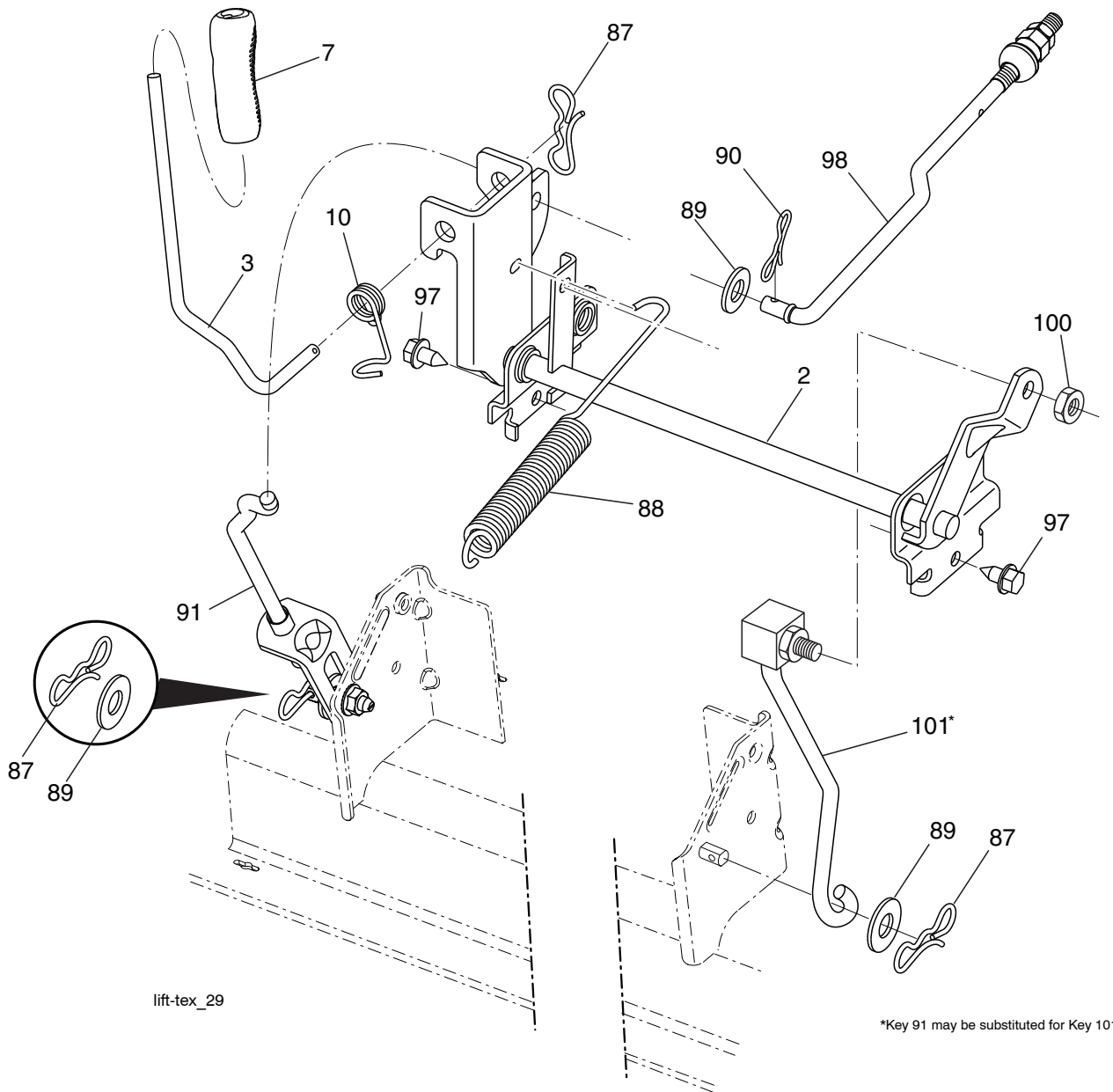
**TRACTOR - MODELO NO. LT1942 (96041031500), PRODUCTO NO. 960 41 03-15  
PLATAFORMA DE LA CORTADORA DE CÉSPED**

<b>CÓDIGO No.</b>	<b>PIEZA No.</b>	<b>DESCRIPCIÓN</b>	<b>CÓDIGO No.</b>	<b>PIEZA No.</b>	<b>DESCRIPCIÓN</b>
1	532 19 99-11	Cubierta del cortacéspedes	60	532 19 94-71	Brazo del freno de la cortadora de césped (LI)
6	532 19 51-86	Suspensión del brazo	62	872 11 06-16	Perno Rd Hd Sq Nk 3/8-16 unc x 2
7	532 41 63-58	Tornillode #10 x 0.750	63	532 19 94-70	Brazo del freno de la cortadora de césped (LD)
8	532 19 30-03	Ensamble de Perno/aranhela 7/16-20 unf	64	532 19 97-90	Acoplamiento del freno
11	532 13 84-97	Cuchilla de la cortadora de césped	67	532 40 30-12	Cable de embrague de la manija
13	532 19 28-72	Ensamble del eje del mandril	68	532 40 83-81	Correa trapezoidal
14	532 18 72-81	Carcasa del mandril	69	872 14 05-05	Perno
15	532 11 04-85	Rodamiento de bolas del mandril	70	532 40 12-46	Ensamble del embrague
19	532 19 65-39	Perno	113	817 00 05-10	Tornillo 5/16-18
20	532 15 97-70	Deflector	122	532 19 72-58	Motor de la correa del encargado (LI)
21	873 68 05-00	Tuerca	123	532 19 72-59	Motor de la correa del encargado (LD)
23	532 19 25-57	Soporte deflector	144	532 19 34-14	Motor de la correa
24	532 10 53-04	Tapa de la manga	145	532 19 31-97	Polea loca
25	532 19 70-26	Resorte de torsión del deflector	147	532 40 18-72	Crucero con retorno
26	532 11 04-52	Tuerca de presión	152	532 43 51-11	Cable
27	532 19 39-68	Protector del deflector	188	532 19 51-61	Sujetador del travesaño
29	532 13 14-91	Varilla de la bisagra	189	873 90 05-00	Tuerca de presión
30	532 17 39-84	Tornillo con cabeza de arandela	192	532 19 72-60	Soporte
31	532 18 76-90	Arandela del separador	195	817 00 06-12	Tornillo de 3/8-16 x 3/4
32	532 19 97-89	Polea del mandril	208	817 67 06-08	Tornillo 3/8-16 x 1/2
33	532 40 02-34	Tuerca de seguridad con brida	--	532 19 28-70	Asamblea del mandril (incluye la cubierta, el montaje del eje, y la polea del cojinete solamente -/la tuerca/el perno de la arandela y de la lámina/ las arandelas no incluidas)
34	872 11 06-12	Tuerca de 3/8-16 x 1-1/2 Gr. 5	--	532 41 52-41	Reemplazo de la cortadora de césped, completa
36	532 19 73-79	Polea loca			
37	819 13 13-16	Arandela			
38	532 19 95-41	Sujetador de la mandril (LI)			
40	873 90 06-00	Tuerca de presión 3/8-16 unc			
42	532 19 84-10	Resorte de torsión del freno			
43	532 19 72-56	Resorte de torsión de retención			
46	532 13 77-29	Tornillo de 1/4-20 x 5/8			
47	532 19 72-50	Soporte del cable de embrague			
55	532 19 72-49	Brazo de la polea			
56	532 19 90-92	Espaciador de retención			
57	817 00 06-16	Tornillo de 3/8-16 x 1			
59	532 14 10-43	Dispositivo de protección			

**NOTA:** Las dimensiones de todos los componentes están expresadas en pulgadas americanas.  
1 pulgada = 25,4 mm



**TRACTOR - MODELO NO. LT1942 (96041031500), PRODUCTO NO. 960 41 03-15**  
**ELEVACIÓN DE LA CORTADORA DE CÉSPED**



lift-tex\_29

\*Key 91 may be substituted for Key 101

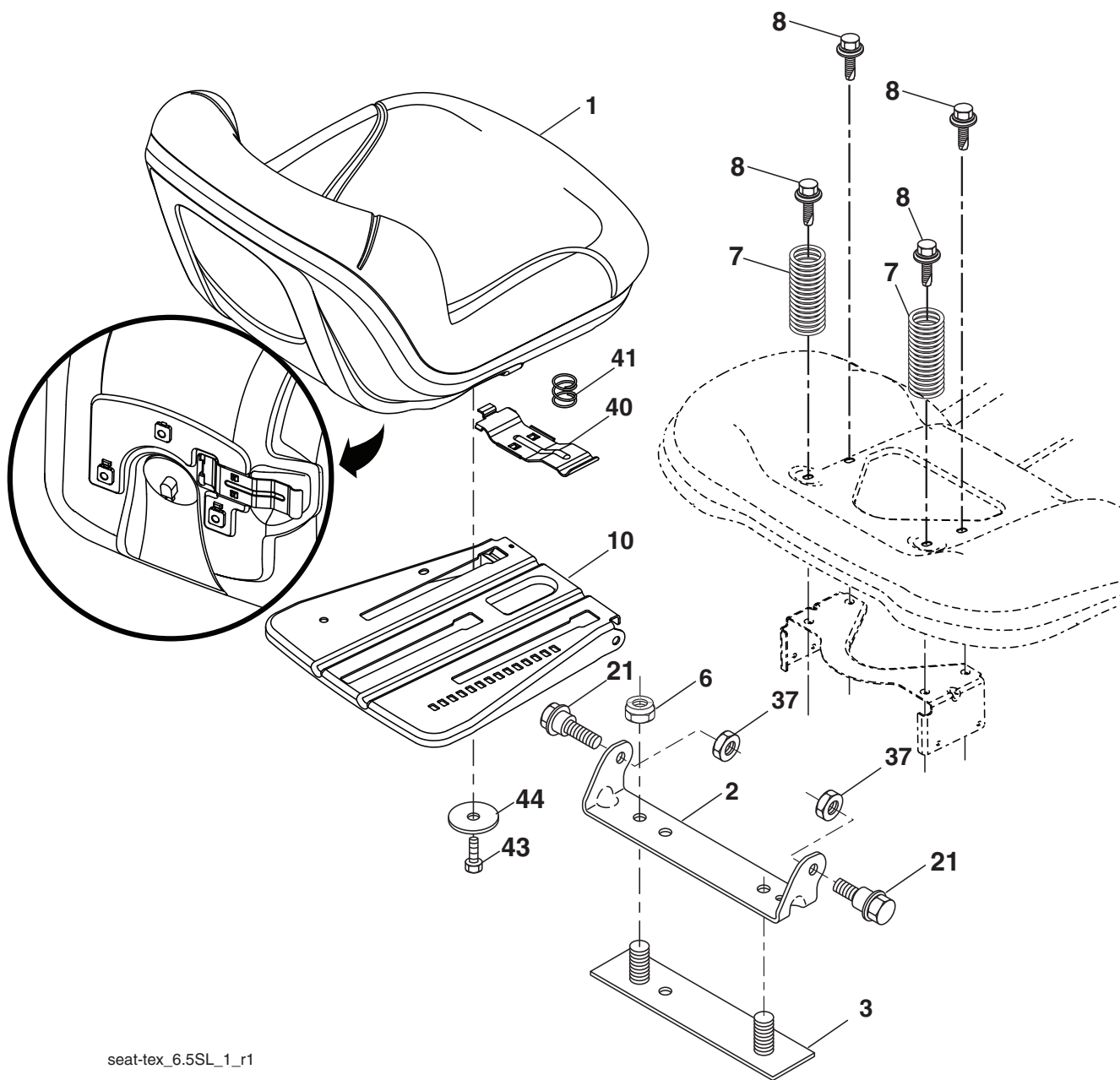
CÓDIGO No.	PIEZA No.	DESCRIPCIÓN
2	532 42 20-27	Ensamble del eje de la elevación
3	532 19 52-31	Ensamble de la palanca de elevación derecha
7	532 41 15-55	Mango de la palanca
10	532 19 63-14	Resorte de torsión
87	532 19 42-09	Pasador de chaveta de 7/16 con bloqueo en forma de mariposa
88	532 41 07-10	Resorte
89	819 19 19-12	Arandela de zinc transparente
90	532 19 42-08	Pasador de chaveta de 5/16 con bloqueo en forma de mariposa

CÓDIGO No.	PIEZA No.	DESCRIPCIÓN
91	532 19 51-81	Soporte
97	817 00 06-12	Tornillo de 3/8-16 x 0,75
98	532 19 52-70	Acoplamiento frontal de la elevación de la cortadora de césped
100	873 93 06-00	Tuerca de presión central de 3/8-16 unc
101	532 40 70-03	Ensamble del acoplamiento

**NOTA:** Las dimensiones de todos los componentes están expresadas en pulgadas americanas.  
 1 pulgada = 25,4 mm

# TRACTOR - MODELO NO. LT1942 (96041031500), PRODUCTO NO. 960 41 03-15

## ENSAMBLE DEL ASIENTO



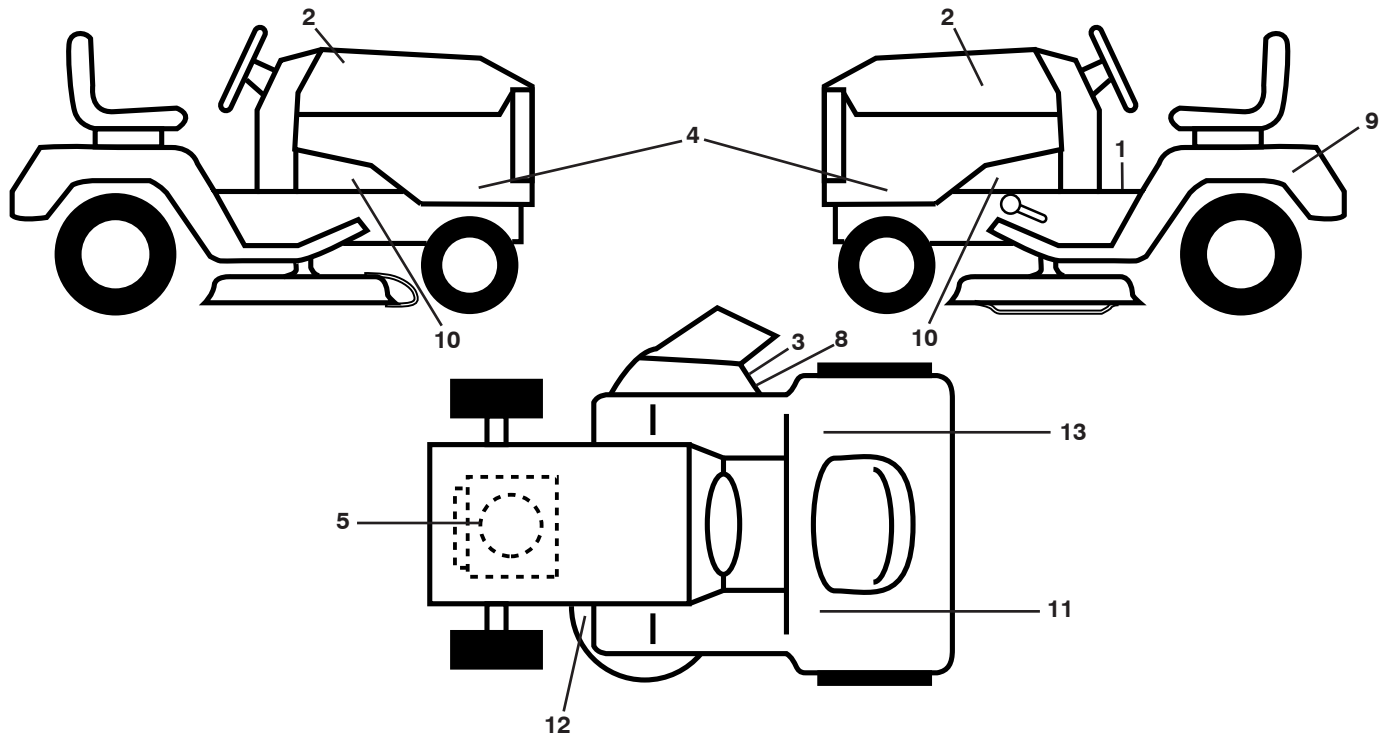
seat-tex\_6.5SL\_1\_r1

CÓDIGO No.	PIEZA No.	DESCRIPCIÓN
1	532 43 98-19	Asiento
2	532 18 01-66	Soporte pivotante del guardabarros
3	532 14 06-75	Conector del ensamble del guardabarros
6	873 80 06-00	Tuerca de 3/8-16 unc
7	532 12 41-81	Resorte del asiento
8	532 17 18-77	Perno de 5/16" unc x 3/4"
10	532 19 69-77	Bandeja del asiento
21	532 17 18-52	Perno de tope de 5/16-18
37	873 80 05-00	Tuerca de presión de 5/16-18 unc

CÓDIGO No.	PIEZA No.	DESCRIPCIÓN
40	532 19 76-61	Manija para deslizar el asiento
41	532 19 82-00	Resorte para trabar el asiento
43	874 76 06-12	Perno de cabeza hexagonal con aleta de 3/8-16 unc x 3/4
44	819 13 38-12	Arandela de 13/32 x 2-3/8 calibre 12

**NOTA:** Las dimensiones de todos los componentes están expresadas en pulgadas americanas.  
1 pulgada = 25,4 mm

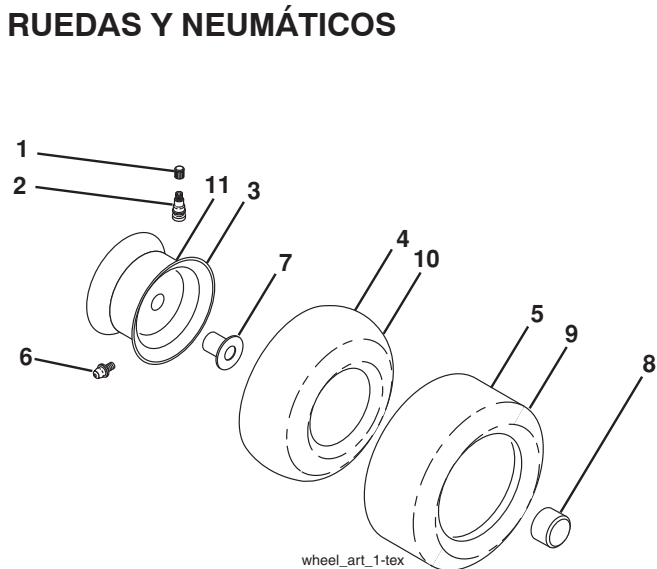
**TRACTOR - MODELO NO. LT1942 (96041031500), PRODUCTO NO. 960 41 03-15  
CALCOMANÍAS**



CÓDIGO No.	PIEZA No.	DESCRIPCIÓN
1	532 40 03-89	Calcomanía para el Operario
2	581 62 73-01	Calcomanía para la capota
3	532 19 68-41	Calcomanía, advertencia
4	581 35 78-01	Calcomanía para la capota
5	532 19 68-41	Calcomanía, motor
8	532 19 63-57	Calcomanía, deflector
9	532 14 50-05	Calcomanía de Peligro/Punto de interconexión
10	532 15 97-36	Calcomanía para la manija del freno de mano
11	532 15 97-37	Calcomanía, advertencia

CÓDIGO No.	PIEZA No.	DESCRIPCIÓN
12	532 16 03-96	Calcomanía del diagrama de la cortadora de césped
13	532 14 08-37	Calcomanía del varilla del freno/ embrague
--	532 43 96-81	Forro del apoyo para los pies (LI)
--	532 43 99-66	Forro del apoyo para los pies (LD)
--	532 16 25-98	Decal, Drawbar Load Limit
--	581 35 75-26	Manual del Operario Inglés/Español
--	581 35 75-50	Manual del Operario Portugués
--	581 35 75-40	Manual de Repuestos Inglés/Español
--	581 35 75-02	Manual de Repuestos Portugués

**RUEDAS Y NEUMÁTICOS**



CÓDIGO No.	PIEZA No.	DESCRIPCIÓN
1	532 05 91-92	Tapa de la válvula del neumático
2	532 06 51-39	Vástago de la válvula
3	532 13 83-36	Llantas delanteras
4	532 05 99-04	Cámara delantera
5	532 10 62-22	Neumático delantero
6	532 12 49-57	Accesorio para engrasar (solo para la rueda delantera)
7	532 12 49-59	Rodamiento de la brida (solo para la rueda delantera)
8	532 17 50-39	Tapa del eje (solo para la rueda delantera)
9	532 13 84-68	Neumático trasero
10	532 12 49-26	Cámara trasera
11	532 13 83-37	Ensamble trasero de la llanta
--	532 14 43-34	Sellador para neumáticos (tubo de 10 onzas [283 gr])

**NOTA:** Las dimensiones de todos los componentes están expresadas en pulgadas americanas.  
1 pulgada = 25,4 mm

---

# **SERVICE NOTES / AVISO**

---

**12/10/2012 BD/TH**