

MZ 28T CE

Spare parts

Ersatzteile

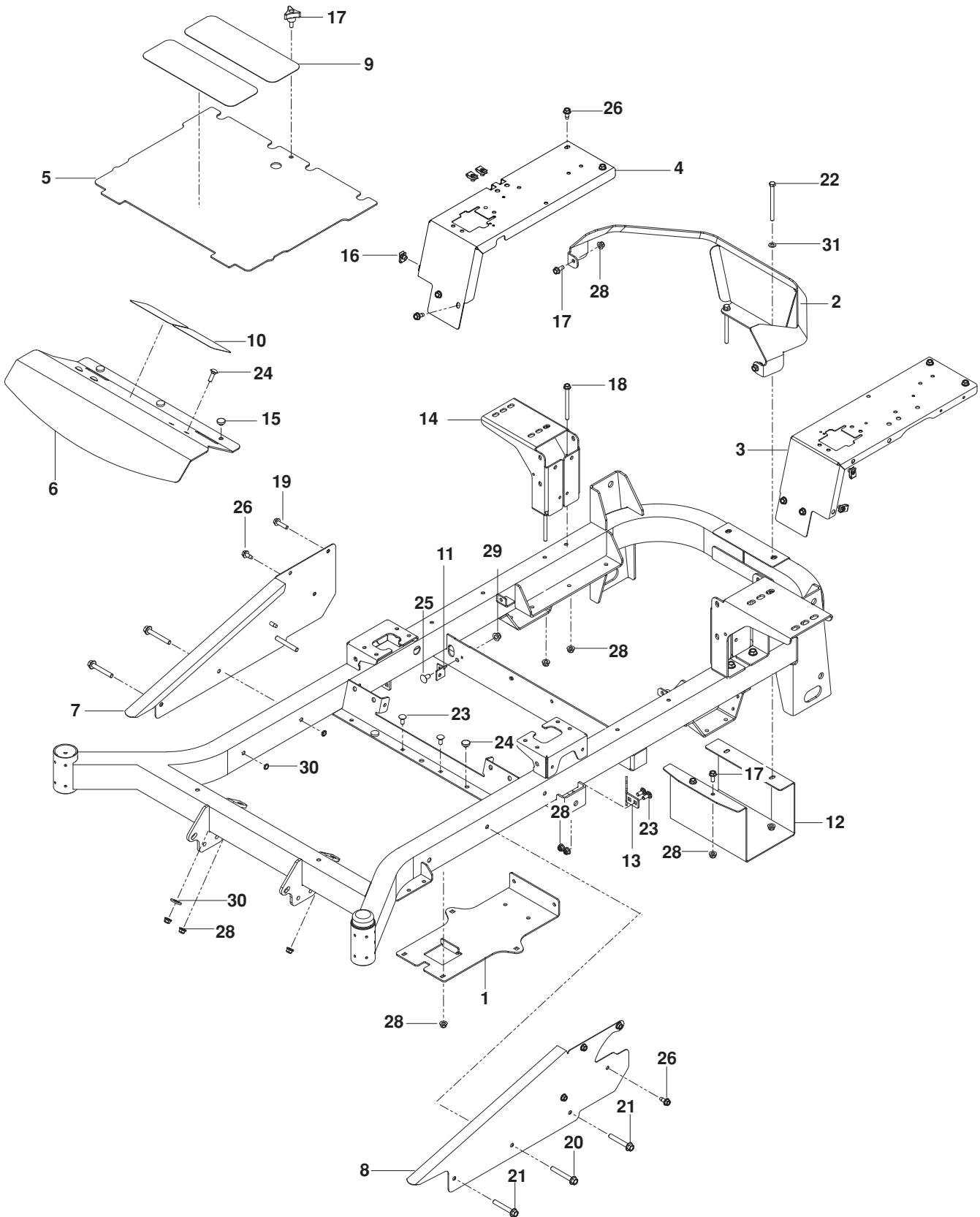
Pièces détachées

Reserve onderdelen

Repuestos

Reservdelar

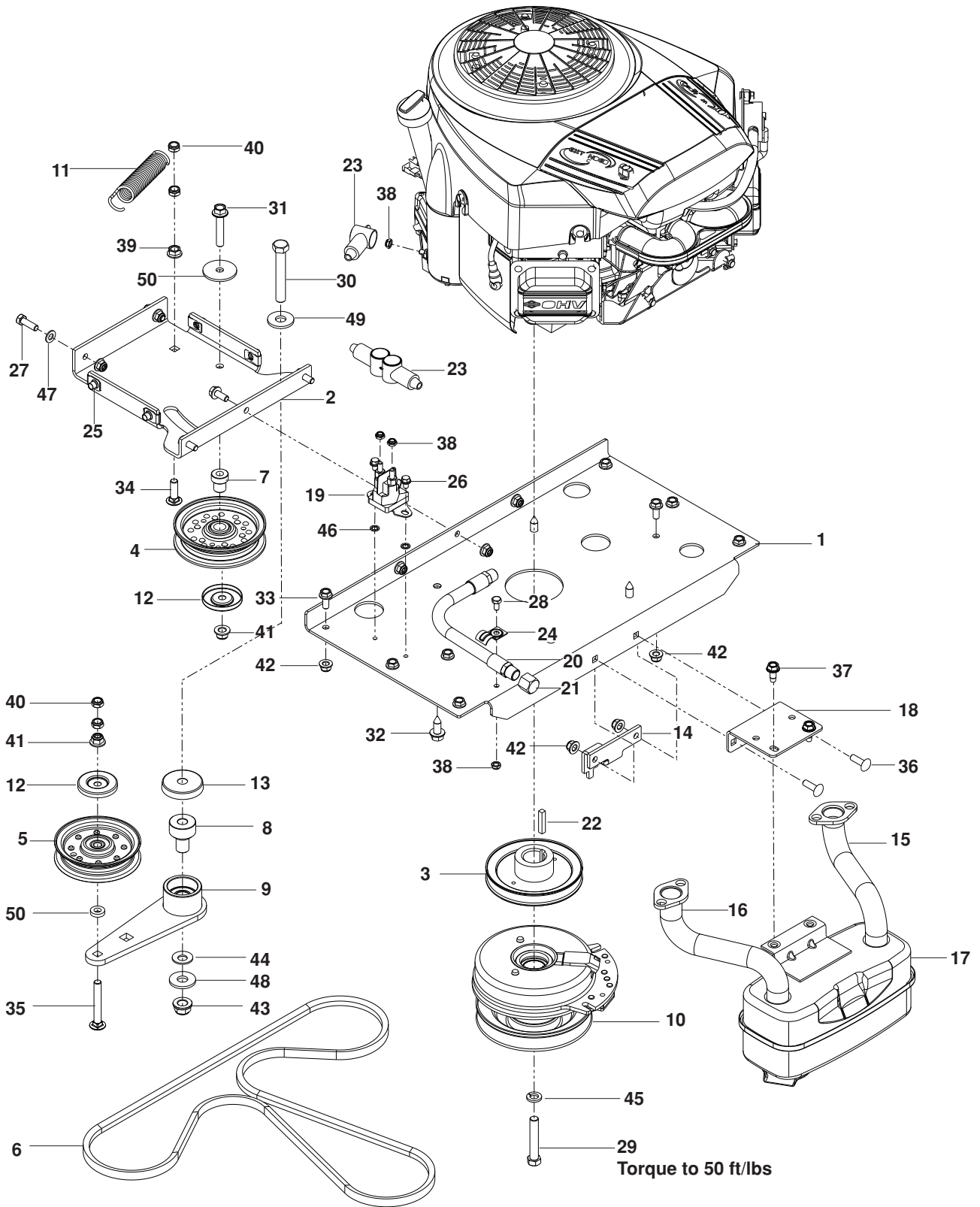
FRAME



FRAME

ITEM	PART NO.	QTY.	DESCRIPTION	ITEM	PART NO.	QTY.	DESCRIPTION
1..	575 017202....1	PLATE, BATTERY, BLK	17..	525 464701....5	HHFS ⁵ / ₁₆ -18 x ³ / ₄
2..	575 348402....1	GUARD, REAR GRY	18..	539 131780....4	HHFS ⁵ / ₁₆ -18 x 3 ³ / ₄
3..	577 256802....1	PANEL, LT ORG	19..	525 544001....1	HHFS ⁵ / ₁₆ -18 x 1 ¹ / ₄ TPBLT
4..	577 256902....1	PANEL, RT ORG	20..	539 131781....2	HHFS ³ / ₈ -16 x 2 ³ / ₄
5..	539 132744....1	PLATE w/ SAFTY DECAL ORG	21..	539 133006....4	HHFS ³ / ₈ -16 x 2 ¹ / ₂
6..	539 132380....1	PLATE, FOOTREST ORG	22..	539 102335....3	HCS ⁵ / ₁₆ -18 x 4
7..	539 131579....1	SIDE, RT ORG	23..	539 990316....6	RHSNB ⁵ / ₁₆ -18 x ³ / ₄
8..	539 131577....1	SIDE, LT ORG	24..	539 990208....3	RHSNB ⁵ / ₁₆ -18 x 1
9..	539 977778....2	PAD, ABRASIVE LG	25..	539 109117....2	RHSNB ³ / ₈ -16 x ³ / ₄
10..	539 121322....2	PAD, ABRASIVE SM	26..	539 107475..12	BOLT ⁵ / ₁₆ -18 x ³ / ₄ THD FRM
11..	575 245202....2	BRACKET, DAMPENER	27..	539 200282....6	NUT ³ / ₈ -16 HEX JAM NYLOC
12..	575 230402....1	SHIELD, MUFFLER BLK	28..	539 112899....6	NUT ⁵ / ₁₆ -18 HEX FLANGE NYL
13..	505 256401....2	STOP, DECK	29..	521 996501....2	NUT ³ / ₈ -16 HEX FLG NYLOC
14..	575 533602....2	MOUNT, TANK BLK	30..	539 990250....1	WASHER
15..	539 102587....5	BUMPER	31..	539 990188....2	WASHER ⁵ / ₁₆ SAE FLAT
16..	539 104763....8	RETAINER, U TYPE ⁵ / ₁₆ -18				

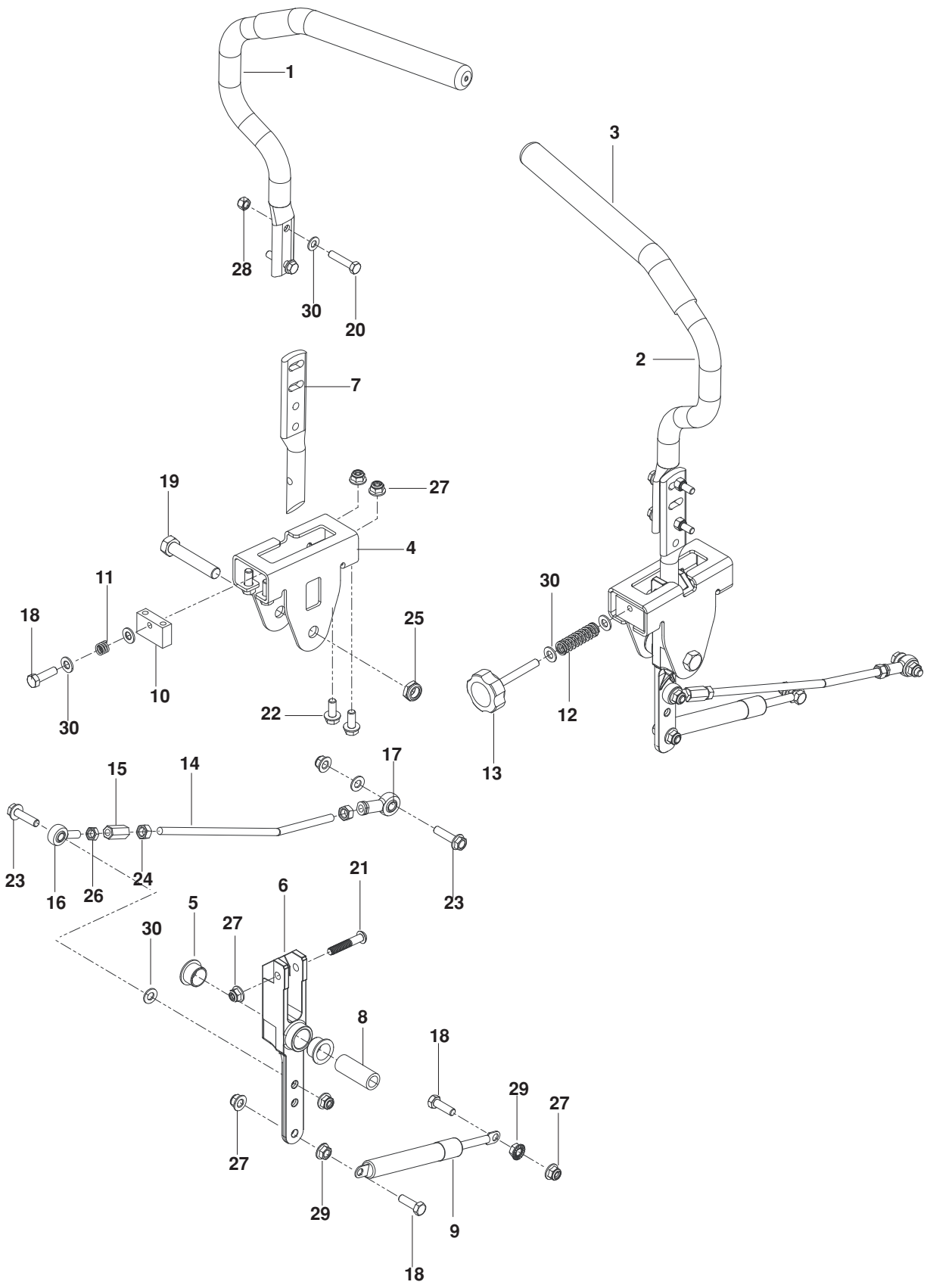
ENGINE PLATE



ENGINE PLATE

ITEM	PART NO.	QTY.	DESCRIPTION	ITEM	PART NO.	QTY.	DESCRIPTION
1..	575 608801....	1 PLATE, ENGINE w/ DECAL	28..	539 990071....	1 HCS 1/4-20 x 2
2..	574 846402....	1 PLATE, IDLER SUPPORT	29..	539 991120....	1 HCS 7/16-20 x 2 1/2
3..	574 811001....	1 PULLEY, V 1 1/8 BORE	30..	539 103433....	1 HCS 1/2-13 x 3 1/4
4..	539 976688....	1 PULLEY, IDLER	31..	525 866201....	1 HHFS 3/8-16 x 2
5..	539 107620....	1 PULLEY, IDLER SECONDARY	32..	532 120616....	4 HHFS 3/8-16 x 1 THD FRM
6..	574 870901....	1 BELT	33..	525 464701..	11 HHFS 5/16-18 x 3/4
7..	525 435601....	1 PIVOT, IDLER	34..	539 100413....	1 RHSNB 3/8-16 x 1 1/4
8..	510 206301....	1 PIVOT, BEARING	35..	539 130235....	1 RHSNB 3/8-16 x 2 3/4
9..	510 041603....	1 ARM, IDLER w/ BEARINGS	36..	539 107271....	2 RHSSNB 5/16-18 x 1
10..	574 607001....	1 CLUTCH, 200 FT-LB	37..	539 107475....	2 BOLT 5/16-18 x 3/4 THD FRM
11..	510 254401....	1 SPRING, PUMP	38..	539 108120....	4 NUT 1/4-20 HEX THIN NYLOC
12..	510 254501....	2 SHIELD, DUST	39..	539 990613....	1 NUT 3/8-16 HEX WHIZLK
13..	539 114662....	1 SHIELD, DUST	40..	539 200282....	4 NUT 3/8-16 HEX JAM NYLOC
14..	575 017302....	1 STOP, CLUTCH	41..	521 996501....	2 NUT 3/8-16 HEX FLG NYLOC
15..	532 159955....	1 EXHAUST TUBE, RT	42..	539 112899..	15 NUT 5/16-18 HEX FLANGE NYL
16..	532 160589....	1 EXHAUST TUBE, LT	43..	521 991101....	1 NUT 1/2-13 HEX FLG NYLOC
17..	539 131604....	1 MUFFLER ASM TWIN	44..	539 115528....	1 WASHER 1/2" BELLEVILLE
18..	575 229902....	1 BRKT, MUFFLER, BLK	45..	539 990247....	1 WASHER 7/16 SLW
19..	539 101714....	1 SOLENOID	46..	539 990053....	2 WASHER 1/4 INT TOOTH LK
20..	539 101362....	1 HOSE, DRAIN	47..	539 990188....	2 WASHER 5/16 SAE FLAT
21..	539 101364....	1 PLUG, OIL	48..	539 109554....	2 WASHER 1/2 FLAT ZD
22..	539 912757....	1 KEY 1/4 SQ x 1 1/4	49..	539 109562....	1 WASHER 3/8 x 3/4
23..	539 102759....	3 INSULATOR	50..	539 111897....	1 WASHER, SPECIAL
24..	539 101363....	1 CLAMP				NOT SHOWN
25..	539 104763....	4 RETAINER, U TYPE 5/16-18		539 102757....	1 CABLE, POSITIVE
26..	539 990302....	2 SCREW 1/4-20 x 8 THD FRM		576 413201....	1 PIGTAIL, MZ, EFM
27..	539 990209....	2 HCS 5/16-18 x 1		525 349801....	1 SCREEN GUARD

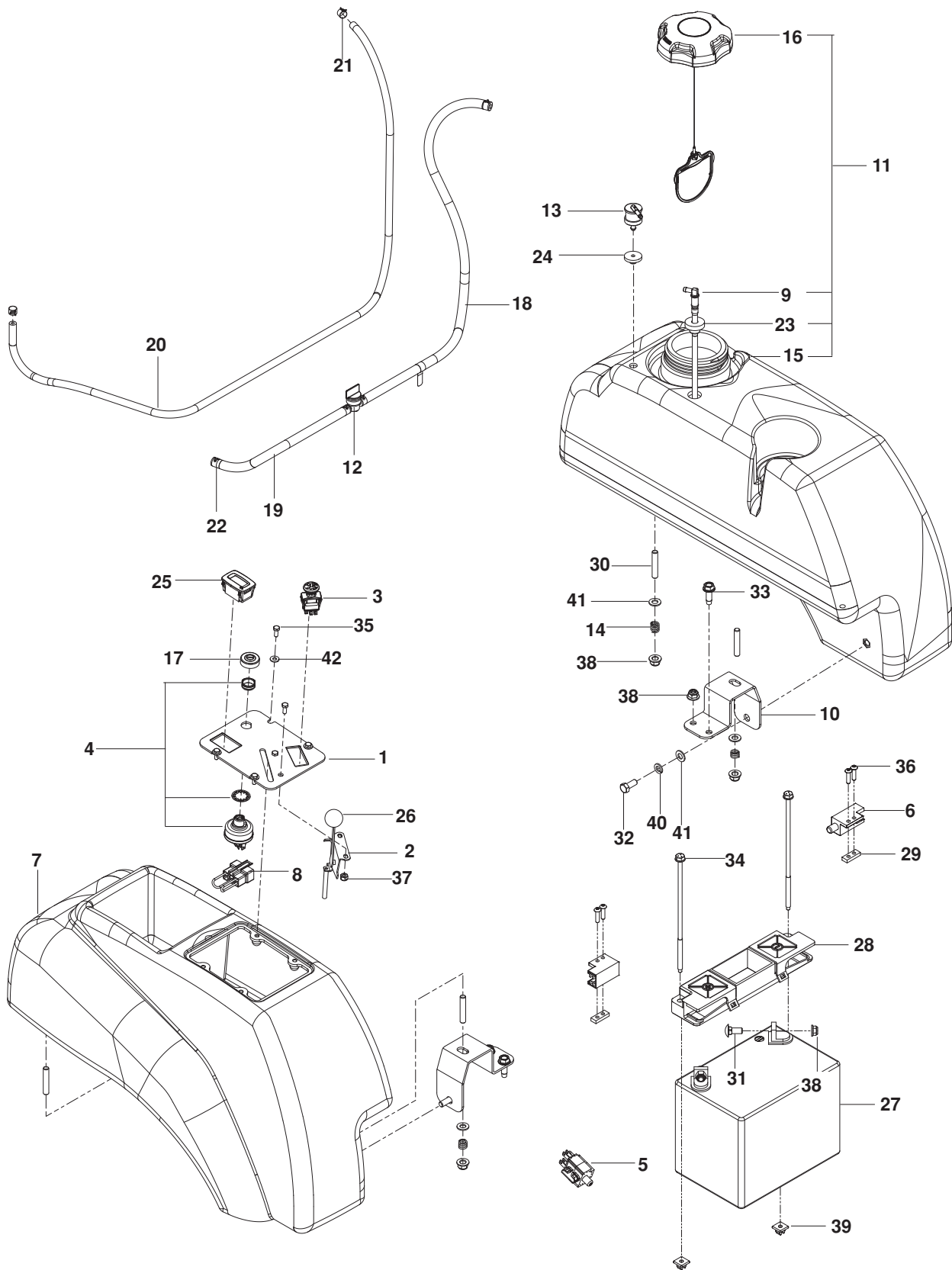
STEERING



STEERING

ITEM	PART NO.	QTY.	DESCRIPTION	ITEM	PART NO.	QTY.	DESCRIPTION
1..	539 132009....	1 LEVER w/ GRIP RT	16..	539 115729....	2 ROD END RT
2..	539 132010....	1 LEVER w/ GRIP LT	17..	539 116690....	2 ROD END LT
3..	539 130894....	2 GRIP, FOAM	18..	539 990627....	5 HCS $\frac{5}{16}$ -18 x $1\frac{1}{4}$
4..	577 251701....	2 BRACKET, CONTROL	19..	539 101332....	2 HCS $\frac{1}{2}$ -13 x $2\frac{3}{4}$
5..	539 131518....	4 BEARING, FLANGE	20..	539 976935....	4 HCS $\frac{5}{16}$ -18 x $1\frac{1}{2}$
6..	576 140301....	2 LEVER, CONTROL	21..	576 850402....	2 SCREW $\frac{5}{16}$ -18 X $1\frac{3}{4}$ BTN HD
7..	577 420001....	2 LEVER, HANDLE	22..	525 464701....	8 HHFS $\frac{5}{16}$ -18 X $\frac{3}{4}$
8..	577 252401....	2 SPACER, PIVOT CONTROL	23..	525 544001....	4 HHFS $\frac{5}{16}$ -18 x $1\frac{1}{4}$ TPBLT
9..	539 102720....	2 DAMPENER	24..	539 990223....	4 NUT $\frac{5}{16}$ -24 HEX
10..	577 251801	2 BLOCK, TRACKING	25..	539 108010....	2 NUT $\frac{1}{2}$ -13 HEX JAM NYL GR2
11..	539 102845....	1 SPRING	26..	539 991073....	2 NUT $\frac{5}{16}$ -24 HEX JAM LH
12..	576 850301....	1 SPRING	27..	539 112899..	10 NUT $\frac{5}{16}$ -18 HEX FLG NYLOC
13..	539 131799....	1 KNOB	28..	539 990717....	6 NUT $\frac{5}{16}$ -18 HEX NYLOC
14..	574 811401....	2 ROD, MOTION CONTROL	29..	539 990585....	4 NUT $\frac{5}{16}$ -18 HEX WHIZLK
15..	539 116689....	2 COUPLER, ROD END	30..	539 990188..	12 WASHER $\frac{5}{16}$ SAE FLT

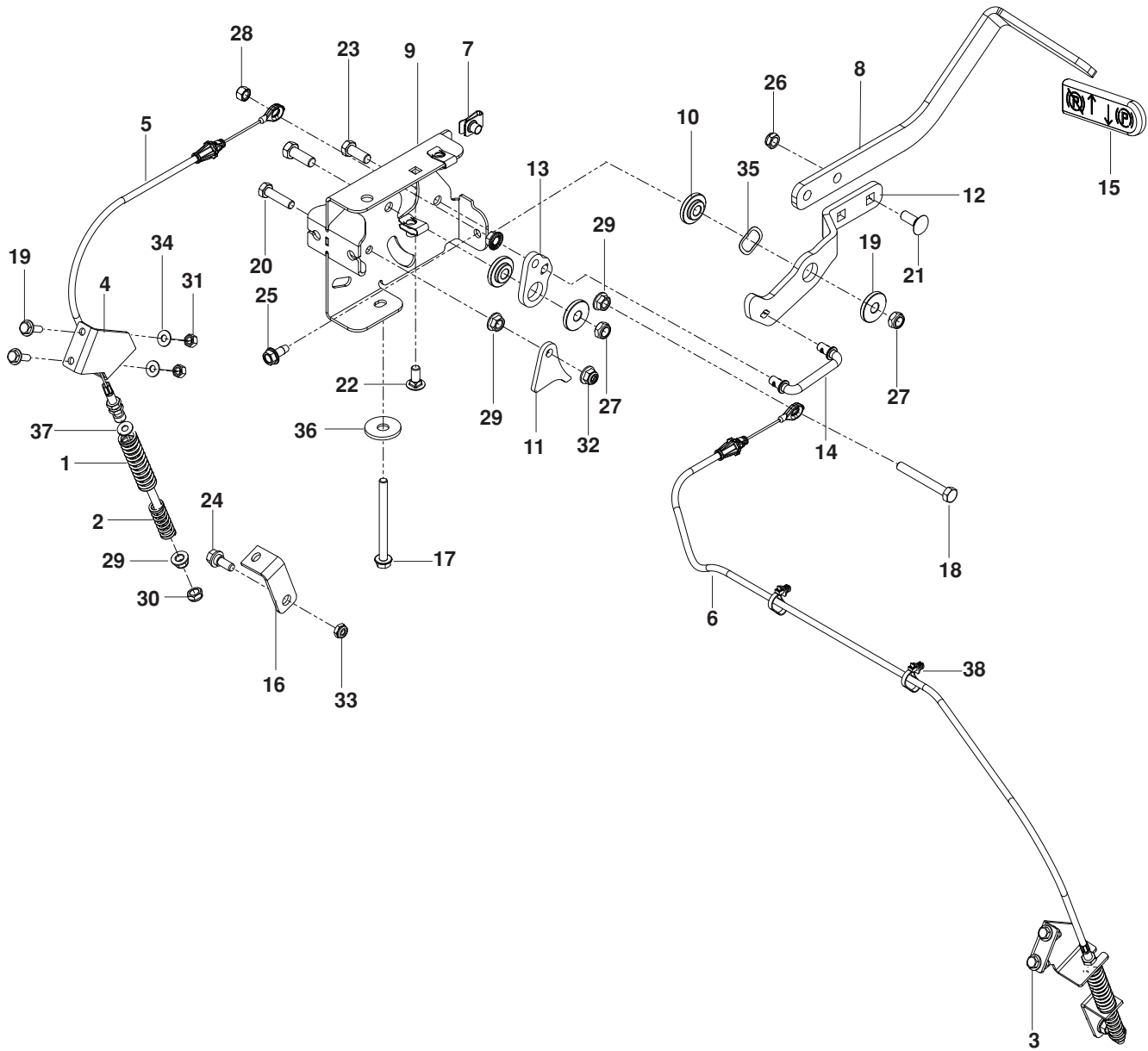
IGNITION



IGNITION

ITEM	PART NO.	QTY.	DESCRIPTION	ITEM	PART NO.	QTY.	DESCRIPTION
1..	574 841202....	1 PLATE, CONSOLE, BLK	25..	576 179401....	1 HOUR METER
2..	539 112438....	1 CABLE, THROTTLE	26..	539 133049....	1 KNOB
3..	539 131627....	1 SWITCH, PTO 10 AMP	27..	539 102436....	1 BATTERY
4..	574 455401....	1 SWITCH, IGNITION	28..	539 107628....	1 BATTERY HOLD DOWN
5..	539 113792....	1 SWITCH, BRAKE	29..	539 102678....	2 PLATE, TAPPED
6..	539 101080....	2 SWITCH, INTERLOCK	30..	539 102502....	6 STUD ⁵ / ₁₆ -18
7..	539 107593....	1 CONSOLE, RT	31..	539 990316....	2 RHSNB ⁵ / ₁₆ -18 x ³ / ₄
8..	575 321001....	1 PLUG, TIMER	32..	539 976934....	2 HCS ⁵ / ₁₆ -18 x ³ / ₄
9..	576 469201....	1 FITTING, FUEL	33..	539 113226....	3 BOLT ⁵ / ₁₆ -18 x 1 THD FRM
10..	539 131671....	2 SUPPORT, TANK, BLK	34..	539 107632....	2 BOLT ¹ / ₄ x 7 ¹ / ₂
11..	576 370102....	1 TANK ASSY LT	35..	539 990411....	6 SCREW #10-24 x ¹ / ₂ SLT
12..	539 916325....	1 VALVE, FUEL	36..	574 822701....	4 SCREW #10-24 x ³ / ₄ SKT HD
13..	576 618101....	1 VALVE, FUEL CHECK	37..	539 976977....	2 NUT #10-24 NYLOC
14..	539 102845....	6 SPRING	38..	539 112899....	12 NUT ⁵ / ₁₆ -18 HEX FLANGE NYL
15..	576 370101....	1 TANK, FUEL LT	39..	539 107629....	2 NUT ¹ / ₄ PUSH NYLON
16..	575 018101....	1 FUEL CAP w /TETHER	40..	539 990187....	2 WASHER ⁵ / ₁₆ SLW
17..	539 103178....	1 CAP, IGNITION SWITCH NUT	41..	539 990188....	8 WASHER ⁵ / ₁₆ SAE
18..	539 107765....	1 HOSE, FUEL	42..	539 105408....	4 WASHER #10
19..	539 932956....	1 HOSE, FUEL 10"	NOT SHOWN			
20..	576 660602....	1 HOSE, FUEL	539 104974....	1 POSITIVE CABLE	
21..	575 436501....	2 CLAMP, HOSE	539 107645....	1 NEGATIVE CABLE	
22..	539 912222....	4 CLAMP, HOSE	575 320901....	1 MAIN HARNESS	
23..	539 105245....	1 GROMMET, RUBBER	539 976856....	8 WIRE TIE	
24..	576 618201....	1 GROMMET, CHECK VALVE	574 455501....	1 KEY, IGNITION	

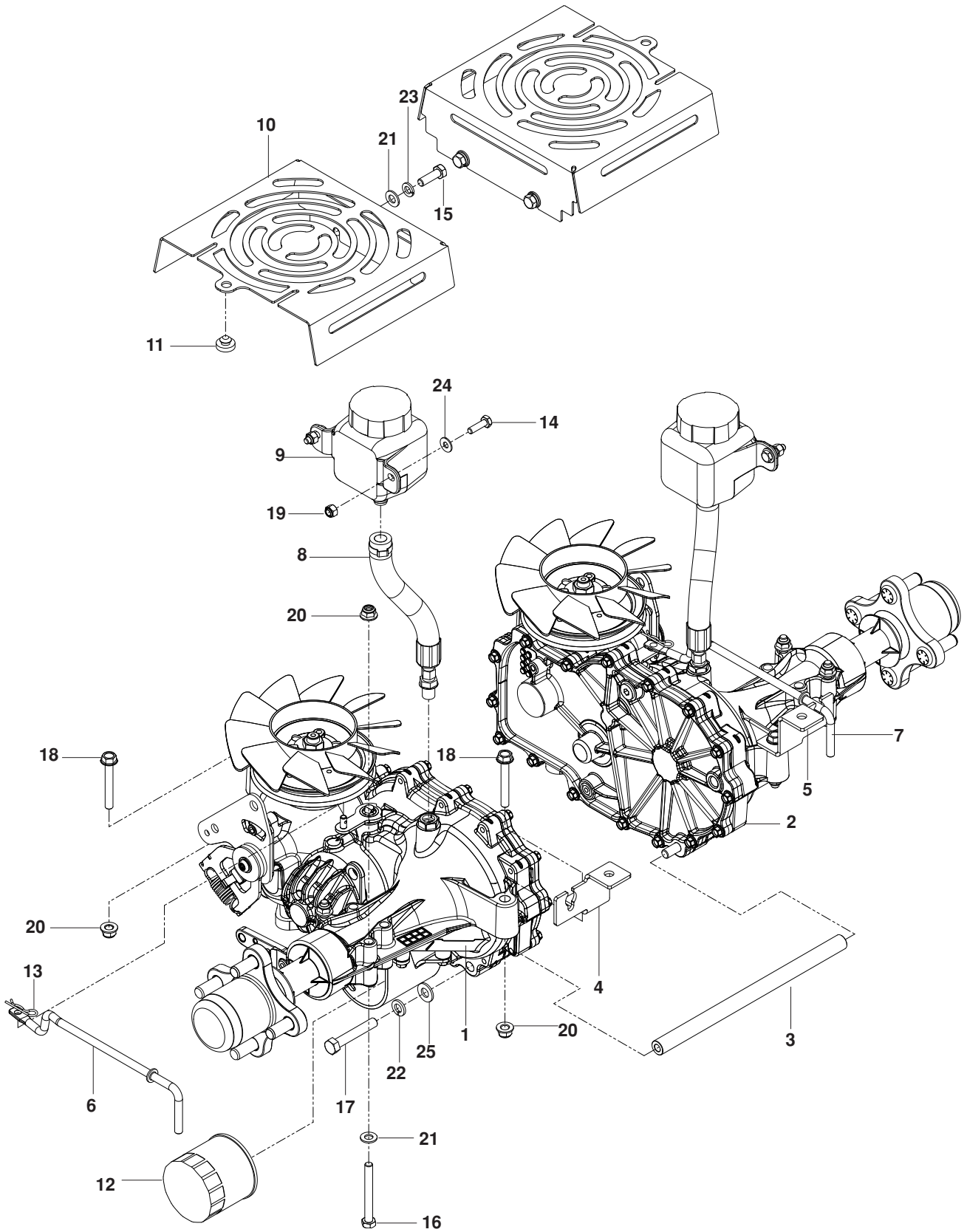
PARKING BRAKE



PARKING BRAKE

ITEM	PART NO.	QTY.	DESCRIPTION	ITEM	PART NO.	QTY.	DESCRIPTION
1..	575 230201....	2 SPRING, RETURN	20..	539 990209....	1 HCS $\frac{5}{16}$ -18 x 1
2..	575 230301....	2 SPRING, ENGAGEMENT	21..	539 990645....	2 RHSNB $\frac{3}{8}$ -16 x 1
3..	575 229602....	1 BRACKET, RT	22..	539 990316....	1 RHSNB $\frac{5}{16}$ -18 x $\frac{3}{4}$
4..	575 229702....	1 BRACKET, LT	23..	539 990563....	2 BOLT $\frac{3}{8}$ -16 x 1 HEX
5..	539 132173....	1 CABLE, BRAKE, SHORT	24..	539 110303....	2 BOLT $\frac{5}{16}$ SHOULDER
6..	539 132174....	2 CABLE, BRAKE, LONG	25..	539 107475....	1 BOLT $\frac{5}{16}$ -18 x $\frac{3}{4}$ THD FRM
7..	539 104763....	3 RETAINER, U TYPE $\frac{5}{16}$ -18	26..	521 996501....	2 NUT $\frac{3}{8}$ -16 HEX FLG NYLOC
8..	539 132151....	1 ARM, BRAKE	27..	539 200282....	2 NUT $\frac{3}{8}$ -16 HEX JAM NYLOC
9..	539 132158....	1 MOUNT, BRAKE	28..	539 990717....	1 NUT $\frac{5}{16}$ -18 HEX NYLOC
10..	539 132161....	4 BUSHING, BRAKE	29..	539 990585....	5 NUT $\frac{5}{16}$ -18 HEX WHIZLK
11..	539 132154....	1 ACTUATOR, SWITCH	30..	539 107897....	2 NUT $\frac{5}{16}$ -18 JAM
12..	539 132423....	1 LEVER, BRAKE	31..	539 976978....	4 NUT $\frac{1}{4}$ -20 HEX NYLOC
13..	539 132153....	1 BELLCRANK, BRAKE	32..	539 112899....	2 NUT $\frac{5}{16}$ -18 HEX FLANGE NYL
14..	539 132424....	1 LINKAGE, BRAKE	33..	539 115617....	2 NUT $\frac{5}{16}$ HEX NYLOC
15..	539 105036....	1 GRIP, BRAKE HANDLE	34..	539 990055....	4 WASHER $\frac{1}{4}$ FLAT SAE
16..	575 229802....	2 BRACKET, BRAKE	35..	539 133007....	2 WASHER .825 WAVE
17..	539 131780....	1 HHFS $\frac{5}{16}$ -18 x $3\frac{3}{4}$	36..	539 109554....	1 WASHER $\frac{1}{2}$ FLAT
18..	539 108396....	1 HCS $\frac{5}{16}$ -18 x $2\frac{1}{2}$ TPBLT	37..	539 990122....	2 WASHER $\frac{3}{8}$ SAE
19..	539 990643....	4 HCS $\frac{1}{4}$ -20 x $\frac{7}{8}$	38..	505 280001....	2 TIE w/ CLIP

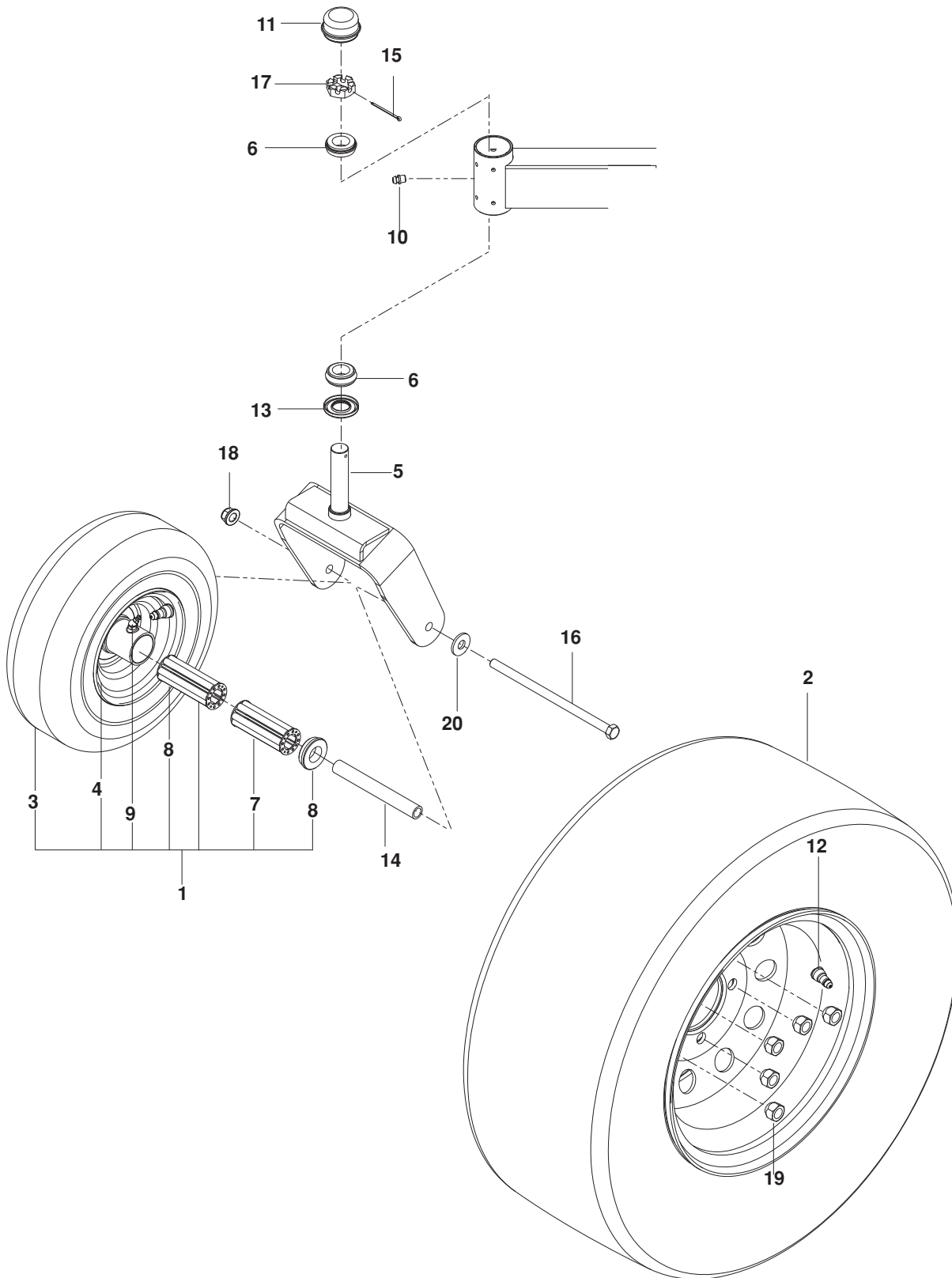
HYDRAULIC PUMP-MOTOR



HYDRAULIC PUMP-MOTOR

ITEM	PART NO.	QTY.	DESCRIPTION	ITEM	PART NO.	QTY.	DESCRIPTION
1..	574 569101....	1 TRANS, ZT-3400, LT	14..	539 990643....	4 HCS 1/4-20 x 7/8
2..	574 569102....	1 TRANS, ZT-3400, RT	15..	539 990209....	4 HCS 5/16-18 x 1
3..	574 868501....	1 TUBE, SPACER, 3400	16..	539 101721....	4 HCS 5/16-18 x 2 3/4
4..	575 017102....	1 BRACKET, TRANS, LT	17..	539 108551....	2 HCS 3/8-16 x 2 1/2 GR8
5..	575 017002....	1 BRACKET, TRANS, RT	18..	574 233801....	4 HHFS 5/16-18 x 2 1/4
6..	539 131616....	1 LINKAGE, LEFT BYPASS	19..	539 976978....	4 NUT 1/4-20 HEX NYLOC
7..	539 131618....	1 LINKAGE, RIGHT BYPASS	20..	539 112899....	8 NUT 5/16-18 HEX FLANGE NYL
8..	574 892101....	2 HOSE, EXPANSION	21..	539 990188....	8 WASHER 5/16 SAE FLAT
9..	574 811301....	2 TANK, EXPANSION	22..	539 990118....	2 WASHER 3/8 SPLT LK
10..	575 778202....	2 COVER, FAN	23..	539 990187....	4 WASHER 5/16 SLW
11..	539 102587....	2 BUMPER	24..	539 990055....	4 WASHER 1/4 FLAT SAE
12..	539 113466....	2 FILTER, HYDRO	25..	539 990122....	2 WASHER 3/8 SAE FLT
13..	539 976988....	2 HAIRPIN COTTER				

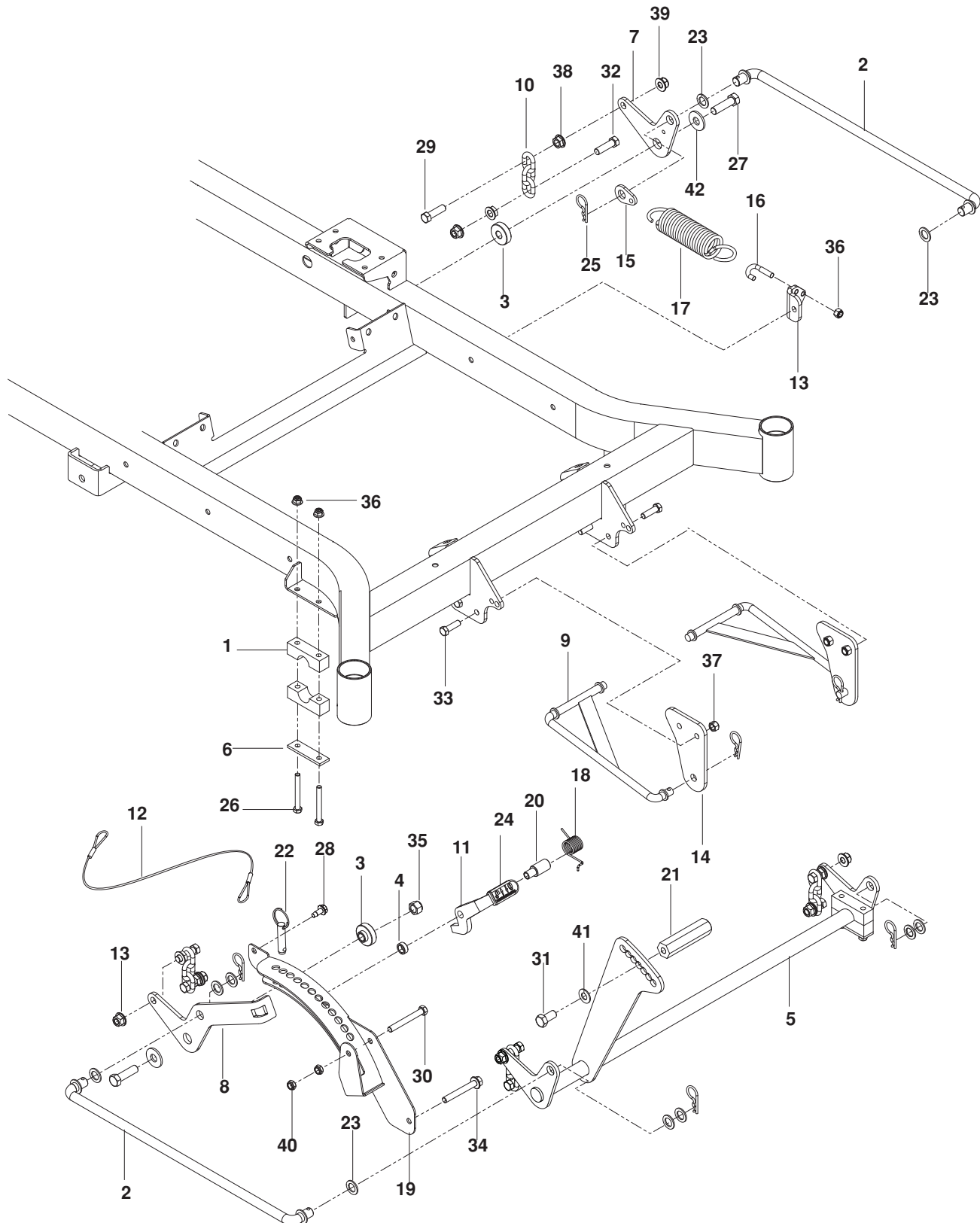
WHEELS



WHEELS

ITEM	PART NO.	QTY.	DESCRIPTION	ITEM	PART NO.	QTY.	DESCRIPTION
1..	575 348701....2	WHEEL ASSY 13 x 6.5	11..	539 102535....2	CAP, GREASE
2..	521 964101....2	WHEEL ASSY, 23 x 9.5-12	12..	539 912234....4	AIR VALVE
3..	575 622201....2	TIRE, 13 x 6.5	13..	539 102851....2	SEAL
4..	575 622101....2	RIM, CASTER TIRE	14..	575 334901....2	SPACER, PIVOT
5..	575 329202....2	YOKE, CASTER ORG	15..	539 102889....2	COTTER PIN 1/8 x 2
6..	539 102543....4	BEARING	16..	539 105517....2	HCS 1/2-13 x 9 1/2
7..	539 105307....4	BEARING 3/4 CAGE	17..	539 102852....2	NUT 1-14 SLOTTED JAM
8..	539 102484....4	BEARING, FLANGED	18..	521 991101....2	NUT 1/2-13 HEX FLG NYLOC
9..	539 103300....2	ZERK	19..	539 101173..10	NUT 1/2-20 LUG
10..	539 101474....2	ZERK	20..	539 109554....2	WASHER 1/2 FLAT

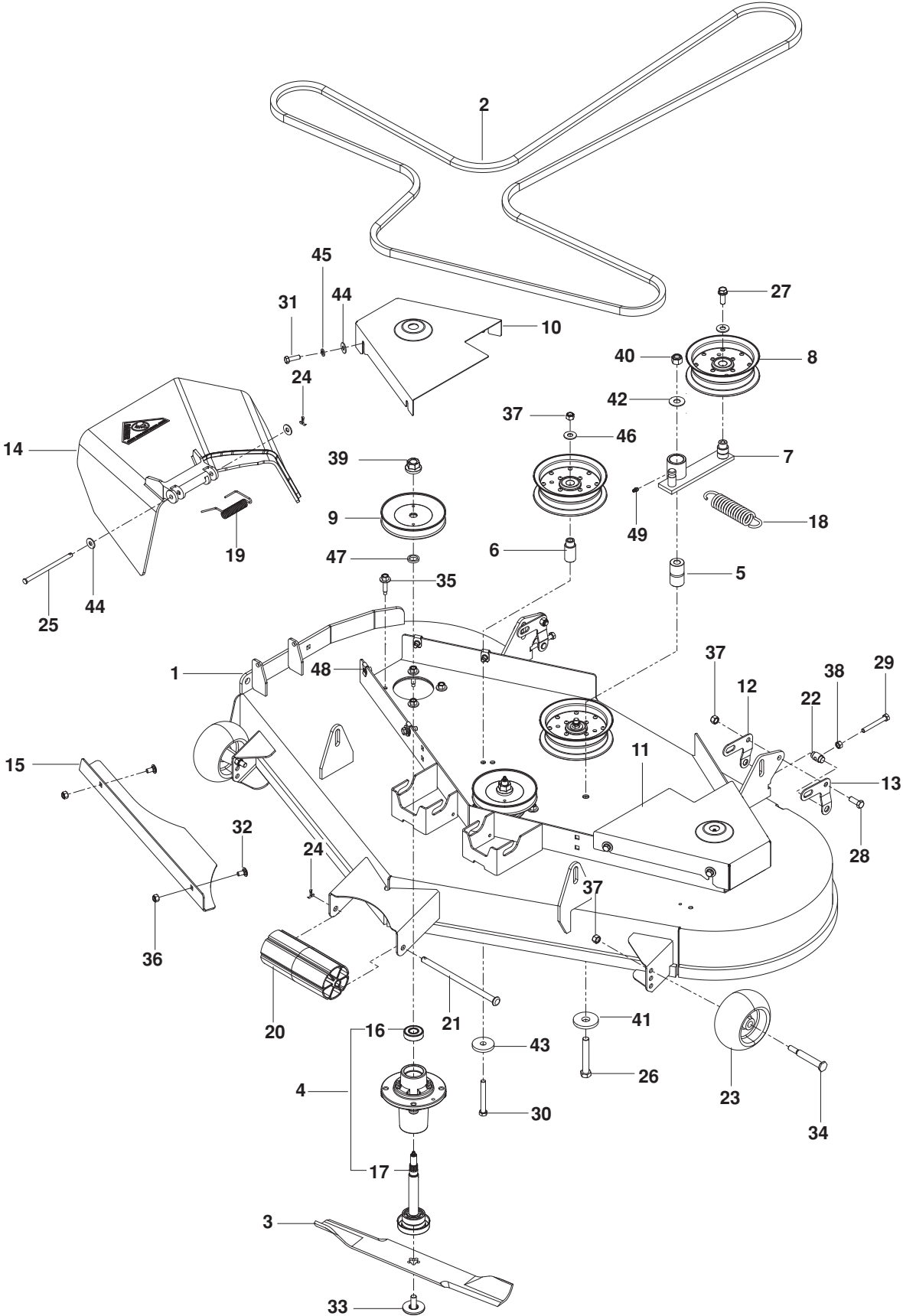
MOWER LIFT / DECK LIFT



MOWER LIFT / DECK LIFT

ITEM	PART NO.	QTY.	DESCRIPTION	ITEM	PART NO.	QTY.	DESCRIPTION
1..	539 104808....4	PILLOW BLOCK	22..	539 132182....1	PIN 1/2 x 1 1/2 DETENT RING
2..	539 110808....2	LINK, DECK LIFT	23..	539 991043..10	BUSHING .625
3..	539 118937....2	SPACER, IDLER	24..	539 132851....1	GRIP
4..	539 131861....1	SPACER	25..	539 115501....6	PIN, COTTER 1 3/4
5..	539 131509....1	SHAFT, FRONT LIFT	26..	539 101721....4	HCS 5/16-18 x 2 3/4
6..	539 104807....2	REINFORCEMENT BAR	27..	539 108181....2	HCS 1/2-13 x 1 3/4 GR 8
7..	539 131897....1	BELLCRANK, RR, LIFT	28..	539 107475....1	BOLT 5/16-18 x 3/4 THD FRM
8..	539 131853....1	BELLCRANK, RR, RT	29..	539 101175....4	HCS 7/16-14 x 1 1/2
9..	539 112223....2	LINKAGE, STRUT	30..	539 101341....1	HCS 3/8-16 x 3
10..	539 109693....4	LIFT CHAIN-3 LINK	31..	539 990646....1	HCS 1/2-13 x 1 3/4
11..	539 131566....1	LATCH, TRANSPORT	32..	539 108073....4	HCS 7/16-14 x 1 3/4
12..	539 105059....1	LANYARD	33..	539 976941....4	HCS 3/8-16 X 1 1/4
13..	539 131791....1	MOUNT, SPRING	34..	539 131781....1	HHFS 3/8-16 x 2 3/4
14..	539 132017....2	MOUNT, STRUT	35..	539 101331....2	NUT 1/2 HEX NYLOC
15..	539 131792....1	TAB, SPRING	36..	539 112899....5	NUT 5/16-18 HEX FLANGE NYL
16..	539 112896....1	J-BOLT	37..	539 976979....4	NUT 3/8-16 HEX NYLOC
17..	539 102642....1	SPRING	38..	539 102582....8	NUT 7/16-14 HEX WHIZ LK
18..	539 132734....1	SPRING, TORSION	39..	539 132019....8	NUT 7/16-14 HEX WHIZ LK
19..	539 131850....1	HEIGHT ADJUST, DECK	40..	539 200282....2	NUT 3/8-16 HEX JAM NYLOC
20..	539 131860....1	PIVOT LATCH, TRANSPORT	41..	539 102843....1	WASHER 7/16 SPRING
21..	539 131556....1	PEDAL, FOOT	42..	539 109554....2	WASHER 1/2 FLAT

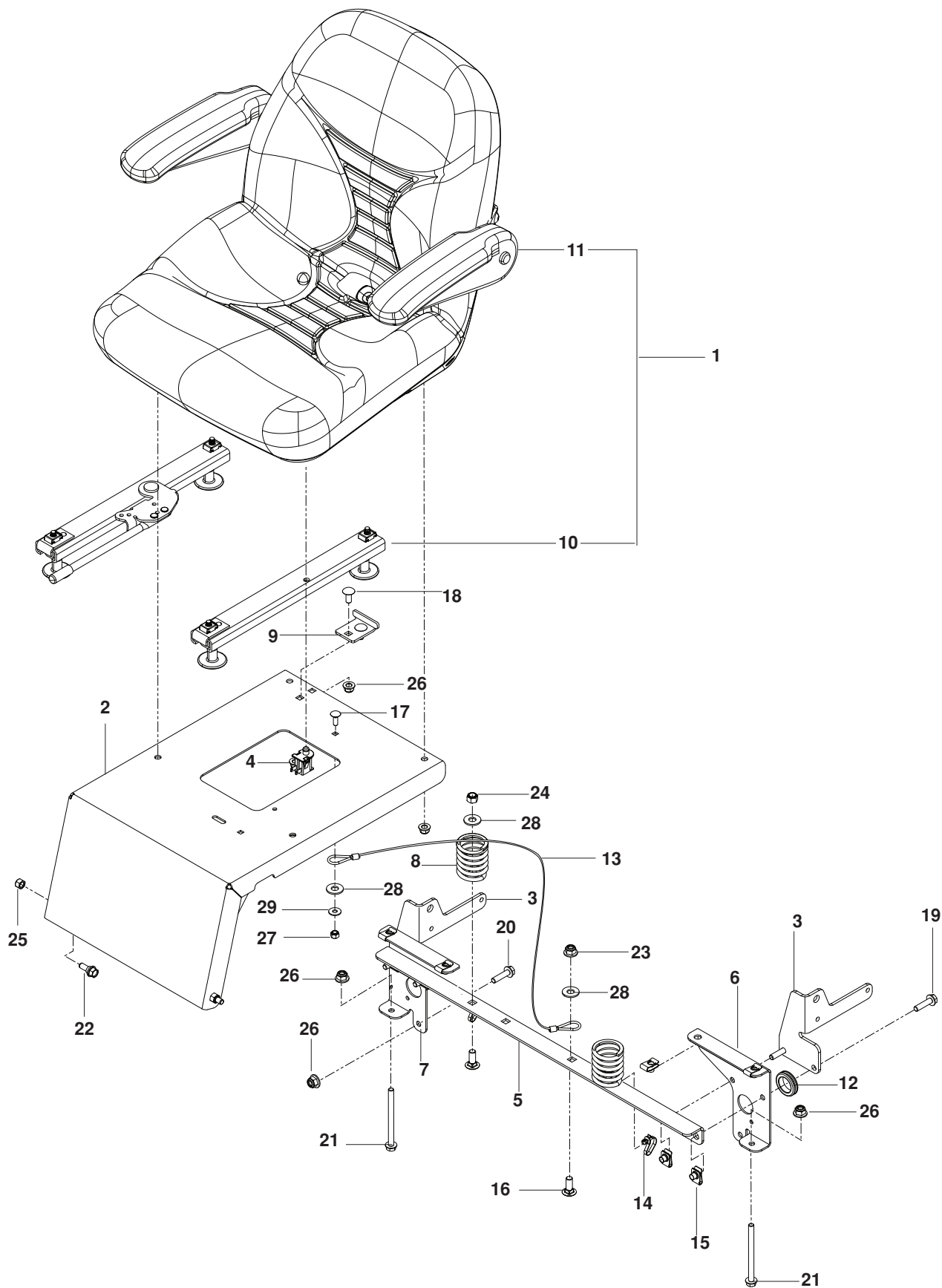
MOWER DECK / CUTTING DECK



MOWER DECK / CUTTING DECK

ITEM	PART NO.	QTY.	DESCRIPTION	ITEM	PART NO.	QTY.	DESCRIPTION
1..	539 132746....	1 DECK w/ SAFETY DECALS	26..	539 103433....	1 HCS 1/2-13 x 3 1/4
2..	522 811301....	1 BELT, DECK	27..	539 990582....	1 HCS 3/8-16 x 1 WHIZLK
3..	539 112079....	3 BLADE, 18"	28..	539 990563....	2 HCS 3/8-16 x 1
4..	539 112170....	3 HOUSING ASSY	29..	539 108396....	2 HCS 5/16-18 x 2 1/2 TPBLT
5..	539 103427....	1 BUSHING, PIVOT	30..	539 101341....	2 HCS 3/8-16 x 3
6..	539 112169....	2 BUSHING, IDLER	31..	539 976934....	8 HCS 5/16-18 x 3/4
7..	539 112198....	1 ARM, IDLER	32..	539 990799....	3 RHSNB 5/16-18 x 5/8
8..	539 132728....	3 PULLEY, IDLER	33..	539 107522....	3 BOLT 7/16 BLADE
9..	539 112171....	3 PULLEY	34..	539 107608....	2 BOLT, SHOULDER
10..	539 112242....	1 BELT SHIELD, RH	35..	539 107630..	12 SCREW 5/16-18 WASHER HD
11..	539 112244....	1 BELT SHIELD, LH	36..	539 990717....	3 NUT 5/16-18 HEX NYLOC
12..	539 131857....	2 PITCH, ADJUST, RH	37..	539 976979....	6 NUT 3/8-16 HEX NYLOC
13..	539 131858....	2 PITCH, ADJUST, LH	38..	539 990196....	2 NUT 5/16-18 HEX
14..	539 110733....	1 DISCHARGE CHUTE 52	39..	539 107590....	3 NUT 9/16 TOP CENTER LOCK
15..	539 112417....	1 PLATE, CONFINEMENT	40..	539 101331....	1 NUT 1/2 HEX NYLOC
16..	539 112050....	3 BALL BEARING	41..	539 102243....	1 WASHER, SUPPORT
17..	539 112056....	1 SHAFT	42..	539 990550....	1 WASHER 1/2 STD FLT
18..	539 103256....	1 SPRING	43..	539 106504....	2 WASHER, HEAVY
19..	539 110735....	1 SPRING, TORSION	44..	539 990692..	10 WASHER 5/16 STD FLT
20..	532 176066....	1 ROLLER, NOSE	45..	539 109600....	8 WASHER 5/16 SPRING
21..	532 179127....	1 ROD, ROLLER, NOSE	46..	539 990517....	2 WASHER 3/8 FLAT STD
22..	539 131859....	2 TRUNION, PITCH	47..	539 107520....	3 WASHER-SPACER
23..	539 107610....	2 WHEEL, GAUGE	48..	539 104763....	8 RETAINER, U TYPE 5/16-18
24..	539 990365....	2 PIN, COTTER 1/8 x 3/4	49..	539 976998....	1 ZERK
25..	539 110736....	1 PIN, CLEVIS 5/16				

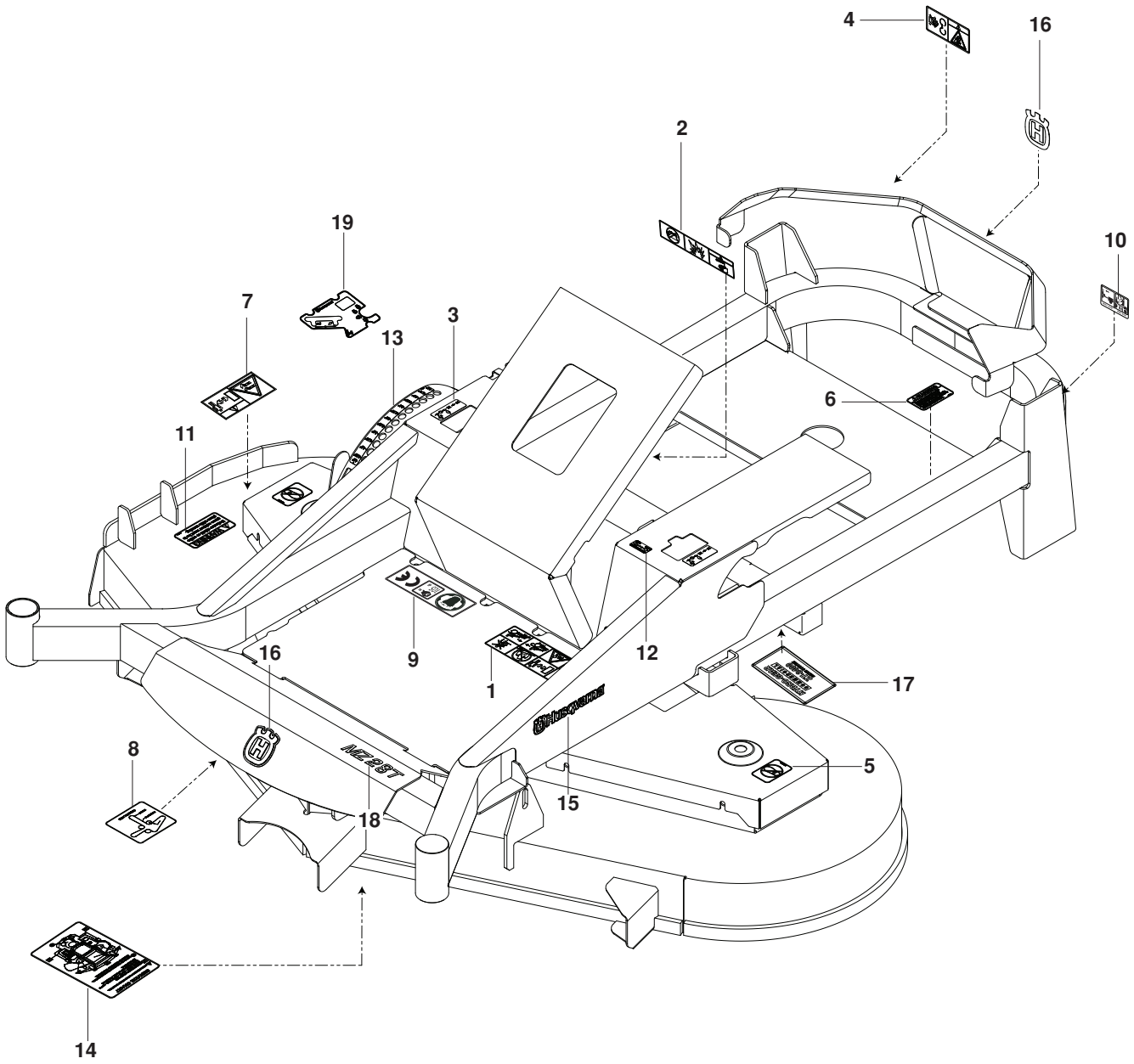
SEAT



SEAT

ITEM	PART NO.	QTY.	DESCRIPTION	ITEM	PART NO.	QTY.	DESCRIPTION
1..	539 130873....	1 SEAT ASSY	15..	539 104763....	8 RETAINER, U TYPE ⁵ / ₁₆ -18
2..	575 608601....	1 MOUNT, SEAT w/ DECAL	16..	539 990645....	3 RHSNB ³ / ₈ -16 x 1
3..	575 017402....	2 MOUNT, SEAT BELT	17..	539 990074....	1 RHSNB ¹ / ₄ -40 x ³ / ₄
4..	539 119741....	1 SWITCH, SEAT	18..	539 109100....	2 RHSNB ⁵ / ₁₆ -18 x ³ / ₄
5..	539 131656....	1 SUPPORT, SEAT	19..	525 544001....	4 HHFS ⁵ / ₁₆ -18 x 1 ¹ / ₄ TPBLT
6..	575 224102....	1 SUPPORT, LT	20..	525 464701....	2 HHFS ⁵ / ₁₆ -18 x ³ / ₄
7..	575 224002....	1 SUPPORT, RT	21..	539 131780....	2 HHFS ⁵ / ₁₆ -18 x 3 ³ / ₄
8..	539 110300....	2 SPRING, SEAT	22..	539 130896....	2 BOLT ⁵ / ₁₆ -18 SHOULDER
9..	539 130793....	1 DECK STOP	23..	521 996501....	1 NUT ³ / ₈ -16 HEX FLG NYLOC
10..	539 112037....	1 RAIL SET, SEAT	24..	539 976979....	2 NUT ³ / ₈ -16 HEX NYLOC
11..	539 112036....	1 ARM REST, LT	25..	539 990717....	2 NUT ⁵ / ₁₆ -18 HEX NYLOC
	539 112035....	1 ARM REST, RT	26..	539 112899..	10 NUT ⁵ / ₁₆ -18 HEX FLANGE NYL
12..	539 105974....	1 GROMMET RUBBER	27..	539 976978....	1 NUT ¹ / ₄ -20 HEX NYLOC
13..	539 103247....	1 LANYARD, SEAT	28..	539 990517....	4 WASHER ³ / ₈ FLAT STD
14..	505 280001....	2 TIE w/ CLIP	29..	539 990598....	1 WASHER ¹ / ₄ FLAT

DECALS



DECALS

ITEM	PART NO.	QTY.	DESCRIPTION	ITEM	PART NO.	QTY.	DESCRIPTION
1..	539 107959....	1DECAL, WARNING	11..	539 113224....	1DECAL, DEFLECTOR WARN
2..	539 105745....	1DECAL, BATTERY WARNING	12..	539 110974....	2DECAL, TRACKING
3..	539 103333....	2DECAL, MOTION CONTROL	13..	525 749701....	1DECAL, HEIGHT ADJUST
4..	539 105744....	1DECAL, DANGER BLT DRIVE	14..	539 132187....	1DECAL, SERVICE
5..	539 105743....	2DECAL, NO STEP	15..	532 429196....	2DECAL, HUSQVARNA
6..	539 101881....	1DECAL, EXHAUST WARNING	16..	532 428676....	2DECAL, CROWN H
7..	539 105746....	1DECAL, SEVERING	17..	574 815501....	1DECAL, HYDROGEAR
8..	539 112620....	1DECAL, BELT ROUTING	18..	521 988003....	1DECAL, MZ28T
9..	539 105829....	1DECAL, SOUND POWER	19..	574 841101....	1DECAL, CONTROL
10..	532 162598....	1DECAL, LOAD LIMITS				



115 39 50-27 Rev D

2012-01-16