

PZ29 CE

Spare parts

Ersatzteile

Pièces détachées

Reserve onderdelen

Repuestos

Reservdelar

When you need spare parts or support in service questions, warranty issues, etc., please consult the following professional:

This Parts Manual belongs to the machine with the manufacturing number:	Engine	Transmission

Manufacturing Number

The machine's manufacturing number can be found on the printed plate affixed to the engine compartment.

Stated on the plate, from the top are:

- The machine's type designation (I.D.).
- The manufacturer's type number (Model).
- The machine's serial number (Serial no.)

Please have the type designation and serial number available when ordering spare parts.

The engine's manufacturing number is stamped on one of the valve covers.

The plate states:

- The engine's model.
- The engine's type.
- Code

Please have these available when ordering spare parts.

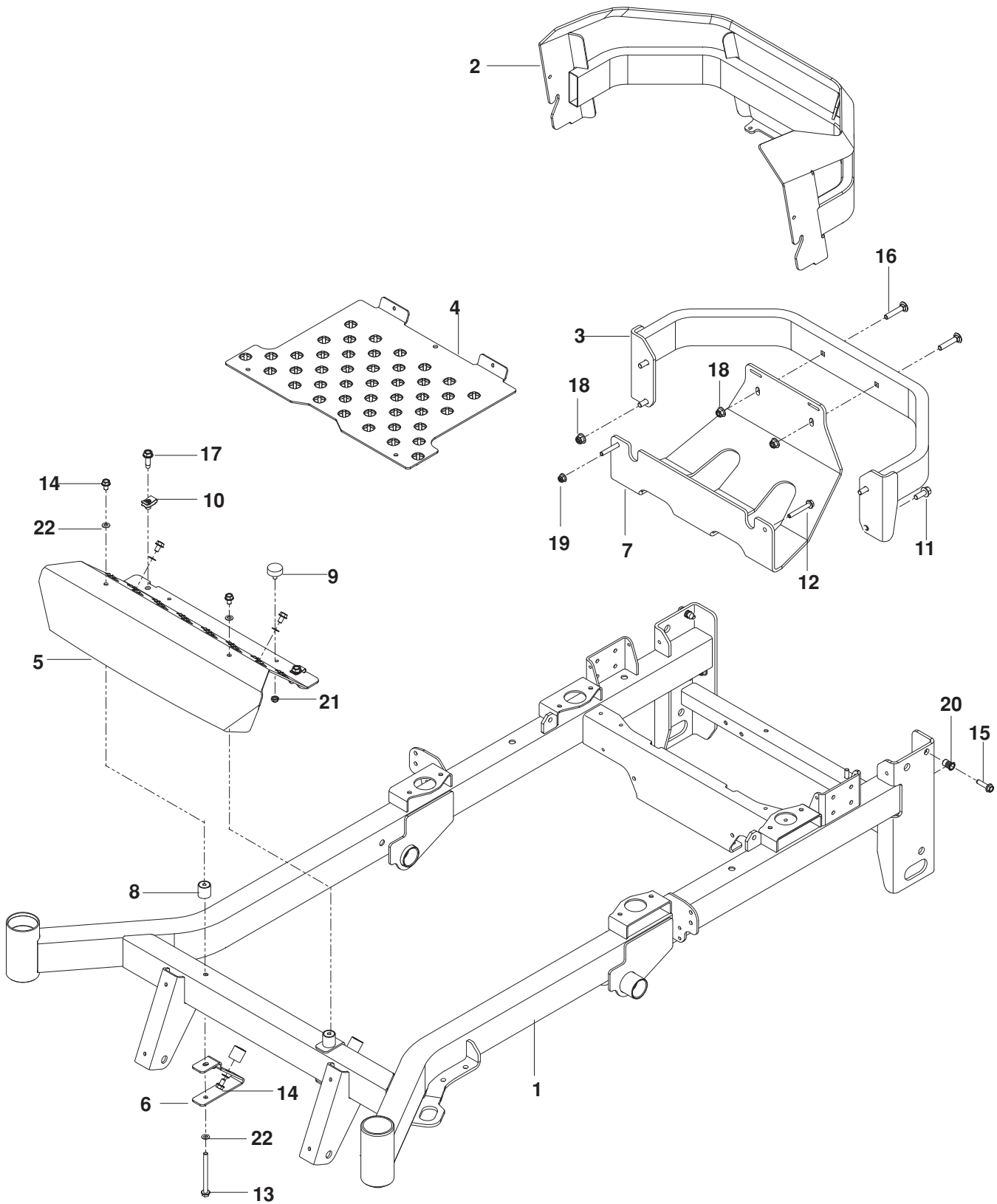
The wheel motors and hydrostatic pumps have a barcode decal affixed at the rear.

CONTENTS

FRAME.....	4
ENGINE PLATE.....	6
STEERING	8
IGNITION SYSTEM.....	10
PARKING BRAKE	12
HYDRAULIC PUMP-MOTOR.....	14
WHEELS AND TIRES	16
MOWER LIFT / DECK LIFT.....	18
MOWER DECK / CUTTING DECK	
FD54PZ \ 966555301	20
FD60PZ \ 966555302.....	22
CD61PZ \ 966555402.....	24
GUARDS	26
SEAT	28
DECALS	30
PROTECTION FRAME	32

NOTE: ALL FASTENERS ARE GRADE 5 UNLESS OTHERWISE SPECIFIED.

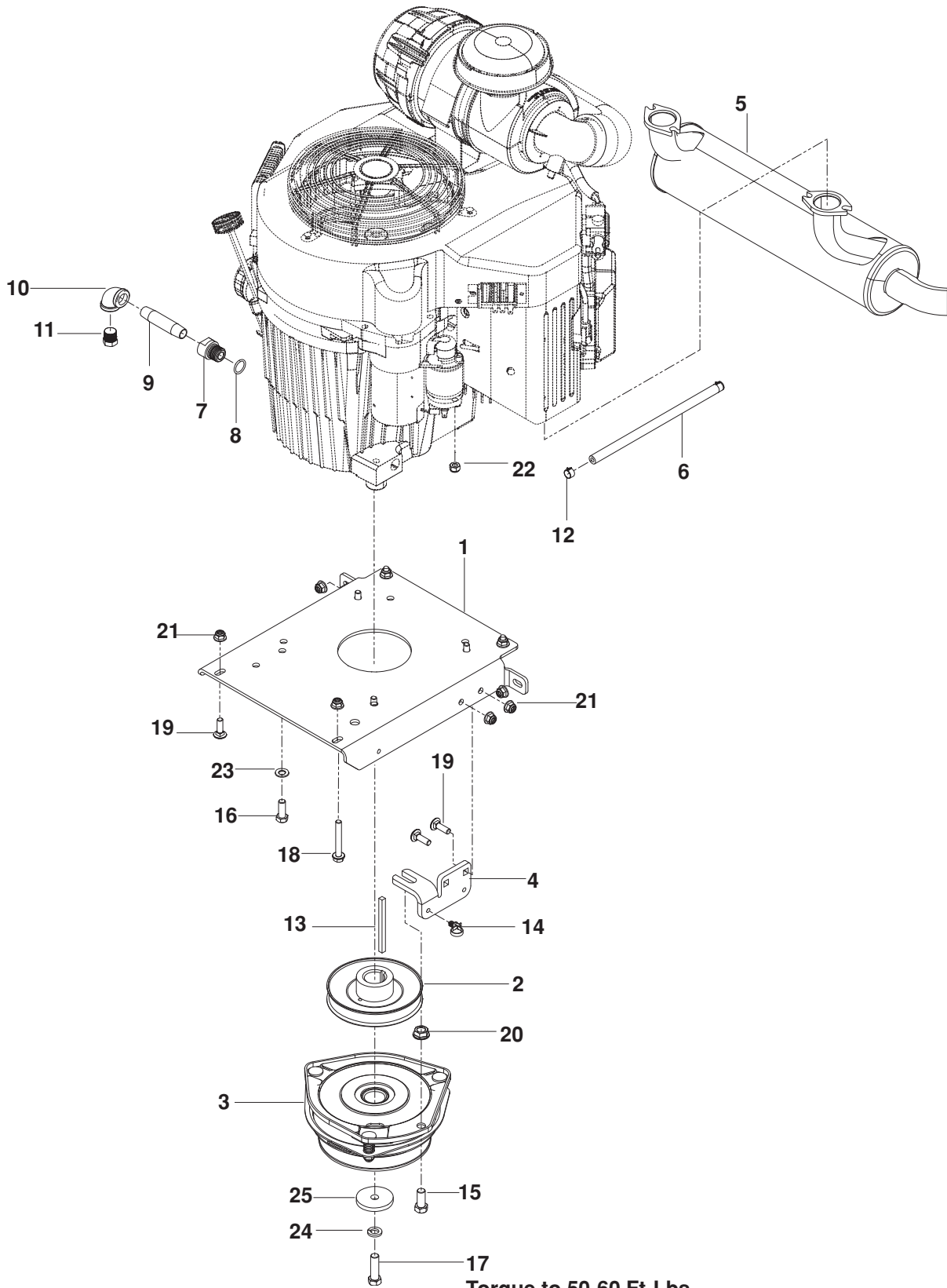
FRAME



FRAME

ITEM	PART NO.	QTY.	DESCRIPTION	ITEM	PART NO.	QTY.	DESCRIPTION
1..	574 482802....	1FRAME w/ SFTY DECALS	12..	574 233801....	2HHFS $\frac{5}{16}$ -18 x 2 $\frac{1}{4}$
2..	574 221602....	1GUARD, REAR ORG	13..	539 131780....	2HHFS $\frac{5}{16}$ -18 x 3 $\frac{3}{4}$
3..	522 675702....	1BUMPER, REAR ORG	14..	539 990858....	6SCREW $\frac{5}{16}$ -18 x $\frac{1}{2}$ SLF TAP
4..	574 215602....	1FLOORPAN	15..	525 544001....	2SCREW $\frac{5}{16}$ -18 x 1 $\frac{1}{4}$ TPBLT
5..	574 215702....	1FOOTREST	16..	539 100145....	2RHSNB $\frac{3}{8}$ -16 x 2
6..	510 040301....	2BRACKET, REST MOUNT	17..	539 113226....	2BOLT $\frac{5}{16}$ -18 x 1 THD FRM
7..	574 228602....	1PLATE, SKID	18..	521 996501....	7NUT $\frac{3}{8}$ -16 HEX FLG NYLOC
8..	510 083201....	4MOUNT, F/F INSERT	19..	539 112899....	2NUT $\frac{5}{16}$ -18 HEX FLG NYLOC
9..	575 811501....	2BUMPER $\frac{1}{4}$ -20 STUD $\frac{3}{8}$	20..	539 111028....	2NUTSERT $\frac{5}{16}$ -18
10..	539 104763....	1RETAINER, U TYPE	21..	539 108120....	2NUT $\frac{1}{4}$ -20 HEX THIN NYLOC
11..	525 612801....	4HHFS $\frac{3}{8}$ -16 x 1 HEX FLG	22..	539 109600....	8WASHER $\frac{5}{16}$ DISC SPRING

ENGINE PLATE



Torque to 50-60 Ft-Lbs

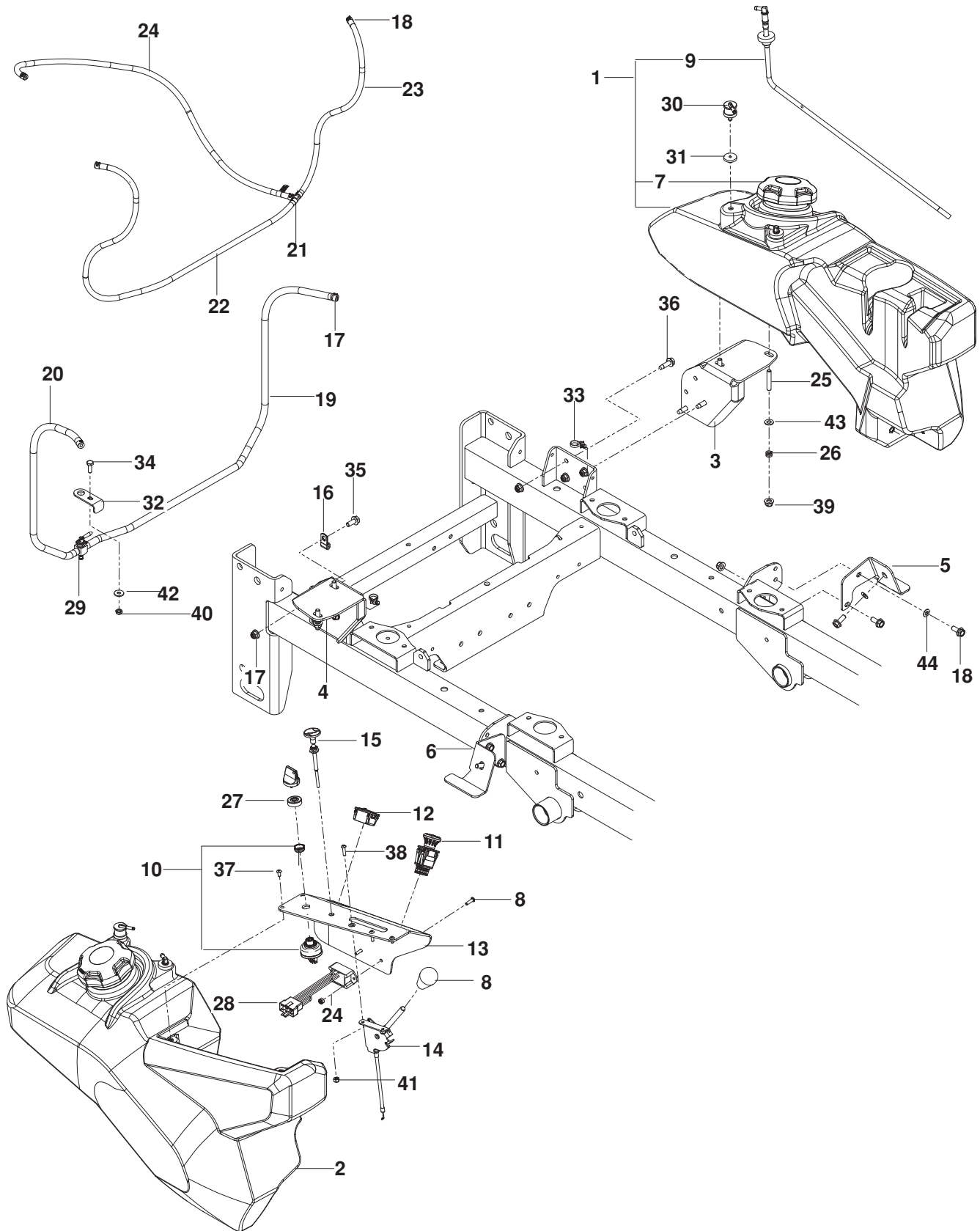
ENGINE PLATE

ITEM	PART NO.	QTY.	DESCRIPTION	ITEM	PART NO.	QTY.	DESCRIPTION
1..	510 004602....	1 PLATE, ENGINE	15..	539 100143....	1 HCS 7/16-14 x 1 HEX NYL
2..	510 019801....	1 PULLEY, ENGINE	16..	539 990563....	4 HCS 3/8-16 x 1 HEX NYL
3..	525 749501....	1 CLUTCH, GT 3.5	17..	539 100141....	1 HCS 7/16-20 x 1 1/2 HEX NYL
4..	522 676702....	1 STOP, CLUTCH	18..	574 233801....	3 HHFS 5/16-18 x 2 1/4
5..	525 750301....	1 MUFFLER	19..	539 990208....	3 RHSNB 5/16-18 x 1
6..	539 932956....	1 FUEL LINE 10"	20..	539 102582....	1 NUT 7/16-14 HEX WHIZ LK
7..	539 119680....	1 ADAPTOR, OIL DRAIN	21..	539 112899....	8 NUT 5/16-18 HEX FLG NYLOC
8..	539 109618....	1 O-RING	22..	539 103153....	1 NUT M8X1.25 NYLOC
9..	539 118911....	1 PIPE 3/8 NPT x 3"	23..	539 102593....	4 WASHER 3/8 SPRING
10..	539 105072....	1 ELBOW 90°	24..	539 990247....	1 WASHER 7/16 SLW
11..	522 837001....	1 PLUG, DRAIN 3/8 NPTF	25..	539 125626....	1 WASHER, BLADE
12..	539 912222....	2 CLAMP, HOSE	NOT SHOWN			
13..	525 749901....	1 KEY 1/4 SQ x 3 1/2	525 554201....	1 ENGINE HARNESS, KAW	
14..	505 280001....	1 TIE WRAP w/ CLIP				

STEERING

ITEM	PART NO.	QTY.	DESCRIPTION	ITEM	PART NO.	QTY.	DESCRIPTION
1..	577 327702....	1FRAME MOUNT ORG	34..	510 064001....	2J HOOK
2..	539 104763....	4RETAINER, U TYPE	35..	510 082101....	4MOUNT, ISO
3..	539 113792....	1SWITCH, BRAKE (3-POLE)	36..	539 976977....	2NUT 10-24 HEX NYLOC
4..	516 020301....	2DAMPENER ASSY	37..	539 111897....	4WASHER, SPECIAL
5..	539 131518....	4BEARING, FLANGE	38..	539 109149....	2TURNBUCKLE
6..	577 251701....	2BRACKET, CONTROL	39..	539 105974....	1GROMMET
7..	532 109553....	2SWITCH N.C.	40..	539 976988....	4HAIRPIN COTTER
8..	574 269401....	2LEVER, MOTION	41..	574 822701....	6SCREW 10-24 x 3/4 SKT HD
9..	577 042403....	1LEVER w/ GRIP RT	42..	576 850402....	2SCREW 5/16-18 x 1 3/4 BTN HD
10..	577 042303....	1LEVER w/ GRIP LT	43..	525 612801....	4SCREW 3/8-16 x 1 HEX FLG
11..	576 140302....	2LEVER, CONTROL	44..	539 990627....	1BOLT 5/16-18 x 1 1/4 HEX TPBLT
12..	539 131749....	1ROD END, SPHERICAL	45..	525 866201....	4HHFS 3/8-16 x 2
13..	539 131799....	1KNOB	46..	525 464701....	20HHFS 5/16-18 x 3/4
14..	539 102845....	1SPRING	47..	539 101332....	2HHFS 1/2-13 x 2 3/4 HEX NYLOC
15..	539 020035....	1SPRING	48..	539 990074....	1RHSNB 1/4-20 x 3/4 GR2
16..	576 850301....	1SPRING	49..	539 990316....	4RHSNB 5/16-18 x 3/4
17..	577 252401....	2SPACER, PIVOT	50..	539 913847....	2RETAINER NUT 3/8
18..	511 594901....	1BUSHING 1/4 FLANGE	51..	539 127046....	1HEXNUT M8 x 1.25 STD
19..	574 235301....	1LOOM, SPLIT, 5/8	52..	539 102234....	1PUSH NUT 1/4
20..	522 718701....	1CABLE, POSITIVE	53..	539 990997....	2WINGNUT 1/4-20 NYLOC
21..	522 710701....	1CABLE, NEGATIVE	54..	539 108120....	4NUT 1/4-20 HEX THIN NYLOC
22..	539 102759....	2INSULATOR	55..	539 108010....	2NUT 1/2-13 HEX JAM NYLOC
23..	511 595001....	1LINK, SWITCH	56..	539 990717....	2NUT 5/16-18 HEX NYLOC
24..	539 110607....	2BALL STUD 10MM	57..	521 996501....	4NUT 3/8-16 HEX FLG NYLOC
25..	539 130894....	2GRIP, LEVER	58..	539 108732....	4NUT 3/8-24 HEX JAM
26..	578 811501....	2BUMPER	59..	539 112899..	12NUT 5/16-18 HEX FLG NYLOC
27..	539 102678....	1PLATE, TAPPED	60..	539 990187....	2WASHER 5/16 SLW
28..	577 265801....	2BRACKET, DAMPENER	61..	539 990188....	4WASHER 5/16 SAE FLAT
29..	525 447901....	1SEAT STRUT ASSY	62..	539 990122....	4WASHER 3/8 SAE FLT
30..	510 029902....	1BRACKET, BATTERY BLK	NOT SHOWN			
31..	539 102436....	1BATTERY	510 093601....	1HARNES, WIRING	
32..	510 030001....	1BRACKET, BATTERY MOUNT				
33..	577 251801....	2BLOCK, TRACKING				

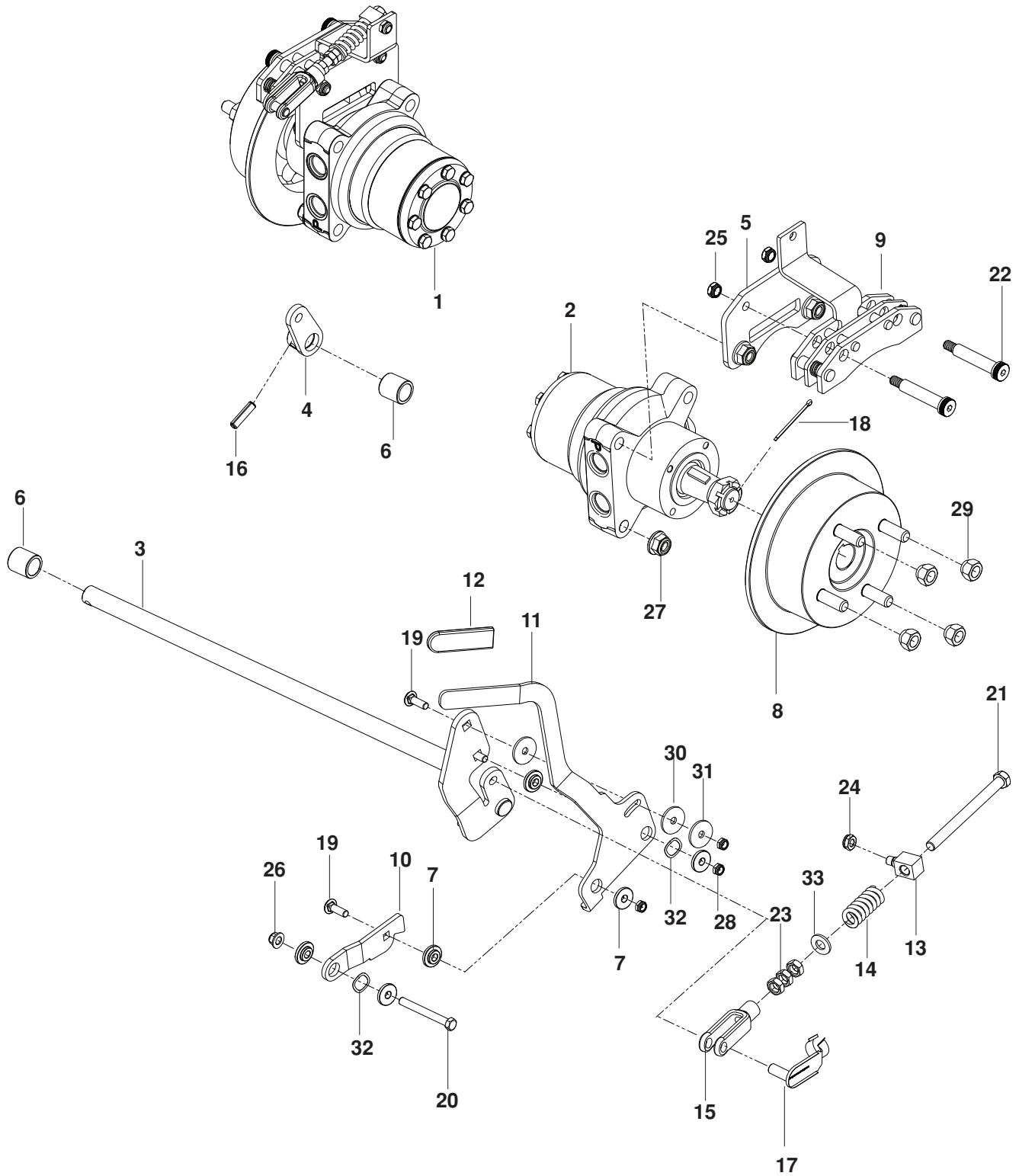
IGNITION SYSTEM



IGNITION SYSTEM

ITEM	PART NO.	QTY.	DESCRIPTION	ITEM	PART NO.	QTY.	DESCRIPTION
1..	576 369102....	1	TANK ASSY LT	25..	539 102502....	4	STUD
2..	576 369202....	1	TANK ASSY RT	26..	539 102845....	4	SPRING, TANK MOUNT
3..	529 279703....	1	MOUNT, LT TANK, BLK	27..	539 103178....	1	CAP NUT, IGNITION SWITCH
4..	529 279603....	1	MOUNT, RT TANK, BLK	28..	574 514001....	1	TIMER, SEAT
5..	529 280003....	1	MOUNT, TANK, LT BLK	29..	539 102679....	1	VALVE, FUEL
6..	529 279903....	1	MOUNT, TANK, RT BLK	30..	576 618101....	2	VALVE, FUEL CHECK
7..	575 018101....	2	FUEL CAP w/ TETHER	31..	576 618201....	2	GROMMET, CHECK VALVE
8..	539 132624....	1	KNOB, SHIFT	32..	577 104002....	1	BRACKET, VALVE, BLK
9..	525 865401....	2	FITTING, FUEL	33..	505 280001....	2	TIE WRAP w/ CLIP
10..	574 455401....	1	SWITCH, IGNITION, INDAK	34..	539 990580....	1	HCS 1/4-20 x 3/4
11..	539 131627....	1	SWITCH, PTO 10 AMP	35..	525 464701....	7	HHFS 5/16-18 x 3/4
12..	576 179401....	1	HOUR METER	36..	539 113226....	6	BOLT 5/16-18 x 1 THD FRM
13..	529 280202....	1	PANEL, CONTROL, GAS	37..	539 114341....	3	SCREW 10-24 x 3/8 SKT HD
14..	574 207001....	1	CABLE, THROTTLE	38..	574 822701....	4	SCREW 10-24 x 3/4 SKT HD
15..	574 206901....	1	CABLE, CHOKE	39..	539 112899..	13	NUT 5/16-18 FLANGE NYLOC
16..	539 109867....	1	CLAMP, DOUBLE TUBE	40..	539 108120....	1	NUT 1/4-20 HEX THIN NYLOC
17..	539 912222....	4	CLAMP, HOSE	41..	539 976977....	4	NUT 10-24 HEX NYLOC
18..	575 436501....	6	CLAMP, HOSE	42..	539 990598....	1	WASHER 1/4 FLAT
19..	577 103901....	1	LINE, FUEL 22"	43..	539 990188....	4	WASHER 5/16 SAE FLAT
20..	577 103902....	1	LINE, FUEL, 38"	44..	539 109600....	4	WASHER 5/16 DISC SPRING
21..	574 206602....	1	TEE, FUEL LINE, 3/16"	NOT SHOWN			
22..	576 660601....	1	HOSE 3/16" VAPOR 39"	574 455501....	1	KEY, IGNITION	
23..	576 660603....	1	HOSE 3/16" VAPOR 21"				
24..	576 660604....	1	HOSE 3/16" VAPOR 30"				

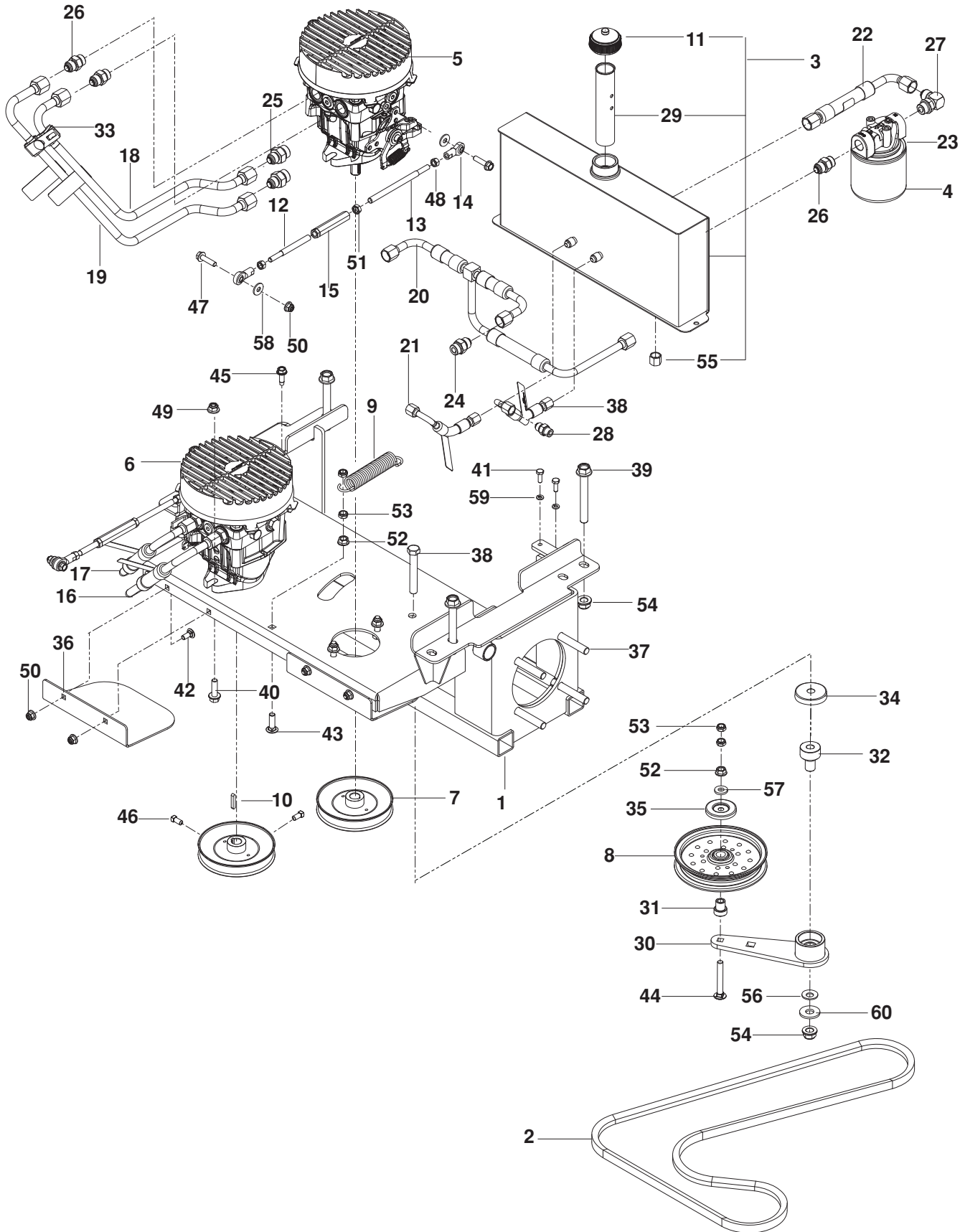
PARKING BRAKE



PARKING BRAKE

ITEM	PART NO.	QTY.	DESCRIPTION	ITEM	PART NO.	QTY.	DESCRIPTION
1..	575 224601....	1	MOTOR, RT	18..	539 102889....	2	COTTER PIN 1/8 x 2
2..	539 110823....	1	MOTOR, LT	19..	539 100413....	3	RHSNB 3/8-16 x 1 1/4
3..	525 851201....	1	SHAFT, BRAKE	20..	539 923463....	1	HHCS 3/8-16 x 3/4 HEX
4..	510 025901....	1	ARM, RT BRAKE	21..	539 104984....	1	HCS 3/8-24 x 4 1/2 HEX
5..	525 851601....	1	PLATE, CALIPER	22..	516 035501....	4	BOLT 1/2 x 2 1/4, 3/8-16 SHLDR
6..	510 089201....	2	BUSHING, SLEEVE 3/4 x 1	23..	539 108732....	3	NUT 3/8-24 HEX JAM
7..	539 132161....	6	BUSHING, BRAKE	24..	539 115617....	1	NUT 5/16-18 HEX NYLOC INS
8..	525 848701....	2	HUB, BRAKE w/ STUDS	25..	539 200282....	6	NUT 3/8-16 HEX JAM NYLOC
9..	539 133047....	2	CALIPER	26..	521 996501....	1	NUT 3/8-16 HEX FLG NYLOC
10..	515 980301....	1	LINK, FOLLOWER	27..	521 991101....	8	NUT 1/2-13 HEX FLG NYLOC
11..	515 980002....	1	LEVER, BRAKE	28..	539 200282....	3	NUT 3/8-16 HEX JAM NYLOC
12..	539 976526....	1	GRIP, LEVER	29..	539 101173....	8	LUG NUT 1/2
13..	525 851401....	1	SWIVEL, BRAKE	30..	525 490901....	3	WASHER, FRICTION
14..	539 113952....	1	SPRING	31..	539 912063....	1	WASHER, CONE
15..	539 977465....	1	YOKE	32..	539 133007....	2	WASHER, WAVE
16..	539 110631....	1	ROLL PIN 5/16" DIA.	33..	539 990122....	1	WASHER 3/8 SAE FLT
17..	522 705901....	1	PIN 3/8 CLEVIS SPRING				

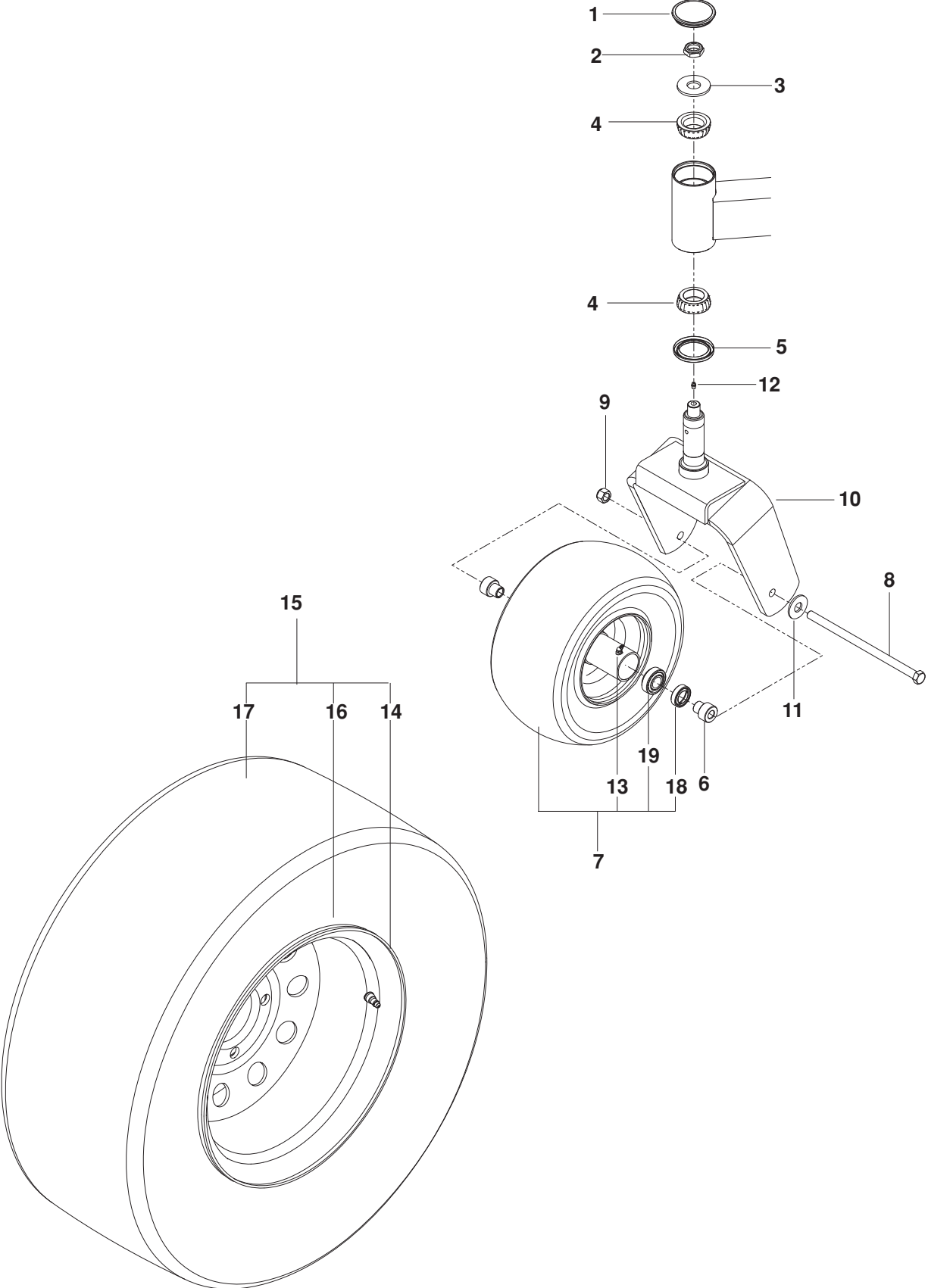
HYDRAULIC PUMP-MOTOR



HYDRAULIC PUMP-MOTOR

ITEM	PART NO.	QTY.	DESCRIPTION	ITEM	PART NO.	QTY.	DESCRIPTION
1..	506 007902....	1FRAME, SUB	31..	525 435601....	1PIVOT, IDLER
2..	573 978301....	1BELT	32..	510 206301....	1PIVOT, BEARING
3..	506 120802....	1OIL TANK ASSY	33..	576 577701....	2VIBRATION CLAMP
4..	522 805401....	1FILTER, 25 MICRON	34..	539 114662....	1SHIELD, DUST
5..	505 351001....	1PUMP, 12CC RT	35..	510 254501....	1SHIELD, DUST
6..	505 351101....	1PUMP, 12CC LT	36..	574 398502....	2SHIELD, PULLEY
7..	510 019001....	2PULLEY, PUMP, 15MM	37..	539 101332....	8HCS 1/2-13 x 2 3/4
8..	510 283702....	1PULLEY, IDLER	38..	539 103433....	1HCS 1/2-13 x 3 1/4
9..	510 254401....	1SPRING, PUMP	39..	525 544801....	4HHFS 1/2-13 x 4 GR 8
10..	539 101177....	2KEY, METRIC	40..	525 834201....	4HHFS 3/8-16 x 1 1/4 HEX FLG
11..	522 805301....	1CAP, HYDRAULIC	41..	539 990072....	2HHCS 1/4-20 x 5/8
12..	522 559201....	1LINKAGE, CONTROL, FT	42..	539 990316....	4RHSNB 5/16-18 x 3/4
13..	522 842801....	1LINKAGE, CONTROL, RR	43..	539 100413....	1RHSNB 3/8-16 x 1 1/4
14..	539 102590....	2BALL END, RT	44..	539 130235....	1RHSNB 3/8-16 x 2 3/4
15..	539 109149....	1TURNBUCKLE 3/8	45..	539 113226....	2BOLT 5/16-18 x 1 THD FRM
16..	510 010101....	1LINE, HYDRAULIC, RT-A	46..	539 102717....	4SCREW 5/16-18 x 5/8 SET
17..	510 010201....	1LINE, HYDRAULIC, RT-B	47..	525 544001....	4SCREW 5/16-18 x 1 1/4 TPBLT
18..	510 010301....	1LINE, HYDRAULIC, LT-A	48..	539 990223....	2NUT 5/16-24 HEX
19..	510 010401....	1LINE, HYDRAULIC, LT-B	49..	521 996501....	4NUT 3/8-16 HEX FLG NYLOC
20..	510 010501....	1LINE, HYDRAULIC, CHARGE	50..	539 112899....	8NUT 5/16-18 HEX FLG NYLOC
21..	510 010601....	1LINE, HYDRAULIC, CASE	51..	539 108732....	1NUT 3/8-24 HEX JAM
22..	510 010701....	1LINE, HYDRAULIC, SUCTION	52..	539 990613....	2NUT 3/8-16 HEX WHIZLK
23..	575 872301....	1FILTER HEAD	53..	539 200282....	6NUT 3/8-16 HEX JAM NYLOC
24..	539 131748....	2STRAIGHT CONNECTOR	54..	521 991101..	12NUT 1/2-13 HEX FLG NYLOC
25..	539 101239....	4STRAIGHT CONNECTOR	55..	539 105168....	1CAPNUT
26..	539 101237....	5STRAIGHT CONNECTOR	56..	539 115528....	1WASHER 1/2" BELLEVILLE
27..	539 101242....	1ELBOW 90° ADJ	57..	522 023401....	1WASHER 3/8 THICK
28..	539 103316....	2CONNECTOR	58..	539 990692....	4WASHER 5/16 STD FLT
29..	522 805001....	1TUBE, ANTI-SPLASH	59..	539 990052....	2WASHER 1/4 SPLIT LOCK
30..	510 041603....	1ARM w/ BEARINGS, IDLER	60..	539 109554....	1WASHER 1/2 FLAT

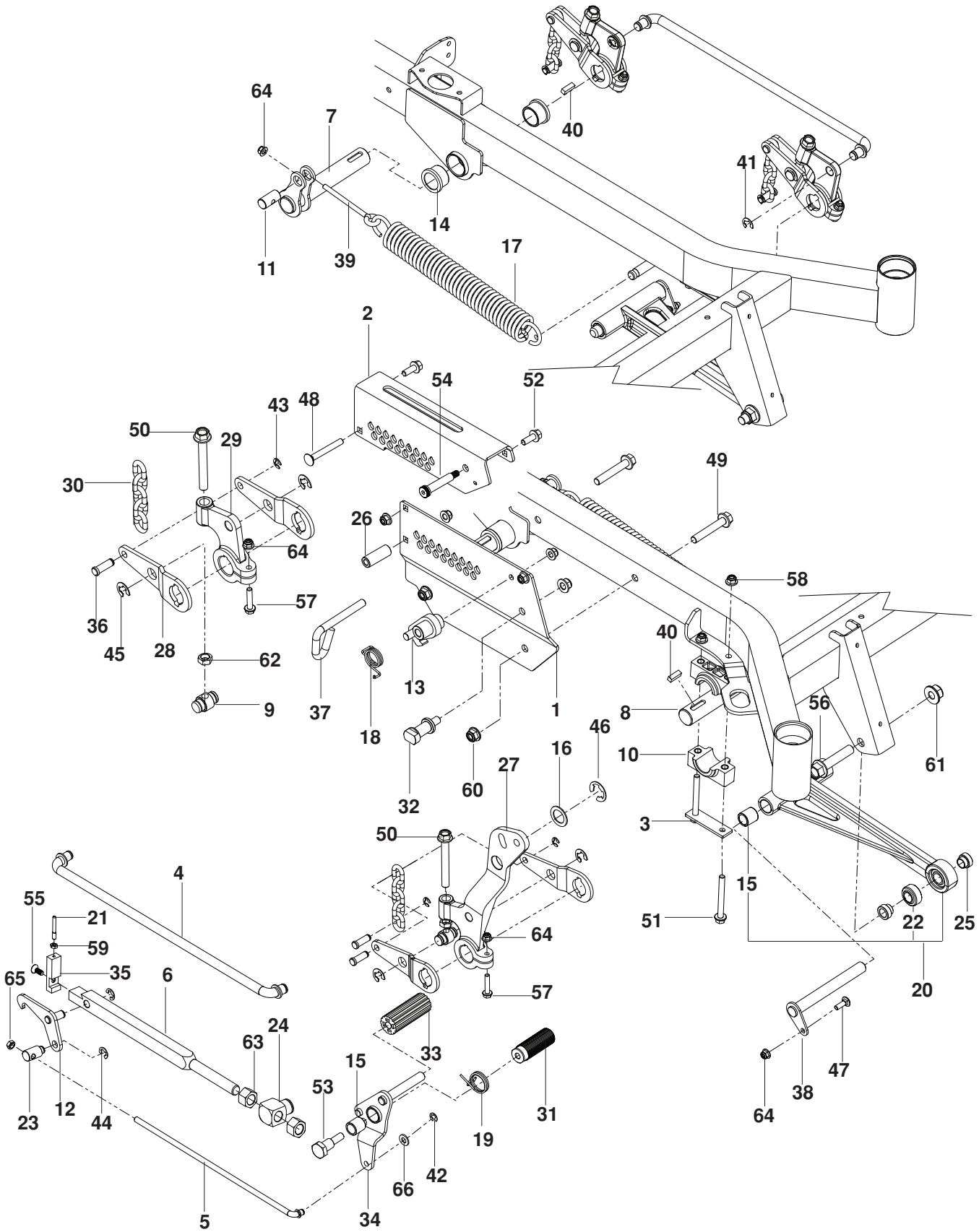
WHEELS AND TIRES



WHEELS AND TIRES

ITEM	PART NO.	QTY.	DESCRIPTION	ITEM	PART NO.	QTY.	DESCRIPTION
1..	510 034001....2	CAP, DUST	11..	539 990250....2	WASHER 1/2 SAE
2..	522 842601....2	NUT 3/4-16 HEX THIN NYLOC	12..	539 101474....2	ZERK
3..	574 824701....2	WASHER 3/4 HARDENED	13..	539 103300....2	ZERK
4..	510 034401....4	BEARING, TAPERED	14..	539 912234....2	STEM, VALVE
5..	510 034301....2	SEAL, BEARING	15..	522 905101....2	TIRE ASSY 23 x 10.5
6..	539 105518....4	AXLE SPACER	16..	522 905102....2	RIM 12 x 1.125 NEG OFFSET
7..	510 154601....2	TIRE ASSY 13 x 6.5, FLT FREE	17..	539 107431....2	TIRE 23 x 10.5 TURF MASTER
8..	539 105517....2	BOLT 1/2-13 x 9 1/2 HEX NYLOC	18..	539 105524....2	SEAL, CASTER TIRE
9..	521 991101....2	NUT 1/2-13 HEX FLG NYLOC	19..	539 105525....2	BEARING (CUP AND CONE)
10..	525 611902....2	FORK, CASTER				

MOWER LIFT / DECK LIFT

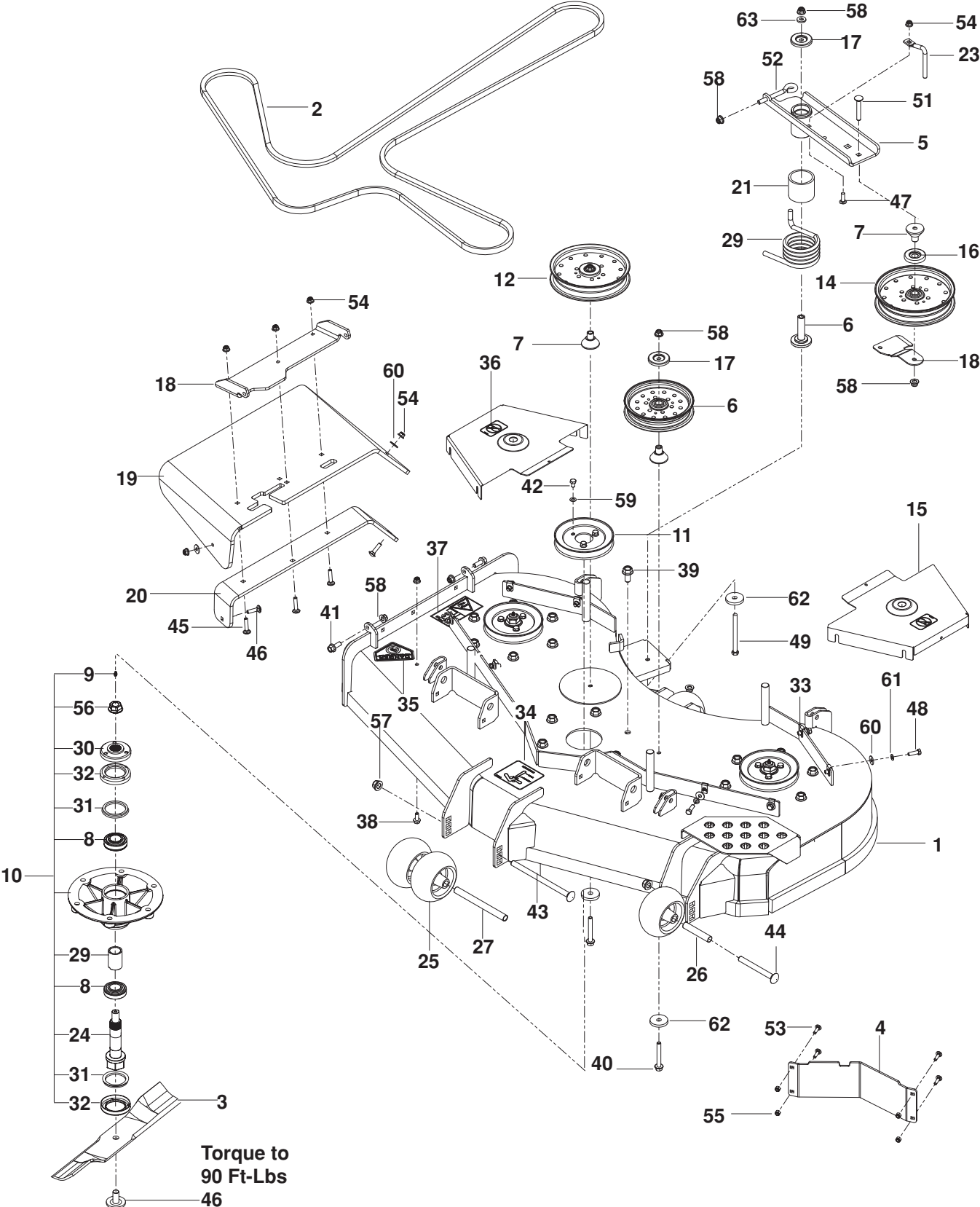


MOWER LIFT / DECK LIFT

ITEM	PART NO.	QTY.	DESCRIPTION	ITEM	PART NO.	QTY.	DESCRIPTION
1..	510 408502....	1 PLATE, INNER HEIGHT	35..	510 406501....	1 CAP, HEIGHT BAR
2..	510 408602....	1 PLATE, OUTER HEIGHT	36..	510 090101....	8 PIN 7/16 CLEVIS
3..	525 822201....	2 PLATE, PILLOW BLOCK	37..	510 016501....	1 PIN, HEIGHT
4..	510 089801....	2 ROD, LIFT	38..	515 988201....	2 PIN, STRUT
5..	510 407601....	1 ROD, HEIGHT LATCH	39..	539 120993....	2 EYEBOLT 4 1/2
6..	510 406301....	1 BAR, HEIGHT	40..	525 822501....	4 KEY 5/16 SQ x 1
7..	510 410703....	2 SHAFT, LIFT RR	41..	539 105069....	4 E-RING 5/8"
8..	510 409602....	1 SHAFT, LIFT FT	42..	539 990870....	1 E- RING 3/8"
9..	510 023601....	4 TRUNION, LIFT SHAFT	43..	522 705201....	4 E-RING 7/16"
10..	510 023902....	4 BLOCK, PILLOW	44..	539 101949....	2 E-RING 1/2"
11..	510 412301....	2 PIVOT, SPRING	45..	539 102454....	3 E-RING 3/4"
12..	510 407201....	1 LATCH, HEIGHT	46..	539 912730....	1 E-RING 1"
13..	510 406801....	1 LATCH, TRANSPORT	47..	539 990208....	2 RHSNB 5/16-18 x 1
14..	510 089401....	4 BUSHING, FLANGED	48..	539 122728....	1 RHSNB 3/8-16 x 3 GR 2
15..	510 089201....	2 BUSHING, SLEEVE	49..	525 828901....	2 HHFS 1/2-13 x 3
16..	539 916561....	1 BUSHING	50..	525 465701....	4 HHFS 1/2-13 x 4 TPBLT
17..	510 029201....	2 SPRING, EXTENSION	51..	525 822101....	4 HHFS 3/8-16 x 3 1/2
18..	510 376601....	1 SPRING, TORSION	52..	525 612801....	2 HHFS 3/8-16 x 1
19..	510 376701....	1 SPRING, TORSION	53..	510 408201....	1 BOLT, SHOULDER
20..	510 106501....	2 STRUT ASSY	54..	516 035501....	1 BOLT 1/2 x 2 1/4, 3/8-16 SHLDR
21..	510 406601....	1 LINK, INDICATOR	55..	522 705601....	1 SCREW 5/16-18 x 3/4 HEX SCKT
22..	510 083801....	1 SWIVEL 3/4 BALLJOINT	56..	525 829001....	2 HHFS 5/8-11 x 3 HEX FLG
23..	510 407501....	1 SWIVEL, HEIGHT LATCH	57..	525 465401....	1 HHFS 5/16-18 x 1 1/2 HEX FLG
24..	510 406401....	1 SWIVEL, HEIGHT BAR	58..	521 996501....	4 NUT 3/8-16 HEX FLG NYLOC
25..	510 362501....	4 SPACER, STRUT	59..	539 991112....	1 NUT 1/4-20 JAM
26..	510 408401....	1 SPACER, HEIGHT PLATE	60..	521 991101....	3 NUT 1/2-13 HEX FLG NYLOC
27..	510 022502....	1 LEVER, DECK LIFT	61..	525 829101....	2 NUT 5/8-11 FLG NYLOC
28..	510 410002....	4 ARM, LIFT	62..	539 990625....	4 NUT 1/2-13 HEX JAM
29..	510 022501....	1 ARM, CAST LIFT	63..	539 108677....	2 NUT 3/4-10 HEX
30..	539 102641....	4 LIFT CHAIN	64..	539 112899....	8 NUT 5/16-18 HEX FLG NYLOC
31..	510 089501....	1 PAD, FOOT PEDAL	65..	539 108732....	1 NUT 3/8-24 HEX JAM
32..	510 406701....	1 GUIDE, HEIGHT BAR	66..	539 990122....	1 WASHER 3/8 SAE FLT
33..	510 408301....	1 PEDAL, DECK HEIGHT				
34..	510 407801....	1 PEDAL, RELEASE				

MOWER DECK / CUTTING DECK

FD54PZ \ 966555301

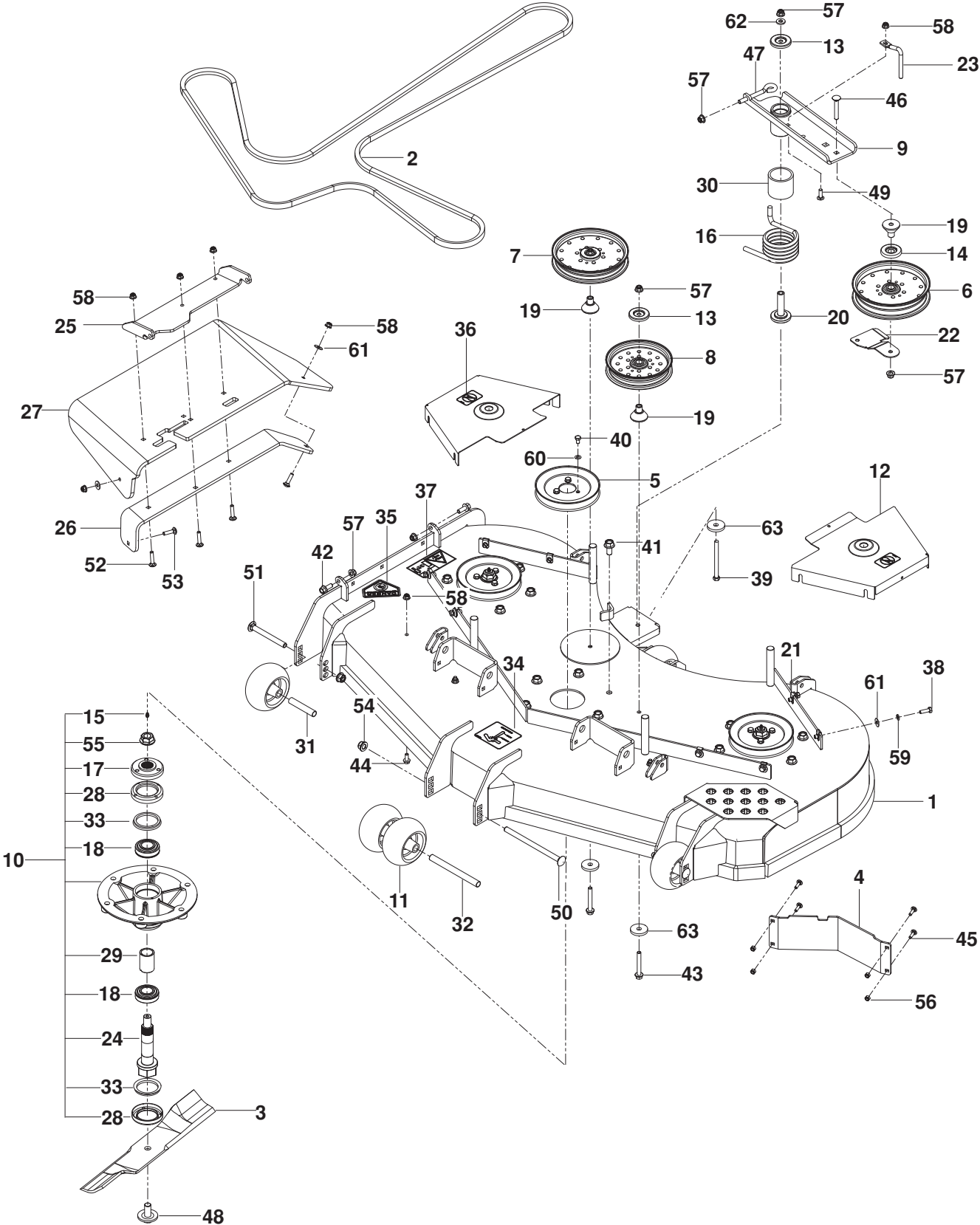


MOWER DECK / CUTTING DECK

ITEM	PART NO.	QTY.	DESCRIPTION	ITEM	PART NO.	QTY.	DESCRIPTION
1..	574 497101....	1 DECK w/ SAFETY DECALS	33..	539 104763....	8 RETAINER, U TYPE
2..	575 658401....	1 BELT, DECK	34..	574 437301....	1 DECAL, BELT ROUTING
3..	575 265901....	3 BLADE, 19"	35..	539 913010....	1 DECAL, BLADE WARNING
4..	510 437502....	1 BAFFLE, FLOW DIVERTER	36..	539 105743....	2 DECAL, NO STEP
5..	574 722201....	1 ARM ASSY, IDLER	37..	539 105746....	1 DECAL, SEVERING
6..	522 729701....	1 BEARING, IDLER PIVOT	38..	525 464701....	3 HHFS $\frac{5}{16}$ -18 x $\frac{3}{4}$ HEX FLG
7..	510 263701....	3 BEARING, IDLER ARM	39..	574 210601..	18 HHFS $\frac{1}{2}$ -13 x 1 HEX FLG
8..	539 130638....	6 BEARING	40..	539 131781....	2 HHFS $\frac{3}{8}$ -16 x 2 $\frac{3}{4}$ HEX FLG
9..	539 976998....	3 ZERK	41..	525 612801....	2 HHFS $\frac{3}{8}$ -16 x 1 HEX FLG
10..	525 836401....	3 SPINDLE ASSY	42..	539 130315....	9 HCS $\frac{5}{16}$ -18 x $\frac{1}{2}$ HEX
11..	521 979701....	3 PULLEY	43..	510 022401....	1 RHSNB $\frac{1}{2}$ -13 x 8
12..	525 598201....	1 PULLEY, IDLER 7" NARROW	44..	510 022301....	2 RHSNB $\frac{1}{2}$ -13 x 4 $\frac{3}{4}$
13..	510 019601....	1 PULLEY, IDLER 6"	45..	539 102933....	3 RHSNB $\frac{5}{16}$ -18 x 1 $\frac{1}{2}$
14..	510 015101....	1 PULLEY, IDLER 7" WIDE	46..	539 100472....	2 RHSNB $\frac{5}{16}$ -18 x 1 $\frac{1}{4}$
15..	510 131202....	2 SHIELD, BELT	47..	539 107271....	1 RHSNB $\frac{5}{16}$ -18 x 1
16..	510 262201....	1 SHIELD, DUST	48..	539 990209....	8 HCS $\frac{5}{16}$ -18 x 1 HEX
17..	510 254501....	2 SHIELD, DUST	49..	539 101686....	1 HCS $\frac{3}{8}$ -16 x 4 $\frac{1}{2}$ HEX GR 8
18..	574 197002....	1 BRACKET, CHUTE PIVOT	50..	539 119007....	3 BOLT, BLADE
19..	525 485801....	1 CHUTE, DISCHARGE	51..	539 128101....	1 BOLT $\frac{3}{8}$ -16 x 2 $\frac{1}{2}$ CARRIAGE
20..	525 486002....	1 SUPPORT, CHUTE BRACKET	52..	574 202001....	1 EYEBOLT $\frac{3}{8}$ x 4
21..	525 465601....	1 SPACER, IDLER PIVOT	53..	539 115620....	4 BOLT $\frac{1}{4}$ -20 x $\frac{3}{4}$ CARRIAGE
22..	539 130641....	3 SPACER	54..	539 112899....	9 NUT $\frac{5}{16}$ -18 HEX FLG NYLOC
23..	574 262201....	1 KEEPER, BELT	55..	539 976978....	4 NUT $\frac{1}{4}$ -20 HEX NYLOC
24..	525 836001....	3 SHAFT, SPINDLE	56..	539 130653....	3 NUT $\frac{3}{4}$ -16 FLG
25..	574 169601....	4 ROLLER, GAUGE	57..	521 991101....	3 NUT $\frac{1}{2}$ -13 HEX FLG NYLOC
26..	574 196401....	2 TUBE, ROLLER AXLE	58..	521 996501....	4 NUT $\frac{3}{8}$ -16 HEX FLG NYLOC
27..	574 196501....	1 TUBE, ROLLER AXLE LONG	59..	539 109600....	9 WASHER $\frac{5}{16}$ DISC SPRING
28..	574 262102....	1 GUIDE, BELT	60..	539 990692..	10 WASHER $\frac{5}{16}$ STD FLT
29..	525 310901....	1 SPRING, TORSION	61..	539 990187....	8 WASHER $\frac{5}{16}$ SLW
30..	539 130637....	3 HUB	62..	539 106504....	3 WASHER, HEAVY
31..	539 130639....	6 V-RING	63..	522 023401....	1 WASHER $\frac{3}{8}$ THICK
32..	539 130643....	6 CUP, DEBRIS				

MOWER DECK / CUTTING DECK

FD60PZ \ 966555302



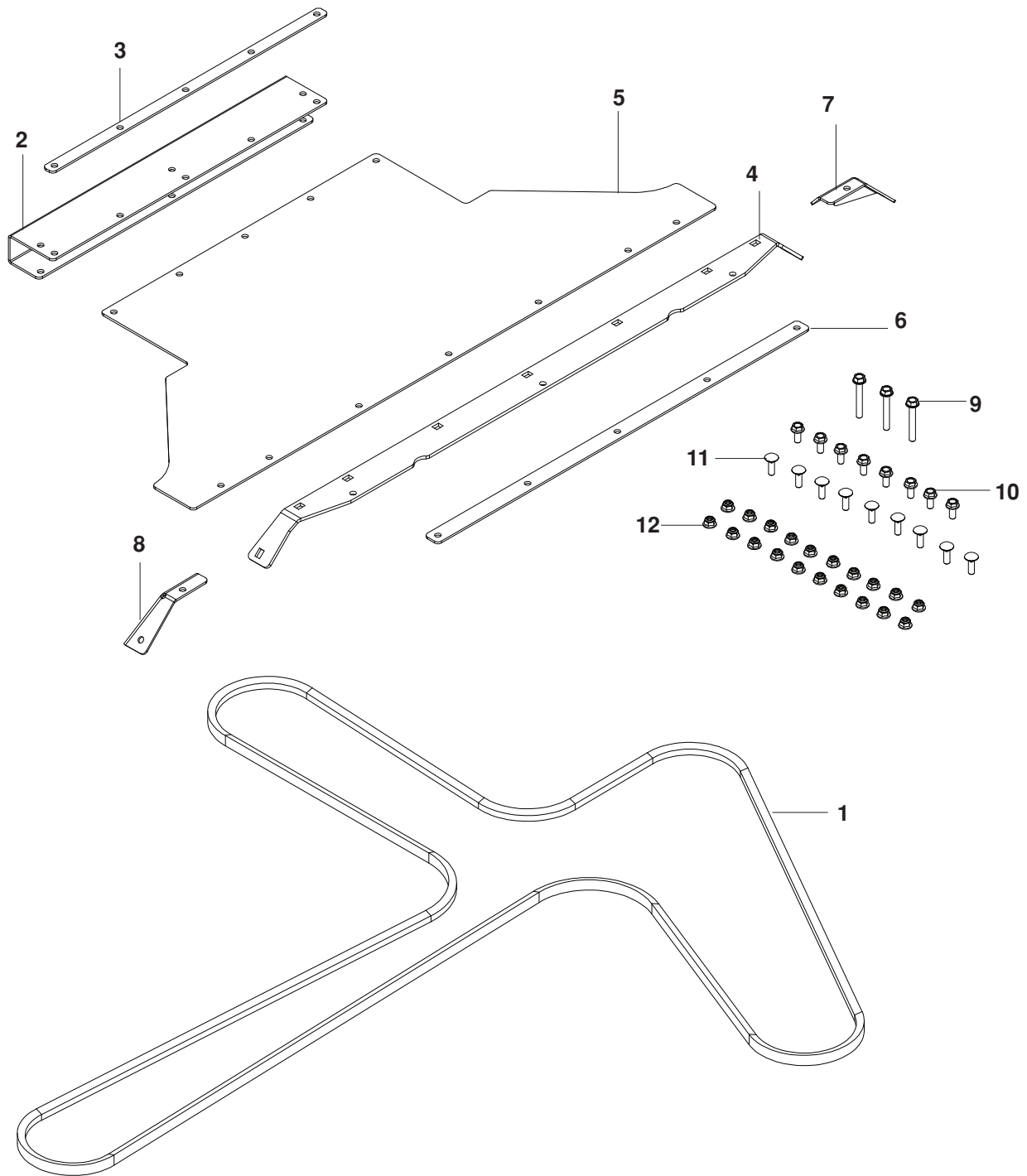
MOWER DECK / CUTTING DECK

ITEM	PART NO.	QTY.	DESCRIPTION	ITEM	PART NO.	QTY.	DESCRIPTION
1..	574 497201....	1 DECK w/ SAFETY DECALS	33..	539 130639....	6 V-RING
2..	575 658403....	1 BELT, DECK	34..	574 437301....	1 DECAL, BELT ROUTING
3..	539 105711....	3 BLADE, 21"	35..	539 913010....	1 DECAL, BLADE WARNING
4..	510 437502....	1 BAFFLE, FLOW DIVERTER	36..	539 105743....	2 DECAL, NO STEP
5..	539 130646....	3 PULLEY	37..	539 105746....	1 DECAL, SEVERING
6..	510 015101....	1 PULLEY, IDLER 7"	38..	539 990209....	8 HCS $\frac{5}{16}$ -18 x 1
7..	525 598201....	1 PULLEY, IDLER 7" NARROW	39..	539 101686....	1 HCS $\frac{3}{8}$ -16 x 4 $\frac{1}{2}$ GR 8
8..	510 019601....	1 PULLEY, IDLER, 6"	40..	539 130315....	9 HCS $\frac{5}{16}$ -18 x $\frac{1}{2}$
9..	574 722201....	1 ARM, IDLER	41..	574 210601....	18 HHFS $\frac{1}{2}$ -13 x 1
10..	525 836401....	3 SPINDLE ASSY	42..	525 612801....	2 HHFS $\frac{3}{8}$ -16 x 1
11..	574 169601....	5 ROLLER, GAUGE	43..	539 131781....	2 HHFS $\frac{3}{8}$ -16 x 2 $\frac{3}{4}$
12..	510 131202....	2 SHIELD, BELT	44..	525 464701....	3 HHFS $\frac{5}{16}$ -18 x $\frac{3}{4}$
13..	510 254501....	2 SHIELD, DUST	45..	539 115620....	4 BOLT $\frac{1}{4}$ -20 x $\frac{3}{4}$ CARRIAGE
14..	510 262201....	1 SHIELD, DUST	46..	539 128101....	1 BOLT $\frac{3}{8}$ -16 x 2 $\frac{1}{2}$ CARRIAGE
15..	539 976998....	3 ZERK	47..	574 202001....	1 EYEBOLT $\frac{3}{8}$ x 4
16..	525 310901....	1 SPRING, TORSION	48..	539 119007....	3 BLADE BOLT
17..	539 130637....	3 HUB, PULLEY	49..	539 107271....	1 RHSSNB $\frac{5}{16}$ -18 x 1
18..	539 130638....	6 BEARING	50..	510 022401....	1 RHSNB $\frac{1}{2}$ -13 x 8
19..	510 263701....	3 BEARING, IDLER ARM	51..	510 022301....	3 RHSNB $\frac{1}{2}$ -13 x 4 $\frac{3}{4}$
20..	522 729701....	1 BEARING, IDLER PIVOT	52..	539 102933....	3 RHSNB $\frac{5}{16}$ -18 x 1 $\frac{1}{2}$
21..	539 104763....	8 RETAINER, U TYPE	53..	539 100472....	2 RHSNB $\frac{5}{16}$ -18 x 1 $\frac{1}{4}$
22..	574 262102....	1 GUIDE, BELT	54..	521 991101....	4 NUT $\frac{1}{2}$ -13 HEX FLG NYLOC
23..	574 262201....	1 KEEPER, BELT	55..	539 130653....	3 NUT $\frac{3}{4}$ -16 FLG
24..	525 836001....	3 SHAFT, SPINDLE	56..	539 976978....	4 NUT $\frac{1}{4}$ -20 HEX NYLOC
25..	574 197002....	1 BRACKET, CHUTE PIVOT	57..	521 996501....	4 NUT $\frac{3}{8}$ -16 HEX FLG NYLOC
26..	525 486002....	1 BRACKET, CHUTE SUPPORT	58..	539 112899....	9 NUT $\frac{5}{16}$ -18 HEX FLG NYLOC
27..	525 485801....	1 CHUTE, DISCHARGE	59..	539 990187....	8 WASHER $\frac{5}{16}$ SLW
28..	539 130643....	6 CUP, DEBRIS	60..	539 109600....	9 WASHER $\frac{5}{16}$ DISC SPRING
29..	539 130641....	3 SPACER	61..	539 990692....	10 WASHER $\frac{5}{16}$ STD FLT
30..	525 465601....	1 SPACER, IDLER PIVOT	62..	522 023401....	1 WASHER $\frac{3}{8}$ THICK
31..	574 196401....	2 TUBE, ROLLER AXLE	63..	539 106504....	3 WASHER, HEAVY
32..	574 196501....	1 TUBE, ROLLER AXLE LONG				

MOWER DECK / CUTTING DECK

ITEM	PART NO.	QTY.	DESCRIPTION	ITEM	PART NO.	QTY.	DESCRIPTION
1..	575 934602....	1 DECK	32..	535 428801....	3 SPACER
2..	544 175801....	3 BLADE	33..	539 114582....	1 SPACER, IDLER
3..	575 658404....	1 BELT	34..	510 264201....	1 SPACER, IDLER BEARINGS
4..	738 220519....	6 BEARING	35..	525 465601....	1 SPACER, IDLER PIVOT
5..	539 112050....	2 BEARING, BALL	36..	574 202001....	1 EYE BOLT
6..	510 263701....	1 BEARING, IDLER ARM	37..	510 254501....	2 SHIELD, DUST
7..	522 729701....	1 BEARING, IDLER PIVOT	38..	510 262201....	2 SHIELD, DUST
8..	510 015101....	1 PULLEY, IDLER 7"	39..	539 112508....	1 GUARD, LT BLK
9..	539 112507....	3 PULLEY	40..	539 112509....	1 GUARD, RT BLK
10..	510 019601....	1 PULLEY, IDLER 6" NARROW	41..	539 990188....	3 WASHER ⁵ / ₁₆ SAE FLAT
11..	525 598201....	1 PULLEY, IDLER 7" NARROW	42..	539 111844....	2 WASHER, HEAVY
12..	535 428901....	3 HOUSING, BEARING	43..	539 127099....	3 WASHER
13..	574 262102....	1 BELT GUIDE, BLK	44..	539 128101....	1 BOLT ³ / ₈ -16 x 2 ¹ / ₂ CARRIAGE
14..	574 262201....	1 BELT KEEPER	45..	510 022301....	2 RHSNB ¹ / ₂ -13 x 4 ³ / ₄
15..	544 166401....	1 PLUG, MULCH	46..	539 990208....	12 RHSNB ⁵ / ₁₆ -18 x 1
16..	522 023401....	2 WASHER ³ / ₈ THICK	47..	539 107271....	1 RHSSNB ⁵ / ₁₆ -18 x 1
17..	506 533501....	6 KEY	48..	539 102612....	1 HCS ³ / ₈ -16 x 2 ³ / ₄
18..	525 310901....	1 SPRING, TORSION	49..	539 101686....	1 HCS ³ / ₈ -16 x 4 ¹ / ₂ GR 8
19..	539 106504....	2 WASHER, HEAVY	50..	539 132470....	1 HCS ⁷ / ₁₆ -14 x 7
20..	539 132778....	3 BUSHING, BLADE	51..	539 132480....	3 HCS M12 x 1.75 x 50 GR 8.8
21..	525 464402....	1 IDLER ARM BLK	52..	539 132479....	3 HCS M12 x 1.75x60 GR 8.8
22..	539 112609....	3 RETAINER, KEY	53..	539 132494....	3 HCS M8 x 1.25 x 50 GR 8.8
23..	574 196401....	2 TUBE, ROLLER AXLE	54..	525 828901....	1 HFFS ¹ / ₂ -13 x 3
24..	544 185401....	1 ROLLER	55..	539 115550....	3 WASHER
25..	574 169601....	2 ROLLER, GAUGE	56..	521 991101....	3 NUT ¹ / ₂ -13 HEX FLG NYLOC
26..	539 112537....	1 DECAL, 155	57..	521 996501....	3 NUT ³ / ₈ -16 HEX FLG NYLOC
27..	574 437301....	1 DECAL, BELT ROUTING	58..	539 112899..	13 NUT ⁵ / ₁₆ -18 HEX FLG NYLOC
28..	539 105744....	2 DECAL, DNGER BELT DRIVES	59..	539 990839....	1 NUT ⁷ / ₁₆ -14 HEX CTRLK GR A
29..	539 105743....	2 DECAL, NO STEP	60..	506 916203....	3 NUT, BLIND RIVET
30..	539 105746....	2 DECAL, SEVERING	61..	506 792302....	3 WASHER
31..	539 108450....	3 DUST CAP, TOP	62..	535 428702....	3 AXLE

GUARDS

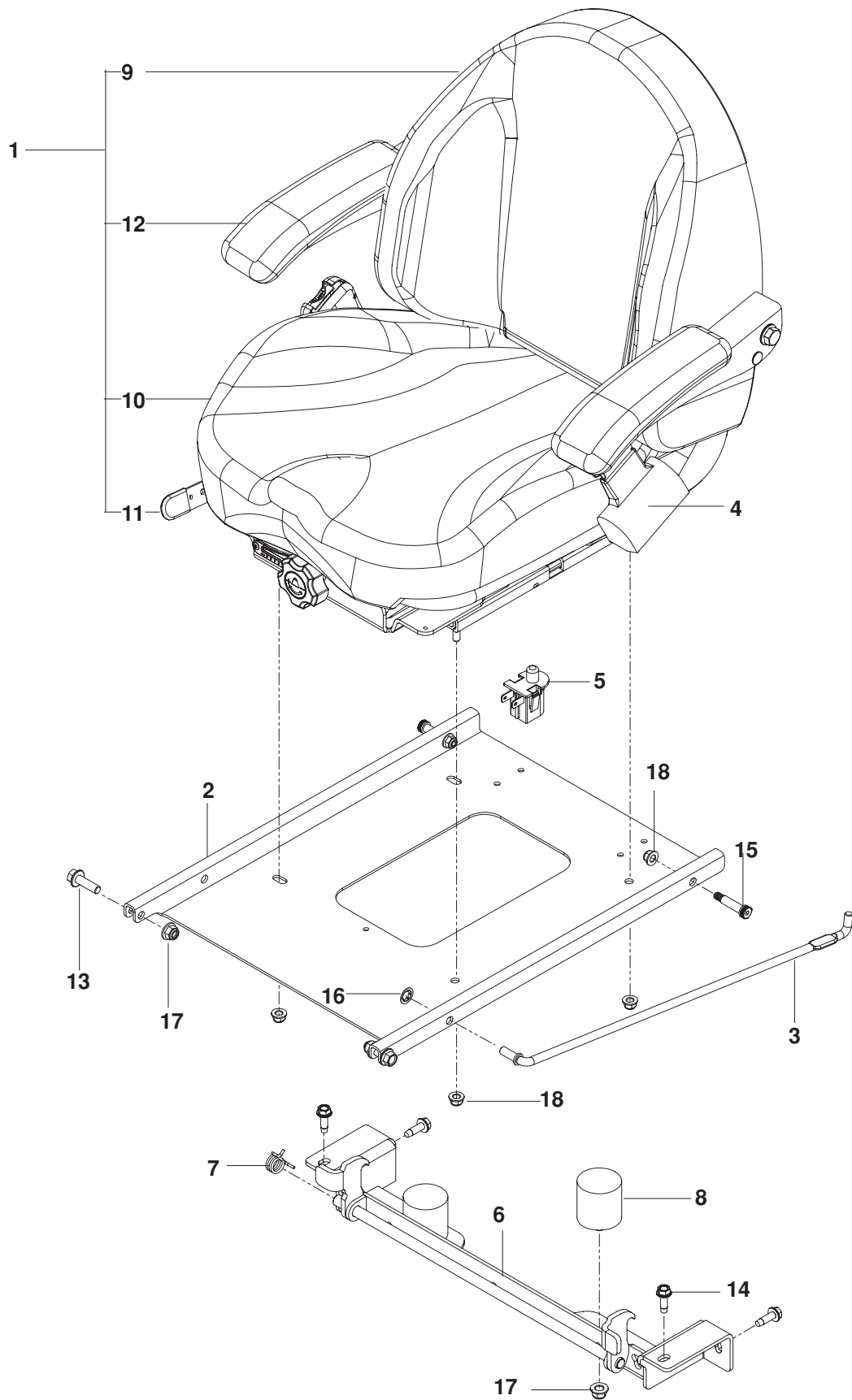


GUARDS

ITEM	PART NO.	QTY.	DESCRIPTION
1..	575658404.....	1	BELT
2..	575 558602.....	1	CHANNEL, MOUNT
3..	575 558702.....	1	STRAP, SHORT
4..	575 568602.....	1	PLATE, MOUNTING
5..	575 571901.....	1	GUARD, RUBBER
6..	575 571802.....	1	STRAP, LONG

ITEM	PART NO.	QTY.	DESCRIPTION
7..	575 647802.....	1	BRACKET, LH
8..	575 647902.....	1	BRACKET, RH
9..	574 233801.....	3	HHFS $\frac{5}{16}$ -18 x $2\frac{1}{4}$
10..	525464701.....	8	HHFS $\frac{5}{16}$ -18 x $\frac{3}{4}$
11..	539 990208.....	9	RHSNB $\frac{5}{16}$ -18 x 1
12..	539 112899..	20	NUT $\frac{5}{16}$ -18 HEX FLG NYL

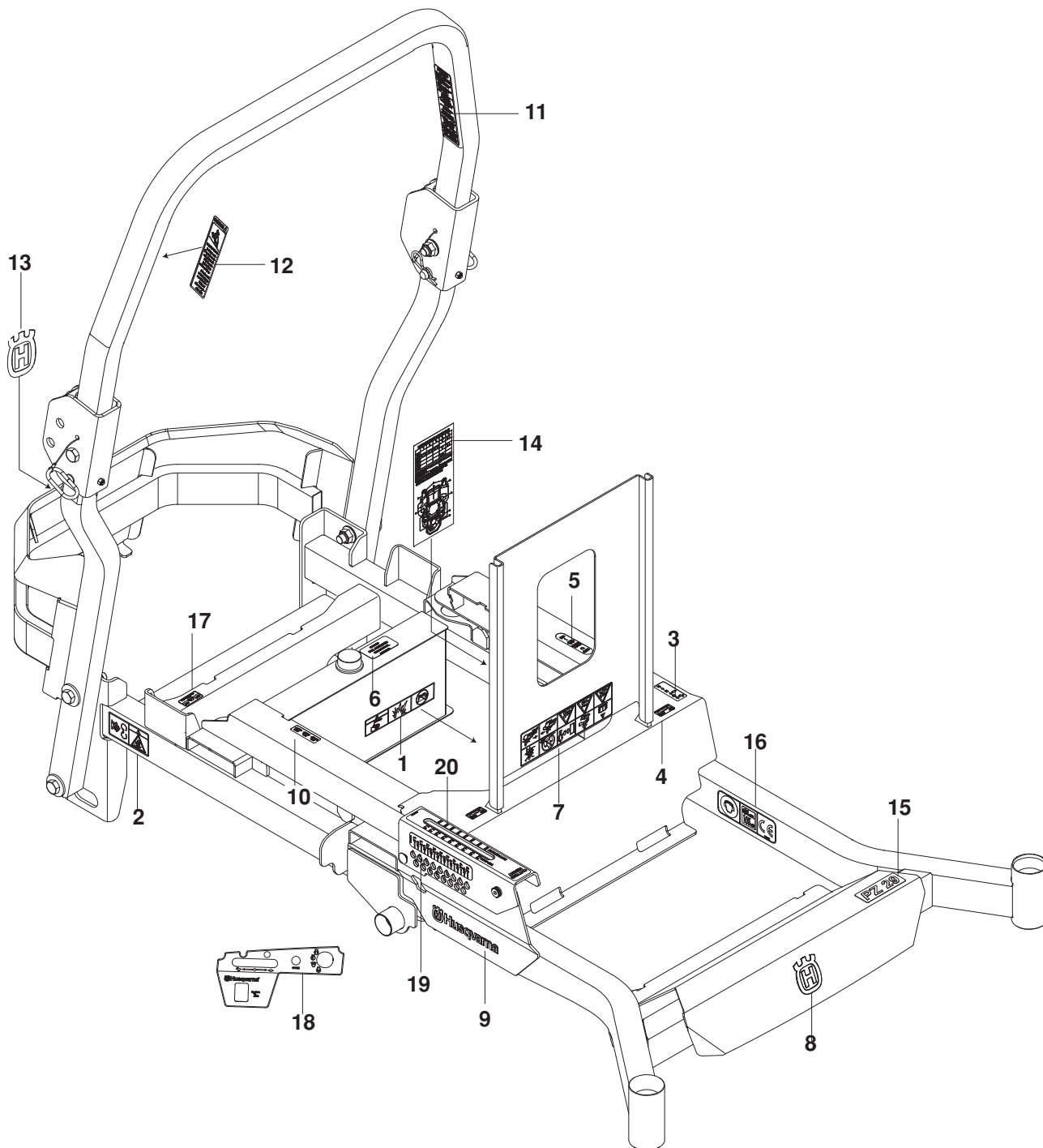
SEAT



SEAT

ITEM	PART NO.	QTY.	DESCRIPTION	ITEM	PART NO.	QTY.	DESCRIPTION
1..	574 284601....	1 SEAT ASSY	11..	574 284604....	1 TRACK KIT
2..	510 039302....	1 PAN, SEAT	12..	574 284605....	1 ARMREST, LT
3..	510 064101....	1 ROD, SEAT		574 284606....	1 ARMREST, RT
4..	539 130359....	1 SEAT BELT	13..	525 834201....	2 HHFS $\frac{3}{8}$ -16 x $1\frac{1}{4}$ HEX FLG
5..	539 119741....	1 SWITCH, SEAT	14..	539 113226....	4 BOLT $\frac{5}{16}$ -18 x 1 THD FRM
6..	574 182202....	1 LATCH, SEAT	15..	515 990601....	2 BOLT $\frac{3}{8}$ x $1\frac{1}{4}$ $\frac{5}{16}$ -18 SHLDR
7..	520 283101....	1 SPRING, TORSION	16..	539 913847....	2 NUT $\frac{3}{8}$ RETAINER
8..	510 283801....	2 BUMPER, RUBBER	17..	521 996501....	4 NUT $\frac{3}{8}$ -16 HEX FLG NYLOC
9..	574 284602....	1 COVER, BACK	18..	539 112899....	6 NUT $\frac{5}{16}$ -18 HEX FLG NYLOC
10..	574 284603....	1 COVER KIT, CUSHION				

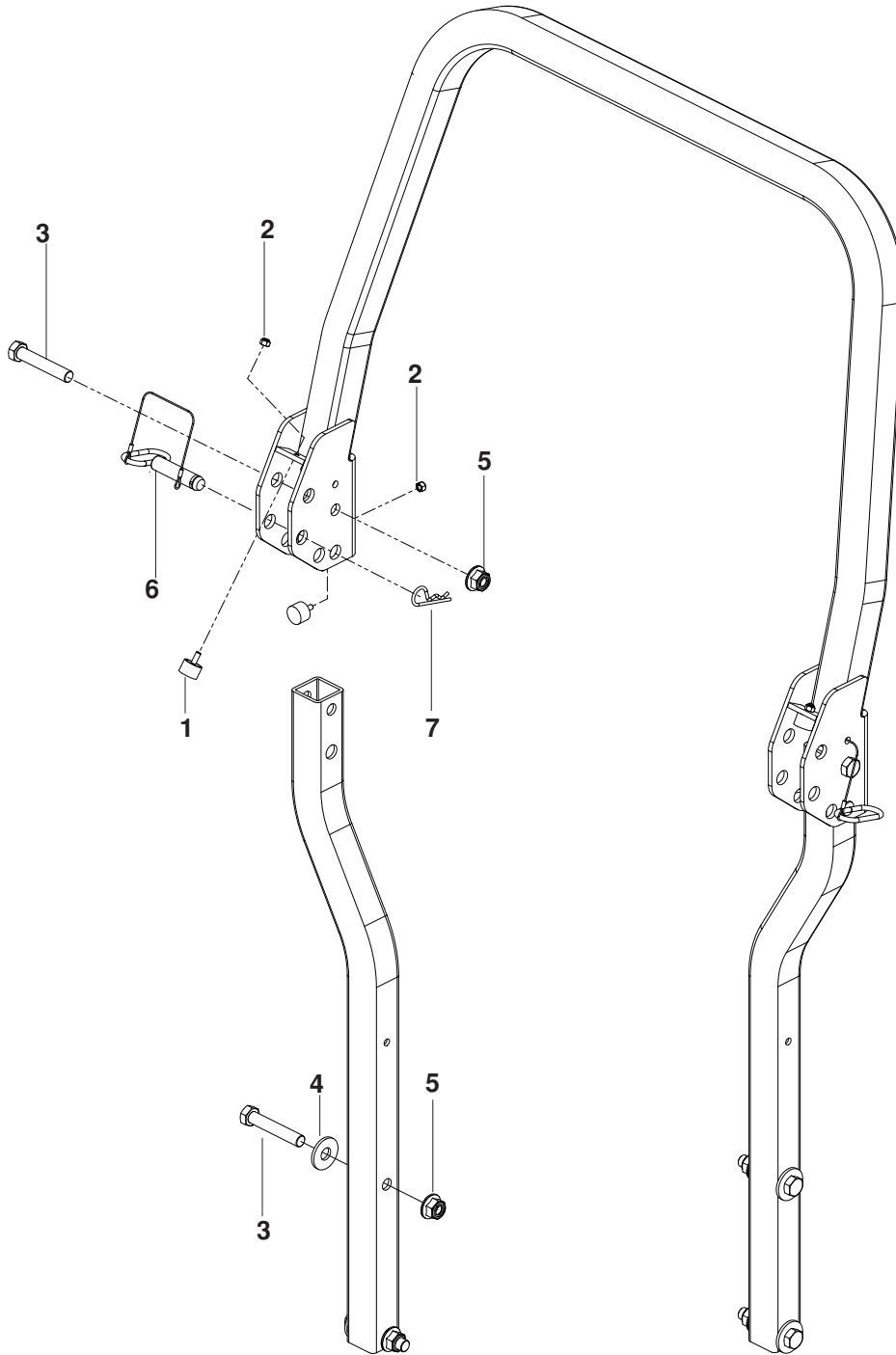
DECALS



DECALS

ITEM	PART NO.	QTY.	DESCRIPTION	ITEM	PART NO.	QTY.	DESCRIPTION
1..	539 105745....	1DECAL, BATTERY WARNING	11..	574 569006....	1DECAL, ROPS
2..	539 105744....	1DECAL, BELT DRIVE WARN	12..	574 569002....	1DECAL, ROPS WARNING
3..	539 103333....	2DECAL, MOTION CONTROL	13..	574 455001....	1DECAL, CROWN H
4..	539 110974....	2DECAL, TRACKING	14..	574 825901....	1DECAL, SERVICE
5..	539 120006....	1DECAL, PARK BRAKE	15..	574 569608....	1DECAL, PZ29
6..	539 114832....	1DECAL, OIL TANK	16..	539 105829....	1DECAL, SOUND POWER
7..	539 107959....	1DECAL, WARNING	17..	577 150101....	1DECAL, FUEL
8..	532 428676....	1DECAL, CROWN H	18..	510 246602....	1DECAL, CONTROL PANEL
9..	532 429196....	2DECAL, HUSQVARNA	19..	525 349702....	1DECAL, HEIGHT CE
10..	574 569401....	1DECAL, FUSE	20..	516 038102....	1DECAL, HEIGHT CE

PROTECTION FRAME



PROTECTION FRAME

ITEM	PART NO.	QTY.	DESCRIPTION	ITEM	PART NO.	QTY.	DESCRIPTION
1..	522 801401....4	BUMPER, MALE STUD 1/4-20	5..	525 829101....6	NUT 5/8-11 FLG NYLOC
2..	539 976978....4	NUT 1/4-20 HEX NYLOC	6..	574 388001....2	LATCH PIN w/ LANYARD
3..	539 115576....6	HCS 5/8-18 x 3 1/2	7..	539 200715....2	PIN, HAIR
4..	539 102653....4	WASHER 5/8 STD FLAT				

