

# **EZ24T CE**

**Spare parts**

**Ersatzteile**

**Pièces détachées**

**Reserve onderdelen**

**Repuestos**

**Reservdelar**

---

When you need spare parts or support in service questions, warranty issues, etc., please consult the following professional:

This manual belongs to the machine with the manufacturing number:	Engine	Transmission

### **Manufacturing Number**

The machine's manufacturing number is on the printed plate affixed to the engine compartment.

Stated on the plate, from the top are:

- The machine's type designation (I.D.).
- The manufacturer's type number (Model).
- The machine's serial number (Serial no.)

*Please have the type designation and serial number available when ordering spare parts.*

The engine's manufacturing number is stamped on one of the valve covers.

The plate states

- The engine's model.
- The engine's type.
- Code

*Please have these available when ordering spare parts.*

The wheel motors and hydrostatic pumps have a barcode decal affixed at the rear.

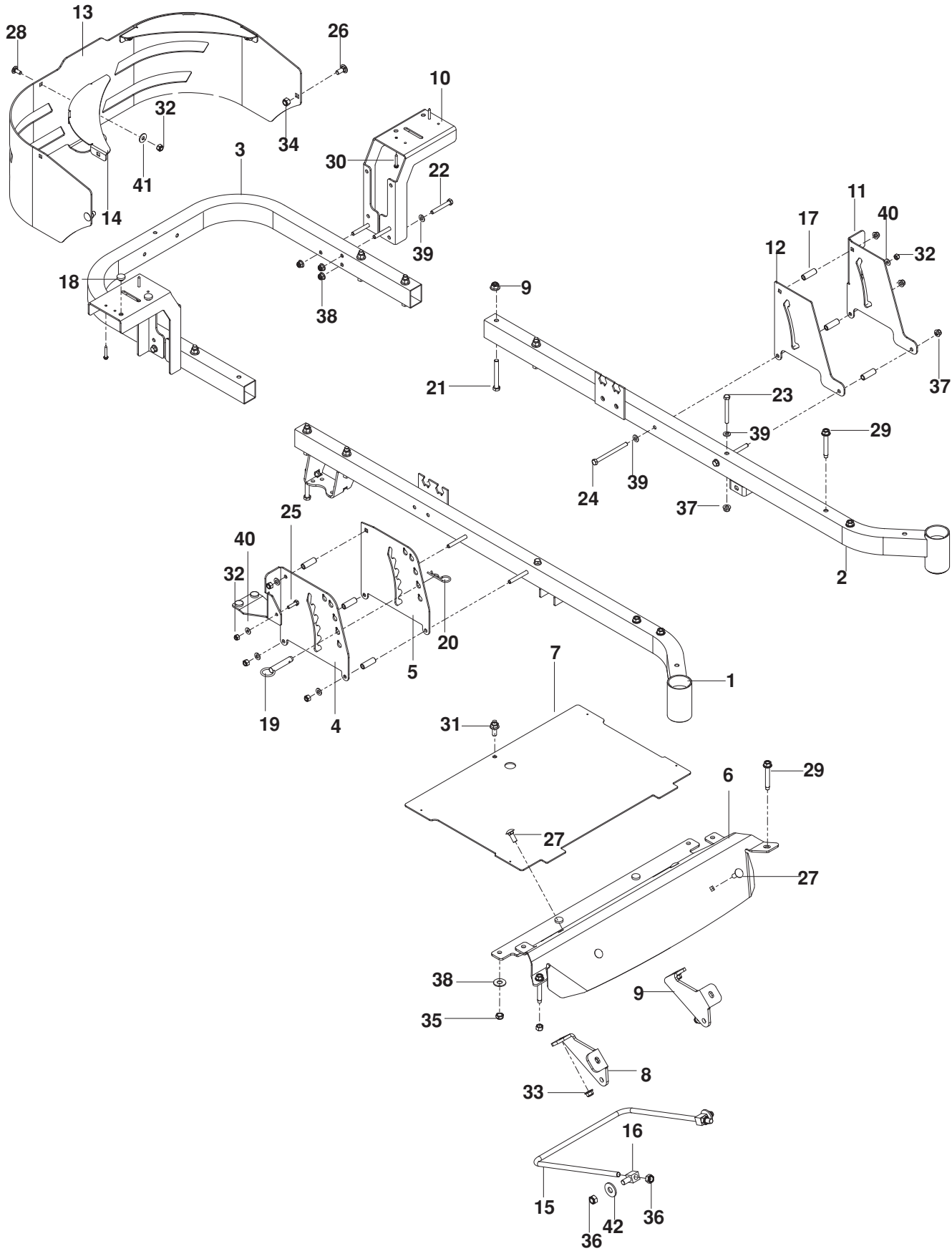
# CONTENTS

---

FRAME.....	4	HYDRAULIC PUMP / MOTOR .....	14
ENGINE PLATE.....	6	WHEELS AND TIRES.....	16
STEERING .....	8	MOWER DECK / CUTTING DECK.....	18
IGNITION.....	10	SEAT .....	20
BRAKE / LIFT.....	12	DECALS.....	22

NOTE ALL FASTENERS ARE GRADE 5 UNLESS OTHERWISE SPECIFIED.

# FRAME

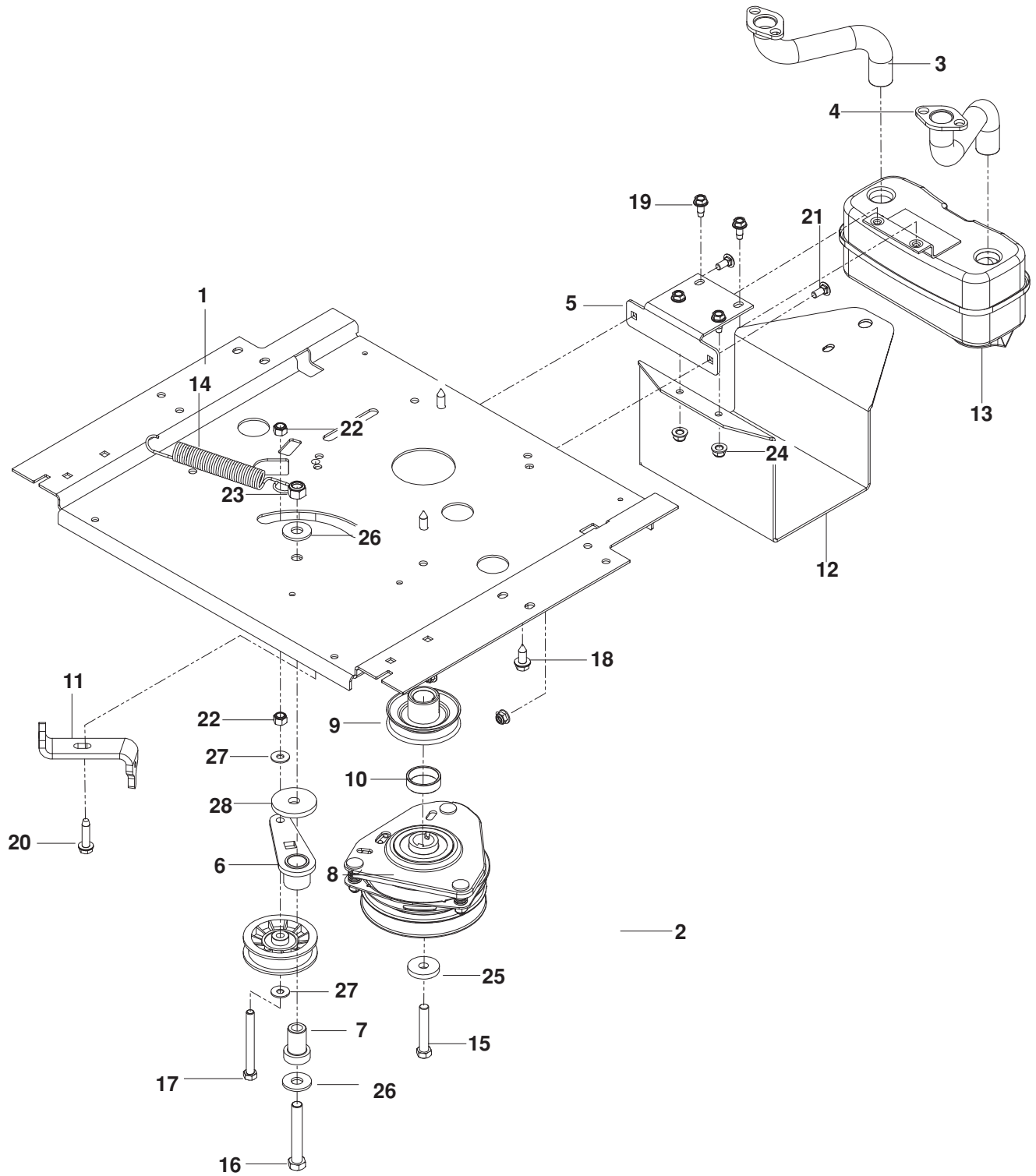


# FRAME

---

ITEM	PART NO.	QTY.	DESCRIPTION	ITEM	PART NO.	QTY.	DESCRIPTION
1..	510 177503....	1....	FRAME, FRONT RT ORG	22..	539 976938....	8....	HCS $\frac{5}{16}$ -18 x 2 $\frac{1}{4}$
2..	510 177403....	1....	FRAME, FRONT LT ORG	23..	539 101721....	2....	HCS $\frac{5}{16}$ -18 x 2 $\frac{3}{4}$
3..	516 001803....	1....	FRAME, REAR ORG	24..	539 102335....	4....	HCS $\frac{5}{16}$ -18 x 4
4..	510 245604....	1....	PLATE, HEIGHT ADJ BLK	25..	539 977761....	2....	HCS $\frac{1}{4}$ -20 x 1
5..	510 240502....	1....	PLATE, INNER HEIGHT BLK	26..	539 990316....	2....	RHSNB $\frac{5}{16}$ -18 x $\frac{3}{4}$
6..	522 719502....	1....	FOOT REST ORG	27..	539 990645....	4....	RHSNB $\frac{3}{8}$ -16 x 1
7..	522 842901....	1....	FOOT PLATE w/DECALS ORG	28..	539 111786....	6....	RHSSNB $\frac{1}{4}$ -20 x $\frac{5}{8}$
8..	522 443302....	1....	MOUNT, STRUT, RT	29..	539 111976....	4....	BOLT $\frac{3}{8}$ -16 x 2 $\frac{5}{8}$ THD FRM
9..	522 443304....	1....	MOUNT, STRUT, LT	30..	539 110674....	4....	SCREW 10-12 x 1 $\frac{1}{4}$ WSH HD
10..	510 225902....	2....	SUPPORT, FENDER BLK	31..	525 464701....	1....	HHFS $\frac{5}{16}$ -18 x $\frac{3}{4}$
11..	510 261802....	1....	PLATE, OUTER BRAKE BLK	32..	539 976978....	8....	NUT $\frac{1}{4}$ -20 HEX NYLOC
12..	510 206703....	1....	PLATE, BRAKE LATCH BLK	33..	521 996501..	16....	NUT $\frac{3}{8}$ -16 HEX FLG NYLOC
13..	516 016302....	1....	GUARD, WIDE ENGINE ORG	34..	539 990717....	8....	NUT $\frac{5}{16}$ -18 HEX NYLOC
14..	516 016402....	1....	SUPPORT, CORNER ORG	35..	539 200282....	6....	NUT $\frac{3}{8}$ -16 HEX JAM NYLOC
15..	521 938101....	1....	LINK, FRONT SUSPENSION	36..	539 119124....	4....	NUT $\frac{7}{16}$ -14 HEX NYLOC
16..	522 924201....	2....	SWIVEL	37..	539 112899..	12....	NUT $\frac{5}{16}$ -18 HEX FLG NYLOC
17..	515 988101....	6....	SPACER $\frac{1}{2}$ OD x 1 $\frac{1}{2}$	38..	539 990517....	6....	WASHER $\frac{3}{8}$ STD FLT
18..	539 102587....	6....	GROMMET, BUMPER	39..	539 990188..	18....	WASHER $\frac{5}{16}$ SAE FLAT
19..	539 102526....	1....	LIFT PIN	40..	539 990055....	2....	WASHER $\frac{1}{4}$ FLAT SAE
20..	539 976989....	1....	HAIRPIN	41..	539 990598....	6....	WASHER $\frac{1}{4}$ FLAT
21..	539 101341....	8....	HCS $\frac{3}{8}$ -16 x 3	42..	539 109554....	2....	WASHER $\frac{1}{2}$ FLAT

# ENGINE PLATE

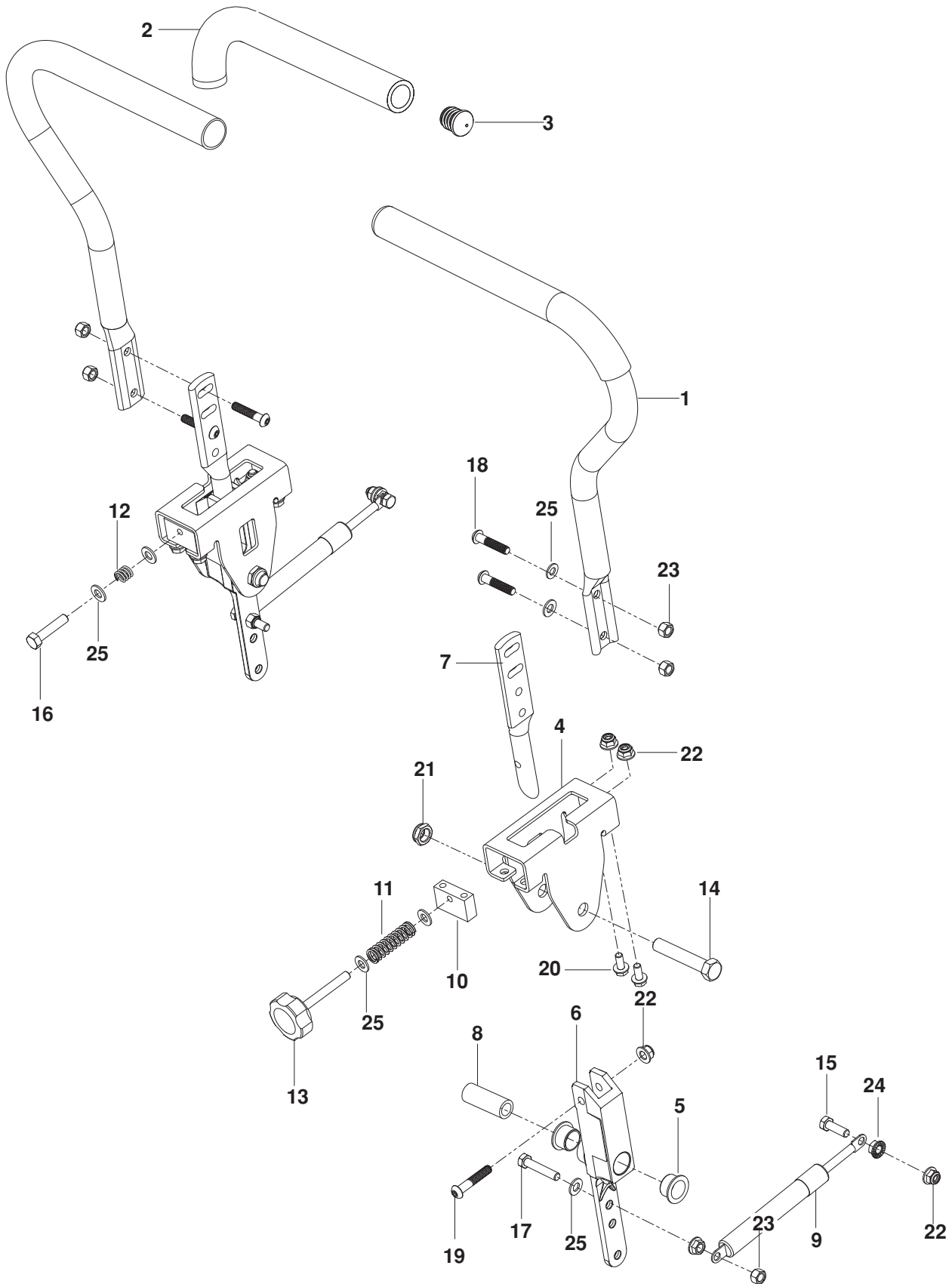


# ENGINE PLATE

---

ITEM	PART NO.	QTY.	DESCRIPTION	ITEM	PART NO.	QTY.	DESCRIPTION
1..	574 734402....	1....	PLATE, ENGINE BLK	17..	539 109389....	1....	HCS $\frac{3}{8}$ -16 x 3 $\frac{1}{2}$
2..	532 400008....	1....	CLUTCH	18..	532 120616....	4....	HHFS $\frac{3}{8}$ -16 x 1 THD FRM
3..	532 159955....	1....	EXHAUST TUBE, RT	19..	539 107475....	4....	BOLT $\frac{5}{16}$ -18 x $\frac{3}{4}$ THD FRM
4..	532 160589....	1....	EXHAUST TUBE, LT	20..	539 110025....	4....	BOLT $\frac{5}{16}$ -16 x 1 $\frac{1}{2}$ THD FRM
5..	510 260402....	1....	BRACKET, MUFFLER BLK	21..	539 990316....	2....	RHSNB $\frac{5}{16}$ -18 x $\frac{3}{4}$
6..	539 112092....	1....	ARM, IDLER	22..	539 976979....	2....	NUT $\frac{3}{8}$ -16 HEX NYLOC
7..	539 101231....	1....	SPINDLE, IDLER	23..	539 101331....	1....	NUT $\frac{1}{2}$ -13 HEX NYLOC
8..	539 110311....	1....	PULLEY, IDLER	24..	539 112899....	6....	NUT $\frac{5}{16}$ -18 HEX FLG NYLOC
9..	539 114530....	1....	PULLEY, ENGINE	25..	539 110064....	1....	WASHER, CLUTCH
10..	577 094601....	1....	SPACER	26..	539 109554....	2....	WASHER $\frac{1}{2}$ FLT
11..	522 459710....	1....	STOP, CLUTCH BLK	27..	539 990692....	2....	WASHER $\frac{5}{16}$ STD FLT
12..	510 260502....	1....	GUARD, MUFFLER BLK	28..	539 112670....	1....	WASHER, HEAVY
13..	539 131604....	1....	MUFFLER ASSY TWIN	NOT SHOWN			
14..	532 196105....	1....	SPRING, DECK DRIVE		532 198316....	1....	HARNES, ADAPTOR
15..	576 968001....	1....	HCS $\frac{7}{16}$ -20 x 2 $\frac{1}{2}$		539 132859....	1....	SHIELD, HEAT
16..	539 103433....	1....	HCS $\frac{1}{2}$ -13 x 3 $\frac{1}{4}$				

# STEERING



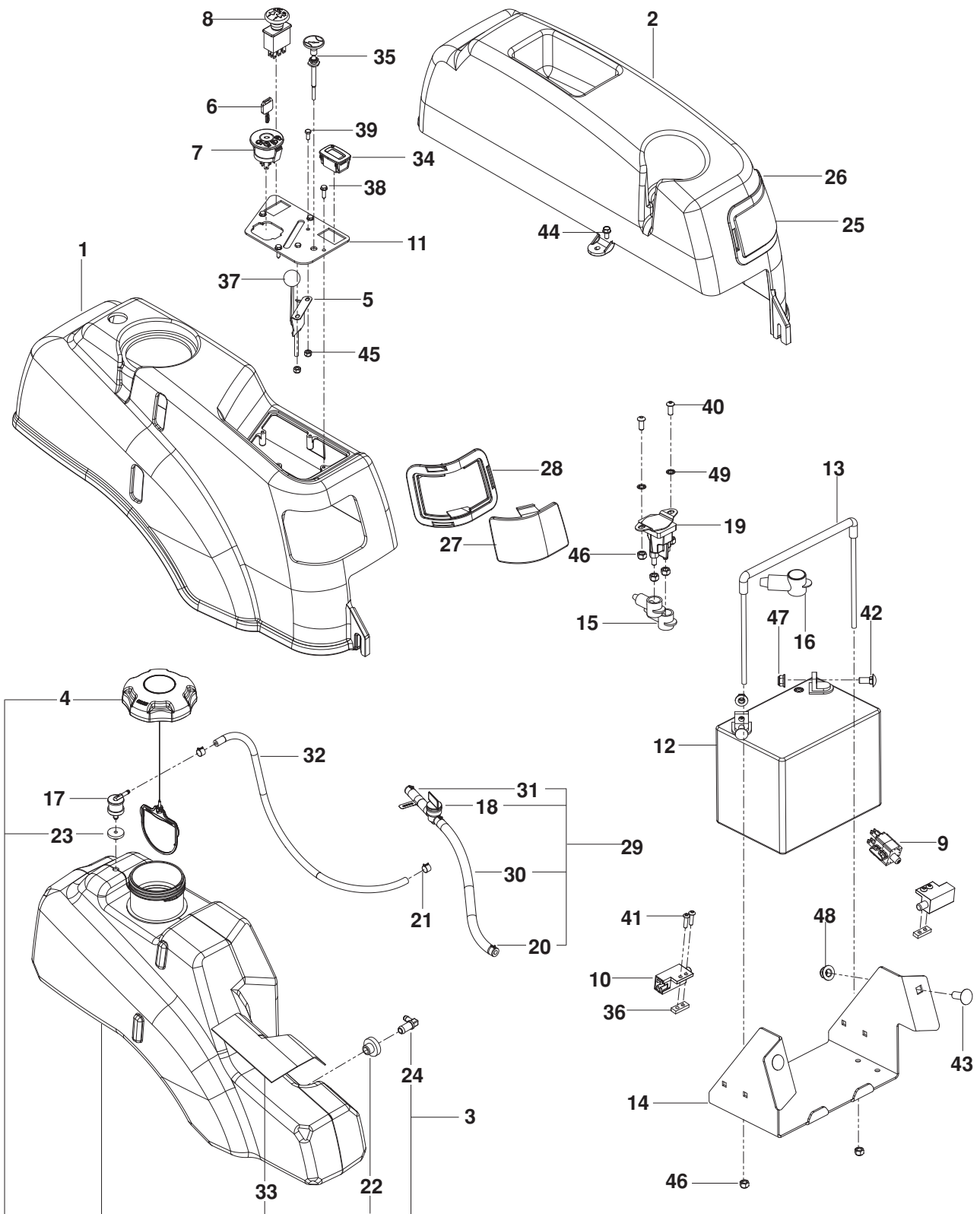


# STEERING

---

ITEM	PART NO.	QTY.	DESCRIPTION	ITEM	PART NO.	QTY.	DESCRIPTION
1..	579 090901....	2....	LEVER w/ GRIP	14..	539 101332....	2....	HCS 1/2-13 x 2 3/4
2..	539 122635....	2....	GRIP, FOAM	15..	539 990209....	2....	HCS 5/16-18 x 1
3..	539 122636....	2....	PLUG	16..	539 976935....	1....	HCS 5/16-18 x 1 1/2
4..	577 251701....	2....	BRACKET, CONTROL	17..	539 108394....	2....	HCS 5/16-18 x 1 3/4
5..	539 131518....	4....	BEARING, FLANGE	18..	578 296402....	6....	SCREW 5/16-18 X 1 1/2 BTN HD
6..	576 140301....	2....	LEVER, CONTROL	19..	576 850402....	2....	SCREW 5/16-18 X 1 3/4 BTN HD
7..	577 420001....	2....	LEVER, HANDLE	20..	525 464701....	8....	HHFS 5/16-18 X 3/4
8..	577 252401....	2....	SPACER, PIVOT CONTROL	21..	539 108010....	2....	NUT 1/2-13 HEX JAM NYL GR2
9..	539 102720....	2....	DAMPENER	22..	539 112899..	10....	NUT 5/16-18 HEX FLG NYLOC
10..	577 251801 ...	2....	BLOCK, TRACKING	23..	539 990717....	6....	NUT 5/16-18 HEX NYLOC
11..	576 850301....	1....	SPRING	24..	539 990585....	4....	NUT 5/16-18 HEX WHIZLK
12..	539 102845....	1....	SPRING	25..	539 990188..	10....	WASHER 5/16 SAE FLT
13..	539 131799....	1....	KNOB				

# IGNITION

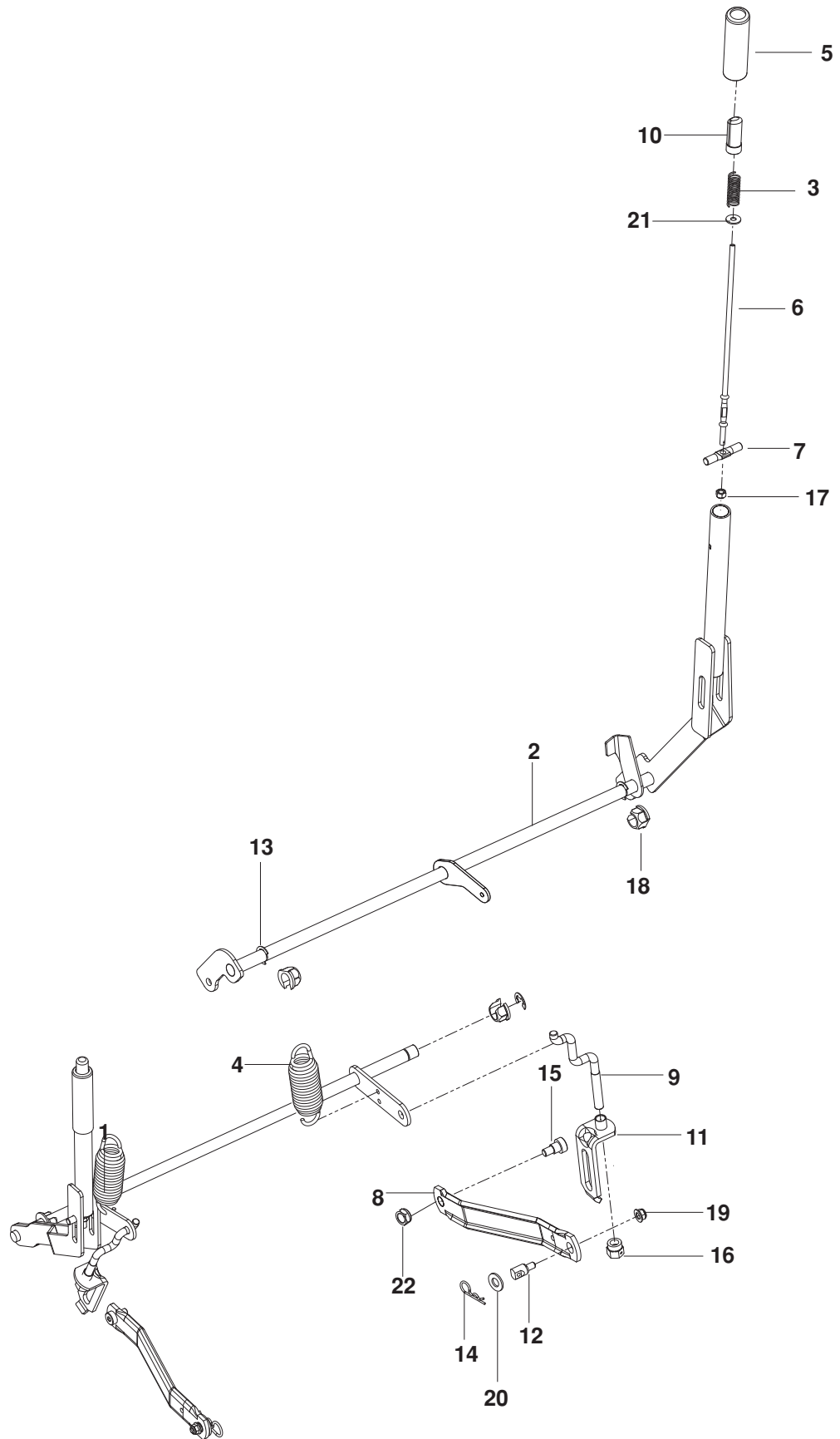


# IGNITION

---

ITEM	PART NO.	QTY.	DESCRIPTION	ITEM	PART NO.	QTY.	DESCRIPTION
1..	578 178901....	1....	FENDER, RT GRY	29..	576 660701....	1....	FUEL LINE ASSY
2..	539 130374....	1....	FENDER, LT GRY	30..	539 932956....	1....	FUEL LINE 10"
3..	578 180601....	1....	TANK ASSY, FUEL	31..	505 215101....	1....	FUEL LINE 2½"
4..	575 018101....	1....	CAP, FUEL w/ TETHER	32..	576 660605....	1....	FUEL LINE ¾/16 x 15"
5..	539 112734....	1....	CABLE, THROTTLE	33..	522 559101....	1....	SHIELD, HEAT
6..	532 140401....	1....	KEY, IGNITION	34..	576 179401....	1....	HOUR METER
7..	539 107541....	1....	SWITCH, IGNITION	35..	539 112439....	1....	CONTROL, CHOKE
8..	532 174652....	1....	SWITCH, CLUTCH	36..	539 102678....	2....	PLATE, TAPPED
9..	539 113792....	1....	SWITCH, BRAKE	37..	539 133049....	1....	KNOB
10..	532 109553....	2....	SWITCH, NC	38..	539 110673....	2....	SCREW 10-24 x ¾ WSH HD
11..	539 112735....	1....	PANEL, CONTROL	39..	539 990411....	2....	SCREW 10-24 x ½ HEX HD
12..	539 102436....	1....	BATTERY	40..	539 111229....	2....	SCREW ¼-20 x ⅝ BTN SKT
13..	539 131209....	1....	TIE DOWN, BATTERY	41..	574 822701....	4....	SCREW 10-24 x ¾ SKT HD
14..	510 231302....	1....	BOX, BATTERY BLK	42..	539 990316....	2....	RHSNB ⅝/16-18 x ¾
15..	539 116400....	3....	TERMINAL COVER	43..	539 990645....	2....	RHSNB ⅜-16 x 1
16..	539 102759....	1....	INSULATOR	44..	539 108461....	2....	BOLT ¼-20 x ½
17..	576 618101....	1....	VALVE, FUEL CHECK	45..	539 976977....	2....	NUT 10-24 HEX NYLOC
18..	539 916325....	1....	VALVE, FUEL	46..	539 976978....	6....	NUT ¼-20 HEX NYLOC
19..	539 101714....	1....	SOLENOID	47..	539 112899....	2....	NUT ⅝/16-18 FLANGE NYLOC
20..	539 912222....	4....	CLAMP, HOSE	48..	521 996501....	2....	NUT ⅜-16 HEX FLG NYLOC
21..	575 436501....	2....	CLAMP, HOSE	49..	539 990053....	2....	WASHER ¼ ITLW
22..	539 105245....	1....	GROMMET, RUBBER	NOT SHOWN			
23..	576 618201....	1....	GROMMET, CHECK VALVE	515	980501....	1....	HARNESS, WIRING
24..	539 110432....	1....	ELBOW	539	114071....	1....	HARNESS, HEADLIGHT
25..	539 110056....	1....	LENS, LT	539	103306....	2....	POSITIVE CABLE, LONG
26..	539 110455....	1....	RIM, LT	539	110068....	1....	BATTERY CABLE NEGATIVE
27..	539 110057....	1....	LENS, RT				
28..	539 110451....	1....	RIM, RT				

# BRAKE / LIFT

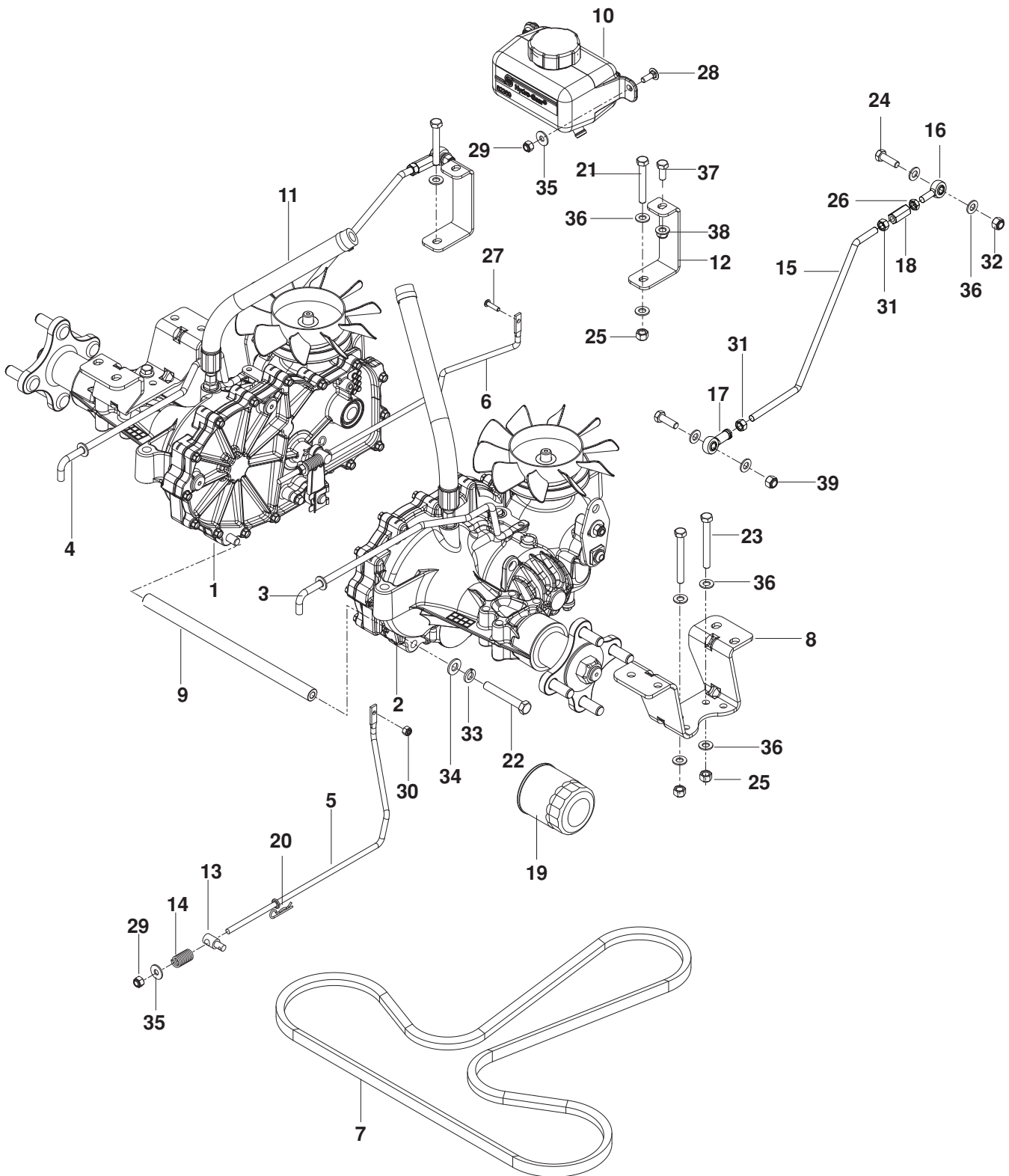


## BRAKE / LIFT

---

ITEM	PART NO.	QTY.	DESCRIPTION	ITEM	PART NO.	QTY.	DESCRIPTION
1..	574 216602....	2....	ARM, LIFTING BLK	12..	532 195161....	2....	STUD w/ANTI- ROTATE
2..	522 710802....	1....	SHAFT, BRAKE BLK	13..	539 105069....	3....	E-RING
3..	510 030701....	2....	SPRING, COMPRESSION	14..	539 976989....	2....	HAIRPIN
4..	539 118762....	2....	SPRING	15..	539 113621....	2....	BOLT $\frac{3}{8}$ -16 x $\frac{3}{8}$ SKT HD
5..	510 207201....	2....	GRIP, HANDLE BLK	16..	532 175994....	2....	NUT, LIFT LINK
6..	510 422901....	2....	ROD, HANDLE RELEASE	17..	539 976978....	2....	NUT $\frac{1}{4}$ -20 HEX NYLOC
7..	516 008801....	2....	ROD, LATCH RELEASE	18..	510 184901....	4....	NUT, PLASTIC
8..	532 195185....	2....	ARM, SUSPENSION RR	19..	539 112899....	2....	NUT $\frac{5}{16}$ -18 FLANGE NYLOC
9..	525 847201....	2....	LINK, REAR SUSPENSION	20..	539 976982....	2....	WASHER $\frac{5}{8}$ SAE FLT
10..	510 207301....	2....	BUTTON, PUSH BLK	21..	539 990598....	4....	WASHER $\frac{1}{4}$ FLT
11..	522 858601....	2....	BRACKET, LIFT	22..	539 200282....	2....	NUT $\frac{3}{8}$ -16 JAM NYLOC

# HYDRAULIC PUMP / MOTOR

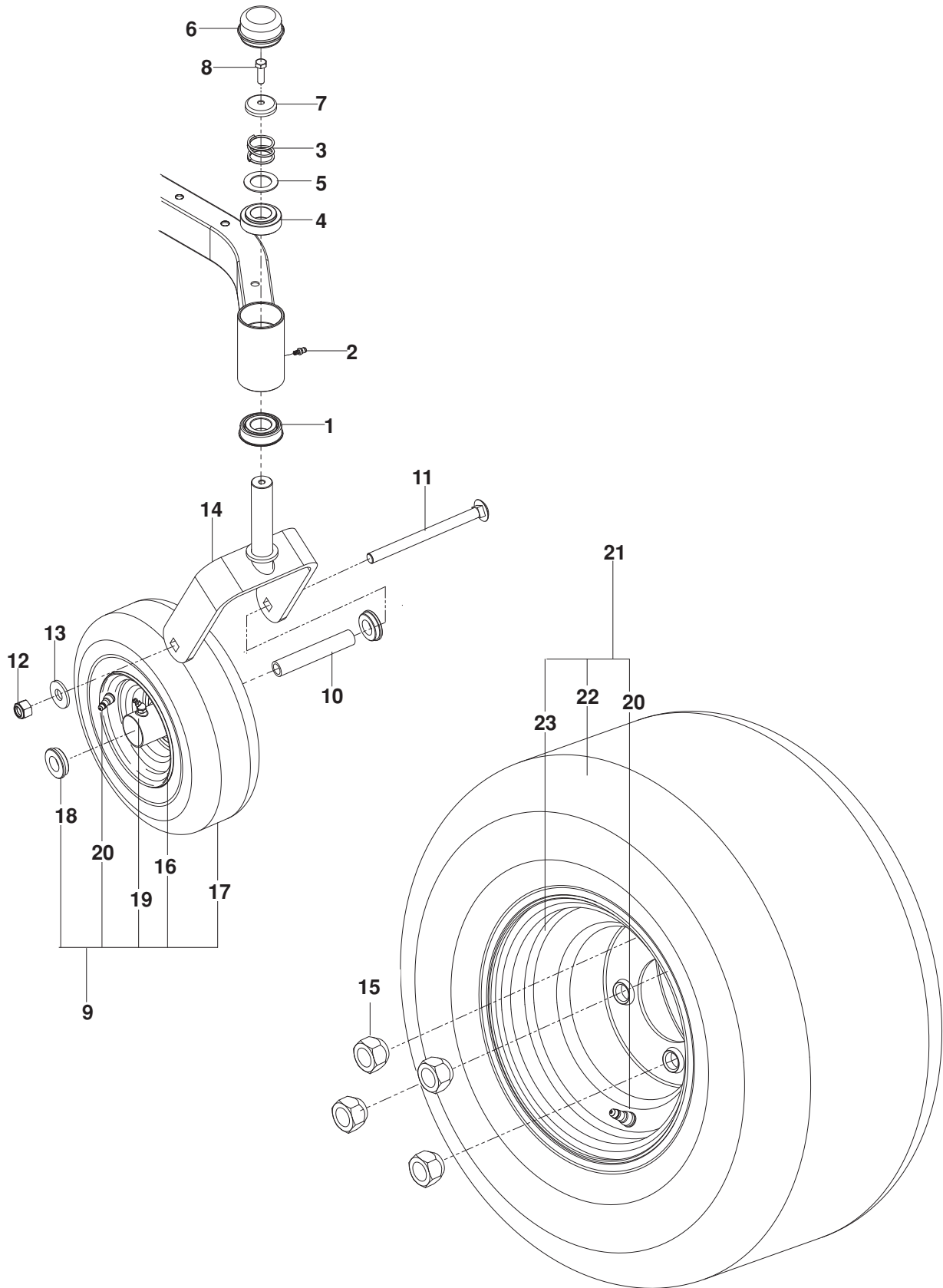


# HYDRAULIC PUMP / MOTOR

---

ITEM	PART NO.	QTY.	DESCRIPTION	ITEM	PART NO.	QTY.	DESCRIPTION
1..	522 447402....	1....	TRANS, ZT-2800 RT	21..	539 976938....	2....	HCS $\frac{5}{16}$ -18 x 2 $\frac{1}{4}$
2..	522 447401....	1....	TRANS, ZT-2800 LT	22..	539 108551....	2....	HCS $\frac{3}{8}$ -16 x 2 $\frac{1}{4}$ GR8
3..	522 706002....	1....	LINK ARM, BYPASS, RT	23..	539 101721....	4....	HCS $\frac{5}{16}$ -18 x 2 $\frac{3}{4}$
4..	522 706001....	1....	LINK ARM, BYPASS, LT	24..	539 990209....	4....	HCS $\frac{5}{16}$ -18 x 1
5..	574 030502....	1....	LINKAGE, BRAKE RT	25..	539 990717....	8....	NUT $\frac{5}{16}$ -18 HEX NYLOC
6..	574 030501....	1....	LINKAGE, BRAKE LT	26..	539 991073....	1....	NUT $\frac{5}{16}$ -24 HEX JAM LH
7..	539 120772....	1....	BELT, HYDRO	27..	539 108535....	1....	SCREW #10-24 x $\frac{3}{4}$
8..	510 185102....	2....	EZT MOUNT, REAR	28..	539 990074....	2....	RHSNB $\frac{1}{4}$ -20 x $\frac{3}{4}$ GR2
9..	510 184103....	1....	SPACER TUBE, EZT	29..	539 976978....	4....	NUT $\frac{1}{4}$ -20 HEX NYLOC
10..	539 112318....	1....	EXPANSION TANK w/CAP	30..	539 976977....	1....	NUT 10-24 HEX NYLOC
11..	522 439801....	2....	HOSE ASSY	31..	539 990223....	2....	NUT $\frac{5}{16}$ -24 HEX
12..	522 460702....	2....	SUPPORT, TRANSMISSION	32..	539 115617....	2....	NUT $\frac{5}{16}$ -18, NYLOC
13..	539 112308....	2....	SWIVEL, BRAKE	33..	539 990118....	2....	WASHER $\frac{3}{8}$ SPLT LOCK
14..	539 101224....	2....	SPRING	34..	539 990122....	2....	WASHER $\frac{3}{8}$ SAE FLT
15..	522 656101....	1....	ROD, MOTION CONTROL	35..	539 990598....	4....	WASHER $\frac{1}{4}$ FLT
16..	539 115729....	1....	ROD END RH	36..	539 990188..	16....	WASHER $\frac{5}{16}$ SAE FLT
17..	539 116690....	1....	ROD END MALE LH	37..	539 976934....	2....	HCS $\frac{5}{16}$ -18 x $\frac{3}{4}$
18..	539 116689....	1....	COUPLER, ROD END	38..	539 112899....	2....	NUT $\frac{5}{16}$ -18 FLANGE NYLOC
19..	539 113466....	2....	FILTER	39..	539 991073....	2....	NUT $\frac{5}{16}$ -18 NYLOC INSERT
20..	539 976988....	2....	HAIRPIN COTTER				

# WHEELS AND TIRES



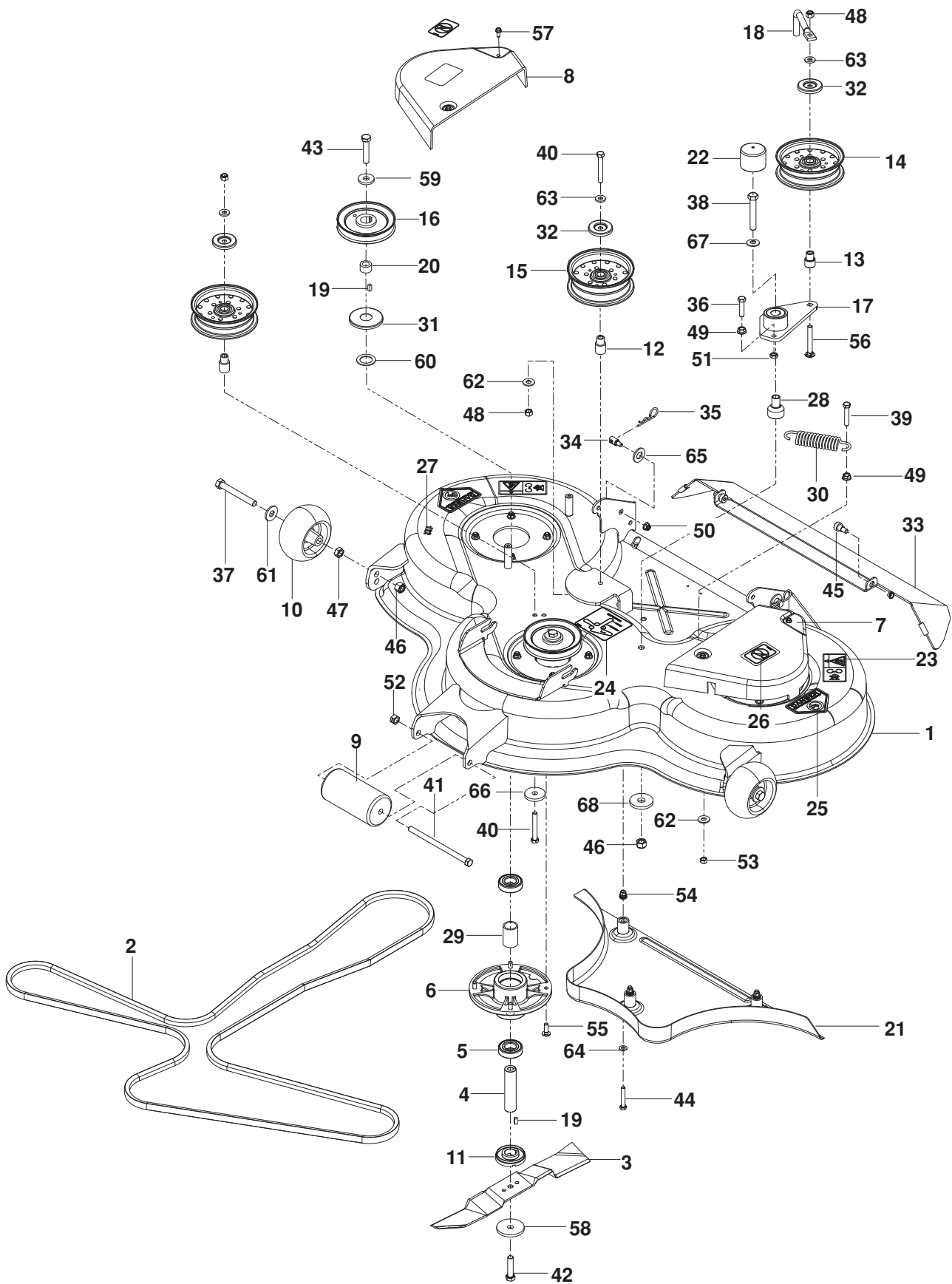


# WHEELS AND TIRES

---

ITEM	PART NO.	QTY.	DESCRIPTION	ITEM	PART NO.	QTY.	DESCRIPTION
1..	539 112660....	2....	BEARING, FLANGED	13..	539 109554....	2....	WASHER ½ FLAT
2..	539 115638....	2....	ZERK ¾ DRIVE	14..	576 588802....	2....	YOKE, ORG
3..	539 115747....	2....	SPRING, CASTER	15..	539 101173....	8....	NUT ½ LUG
4..	539 117901....	2....	BUSHING, CASTER	16..	539 106994....	2....	RIM
5..	539 115675....	2....	WASHER	17..	539 114697....	2....	CASTER TIRE, 410-5 4 PLY
6..	539 102535....	2....	GREASE CAP	18..	576 617801....	4....	BEARING, FLANGED
7..	539 115749....	2....	PLUG, CASTER	19..	539 103300....	2....	ZERK
8..	539 115566....	2....	HCB w/ NY ⅝-18 x 1	20..	539 912234....	4....	VALVE STEM
9..	576 588601....	2....	CASTER TIRE ASSY	21..	539 131110....	2....	WHEEL ASSY 20 x 8
10..	576 588901....	2....	SPACER	22..	539 131109....	2....	TIRE, REAR 20 x 8
11..	576 601501....	2....	RHSNB ½-13 x 7½	23..	539 112217....	2....	RIM 8 x 7 w/ .8" OFFSET
12..	539 200100....	2....	NUT ½ HEX CNTRLK				

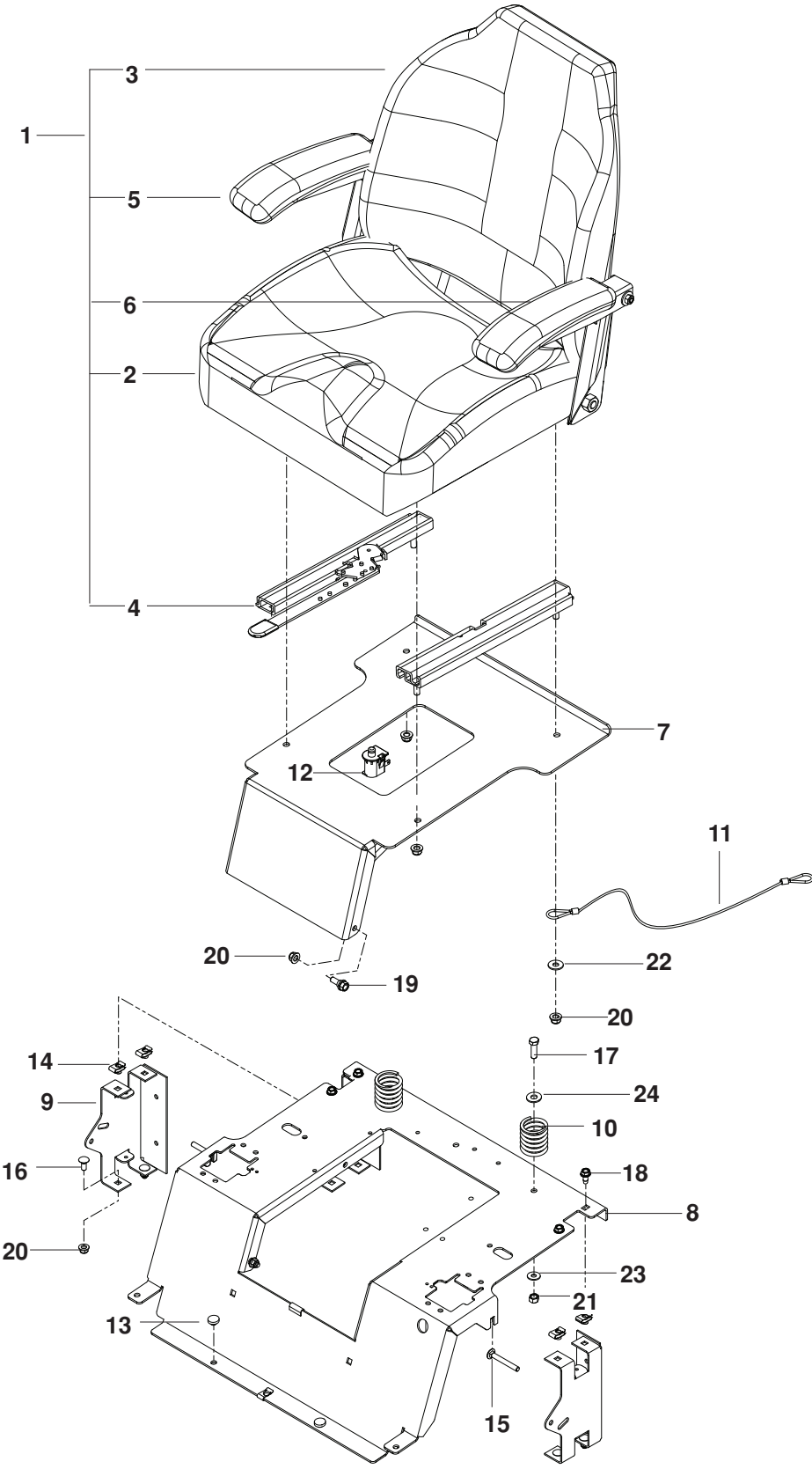
# MOWER DECK / CUTTING DECK



# MOWER DECK / CUTTING DECK

ITEM	PART NO.	QTY.	DESCRIPTION	ITEM	PART NO.	QTY.	DESCRIPTION
1..	516 008402....	1....	DECK w/ SFTY DECALS ORG	35..	539 976989....	2....	HAIRPIN
2..	539 107095....	1....	BELT	36..	539 107042....	1....	HCS 3/8-16 x 1 1/2 GR 8
3..	535 429401....	3....	BLADE	37..	539 108366....	2....	HCS 1/2-13 x 4
4..	535 428702....	3....	AXLE	38..	539 101572....	1....	HCS 1/2-13 x 3
5..	738 220519....	6....	BEARING	39..	539 990588....	1....	HCS 3/8-16 x 2
6..	535 428901....	3....	HOUSING, BEARING	40..	539 102612....	2....	HCS 3/8-16 x 2 3/4
7..	525 579801....	1....	BELT SHIELD, LT	41..	539 132470....	1....	HCS 7/16 x 14 x 7
8..	525 579802....	1....	BELT SHIELD, RT	42..	539 132480....	3....	HCS M12 x 1.75 x 50 GR8.8
9..	544 185401....	1....	ROLLER	43..	539 132479....	3....	HCS M12 x 1.75 x 60 GR8.8
10..	539 107610....	2....	WHEEL, GAUGE	44..	539 132494....	3....	HCS M8 x 1.25 x 50 GR8.8
11..	539 132778....	3....	BUSHING, BLADE	45..	539 113621....	2....	BOLT 3/8-16 x 3/8 SHOULDER
12..	539 103295....	2....	BUSHING, IDLER	46..	539 101331....	3....	NUT 1/2 HEX NYLOC
13..	539 130242....	1....	BUSHING, IDLER	47..	539 990625....	2....	NUT 1/2-13 HEX JAM ZN
14..	539 103257....	2....	PULLEY, IDLER	48..	539 976979....	3....	NUT 3/8-16 HEX NYLOC
15..	539 103258....	1....	PULLEY, IDLER (TALL)	49..	539 990613....	2....	NUT 3/8-16 HEX WHIZLK
16..	539 132895....	3....	PULLEY, 48	50..	539 112899..	14....	NUT 5/16-18 HEX FLG NYLOC
17..	539 130391....	1....	ARM, IDLER w/ BEARINGS	51..	539 109332....	1....	NUT 3/8-16 HEX JAM
18..	522 629701....	1....	KEEPER, BELT	52..	539 990839....	1....	NUT 7/16-14 HEX CTRLK GR A
19..	506 533501....	6....	KEY	53..	539 200282....	3....	NUT 3/8-16 HEX JAM NYLOC
20..	539 112609....	3....	RETAINER, KEY	54..	506 916201....	3....	NUT, RIVET
21..	535 428302....	1....	PLUG, MULCH ORG	55..	539 990208..	12....	RHSNB 5/16-18 x 1
22..	539 114823....	1....	CAP, VINYL	56..	539 130235....	1....	RHSNB 3/8-16 x 2 3/4
23..	539 105744....	2....	DECAL, BELT DRIVES	57..	539 990362....	4....	SCREW 1/4-20 x 5/8 SLF TAP
24..	539 112620....	1....	DECAL, BELT ROUTING	58..	506 792302....	3....	WASHER
25..	539 913010....	2....	DECAL, BLADE WARNING	59..	539 115550....	3....	WASHER
26..	539 105743....	2....	DECAL, NO STEP	60..	539 127099....	3....	WASHER
27..	539 112535....	1....	DECAL, 122	61..	539 109554....	2....	WASHER 1/2 FLAT
28..	510 206301....	1....	PIVOT, BEARING	62..	539 990517....	2....	WASHER 3/8 STD FLT
29..	535 428801....	3....	SPACER	63..	522 023401....	2....	WASHER 3/8 THICK
30..	539 103256....	1....	SPRING	64..	539 990188....	3....	WASHER 5/16 SAE FLAT
31..	539 108449....	2....	DUST CAP, BOTTOM	65..	539 976982....	2....	WASHER 5/8 SAE FLT
32..	510 254501....	3....	SHIELD, DUST	66..	539 106504....	1....	WASHER, HEAVY
33..	516 008502....	1....	GUARD, DISCHARGE, BLK	67..	539 115528....	1....	WASHER 1/2 BELLEVILLE
34..	532 195161....	2....	STUD w /ANTI ROTATE	68..	539 102243....	1....	WASHER, SUPPORT

# SEAT

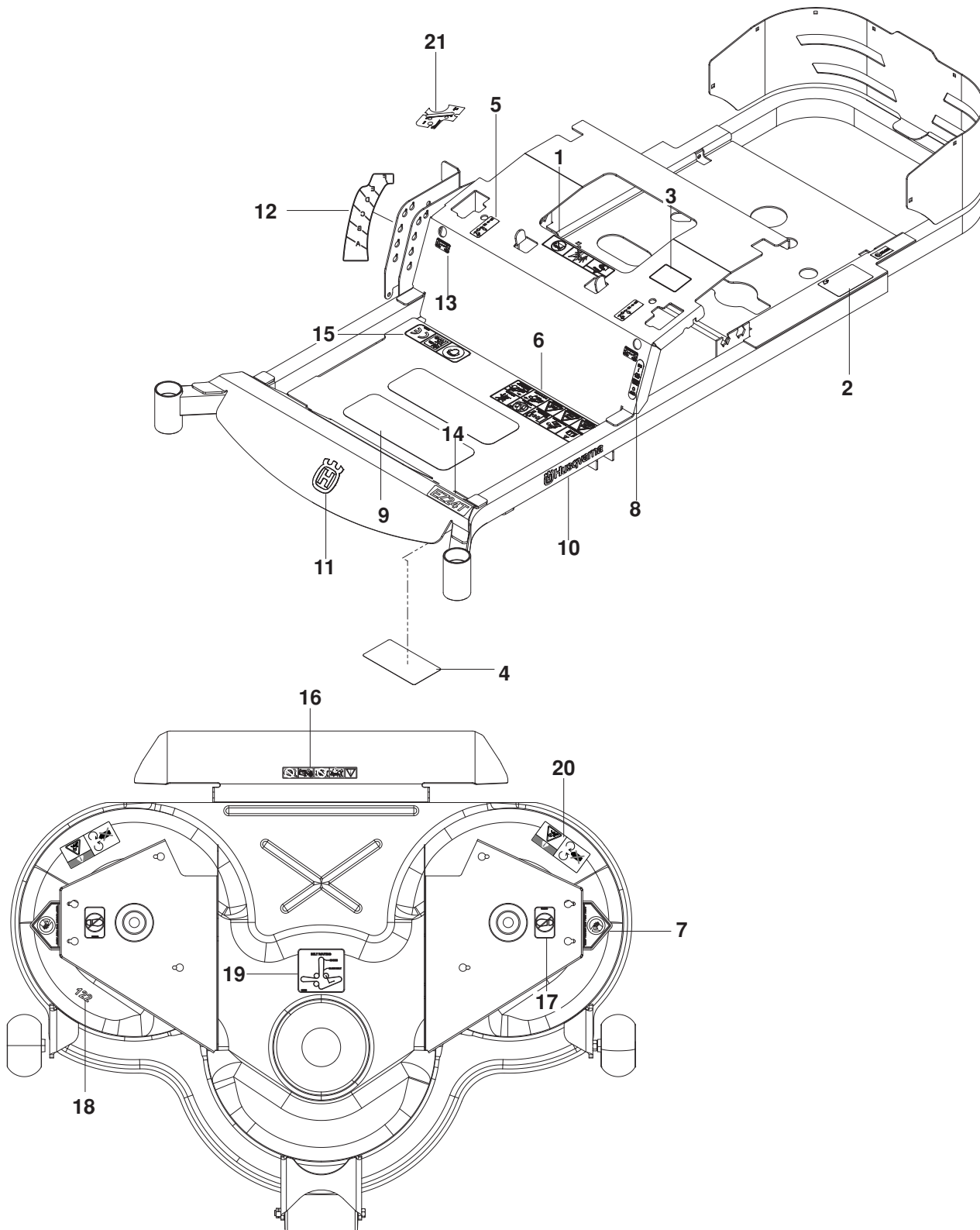


# SEAT

---

ITEM	PART NO.	QTY.	DESCRIPTION	ITEM	PART NO.	QTY.	DESCRIPTION
1..	576 702001....	1....	SEAT	13..	539 102587....	2....	GROMMET, BUMPER
2..	576 702002....	1....	CUSHION, SEAT	14..	539 104763....	5....	RETAINER, U TYPE
3..	576 702003....	1....	BACK, SEAT	15..	510 422701....	2....	RHSNB $\frac{5}{16}$ -18 x $2\frac{1}{2}$
4..	576 702004....	1....	ADJUSTMENT TRACK ASSY	16..	539 990316....	4....	RHSNB $\frac{5}{16}$ -18 x $\frac{3}{4}$
5..	576 702005....	2....	PAD, ARM	17..	539 976941....	2....	HCS $\frac{3}{8}$ -16 x $1\frac{1}{4}$
6..	576 702006....	1....	ARM ASSY LT	18..	539 107475....	4....	BOLT $\frac{5}{16}$ -18 x $\frac{3}{4}$ , THD FRM
	576 702007....	1....	ARM ASSY RT	19..	539 130896....	2....	BOLT $\frac{5}{16}$ -18 SHOULDER
7..	576 916802....	1....	PAN, SEAT ORG	20..	539 112899..	10....	NUT $\frac{5}{16}$ -18 FLANGE NYLOC
8..	522 545402....	1....	SUPPORT, SEAT ORG	21..	539 976979....	2....	NUT $\frac{3}{8}$ -16 HEX NYLOC
9..	574 522702....	2....	SUPPORT, REAR SEAT BLK	22..	539 990692....	1....	WASHER $\frac{5}{16}$ STD FLAT
10..	539 110300....	2....	SPRING, SEAT	23..	539 990122....	4....	WASHER $\frac{3}{8}$ SAE FLT
11..	539 103247....	1....	LANYARD	24..	539 990517....	2....	WASHER $\frac{3}{8}$ STD FLT
12..	539 119741....	1....	SWITCH, SEAT				

# DECALS



# DECALS

---

ITEM	PART NO.	QTY.	DESCRIPTION	ITEM	PART NO.	QTY.	DESCRIPTION
1..	539 105745....	1....	DECAL, BATTERY WARNING	12..	576 979101....	1....	DECAL, HEIGHT
2..	539 108385....	1....	DECAL, DO NOT TOW	13..	539 110974....	2....	DECAL, TRACKING
3..	539 108386....	1....	DECAL, EXIT MOWER	14..	521 949322....	1....	DECAL, EZ24T
4..	539 109897....	1....	DECAL, SERVICE	15..	539 105829....	1....	DECAL, SOUND POWER
5..	539 103333....	2....	DECAL, MOTION CONTROL	16..	532 196357....	1....	DECAL, WARNING
6..	539 109908....	1....	DECAL, SAFETY WARNING	17..	539 105743....	2....	DECAL, NO STEP
7..	539 913010....	2....	DECAL, BLADE WARNING	18..	539 112535....	1....	DECAL, 122
8..	539 120006....	1....	DECAL, PARK BRAKE	19..	539 112620....	1....	DECAL, BELT ROUTING
9..	539 977778....	3....	ABRASIVE PAD	20..	539 105744....	2....	DECAL, BELT DRIVES
10..	532 429196....	2....	DECAL, HUSQVARNA	21..	576 916702....	1....	DECAL, CONTROLS
11..	532 428676....	2....	DECAL, CROWN H				



115 38 64-27 Rev F

2012-02-28