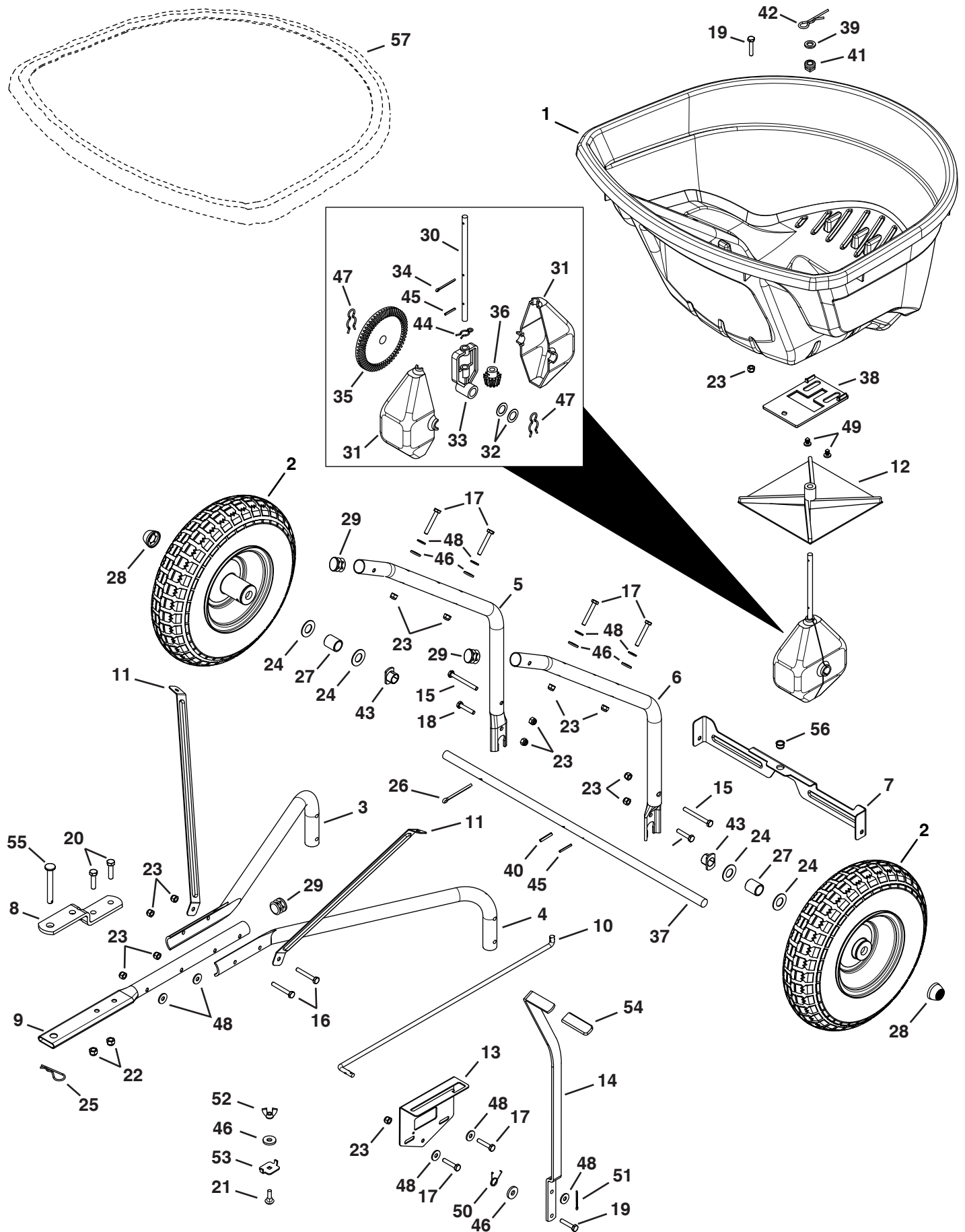


REPAIR PARTS FOR 967 02 72-01 130 LB. TOW SPREADER



REPAIR PARTS FOR 967 02 72-01 130 LB.TOW SPREADER

REF	QTY	PART NO	DESCRIPTION	REF	QTY	PART NO	DESCRIPTION
1	1	577 15 75-01	Hopper	30	1	577 15 97-01	Shaft, Spreader
2	2	577 15 83-01	Wheel	31	2	577 15 98-01	Housing, Large Gear
3	1	577 15 76-01	Tube, Hitch Support	32	2	577 15 99-01	Washer, .625 x 1.0 x .03
4	1	577 15 78-01	Tube, Hitch Support	33	1	577 16 00-01	Yoke, Large
5	1	580 74 29-01	Tube, Hopper Support	34	1	577 77 68-01	Cotter Pin, 1/8 x 1-1/2
6	1	580 74 30-01	Tube, Hopper Support	35	1	577 16 01-01	Gear, Large (Cast)
7	1	580 74 31-01	Cross Brace	36	1	577 16 02-01	Gear, Small (Cast)
8	1	531 00 27-72	Bracket, Hitch	37	1	577 16 03-01	Axle
9	1	580 74 39-01	Tube, Hitch	38	1	580 74 45-01	Plate, Flow
10	1	580 74 40-01	Rod, Flow Control	39	1	522 59 17-01	Spacer
11	2	580 74 41-01	Brace, Hopper	40	1	531 00 76-18	Pin, Spring, 3/16 x 1
12	1	531 00 27-55	Spreader Impeller	41	1	580 74 47-01	Bushing, Hopper Bottom Black
13	1	580 74 42-01	Bracket, Flow Control Mount	42	1	531 00 76-93	Hairpin, Agitator
14	1	580 74 43-01	Arm, Flow Control	43	2	577 16 07-01	Bearing, Flat Sided Flange
15	2	501 34 78-01	Bolt, Hex 1/4-20 x 2-1/2	44	1	577 16 06-01	Clip, Hairpin 5/8
16	2	577 16 15-01	Bolt, Hex 1/4-20 x 2	45	2	531 00 27-77	Pin, Spring 1/8 x 1
17	6	577 15 84-01	Bolt, Hex 1/4-20 x 1-3/4	46	6	506 62 63-01	Washer, Nylon .3281 x .75
18	2	577 15 85-01	Bolt, Hex 1/4-20 x 1-1/2	47	2	577 16 08-01	Clip, Hairpin 7/8
19	2	531 00 76-2	Bolt, Hex 1/4-20 x 1	48	9	522 83 59-01	Washer, 1/4 Std .312 x .734
20	2	531 00 81-17	Bolt, Hex 5/16-18 x 1-1/4	49	2	531 00 76-83	Plug, 1/4"
21	1	531 00 76-37	Bolt, Carriage 1/4-20 x 3/4	50	1	580 74 49-01	Spring, Torsion
22	2	501 02 11-01	Nut, Hex 5/16-18 Nylock	51	1	580 74 50-01	Pin, Cotter 3/32 X 3/4
23	14	504 06 60-01	Nut, Hex 1/4-20 Nylock	52	1	580 74 52-01	Nut, Wing 1/4-20
24	4	577 15 86-01	Washer, .6562 x 1.25 x .0598	53	1	580 74 53-01	Stop, Adjustable
25	1	580 74 44-01	Pin, Hair Cotter 3/32 x 2-5/16	54	1	580 74 54-01	Grip
26	1	577 15 89-01	Pin, Cotter 3/16 x 2	55	1	531 00 81-18	Pin, Hitch 3/8" x 3" Flat Hd
27	2	577 15 87-01	Spacer, .64 ID x .84 OD x 1.00	56	1	501 33 73-01	Bushing, 3/8" Plastic
28	2	577 15 92-01	Hub Cap	57	1	577 16 14-01	Vinyl Cover
29	3	577 15 93-01	Plug, 1" Tube				Owners Manual