

Gasoline containing up to 10% ethanol (E10) is acceptable for use in this machine. The use of any gasoline exceeding 10% ethanol (E10) will void the product warranty.

Parts Manual

MZ6128 BF / 966663702



Please read the operator's manual carefully and make sure you understand the instructions before using the machine.

When you need spare parts or support in service questions, warranty issues, etc., please consult the following professional:

| | | |
|---|--------|--------------|
| | | |
| This manual belongs to the machine with the manufacturing number: | Engine | Transmission |

Manufacturing Number

The machine's manufacturing number can be found on the printed plate affixed to the engine compartment.

Stated on the plate, from the top are:

- The machine's type designation (I.D.).
- The manufacturer's type number (Model).
- The machine's serial number (Serial no.)

Please have the type designation and serial number available when ordering spare parts.

The engine's manufacturing number is stamped on one of the valve covers.

The plate states:

- The engine's model.
- The engine's type.
- Code

Please have these available when ordering spare parts.

The wheel motors and hydrostatic pumps have a barcode decal affixed at the rear.

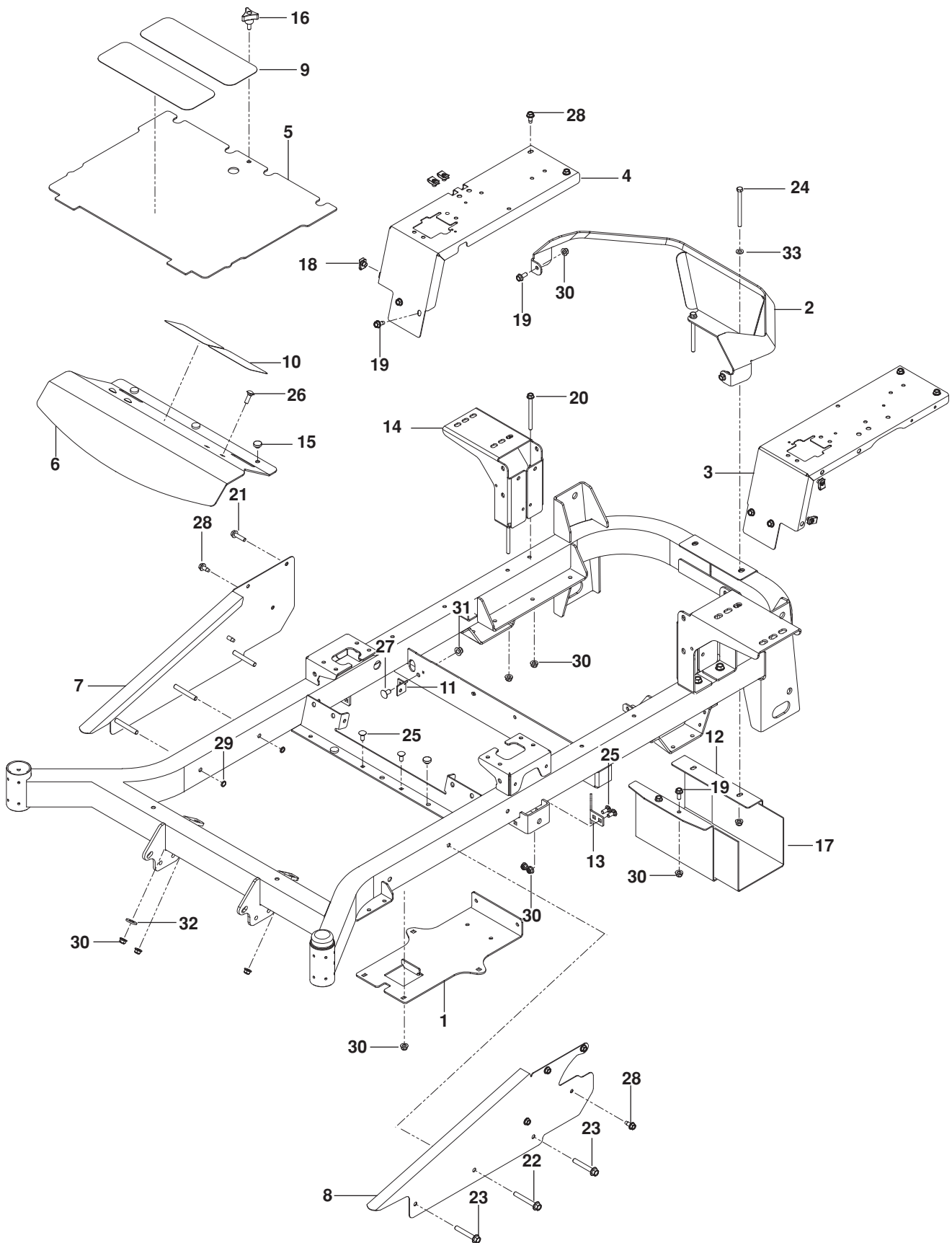
| | |
|------------------------------|------------|
| Accessories Available | |
| Collection System ----- | 966 793101 |
| Mulch Kit ----- | 965 894002 |

CONTENTS

| | | | |
|---------------------------------|----|----------------------------|----|
| FRAME..... | 4 | SEAT | 22 |
| ENGINE PLATE..... | 6 | DECALS | 24 |
| STEERING | 8 | ACCESSORIES | |
| IGNITION..... | 10 | Blower | 26 |
| PARKING BRAKE | 12 | Bagger | 28 |
| HYDRAULIC PUMP-MOTOR..... | 14 | Chutes..... | 30 |
| WHEELS | 16 | Guard, Mount and Belt..... | 32 |
| MOWER LIFT / DECK LIFT..... | 18 | Mulch Kit | 34 |
| MOWER DECK / CUTTING DECK | 20 | | |

NOTE: ALL FASTENERS ARE GRADE 5 UNLESS OTHERWISE SPECIFIED.

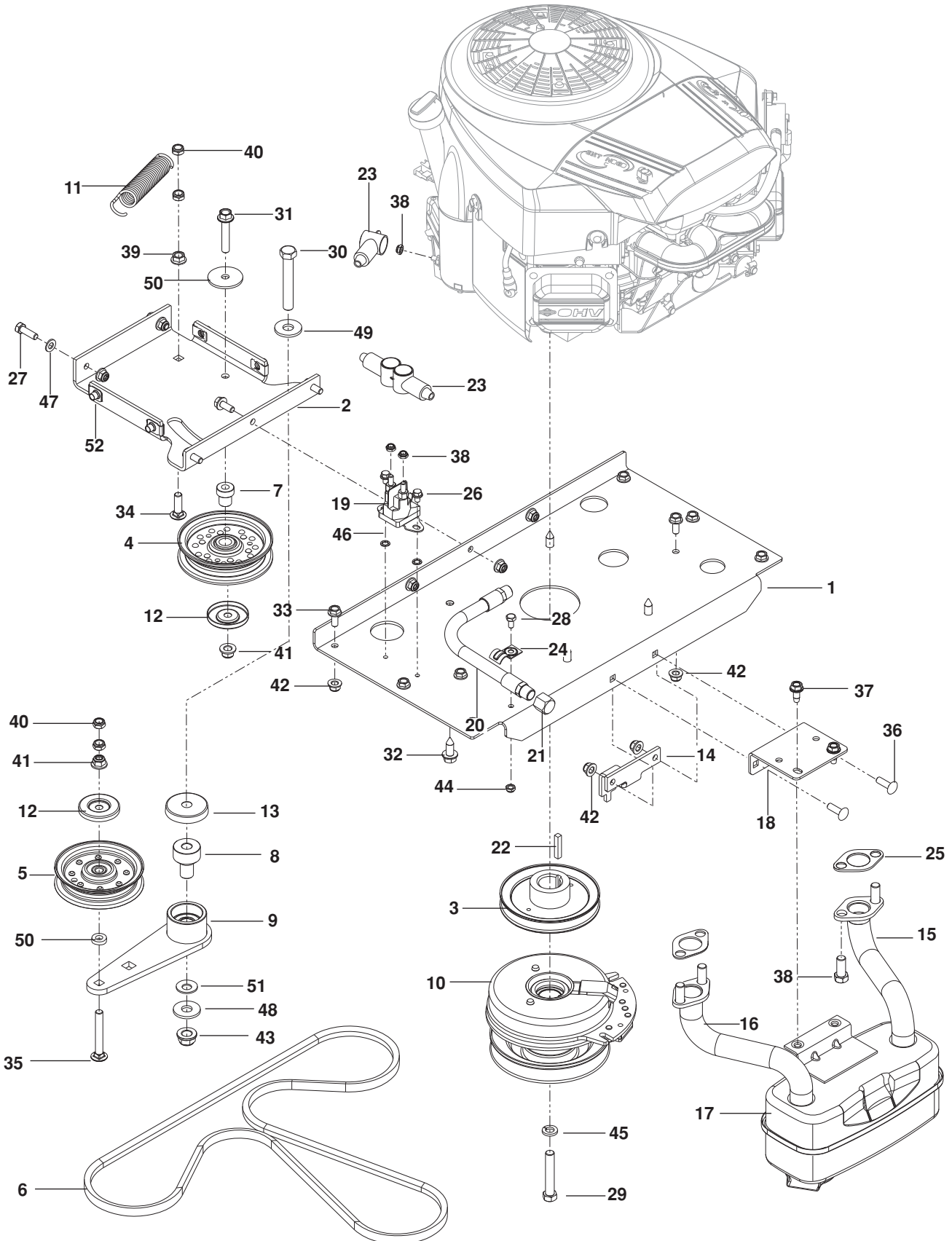
FRAME



FRAME

| ITEM | PART NO. | QTY. | DESCRIPTION | ITEM | PART NO. | QTY. | DESCRIPTION |
|------|----------------|------|-------------------------------|------|----------------|------|--|
| 1.. | 575 017202.... | 1 | PLATE, BATTERY, BLK | 18.. | 539 104763.... | 8 | RETAINER, U TYPE ⁵ / ₁₆ -18 |
| 2.. | 575 348402.... | 1 | GUARD, REAR GRY | 19.. | 525 464701.... | 5 | HHFS ⁵ / ₁₆ -18 x ³ / ₄ |
| 3.. | 577 256802.... | 1 | PANEL, LT ORG | 20.. | 539 131780.... | 4 | HHFS ⁵ / ₁₆ -18 x 3 ³ / ₄ |
| 4.. | 577 256902.... | 1 | PANEL, RT ORG | 21.. | 525 544001.... | 1 | HHFS ⁵ / ₁₆ -18 x 1 ¹ / ₄ TPBLT |
| 5.. | 539 132744.... | 1 | PLATE w/ SAFTY DECAL ORG | 22.. | 539 131781.... | 2 | HHFS ³ / ₈ -16 x 2 ³ / ₄ |
| 6.. | 539 132380.... | 1 | PLATE, FOOTREST ORG | 23.. | 539 133006.... | 4 | HHFS ³ / ₈ -16 x 2 ¹ / ₂ |
| 7.. | 539 131579.... | 1 | SIDE, RT ORG | 24.. | 539 102335.... | 2 | HCS ⁵ / ₁₆ -18 x 4 |
| 8.. | 539 131577.... | 1 | SIDE, LT ORG | 25.. | 539 990316.... | 6 | RHSNB ⁵ / ₁₆ -18 x ³ / ₄ |
| 9.. | 539 977778.... | 2 | PAD, ABRASIVE LG | 26.. | 539 990208.... | 3 | RHSNB ⁵ / ₁₆ -18 x 1 |
| 10.. | 539 121322.... | 2 | PAD, ABRASIVE SM | 27.. | 539 109117.... | 2 | RHSNB ³ / ₈ -16 x ³ / ₄ |
| 11.. | 575 245202.... | 2 | BRACKET, DAMPENER | 28.. | 539 107475.. | 12 | BOLT ⁵ / ₁₆ -18 x ³ / ₄ THD FRM |
| 12.. | 575 230402.... | 1 | SHIELD, MUFFLER BLK | 29.. | 539 200282.... | 6 | NUT ³ / ₈ -16 HEX JAM NYLOC |
| 13.. | 505 256401.... | 2 | STOP, DECK | 30.. | 539 112899.... | 6 | NUT ⁵ / ₁₆ -18 HEX FLANGE NYL |
| 14.. | 575 533602.... | 2 | MOUNT, TANK BLK | 31.. | 521 996501.... | 2 | NUT ³ / ₈ -16 HEX FLG NYLOC |
| 15.. | 539 102587.... | 5 | BUMPER | 32.. | 539 990250.... | 1 | WASHER |
| 16.. | 539 104411.... | 1 | KNOB w/ STUD | 33.. | 539 990188.... | 2 | WASHER ⁵ / ₁₆ SAE FLAT |
| 17.. | 539 132859.... | 1 | SHIELD, HEAT | | | | |

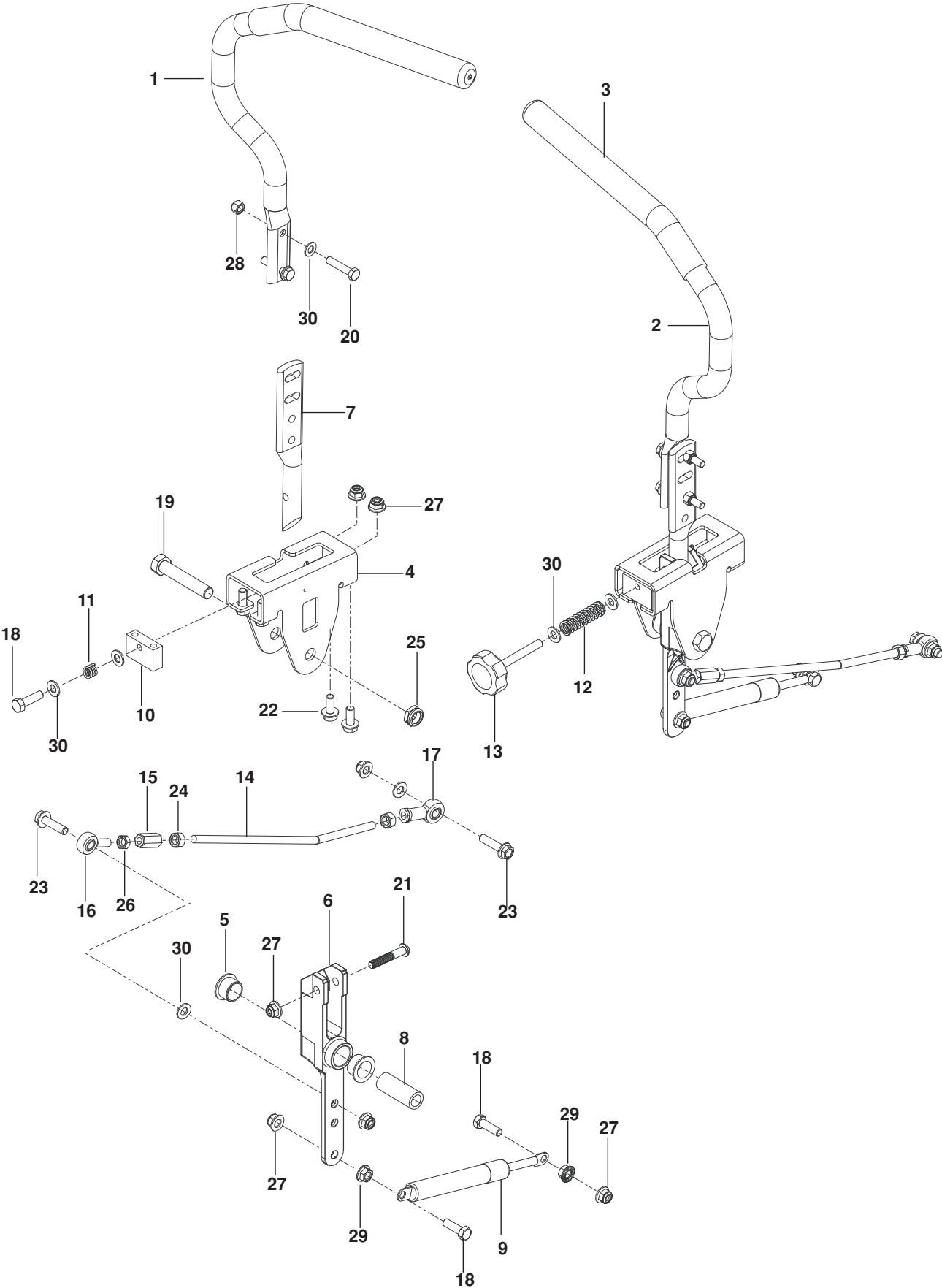
ENGINE PLATE



ENGINE PLATE

| ITEM | PART NO. | QTY. | DESCRIPTION | ITEM | PART NO. | QTY. | DESCRIPTION |
|------|-----------------|------|--------------------------|-----------------|-----------------|-------------|----------------------------|
| 1.. | 575 608801....1 | | PLATE, ENGINE w/ DECAL | 28.. | 539 990071....1 | | HCS 1/4-20 x 2 |
| 2.. | 574 846402....1 | | PLATE, IDLER SUPPORT | 29.. | 539 991120....1 | | HCS 7/16-20 x 2 1/2 |
| 3.. | 574 811001....1 | | PULLEY, V 1 1/8 BORE | 30.. | 539 103433....1 | | HCS 1/2-13 x 3 1/4 |
| 4.. | 539 976688....1 | | PULLEY, IDLER | 31.. | 525 866201....1 | | HHFS 3/8-16 x 2 |
| 5.. | 539 107620....1 | | PULLEY, IDLER | 32.. | 532 120616....4 | | HHFS 3/8-16 x 1 THD FRM |
| 6.. | 574 870901....1 | | BELT | 33.. | 525 464701..11 | | HHFS 5/16-18 x 3/4 |
| 7.. | 525 435601....1 | | PIVOT, IDLER | 34.. | 539 100413....1 | | RHSNB 3/8-16 x 1 1/4 |
| 8.. | 510 206301....1 | | PIVOT, BEARING | 35.. | 539 130235....1 | | RHSNB 3/8-16 x 2 3/4 |
| 9.. | 510 041603....1 | | ARM, IDLER w/ BEARINGS | 36.. | 539 107271....2 | | RHSSNB 5/16-18 x 1 |
| 10.. | 574 607001....1 | | CLUTCH, 200 FT-LB | 37.. | 539 107475....2 | | BOLT 5/16-18 x 3/4 THD FRM |
| 11.. | 510 254401....1 | | SPRING, PUMP | 38.. | 532 183906....4 | | SCREW 5/16-18 x 3/4 SKT HD |
| 12.. | 510 254501....2 | | SHIELD, DUST | 39.. | 539 108120....4 | | NUT 1/4-20 HEX THIN NYLOC |
| 13.. | 539 114662....1 | | SHIELD, DUST | 40.. | 539 200282....4 | | NUT 3/8-16 HEX JAM NYLOC |
| 14.. | 575 017302....1 | | STOP, CLUTCH | 41.. | 521 996501....2 | | NUT 3/8-16 HEX FLG NYLOC |
| 15.. | 532 159955....1 | | EXHAUST TUBE, RT | 42.. | 539 112899..15 | | NUT 5/16-18 HEX FLG NYLOC |
| 16.. | 532 160589....1 | | EXHAUST TUBE, LT | 43.. | 521 991101....1 | | NUT 1/2-13 HEX FLG NYLOC |
| 17.. | 539 131604....1 | | MUFFLER ASM TWIN | 44.. | 539 990613....1 | | NUT 3/8-16 HEX WHIZLK |
| 18.. | 575 229902....1 | | BRKT, MUFFLER, BLK | 45.. | 539 990247....1 | | WASHER 7/16 SLW |
| 19.. | 539 101714....1 | | SOLENOID | 46.. | 539 990053....2 | | WASHER 1/4 INT TOOTH LK |
| 20.. | 539 101362....1 | | HOSE, DRAIN | 47.. | 539 990188....2 | | WASHER 5/16 SAE FLT |
| 21.. | 539 101364....1 | | PLUG, OIL | 48.. | 539 109554....2 | | WASHER 1/2 FLT |
| 22.. | 539 912757....1 | | KEY 1/4 SQ x 1 1/4 | 49.. | 539 109562....1 | | WASHER 3/8 x 3/4 |
| 23.. | 539 102759....3 | | INSULATOR | 50.. | 539 111897....1 | | WASHER, SPECIAL |
| 24.. | 539 101363....1 | | CLAMP | 51.. | 539 115528....1 | | WASHER 1/2" BELLEVILLE |
| 25.. | 532 165931....2 | | GASKET, MUFFLER | 52.. | 539 104763....4 | | RETAINER, U TYPE 5/16-18 |
| 26.. | 539 990302....2 | | SCREW 1/4-20 x 8 THD FRM | NOT SHOWN | | | |
| 27.. | 539 990209....2 | | HCS 5/16-18 x 1 | 576 413201....1 | | PIGTAIL, MZ | |

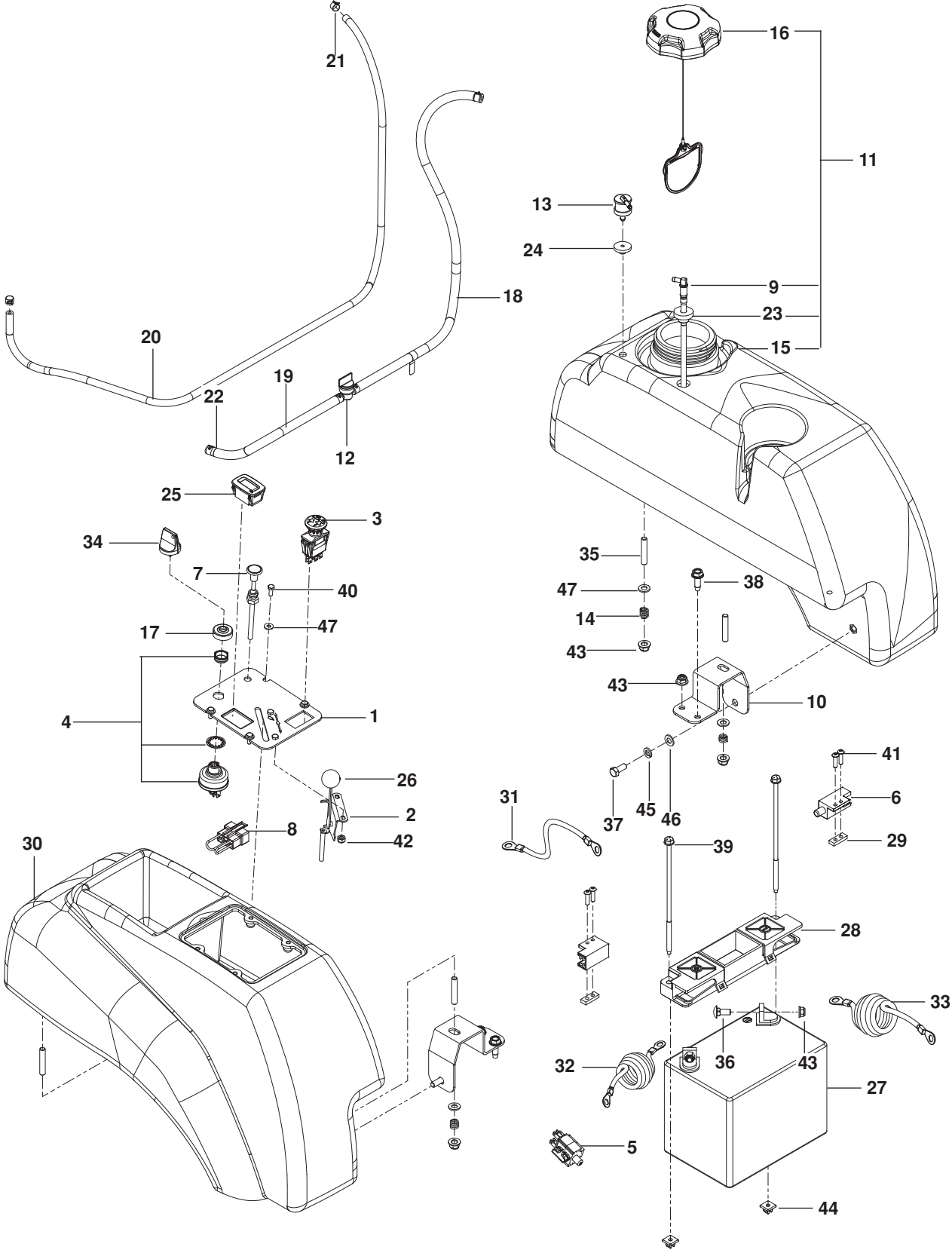
STEERING



STEERING

| ITEM | PART NO. | QTY. | DESCRIPTION | ITEM | PART NO. | QTY. | DESCRIPTION |
|------|-----------------|------|-----------------------|------|-----------------|------|--|
| 1.. | 539 132009....1 | | LEVER w/ GRIP RT | 16.. | 539 116690....2 | | ROD END LT |
| 2.. | 539 132010....1 | | LEVER w/ GRIP LT | 17.. | 539 115729....2 | | ROD END RT |
| 3.. | 539 130894....2 | | GRIP, FOAM | 18.. | 539 990627....5 | | HCS $\frac{5}{16}$ -18 x $1\frac{1}{4}$ |
| 4.. | 577 251701....2 | | BRACKET, CONTROL | 19.. | 539 101332....2 | | HCS $\frac{1}{2}$ -13 x $2\frac{3}{4}$ |
| 5.. | 539 131518....4 | | BEARING, FLANGE | 20.. | 539 976935....4 | | HCS $\frac{5}{16}$ -18 x $1\frac{1}{2}$ |
| 6.. | 576 140301....2 | | LEVER, CONTROL | 21.. | 576 850402....2 | | SCREW $\frac{5}{16}$ -18 X $1\frac{3}{4}$ BTN HD |
| 7.. | 577 420001....2 | | LEVER, HANDLE | 22.. | 525 464701....8 | | HHFS $\frac{5}{16}$ -18 X $\frac{3}{4}$ |
| 8.. | 577 252401....2 | | SPACER, PIVOT CONTROL | 23.. | 525 544001....4 | | HHFS $\frac{5}{16}$ -18 x $1\frac{1}{4}$ TPBLT |
| 9.. | 539 102720....2 | | DAMPENER | 24.. | 539 990223....4 | | NUT $\frac{5}{16}$ -24 HEX |
| 10.. | 577 251801 ...2 | | BLOCK, TRACKING | 25.. | 539 108010....2 | | NUT $\frac{1}{2}$ -13 HEX JAM NYL GR2 |
| 11.. | 539 102845....1 | | SPRING | 26.. | 539 991073....2 | | NUT $\frac{5}{16}$ -24 HEX JAM LH |
| 12.. | 576 850301....1 | | SPRING | 27.. | 539 112899..10 | | NUT $\frac{5}{16}$ -18 HEX FLG NYLOC |
| 13.. | 539 131799....1 | | KNOB | 28.. | 539 990717....6 | | NUT $\frac{5}{16}$ -18 HEX NYLOC |
| 14.. | 574 811401....2 | | ROD, MOTION CONTROL | 29.. | 539 990585....4 | | NUT $\frac{5}{16}$ -18 HEX WHIZLK |
| 15.. | 539 116689....2 | | COUPLER, ROD END | 30.. | 539 990188..12 | | WASHER $\frac{5}{16}$ SAE FLT |

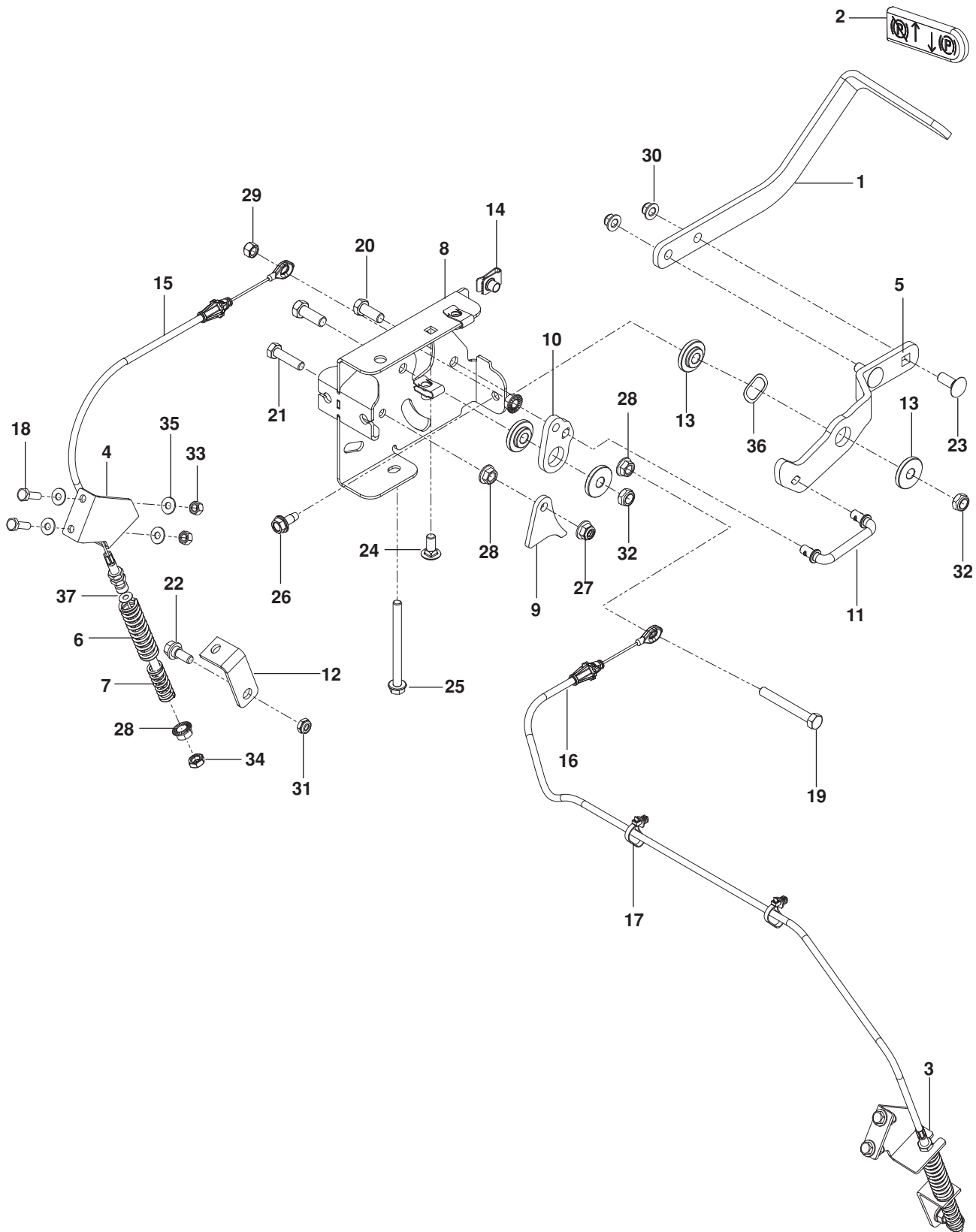
IGNITION



IGNITION

| ITEM | PART NO. | QTY. | DESCRIPTION | ITEM | PART NO. | QTY. | DESCRIPTION |
|------|----------------|------|------------------------------------|----------------|----------------|--------------------|---|
| 1.. | 574 841204.... | 1 | PLATE, CONSOLE, BLK | 26.. | 539 133049.... | 1 | KNOB |
| 2.. | 539 112438.... | 1 | CABLE, THROTTLE | 27.. | 539 102436.... | 1 | BATTERY |
| 3.. | 539 131627.... | 1 | SWITCH, PTO 10 AMP | 28.. | 539 107628.... | 1 | BATTERY HOLD DOWN |
| 4.. | 574 455401.... | 1 | SWITCH, IGNITION | 29.. | 539 102678.... | 2 | PLATE, TAPPED |
| 5.. | 539 113792.... | 1 | SWITCH, BRAKE | 30.. | 539 107593.... | 1 | CONSOLE, RT |
| 6.. | 532 109553.... | 2 | SWITCH, INTERLOCK | 31.. | 539 104974.... | 1 | CABLE, POSITIVE 31" |
| 7.. | 539 113458.... | 1 | CHOKE CONTROL | 32.. | 539 102757.... | 1 | CABLE, POSITIVE 8" |
| 8.. | 575 321001.... | 1 | PLUG, TIMER | 33.. | 539 107645.... | 1 | CABLE, NEGATIVE 32" |
| 9.. | 576 469201.... | 1 | FITTING, FUEL | 34.. | 574 455501.... | 1 | KEY, IGNITION |
| 10.. | 539 131671.... | 2 | SUPPORT, TANK, BLK | 35.. | 539 102502.... | 6 | STUD $\frac{5}{16}$ -18 |
| 11.. | 578 368102.... | 1 | TANK ASSY LT | 36.. | 539 990316.... | 2 | RHSNB $\frac{5}{16}$ -18 x $\frac{3}{4}$ |
| 12.. | 539 916325.... | 1 | VALVE, FUEL | 37.. | 539 976934.... | 2 | HCS $\frac{5}{16}$ -18 x $\frac{3}{4}$ |
| 13.. | 576 618101.... | 1 | VALVE, FUEL CHECK | 38.. | 539 113226.... | 3 | BOLT $\frac{5}{16}$ -18 x 1 THD FRM |
| 14.. | 539 102845.... | 6 | SPRING | 39.. | 539 107632.... | 2 | BOLT $\frac{1}{4}$ x $7\frac{1}{2}$ |
| 15.. | 576 370101.... | 1 | TANK, FUEL LT | 40.. | 539 990411.... | 6 | SCREW #10-24 x $\frac{1}{2}$ SLT |
| 16.. | 575 018101.... | 1 | FUEL CAP w /TETHER | 41.. | 574 822701.... | 4 | SCREW #10-24 x $\frac{3}{4}$ SKT HD |
| 17.. | 539 103178.... | 1 | CAP, IGNITION SWITCH NUT | 42.. | 539 976977.... | 2 | NUT #10-24 NYLOC |
| 18.. | 539 107765.... | 1 | HOSE, FUEL | 43.. | 539 112899.. | 12 | NUT $\frac{5}{16}$ -18 HEX FLANGE NYL |
| 19.. | 539 932956.... | 1 | HOSE, FUEL 10" | 44.. | 539 107629.... | 2 | NUT $\frac{1}{4}$ PUSH NYLON |
| 20.. | 576 660602.... | 1 | HOSE $\frac{3}{16}$ VAPOR 48" | 45.. | 539 990187.... | 2 | WASHER $\frac{5}{16}$ SLW |
| 21.. | 575 436501.... | 2 | CLAMP, HOSE | 46.. | 539 990188.... | 8 | WASHER $\frac{5}{16}$ SAE |
| 22.. | 539 912222.... | 4 | CLAMP, HOSE | 47.. | 539 105408.... | 4 | WASHER #10 |
| 23.. | 539 105245.... | 1 | GROMMET, RUBBER | NOT SHOWN | | | |
| 24.. | 576 618201.... | 1 | GROMMET, CHECK VALVE | 575 320901.... | 1 | HARNESS, MAIN | |
| 25.. | 532 401763.... | 1 | HOUR METER | 539 976856.... | 8 | WIRE TIE | |

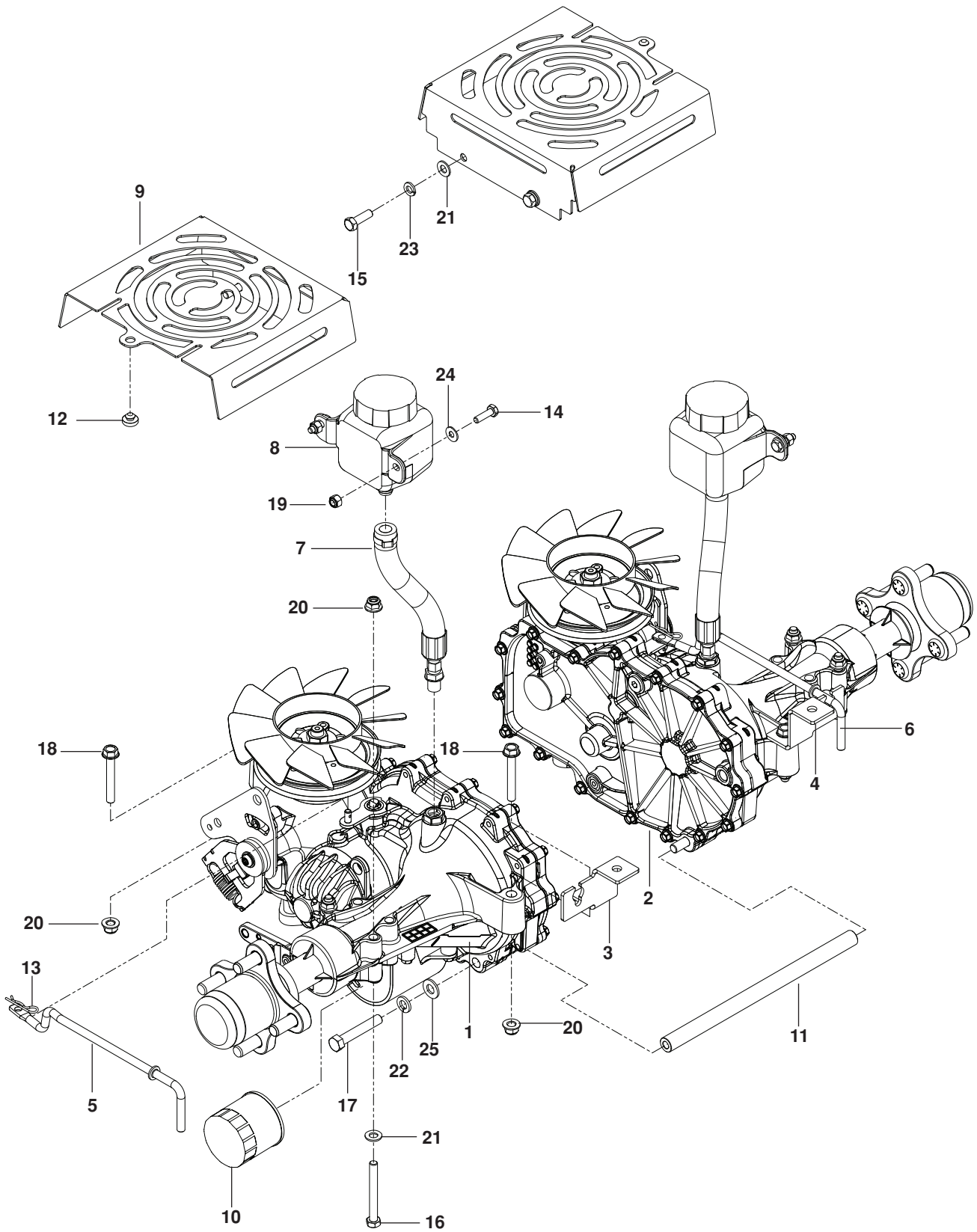
PARKING BRAKE



PARKING BRAKE

| ITEM | PART NO. | QTY. | DESCRIPTION | ITEM | PART NO. | QTY. | DESCRIPTION |
|------|----------------|------|---|------|----------------|------|---|
| 1.. | 539 132151.... | 1 | ARM, BRAKE | 20.. | 539 990563.... | 2 | HCS $\frac{3}{8}$ -16 x 1 |
| 2.. | 539 105036.... | 1 | GRIP, BRAKE HANDLE | 21.. | 539 990209.... | 1 | HCS $\frac{5}{16}$ -18 x 1 |
| 3.. | 575 229602.... | 1 | BRACKET, RT BLK | 22.. | 539 110303.... | 2 | BOLT $\frac{5}{16}$ SHOULDER |
| 4.. | 575 229702.... | 1 | BRACKET, LT BLK | 23.. | 539 990645.... | 2 | RHSNB $\frac{3}{8}$ -16 x 1 |
| 5.. | 539 132423.... | 1 | LEVER, BRAKE | 24.. | 539 990316.... | 1 | RHSNB $\frac{5}{16}$ -18 x $\frac{3}{4}$ |
| 6.. | 575 230201.... | 2 | SPRING, RETURN | 25.. | 539 131780.... | 1 | HHFS $\frac{5}{16}$ -18 x $3\frac{3}{4}$ |
| 7.. | 575 230301.... | 2 | SPRING, ENGAGEMENT | 26.. | 539 107475.... | 1 | BOLT $\frac{5}{16}$ -18 x $\frac{3}{4}$ THD FRM |
| 8.. | 539 132158.... | 1 | MOUNT, BRAKE | 27.. | 539 112899.... | 4 | NUT $\frac{5}{16}$ -18 FLANGE NYLOC |
| 9.. | 539 132154.... | 1 | ACTUATOR, SWITCH | 28.. | 539 990585.... | 5 | NUT $\frac{5}{16}$ -18 HEX WHIZLK |
| 10.. | 539 132153.... | 1 | BELLCRANK, BRAKE | 29.. | 539 990717.... | 1 | NUT $\frac{5}{16}$ -18 HEX NYLOC |
| 11.. | 539 132424.... | 1 | LINKAGE, BRAKE | 30.. | 521 996501.... | 2 | NUT $\frac{3}{8}$ -16 HEX FLG NYLOC |
| 12.. | 575 229802.... | 2 | BRACKET, BRAKE | 31.. | 539 115617.... | 2 | NUT $\frac{5}{16}$ HEX NYLOC |
| 13.. | 539 132161.... | 4 | BUSHING, BRAKE | 32.. | 539 200282.... | 2 | NUT $\frac{3}{8}$ -16 HEX JAM NYLOC |
| 14.. | 539 104763.... | 3 | RETAINER, U TYPE $\frac{5}{16}$ -18 | 33.. | 539 976978.... | 4 | NUT $\frac{1}{4}$ -20 HEX NYLOC |
| 15.. | 539 132173.... | 1 | CABLE, BRAKE SHORT | 34.. | 539 107897.... | 2 | NUT $\frac{5}{16}$ -18 HEX JAM |
| 16.. | 539 132174.... | 2 | CABLE, BRAKE LONG | 35.. | 539 990055.... | 8 | WASHER $\frac{1}{4}$ SAE FLT |
| 17.. | 505 280001.... | 2 | TIE w/ CLIP | 36.. | 539 133007.... | 1 | WASHER .825 WAVE |
| 18.. | 539 990643.... | 4 | HCS $\frac{1}{4}$ -20 x $\frac{7}{8}$ | 37.. | 539 990122.... | 2 | WASHER $\frac{3}{8}$ SAE |
| 19.. | 539 108396.... | 1 | HCS $\frac{5}{16}$ -18 x $2\frac{1}{2}$ TPBLT | | | | |

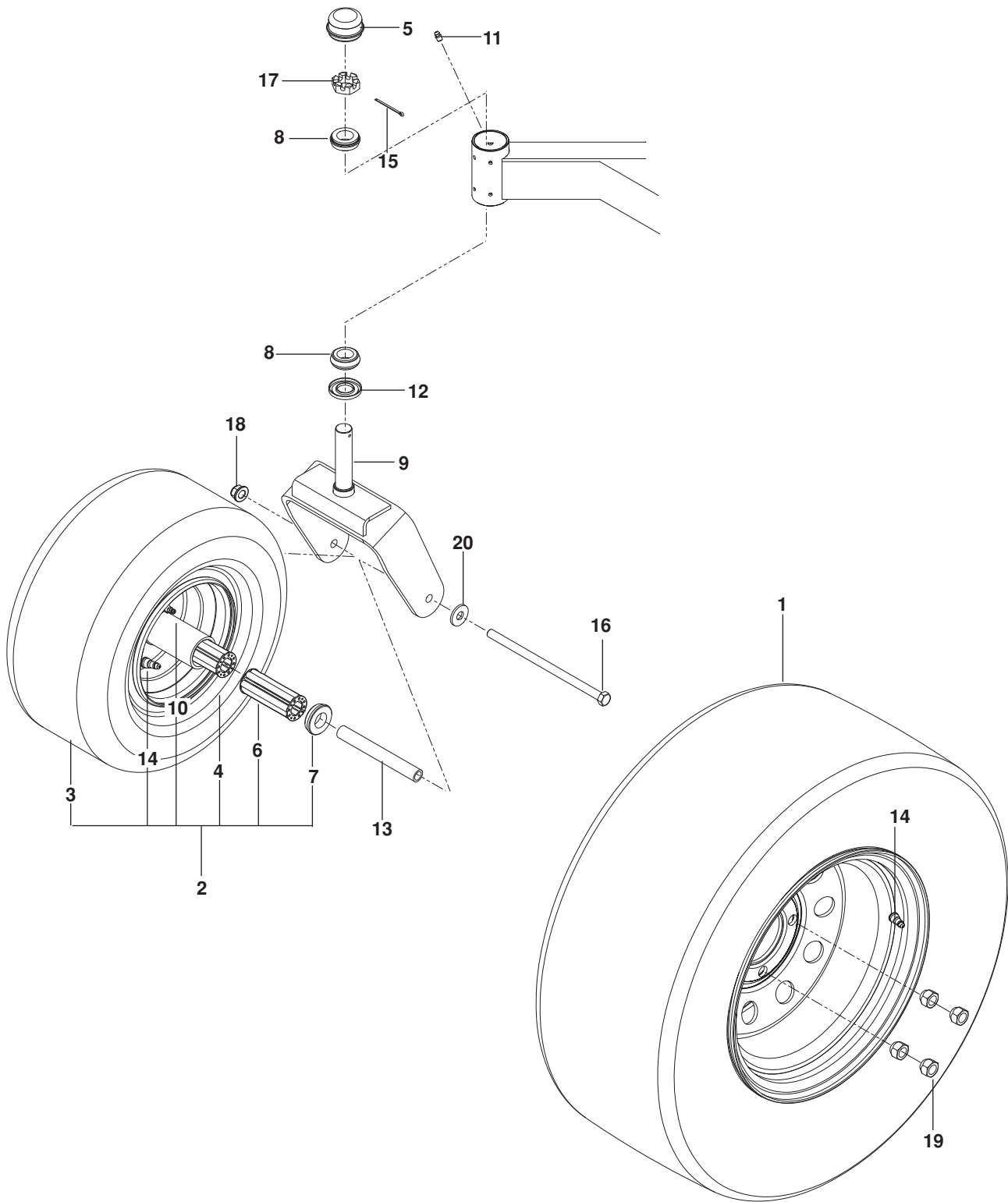
HYDRAULIC PUMP-MOTOR



HYDRAULIC PUMP-MOTOR

| ITEM | PART NO. | QTY. | DESCRIPTION | ITEM | PART NO. | QTY. | DESCRIPTION |
|------|----------------|------|-------------------------|------|----------------|------|--------------------------------|
| 1.. | 577 227702.... | 1 | TRANS, ZT-3100, LT | 14.. | 539 990643.... | 4 | HCS 1/4-20 x 7/8 |
| 2.. | 577 227701.... | 1 | TRANS, ZT-3100, RT | 15.. | 539 990209.... | 4 | HCS 5/16-18 x 1 |
| 3.. | 575 017102.... | 1 | BRACKET, TRANS, LT | 16.. | 539 101721.... | 4 | HCS 5/16-18 x 2 3/4 |
| 4.. | 575 017002.... | 1 | BRACKET, TRANS, RT | 17.. | 539 108551.... | 2 | HCS 3/8-16 x 2 1/2 GR8 |
| 5.. | 539 131616.... | 1 | LINKAGE, BYPASS LT | 18.. | 574 233801.... | 4 | HHFS 5/16-18 x 2 1/4 |
| 6.. | 539 131618.... | 1 | LINKAGE, BYPASS RT | 19.. | 539 976978.... | 4 | NUT 1/4-20 HEX NYLOC |
| 7.. | 574 892101.... | 2 | HOSE, EXPANSION | 20.. | 539 112899.... | 8 | NUT 5/16-18 HEX FLG NYLOC |
| 8.. | 574 811301.... | 2 | TANK, EXPANSION | 21.. | 539 990188.... | 8 | WASHER 5/16 SAE FLT |
| 9.. | 575 778202.... | 2 | COVER, FAN | 22.. | 539 990118.... | 2 | WASHER 3/8 SPLT LK |
| 10.. | 539 113466.... | 2 | FILTER, HYDRO | 23.. | 539 990187.... | 4 | WASHER 5/16 SLW |
| 11.. | 574 868501.... | 1 | TUBE, SPACER | 24.. | 539 990055.... | 4 | WASHER 1/4 SAE FLT |
| 12.. | 539 102587.... | 2 | GROMMET, BUMPER | 25.. | 539 990122.... | 2 | WASHER 3/8 SAE FLT |
| 13.. | 539 976988.... | 2 | HAIRPIN COTTER | | | | |

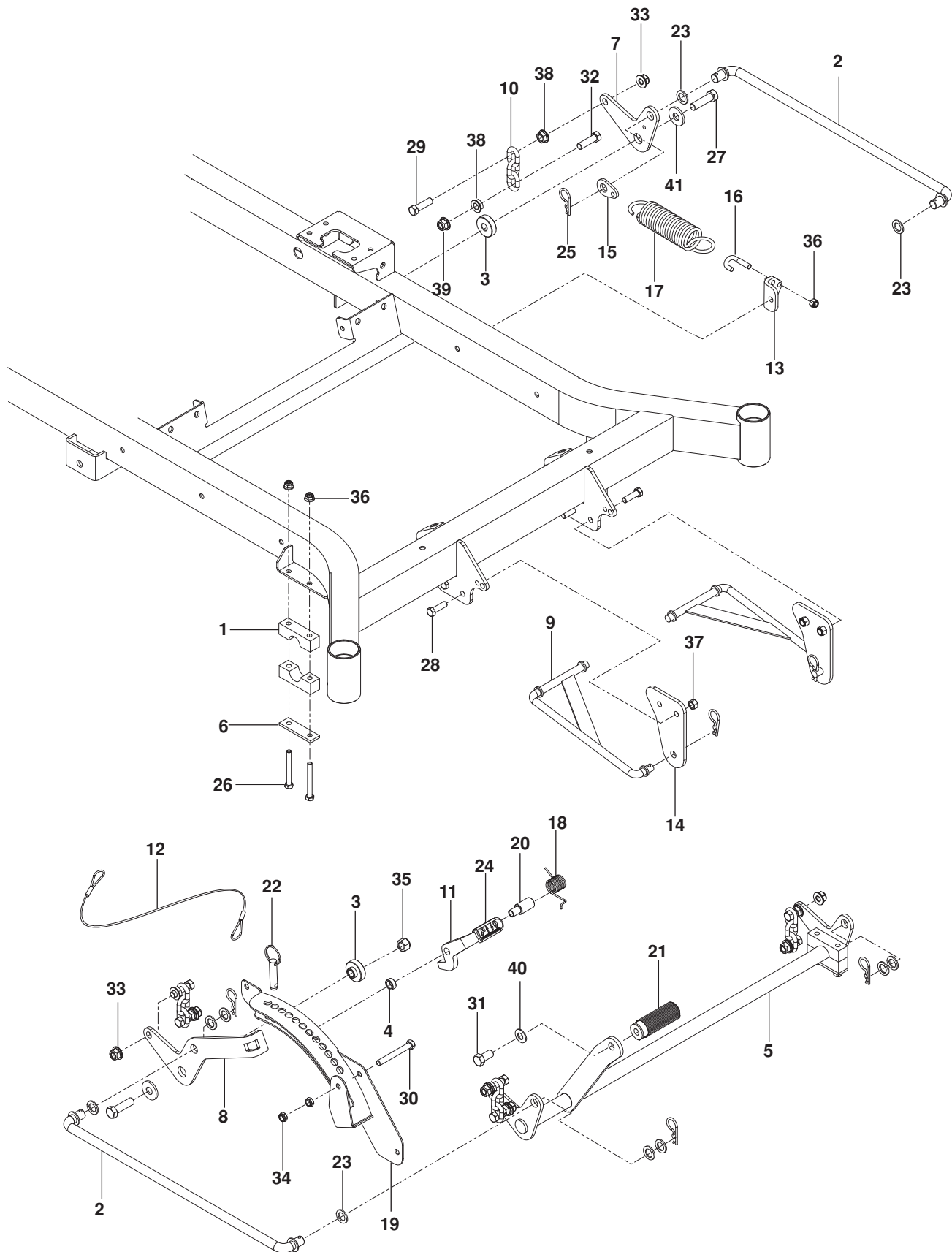
WHEELS



WHEELS

| ITEM | PART NO. | QTY. | DESCRIPTION | ITEM | PART NO. | QTY. | DESCRIPTION |
|------|-----------------|------|-------------------------|------|-----------------|------|--------------------------|
| 1.. | 580 747001....2 | | WHEEL ASSY 22 x 10-10 | 11.. | 539 101474....2 | | ZERK |
| 2.. | 575 348701....2 | | WHEEL ASSY 13 x 6.5 | 12.. | 539 102851....2 | | SEAL |
| 3.. | 575 622201....2 | | TIRE 13 x 6.5 | 13.. | 575 334901....2 | | SPACER, PIVOT |
| 4.. | 575 622101....2 | | RIM, CASTER TIRE | 14.. | 539 912234....2 | | AIR VALVE |
| 5.. | 539 102535....2 | | CAP, GREASE | 15.. | 539 102889....2 | | COTTER PIN 1/8 x 2 |
| 6.. | 539 105307....4 | | BEARING 3/4 CAGE | 16.. | 539 105517....2 | | HCS 1/2-13 x 9 1/2 |
| 7.. | 539 102484....4 | | BEARING, FLANGED | 17.. | 539 102852....2 | | NUT 1"-14 SLOTTED JAM |
| 8.. | 539 102543....4 | | BEARING, ROLLER TAPERED | 18.. | 521 991101 ...2 | | NUT 1/2-13 HEX FLG NYLOC |
| 9.. | 575 329202....2 | | YOKE, CASTER, ORG | 19.. | 539 101173....8 | | NUT 1/2-20 LUG |
| 10.. | 539 103300....2 | | ZERK | 20.. | 539 109554....2 | | WASHER 1/2 FLT |

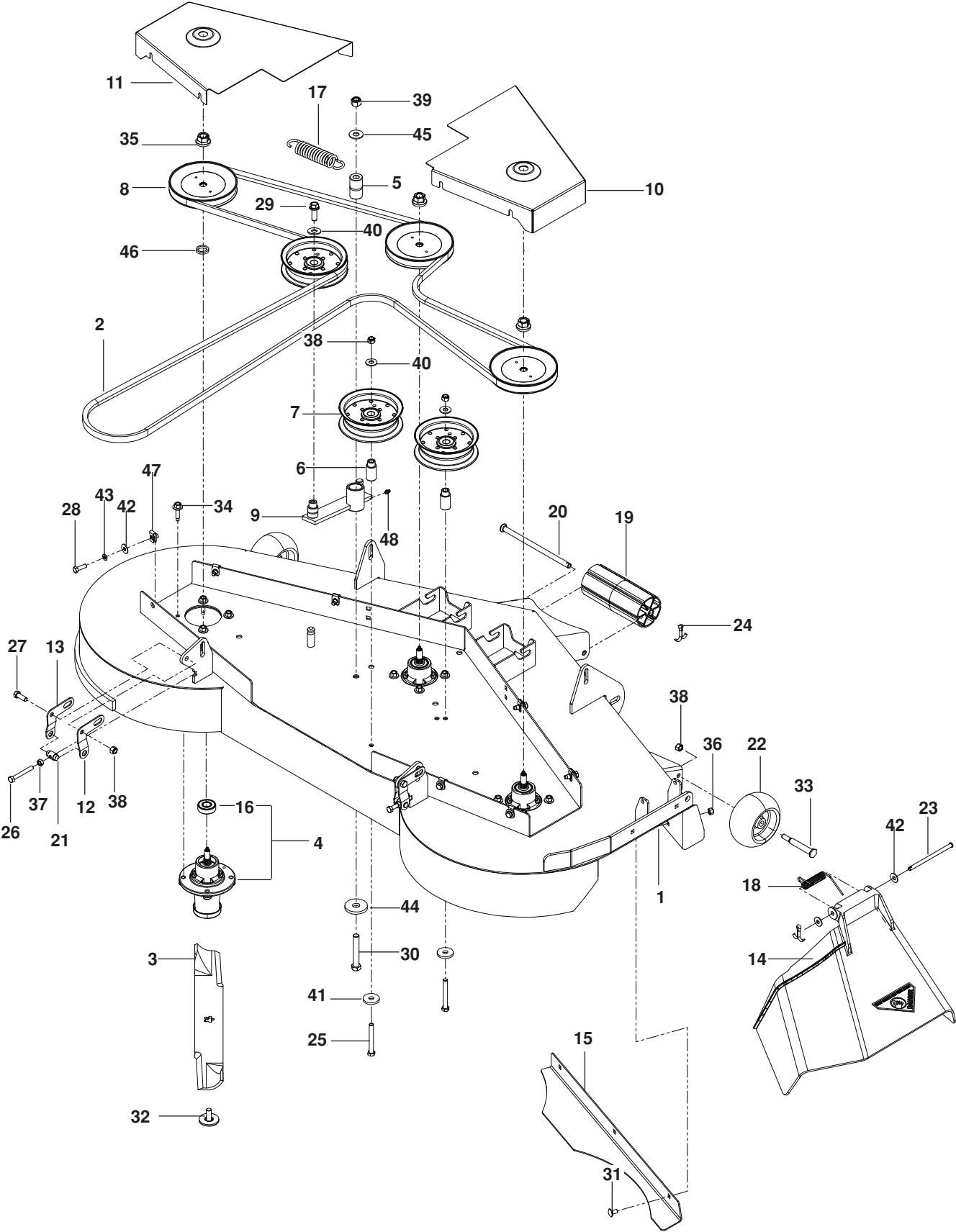
MOWER LIFT / DECK LIFT



MOWER LIFT / DECK LIFT

| ITEM | PART NO. | QTY. | DESCRIPTION | ITEM | PART NO. | QTY. | DESCRIPTION |
|------|-----------------|------|-------------------------|------|-----------------|------|---------------------------|
| 1.. | 539 104808....4 | | PILLOW BLOCK | 21.. | 510 408301....1 | | PEDAL, FOOT |
| 2.. | 539 110808....2 | | LINK, DECK LIFT | 22.. | 539 132182....1 | | PIN ½ x 1½ DETENT RING |
| 3.. | 539 118937....2 | | SPACER, IDLER | 23.. | 539 991043..10 | | BUSHING .625 |
| 4.. | 539 131861....1 | | SPACER | 24.. | 539 132851....1 | | GRIP |
| 5.. | 581 215202....1 | | SHAFT, FRONT LIFT BLK | 25.. | 539 115501....6 | | PIN, COTTER 1¾ |
| 6.. | 539 104807....2 | | REINFORCEMENT BAR | 26.. | 539 101721....4 | | HCS 5/16-18 x 2¾ |
| 7.. | 539 131897....1 | | BELLCRANK, RR, LIFT BLK | 27.. | 539 108181....2 | | HCS ½-13 x 1¾ GR 8 |
| 8.. | 539 131853....1 | | BELLCRANK, RR, RT BLK | 28.. | 539 976941....4 | | HCS ¾-16 X 1¼ |
| 9.. | 539 112223....2 | | LINKAGE, STRUT | 29.. | 539 101175....4 | | HCS 7/16-14 x 1½ |
| 10.. | 539 109693....4 | | LIFT CHAIN-3 LINK | 30.. | 539 101341....1 | | HCS ¾-16 x 3 |
| 11.. | 539 131566....1 | | LATCH, TRANSPORT | 31.. | 539 990646....1 | | HCS ½-13 x 1¾ |
| 12.. | 539 105059....1 | | LANYARD | 32.. | 539 108073....4 | | HCS 7/16-14 x 1¾ |
| 13.. | 539 131791....1 | | MOUNT, SPRING | 33.. | 539 132019....8 | | NUT 7/16-14 HEX WHIZ LK |
| 14.. | 539 132017....2 | | MOUNT, STRUT | 34.. | 539 200282....2 | | NUT ¾-16 HEX JAM NYLOC |
| 15.. | 539 131792....1 | | TAB, SPRING | 35.. | 539 101331....2 | | NUT ½ HEX NYLOC |
| 16.. | 539 112896....1 | | J-BOLT | 36.. | 539 112899....5 | | NUT 5/16-18 HEX FLG NYLOC |
| 17.. | 539 102642....1 | | SPRING | 37.. | 539 976979....4 | | NUT ¾-16 HEX NYLOC |
| 18.. | 539 132734....1 | | SPRING, TORSION | 38.. | 539 102582....8 | | NUT 7/16-14 HEX WHIZ LK |
| 19.. | 539 131850....1 | | HEIGHT ADJUST, DECK | 39.. | 539 102843....1 | | WASHER 7/16 SPRING |
| 20.. | 539 131860....1 | | PIVOT LATCH, TRANSPORT | 40.. | 539 109554....2 | | WASHER ½ FLT |

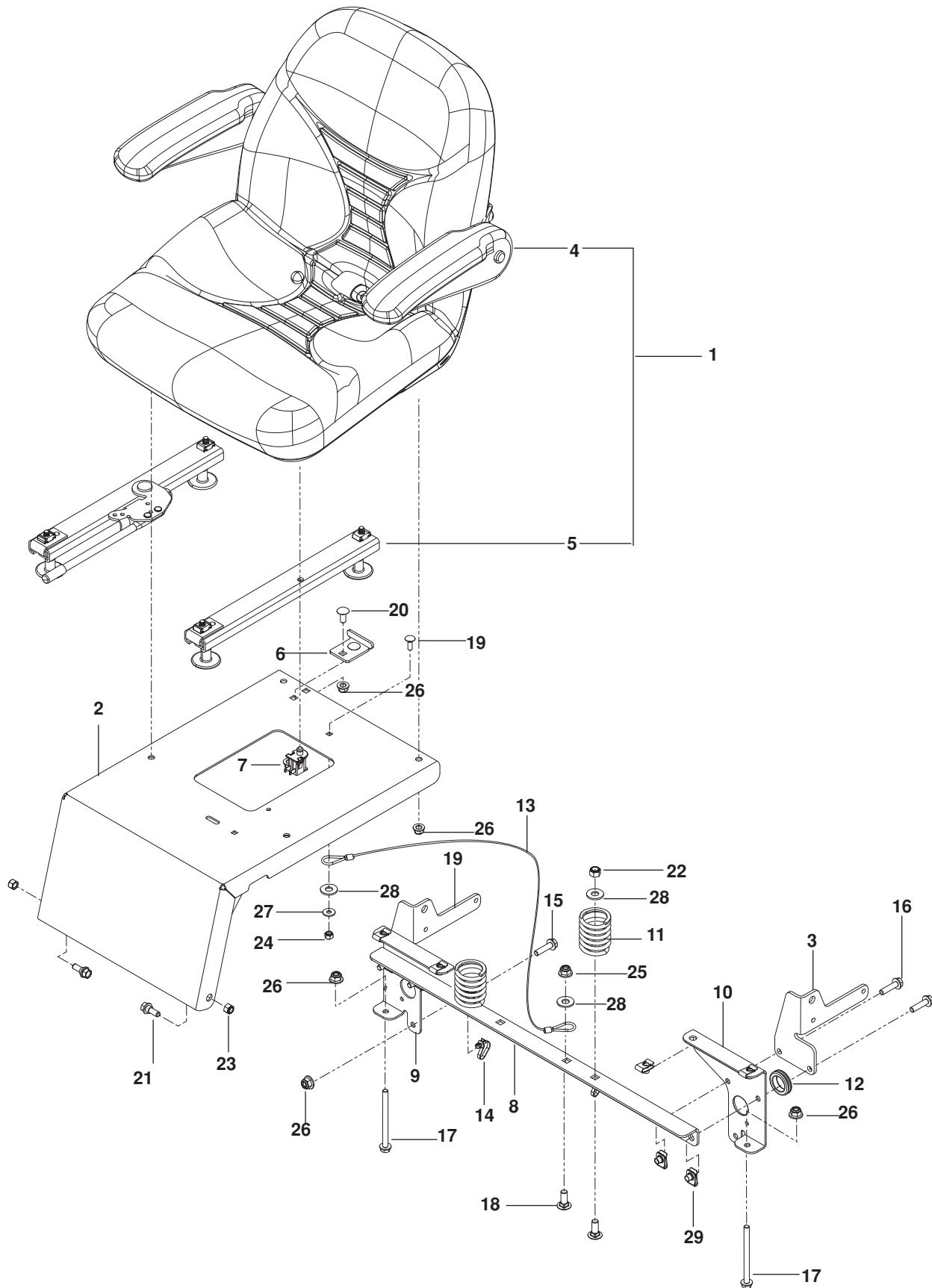
MOWER DECK / CUTTING DECK



MOWER DECK / CUTTING DECK

| ITEM | PART NO. | QTY. | DESCRIPTION | ITEM | PART NO. | QTY. | DESCRIPTION |
|------|----------------|------|--|------|----------------|------|---|
| 1.. | 581 505401.... | 1 | DECK w/ SAFETY DECALS | 25.. | 539 101341.... | 2 | HCS $\frac{3}{8}$ -16 x 3 |
| 2.. | 539 104335.... | 1 | BELT, DECK | 26.. | 539 108396.... | 2 | HCS $\frac{5}{16}$ -18 x 2 $\frac{1}{2}$ TPBLT |
| 3.. | 510 417901.... | 3 | BLADE, 21" | 27.. | 539 990563.... | 2 | HCS $\frac{3}{8}$ -16 x 1 |
| 4.. | 539 112170.... | 3 | HOUSING ASSEMBLY | 28.. | 539 976934.... | 8 | HCS $\frac{5}{16}$ -18 x $\frac{3}{4}$ |
| 5.. | 539 103427.... | 1 | BUSHING, PIVOT | 29.. | 539 990582.... | 1 | HCS $\frac{3}{8}$ -16 x 1 WHIZLK |
| 6.. | 539 112169.... | 2 | BUSHING, IDLER | 30.. | 539 103433.... | 1 | HCS $\frac{1}{2}$ -13 x 3 $\frac{1}{4}$ |
| 7.. | 539 132728.... | 3 | PULLEY, IDLER | 31.. | 539 990799.... | 3 | RHSNB $\frac{5}{16}$ -18 x $\frac{5}{8}$ |
| 8.. | 539 113300.... | 3 | PULLEY | 32.. | 532 193003.... | 3 | BOLT $\frac{7}{16}$ BLADE |
| 9.. | 539 112198.... | 1 | ARM, IDLER | 33.. | 539 107608.... | 2 | BOLT, SHOULDER |
| 10.. | 539 113319.... | 1 | BELT SHIELD, RT | 34.. | 539 107630.. | 12 | SCREW, WSH HEAD |
| 11.. | 539 113322.... | 1 | BELT SHIELD, LT | 35.. | 539 107590.... | 3 | NUT $\frac{9}{16}$ TOP CENTER LOCK |
| 12.. | 539 131857.... | 2 | PITCH ADJUST, RT | 36.. | 539 990717.... | 3 | NUT $\frac{5}{16}$ -18 HEX NYLOC |
| 13.. | 539 131858.... | 2 | PITCH ADJUST, LT | 37.. | 539 990196.... | 2 | NUT $\frac{5}{16}$ -18 HEX |
| 14.. | 539 110734.... | 1 | CHUTE, DISCHARGE | 38.. | 539 976979.... | 6 | NUT $\frac{3}{8}$ -16 HEX NYLOC |
| 15.. | 539 113317.... | 1 | PLATE, CONFINEMENT | 39.. | 539 101331.... | 1 | NUT $\frac{1}{2}$ HEX NYLOC |
| 16.. | 539 112050.... | 3 | BEARING, BALL | 40.. | 539 990517.... | 2 | WASHER $\frac{3}{8}$ FLAT STD |
| 17.. | 539 103256.... | 1 | SPRING | 41.. | 539 106504.... | 2 | WASHER, HEAVY |
| 18.. | 539 110735.... | 1 | SPRING, TORSION | 42.. | 539 990692.. | 10 | WASHER $\frac{5}{16}$ STD FLT |
| 19.. | 532 176066.... | 1 | ROLLER, NOSE | 43.. | 539 109600.... | 8 | WASHER $\frac{5}{16}$ SPRING |
| 20.. | 532 179127.... | 1 | ROD, ROLLER, NOSE | 44.. | 539 102243.... | 1 | WASHER, SUPPORT |
| 21.. | 539 131859.... | 2 | TRUNION, PITCH | 45.. | 539 990550.... | 1 | WASHER $\frac{1}{2}$ STD FLT |
| 22.. | 539 107610.... | 2 | WHEEL, GAUGE | 46.. | 539 107520.... | 3 | WASHER-SPACER |
| 23.. | 539 110736.... | 1 | PIN $\frac{5}{16}$ CLEVIS | 47.. | 539 104763.... | 8 | RETAINER, U TYPE $\frac{5}{16}$ -18 |
| 24.. | 539 990365.... | 2 | PIN, COTTER $\frac{1}{8}$ x $\frac{3}{4}$ | 48.. | 539 976998.... | 1 | ZERK |

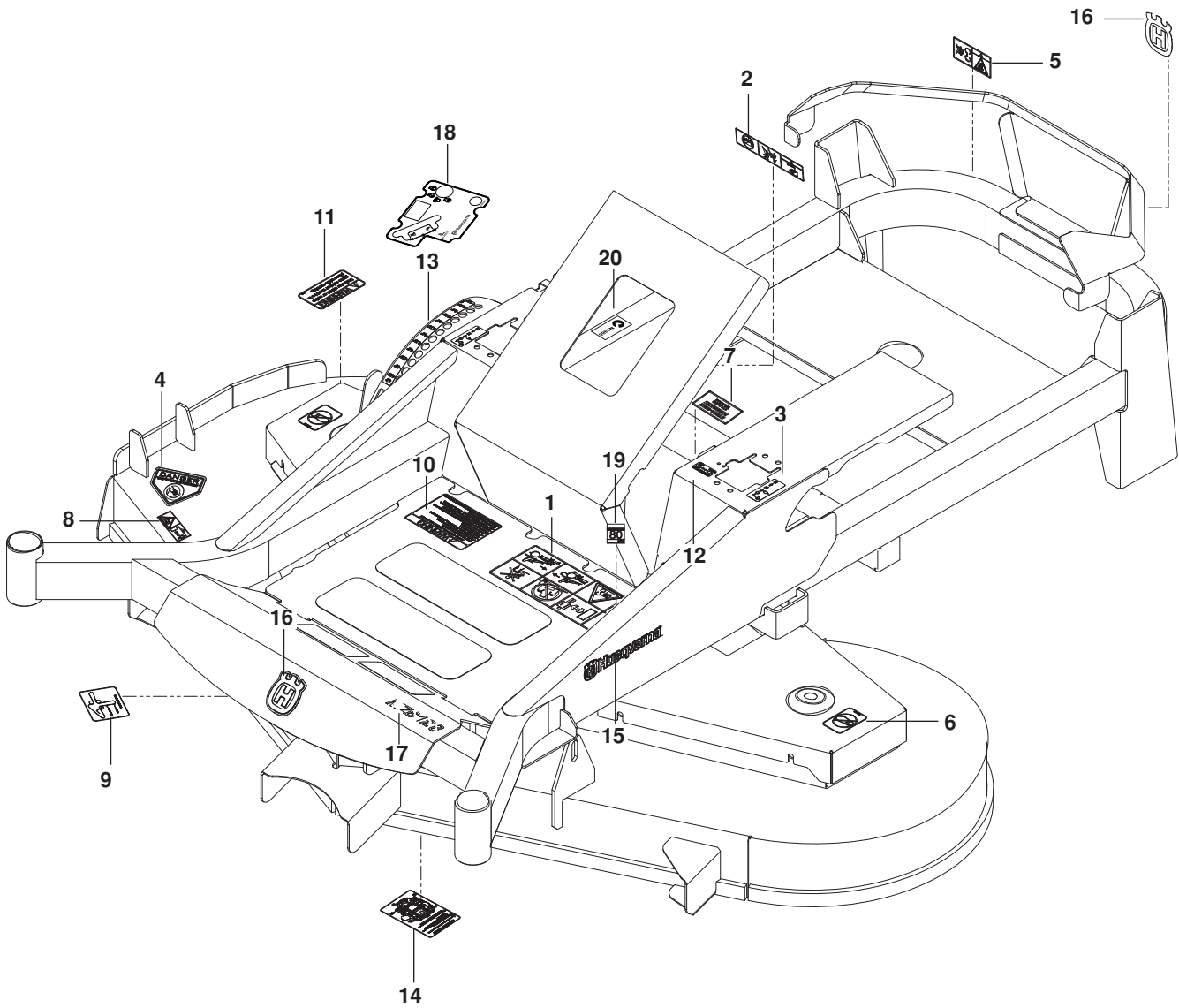
SEAT



SEAT

| ITEM | PART NO. | QTY. | DESCRIPTION | ITEM | PART NO. | QTY. | DESCRIPTION |
|------|----------------|------|---------------------------|------|----------------|------|---|
| 1.. | 539 130873.... | 1 | SEAT ASSY | 15.. | 525 464701.... | 2 | HHFS $\frac{5}{16}$ -18 x $\frac{3}{4}$ |
| 2.. | 575 608601.... | 1 | MOUNT, SEAT w/ DECAL | 16.. | 525 544001.... | 4 | HHFS $\frac{5}{16}$ -18 x $1\frac{1}{4}$ TPBLT |
| 3.. | 575 017402.... | 2 | MOUNT, SEAT BELT | 17.. | 539 131780.... | 2 | HHFS $\frac{5}{16}$ -18 x $3\frac{3}{4}$ |
| 4.. | 539 112036.... | 1 | ARM REST, LT | 18.. | 539 990645.... | 3 | RHSNB $\frac{3}{8}$ -16 x 1 |
| | 539 112035.... | 1 | ARM REST, RT | 19.. | 539 990074.... | 1 | RHSNB $\frac{1}{4}$ -20 x $\frac{3}{4}$ |
| 5.. | 539 112037.... | 1 | RAIL SET, SEAT | 20.. | 539 109100.... | 2 | RHSNB $\frac{5}{16}$ -18 x $\frac{3}{4}$ |
| 6.. | 539 130793.... | 1 | DECK STOP | 21.. | 539 130896.... | 2 | BOLT $\frac{5}{16}$ -18 HEX HD |
| 7.. | 539 119741.... | 1 | SWITCH, SEAT | 22.. | 539 976979.... | 2 | NUT $\frac{3}{8}$ -16 HEX NYLOC |
| 8.. | 539 131656.... | 1 | SUPPORT, SEAT | 23.. | 539 990717.... | 2 | NUT $\frac{5}{16}$ -18 HEX NYLOC |
| 9.. | 575 224002.... | 1 | SUPPORT, RT | 24.. | 539 976978.... | 1 | NUT $\frac{1}{4}$ -20 HEX NYLOC |
| 10.. | 575 224102.... | 1 | SUPPORT, LT | 25.. | 521 996501.... | 1 | NUT $\frac{3}{8}$ -16 FLG HEX NYLOC |
| 11.. | 539 110300.... | 2 | SPRING, SEAT | 26.. | 539 112899.. | 10 | NUT $\frac{5}{16}$ -18 FLANGE NYLOC |
| 12.. | 539 105974.... | 1 | GROMMET RUBBER | 27.. | 539 990598.... | 1 | WASHER $\frac{1}{4}$ FLT |
| 13.. | 539 103247.... | 1 | LANYARD, SEAT | 28.. | 539 990517.... | 4 | WASHER $\frac{3}{8}$ STD FLT |
| 14.. | 505 280001.... | 2 | TIE w/ CLIP | 29.. | 539 104763.... | 8 | RETAINER, U TYPE $\frac{5}{16}$ -18 |

DECALS

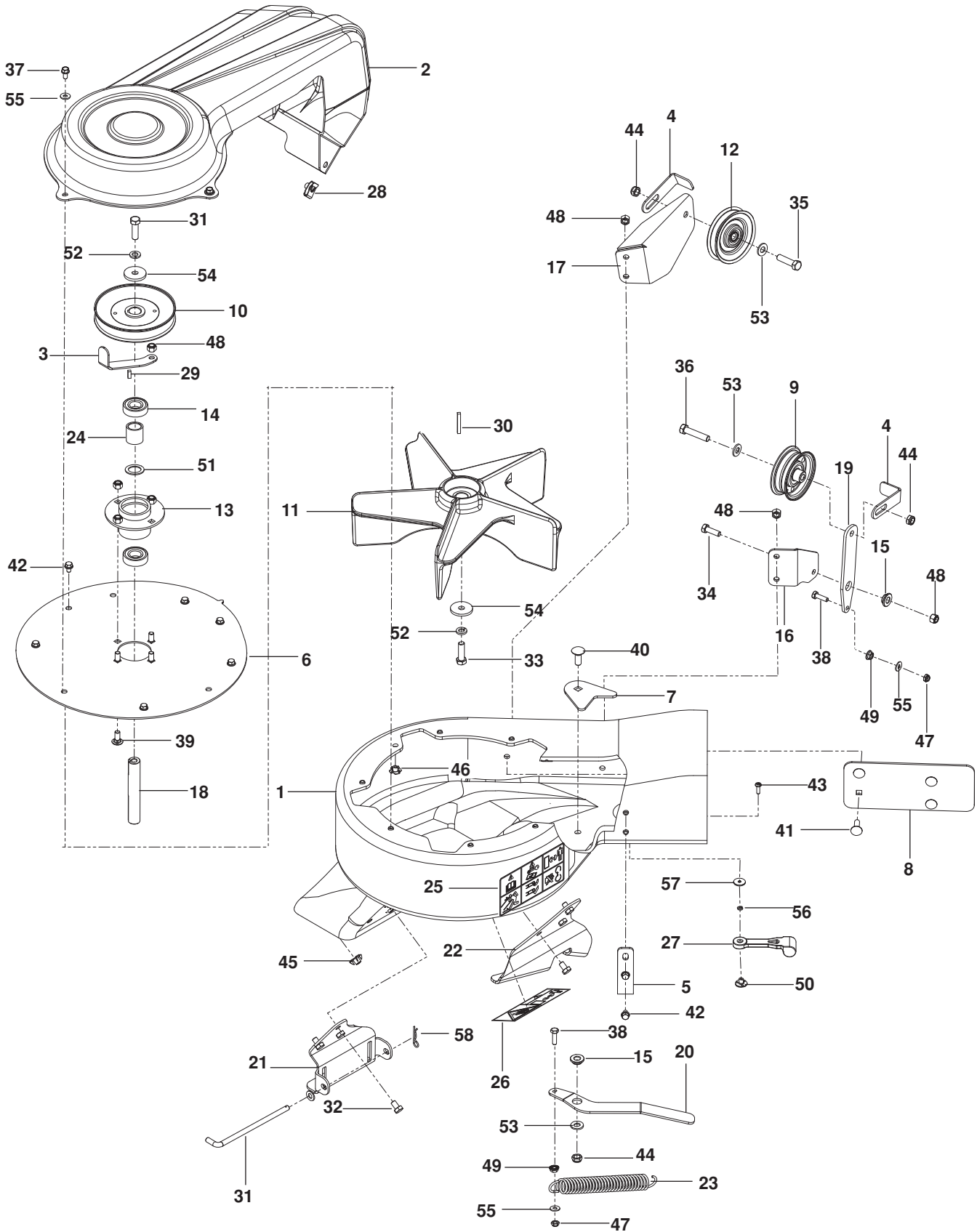


DECALS

| ITEM | PART NO. | QTY. | DESCRIPTION | ITEM | PART NO. | QTY. | DESCRIPTION |
|------|------------|-------|----------------------------|------|------------|-------|-------------------------|
| 1.. | 539 107959 | ...1 | ...DECAL, WARNING | 11.. | 539 113224 | ...1 | ...DECAL, DEFLECTOR |
| 2.. | 539 105745 | ...1 | ...DECAL, BATTERY WARNING | 12.. | 539 110974 | ...2 | ...DECAL, TRACKING |
| 3.. | 539 103333 | ...2 | ...DECAL, MOTION CONTROL | 13.. | 539 132039 | ...1 | ...DECAL, HEIGHT ADJUST |
| 4.. | 539 913010 | ...1 | ...DECAL, BLADE WARNING | 14.. | 539 132187 | ...1 | ...DECAL, SERVICE |
| 5.. | 539 105744 | ...1 | ...DECAL, DANGER BLT DRIVE | 15.. | 532 429196 | ...2 | ...DECAL, HUSQVARNA |
| 6.. | 539 105743 | ...2 | ...DECAL, NO STEP | 16.. | 532 428676 | ...2 | ...DECAL, CROWN H |
| 7.. | 574 815501 |1 |DECAL, HYDROGEAR | 17.. | 521 988002 |1 |DECAL, MZ6128 |
| 8.. | 539 105746 | ...1 | ...DECAL, SEVERING | 18.. | 574 841103 |1 |DECAL, CONSOLE |
| 9.. | 539 112620 | ...1 | ...DECAL, BELT ROUTING | 19.. | 532 124433 |1 |DECAL, 80 DBA |
| 10.. | 539 113213 | ...1 | ...DECAL, WARNING | 20.. | 539 110279 |1 |DECAL, ECM |

ACCESSORIES

Blower

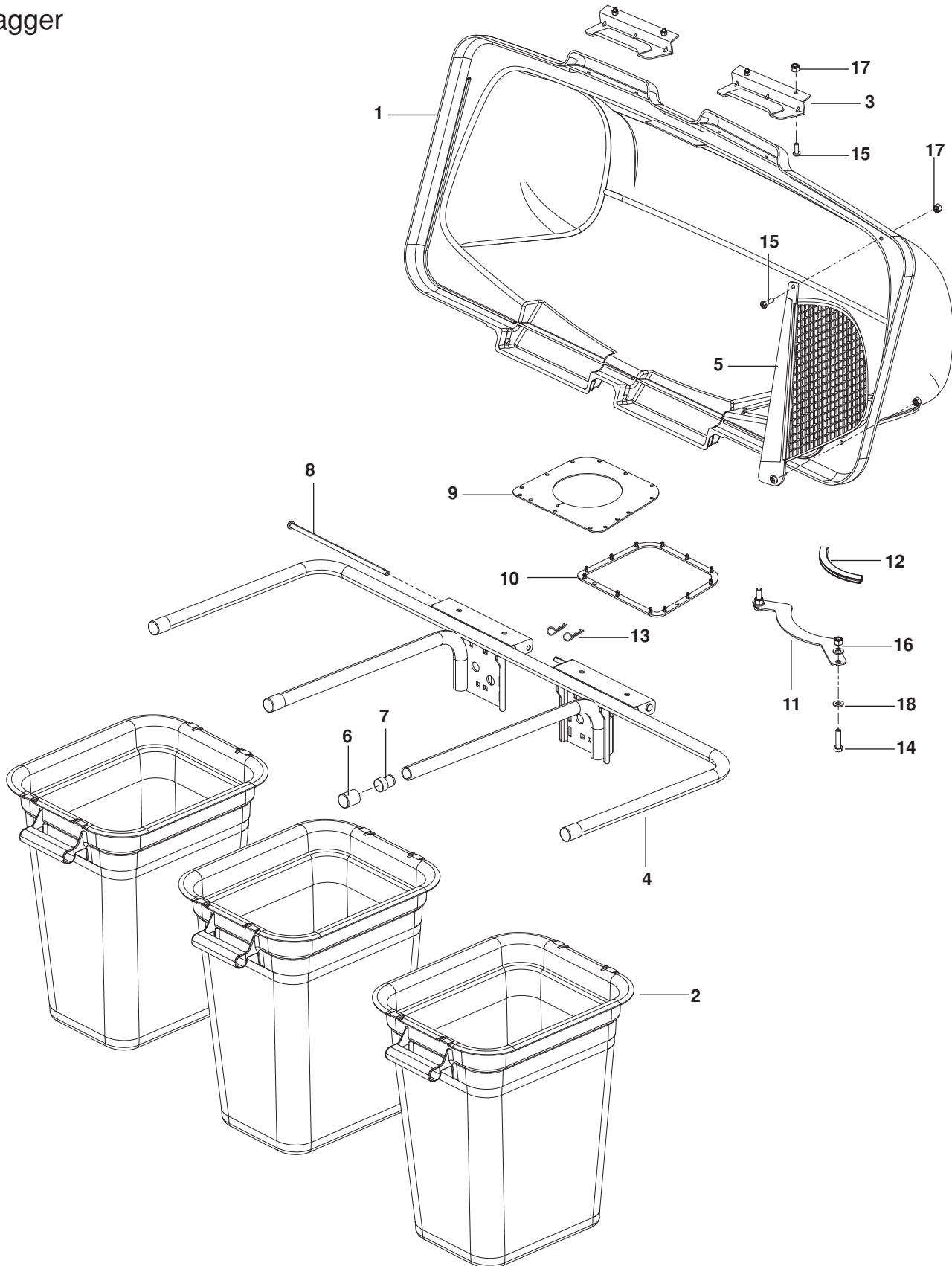


ACCESSORIES

| ITEM | PART NO. | QTY. | DESCRIPTION | ITEM | PART NO. | QTY. | DESCRIPTION |
|------|----------------|------|--|------|----------------|------|--|
| 1.. | 539 130344.... | 1 | HOUSING w/DECALS | 30.. | 539 125229.... | 1 | KEY $\frac{3}{16}$ x $1\frac{1}{2}$ |
| 2.. | 539 130293.... | 1 | COVER, BELT | 31.. | 539 130317.... | 1 | PIN |
| 3.. | 539 131085.... | 1 | KEEPER, BELT OUTER | 32.. | 539 130315.... | 6 | HCS $\frac{5}{16}$ -18 x $\frac{1}{2}$ |
| 4.. | 539 131087.... | 2 | KEEPER, BELT REAR | 33.. | 539 110321.... | 2 | HCS $\frac{3}{8}$ -24 x $1\frac{1}{4}$ GR8 |
| 5.. | 539 130346.... | 1 | KEEPER | 34.. | 539 990209.... | 1 | HCS $\frac{5}{16}$ -18 x 1 |
| 6.. | 539 130341.... | 1 | PLATE, OUTER | 35.. | 539 990655.... | 1 | HCS $\frac{3}{8}$ -16 x $1\frac{1}{2}$ |
| 7.. | 539 132124.... | 1 | PLATE, BACKING | 36.. | 539 976949.... | 1 | HCS $\frac{3}{8}$ -16 x $1\frac{3}{4}$ |
| 8.. | 539 132122.... | 1 | PLATE, BACKING | 37.. | 539 108461.... | 3 | HCS $\frac{1}{4}$ -20 x $\frac{1}{2}$ |
| 9.. | 539 919078.... | 1 | PULLEY, IDLER | 38.. | 539 990643.... | 2 | HCS $\frac{1}{4}$ -20 x $\frac{7}{8}$ |
| 10.. | 539 130324.... | 1 | PULLEY | 39.. | 539 990316.... | 4 | RHSNB $\frac{5}{16}$ -18 x $\frac{3}{4}$ |
| 11.. | 539 130292.... | 1 | IMPELLER | 40.. | 539 990645.... | 1 | RHSNB $\frac{3}{8}$ -16 x 1 |
| 12.. | 539 113683.... | 1 | V-IDLER | 41.. | 539 990208.... | 4 | RHSNB $\frac{5}{16}$ -18 x 1 |
| 13.. | 539 130295.... | 1 | HUB, BEARING | 42.. | 539 990302.... | 8 | SCREW $\frac{1}{4}$ x $\frac{3}{8}$ THD FRM |
| 14.. | 539 130296.... | 2 | BEARING | 43.. | 539 976952.... | 1 | SCREW #10-24 x $\frac{5}{8}$ |
| 15.. | 539 130301.... | 2 | BUSHING | 44.. | 539 200282.... | 3 | NUT $\frac{3}{8}$ -16 HEX JAM NYLOC |
| 16.. | 539 130335.... | 1 | MOUNT, IDLER, UPPER | 45.. | 539 130313.... | 6 | NUT $\frac{5}{16}$ -18 TEE |
| 17.. | 539 130336.... | 1 | MOUNT, IDLER, LOWER | 46.. | 539 130314.. | 11 | NUT $\frac{1}{4}$ -20 TEE |
| 18.. | 539 130316.... | 1 | SHAFT, IMPELLER | 47.. | 539 108120.... | 2 | NUT $\frac{1}{4}$ -20 HEX NYLOC |
| 19.. | 539 130337.... | 1 | ARM, IDLER | 48.. | 539 990717.... | 9 | NUT $\frac{5}{16}$ -18 HEX NYLOC |
| 20.. | 539 130338.... | 1 | ARM, TENSION | 49.. | 539 108735.... | 2 | NUT $\frac{1}{4}$ -20 HEX FLANGE |
| 21.. | 539 130339.... | 1 | BRACKET, MOUNT, FRONT | 50.. | 539 108089.... | 1 | WELD NUT, PLATED |
| 22.. | 539 130340.... | 1 | BRACKET, MOUNT, REAR | 51.. | 539 910935.... | 1 | WASHER |
| 23.. | 539 101977.... | 1 | TRACTION SPRING | 52.. | 539 990118.... | 2 | WASHER $\frac{3}{8}$ SPLT LOCK |
| 24.. | 539 130323.... | 1 | SPACER | 53.. | 539 990122.... | 3 | WASHER $\frac{3}{8}$ SAE FLT |
| 25.. | 539 105785.... | 1 | DECAL, WARNING | 54.. | 539 110323.... | 2 | WASHER, HARDENED |
| 26.. | 539 106741.... | 1 | DECAL, SEVERING | 55.. | 539 990055.... | 5 | WASHER $\frac{1}{4}$ SAE FLT |
| 27.. | 539 108088.... | 1 | LATCH, HOOD | 56.. | 539 109552.... | 2 | WASHER $\frac{3}{16}$ LOCK |
| 28.. | 539 104763.... | 1 | RETAINER, U TYPE $\frac{5}{16}$ -18 | 57.. | 539 108084.... | 2 | WASHER $\frac{3}{16}$ x $\frac{3}{4}$ x 16 GA |
| 29.. | 539 115667.... | 1 | KEY $\frac{3}{16}$ x $\frac{1}{2}$ | 58.. | 539 976988.... | 1 | HAIRPIN |

ACCESSORIES

Bagger

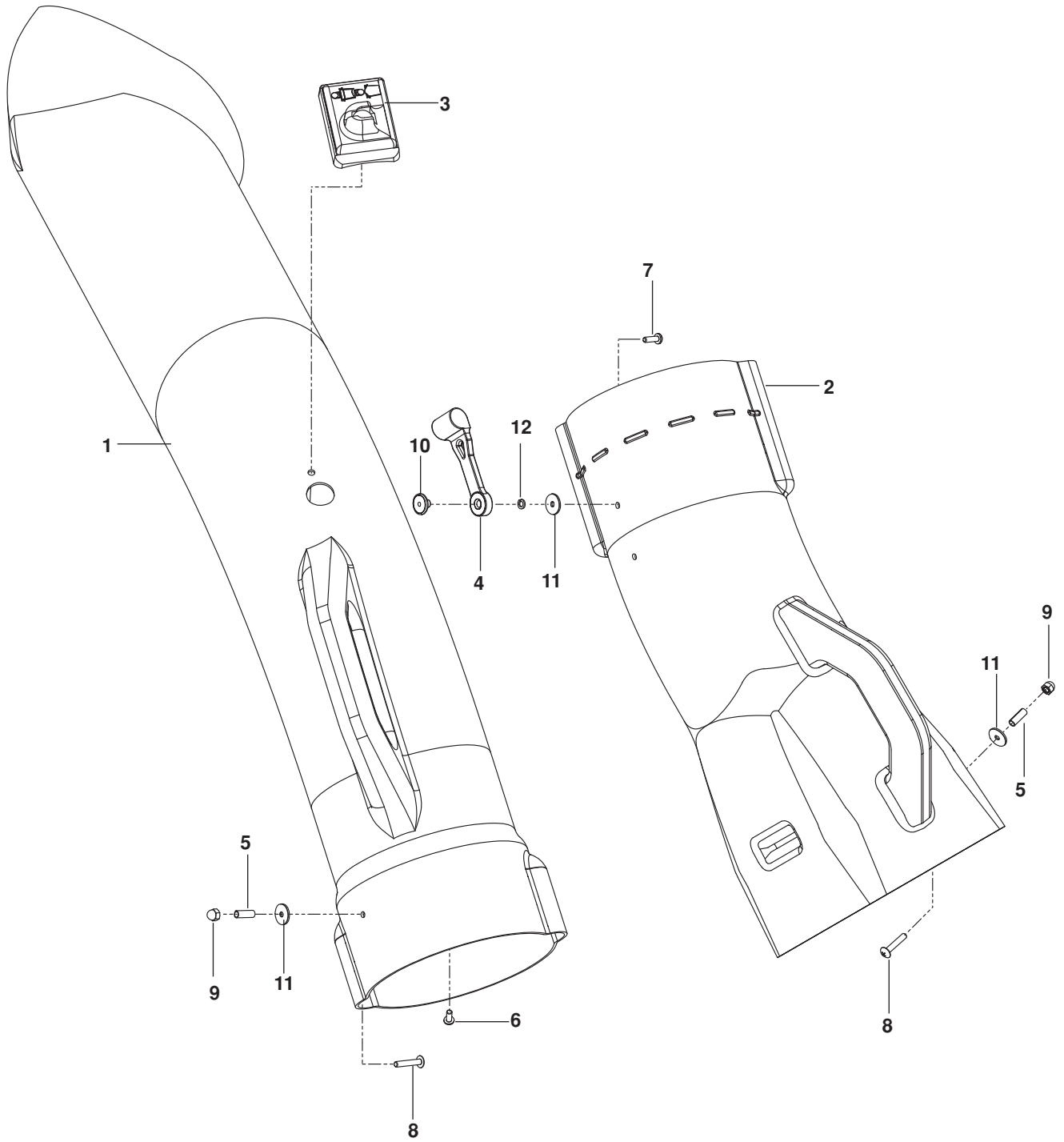


ACCESSORIES

| ITEM | PART NO. | QTY. | DESCRIPTION | ITEM | PART NO. | QTY. | DESCRIPTION |
|------|----------------|------|----------------------|------|----------------|------|---|
| 1.. | 532 195373.... | 1 | COVER | 10.. | 532 192603.... | 1 | GASKET, COVER |
| 2.. | 532 400226.... | 3 | CONTAINER, SOFT BAG | 11.. | 539 110281.... | 1 | SUPPORT, CHUTE |
| 3.. | 532 130895.... | 2 | HANDLE, BAGGER COVER | 12.. | 539 112294.... | 1 | FLEX TRIM |
| 4.. | 539 108098.... | 1 | FRAME, BAGGER | 13.. | 539 108096.... | 2 | HAIR PIN |
| 5.. | 532 192709.... | 1 | SCREEN, COVER | 14.. | 539 990627.... | 2 | HCS $\frac{5}{16}$ -18 x $1\frac{1}{4}$ |
| 6.. | 539 108097.... | 4 | PLUG, TUBING END | 15.. | 539 976952.... | 6 | SCREW #10-24 x $\frac{5}{8}$ |
| 7.. | 522 801301.... | 2 | PLUG, SPACER | 16.. | 539 112899.... | 2 | NUT $\frac{5}{16}$ -18 HEX FLG NYLOC |
| 8.. | 532 192786.... | 2 | PIN, HINGE | 17.. | 539 976977.... | 6 | NUT #10-24 NYLOC |
| 9.. | 532 192550.... | 1 | SEAL, COVER | 18.. | 539 990188.... | 4 | WASHER $\frac{5}{16}$ SAE FLT |

ACCESSORIES

Chutes

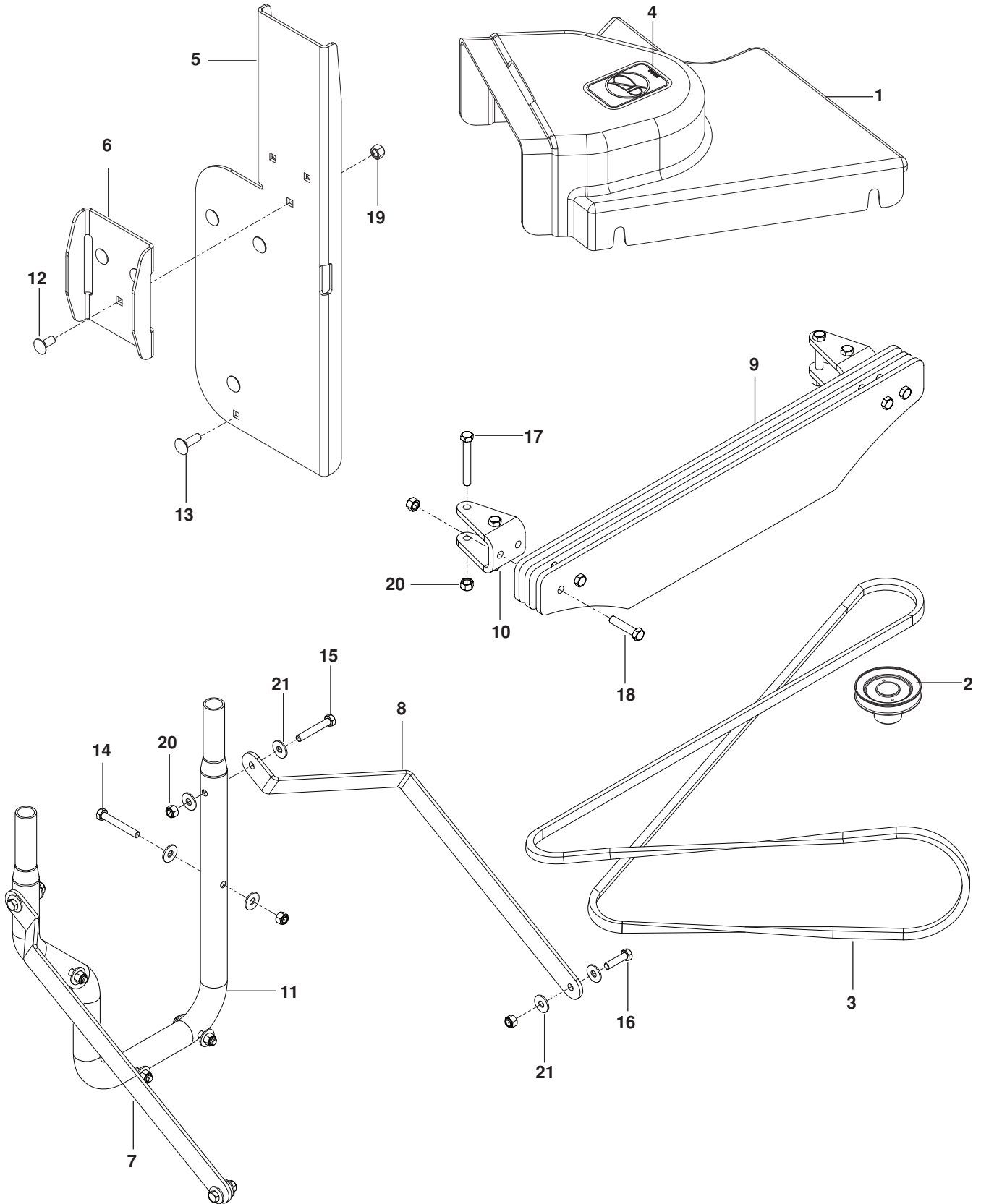


ACCESSORIES

| ITEM | PART NO. | QTY. | DESCRIPTION | ITEM | PART NO. | QTY. | DESCRIPTION |
|------|----------------|------|-------------------------|------|----------------|------|--------------------------------|
| 1.. | 539 108141.... | 1 |CHUTE, UPPER | 7.. | 539 976952.... | 1 | SCREW #10-24 x 5/8 |
| 2.. | 539 130294.... | 1 |CHUTE, MIDDLE | 8.. | 539 108083.... | 2 | SCREW #10-24 x 1 1/8 |
| 3.. | 539 108082.... | 1 |INDICATOR, BAG DUMP | 9.. | 539 108086.... | 2 | NUT #10-24 ACORN |
| 4.. | 539 108088.... | 1 |LATCH, HOOD | 10.. | 539 108089.... | 1 |WELD NUT, PLATED |
| 5.. | 539 108085.... | 2 |SPACER, SPLIT | 11.. | 539 108084.... | 3 | WASHER 3/16 x 3/4 x 16 GA |
| 6.. | 539 108081.... | 1 |SCREW #10-14 x 1/2 | 12.. | 539 109552.... | 2 | WASHER 3/16 LOCK |

ACCESSORIES

Guard, Mount and Belt

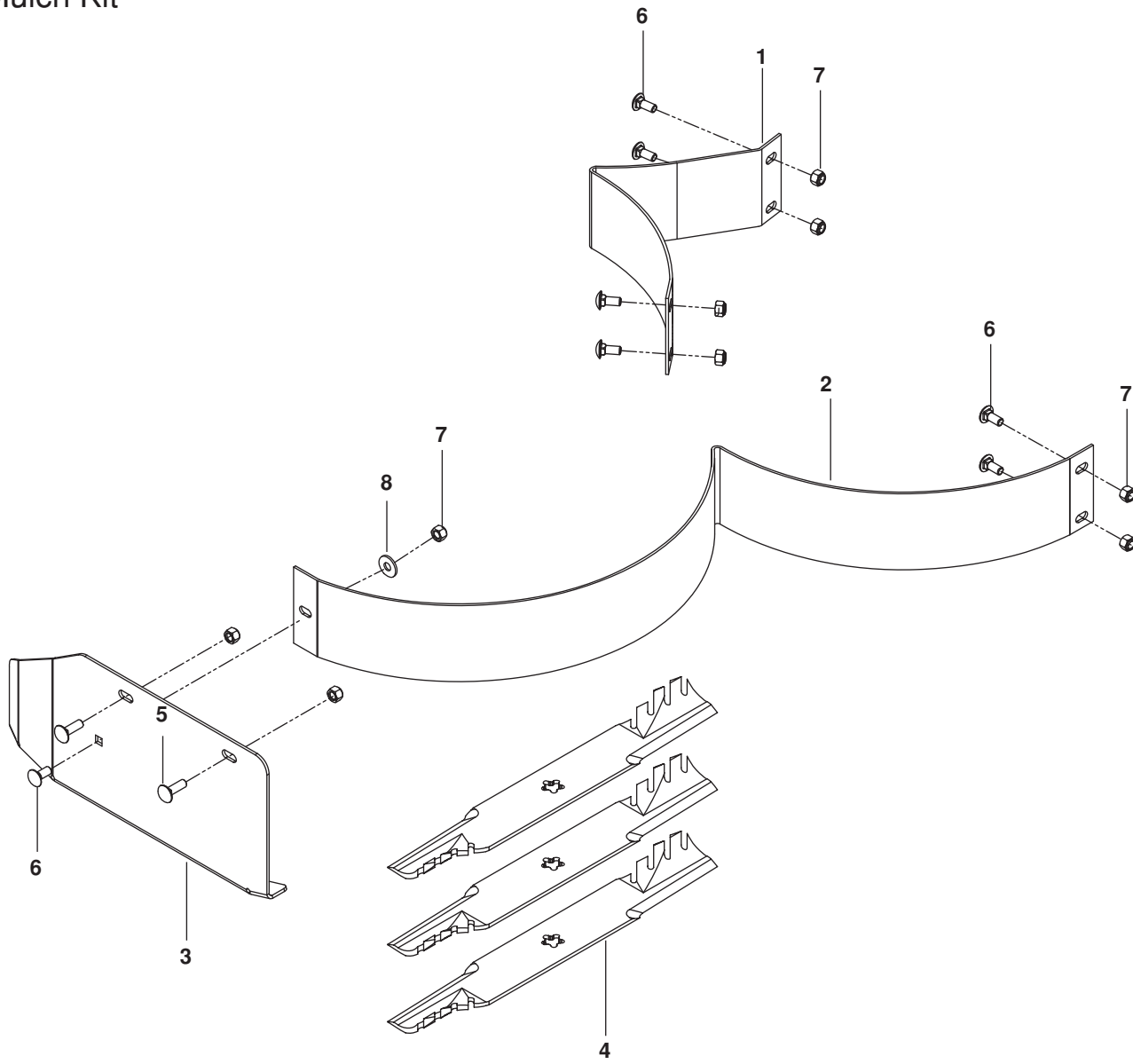


ACCESSORIES

| ITEM | PART NO. | QTY. | DESCRIPTION | ITEM | PART NO. | QTY. | DESCRIPTION |
|------|----------------|------|------------------------|------|----------------|------|-------------------------------|
| 1.. | 539 130308.... | 1 | SHIELD, BELT, 61" | 12.. | 539 990316.... | 3 | RHSNB $5/16$ -18 x $3/4$ |
| 2.. | 539 130321.... | 1 | PULLEY, 61" | 13.. | 539 990208.... | 4 | RHSNB $5/16$ -18 x 1 |
| 3.. | 539 130348.... | 1 | BELT, 61" | 14.. | 539 102612.... | 4 | HCS $3/8$ -16 x $2\ 3/4$ |
| 4.. | 539 105743.... | 1 | DECAL, NO STEP | 15.. | 539 976949.... | 4 | HCS $3/8$ -16 x $1\ 3/4$ |
| 5.. | 539 130342.... | 1 | PLATE, MOUNT | 16.. | 539 976937 | ...2 | ... HCS $5/16$ -18 X 2 |
| 6.. | 539 130343.... | 1 | PLATE, BACKING | 17.. | 539 976938 | ...4 | ... HCS $5/16$ -18 X $2\ 1/4$ |
| 7.. | 539 131089 | ...1 | ... STRAP, RT | 18.. | 539 990627 | ...2 | ... HCS $5/16$ -18 X $1\ 1/4$ |
| 8.. | 539 131090 | ...1 | ... STRAP, LT | 19.. | 539 990717.. | 11 | NUT $5/16$ -18 HEX NYLOC |
| 9.. | 539 113232.... | 3 | WEIGHT PLATE | 20.. | 539 976979.... | 8 | NUT $3/8$ -16 HEX NYLOC |
| 10.. | 539 113203.... | 2 | WEIGHT BRACKET | 21.. | 539 990692 | .16 | ... WASHER $5/16$ STD FLT |
| 11.. | 539 131091 | ...1 | ... TUBE, MOUNT | | | | |

ACCESSORIES

Mulch Kit



ACCESSORIES

| ITEM | PART NO. | QTY. | DESCRIPTION |
|------|-----------------|------|------------------|
| 1.. | 539 113313....1 | | BAFFLE, LEFT |
| 2.. | 539 113315....1 | | BAFFLE, RIGHT |
| 3.. | 539 113327....1 | | MULCH CAP |
| 4.. | 521 981601....3 | | BLADE, 21" GATOR |

| ITEM | PART NO. | QTY. | DESCRIPTION |
|------|-----------------|------|--|
| 5.. | 539 990208....2 | | RHSNB $\frac{5}{16}$ -18 x 1 |
| 6.. | 539 990316....7 | | RHSNB $\frac{5}{16}$ -18 x $\frac{3}{4}$ |
| 7.. | 539 990717....9 | | HEX NUT $\frac{5}{16}$ -18 NYLOC |
| 8.. | 539 990692....1 | | WASHER $\frac{5}{16}$ STD FLT |

