

Gasoline containing up to 10% ethanol (E10) is acceptable for use in this machine. The use of any gasoline exceeding 10% ethanol (E10) will void the product warranty.

Parts Manual

RZ3016 / 966612301

RZ3016 CA / 966612302

RZ3019 BF / 966582101



Please read the operator's manual carefully and make sure you understand the instructions before using the machine.

When you need spare parts or support in service questions, warranty issues, etc., please consult the following professional:

This Parts Manual belongs to the machine with the manufacturing number:	Engine	Transmission

Manufacturing Number

The machine's manufacturing number can be found on the printed plate affixed to the engine compartment. Illustration shown with engine removed.

Stated on the plate, from the top are:

- The machine's type designation (I.D.).
- The manufacturer's type number (Model).
- The machine's serial number (Serial no.)

Please have the type designation and serial number available when ordering spare parts.

The engine's manufacturing number is stamped on one of the valve covers.

The plate states:

- The engine's model.
- The engine's type.
- Code

Please have these available when ordering spare parts.

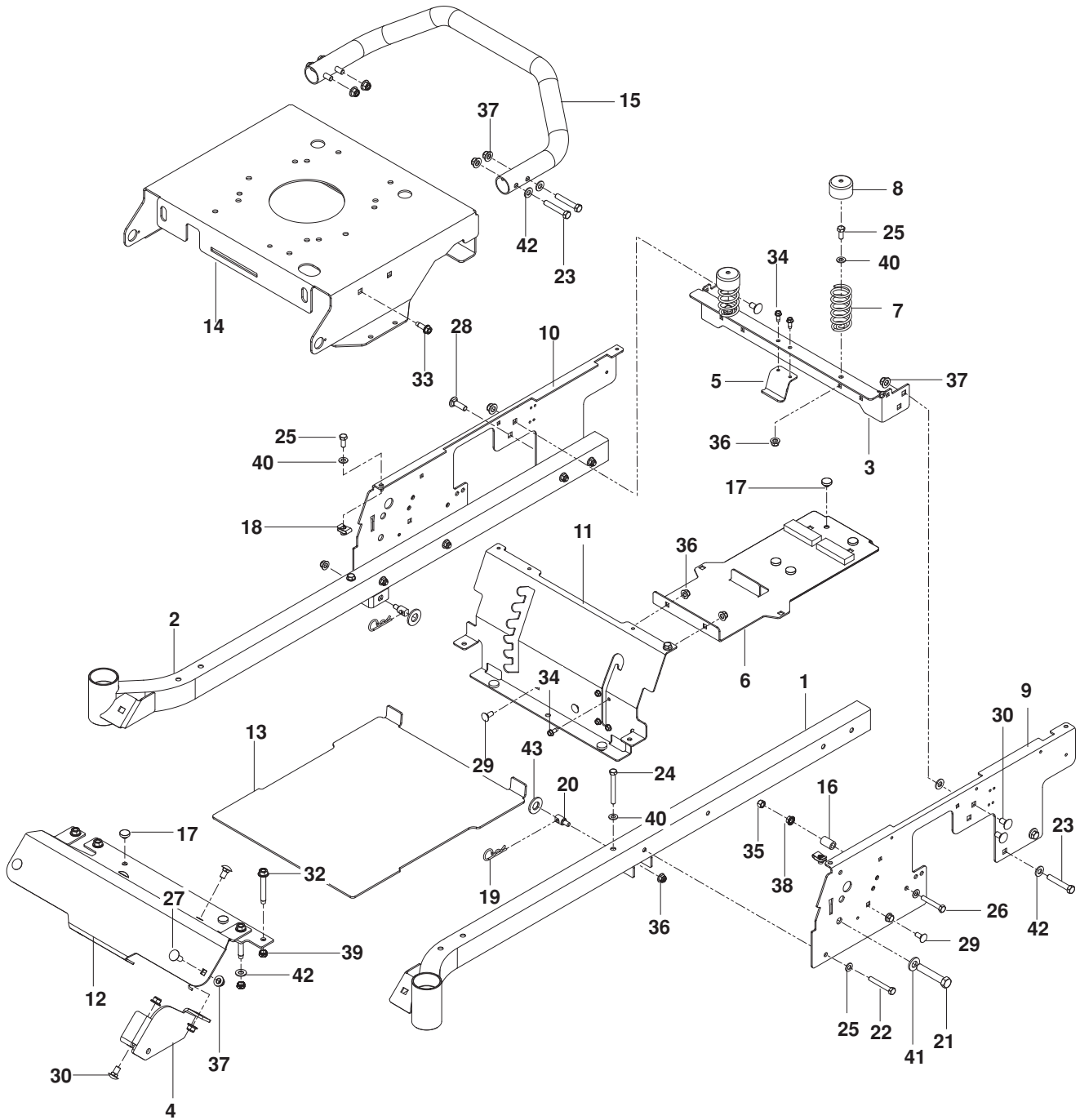
The wheel motors and hydrostatic pumps have a barcode decal affixed at the rear.

CONTENTS

FRAME.....	4
ENGINE PLATE.....	6
STEERING	8
IGNITION SYSTEM	
966612302	10
966612301	12
966582101	14
HYDRAULIC PUMP / MOTOR	16
WHEELS / TIRES	18
BRAKE / DECK LIFT	20
MOWER DECK / CUTTING DECK.....	22
SEAT	24
DECALS	
966612301, 966612302	26
966582101	28

NOTE: ALL FASTENERS ARE GRADE 5 UNLESS OTHERWISE SPECIFIED.

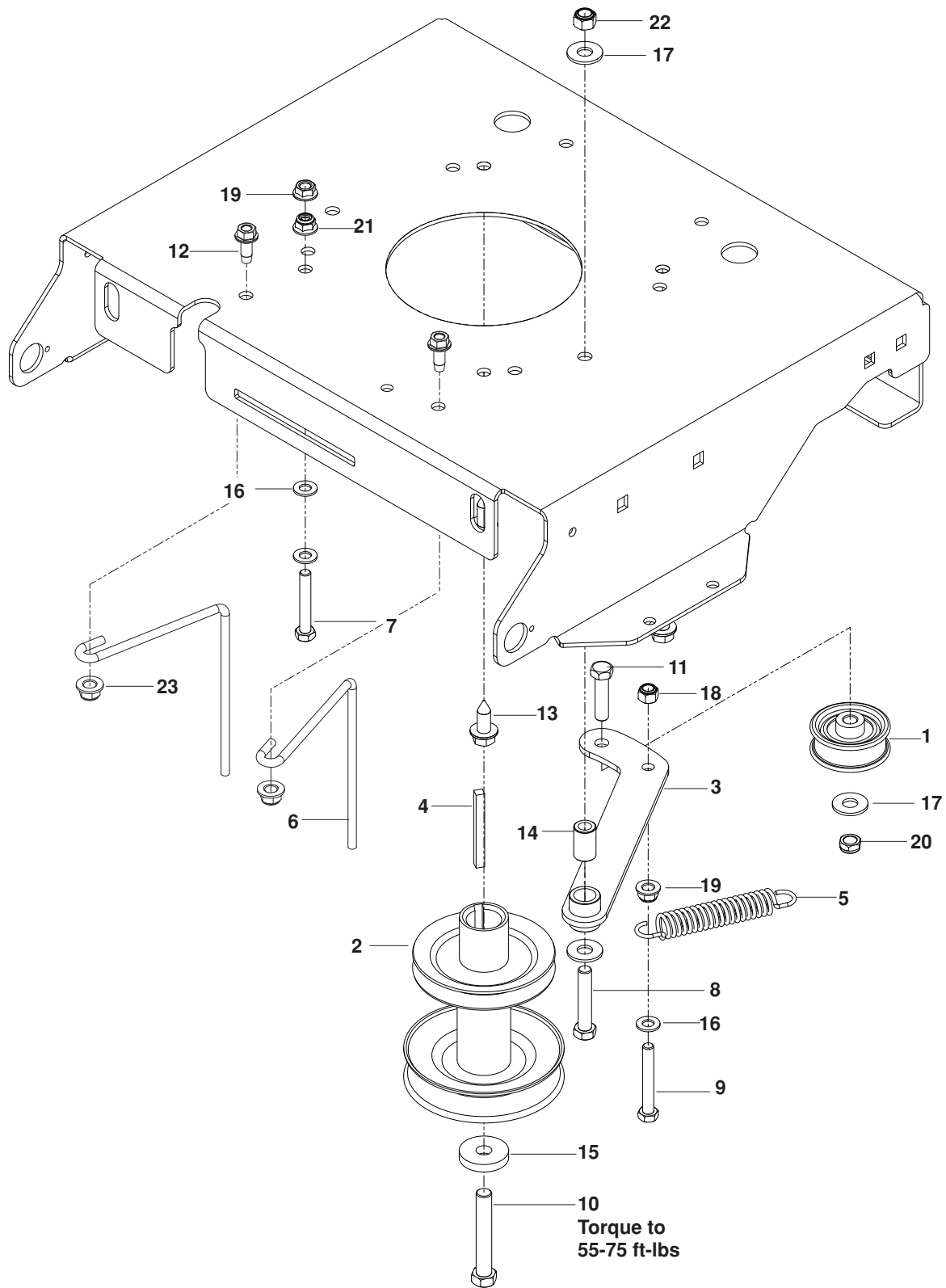
FRAME



FRAME

ITEM	PART NO.	QTY.	DESCRIPTION	ITEM	PART NO.	QTY.	DESCRIPTION
1..	525 454702....	1FRAME TUBE, LT ORG	23..	539 990629....	8HCS $\frac{3}{8}$ -16 x 2 $\frac{1}{4}$
2..	525 454902....	1FRAME TUBE, RT ORG	24..	539 101721....	2HCS $\frac{5}{16}$ -18 x 2 $\frac{3}{4}$
3..	525 464602....	1SUPPORT, REAR SEAT ORG	25..	539 976934....	4HCS $\frac{5}{16}$ -18 x $\frac{3}{4}$
4..	525 605502....	1BRACKET, FRONT DECK BLK	26..	539 976937....	2HCS $\frac{5}{16}$ -18 x 2
5..	525 864502....	1BRACKET, FUEL TANK BLK	27..	539 990645....	4RHSNB $\frac{3}{8}$ -16 x 1
6..	525 798402....	1SUPPORT, TANK BLK	28..	539 100413....	1RHSNB $\frac{3}{8}$ -16 x 1 $\frac{1}{4}$
7..	539 122632....	2SPRING, SEAT	29..	539 990316....	4RHSNB $\frac{5}{16}$ -18 x $\frac{3}{4}$
8..	539 119884....	2CAP, SPRING	30..	539 111785....	6RHSNB $\frac{3}{8}$ -16 x $\frac{3}{4}$
9..	575 328302....	1PLATE, LT ORG	31..	539 107476....	2BOLT $\frac{3}{8}$ -16 x 1 THD FRM
10..	575 328402....	1PLATE, RT ORG	32..	539 111976....	4BOLT $\frac{3}{8}$ -16 x 2 $\frac{5}{8}$ THD FRM
11..	575 852102....	1PANEL, SEAT SUPPORT ORG	33..	539 990369....	2BOLT $\frac{5}{16}$ -18 x 1 THD FRM
12..	525 835902....	1FOOT REST ORG	34..	539 990362....	6SCREW $\frac{1}{4}$ -20 x $\frac{5}{8}$ SLF TAP
13..	576 452401....	1FOOT PLATE w/DECALS ORG	35..	539 990717....	8NUT $\frac{5}{16}$ -18 HEX NYLOC
14..	525 462606....	1PLATE, ENGINE ORG	36..	539 112899..	14NUT $\frac{5}{16}$ -18 HEX FLANGE NYL
15..	525 865902....	1BAR, IMPACT ORG	37..	521 996501..	12NUT $\frac{3}{8}$ -16 FLANGE NYLOC
16..	539 119087....	2BUSHING	38..	539 990585....	2NUT $\frac{5}{16}$ -18 HEX WHIZLK
17..	539 102587....	8GROMMET, BUMPER	39..	539 200282....	4NUT $\frac{3}{8}$ -16 HEX JAM NYLOC
18..	539 104763....	4RETAINER, U TYPE	40..	539 990188..	12WASHER $\frac{5}{16}$ SAE FLAT
19..	539 976989....	2HAIRPIN	41..	539 990250..	10WASHER $\frac{1}{2}$ SAE
20..	532 195161....	2STUD w/ ANTI-ROTATE	42..	539 990122....	6WASHER $\frac{3}{8}$ SAE FLT
21..	539 101332....	2HCS $\frac{1}{2}$ -13 x 2 $\frac{3}{4}$	43..	539 976982....	2WASHER $\frac{5}{8}$ SAE FLT
22..	539 976938....	4HCS $\frac{5}{16}$ -18 x 2 $\frac{1}{4}$				

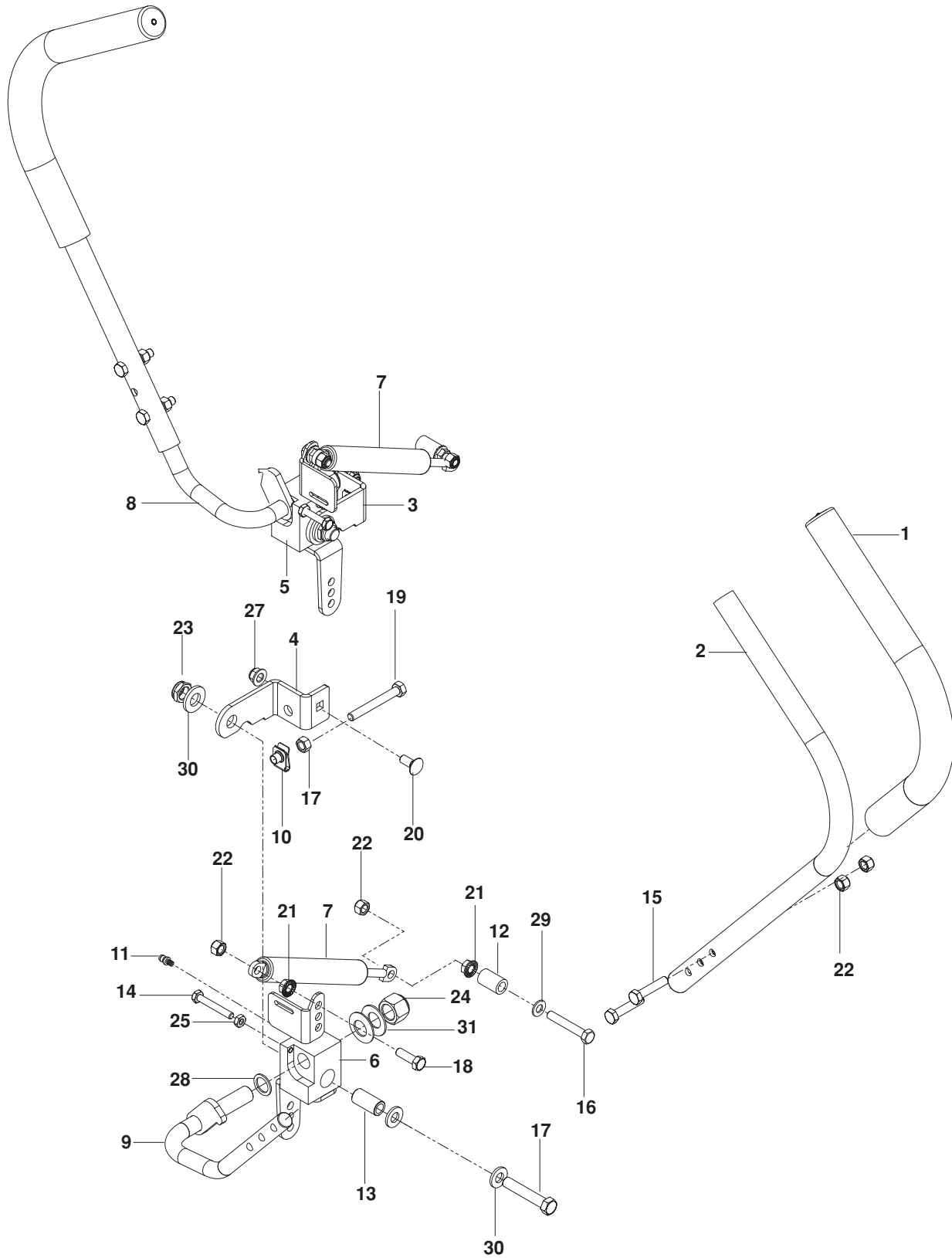
ENGINE PLATE



ENGINE PLATE

ITEM	PART NO.	QTY.	DESCRIPTION	ITEM	PART NO.	QTY.	DESCRIPTION
1..	539 120812....	1PULLEY, IDLER	13..	532 120616....	3 SCREW $\frac{3}{8}$ -16 x 1 THD FRM
2..	574 872801....	1PULLEY, ENGINE	14..	539 115270....	1 BUSHING, METAL
3..	539 120990....	1 IDLER, BLK	15..	539 115546....	1 WASHER
4..	539 917033....	1KEY $\frac{1}{4}$ SQ x $2\frac{1}{2}$ LG	16..	539 990188....	3 WASHER $\frac{5}{16}$ SAE FLAT
5..	539 116350....	1 SPRING $3\frac{1}{2}$	17..	539 990517....	3 WASHER $\frac{3}{8}$ FLAT STD
6..	574 172901....	2 GUIDE, BELT	18..	539 990717....	1 NUT $\frac{5}{16}$ -18 HEX NYLOC
7..	539 976937....	1HCS $\frac{5}{16}$ -18 x 2	19..	539 990585....	2 NUT $\frac{5}{16}$ -18 HEX WHIZLK
8..	539 990588....	1HCS $\frac{3}{8}$ -16 x 2	20..	539 200282....	1 NUT $\frac{3}{8}$ -16 HEX JAM NYLOC
9..	539 976938....	1HCS $\frac{5}{16}$ -18 x $2\frac{1}{4}$	21..	539 112899....	2 NUT $\frac{5}{16}$ -18 FLANGE NYLOC
10..	539 110065....	1HCS $\frac{7}{16}$ -20 x $2\frac{3}{4}$	22..	539 976979....	1 NUT $\frac{3}{8}$ -16 HEX NYLOC
11..	539 990655....	1HCS $\frac{3}{8}$ -16 x $1\frac{1}{2}$	23..	521 996501....	2 NUT $\frac{3}{8}$ -16 FLANGE NYLOC
12..	539 976941....	2HCS $\frac{3}{8}$ -16 x $1\frac{1}{4}$				

STEERING

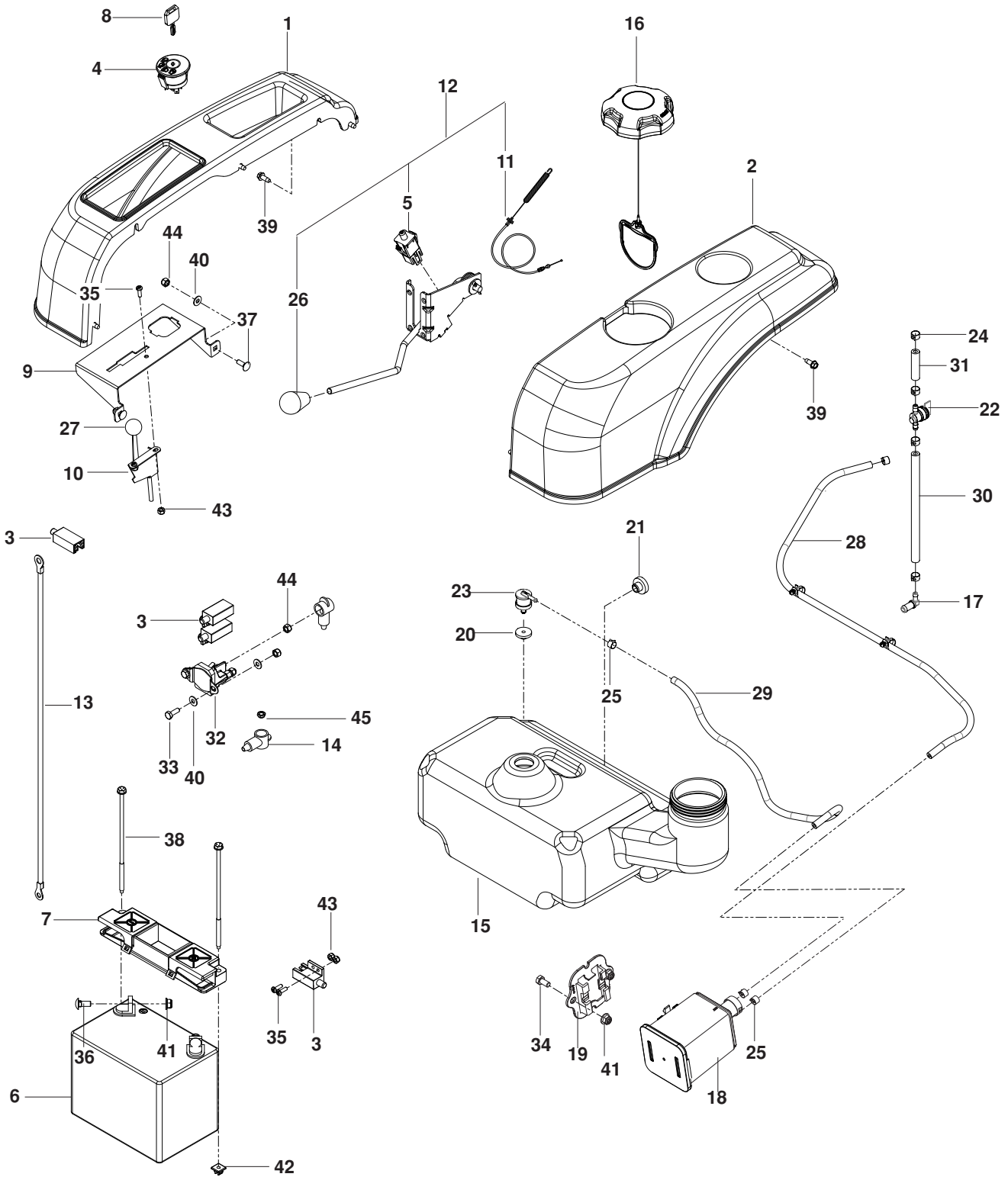


STEERING

ITEM	PART NO.	QTY.	DESCRIPTION	ITEM	PART NO.	QTY.	DESCRIPTION
1..	539 120899....	2	GRIP	17..	539 101332....	2	HCS 1/2-13 x 2 3/4
2..	539 120160....	2	LEVER, UPPER	18..	539 990209....	2	HCS 5/16-18 x 1
3..	539 117949....	1	STOP, STEER CNTRL RT	19..	539 108396....	2	HCS 5/16-18 x 2 1/2
4..	539 117950....	1	STOP, STEER CNTRL LT	20..	539 990316....	2	RHSNB 5/16-18 x 3/4
5..	539 120984....	1	PIVOT, RT	21..	539 990585....	4	NUT 5/16-18 HEX WHIZLK
6..	539 120983....	1	PIVOT, LT	22..	539 990717....	8	NUT 5/16-18 HEX NYLOC
7..	539 114453....	2	DAMPENER	23..	539 108010....	2	NUT 1/2-13 JAM NYLOC GR 2
8..	539 120159....	1	LOWER LEVER, RT	24..	539 110340....	2	NUT 5/8-11 NYLOC
9..	539 120162....	1	LOWER LEVER, LT	25..	539 991112....	2	NUT 1/4-20 JAM
10..	539 104763....	2	RETAINER, U TYPE	26..	539 990196....	2	NUT 5/16-18 HEX
11..	539 115638....	2	ZERK	27..	539 112899....	2	NUT 5/16-18 HEX FLANGE NYL
12..	539 119087....	2	BUSHING	28..	539 115570....	2	WASHER, SPECIAL
13..	539 120956....	2	BUSHING 1/2 ID x 3/4 OD	29..	539 990188....	2	WASHER 5/16 SAE FLT
14..	539 991003....	2	HCS 1/4-20 x 1 3/4	30..	539 990250....	6	WASHER 1/2 SAE
15..	539 976935....	4	HCS 5/16-18 x 1 1/2	31..	539 911121....	4	WASHER 5/8 BELLEVILLE
16..	539 976937....	2	HCS 5/16-18 x 2				

IGNITION SYSTEM

966612302

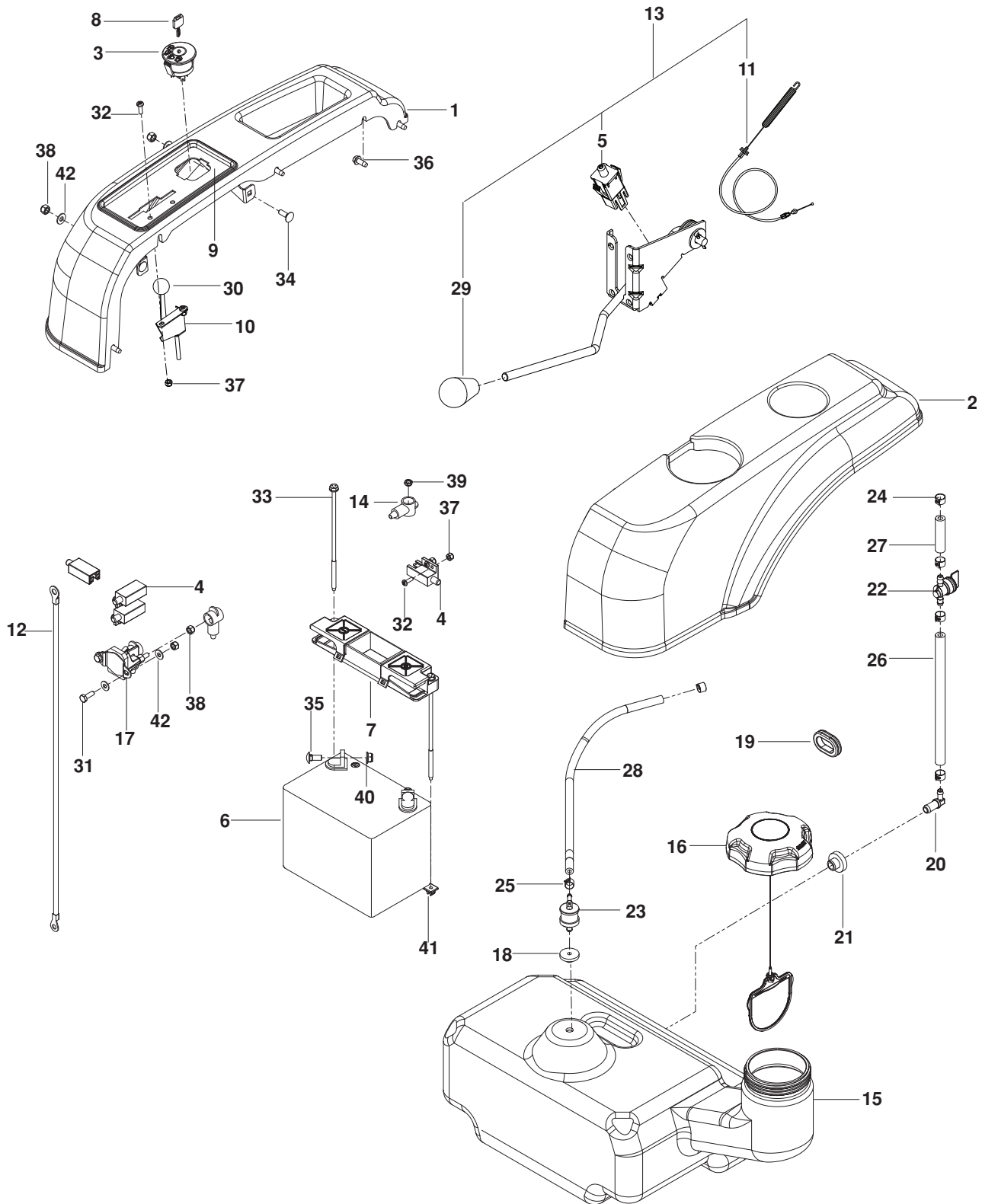


IGNITION SYSTEM

ITEM	PART NO.	QTY.	DESCRIPTION	ITEM	PART NO.	QTY.	DESCRIPTION
1..	525 594701....	1	FENDER, RT	26..	539 132624....	1	KNOB, CLUTCH
2..	525 594702....	1	FENDER, LT	27..	539 133049....	1	KNOB
3..	539 101080....	4	SWITCH	28..	575 437802....	1	HOSE $\frac{3}{16}$ X 33" FUEL
4..	539 107541....	1	SWITCH, IGNITION	29..	574 531305....	1	HOSE $\frac{3}{16}$ X 20" FUEL
5..	532 176138....	1	SWITCH, INTERLOCK	30..	539 115736....	1	HOSE $\frac{1}{4}$ X 8
6..	539 102436....	1	BATTERY	31..	539 121486....	1	HOSE $\frac{1}{4}$ X 2
7..	539 107628....	1	HOLD DOWN, BATTERY	32..	539 101714....	1	SOLENOID
8..	539 107544....	1	KEY, IGNITION	33..	539 990580....	2	HCS $\frac{1}{4}$ -20 X $\frac{3}{4}$
9..	525 598601....	1	PANEL, CONTROL	34..	539 108392....	2	HCS $\frac{5}{16}$ -18 X $\frac{5}{8}$
10..	522 730101....	1	CABLE, THROTTLE	35..	539 976952....	8	SCREW #10-24 X $\frac{5}{8}$
11..	532 193235....	1	CABLE, CLUTCH	36..	539 990316....	2	RHSNB $\frac{5}{16}$ -18 X $\frac{3}{4}$
12..	575 661501....	1	CLUTCH ASSY w/ CABLE	37..	539 990074....	2	RHSNB $\frac{1}{4}$ -20 X $\frac{3}{4}$ GR 2
13..	539 110068....	1	BATTERY CABLE, NEGATIVE	38..	539 107632....	2	BOLT $\frac{1}{4}$ X 7 $\frac{1}{2}$
14..	539 116400....	3	TERMINAL COVER, SM	39..	539 990362....	9	SCREW $\frac{1}{4}$ -20 X $\frac{5}{8}$ SLF TAP
15..	576 369501....	1	TANK, FUEL	40..	539 990055....	4	WASHER $\frac{1}{4}$ FLAT SAE
16..	575 018101....	1	CAP, FUEL w/ TETHER	41..	539 112899....	4	NUT $\frac{5}{16}$ -18 FLANGE NYLOC
17..	539 110432....	1	ELBOW	42..	539 107629....	2	NUT $\frac{1}{4}$ PUSH NYLON
18..	532 414114....	1	CANISTER, CARBON	43..	539 976977....	8	NUT #10-24 HEX NYLOC
19..	575 242701....	1	BRACKET, CANISTER	44..	539 976978....	4	NUT $\frac{1}{4}$ -20 HEX NYLOC
20..	576 618201....	1	GROMMET	45..	539 108120....	1	NUT $\frac{1}{4}$ -20 HEX THIN NYLOC
21..	539 105245....	1	GROMMET	NOT SHOWN			
22..	539 916325....	1	VALVE, FUEL	539 104974....	1	CABLE, POSITIVE	
23..	576 618101....	1	VALVE, FUEL CHECK	539 103306....	1	CABLE, POSITIVE LONG	
24..	539 912222....	4	CLAMP, HOSE	525 744301....	1	WIRING HARNESS	
25..	575 436501....	4	CLAMP, HOSE	539 976856....	5	WIRE TIE	

IGNITION SYSTEM

966612301

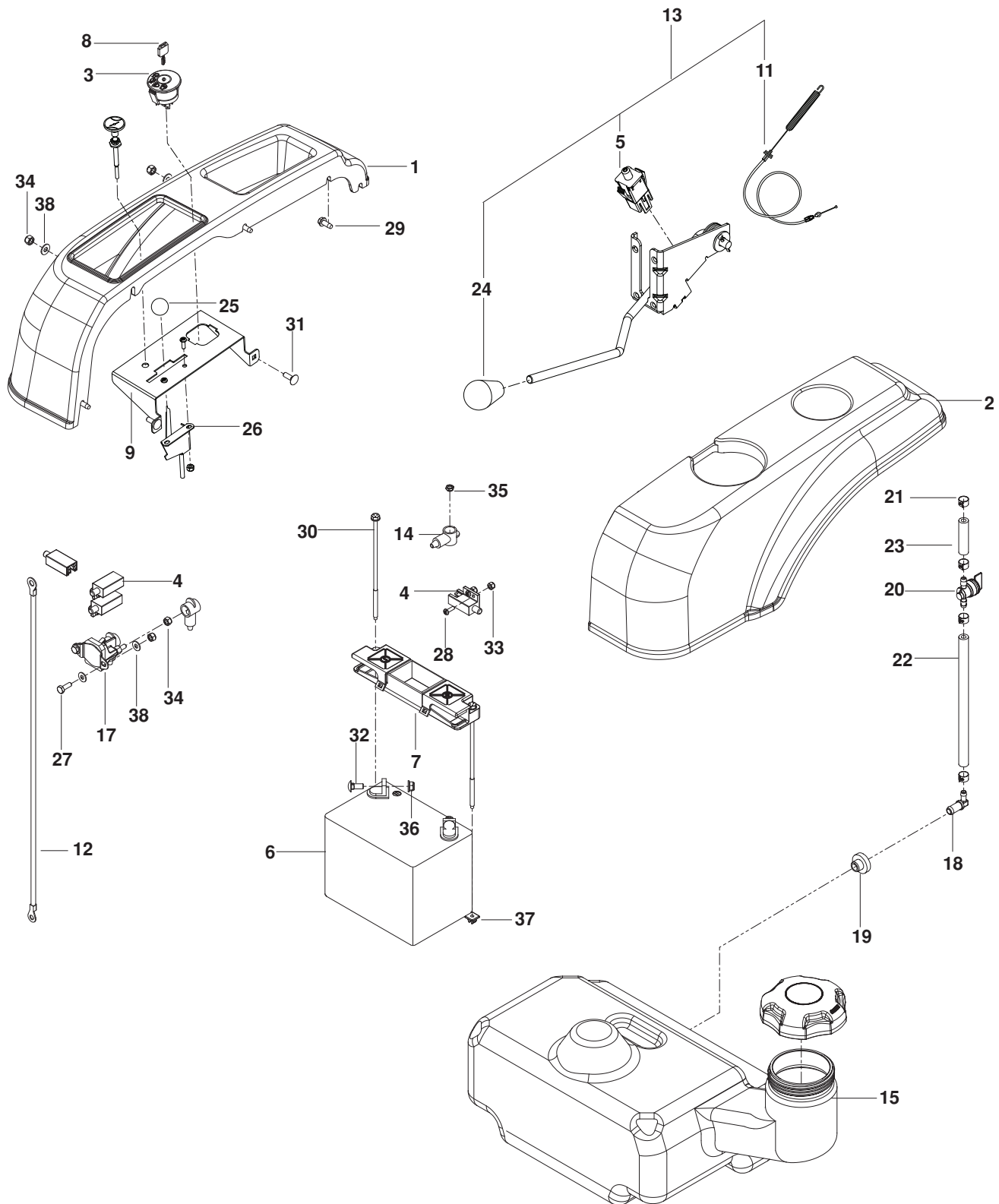


IGNITION SYSTEM

ITEM	PART NO.	QTY.	DESCRIPTION	ITEM	PART NO.	QTY.	DESCRIPTION
1..	525 594701....	1	FENDER, RT	25..	575 436501 ...	2	CLAMP, HOSE
2..	525 594702....	1	FENDER, LT	26..	539 115736....	1	HOSE ¼ x 8
3..	539 107541....	1	SWITCH, IGNITION	27..	539 121486....	1	HOSE, ¼ x 2
4..	539 101080....	4	SWITCH	28..	574 521305....	1	HOSE, FUEL, ³/₁₆" x 20"
5..	532 176138....	1	SWITCH, INTERLOCK	29..	539 132624....	1	KNOB, CLUTCH
6..	539 102436....	1	BATTERY	30..	539 133049....	1	KNOB
7..	539 107628....	1	HOLD DOWN, BATTERY	31..	539 990580....	2	HCS ¼-20 x ¾
8..	539 107544....	1	KEY, IGNITION	32..	539 976952....	8	SCREW #10-24 x ⁵/₈
9..	525 598601....	1	PANEL, CONTROLS	33..	539 107632....	2	BOLT ¼ x 7½
10..	522 730101....	1	CABLE, THROTTLE	34..	539 990074....	2	RHSNB ¼-20 x ¾ GR2
11..	532 193235....	1	CABLE, CLUTCH	35..	539 990316....	2	RHSNB ⁵/₁₆-18 x ¾
12..	539 110068....	1	BATTERY CABLE, NEGATIVE	36..	539 990362....	9	SCREW ¼-20 x ⁵/₈ SLF TAP
13..	575 661501....	1	CLUTCH ASSY w/ CABLE	37..	539 976977....	8	NUT #10-24 HEX NYLOC
14..	539 116400....	3	TERMINAL COVER	38..	539 976978....	4	NUT ¼-20 HEX NYLOC
15..	576 369501....	1	TANK, FUEL	39..	539 108120....	1	NUT ¼-20 HEX THIN NYLOC
16..	575 018101....	1	CAP, FUEL w/ TETHER	40..	539 112899....	2	NUT ⁵/₁₆-18 HEX FLG NYLOC
17..	539 101714....	1	SOLENOID	41..	539 107629....	2	NUT ¼ PUSH NYLON
18..	576 618201....	1	GROMMET, CHECK VALVE	42..	539 990055....	4	WASHER ¼ FLAT SAE
19..	539 105974....	1	GROMMET, RUBBER	NOT SHOWN			
20..	539 110432....	1	ELBOW	539 104974....	1	CABLE, POSITIVE	
21..	539 105245....	1	FITTING, TANK	539 103306....	1	CABLE, POSITIVE LONG	
22..	539 916325....	1	VALVE, FUEL	574 658201....	1	WIRING HARNESS	
23..	576 618101....	1	VALVE, FUEL CHECK	539 110290....	2	FOAM STRIP, TANK	
24..	539 912222....	4	CLAMP, HOSE				

IGNITION SYSTEM

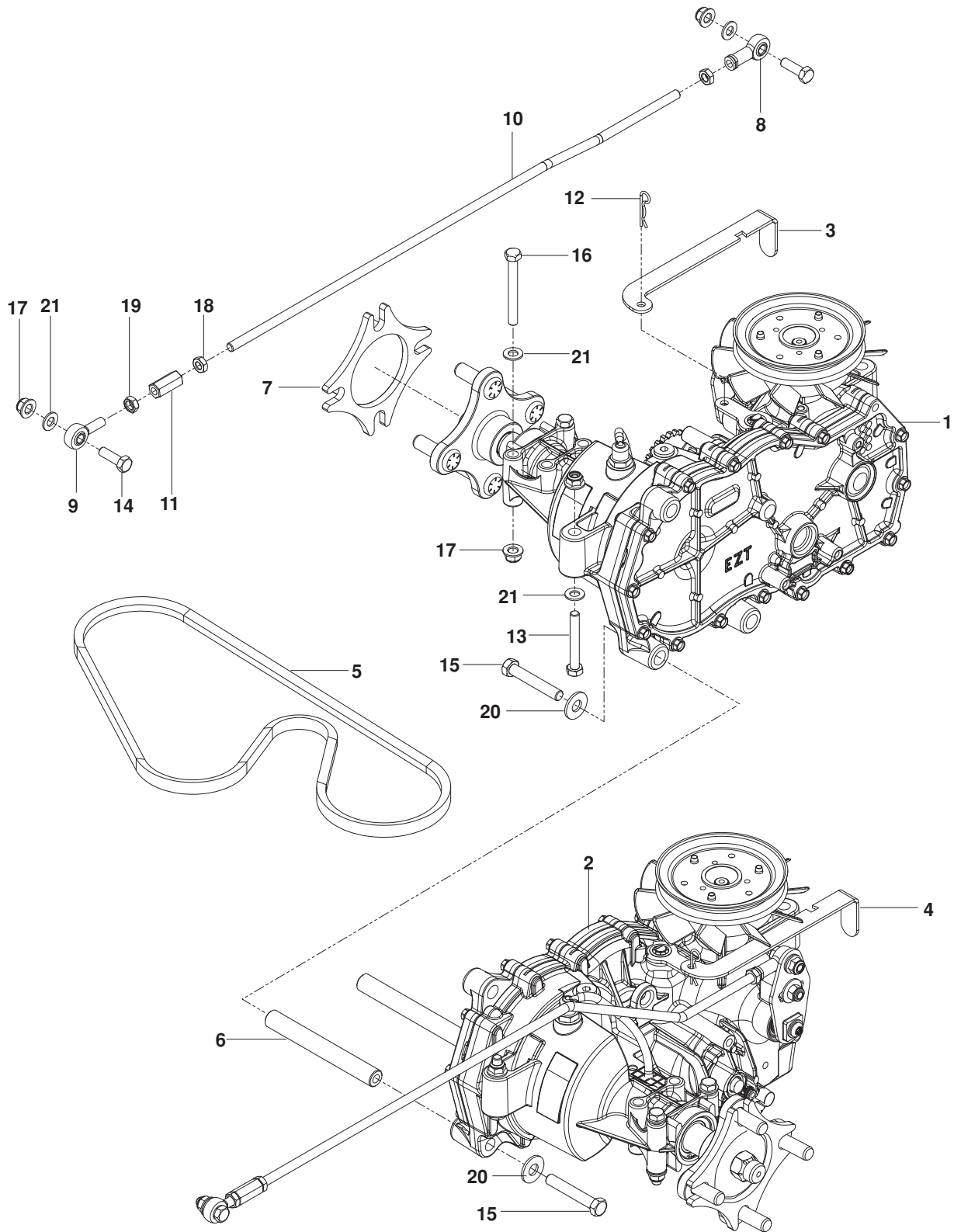
966582101



IGNITION SYSTEM

ITEM	PART NO.	QTY.	DESCRIPTION	ITEM	PART NO.	QTY.	DESCRIPTION
1..	525 594701....	1	FENDER, RT	24..	539 132624....	1	KNOB, CLUTCH
2..	525 594702....	1	FENDER, LT	25..	539 133049....	1	KNOB
3..	539 107541....	1	SWITCH, IGNITION	26..	539 112439....	1	CONTROL, CHOKE
4..	539 101080....	4	SWITCH	27..	539 990580....	2	HCS 1/4-20 x 3/4
5..	532 176138....	1	SWITCH, INTERLOCK	28..	539 976952....	8	SCREW #10-24 x 5/8
6..	539 102436....	1	BATTERY	29..	539 990362....	9	SCREW 1/4-20 x 5/8 SLF TAP
7..	539 107628....	1	HOLD DOWN, BATTERY	30..	539 107632....	2	BOLT 1/4 x 7 1/2
8..	539 107544....	1	KEY, IGNITION	31..	539 990074....	2	RHSNB 1/4-20 x 3/4 GR2
9..	575 962901....	1	PANEL, CONTROL	32..	539 990316....	2	RHSNB 5/16-18 x 3/4
10..	522 730101....	1	CABLE, THROTTLE	33..	539 976977....	8	NUT #10-24 HEX NYLOC
11..	532 193235....	1	CABLE, CLUTCH	34..	539 976978....	4	NUT 1/4-20 HEX NYLOC
12..	539 110068....	1	BATTERY CABLE, NEGATIVE	35..	539 108120....	1	NUT 1/4-20 HEX THIN NYLOC
13..	575 661501....	1	CLUTCH ASSY w/ CABLE	36..	539 112899....	2	NUT 5/16-18 HEX FLG NYLOC
14..	539 116400....	3	TERMINAL COVER	37..	539 107629....	2	NUT 1/4 PUSH NYLON
15..	574 790702....	1	TANK, FUEL	38..	539 990055....	4	WASHER 1/4 FLAT SAE
16..	539 130393....	1	CAP, FUEL	NOT SHOWN			
17..	539 101714....	1	SOLENOID	539 104974....	1	CABLE, POSITIVE	
18..	539 110432....	1	ELBOW	539 103306....	1	CABLE, POSITIVE LONG	
19..	539 105245....	1	FITTING, TANK	574 658201....	1	WIRING HARNESS	
20..	539 916325....	1	VALVE, FUEL	539 110290....	2	FOAM STRIP, TANK	
21..	539 912222....	4	CLAMP, HOSE	576 014301....	1	PIGTAIL B&S	
22..	539 115736....	1	HOSE 1/4 x 8	576 035701....	1	FITTING, OIL DRAIN B&S	
23..	539 121486....	1	HOSE, 1/4 x 2	576 030601....	1	HOSE, OIL DRAIN, B&S	

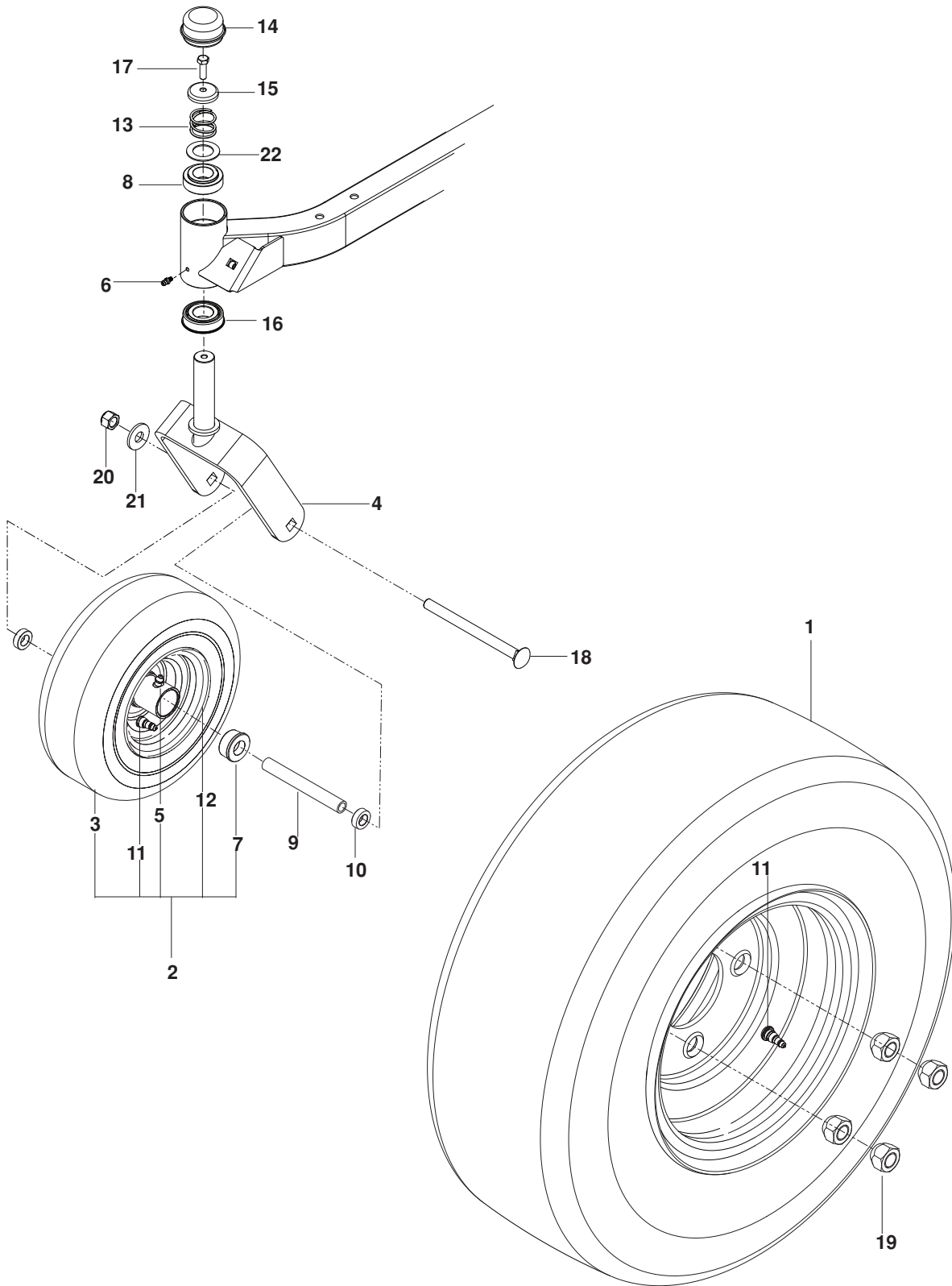
HYDRAULIC PUMP / MOTOR



HYDRAULIC PUMP / MOTOR

ITEM	PART NO.	QTY.	DESCRIPTION	ITEM	PART NO.	QTY.	DESCRIPTION
1..	539 120152....	1 HYDRO, RT	12..	539 976988....	2 HAIRPIN COTTER
2..	539 120153....	1 HYDRO, LT	13..	539 976938....	2 HCS $\frac{5}{16}$ -18 x $2\frac{1}{4}$
3..	539 120157....	1 RELEASE HANDLE, RT	14..	539 990209....	4 HCS $\frac{5}{16}$ -18 x 1
4..	539 120156....	1 RELEASE HANDLE, LT	15..	539 990629....	4 HCS $\frac{3}{8}$ -16 x $2\frac{1}{4}$
5..	539 120806....	1 BELT, EZT	16..	539 101721....	4 HCS $\frac{5}{16}$ -18 x $2\frac{3}{4}$
6..	539 120154....	2 SPACER, HYDRO	17..	539 112899..	10 NUT $\frac{5}{16}$ -18 FLANGE NYLOC
7..	539 114804....	2 SPACER, WHEEL	18..	539 115502....	4 NUT $\frac{5}{16}$ -24 HEX JAM
8..	539 115729....	2 ROD END, RT	19..	539 991073....	2 NUT $\frac{5}{16}$ -24 HEX JAM LH
9..	539 116690....	2 ROD END, MALE LT	20..	539 990517....	4 WASHER $\frac{3}{8}$ FLAT STD
10..	539 120169....	2 ROD, CONTROL	21..	539 990188..	10 WASHER $\frac{5}{16}$ SAE FLAT
11..	539 116689....	2 ROD END COUPLER				

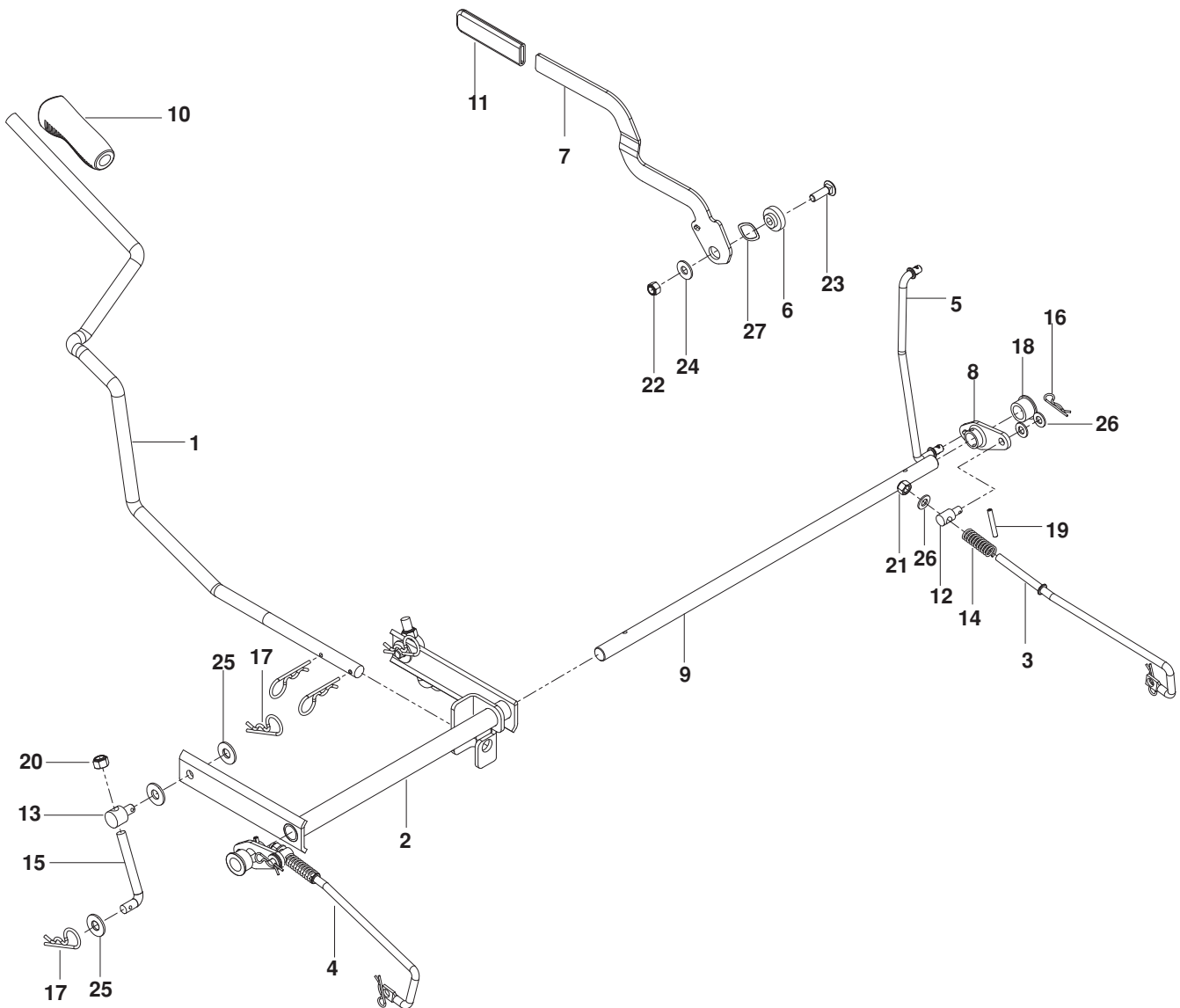
WHEELS / TIRES



WHEELS / TIRES

ITEM	PART NO.	QTY.	DESCRIPTION	ITEM	PART NO.	QTY.	DESCRIPTION
1..	539 120187....2	WHEEL ASSY REAR	12..	539 110183....2	RIM
2..	516 001902....2	CASTER TIRE ASSY	13..	539 115747....2	SPRING, CASTER
3..	539 114697....2	TIRE, 410-5 4 PLY	14..	539 102535....2	CAP, GREASE
4..	510 186501....2	YOKE, CASTER ORG	15..	539 115749....2	PLUG, CASTER
5..	539 103300....2	ZERK	16..	539 112660....2	BEARING, FLANGED
6..	539 115638....2	ZERK	17..	539 115566....2	HHB ⁵ / ₁₆ -18 x 1 NYLOC
7..	576 617801....4	BUSHING, WHEEL	18..	539 121159....2	RHSNB ¹ / ₂ -13 x 6 ¹ / ₂
8..	539 117901....2	BUSHING, CASTER	19..	539 101173....8	NUT ¹ / ₂ -20 LUG
9..	539 105543....2	SPACER	20..	539 200100....2	NUT ¹ / ₂ HEX CNTRLK
10..	539 114805....4	SPACER ⁵ / ₁₆	21..	539 115675....2	WASHER
11..	539 912234....4	VALVE	22..	539 109554....2	WASHER ¹ / ₂ FLAT

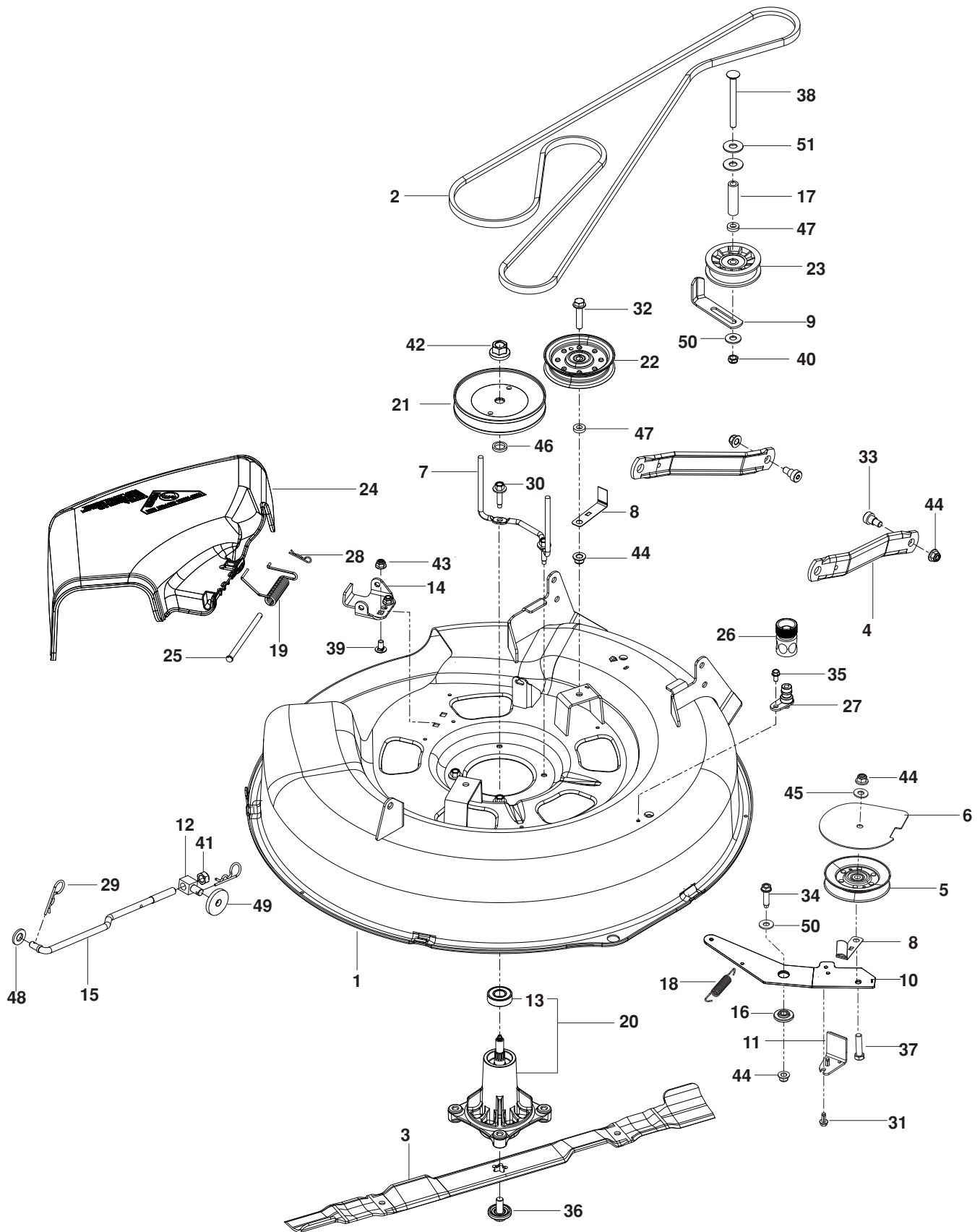
BRAKE / DECK LIFT



BRAKE / DECK LIFT

ITEM	PART NO.	QTY.	DESCRIPTION	ITEM	PART NO.	QTY.	DESCRIPTION
1..	525 580402...	1 HANDLE, LIFT BLK	15..	539 115658....	2 L-ROD 3½"
2..	525 580604...	1 SHAFT, LIFT BLK	16..	539 976988....	4 HAIRPIN COTTER
3..	525 583601...	1 LINKAGE, BRAKE RT	17..	539 976989....	6 HAIRPIN
4..	525 583701...	1 LINKAGE, BRAKE LT	18..	539 109368....	2 BUSHING, PLASTIC
5..	525 735701...	1 LINKAGE, UPPER	19..	539 101082....	2 PIN 3/16 x 1¼ ROLL
6..	539 120220....	1 PIVOT, BRAKE ARM	20..	539 976979....	3 NUT 3/8-16 HEX NYLOC
7..	525 485602....	1 HANDLE, BRAKE	21..	539 990717....	2 NUT 5/16-18 HEX NYLOC
8..	525 580201...	2 BELLCRANK, BRAKE	22..	539 200282....	1 NUT 3/8-16 HEX JAM NYLOC
9..	525 580301...	1 ROD, BRAKE	23..	539 100413....	1 RHSNB 3/8-16 x 1¼
10..	532 196492....	1 GRIP, LIFT HANDLE	24..	539 102843....	1 WASHER 7/16 SPRING DISK
11..	539 120921....	1 GRIP, BRAKE HANDLE	25..	539 990517....	6 WASHER 3/8 FLAT STD
12..	539 112308....	2 SWIVEL, BRAKE	26..	539 990188....	6 WASHER 5/16 SAE FLAT
13..	539 118179....	2 SWIVEL	27..	539 133007....	1 WASHER, .825 WAVE
14..	539 101224....	2 SPRING				

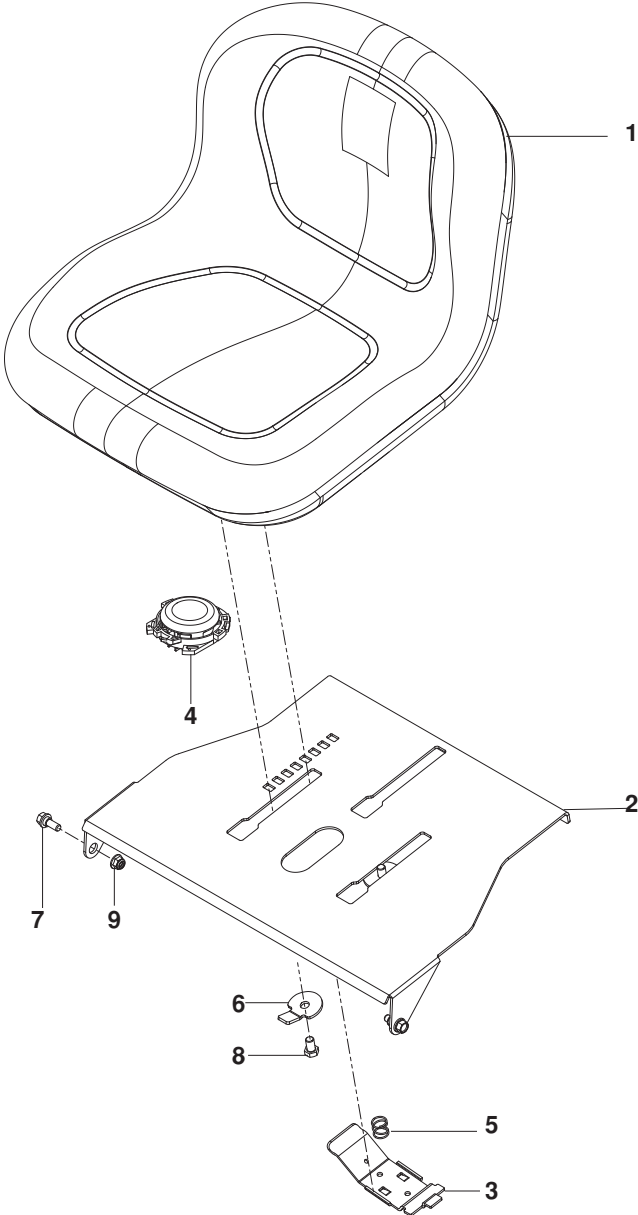
MOWER DECK / CUTTING DECK



MOWER DECK / CUTTING DECK

ITEM	PART NO.	QTY.	DESCRIPTION	ITEM	PART NO.	QTY.	DESCRIPTION
1..	574 453401....	1 DECK w/ SAFETY DECALS	27..	532 415598....	1 WASHOUT PORT
2..	574 173002....	1 BELT, DECK	28..	539 976988....	1 HAIRPIN COTTER
3..	532 419274....	1 BLADE, MOWER/MULCH	29..	539 976989....	2 HAIRPIN
4..	532 195185....	2 ARM, DECK SUSPENSION	30..	539 107630....	4 SCREW ⁵ / ₁₆ -18 WASHER HD
5..	532 173902....	1 IDLER, V-GROOVE	31..	539 107631....	2 SCREW ¹ / ₄ -20 x ⁵ / ₈ THDROLL
6..	573 970402....	1 COVER, PULLEY	32..	539 990701....	1 BOLT ³ / ₈ -16 x 1 ³ / ₄ WHIZLK
7..	532 400140....	1 KEEPER, BELT	33..	539 113621....	2 BOLT ³ / ₈ -16 x ³ / ₈ SKT HD
8..	529 311701....	2 KEEPER, BELT	34..	539 110025....	1 BOLT ³ / ₈ -16 x 1 ¹ / ₂ THD FRM
9..	525 851801....	1 GUIDE, BELT	35..	539 108461....	1 BOLT ¹ / ₄ -20 x ¹ / ₂ HWST
10..	574 172804....	1 ARM, IDLER	36..	532 193003....	1 BOLT/WASHER
11..	529 311801....	1 ARM, LT BRAKE	37..	539 990588....	1 HCS ³ / ₈ -16 x 2
12..	539 114789....	1 SWIVEL	38..	525 848601....	1 RHSNB ³ / ₈ -16 x 4
13..	539 112050....	1 BEARING, BALL	39..	539 990799....	2 RHSNB ⁵ / ₁₆ -18 x ⁵ / ₈
14..	532 192557....	1 BRACKET, DEFLECTOR	40..	539 109332....	1 NUT ³ / ₈ -16 HEX JAM
15..	532 195740....	1 LINK, SUSPENSION	41..	573 975201....	1 NUT ⁷ / ₁₆ -20 HEX NYLOC
16..	532 199092....	1 SPACER RETAINER	42..	539 107590....	1 NUT ⁹ / ₁₆ TOP CNTRLK
17..	525 848801....	1 SPACER 2 ¹ / ₄	43..	539 112899....	2 NUT ⁵ / ₁₆ -18 FLANGE NYLOC
18..	532 401872....	1 SPRING, RETURN	44..	521 996501....	5 NUT ³ / ₈ -16 FLANGE NYLOC
19..	539 107609....	1 SPRING, TORSION	45..	539 990122....	1 WASHER ³ / ₈ FLAT SAE
20..	539 112057....	1 MANDREL	46..	539 107520....	1 WASHER/SPACER
21..	532 199791....	1 PULLEY, MANDREL	47..	539 109562....	1 WASHER ³ / ₈ x ³ / ₄
22..	532 175820....	1 PULLEY, IDLER	48..	539 990250....	1 WASHER ¹ / ₂ SAE
23..	539 110311....	1 PULLEY, DECK IDLER	49..	539 106504....	1 WASHER 1 ³ / ₄ x ¹ / ₄ HEAVY
24..	532 417344....	1 CHUTE, DISCHARGE	50..	539 990517....	2 WASHER ³ / ₈ FLAT STD
25..	539 110736....	1 PIN, CLEVIS ⁵ / ₁₆	51..	539 104864....	2 WASHER ⁷ / ₁₆ FLAT
26..	532 416405....	1 COUPLING, QUICK DISC				

SEAT



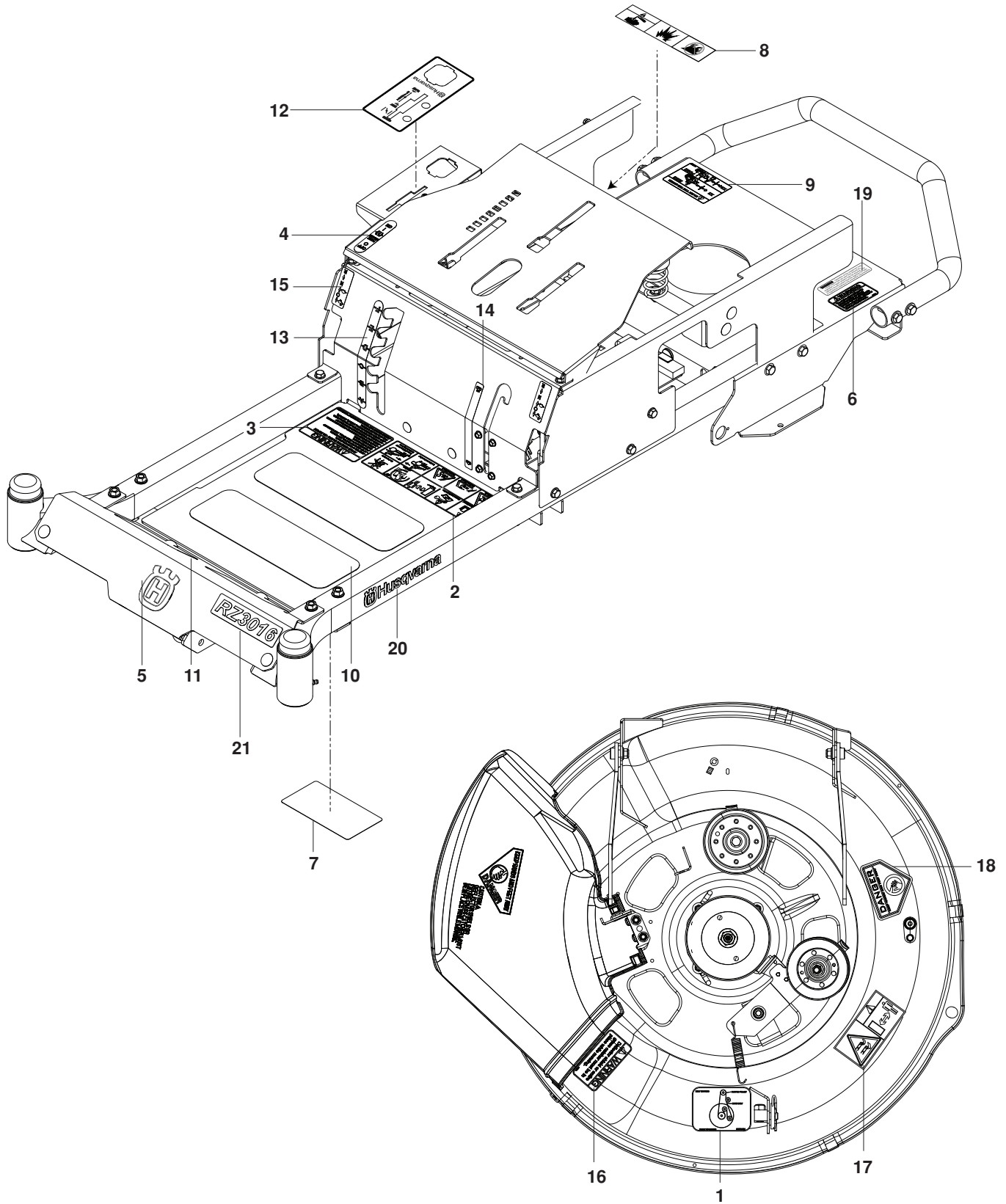
SEAT

ITEM	PART NO.	QTY.	DESCRIPTION
1..	522 598901....	1	SEAT
2..	525 580002....	1	PLATE, SEAT ORG
3..	532 197661....	1	HANDLE, SEAT SLIDE
4..	539 132140....	1	SWITCH, SEAT N/C
5..	532 198200....	1	SPRING, SEAT SLIDE

ITEM	PART NO.	QTY.	DESCRIPTION
6..	574 191002....	1	STOP, SEAT BLK
7..	539 110303....	2	BOLT $\frac{5}{16}$ -SHOULDER
8..	539 108503....	3	HCS $\frac{3}{8}$ -16 x $\frac{5}{8}$
9..	539 112899....	2	NUT $\frac{5}{16}$ -18 FLANGE NYLOC

DECALS

966612301, 966612302

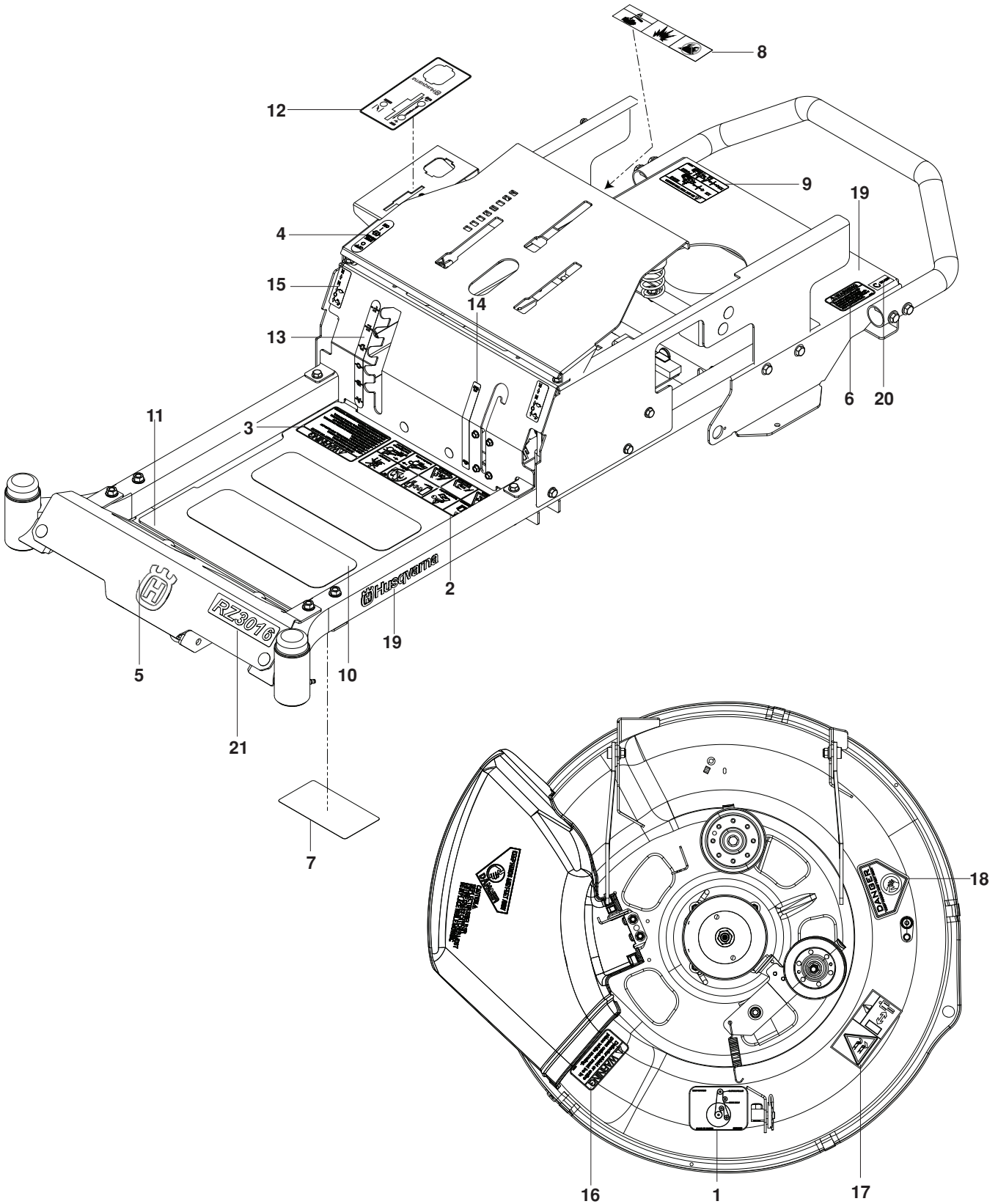


DECALS

ITEM	PART NO.	QTY.	DESCRIPTION	ITEM	PART NO.	QTY.	DESCRIPTION
1..	525 798501....	1 DECAL, BELT ROUTING	13..	525 814201....	1 DECAL, DECK HEIGHT
2..	539 109908....	1 DECAL, SAFETY WARNING	14..	525 814301....	1 DECAL, BLADE ENGAGE
3..	539 113213....	1 DECAL, WARNINGS	15..	539 103333....	2 DECAL, MOTION CONTROL
4..	539 120006....	1 DECAL, PARK BRAKE	16..	539 113224....	1 DECAL, DEFLECT CAUTION
5..	532 428676....	1 DECAL, CROWN	17..	539 105746....	1 DECAL, SEVERING
6..	539 101881....	1 DECAL, EXHAUST WARN	18..	539 913010....	1 DECAL, BLADE WARN
7..	539 109897....	1 DECAL, SERVICE	19..	532 424102....	1 DECAL, SPARK ARRESTOR 966612302
8..	539 105745....	1 DECAL, BATTERY WARNING	20..	532 429196....	2 DECAL, HUSQVARNA
9..	539 108385....	1 DECAL, DO NOT TOW	21..	525 803301....	1 DECAL, RZ3016
10..	539 977778....	2 PAD, ABRASIVE		525 803304....	1 DECAL, RZ3019
11..	539 121322....	2 PAD, FOOT				
12..	574 754301....	1 DECAL, CONTROL PANEL				

DECALS

966582101



DECALS

ITEM	PART NO.	QTY.	DESCRIPTION	ITEM	PART NO.	QTY.	DESCRIPTION
1..	525 798501....	1DECAL, BELT ROUTING	12..	574 754302....	1DECAL, CONTROL PANEL
2..	539 109908....	1DECAL, SAFETY WARNING	13..	525 814201....	1DECAL, DECK HEIGHT
3..	539 113213....	1DECAL, WARNINGS	14..	525 814301....	1DECAL, BLADE ENGAGE
4..	539 120006....	1DECAL, PARK BRAKE	15..	539 103333....	2DECAL, MOTION CONTROL
5..	532 428676....	1DECAL, CROWN	16..	539 113224....	1DECAL, DEFLECT CAUTION
6..	539 101881....	1DECAL, EXHAUST WARN	17..	539 105746....	1DECAL, SEVERING
7..	539 109897....	1DECAL, SERVICE	18..	539 913010....	1DECAL, BLADE WARN
8..	539 105745....	1DECAL, BATTERY WARNING	19..	532 429196....	2DECAL, HUSQVARNA
9..	539 108385....	1DECAL, DO NOT TOW	20..	539 110279....	1DECAL, ECM
10..	539 977778....	2PAD, ABRASIVE	21..	525 803301....	1DECAL, RZ3016
11..	539 121322....	2PAD, FOOT				

