

Gasoline containing up to 10% ethanol (E10) is acceptable for use in this machine. The use of any gasoline exceeding 10% ethanol (E10) will void the product warranty.

Parts Manual **RZ4221 BF / 967176101**



Please read the operator's manual carefully and make sure you understand the instructions before using the machine.

When you need spare parts or support in service questions, warranty issues, etc., please consult the following professional:

This manual belongs to the machine with the manufacturing number:	Engine	Transmission

Manufacturing Number

The machine's manufacturing number can be found on the printed plate affixed to the engine compartment.

Stated on the plate, from the top are:

- The machine's type designation (I.D.).
- The manufacturer's type number (Model).
- The machine's serial number (Serial no.)

Please have the type designation and serial number available when ordering spare parts.

The engine's manufacturing number is stamped on one of the valve covers.

The plate states:

- The engine's model.
- The engine's type.
- Code

Please have these available when ordering spare parts.

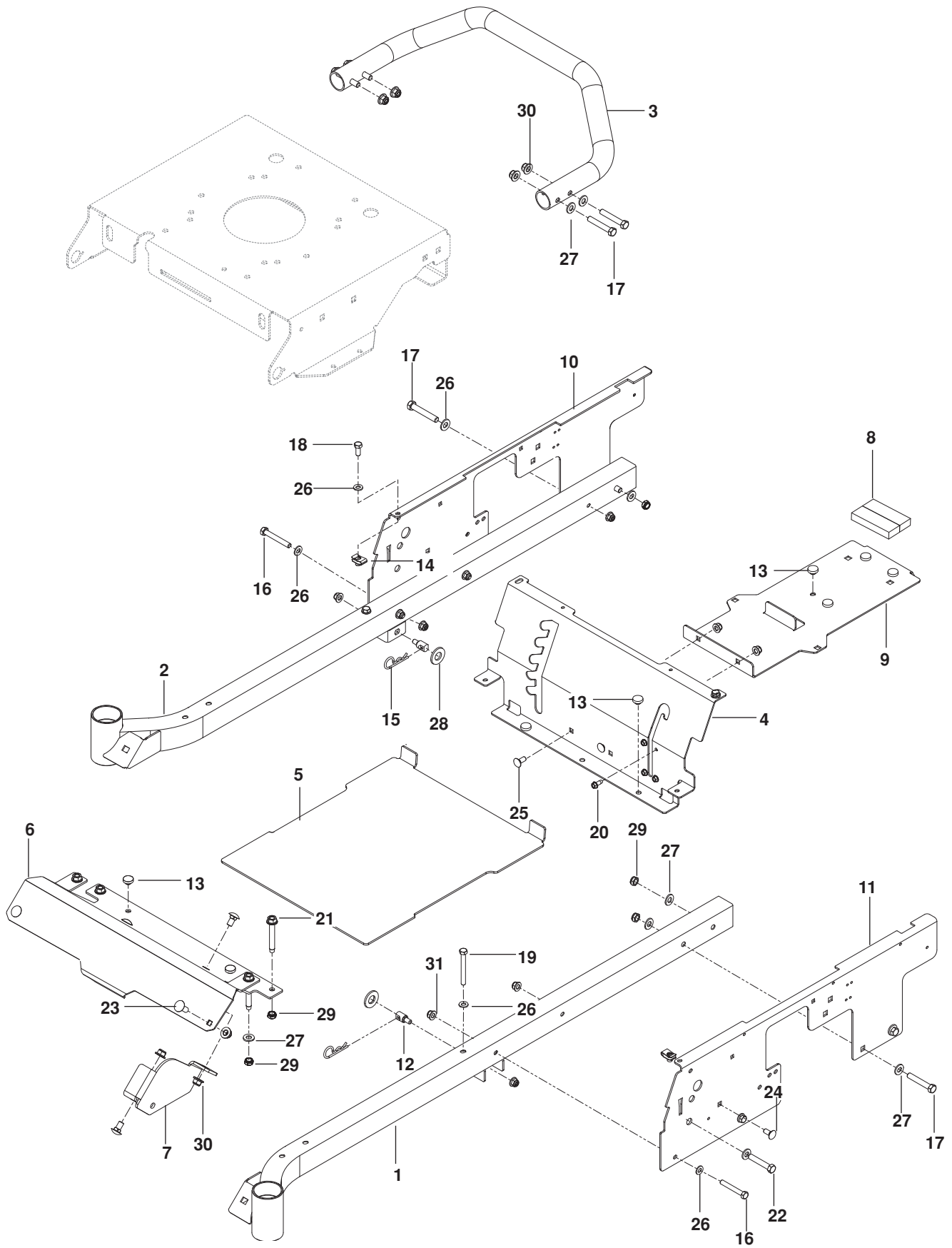
The wheel motors and hydrostatic pumps have a barcode decal affixed at the rear.

CONTENTS

FRAME.....	4
ENGINE PLATE.....	6
STEERING	8
IGNITION SYSTEM.....	10
HYDRAULIC PUMP / MOTOR	12
WHEELS / TIRES	14
BRAKE / DECK LIFT	16
MOWER DECK / CUTTING DECK.....	18
SEAT	20
DECALS.....	22

NOTE: ALL FASTENERS ARE GRADE 5 UNLESS OTHERWISE SPECIFIED.

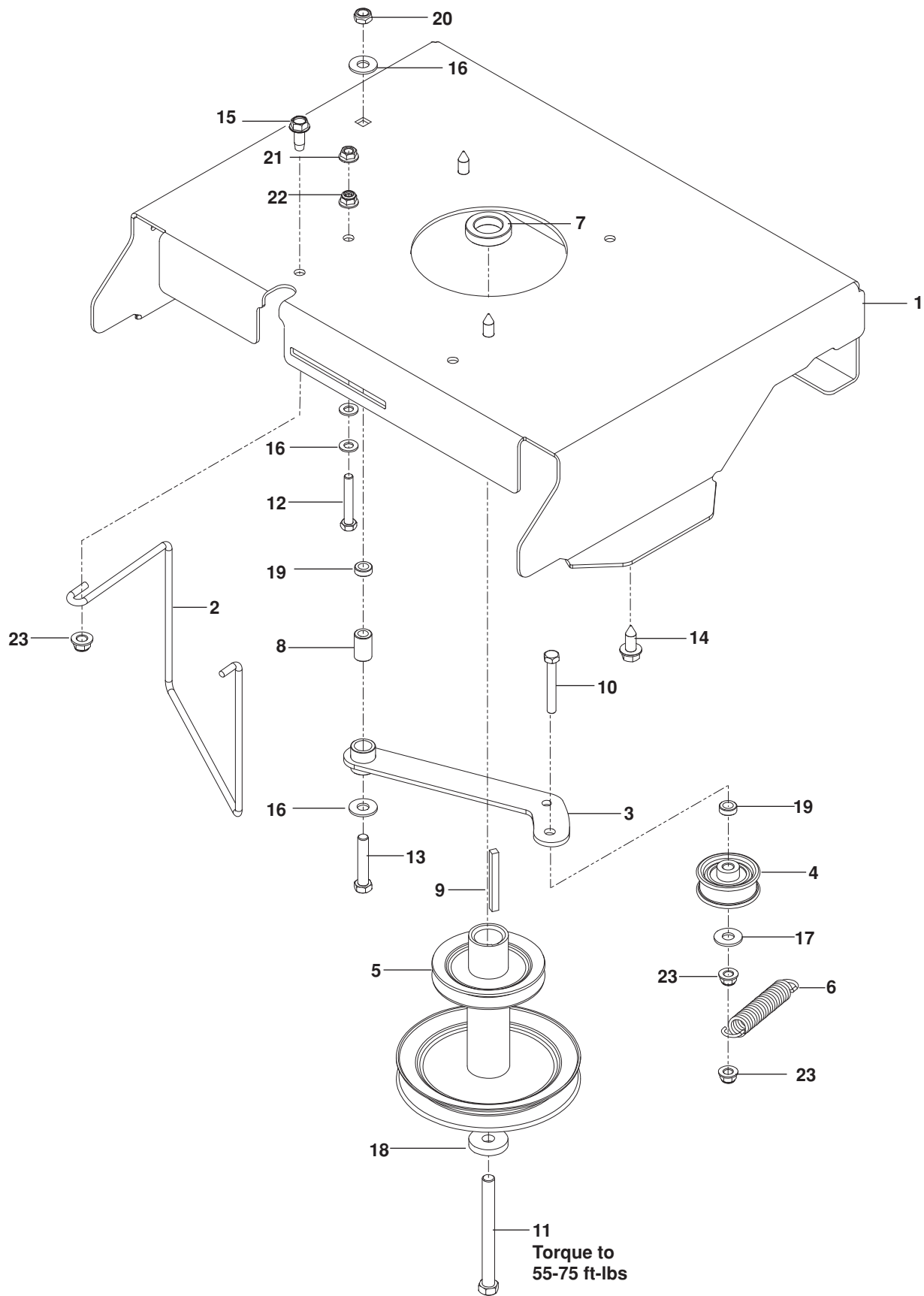
FRAME



FRAME

ITEM	PART NO.	QTY.	DESCRIPTION	ITEM	PART NO.	QTY.	DESCRIPTION
1..	525 454702....	1....	FRAME TUBE, LT ORG	17..	539 990629....	8....	HCS $\frac{3}{8}$ -16 x $2\frac{1}{4}$
2..	525 454902....	1....	FRAME TUBE, RT ORG	18..	539 976934....	2....	HCS $\frac{5}{16}$ -18 x $\frac{3}{4}$
3..	574 354702....	1....	BAR, IMPACT ORG	19..	539 101721....	2....	HCS $\frac{5}{16}$ -18 x $2\frac{3}{4}$
4..	575 661302....	1....	PANEL, SEAT SUPPORT ORG	20..	539 990362....	4....	SCREW $\frac{1}{4}$ -20 x $\frac{5}{8}$ SLF TAP
5..	576 414602....	1....	FOOT PLATE w/DECALS ORG	21..	539 111976....	4....	BOLT $\frac{3}{8}$ -16 x $2\frac{5}{8}$ THD FRM
6..	574 356002....	1....	FOOT REST ORG	22..	539 101332....	2....	HCS $\frac{1}{2}$ -13 x $2\frac{3}{4}$
7..	525 605502....	1....	BRACKET, FRONT DECK BLK	23..	539 990645....	2....	RHSNB $\frac{3}{8}$ -16 x 1
8..	539 110290....	2....	FOAM STRIP	24..	539 111785....	2....	RHSNB $\frac{3}{8}$ -16 x $\frac{3}{4}$
9..	525 798402....	1....	SUPPORT, TANK BLK	25..	539 990316....	2....	RHSNB $\frac{5}{16}$ -18 x $\frac{3}{4}$
10..	575 328402....	1....	PLATE, RH ORG	26..	539 990188..	10....	WASHER $\frac{5}{16}$ SAE FLT
11..	575 328302....	1....	PLATE, LH ORG	27..	539 990122..	17....	WASHER $\frac{3}{8}$ SAE FLT
12..	532 195161....	2....	STUD w/ ANTI-ROTATE	28..	539 976982....	2....	WASHER $\frac{5}{8}$ SAE FLT
13..	539 102587....	8....	GROMMET, BUMPER	29..	539 200282....	8....	NUT $\frac{3}{8}$ -16 HEX JAM NYLOC
14..	539 104763....	4....	RETAINER, U TYPE	30..	521 996501....	7....	NUT $\frac{3}{8}$ -16 HEX FLG NYLOC
15..	539 976989....	2....	HAIRPIN	31..	539 112899..	12....	NUT $\frac{5}{16}$ -18 HEX FLG NYLOC
16..	539 976938....	4....	HCS $\frac{5}{16}$ -18 x $2\frac{1}{4}$				

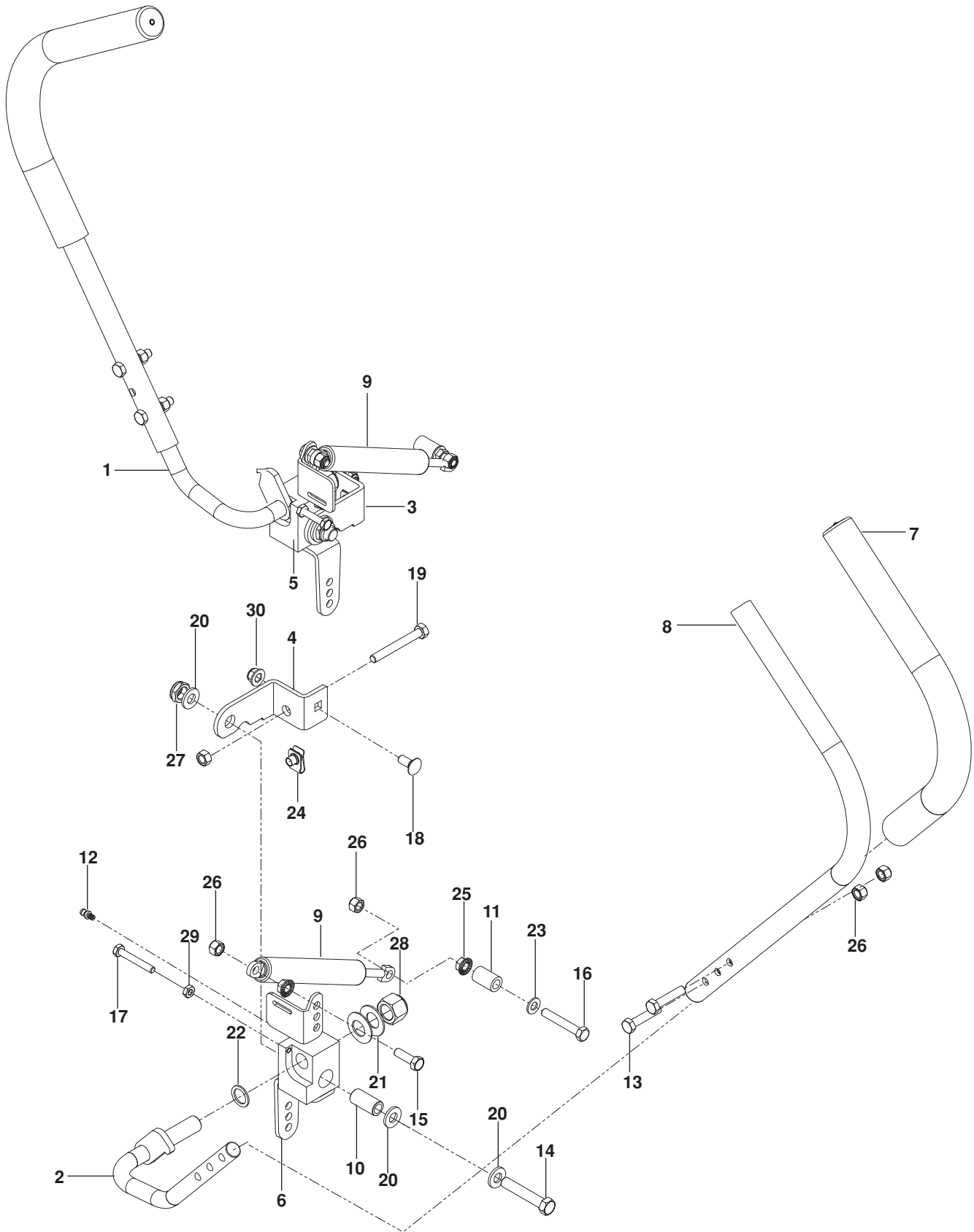
ENGINE PLATE



ENGINE PLATE

ITEM	PART NO.	QTY.	DESCRIPTION	ITEM	PART NO.	QTY.	DESCRIPTION
1..	578 156302....	1....	PLATE, ENGINE ORG	13..	539 990588....	1....	HCS $\frac{3}{8}$ -16 x 2
2..	575 952201....	1....	GUIDE, BELT	14..	532 120616....	3....	HHFS $\frac{3}{8}$ -16 x 1 THD FRM
3..	574 497504....	1....	ARM, IDLER	15..	539 107476....	1....	BOLT $\frac{3}{8}$ -16 x 1 THD FRM
4..	539 120812....	1....	PULLEY, IDLER	16..	539 990188....	2....	WASHER $\frac{5}{16}$ SAE FLT
5..	574 382001 ...	1....	PULLEY, ENGINE	17..	539 990517....	3....	WASHER $\frac{3}{8}$ FLT STD
6..	539 116350....	1....	SPRING 3 $\frac{1}{2}$	18..	539 115546....	1....	WASHER
7..	539 114387....	1....	SPACER	19..	539 109562....	2....	WASHER $\frac{3}{8}$ x $\frac{3}{4}$ SPEC
8..	539 115270....	1....	BUSHING, METAL	20..	539 200282....	1....	NUT $\frac{3}{8}$ -16 HEX JAM NYLOC
9..	539 917033....	1....	KEY $\frac{1}{4}$ SQ x 2 $\frac{1}{2}$ LG	21..	539 990585....	1....	NUT $\frac{5}{16}$ -18 HEX WHIZLK
10..	539 101350....	1....	HCS $\frac{3}{8}$ -16 x 3	22..	539 112899....	2....	NUT $\frac{5}{16}$ -18 HEX FLANGE NYL
11..	574 882801....	1....	HCS $\frac{7}{16}$ -20 x 4	23..	521 996501....	3....	NUT $\frac{3}{8}$ -16 HEX FLANGE NYL
12..	539 976937....	1....	HCS $\frac{5}{16}$ -18 x 2				

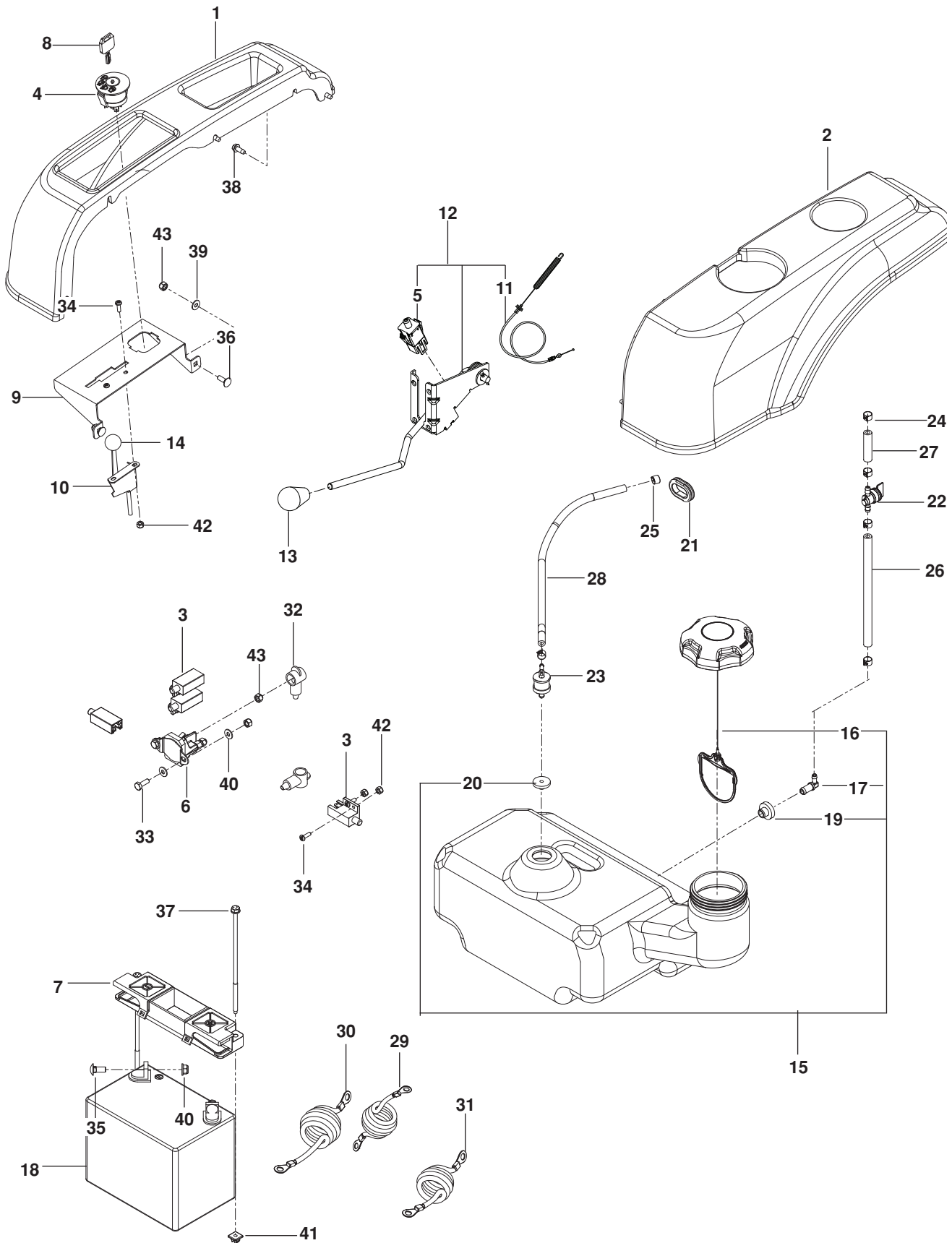
STEERING



STEERING

ITEM	PART NO.	QTY.	DESCRIPTION	ITEM	PART NO.	QTY.	DESCRIPTION
1..	539 120159....	1....	LOWER LEVER, RH	16..	539 976937....	2....	HCS $\frac{5}{16}$ -18 x 2
2..	539 120162....	1....	LOWER LEVER, LH	17..	539 991003....	2....	HCS $\frac{1}{4}$ -20 x $1\frac{3}{4}$
3..	539 117949....	1....	SUPPORT, STEER CNTRL RH	18..	539 990316....	2....	RHSNB $\frac{5}{16}$ -18 x $\frac{3}{4}$
4..	539 117950....	1....	SUPPORT, STEER CNTRL LH	19..	539 108396....	2....	HCS $\frac{5}{16}$ -18 x $2\frac{1}{2}$ TPBLT
5..	539 120984....	1....	PIVOT, RH	20..	539 990250....	6....	WASHER $\frac{1}{2}$ SAE
6..	539 120983....	1....	PIVOT, LH	21..	539 911121....	4....	WASHER $\frac{5}{8}$ BELLEVILLE
7..	539 120899....	2....	GRIP	22..	539 115570....	2....	WASHER, SPECIAL
8..	539 120160....	2....	LEVER, UPPER BLK	23..	539 990188....	2....	WASHER $\frac{5}{16}$ SAE FLT
9..	539 114453....	2....	DAMPENER	24..	539 990196....	2....	NUT $\frac{5}{16}$ -18 HEX
10..	539 120956....	2....	BUSHING $\frac{1}{2}$ ID x $\frac{3}{4}$ OD	25..	539 990585....	2....	NUT $\frac{5}{16}$ -18 HEX WHIZLK
11..	539 119087....	2....	BUSHING	26..	539 990717....	6....	NUT $\frac{5}{16}$ -18 HEX NYLOC
12..	539 115638....	2....	ZERK	27..	539 108010....	2....	NUT $\frac{1}{2}$ -13 JAM NYLOC GR 2
13..	539 976935....	4....	HCS $\frac{5}{16}$ -18 x $1\frac{1}{2}$	28..	539 110340....	2....	NUT $\frac{5}{8}$ -11 NYLOC
14..	539 101332....	2....	HCS $\frac{1}{2}$ -13 x $2\frac{3}{4}$	29..	539 991112....	2....	NUT $\frac{1}{4}$ -20 JAM
15..	539 990209....	2....	HCS $\frac{5}{16}$ -18 x 1	30..	539 112899....	2....	NUT $\frac{5}{16}$ -18 HEX FLG NYLOC

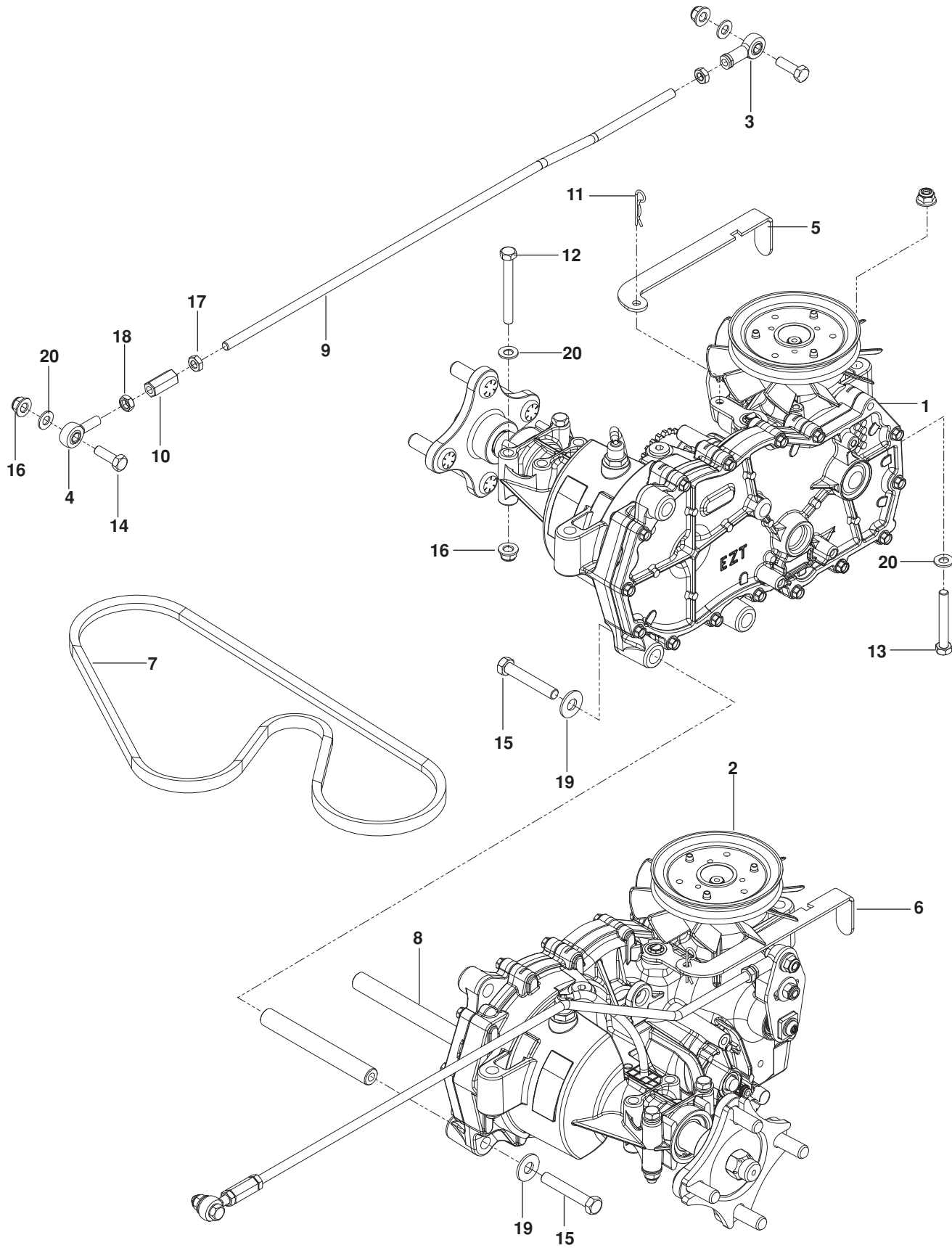
IGNITION SYSTEM



IGNITION SYSTEM

ITEM	PART NO.	QTY.	DESCRIPTION	ITEM	PART NO.	QTY.	DESCRIPTION
1..	525 594701....	1....	FENDER, RT	25..	575 436501....	2....	CLAMP, HOSE
2..	525 594702....	1....	FENDER, LT	26..	539 115736....	1....	HOSE ¼ x 8
3..	532 109553....	4....	SWITCH	27..	539 121486....	1....	HOSE ¼ x 2
4..	539 107541....	1....	SWITCH, IGNITION	28..	574 521305....	1....	HOSE, FUEL, ³/₁₆" x 20"
5..	532 176138....	1....	SWITCH, INTERLOCK	29..	539 104974....	1....	CABLE, POSITIVE 31"
6..	539 101714....	1....	SOLENOID	30..	539 103306....	1....	CABLE, POSITIVE 19"
7..	539 107628....	1....	HOLD DOWN, BATTERY	31..	539 110068....	1....	CABLE, NEGATIVE 25"
8..	532 140401....	1....	KEY, IGNITION	32..	532 131563....	3....	TERMINAL COVER, SM
9..	525 598601....	1....	PANEL, CONTROL	33..	539 990580....	2....	HCS ¼-20 x ¾
10..	522 730101....	1....	CABLE, THROTTLE	34..	539 976952....	8....	SCREW #10-24 x ⁵/₈
11..	532 193235....	1....	CABLE, CLUTCH	35..	539 990316....	2....	RHSNB ⁵/₁₆-18 x ¾
12..	575 661501....	1....	CLUTCH ASSY w/ CABLE	36..	539 990074....	2....	RHSNB ¼-20 x ¾ GR 2
13..	539 132624....	1....	KNOB, CLUTCH	37..	539 107632....	2....	BOLT ¼ x 7½
14..	539 133049....	1....	KNOB, THROTTLE	38..	539 990362....	9....	SCREW ¼-20 x ⁵/₈ SLF TAP
15..	576 646403....	1....	TANK ASSY, FUEL	39..	539 990055....	4....	WASHER ¼ FLT SAE
16..	575 018101....	1....	CAP, FUEL w/ TETHER	40..	539 112899....	2....	NUT ⁵/₁₆-18 HEX FLG NYLOC
17..	539 110432....	1....	ELBOW	41..	539 107629....	2....	NUT ¼ PUSH NYLON
18..	539 102436....	1....	BATTERY	42..	539 976977....	8....	NUT #10-24 HEX NYLOC
19..	539 105245....	1....	GROMMET, RUBBER	43..	539 976978....	4....	NUT ¼-20 HEX NYLOC
20..	576 618201....	1....	GROMMET, CHECK VALVE	NOT SHOWN			
21..	539 105974....	1....	GROMMET, RUBBER	574 658201 ...	1....	WIRING HARNESS	
22..	539 916325....	1....	VALVE, FUEL	505 280001 ...	2....	WIRE TIE w/ CLIP	
23..	576 618101....	1....	VALVE, FUEL CHECK				
24..	539 912222....	4....	CLAMP, HOSE				

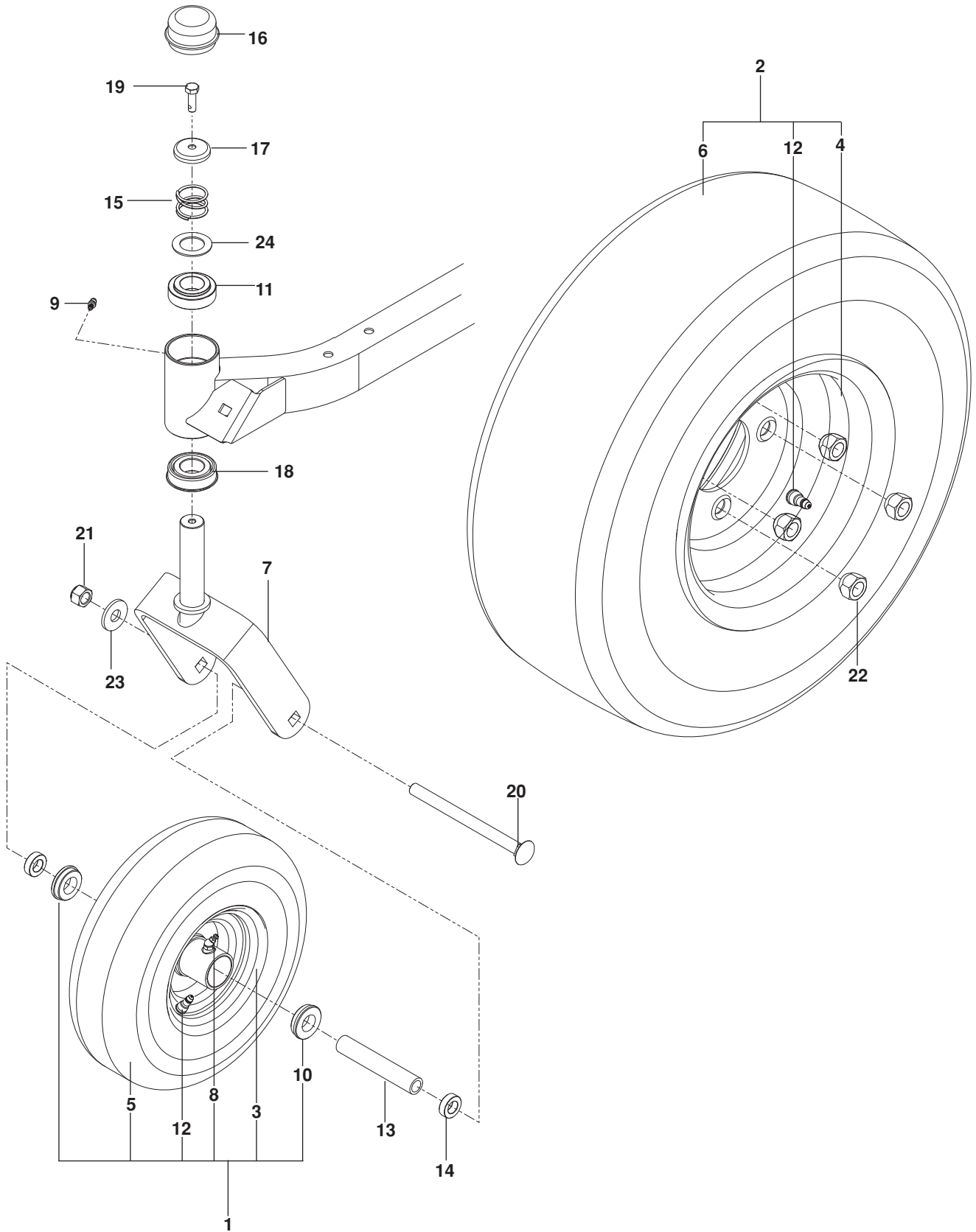
HYDRAULIC PUMP / MOTOR



HYDRAULIC PUMP / MOTOR

ITEM	PART NO.	QTY.	DESCRIPTION	ITEM	PART NO.	QTY.	DESCRIPTION
1..	539 120152....	1....	HYDRO, RT	11..	539 976988....	2....	HAIRPIN COTTER
2..	539 120153....	1....	HYDRO, LT	12..	539 101721....	4....	HCS $\frac{5}{16}$ -18 x $2\frac{3}{4}$
3..	539 115729....	2....	ROD END, RT	13..	539 976938....	2....	HCS $\frac{5}{16}$ -18 x $2\frac{1}{4}$
4..	539 116690....	2....	ROD END, MALE LT	14..	539 990209....	4....	HCS $\frac{5}{16}$ -18 x 1
5..	539 120157....	1....	RELEASE HANDLE, RT	15..	539 990629....	4....	HCS $\frac{3}{8}$ -16 x $2\frac{1}{4}$
6..	539 120156....	1....	RELEASE HANDLE, LT	16..	539 112899..	10....	NUT $\frac{5}{16}$ -18 HEX FLANGE NYL
7..	575 852401....	1....	BELT, EZT	17..	539 115502....	4....	NUT $\frac{5}{16}$ -24 HEX JAM
8..	574 356501....	2....	SPACER, HYDRO	18..	539 991073....	2....	NUT $\frac{5}{16}$ -24 HEX JAM LT
9..	539 120169....	2....	ROD, CONTROL	19..	539 990517....	4....	WASHER $\frac{3}{8}$ STD FLT
10..	539 116689....	2....	ROD END COUPLER	20..	539 990188..	10....	WASHER $\frac{5}{16}$ SAE FLT

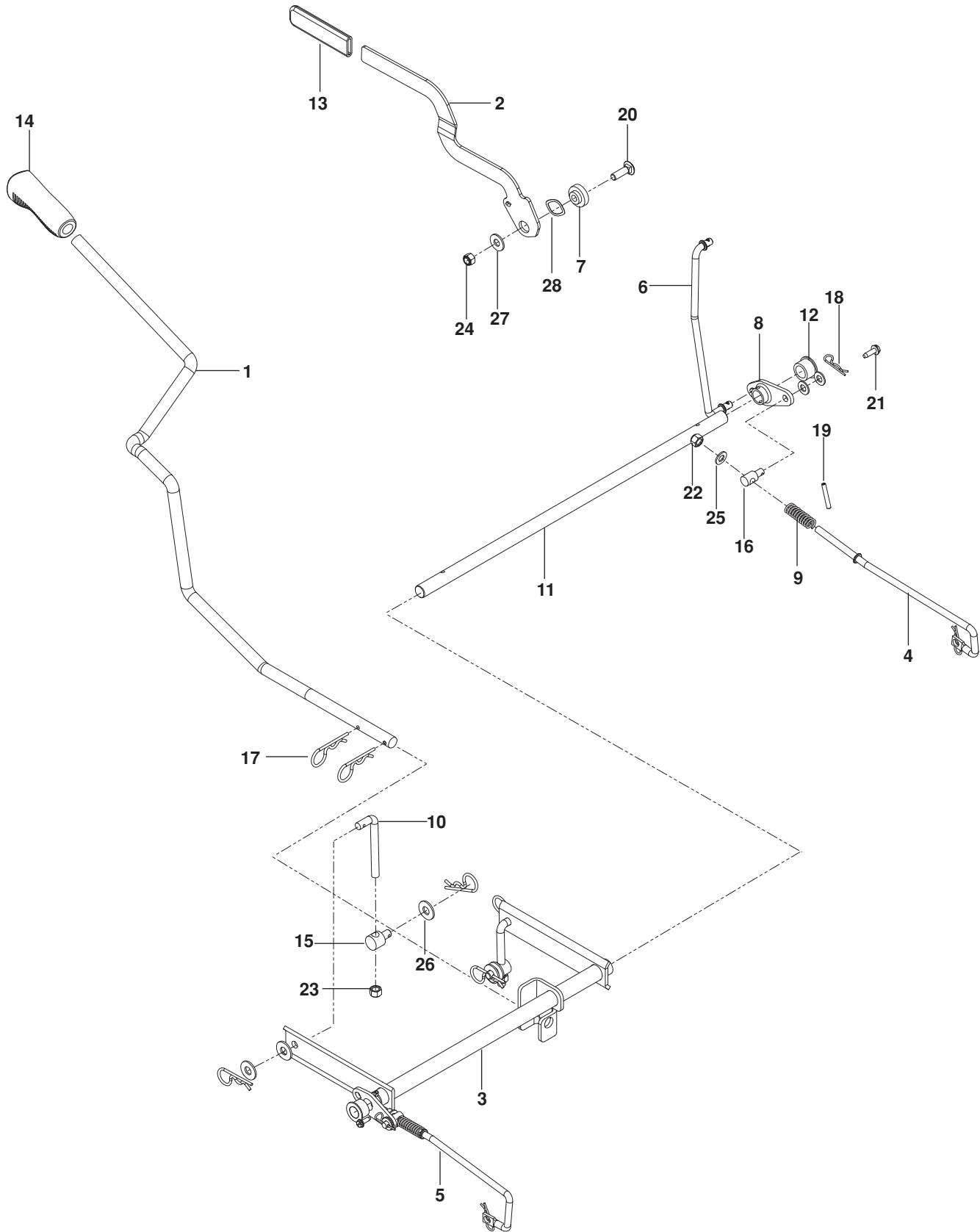
WHEELS / TIRES



WHEELS / TIRES

ITEM	PART NO.	QTY.	DESCRIPTION	ITEM	PART NO.	QTY.	DESCRIPTION
1..	516 001901....	2....	CASTER TIRE ASSY	13..	539 105543....	2....	SPACER
2..	574 383701....	2....	WHEEL ASSY REAR	14..	539 114805....	4....	SPACER ⁵ / ₁₆
3..	539 106994....	2....	RIM, CASTER	15..	539 115747....	2....	SPRING, CASTER
4..	574 383601....	2....	RIM, 5.375 x 8	16..	539 102535....	2....	CAP, GREASE
5..	539 114697....	2....	TIRE 410-5 4 PLY	17..	539 115749....	2....	PLUG, CASTER
6..	539 117555....	2....	TIRE 18 x 7.5 x 8 4 PLY	18..	539 112660....	2....	BEARING, FLANGED
7..	510 186501....	2....	YOKE, CASTER	19..	539 115566....	2....	HHB ⁵ / ₁₆ -18 x 1 NYLOC
8..	539 103300....	2....	ZERK	20..	539 121159....	2....	RHSNB 1/2-13 x 6 1/2
9..	539 115638....	2....	ZERK	21..	539 200100....	2....	NUT 1/2 HEX CNTRLK
10..	576 617801....	4....	BUSHING, WHEEL	22..	539 101173....	8....	NUT 1/2 LUG
11..	539 117901....	2....	BUSHING, CASTER	23..	539 109554....	2....	WASHER 1/2 FLT
12..	539 912234....	4....	VALVE	24..	539 115675....	2....	WASHER

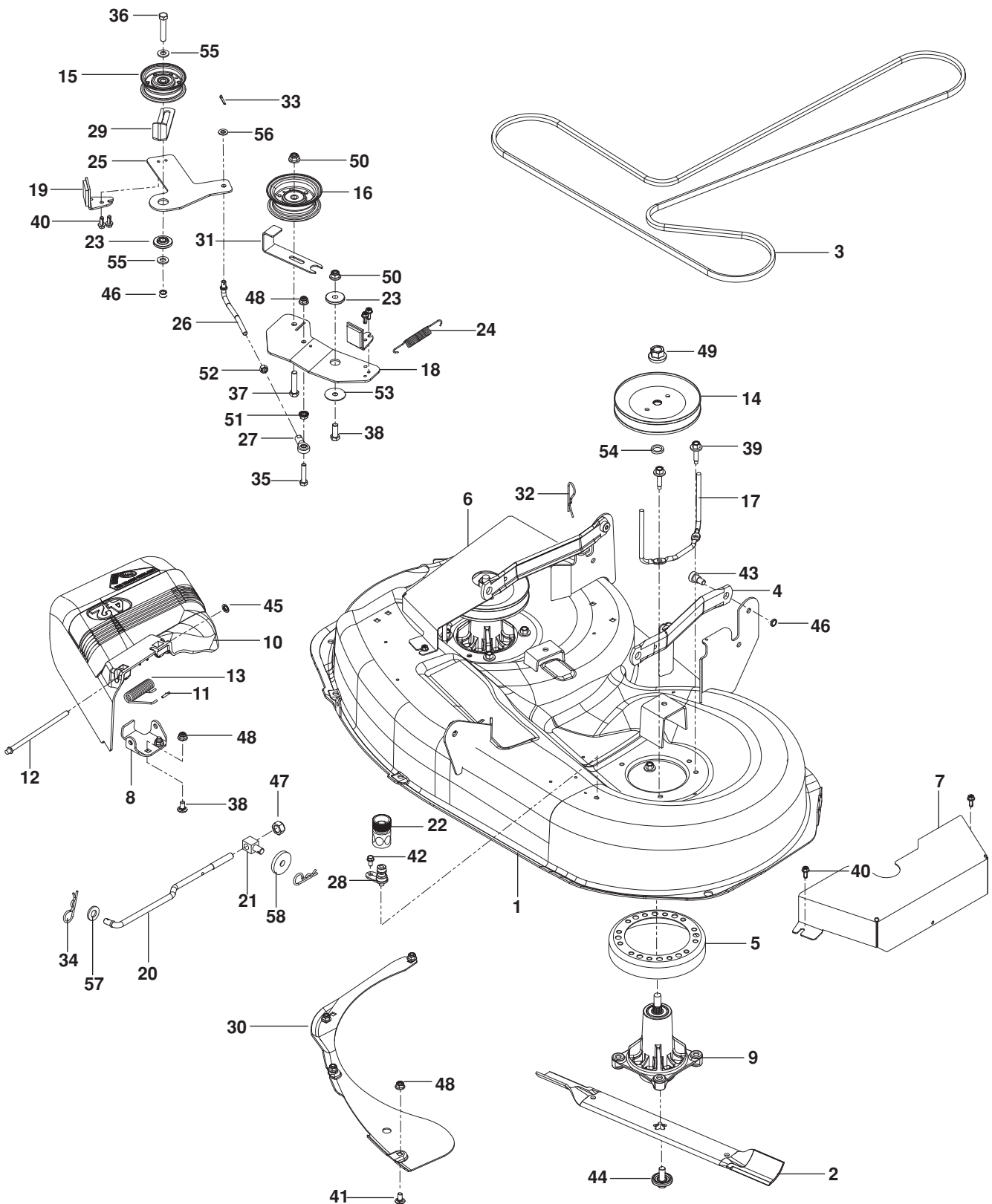
BRAKE / DECK LIFT



BRAKE / DECK LIFT

ITEM	PART NO.	QTY.	DESCRIPTION	ITEM	PART NO.	QTY.	DESCRIPTION
1..	525 580402....	1....	ARM, LIFT BLK	15..	539 118179....	2....	SWIVEL
2..	525 485602....	1....	HANDLE, BRAKE BLK	16..	539 112308....	2....	SWIVEL, BRAKE
3..	574 356802....	1....	SHAFT, LIFT BLK	17..	539 976989....	6....	HAIRPIN
4..	525 583601....	1....	LINKAGE, BRAKE RT	18..	539 976988....	4....	HAIRPIN COTTER
5..	525 583701....	1....	LINKAGE, BRAKE LT	19..	539 101082....	2....	ROLL PIN 3/16"
6..	525 735701....	1....	LINKAGE, UPPER	20..	539 100413....	1....	RHSNB 3/8-16 x 1 1/4
7..	539 120220....	1....	PIVOT, BRAKE ARM	21..	539 991034....	2....	SCREW 10-24 x 5/8" WSH HD
8..	525 580201....	2....	BELLCRANK, BRAKE	22..	539 990717....	2....	NUT 5/16-18 HEX NYLOC
9..	539 101224....	2....	SPRING	23..	539 976979....	3....	NUT 3/8-16 HEX NYLOC
10..	539 115247....	2....	L-ROD 3 1/8"	24..	539 200282....	1....	NUT 3/8-16 HEX JAM NYLOC
11..	574 356601....	1....	ROD, BRAKE	25..	539 990188....	6....	WASHER 5/16 SAE FLAT
12..	539 109368....	2....	BUSHING, PLASTIC	26..	539 990517....	7....	WASHER 3/8 FLAT STD
13..	539 120921....	1....	GRIP, BRAKE HANDLE	27..	539 102843....	1....	WASHER 7/16 SPRING DISK
14..	532 196492....	1....	GRIP, LIFT HANDLE	28..	539 133007....	1....	WASHER, .825 WAVE

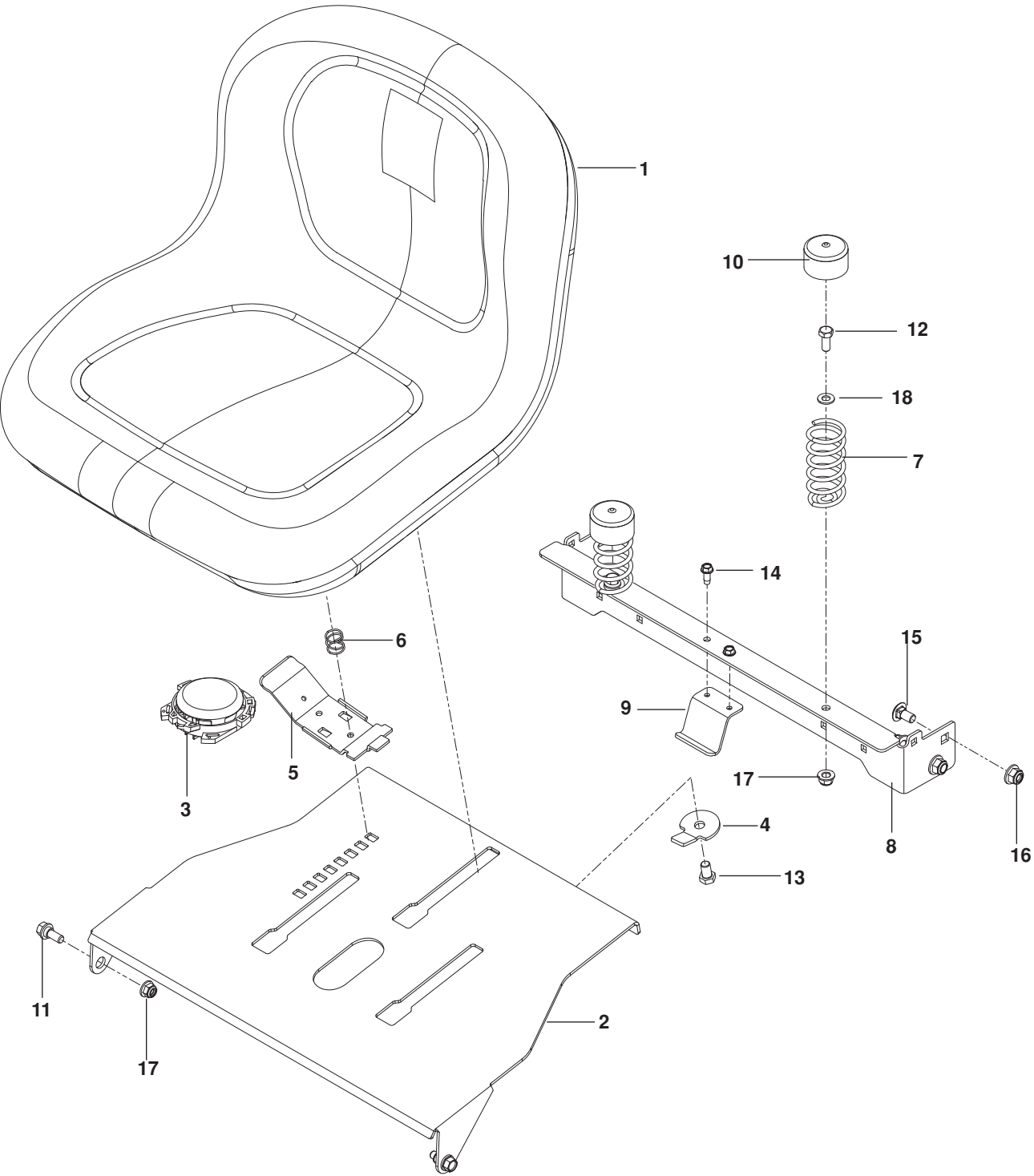
MOWER DECK / CUTTING DECK



MOWER DECK / CUTTING DECK

ITEM	PART NO.	QTY.	DESCRIPTION	ITEM	PART NO.	QTY.	DESCRIPTION
1..	575 699801....	1....	DECK w/ SAFETY DECALS	30..	539 110463....	1....	BAFFLE, DECK
2..	532 134149....	2....	BLADE 42"	31..	577 209101....	1....	KEEPER, BELT
3..	574 173003....	1....	BELT	32..	532 165898....	1....	RETAINER
4..	532 195185....	2....	SUSPENSION ARM, REAR	33..	539 990365....	1....	HAIR PIN
5..	539 107518....	2....	STRIPPER, ROUND	34..	539 976989....	2....	HAIRPIN#4
6..	575 754602....	1....	BELT SHIELD, RT	35..	539 976935....	1....	HCS ⁵ / ₁₆ -18 x 1½
7..	575 754502....	1....	BELT SHIELD, LT	36..	539 990588....	1....	HCS ³ / ₈ -16 x 2
8..	532 192557....	1....	BRACKET, DEFLECTOR	37..	539 990730....	1....	HCS ³ / ₈ -16 x 1¾
9..	532 192870....	2....	MANDREL	38..	539 990563....	1....	HCS ³ / ₈ -16 x 1
10..	532 193108....	1....	SHIELD, DEFLECTOR	39..	539 107630....	8....	SCREW ⁵ / ₁₆ -18 WSH HD
11..	539 107627....	1....	CAP, SLEEVE	40..	539 107631....	8....	SCREW ¼-20 x ⁵ / ₈
12..	539 110462....	1....	ROD, HINGE	41..	539 990799....	8....	RHSNB ⁵ / ₁₆ -18 x ⁵ / ₈
13..	539 110328....	1....	SPRING, TORSION	42..	539 990134....	1....	BOLT 10-24 x ⁵ / ₈ WSH HD
14..	532 195945....	2....	PULLEY, MANDREL	43..	539 113621....	2....	BOLT ³ / ₈ -16 x ³ / ₈ SKT HD
15..	539 919078....	1....	PULLEY, IDLER	44..	532 193003....	2....	BOLT, WASHER
16..	532 177968....	1....	PULLEY, IDLER	45..	539 110452....	1....	PUSHNUT
17..	532 400140....	2....	KEEPER, PULLEY	46..	539 200282....	3....	NUT ³ / ₈ -16 HEX JAM NYLOC
18..	574 694502....	1....	ARM, IDLER	47..	573 975201....	1....	NUT ⁷ / ₁₆ -20 HEX NYLOC
19..	529 311801....	2....	ARM, LT BRAKE	48..	539 112899....	9....	NUT ⁵ / ₁₆ -18 HEX FLANGE NYL
20..	532 195740....	1....	LINK, SUSPENSION	49..	539 107590....	2....	NUT ⁹ / ₁₆ TOP CNTRLK
21..	539 114789....	1....	SWIVEL	50..	521 996501....	2....	NUT ³ / ₈ -16 HEX FLANGE NYL
22..	532 416405....	1....	COUPLING, CONNECT	51..	539 990585....	1....	NUT ⁵ / ₁₆ -18 HEX WHIZLK
23..	532 199092....	2....	SPACER RETAINER	52..	539 990196....	1....	NUT ⁵ / ₁₆ -18 HEX
24..	532 401872....	1....	SPRING, RETURN	53..	539 102998....	1....	WASHER, FRICTION
25..	574 693302....	1....	ARM, BRAKE	54..	539 107520....	2....	WASHER, SPACER
26..	574 694601....	1....	LINKAGE, DECK BRAKE	55..	539 990122....	2....	WASHER ³ / ₈ SAE FLT
27..	539 102590....	1....	BALL END, RT	56..	539 990188....	1....	WASHER ⁵ / ₁₆ SAE FLT
28..	532 415598....	1....	PORT, WASHOUT	57..	539 990250....	1....	WASHER, SAE
29..	525 851801....	1....	GUIDE, BELT	58..	539 106504....	1....	WASHER, HEAVY

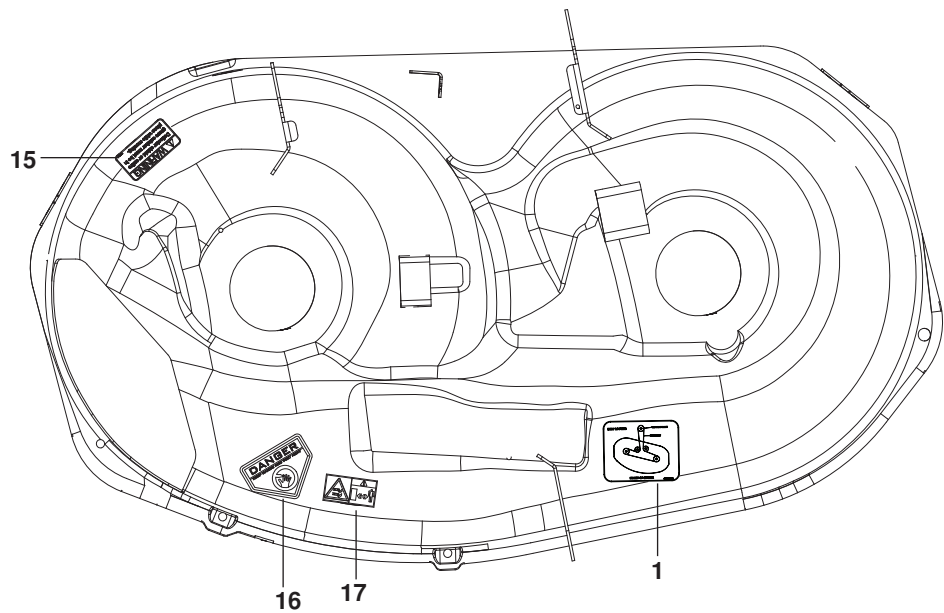
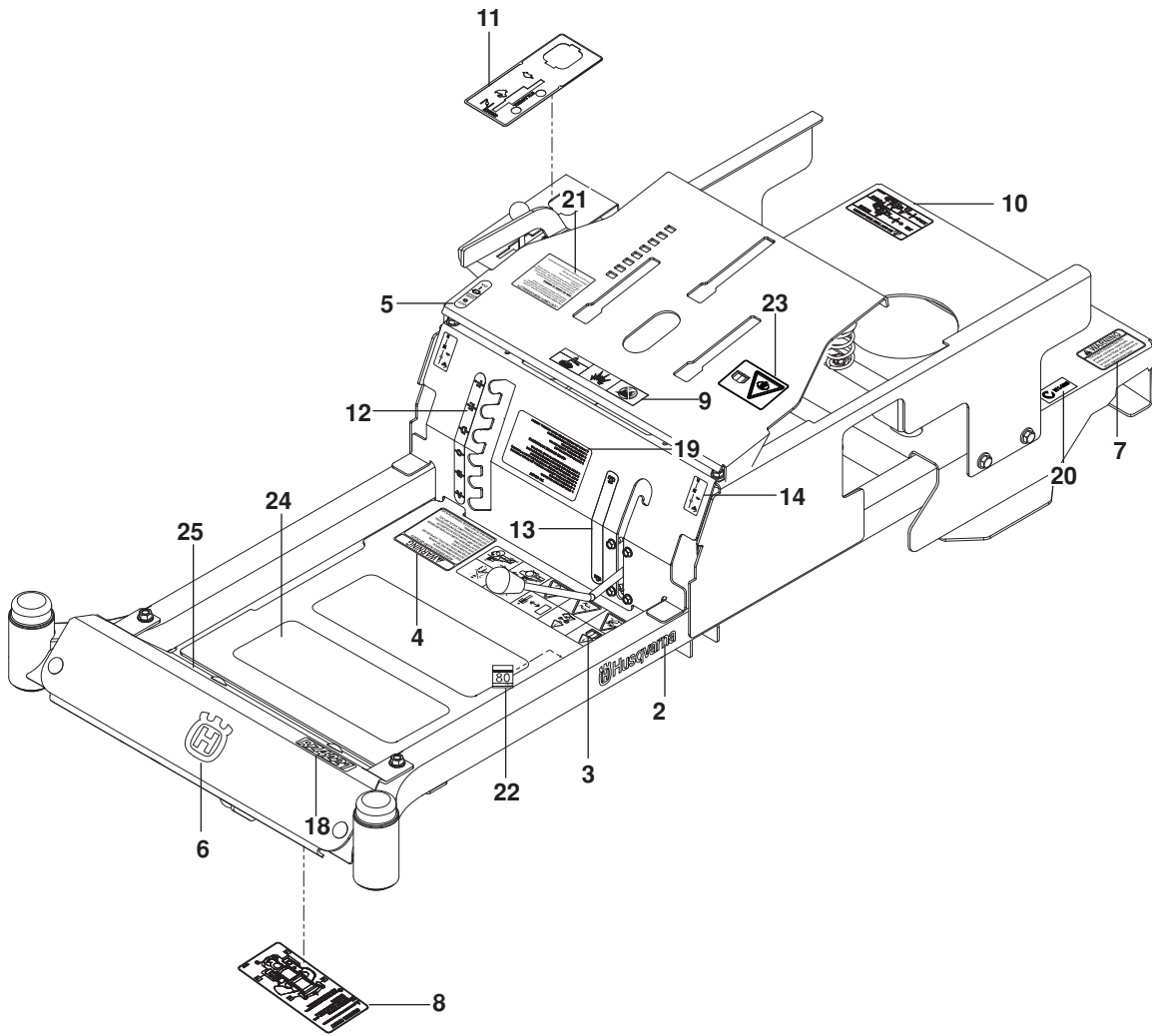
SEAT



SEAT

ITEM	PART NO.	QTY.	DESCRIPTION	ITEM	PART NO.	QTY.	DESCRIPTION
1..	532 439822....	1....	SEAT	10..	539 119884....	2....	CAP, SPRING
2..	574 356302....	1....	PLATE, SEAT ORG	11..	539 110303....	2....	BOLT ⁵ / ₁₆ -SHOULDER
3..	539 132140....	1....	SWITCH, SEAT N/C	12..	539 976934....	2....	HCS ⁵ / ₁₆ -18 x ³ / ₄
4..	574 191002....	1....	STOP, SEAT	13..	539 108503....	3....	HCS ³ / ₈ -16 x ⁵ / ₈
5..	532 197661....	1....	HANDLE, SEAT SLIDE	14..	539 990362....	2....	SCREW ¹ / ₄ -20 x ⁵ / ₈ SLF TAP
6..	532 198200....	1....	SPRING, SEAT SLIDE	15..	539 111785....	4....	RHSNB ³ / ₈ -16 x ³ / ₄
7..	539 122632....	2....	SPRING, SEAT	16..	521 996501....	4....	NUT ³ / ₈ -16 FLANGE NYLOC
8..	574 356402....	1....	SEAT SUPPORT, REAR ORG	17..	539 112899....	4....	NUT ⁵ / ₁₆ -18 HEX FLANGE NYL
9..	525 864502....	1....	BRACKET, FUEL TANK BLK	18..	539 990188....	2....	WASHER ⁵ / ₁₆ SAE FLT

DECALS



DECALS

ITEM	PART NO.	QTY.	DESCRIPTION	ITEM	PART NO.	QTY.	DESCRIPTION
1..	510 240201....	1....	DECAL, BELT ROUTING	14..	539 103333....	2....	DECAL, MOTION CONTROL
2..	532 429196....	2....	DECAL, HUSQVARNA	15..	539 113224....	1....	DECAL, DEFLECT WARNING
3..	539 109908....	1....	DECAL, SAFETY WARNING	16..	539 913010....	1....	DECAL, BLADE WARNING
4..	539 113213....	1....	DECAL, WARNINGS	17..	539 105746....	1....	DECAL, SEVERING
5..	539 120006....	1....	DECAL, PARK BRAKE	18..	580 941902....	1....	DECAL, RZ4221
6..	532 428676....	1....	DECAL, CROWN	19..	539 108179....	1....	DECAL, STARTING
7..	539 101881....	1....	DECAL, EXHAUST	20..	539 110279....	1....	DECAL, ECM
8..	539 109897....	1....	DECAL, SERVICE	21..	539 110522....	1....	DECAL, RESPONSIBILITY
9..	539 105745....	1....	DECAL, BATTERY WARNING	22..	532 124433....	1....	DECAL, DB80
10..	539 108385....	1....	DECAL, DO NOT TOW	23..	539 108386....	1....	DECAL, EXIT MOWER
11..	574 754301....	1....	DECAL, CONTROL PANEL	24..	539 977778....	2....	PAD, ABRASIVE
12..	525 814201....	1....	DECAL, DECK HEIGHT	25..	539 121322....	2....	PAD, FOOT REST
13..	525 814301....	1....	DECAL, BLADE ENGAGE				

