

580 39 21-27



Repair Parts Manual IPL Manual

YTH2042/250180

Please read the operator's manual carefully and make sure you understand the instructions before using the machine.

Por favor lea cuidadosamente y comprenda estas intrucciones antes de usar esta maquina.



English

HOW TO USE THIS MANUAL

This manual is designed to provide the customer with a means to identify the parts on his/her tractor when ordering repair parts. The illustrations may or may not represent the actual assemblies; therefore, it is not recommended to use this manual as a guide to assemble or disassemble the tractor. Some hardware and parts are drawn larger in order to more readily identify them.

Each tractor has its own model number.

The model number for your tractor can be found on the fender under the seat.

When ordering parts, always give the following information:

- Product - "TRACTOR"
- MODEL NUMBER - "YTH2042" (250180)"
- Part Number
- Part Description

TABLE OF CONTENTS

SCHEMATIC	3
ELECTRICAL.....	4-5
CHASSIS	6-7
DRIVE.....	8-9
ENGINE.....	10-11
STEERING	12-13
MOWER DECK.....	14-15
MOWER LIFT.....	16
SEAT	17
DECALS.....	18
ENGINE BREAKDOWN.....	19-23
TRANSAXLE.....	24

COMO UTILIZAR ESTE MANUAL

Este manual está diseñado para brindarle al comprador un medio para identificar las piezas del tractor para cuando necesite hacer el pedido de un repuesto. Las ilustraciones pueden o no representar los ensambles reales; por lo tanto, no se recomienda utilizar este manual como una guía para ensamblar o desarmar el tractor. Algunos accesorios y piezas están dibujados en tamaños más grandes para identificarlos con mayor facilidad.

Cada tractor tiene su propio número de modelo.

El número de modelo del tractor se encuentra en el guardabarros debajo del asiento.

Cuando haga el pedido de una pieza, siempre brinde la siguiente información:

- Producto: "TRACTOR"
- NÚMERO DE MODELO: "25018" (250180)"
- Número de pieza
- Descripción de la pieza

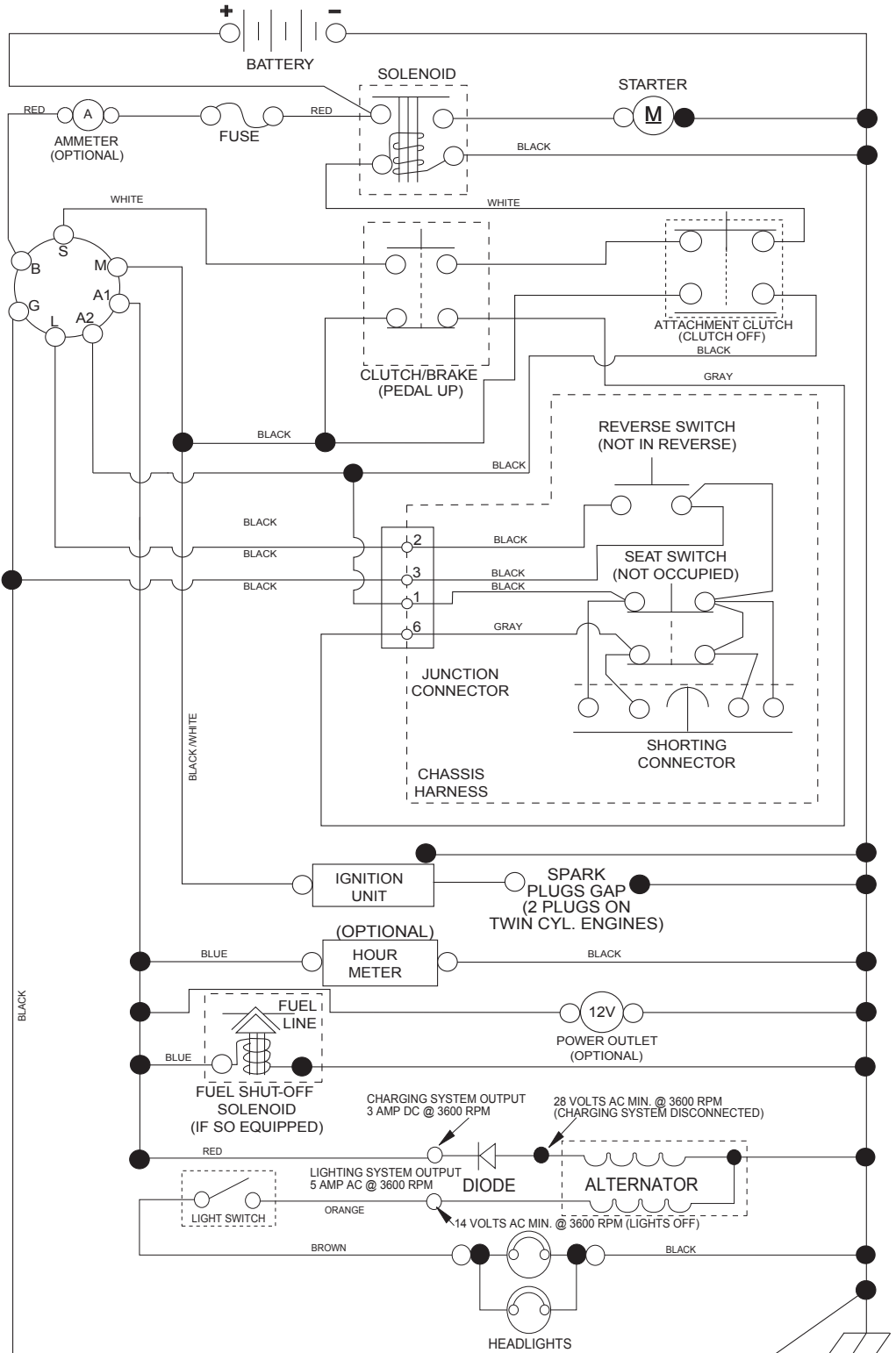
ÍNDICE

DIAGRAMA.....	25
DIAGRAMA ELÉCTRICO	26-27
CHASIS	28-29
TRANSMISIÓN	30-31
MOTOR	32-33
DIRECCIÓN	34-35
PLATAFORMA DE LA CORTADORA DE CÉSPED.....	36-37
ELEVACIÓN DE LA CORTADORA DE CÉSPED.....	38
ASIENTO.....	39
CALCOMANÍAS.....	40
MOTOR DESCOMPOSTURA.....	41-45
TRANSEJE DESCOMPOSTURA.....	46

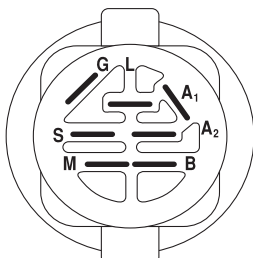
TRACTOR - - MODEL NO. YTH2042 (250180)

SCHEMATIC

SCH11

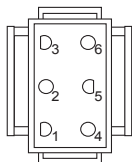


NOTE
YOUR TRACTOR IS EQUIPPED WITH A SPECIAL ALTERNATOR SYSTEM. THE LIGHTS ARE NOT CONNECTED TO THE BATTERY, BUT HAVE THEIR OWN ELECTRICAL SOURCE. BECAUSE OF THIS, THE BRIGHTNESS OF THE LIGHTS WILL CHANGE WITH ENGINE SPEED. AT IDLE THE LIGHTS WILL DIM. AS THE ENGINE IS SPEEDED UP, THE LIGHTS WILL BECOME THEIR BRIGHTEST.

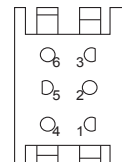


IGNITION SWITCH

POSITION	CIRCUIT "MAKE"
OFF	M+G+A1
RUN/OVERRIDE	B+A1
RUN	B+A1 L+A2
START	B + S + A1



CHASSIS HARNESS CONNECTOR (MATING SIDE)



DASH HARNESS CONNECTOR (MATING SIDE)

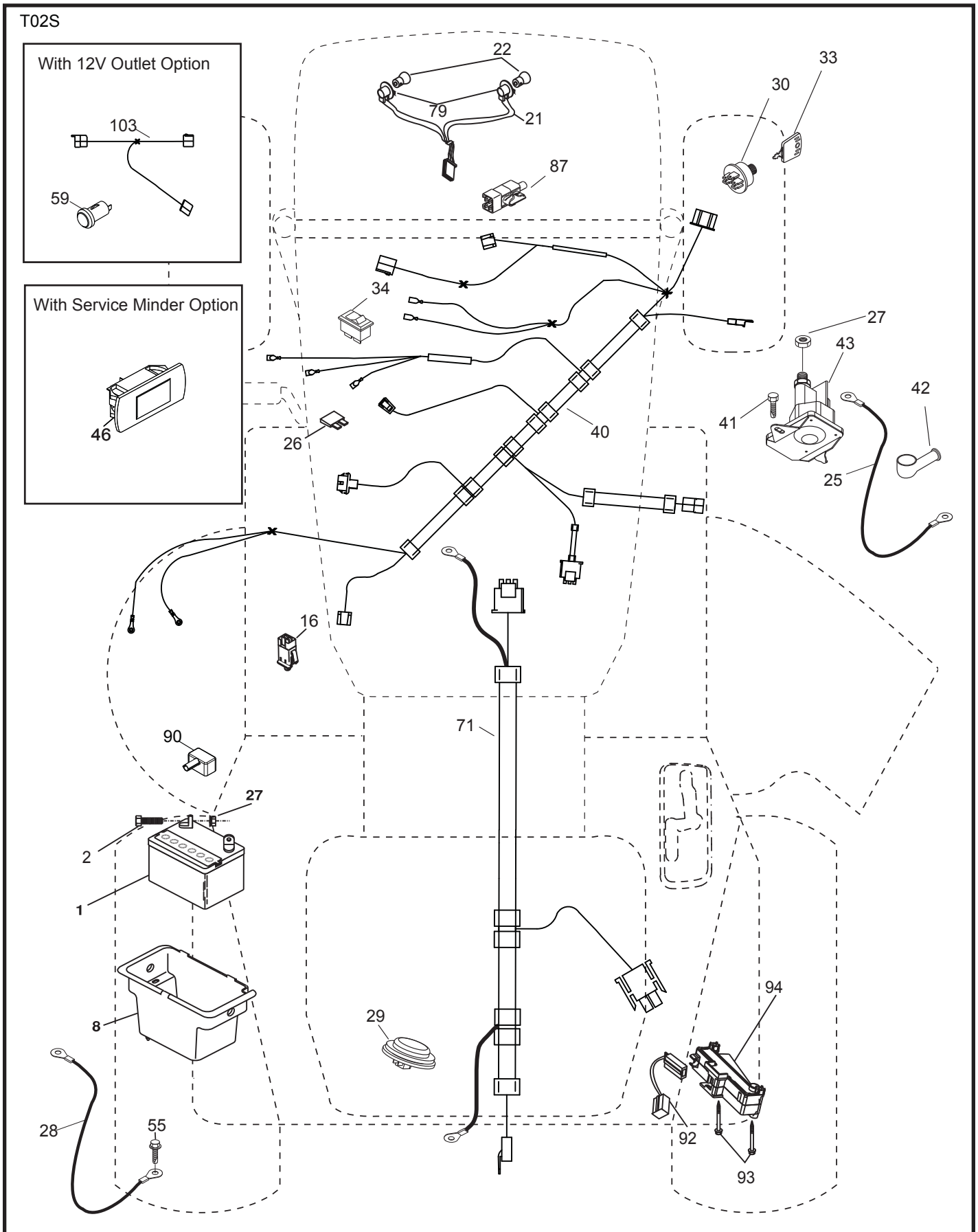
WIRING INSULATED CLIPS
NOTE: IF WIRING INSULATED CLIPS WERE REMOVED FOR SERVICING OF UNIT, THEY SHOULD BE RE-INSTALLED TO PROPERLY SECURE YOUR WIRING.

NON-REMOVABLE CONNECTIONS

REMOVABLE CONNECTIONS

TRACTOR -- MODEL NO. YTH2042 (250180)

ELECTRICAL



TRACTOR - - MODEL NO. YTH2042 (250180)

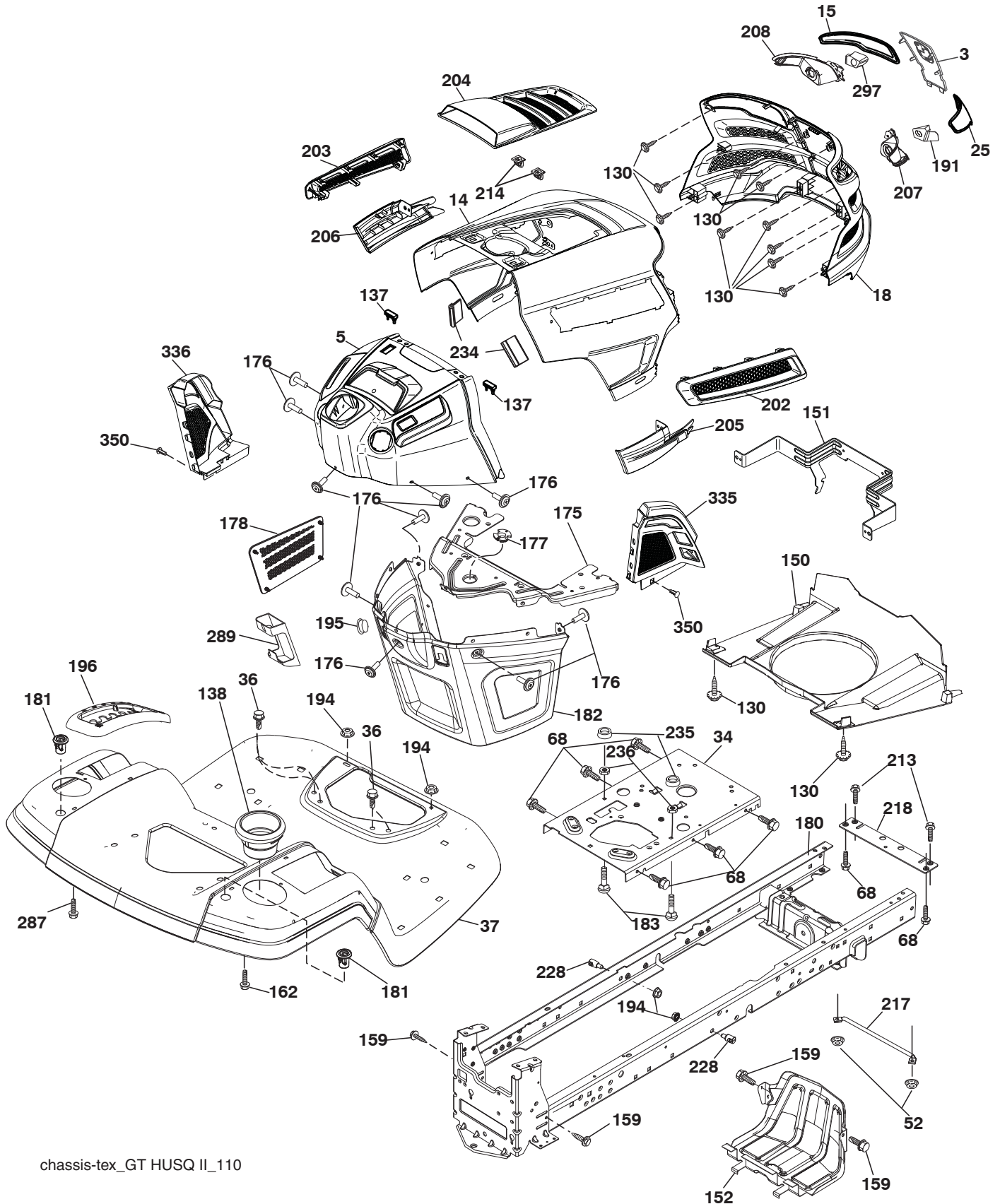
ELECTRICAL

KEY NO.	PART NO.	DESCRIPTION
1	532 16 34-65	Battery
2	874 76 04-12	Bolt Hex Head 1/4-20 x 3/4
8	532 19 32-28	Box Battery
16	532 17 61-38	Switch Interlock Push-In
21	532 40 02-52	Harness Socket Light w/4152J
22	532 00 41-52	Bulb Light
25	532 41 28-95	Cable Starter
26	532 17 51-58	Fuse
27	873 51 04-00	Nut Keps Hex 1/4-20 unc
28	532 19 88-85	Cable, Ground
29	532 40 15-45	Switch, Seat
30	532 19 33-50	Switch, Ign
33	532 41 19-33	Key/Chain
34	532 11 07-12	Switch Light/Reset
40	532 40 10-98	Harness Ign. Dash/Lift
41	817 72 04-08	Screw Thd Cut 1/4-20 x 1/2
42	532 13 15-63	Cover, Terminal
43	532 19 25-07	Solenoid
55	817 06 05-12	Screw Thdrol 5/16-18 x 3/4
71	532 40 04-49	Harness Ign. Chassis/Lift
79	532 17 52-42	Socket Asm Bulb Twistlock
87	532 19 78-02	Switch Interlock Clutch Cable
90	532 43 53-95	Cover, Terminal Battery
92	532 19 66-15	Harness Pigtail Reverse Switch
93	532 19 25-40	Screw Plastite 10-14 x 2.0
94	532 19 18-34	Module Reverse ROS

NOTE: All component dimensions given in U.S. inches
1 inch = 25.4 mm

TRACTOR -- MODEL NO. YTH2042 (250180)

CHASSIS



chassis-tex_GT HUSQ II_110

TRACTOR - - MODEL NO. YTH2042 (250180)

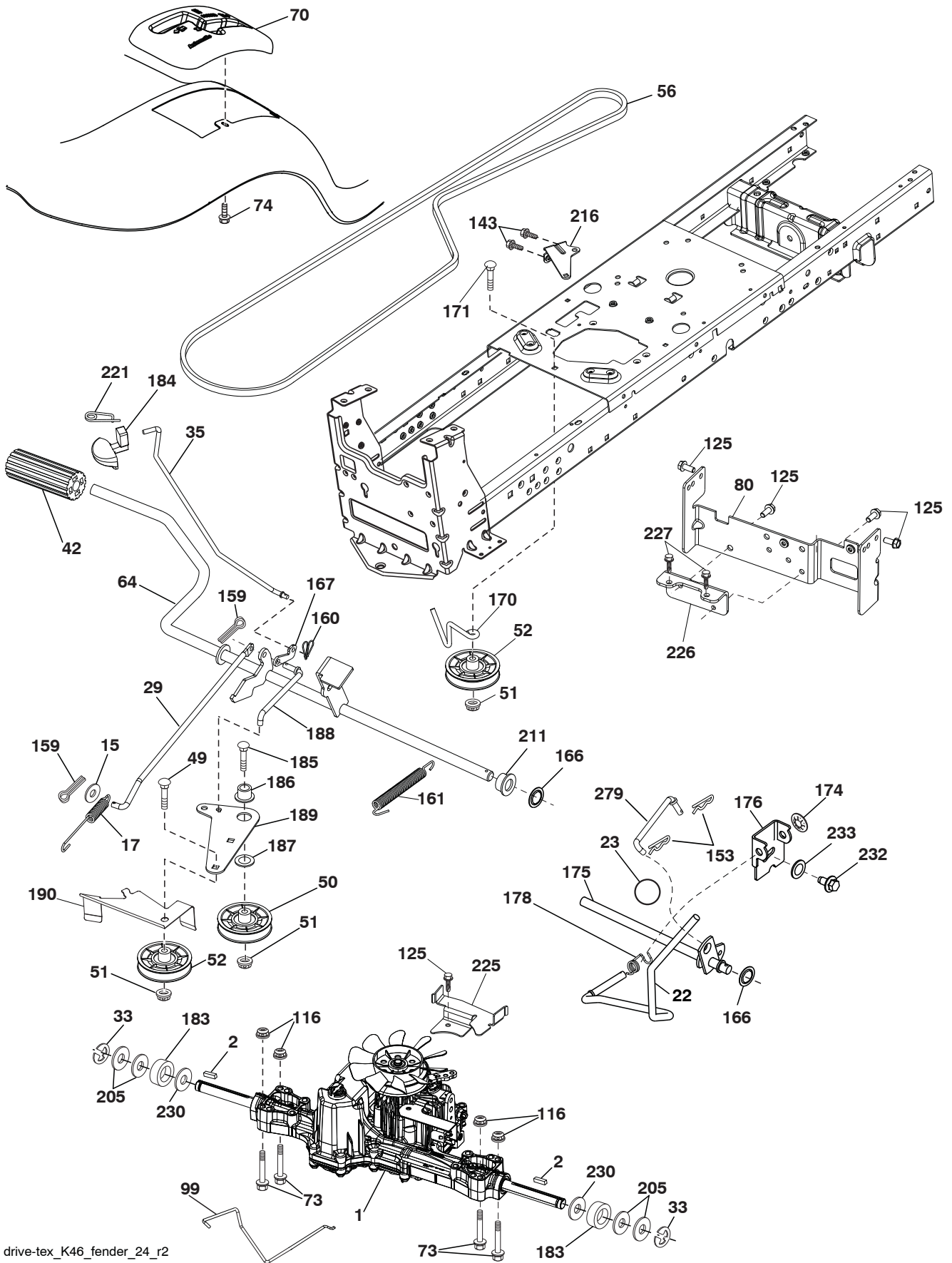
CHASSIS

KEY NO.	PART NO.	DESCRIPTION	KEY NO.	PART NO.	DESCRIPTION
3	532 43 97-52	Logo	196	532 43 96-47	Console Asm. Deck Lift
5	532 43 74-73	Dash	202	532 43 97-28	Vent Side Hood RH
14	532 44 11-77	Hood	203	532 43 97-27	Vent Side Hood LH
15	532 43 97-33	Lens LH	204	532 43 57-14	Vent Top Hood
18	532 43 77-62	Grille	205	532 43 97-30	Skirt Side RH
25	532 44 33-85	Lens RH	206	532 43 97-29	Skirt Side LH
34	532 44 72-53	Plate Engine	207	532 43 97-34	Bezel RH
36	817 06 05-12	Screw 5/16-18 x 3/4	208	532 43 97-35	Bezel LH
37	532 44 12-66	Fender	213	874 76 05-12	Bolt 5/16-18 x 3/4
52	873 68 05-00	Nut Crown Lock 5/16	214	532 19 91-45	Clip Retainer
68	817 49 05-08	Screw THDROL 5/16-18 x 1/2	217	532 40 91-67	Rod Pivot Hood
130	532 41 63-58	Screw #10 x 0.750 BOS Thread	218	532 19 63-95	X-Piece Hood Stop
137	532 40 75-90	Bumper Dash	228	532 19 51-61	Stud Fastener
138	532 43 97-47	Cupholder	234	532 40 47-42	Bumper Hood
150	532 43 99-21	Air Duct	235	532 40 61-29	Spacer Fender
151	532 43 66-70	Hood Pivot Bracket	236	873 93 05-00	Nut Lock 5/16-18 unc
152	532 43 98-70	Shield Browning	287	817 60 04-06	Screw Hex Washhead 1/4-20 x 3/8
159	817 00 06-12	Screw Hexwash Thor 3/8-16 x 3/4	289	532 40 35-71	Plug Cruise/Phone
162	532 14 24-32	Screw	297	532 43 74-56	Insert Reflective LH
175	532 19 63-04	Crossmember Plate	335	532 44 82-04	Cover Lower Dash RH
176	532 40 07-76	Screw 10-24 x 5/8	336	532 44 53-09	Cover Lower Dash LH
177	532 19 52-27	Bushing Steering	350	532 44 51-43	Clip X-Mas Tree
178	532 19 97-82	Cargo Net	--	532 43 99-76	Dash Plug Reminder
180	532 19 54-57	Chassis			
181	532 43 97-46	Bushing Mtg. Fender Crgo			
182	532 40 68-59	Dash Lower			
183	874 52 05-20	Bolt 5/16-18 x 1-1/4 Full Thd			
191	532 43 74-55	Insert Reflective RH			
194	873 90 05-00	Nut Lock Hex Flange 5/16-18			
195	532 40 41-37	Plug Dash			

NOTE: All component dimensions given in U.S. inches
1 inch = 25.4 mm

TRACTOR -- MODEL NO. YTH2042 (250180)

DRIVE



drive-tex_K46_fender_24_r2

TRACTOR - - MODEL NO. YTH2042 (250180)

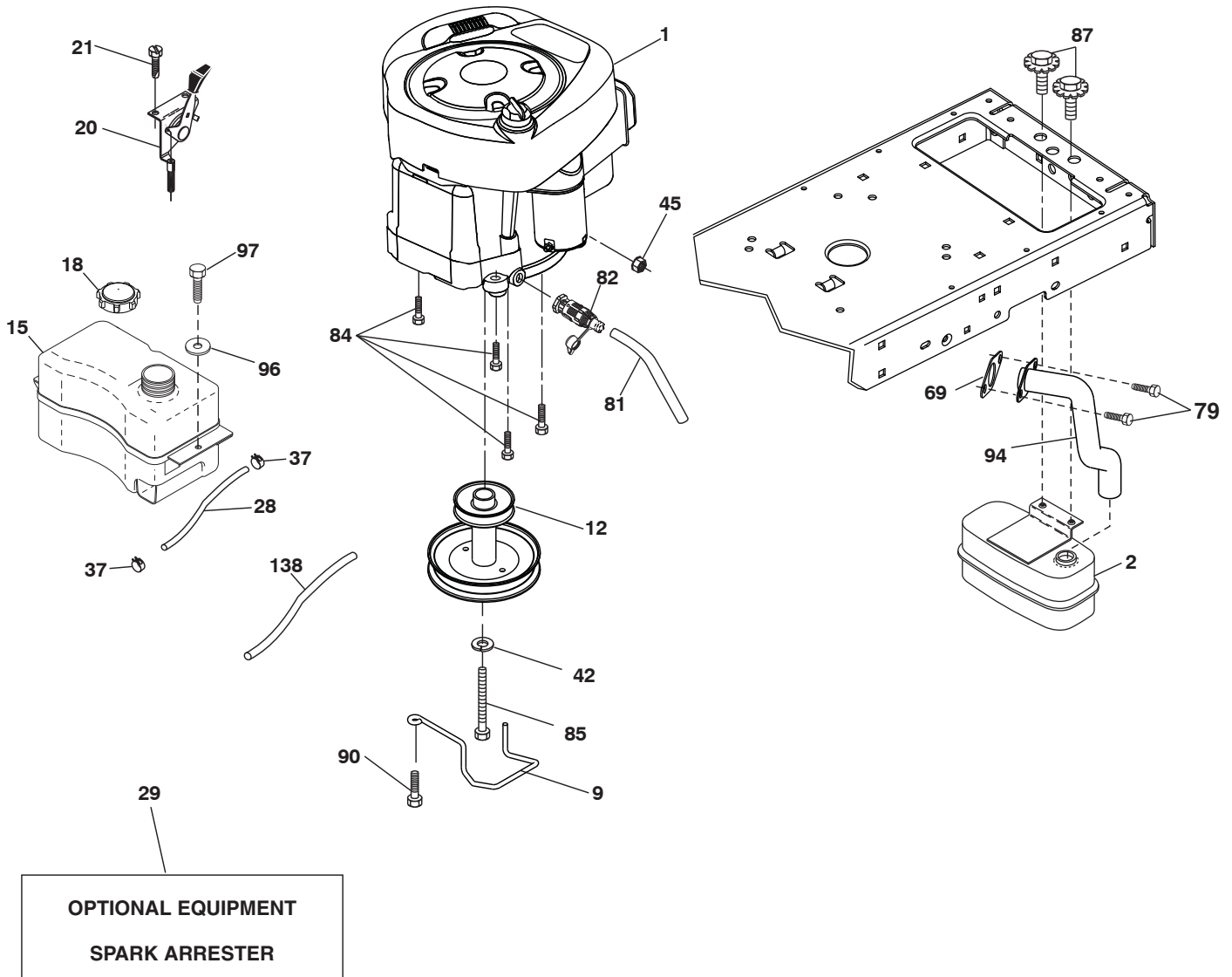
DRIVE

KEY NO.	PART NO.	DESCRIPTION	KEY NO.	PART NO.	DESCRIPTION
1	---	Transaxle, Tufftorq K46BA (408214) (Order parts from transaxle manufacturer.)	166	532 42 91-64	Nut Push .625
2	532 12 35-83	Key Square	167	532 40 52-57	Latch Brake Parking
15	819 13 13-16	Washer 13/32 x 13/16 x 16 Ga.	170	532 19 43-22	Keeper Belt Centerspan
17	532 41 36-78	Spring, Brake	171	872 11 06-16	Bolt 3/8 - 16 unc x 2
22	532 19 76-60	Rod Shift	174	532 19 72-89	Nut Push
23	532 14 08-45	Knob	175	532 40 62-08	Shaft Asm Shift
29	532 40 38-06	Rod, Brake	176	532 19 62-14	Arm Clevis Rod Shift
33	812 00 00-01	Ring E	178	532 19 74-56	Spring Shift
35	532 43 54-86	Rod, Brake, Park	183	532 13 70-57	Spacer Axle
42	532 12 48-72	Cover, Foot Pedal	184	532 44 14-55	Handle Parking Brake
49	872 11 06-14	Bolt	185	872 11 06-22	Bolt
50	532 19 43-27	Pulley Idler Flat	186	532 19 43-21	Spacer Retainer
51	873 90 06-00	Lock Nut 3/8-16	187	819 13 32-10	Washer
52	532 19 43-26	Idler V-Groove	188	532 19 43-23	Link Clutch Ground Drive
56	532 13 09-69	V-Belt, Drive	189	532 19 43-17	Bellcrank Ground Drive
64	532 19 62-00	Shaft Asm. Pedal Brake Control	190	532 19 43-18	Keeper Bellcrank Ground Drive
70	532 43 99-71	Console	205	532 12 17-48	Washer 25/32 x 1-5/8 x 16 Ga.
73	874 49 05-40	Bolt Hex 5/16-18 x 2 1/2 G 5	211	532 19 62-12	Bushing Shaft
74	532 14 24-32	Screw 1/4 x 1/2	216	532 19 61-31	Bracket Pulley Idler
80	532 44 06-19	Strap Torque	221	532 40 31-87	Retainer Spring Clip Handle
99	532 41 57-42	Rod Spring Bypass	225	532 40 33-19	Keeper Belt Transaxle
116	873 90 05-00	Nut Lock Hex Flange 5/16-18	226	532 40 15-64	Bracket Mount Torque
125	817 00 05-12	Screw 5/16-18 x 3/4	227	817 49 05-12	Screw 5/16 - 18 x 3/4
143	817 49 05-08	Screw THDROL 5/16-18	230	532 18 89-67	Washer Harden .793 x 1.637 x 060
153	532 12 47-88	Retainer Spring 1"	232	874 78 07-16	Bolt 7/16-14 x 1 Gr 5
159	876 02 04-12	Pin Cotter 1/8 x 3/4	233	532 40 52-96	Washer Serrated
160	532 16 94-84	Retainer Clip	279	532 40 62-07	Link Shift
161	532 10 57-09	Spring, Return, Clutch			

NOTE: All component dimensions given in U.S. inches
1 inch = 25.4 mm

TRACTOR -- MODEL NO. YTH2042 (250180)

ENGINE



engine-tex_BS_68

TRACTOR - - MODEL NO. YTH2042 (250180)

ENGINE

KEY NO.	PART NO.	DESCRIPTION
1	-----	Engine Briggs Model No. 331777-2372-G5(438212) (Order parts from engine manufacturer.)
2	532 44 67-60	Muffler
9	532 19 43-20	Keeper Belt Engine
12	532 40 54-71	Pulley Engine
15	532 43 30-07	Tank Fuel
18	532 43 85-96	Cap Fuel
20	532 40 15-08	Control Throttle
21	532 41 63-58	Screw #10 x 0.750 BOS Thread
28	532 40 11-37	Fuel Line
29	532 13 71-80	Spark Arrester Kit
37	532 12 34-87	Clamp Hose
42	810 04 07-00	Washer Lock 7/16
45	873 51 04-00	Nut Keps Hex 1/4-20 unc
69	532 16 52-91	Gasket
79	532 19 23-34	Screw 5/16-18 x 3/4
81	532 14 84-56	Tube Drain Oil Easy
82	532 42 82-87	Valve Drain Oil
84	817 06 06-20	Screw 3/8-16 x 1/4
85	532 17 39-37	Bolt Hex 7/16-20 x 4 Gr. 5
87	532 17 18-77	Bolt 5/16-18 unc x 3/4 w/sems
90	817 00 06-16	Screw 3/8-16 x 1
94	532 40 54-50	Exhaust Tube
96	819 09 14-16	Washer 9/32 x 7/8 x 16 Ga.
97	817 67 04-12	Screw 1/4-20 x 3/4
138	532 41 41-19	Purge Line

NOTE: All component dimensions given in U.S. inches
1 inch = 25.4 mm

For engine service and replacement parts, call the toll free number for your engine manufacturer listed below:

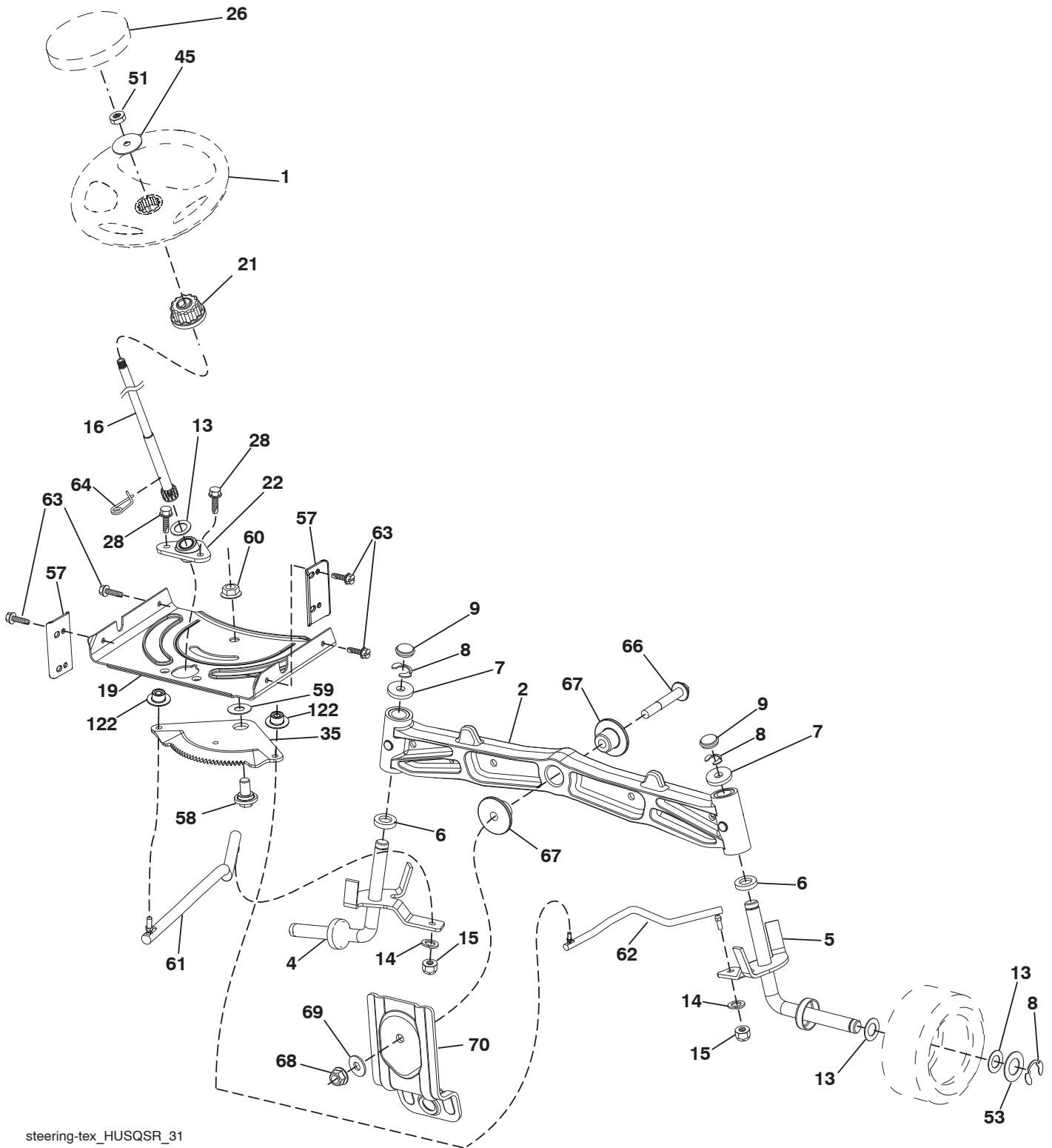
Briggs & Stratton 1-800-233-3723

Engine Power Rating Information

The gross power rating for individual gas engine models is labeled in accordance with SAE (Society of Automotive Engineers) code J1940 (Small Engine Power & Torque Rating Procedure), and rating performance has been obtained and corrected in accordance with SAE J1995 (Revision 2002-05). Torque values are derived at 3060 RPM; horsepower values are derived at 3600 RPM. Actual gross engine power will be lower and is affected by, among other things, ambient operating conditions and engine-to-engine variability. Given both the wide array of products on which engines are placed and the variety of environmental issues applicable to operating the equipment, the gas engine will not develop the rated gross power when used in a given piece of power equipment (actual "on-site" or net power). This difference is due to a variety of factors including, but not limited to, accessories (air cleaner, exhaust, charging, cooling, carburetor, fuel pump, etc.), application limitations, ambient operating conditions (temperature, humidity, altitude), and engine-to-engine variability. Due to manufacturing and capacity limitations, Briggs & Stratton may substitute an engine of higher rated power for this Series engine.

TRACTOR -- MODEL NO. YTH2042 (250180)

STEERING ASSEMBLY



steering-tex_HUSQSR_31

TRACTOR - - MODEL NO. YTH2042 (250180)

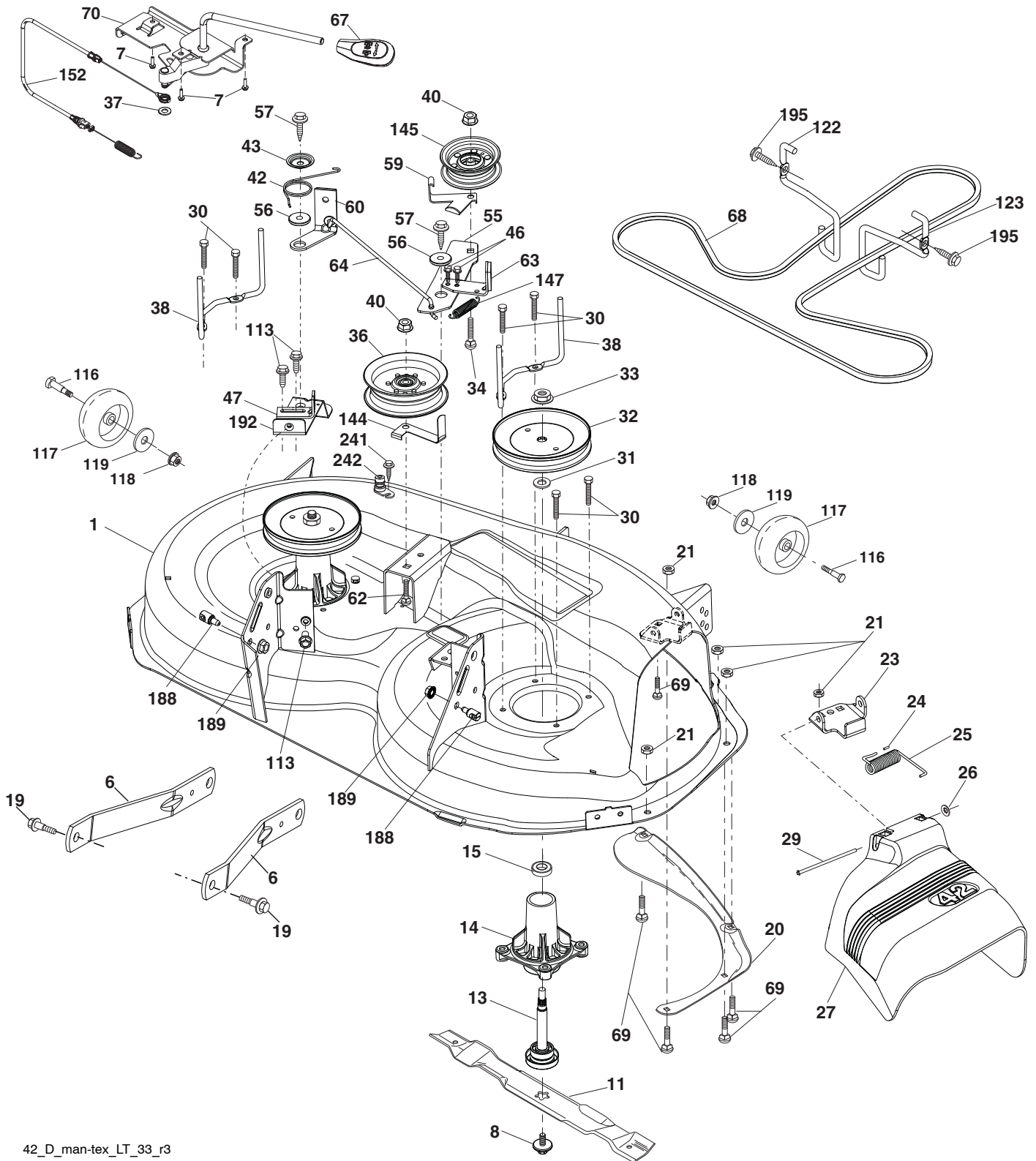
STEERING ASSEMBLY

KEY NO.	PART NO.	DESCRIPTION
1	532 43 99-97	Wheel, Steering
2	532 19 59-68	Axle Asm., Front
4	532 40 30-87	Spindle Asm., LH
5	532 40 30-88	Spindle Asm., RH
6	532 12 49-31	Bearing, Race Thrust Harden
7	532 12 17-48	Washer 25/32 x 1-5/8 x 16 Ga.
8	812 00 00-29	Ring, Klip #T5304-75
9	532 12 12-32	Cap, Spindle
13	532 12 17-49	Washer 25/32 x 1-1/4 x 16 Ga.
14	810 04 06-00	Washer, Lock Hvy Hlcl Spr 3/8
15	873 54 06-00	Nut, Crown Lock 3/8-24 unf
16	532 40 82-19	Shaft Steering
19	532 19 47-29	Plate Steering
21	532 18 67-37	Adapter, Wheel Steering
22	532 42 05-37	Strg. Supt. Lower
26	532 43 97-43	Insert, Wheel Steering
28	817 00 06-12	Screw 3/8-16 x 3/4
35	532 19 47-32	Gear, Sector Plate
45	819 18 38-12	Washer 9/16 ID x 2-3/8 OD 12 GZIN
51	873 94 08-00	Nut Hex Jam Toplock 1/2-20
53	532 18 89-67	Washer Hardened .793 x 1.637 x .060
57	532 40 74-65	Bracket Upstop
58	532 19 47-47	Bolt Shoulder Sector Pivot CFM
59	532 19 47-48	Washer Thrust Sector Steering
60	873 97 10-00	Nut Flange Lock 5/8-11
61	532 19 47-40	Draglink, LH
62	532 19 47-41	Draglink, RH
63	817 00 05-12	Screw 5/16-18 x 3/4
64	532 19 98-49	Retainer Clip Spring Steering
66	871 02 07-48	Bolt Hex Fghd 7/16-14 x 3 Serr
67	532 19 47-37	Bushing PM Front Axle
68	873 90 07-00	Nut Lock Flange 7/16-14 Gr. 5
69	532 19 91-62	Washer 1.5 x .505 x .118
70	532 19 61-97	Bracket Deck Susp. Front
122	532 44 49-62	Cap Gear Sector

NOTE: All component dimensions given in U.S. inches
1 inch = 25.4 mm

TRACTOR - - MODEL NO. YTH2042 (250180)

MOWER DECK



42_D_man-tex_LT_33_r3

TRACTOR - - MODEL NO. YTH2042 (250180)

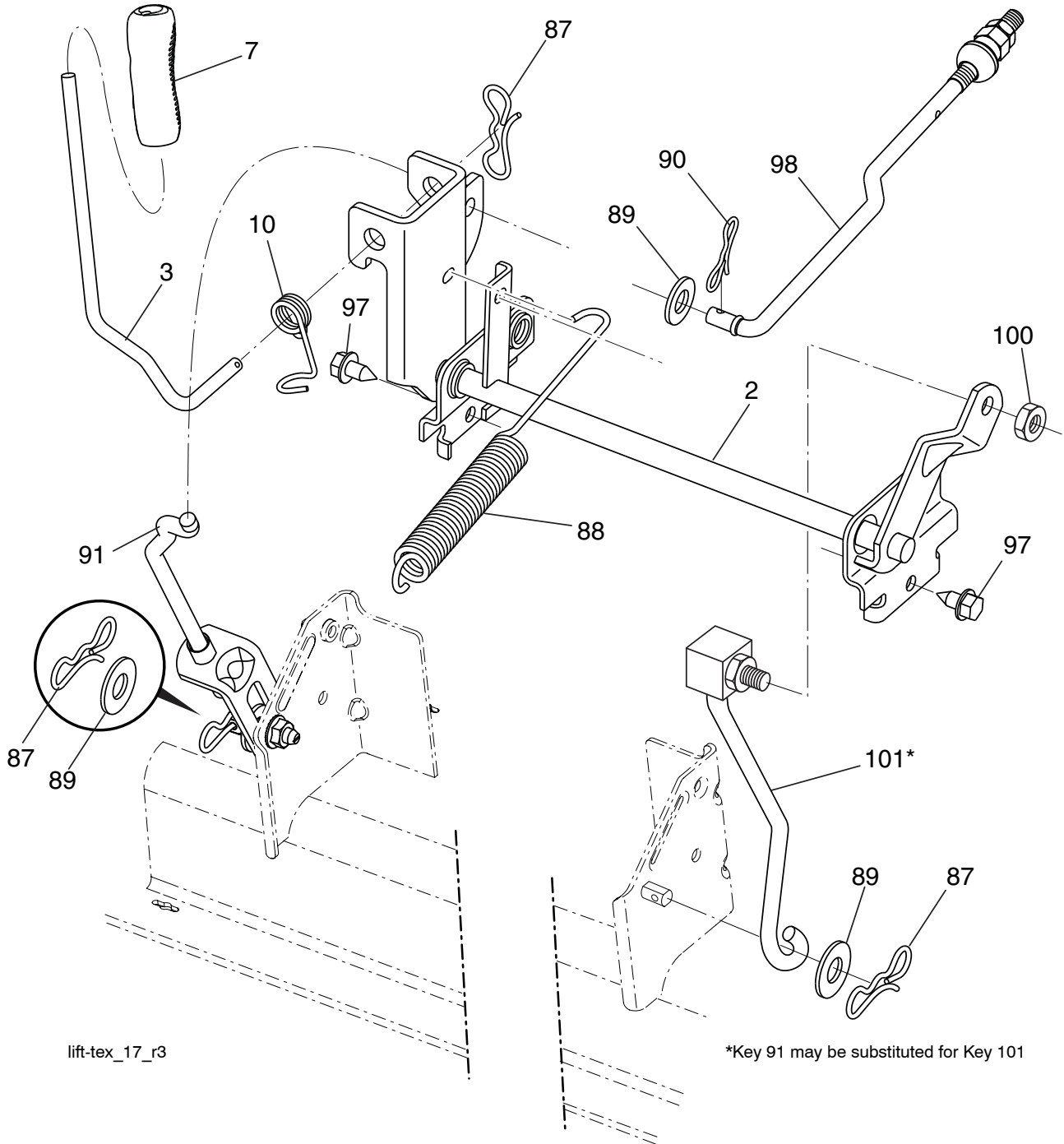
MOWER DECK

KEY NO.	PART NO.	DESCRIPTION	KEY NO.	PART NO.	DESCRIPTION
1	532 43 98-17	Mower Housing	62	872 11 06-16	Bolt Rd Hd Sq Nk 3/8-16 unc x 2
6	532 19 51-86	Arm Suspension	63	532 19 94-77	Arm Brake Mower
7	532 41 63-58	Screw #10 x .750 BOS Thread	64	532 19 99-18	Link Brake
8	532 19 30-03	Bolt/Washer Asm 7/16-20 unf	67	532 40 30-12	Handle Clutch Cable
11	532 13 89-71	Blade, 42" Hi-Lift (For bagging or discharge)	68	532 42 96-36	V-Belt
13	532 19 28-72	Shaft Assembly, Mandrel	69	872 14 05-05	Bolt
14	532 18 72-81	Housing, Mandrel	70	532 19 99-72	Clutch Asm Manual
15	532 11 04-85	Bearing, Ball, Mandrel	113	817 00 05-10	Screw 5/16-18
19	532 19 65-39	Bolt, Shoulder	116	532 12 48-42	Bolt, Shoulder
20	532 15 97-70	Baffle, Vortex	117	532 18 86-06	Wheel, Gauge
21	873 68 05-00	Nut, Crownlock 5/16-18 unc	118	873 90 06-00	Nut, Crownlock 3/8-1
23	532 19 25-57	Bracket, Deflector	119	819 12 14-14	Washer 13/32 x 7/8 x 14 Ga.
24	532 10 53-04	Cap, Sleeve	122	532 19 72-58	Keeper Belt Engine LH
25	532 19 70-26	Spring, Torsion, Deflector	123	532 19 72-59	Keeper Belt Engine RH
26	532 11 04-52	Nut, Push	144	532 19 92-04	Keeper Belt
27	532 40 30-04	Shield, Deflector	145	532 19 31-97	Pulley Idler
29	532 13 14-91	Rod, Hinge	147	532 40 19-71	Spring Return
30	532 17 39-84	Screw Thdrol Rolling Wsh Hd	152	532 43 51-10	Manual Clutch Cable
31	532 18 76-90	Washer, Spacer	188	532 19 51-61	Stud Fastener
32	532 19 74-73	Pulley, Mandrel	189	873 90 05-00	Nut Lock Hex Flange
33	532 40 02-34	Nut, Toplock, Flanged	192	532 19 72-60	Bracket Brake Stand LH
34	872 11 06-12	Bolt Carr Sh. 3/8-16 x 1-1/2 Gr. 5	195	817 00 06-12	Screw 3/8-16 x 3/4
36	532 19 73-79	Pulley, Idler, Flat	241	532 15 29-27	Screw TT #10-32 5 3/8 Flange
37	819 13 13-16	Washer	242	532 41 55-98	Port Washout
38	532 43 25-20	Keeper Belt Mandrel	--	532 41 64-05	Coupling Quick connect
40	873 90 06-00	Nut, Lock Flg. 3/8-16 unc	--	532 19 28-70	Mandrel Assembly (Includes housing, shaft assembly, and bearing only - pulley/nut/washer and blade bolt/washers not included)
42	532 19 84-10	Spring Torsion Brake	--	532 43 29-37	Replacement Mower, Complete
43	532 19 72-56	Spring Torsion Retainer			
46	532 13 77-29	Screw Thd Roll 1/4-20 x 5/8			
47	532 19 72-50	Bracket Clutch Cable			
55	532 43 71-10	Arm, Idler			
56	532 19 90-92	Spacer, Retainer			
57	817 00 06-16	Screw 3/8-16 x 1			
59	532 14 10-43	Guard, Tuv Idler			
60	532 19 72-61	Arm Brake Mower			

NOTE: All component dimensions given in U.S. inches
1 inch = 25.4 mm

TRACTOR -- MODEL NO. YTH2042 (250180)

MOWER LIFT



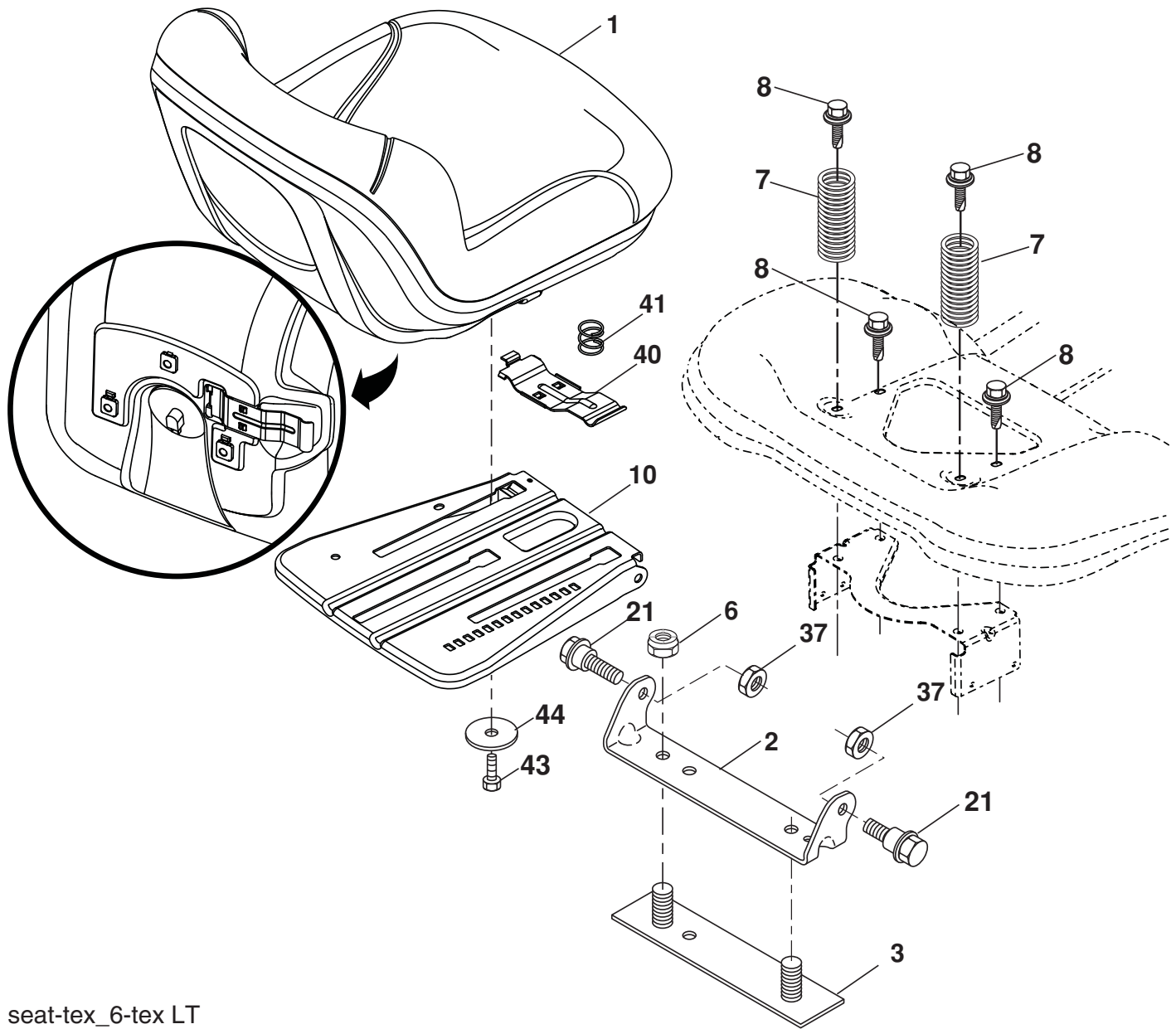
KEY NO.	PART NO.	DESCRIPTION
2	532 42 20-27	Shaft Asm., Lift
3	532 19 52-31	Lever Asm., Lift RH
7	532 41 15-55	Grip, Lever
10	532 19 63-14	Spring Torsion
87	532 19 42-09	Pin Cotter 7/16 Bow Tie Lock
88	532 41 07-10	Spring Lift Assist
89	819 19 19-12	Washer Clear Zinc
90	532 19 42-08	Pin Cotter 5/16 Bow Tie Lock
91	532 19 51-81	Link Asm Lift LH Rear

KEY NO.	PART NO.	DESCRIPTION
97	817 00 06-12	Screw Hex Wsh. THDR 3/8-16 x 3/4
98	532 19 52-70	Link Lift Susp. Front Mower
100	873 93 06-00	Nut Centerlock 3/8-16 unc
101	532 40 70-03	Link Asm. Lift FXD

NOTE: All component dimensions given in U.S. inches
1 inch = 25.4 mm

TRACTOR -- MODEL NO. YTH2042 (250180)

SEAT ASSEMBLY



seat-tex_6-tex LT

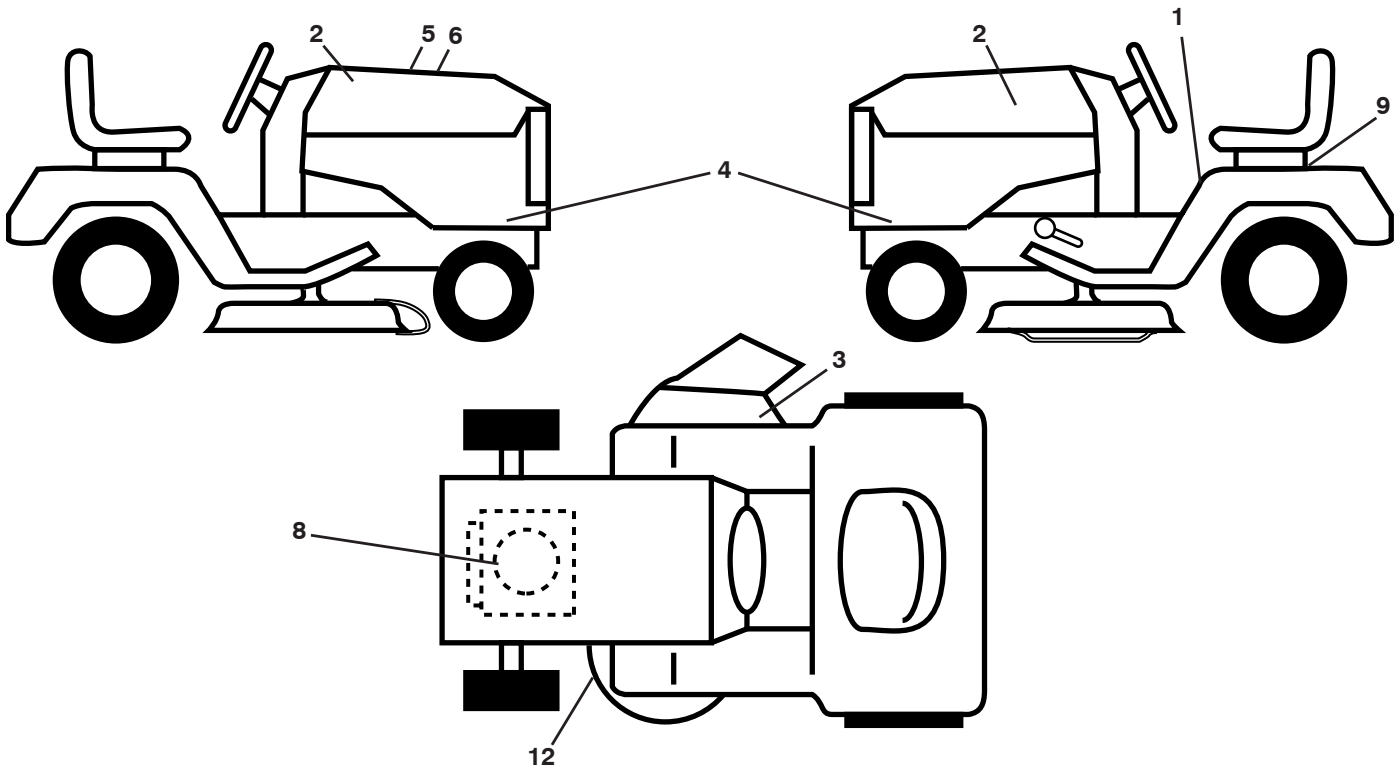
KEY NO.	PART NO.	DESCRIPTION
1	532 43 98-19	Seat
2	532 18 01-66	Bracket Pivot Fender
3	532 14 06-75	Strap, Asm Fender
6	873 80 06-00	Nut, Lock w/Ins. 3/8-16 unc
7	532 12 41-81	Spring, Seat Cprsn
8	532 17 18-77	Bolt 5/16-18 unc x 3/4 w/Sems
10	532 19 69-77	Pan, Seat
21	532 17 18-52	Bolt, Shoulder 5/16-18

KEY NO.	PART NO.	DESCRIPTION
37	873 80 05-00	Nut, Lock 5/16-18 unc
40	532 19 76-61	Handle Slide Seat
41	532 19 82-00	Spring Latch Seat
43	874 76 06-12	Bolt Fin Hex 3/8-16 unc x 3/4
44	819 13 38-12	Washer 13/32 x 2-3/8 x 12 Ga.

NOTE: All component dimensions given in U.S. inches
1 inch = 25.4 mm

TRACTOR -- MODEL NO. YTH2042 (250180)

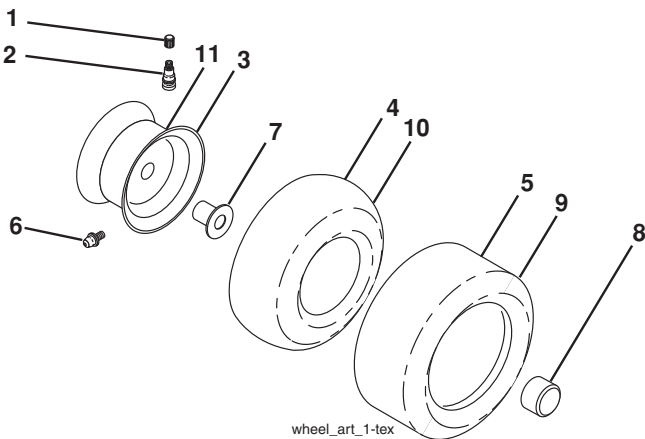
DECALS



KEY NO.	PART NO.	DESCRIPTION
1	532 41 16-57	Decal, Fender Warn./Instructions
2	532 42 91-96	Decal, Hood Logo
3	532 17 05-63	Decal, Mower Warning
4	532 43 86-65	Decal, Hood Panel
5	532 42 38-29	Decal, Customer Respons.
6	532 44 70-08	Decal, Replacement
8	532 42 95-51	Decal, Engine

KEY NO.	PART NO.	DESCRIPTION
9	532 14 50-05	Decal, Battery Dnge/Poi
12	532 16 03-96	Decal, Mower V-Belt Schematic
--	532 16 69-60	Decal, Bypass
--	532 43 96-81	Pad, Footrest, LH
--	532 43 99-66	Pad, Footrest, RH
--	532 44 82-24	Manual, Operator's (English/Spanish)
--	580 39 21-27	Manual, Parts (English/Spanish)

WHEELS AND TIRES



KEY NO.	PART NO.	DESCRIPTION
1	532 05 91-92	Cap Valve Tire
2	532 06 51-39	Stem Valve
3	532 13 83-36	Rim Asm 6" Front
4	532 05 99-04	Tube Front (Service Item Only)
5	532 10 62-22	Tire Front 15 x 6.0-6
6	532 12 49-57	Fitting Grease (Front Wheel Only)
7	532 12 49-59	Bearing Flange (Front Wheel Only)
8	532 17 50-39	Cap Axle Blk 1 50 x 1 00
9	532 13 84-68	Tire Rear 20 x 8-8
10	532 12 49-26	Tube Rear (Service Item Only)
11	532 13 83-37	Rim Asm 8" Rear
--	532 14 43-34	Sealant, Tire (10 oz. Tube)

NOTE: All component dimensions given in U.S. inches
1 inch = 25.4 mm

TRACTOR - - MODEL NUMBER YTH2042 (250180)

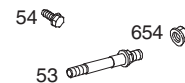
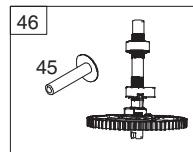
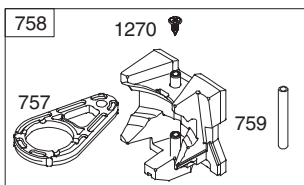
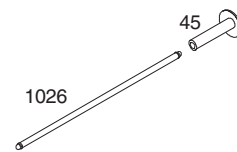
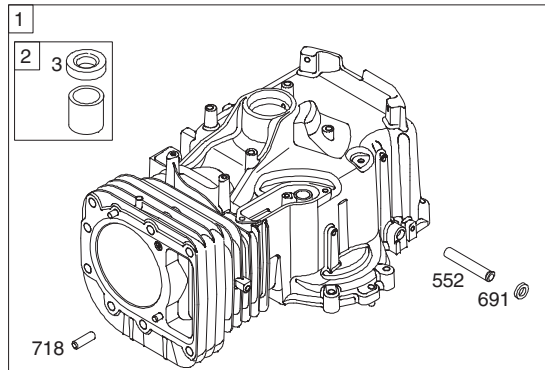
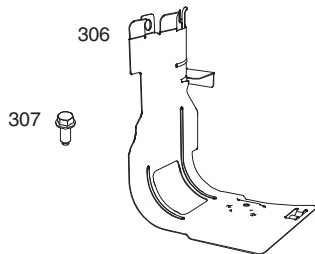
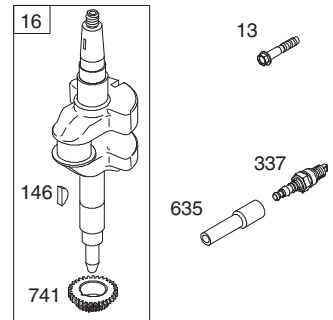
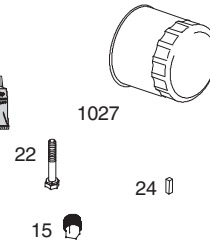
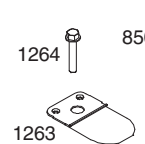
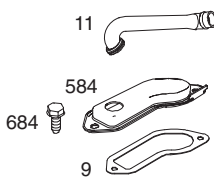
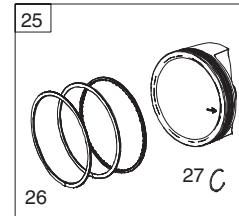
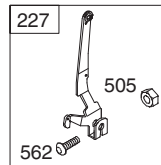
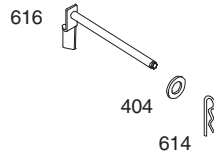
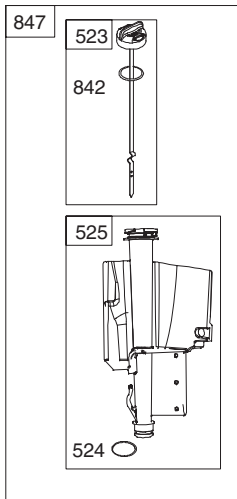
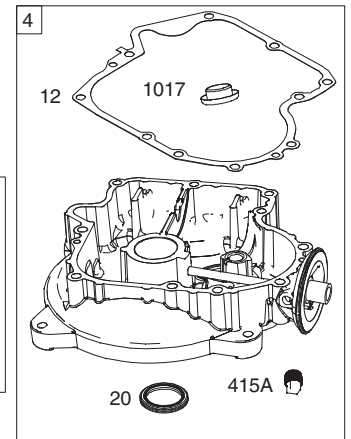
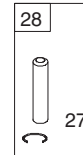
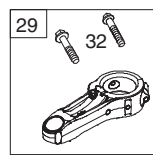
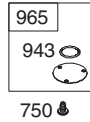
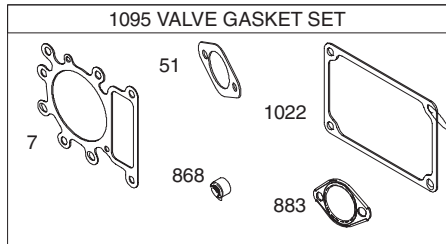
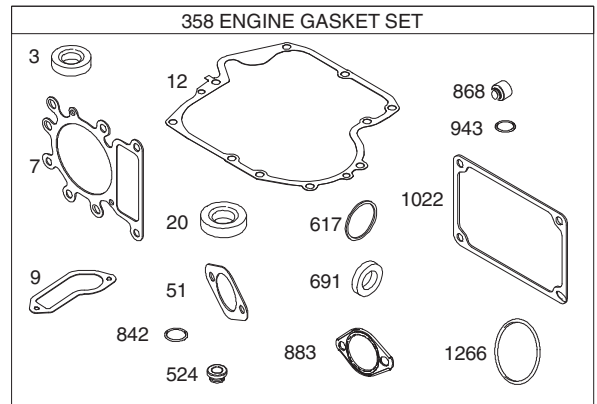
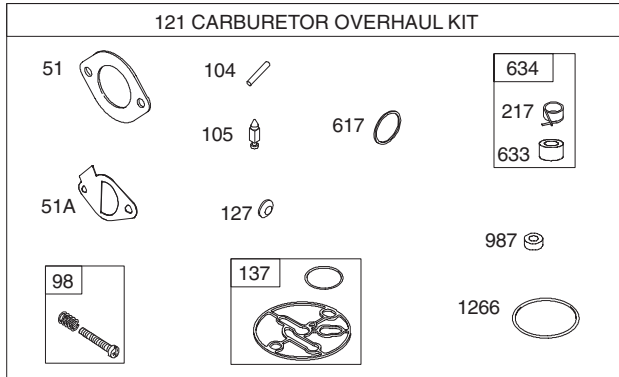
B&S ENGINE MODEL 331777-2372-G5

48 SHORT BLOCK

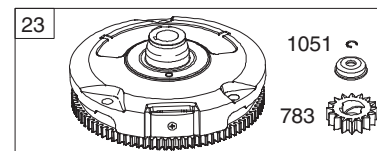
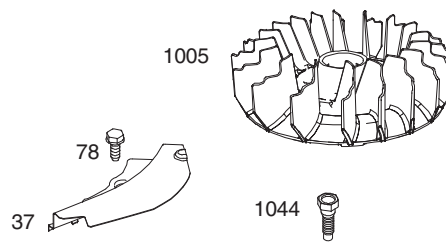
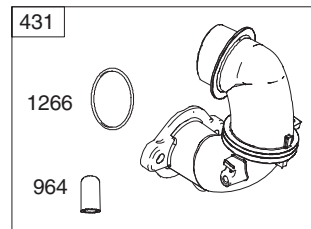
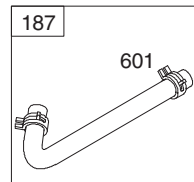
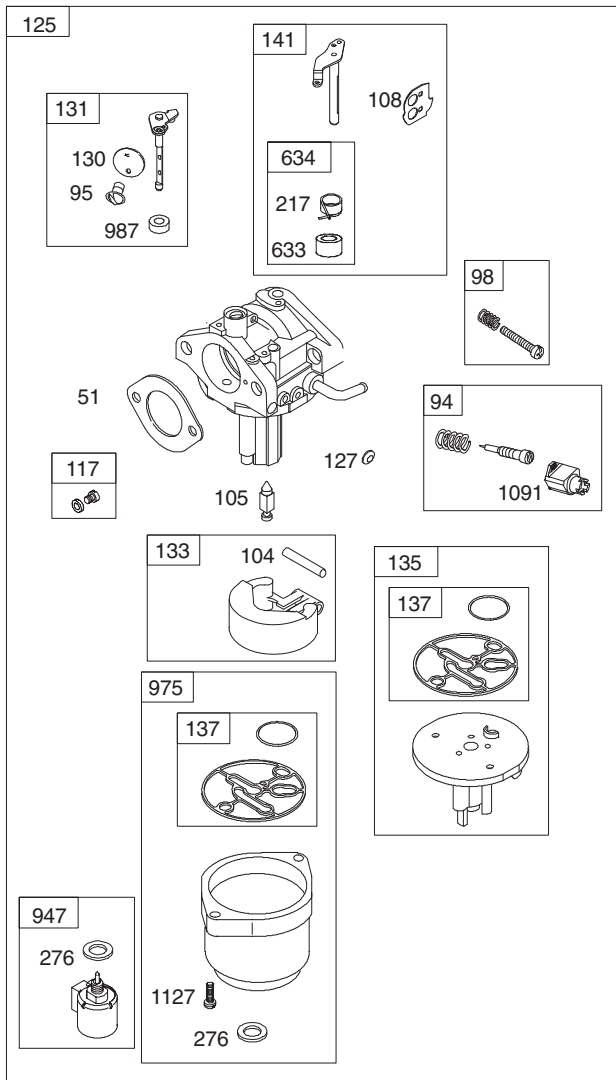
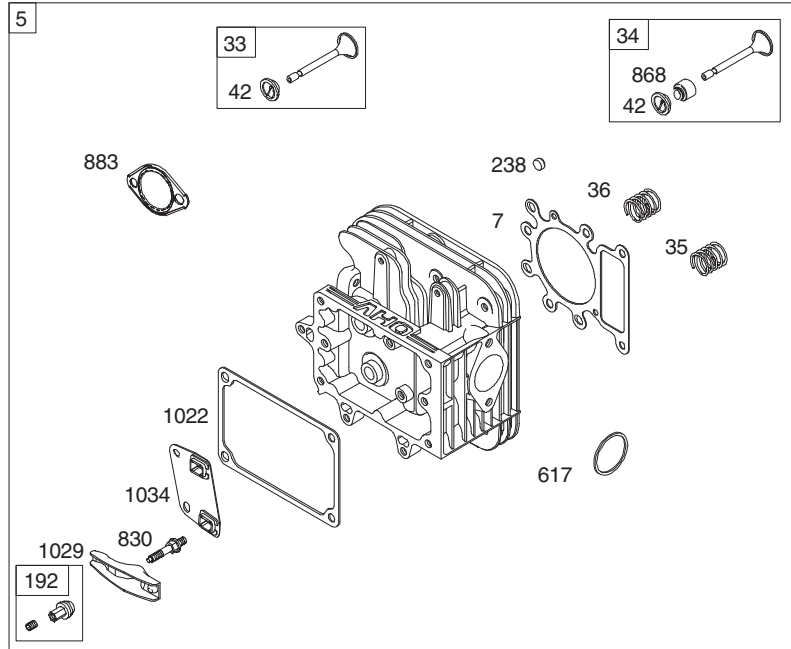
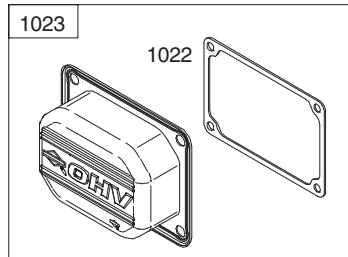
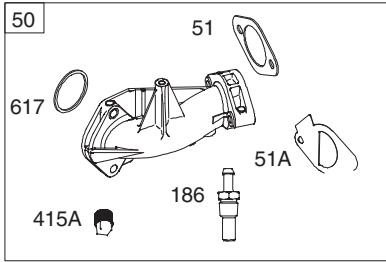
1036 EMISSIONS LABEL

1058 OPERATOR'S MANUAL

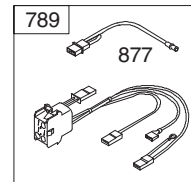
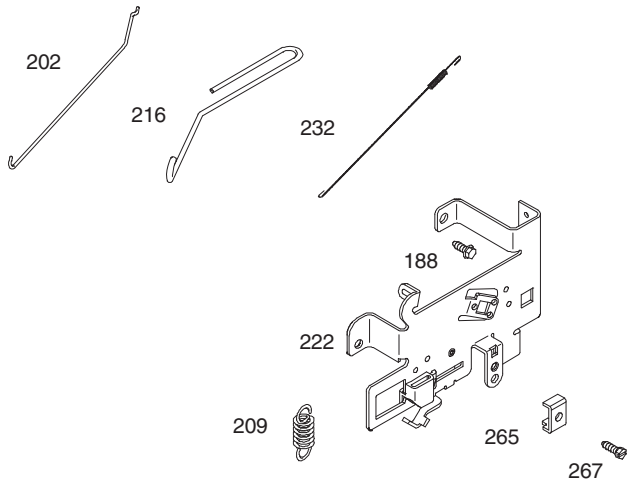
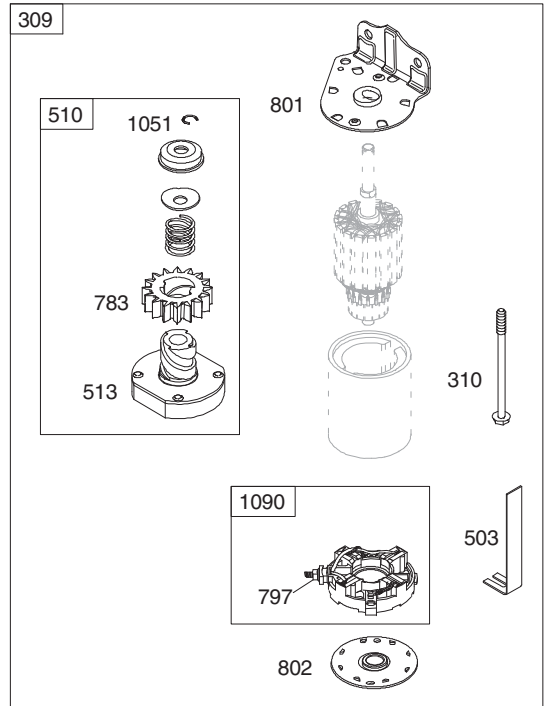
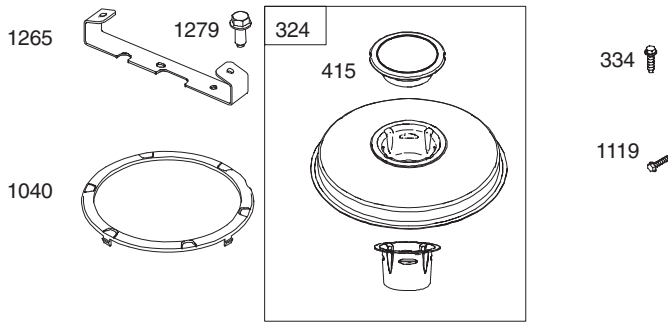
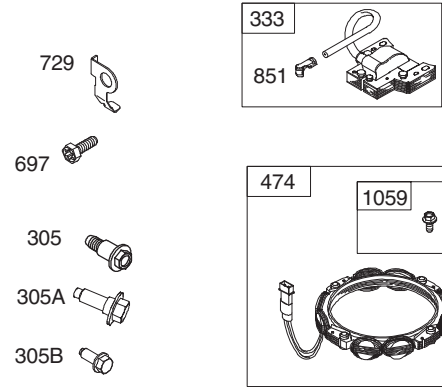
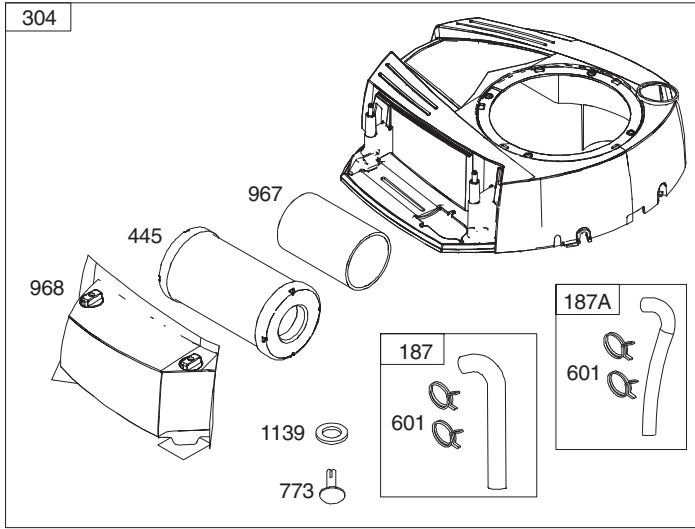
1329 REPLACEMENT ENGINE



TRACTOR - - MODEL NUMBER YTH2042 (250180)
B&S ENGINE MODEL 331777-2372-G5



TRACTOR - - MODEL NUMBER YTH2042 (250180)
B&S ENGINE MODEL 331777-2372-G5



TRACTOR - - MODEL NUMBER YTH2042 (250180)

B&S ENGINE MODEL 331777-2372-G5

KEY NO.	PART NO.	DESCRIPTION	KEY NO.	PART NO.	DESCRIPTION
1	794128	Cylinder Assembly	188	691693	Screw (Control Bracket)
2	797673	Bushing/Seal Kit (Magneto Side)	192	691986	Adjuster-Rocker Arm
3	391086s	Seal-Oil (Magneto Side)	202	691841	Link-Mechanical Governor
4	697188	Sump-Engine	209	692208	Spring-Governor (Green)
5	796026	Head-Cylinder	216	691840	Link-Choke
7	794114	Gasket-Cylinder Head	217	695409	Spring-Choke Return
9	697109	Gasket-Breather	222	694042	Bracket-Control
11	794683	Tube-Breather	227	691374	Lever-Governor Control
12	697110	Gasket-Crankcase	232	691842	Spring-Governor Link
13	793988	Screw (Cylinder Head)	238	691843	Cap-Valve
15	690946	Plug-Oil Drain	240	394358s	Filter-Fuel
16	797579	Crankshaft	265	691024	Clamp-Casing
20	795387	Seal-Oil (PTO Side)	267	794904	Screw (Casing Clamp)
22	692125	Screw (Crankcase Cover/Sump)	276	695410	Washer-Sealing
23	698281	Flywheel	304	798670	Housing-Blower
24	796335	Key-Flywheel (Steel)	305	697102	Screw (Blower Housing)
25	795858	Piston Assembly (Standard)			(1/4-20x1.21)
	795877	Piston Assembly (020" Oversize)	305A	799370	Screw (Blower Housing)
26	794126	Ring Set (Standard)			(1/4-20x.90)
	794127	Ring Set (.020" Oversize)	305B	795891	Screw (Blower Housing)
27	698469	Lock-Piston Pin			(Blower Housing to Carburetor Elbow)
28	795861	Pin-Piston			
29	794122	Rod-Connecting	306	794953	Shield-Cylinder
32	791118	Screw (Connecting Rod)	307	691693	Screw (Cylinder Shield)
33	792868	Valve-Exhaust	309	693551	Motor-Starter
34	791935	Valve-Intake	310	690323	Screw (Starter Motor)
35	691279	Spring-Valve (Intake)	324	796309	Screen/Cup Assembly
36	691279	Spring-Valve (Exhaust)	333	799650	Armature-Magneto
37	699882	Guard-Flywheel	334	691061	Screw (Magneto Armature)
42	499586	Keeper-Valve	337	491055s	Plug-Spark
43	691968	Slinger-Governor/Oil	358	796187	Gasket Set-Engine
45	690564	Tappet-Valve	404	691691	Washer (Governor Crank)
46	793880	Camshaft	415	794129	Plug (Cover/Retainer)
48	795446	Short Block	415A	794903	Plug
50	796180	Manifold-Intake	431	799043	Elbow-Intake
51	692137	Gasket-Intake	445	793569	Filter-Air Cleaner Cartridge
51A	794312	Gasket-Intake	474	696459	Alternator
53	591260	Stud (Carburetor)	503	691532	Strap-Starter
54	691148	Screw (Intake Manifold)	505	691251	Nut (Governor Control Lever)
78	691693	Screw (Flywheel Guard)	510	693699	Drive-Starter
94	793610	Kit-Idle Mixture	513	692024	Clutch-Drive
95	690718	Screw (Throttle Valve)	523	699908	Dipstick
98	695408	Kit-Idle Speed	524	691032	Seal-Dipstick Tube
104	694918	Pin-Float Hinge	525	697184	Tube-Dipstick
105	696136	Valve-Float Needle	552	697144	Bushing-Governor Crank
108	695419	Valve-Choke	562	691119	Screw (Governor Control Lever)
117	796251	Jet-Main (Standard)	584	794682	Cover-Breather Passage
118	791406	Jet-Main (High Altitude)	601	791850	Hose-Clamp (Green)
121	796184	Kit-Carburetor Overhaul	614	691620	Pin-Cotter
125	796587	Carburetor	616	692012	Crank-Governor
127	690727	Plug-Welch	617	692138	Seal-O Ring (Intake Manifold) (Red)
130	792747	Valve-Throttle	633	699813	Seal-Choke/Throttle Shaft (Choke Shaft)
131	792765	Kit-Throttle Shaft			
133	694914	Float-Carburetor	634	698779	Spring/Seal Assembly
135	698780	Tube-Fuel Transfer	635	691909	Boot-Spark Plug
137	698781	Gasket-Float Bowl	654	690958	Nut (Carburetor)
141	792777	Kit-Choke Shaft	684	697157	Screw (Breather Passage Cover)
146	691639	Key-Timing	691	692407	Seal-Governor Shaft
186	794873	Connector-Hose (Intake Manifold)	697	791608	Screw (Drive Cap)
187	791805	Line-Fuel (Formed)	718	690959	Pin-Locating
		(Cut to Required Length)	729	691224	Clip-Wire
187A	791744	Line-Fuel (Formed)	741	697128	Gear-Timing
		(Cut to Required Length)	750	790832	Screw (Oil Pump Cover)

TRACTOR - - MODEL NUMBER YTH2042 (250180)

B&S ENGINE MODEL 331777-2372-G5

KEY NO.	PART NO.	DESCRIPTION
757	793242	Link-Counterweight
758	793763	Counterweight
759	697392	Pin-Counterweight
773	796448	Retainer (Fuel Pump)
783	693713	Gear-Pinion
789	698329	Harness-Wiring
797	693167	Nut (Brush Retainer)
801	691283	Cap-Drive
802	691286	Cap-End
830	691095	Stud-Rocker Arm
842	691031	Seal-O Ring (Dipstick)
847	790442	Dipstick/Tube Assembly
850	100106	Sealant-Liquid
851	692424	Terminal-Spark Plug
868	690968	Seal-Valve
877	790544	Wire/Connector-Alternator
883	692236	Gasket-Exhaust
914	697551	Screw (Rocker Cover)
943	690589	Seal-O Ring (Oil Pump Cover)
947	699915	Solenoid-Fuel
964	799159	Cap-Connector
965	499613	Cover-Oil Pump
967	793685	Filter-Pre Cleaner
968	795757	Cover-Air Cleaner
975	699502	Bowl-Fuel
987	698777	Seal-Throttle Shaft
1005	796084	Fan-Flywheel
1022	272475s	Gasket-Rocker Cover
1023	797421	Cover-Rocker
1024	794644	Pump-Oil
1026	692003	Rod-Push (Intake)
	692011	Rod-Push (Exhaust)
1027	492932s	Filter-Oil
1029	691751	Arm-Rocker
1034	690822	Guide-Push Rod
1036		Label-Emissions (Available from a B & S Authorized Dealer)
1040	698368	Plate-Trim
1044	698139	Screw (Flywheel)
1051	691265	Ring-Retaining
1058	277675TRI	Operator's Manual
1059	698516	Kit-Screw/Washer
1090	691293	Retainer-Brush
1091	691333	Cap-Limiter
1095	794152	Gasket Set-Valve
1119	691183	Screw (Alternator)
1127	695407	Screw (Float Bowl)
1139	796449	Washer (Fuel Pump Bracket)
1263	697124	Reed-Breather
1264	697104	Screw (Breather Reed)
1265	794151	Support-Blower Housing
1266	691917	Seal-O Ring (Intake Elbow) (Red)
1270	793243	Plug-AVS Counterweight
1329	331877-3036-G5	Replacement Engine
1330	276781	Repair Manual
		Carburetor Overhaul Kit Key No. 121
		Engine Gasket Set Key No. 358
		Valve Gasket Set Key No. 1095

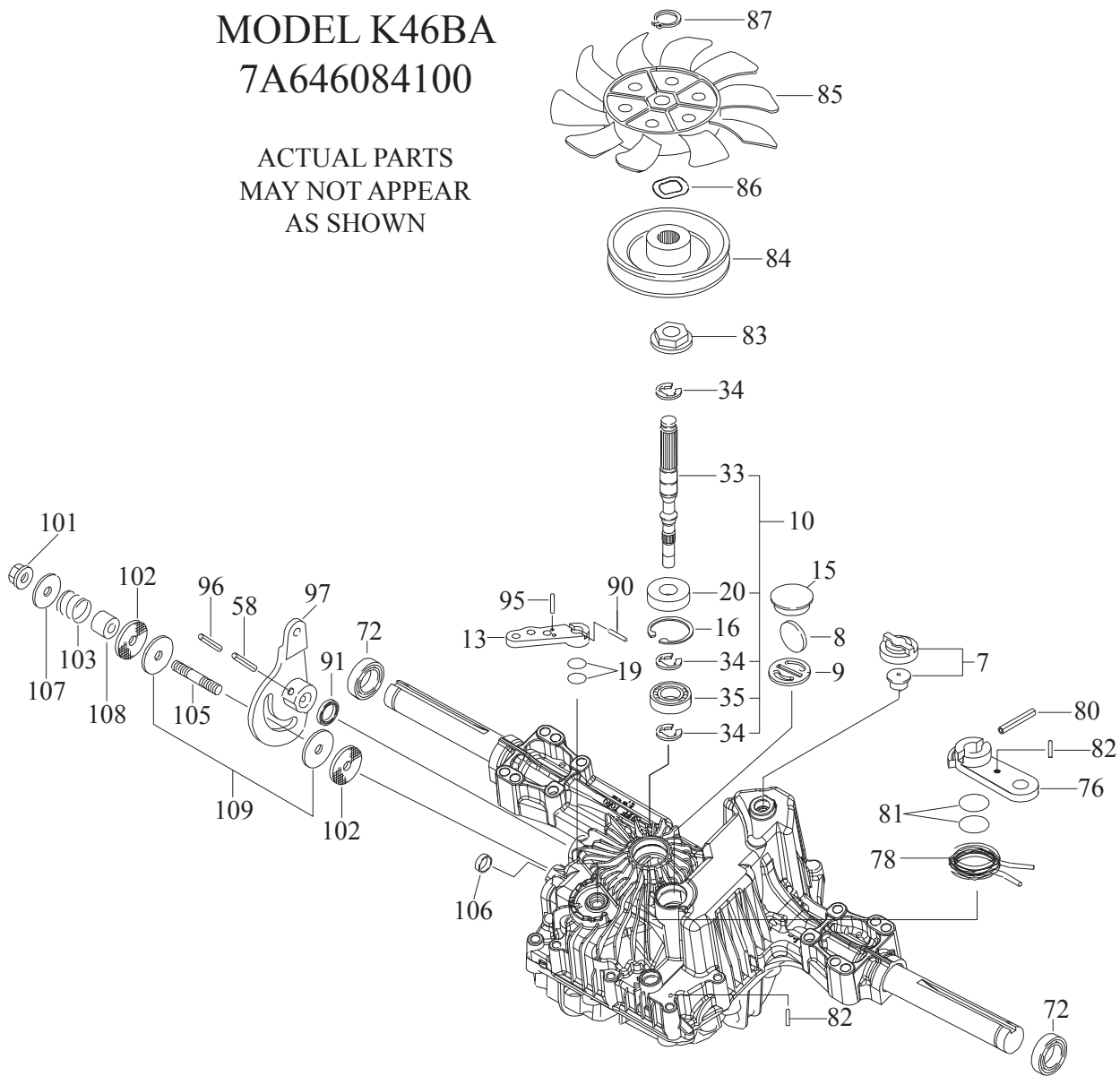
NOTE: All component dimensions given in U.S. inches
1 inch = 25.4 mm

TRACTOR - - MODEL NO. YTH2042 (250180)

TRANSAXLE

MODEL K46BA
7A646084100

ACTUAL PARTS
MAY NOT APPEAR
AS SHOWN



KEY PART NO. NO.

KEY PART NO.	NO.	DESCRIPTION
7	532 41 43-95	VENT VALVE 15
8	532 41 43-96	MAGNET
9	532 41 43-97	MAGNET HOLDER
10	532 41 59-23	PUMP SHAFT/BEARING KIT
13	532 41 43-98	BYPASS LEVER
15	532 41 43-99	SEALING CAP 30
16	532 41 44-00	SNAP RING C 35
19	532 41 44-01	O-RING 1A P10A
20	532 41 44-02	SEAL TC 153507
33	532 41 44-03	PUMP SHAFT (STANDARD)
34	532 41 44-04	E-RING 15
35	532 41 44-05	BEARING 6202C3
58	532 41 44-06	ROLL PIN 6 * 40
72	532 41 44-07	SEAL 19 * 32 * 8
76	532 41 44-08	BRAKE LEVER
78	532 41 44-09	BRAKE RETURN SPRING
80	532 41 44-10	SPRING PIN 5 * 32
81	532 41 44-11	O-RING 1A P12
82	532 41 44-12	SPRING PIN 4 * 16
83	532 41 44-13	SPINE COLLAR

KEY PART NO. NO.

KEY PART NO.	NO.	DESCRIPTION
7	532 41 43-95	VENT VALVE 15
8	532 41 43-96	MAGNET
9	532 41 43-97	MAGNET HOLDER
10	532 41 59-23	PUMP SHAFT/BEARING KIT
13	532 41 43-98	BYPASS LEVER
15	532 41 43-99	SEALING CAP 30
16	532 41 44-00	SNAP RING C 35
19	532 41 44-01	O-RING 1A P10A
20	532 41 44-02	SEAL TC 153507
33	532 41 44-03	PUMP SHAFT (STANDARD)
34	532 41 44-04	E-RING 15
35	532 41 44-05	BEARING 6202C3
58	532 41 44-06	ROLL PIN 6 * 40
72	532 41 44-07	SEAL 19 * 32 * 8
76	532 41 44-08	BRAKE LEVER
78	532 41 44-09	BRAKE RETURN SPRING
80	532 41 44-10	SPRING PIN 5 * 32
81	532 41 44-11	O-RING 1A P12
82	532 41 44-12	SPRING PIN 4 * 16
83	532 41 44-13	SPINE COLLAR
84	532 41 44-14	PULLEY L
85	532 41 44-15	FAN, BLACK
86	532 41 44-16	WAVE WASHER
87	532 41 44-17	SNAP RING
90	532 41 44-18	SPRING PIN 3.0A * 20
91	532 41 44-19	OIL SEAL 16 * 22 * 03
95	532 41 58-50	SPRING PIN 3.0A * 16
96	532 41 44-20	ROLL PIN 3.5 * 40
97	532 41 44-21	CONTROL LEVER
101	532 41 42-16	LOCK NUT 10
102	532 41 44-23	WASHER 10 * 40 * 4
103	532 41 44-24	SPRING
105	532 41 44-25	STUD 10 * 60
106	532 41 44-26	SEALING CAP 18
107	532 41 44-27	WASHER 10 * 36 * 2.8
108	532 41 44-28	COLLAR 10 * 20 * 17
109	532 41 44-29	FRICTION PLATE KIT

NOTE: All component dimensions given in U.S. inches
1 inch = 25.4 mm

01/27/2012 SR