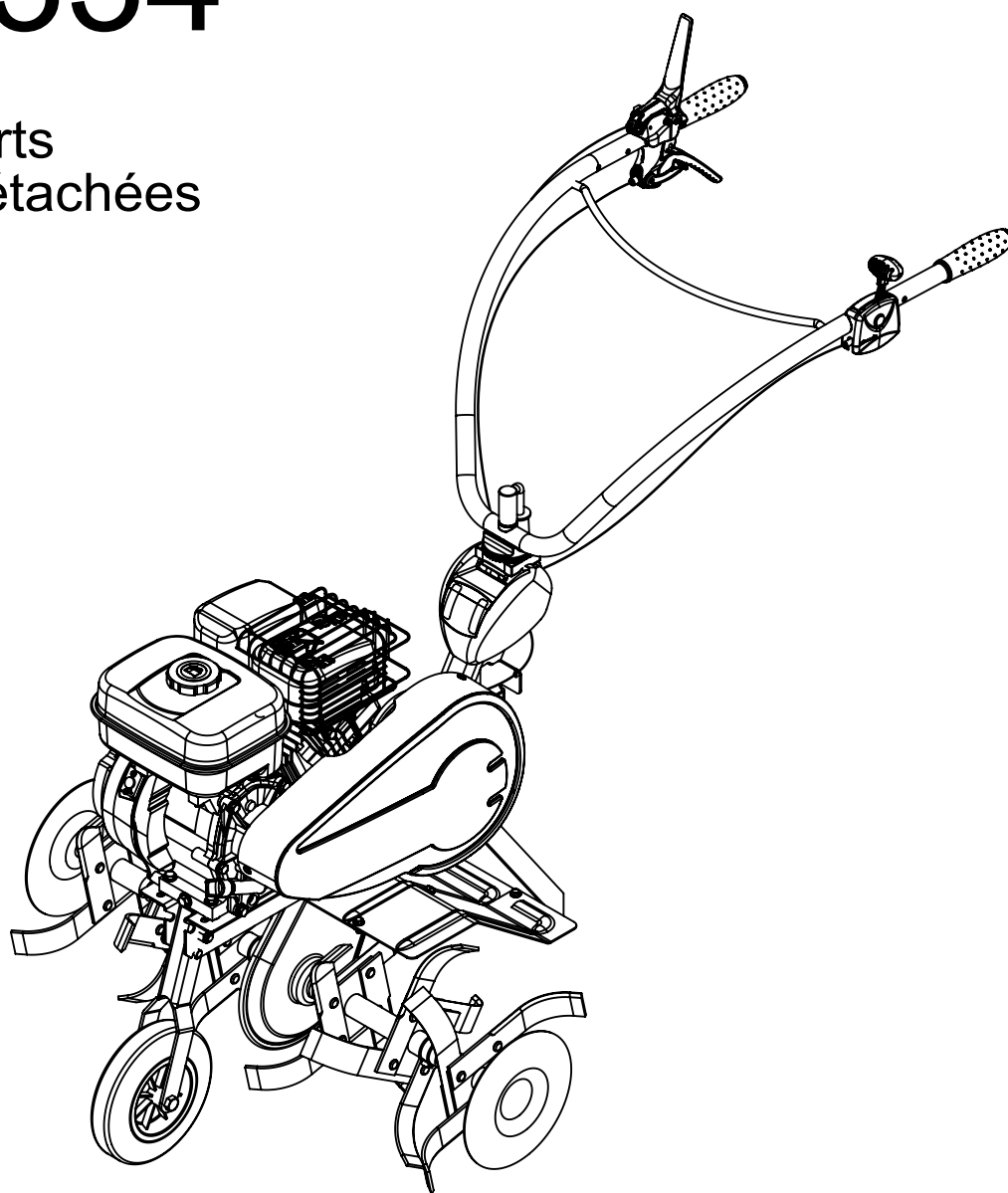


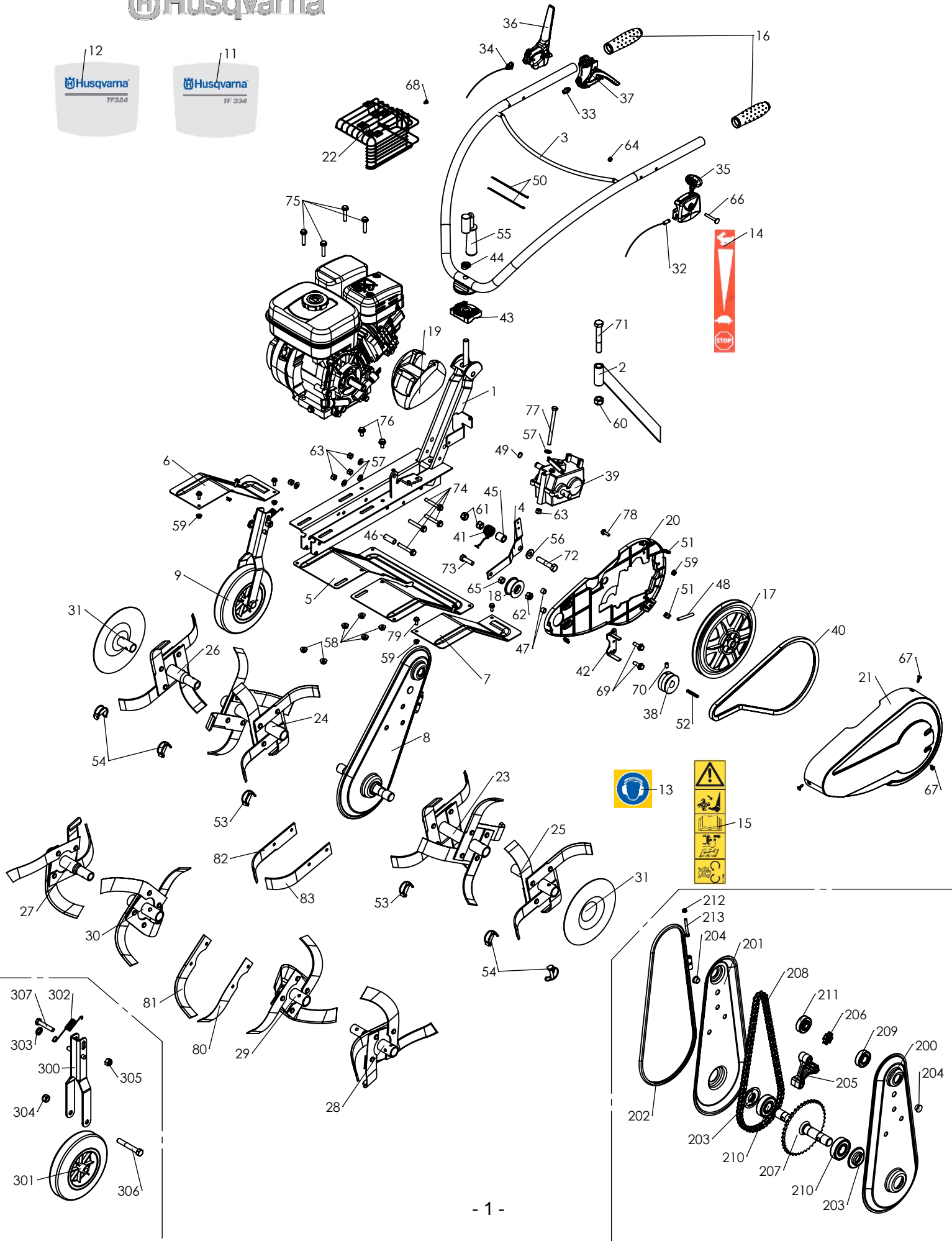
# TF 324 TF 334

Spare parts  
Pièces détachées



# REPAIR PARTS

TILLER - MODEL NO. TF 324, TF 334



# REPAIR PARTS

TILLER - MODEL NO. TF 324, TF 334

KEY NO.	PART NO.	REF.	DESCRIPTION	DESIGNATION	QTY QTE
1	580 32 23-01	3002230601	Eco max frame grey (627)	CHASSIS ECO MAX Gris (627)	1
2	531 00 82-06	3002000302	BLACK SPUR FOR PRIMO	EPERON PRIMO NOIR	1
3	580 46 10-01	3002100601	Grey (627) Elite Handlebar	GUIDON ELITE Gris (627)	1
4	519 65 34-07	3002000104	PLATE FOR CLUTCH LEVER COMPACT	LEVIER EMBR xMECA98x BICH	1
5	531 00 82-03	3002000603	Grey (627) Gear protective cov	TOLE PROTECTION Gris (627)	1
6	531 00 82-04	3002000601	Grey (627) R.H.S guard extension	EXTE TOLE PROT DROITE Gris (627)	1
7	531 00 82-05	3002000602	Grey (627) L.H.S guard extension	EXTE TOLE PROT GAUCHE Gris (627)	1
8	575 35 87-01	3001000027	Transmission, Grey flanged	CART 1/5 JONC xGRIS8x /Jt Bleu/Ch Elite	1
9	576 13 66-01	3001000031	Transport wheel filler	ROUE xNoirex TRANSP MOTOB xPremontex	1
10	580 32 06-01	0503060022	STICKER HUSQVARNA	ETIQUETTE HUSQVARNA	1
11	580 32 05-01	0503060021	Label Husqvarna TF334	ETIQ HUSQVARNA TF334	1
12	580 32 04-01	0503060020	Label Husqvarna TF324	ETIQ HUSQVARNA TF324	1
13	577 46 33-01	0503000077	SAFTY STICKER EARS PROTECTION	ETIQ. "SECURITE" 31x31 MM PROTECTION AUDITIVE	1
14	519 64 66-80	0503000045	STICKER THROTTLE CONTROL STOP-MIN-MAX	ETIQ. POIGNEE GAZ (AVEC STOP)	1
15	531 00 85-40	0503000036	STICKER SECURITY	"ETIQ. ""SECURITE 5 LOGOS""Xce	1
16	522 99 23-01	0341000068	Rubber hand side grip	POIGNEE ELASTO D25 avec lèvre	2
17	519 65 30-60	0341000007	TRANSMISSION PULLEY	POULIE POLYA. xINV MECAX	1
18	519 65 34-57	0341000003	CLUTCH RUNNER ROUL 6200 ZZ	GALET 2 EPAULEMENTS ROUL 6200 ZZ	1
19	580 31 93-01	0340010120	Eco max bracket cover orange RAL 2009	CAPOT POTENCE ECOMAX ORANGE RAL2009	1
20	531 00 82-08	0340010089	Evo interior hide	CACHE INT CAPOT ECO+/ Evo	1
21	531 00 82-07	0340010007	BELT COVER ORANGE RAL2009	CAPOT COURROIE ECO+99 xORANGE RAL2009	1
22	531 00 85-82	0330032001	EXHAUST GRILL EP	GRILLE ECHAPPEMENT EP	1
23	519 65 30 -28	0320010022	LEFT TWIN TINES D25 STRAIGHT BLADE (40X4)	FRAISE DEPART MONO STD 40X4 GAUCHE	1
24	519 65 30-29	0320010021	RIGHT TWIN TINES D25 STRAIGHT BLADE (40X4)	FRAISE DEPART MONO STD 40X4 DROIT	1
25	531 00 82-14	0320010016	LEFT ADDITIONAL TINE D25 STRAIGHT BLADE (40X4)	FRAISE ADDIT STD 40X4 GAUCHE	1
26	531 00 82-15	0320010015	RIGHT ADDITIONAL TINE D25 STRAIGHT BLADE (40X4)	FRAISE ADDIT STD 40X4 DROIT	1
27	531 00 85-22	0320010008	LEFT ADDITIONAL TINE D25 HELICOID BLADE (40X4)	FRAISE ADDIT HEL 40X4 GAUCHE	1
28	531 00 85-23	0320010007	RIGHT ADDITIONAL TINE D25 HELICOID BLADE (40X4)	FRAISE ADDIT HEL 40X4 DROIT	1
29	531 00 85 21	0320010006	RIGHT TINE REMOVABLE D25 HELICOID BLADE (40X4)	FRAISE DEPART DEM HEL 40X4 DROIT	1
30	531 00 85 20	0320010005	LEFT TINE REMOVABLE D25 HELICOID BLADE (40X4)	FRAISE DEPART DEM HEL 40X4 GAUCHE	1
31	519 65 33-62	0320010001	DISK D25	DISQUE D25 PRIMO	2
32	577 52 50-01	0308040050	Throttle cable Lg 1050mm stroke 60mm	CABLE GAZ x1050 xLF60 Z0° MANETTE LGC	1
33	577 54 74-01	0308020055	Clutch cable	CABLE EMB LG935 CF286 LAKS EMB METAL	1
34	580 31 75-01	0308010014	SELECT SPEED CABLE LASC HANDLEVER	CABLE INVERS VITESSE Motob LASC	1
35	577 45 30-01	0307020023	THROTTLE LEVER LGC BLACK KNOB RAL9005	MANETTE GAZ LGC POMMEAU NOIR RAL9005	1
36	580 31 72-01	0307010039	Brake lever LASC55R00 Ø25 S25	LEVIER FREIN LASC55R00 C25 D25	1
37	577 54 87-01	0307010034	HANDLEVER LAKS C27 D25 CLUTCHING SYMBOL	LEVIER EMB LAKS C27 GUID D25 TEMPO EMBRAYAGE	1
38	544 24 39-01	0306060005	ENGINE PULLEY D55 BORE Ø19,06	POULIE MOT D55 ALES 19,06	1
39	519 65 30-92	0306040001	GEAR BOX 1 FRONT SPEED+1 REVERSE SPEED	INVERSEUR MOTOBINEUSE	1
40	575 36 02-01	0306030002	BELT BAREBACK 6841Gts A39 BBK	COURROIE BAREBACK 6841 Gts A39 BBK	1
41	519 65 30-90	0305020005	SPRING CP 21 25/10 GALVA LEVIER EMBR xMECA00x	RESSORT CP 21 25/10 GALVA LEVIER EMBR xMECA00	1
42	580 31 56-01	0304000303	DRIVE BELT ENGINE PULLEY	GUIDE COURROIE Ø55 carter 8/37	1
43	519 65 34-15	0303000007	FILLER PIECE	PIECE INTERMEDIAIRE Avec logem ergot rotation	1
44	519 65 34-14	0302020037	TIGHTENING LEVER SPACER	ENTRETOISE POIGNEE SERRAGE	1
45	575 36 05-01	0302020020	Clutch lever spacer	ENTRET. LEV EMB xMECAx PA6.6 12x20 LG 24	1
46	575 36 10-01	0302020015	SPACER 14x9x35 xZ	ENTR. 14x9x35 xZNCR3x ENTRETOISE CHASSIS	1
47	531 00 82-16	0302020010	Spacer Ø13 x Ø9 x 8.5	ENTR. 13x9x8.5 ZN	2
48	519 65 30-67	0302010021	PULLEY PIN SHAFT MECANIQUE	AXE FIXATION POULIE INVERSEUR MECANIQUE	1
49	519 65 34-66	0301070001	CIRCLIP E13	CIRCLIP EXTERIEUR 13	1
50	544 31 11-01	0301060003	COLLAR	COLLIER POLYAM.3.6 X 140 NOIR	2
51	519 65 34-25	0301050001	CLIPS 4.2	CLIPS PRESTOLE Z/VIS 4.2 EP 4	3
52	519 65 30-21	0301040001	KEY 4.76X4.76X40 DRO TOL h 9 - XC 48	CLAVETTE 4.76X4.76 40 BTS DRO TOL h 9 - XC 48	1
53	577 45 36-01	0301010014	CLIP PIN D10 x 36	GOUPILLE CLIPS 10 x 36	2
54	577 45 35-01	0301010013	CLIP PIN D8 x 36	GOUPILLE CLIPS 8 x 36	4
55	531 00 82-37	0300801401	HANDLEBAR TIGHTENING LEVER	POIGNEE SERRAGE M14x150 EMBOUT NOIR	1
56	519 65 34-53	0300401201	PLATE WASHER M 12X27X2.5 Z NFE 25513	RONDELLE PLATE M 12X27X2.5 Z NFE 25513	1
57	544 20 81-01	0300400802	PLATE WASHER M 8X18X1.5 Z NFE 25513	RONDELLE PLATE M 8X18X1.5 Z NFE 25513	5
58	519 65 34-30	0300260801	NUT H M8 Z NOTCHED SHOULDER	ECROU HM 8 ZEMB CR DIN 6923-8	6
59	519 65 34-32	0300260601	NUT H M6 Z NOTCHED SHOULDER	ECROU HM 6 ZEMB CR DIN 6923	7
60	531 00 85-78	0300211402	Blocking nut M 14 Z DIN 985-8	ECROU FREIN M14 Z DIN 985-8	1
61	752 25 50-51	0300211201	BLOCKING NUT M 12 Z	ECROU FREIN M 12 Z DIN 985/8	2
62	519 65 34-58	0300211001	BLOCKING NUT M 10 Z	ECROU FREIN M 10 Z DIN 985/8	1
63	544 20 79-01	0300210802	BLOCKING NUT HM 8 Z DIN 985/8	ECROU FREIN M 8 Z DIN 985/8	5

# REPAIR PARTS

TILLER - MODEL NO. TF 324, TF 334

KEY NO.	PART NO.	REF.	DESCRIPTION	DESIGNATION	QTY QTE
64	732 26 16-01	0300210602	BLOCKING NUT M 6 Z	ECROU FREIN M 6 Z DIN 985-8	1
65	519 65 34-56	0300201002	NUT HM 10Z	ECROU H.U. M 10 Z DIN 934	1
66	577 45 38-01	0300080610	SCREW TBCC M6X45 Z	VIS TRCC 6 X 45/20 Z Din603	1
67	519 65 34-26	0300080405	SCREW POZI 4.2X16Z	VIS TOLE TETE POELIER D11 POZI Cr 4.2X16 Z	3
68	576 14 52-01	0300080404	SHEET SCREW TCB 4.8 X 9.5	VIS TOLE TCB 4.8X9.5 DIN 7981	1
69	519 65 34-12	0300060503	SCREW 5/16 TH24 UNF LG 25 NOTCHED SHOULDER	VIS 5/16 TH24 UNF1"(LG25)EMB C EMBASE CRANTEE 18	2
70	728 69 23-00	0300040801	SCREW ST HC M8X16 DIN 914 45H	VIS STHC 8 X 16 N BT POINTU DIN 914 45H	1
71	531 00 82-20	0300011401	Screw H M14x90-34 z cl 8.8 NFE 24014 - ISO 4014	VIS H 14 X 90/34 Z CL 8.8 NFE 24014 - ISO 4014	1
72	575 36 18-01	0300011205	Screw H M12 x 60 z	VIS H 12 X 60/30 N DIN931/6.8	1
73	519 65 34-55	0300011003	SCREW HM 10X35Z FST	VIS H 10 X 35 FST Z NFEN 24017	1
74	575 36 16-01	0300010837	SCREW H 8x55 Z DIN 6921 NOTCHED SHOULDER CL 6.8	VIS H 8x55 Z EMB CR DIN 6921 CL 6.8 FILETAGE PARTIEL	4
75	519 65 34-13	0300010817	SCREW H M8 X 40	VIS H 8x40 Z EMB CR DIN 6921	4
76	531 00 82-02	0300010815	SCREW H M8X16 Z NOTCHED SHOULDER CL 6.8	VIS H 8x16 Z EMB CR DIN 6921 CL 6.8	2
77	519 65 30-45	0300010804	Screw HM 8x110 z	VIS HM8x110/22Z ISO 4014 CL8.8	1
78	576 14 54-01	0300010610	Screw HM 6x20 notched shoulder	VIS H 6x20 Z EMB CR DIN 6921	1
79	519 65 34-35	0300010609	SCREW HM 6X16 Z NOTCHED SHOULDER	VIS H 6x16 Z EMB CR DIN 6921	6
80	531 00 85-47	0001000030	Left spiral blade	COUTEAU HEL 40X4 GAUCHE	1
81	531 00 85-48	0001000029	Right spiral blade	COUTEAU HEL 40X4 DROIT	1
82	519 65 34-47	0001000021	Blade LH 40x4	COUTEAU PRIMO 40X4 D 320 GAUC	1
83	519 65 34-48	0001000020	Blade RH 40x4	COUTEAU PRIMO 40X4 D 320 DROI	1
200	519 65 30-42	3002000313	LEFT TRANSMISSION HOUSING 1/5 BLACK x COMPACT	JOUE CARTER ECO (Ø 65) 1/5 G GAUCHE NOIR	1
201	519 65 30-41	3002000312	RIGHT TRANSMISSION HOUSING 1/5 BLACK x COMPACT	JOUE CARTER ECO (Ø 65) 1/5 D DROITE NOIR	1
202	519 65 30-43	3002002401	FLANGE 1/5 x ORANGE RAL2004	JONC CARTER 1/5 ORANGE	1
203	531 00 85-76	0341000059	Seal	Joint carter 1/5 Ø62 x Ø25	2
204	519 65 33-91	0341000014	GREASE CAP	CAPE BOUCHON SR1011 M16	2
205	519 65 30-06	0341000001	PLASTIC SPACER FOR TRANSMISSIO COMPACT	ENTRETOI. PLASTIQ CART. 1/5	1
206	519 65 30-57	0306050016	PIGNON 8 TOOTH 12.7 RIBBED	PIGNON 8 DTS 12.7 SIMPLE cannelé	1
207	519 65 30-07	0306050010	BLADE SHAFT 1/5 D 40 DTS 12.7/MODIF	ARBRE TRAVAIL 1/5 SOUDE AVEC D 40 DTS 12.7/MODIF	1
208	575 36 23-01	0306020022	CHAIN (80 LINKS RSF) 08B	CHAINE ISO 08B-1 pas 12.7mm "80 maillons RSF (Marquée : ""	1
209	505 54 40-01	0306010024	SPECIAL BALL BEARING 2RS	ROULEMENT SPECIAL TYPE 62042RS	1
210	519 65 30-53	0306010020	BALL BEARING 6305 2RS	ROULEMENT 6305 2 RS cl: 0	2
211	531 00 85-46	0306010016	SPECIAL BALL BEARING 6204 2RS	ROULEMENT 6204 2RS EPAULE	1
212	732 26 16-01	0300210602	BLOCKING NUT M 6 Z	ECROU FREIN M 6 Z DIN 985-8	1
213	501 96 38-01	0300020607	SCREW CHC 6 X 55 Z	VIS CHC 6 X 55 Z	1
300	519 65 34-60	3002000308	Black front wheel bracket	SUPPORT ROUE TRANSPORT PRIMO NOIR	1
301	519 65 32-59	0309000013	BLACK WHELL D200 BORE 12 LG.60	ROUE 200 ALES 12 MOY 60 NOIR	1
302	519 65 02-60	0305010002	Wheel spring	RESSORT TR 15x102 18/10 ROUE AVANT	1
303	519 65 34-62	0300461001	Starlock washer Ø10	RONDELLE STARLOCK Ø10	1
304	752 25 50-51	0300211201	BLOCKING NUT M 12 Z	ECROU FREIN M 12 Z DIN 985/8	1
305	519 65 34-58	0300211001	BLOCKING NUT M 10 Z	ECROU FREIN M 10 Z DIN 985/8	1
306	519 65 31-31	0300011206	SCREW H M 12X80/30 Z ISO4014	VIS H M 12x80/30 Z ISO 4014 CL 6.8	1
307	519 65 30-46	0300011007	Screw H M 10x55 Z	VIS H M 10x55/26 Z ISO 4014 cl 6.8	1