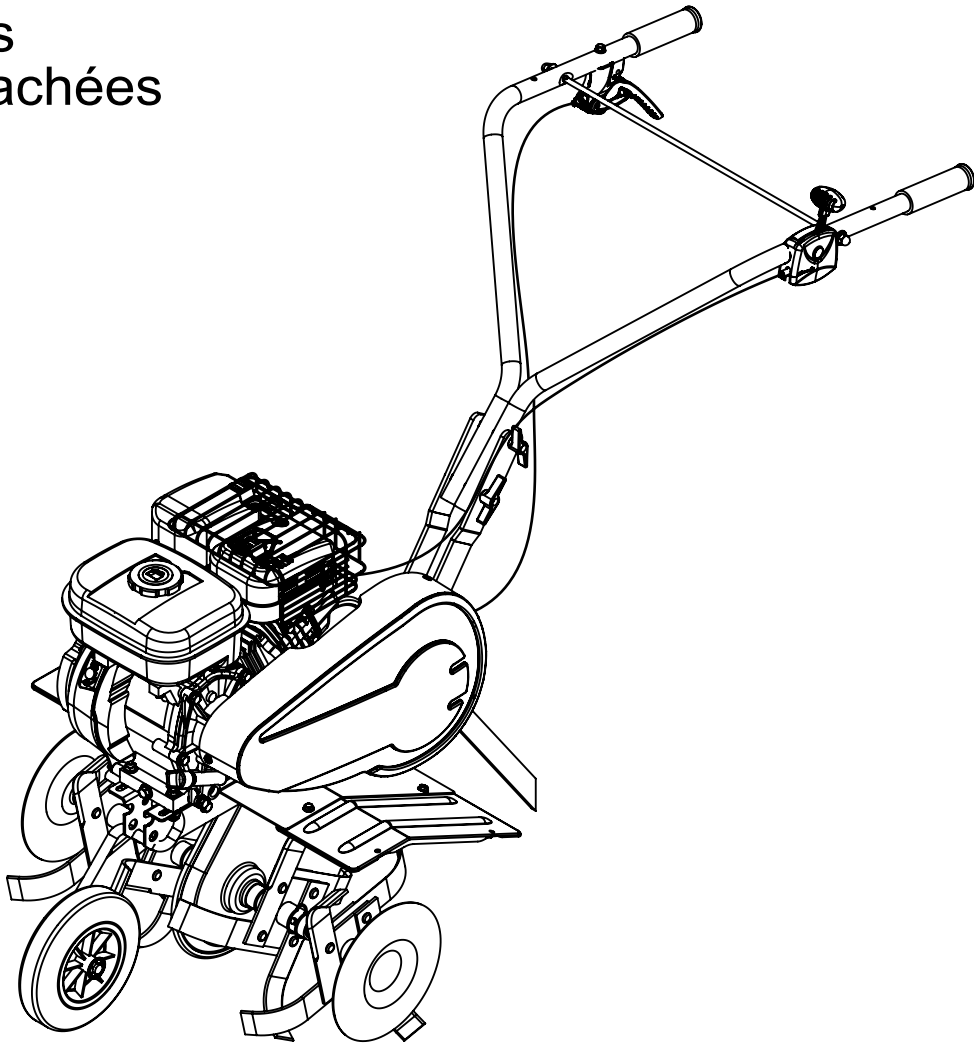


# T40M TF 224

Spare parts  
Pièces détachées

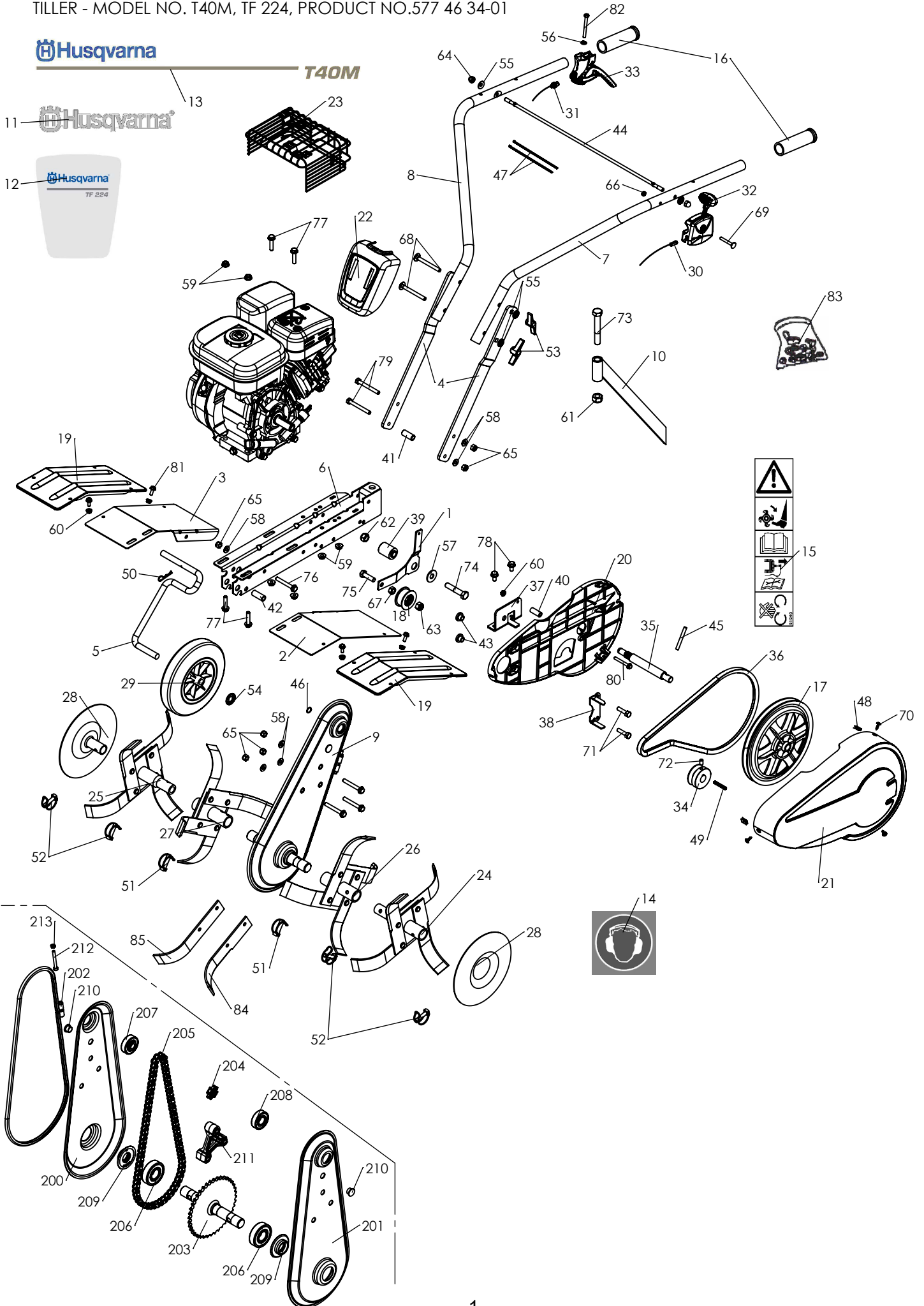
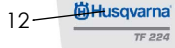


REPAIR PARTS

TILLER - MODEL NO. T40M, TF 224, PRODUCT NO.577 46 34-01



T40M



# REPAIR PARTS

TILLER - MODEL NO. T40M, TF 224, PRODUCT NO.577 46 34-01

KEY NO	REF.	PART NO.	DESIGNATION	DESCRIPTION	ENGINE MOTEUR	QTY QTE
1	3002170101	577 45 33-01	LEVIER D'EMB COMPACT EVO	PLATE FOR CLUTCH LEVER		1
2	3002170604	577 45 26-01	TOLE PROTECTION GAUCHE Gris (627)	LEFT TINE GUARD COMPACT EVO Grey (627)		1
3	3002170603	577 45 25-01	TOLE PROTECTION DROITE Gris (627)	RIGHT TINE GUARD COMPACT EVO Grey (627)		1
4	3002170602	577 44 81-01	PLAT POTENCE GUID 40x6 Gris (627)	HANDLEBAR BRACKET 40x6 Gris (627)		2
5	3002000107	577 44 80-01	SUPPORT ROUE FIL DIA14 ZNCR3	TRANSPORT WHEEL SUPPORT WIRE D14 ZNCR3		1
6	3002170601	577 44 71-01	CHASSIS COMPACT EVO Gris (627)	FRAME OF COMPACT EVO Gris (627)		1
7	3002110608	575 35 91-01	GUIDON GAUCHE COMPACT x G627 ENTRAXE 500MM	LEFT HANDELBAR x GREY (627) WITH GAP 500MM		1
8	3002110609	575 35 90-01	GUIDON DROIT COMPACT x G627 ENTRAXE 500MM	RIGHT HANDELBAR x GREY (627) WITH GAP 500MM		1
9	3001000027	575 35 87-01	CART 1/5 JONC xGRIS8x /Jt Bleu/Ch Elite	Transmission, Grey flanged		1
10	3002000302	531 00 82-06	EPERON PRIMO NOIR	BLACK SPUR FOR PRIMO		1
11	0503060022	580 32 06-01	ETIQUETTE HUSQVARNA	STICKER HUSQVARNA		1
12	0503060018	580 47 79-01	ETIQ HUSQVARNA TF224	STICKER HUSQVARNA TF224		1
13	0503060017	575 36 20-01	ETIQ HUSQVARNA T40M	STICKER x HUSQVARNA T40M		1
14	0503000077	577 46 33-01	ETIQ. "SECURITE" 31x31 MM PROTECTION AUDITIVE	SAFTY STICKER EARS PROTECTION		2
15	0503000036	531 00 85-40	"ETIQ. ""SECURITE 5 LOGOS""Xce	STICKER SECURITY		1
16	0341000037	544 31 14-01	POIGNEE PLASTIQUE DIAM 25 CB	HAND SIDE GRIP		2
17	0341000007	519 65 30-60	POULIE POLYA. xINV MECAX	TRANSMISSION PULLEY		1
18	0341000003	519 65 34-57	GALET 2 EPAULEMENTS ROUL 6200 ZZ	CLUTCH RUNNER ROUL 6200 ZZ		1
19	0340010096	577 45 27-01	EXTENTION TOLE PROT COMPACT EV ORANGE RAL2009	ADD. TINE GUARD COMPACT EVO ORANGE RAL2009		2
20	0340010065	575 36 03-01	CACHE INT COMPACT xMAVx	PLASTIC COVER PLATE COMPACT		1
21	0340010007	531 00 82-07	CAPOT COURROIE ECO+99 xORANGE RAL2009	BELT COVER ORANGE RAL2009		1
22	0340000013	580 47 78-01	CAPOT POTENCE COMPACT EVO ORANGE RAL2009	BRACKET COVER COMPACT EVO ORANGE RAL2009		1
23	0330082002	575 36 04-01	GRILLE ECHAPP GT400	EXHAUST GRILL GT400		1
24	0320010016	531 00 82-14	FRAISE ADDIT STD 40X4 GAUCHE	LEFT ADDITIONAL TINE D25 STRAIGHT BLADE (40X4)		1
25	0320010015	531 00 82-15	FRAISE ADDIT STD 40X4 DROIT	RIGHT ADDITIONAL TINE D25 STRAIGHT BLADE (40X4)		1
26	0320010014	531 00 82-11	FRAISE DEPART DEM STD 40X4 GAUCHE	LEFT TINE REMOVABLE D25 STRAIGHT BLADE (40X4)		1
27	0320010013	531 00 82-13	FRAISE DEPART DEM STD 40X4 DROIT	RIGHT TINE REMOVABLE D25 STRAIGHT BLADE (40X4)		1
28	0320010001	519 65 33-62	DISQUE D25 PRIMO	DISK D25		2
29	0309000030	577 44 78-01	ROUE 200 ALES 14 MOY 60 NOIR	BLACK WHELL D200 BORE 14 LG.60		1
30	0308040050	577 52 50-01	CABLE GAZ x1050 xLF60 Z0° MANETTE LGC	Throttle cable Lg 1050mm stroke 60mm	EP16	1
30	0308040052	577 45 31-01	CABLE GAZ x1250 xLF60 Z0° MANETTE LGC	Throttle cable Lg 1250mm stroke 60mm	GT400	1
31	0308020052	577 46 37-01	CABLE EMB Lg 1050 CF 133 LAKS EMB CLIP	CLUTCH CABLE LG1050 CF130 LAKS LEVER x CLIP TIP		1
32	0307020023	577 45 30-01	MANETTE GAZ LGC POMMEAU NOIR RAL9005	THROTTLE LEVER LGC BLACK KNOB RAL9005		1
33	0307010030	577 46 36-01	LEVIER EMB LAKS C27 ECROU M6 TEMPO EMBRAYAGE	HANDLELEVER LAKS C27 NUT M6 CLUTCHING SYMBOL		1
34	0306060005	544 24 39-01	POULIE MOT D55 ALES 19,06	ENGINE PULLEY D55 BORE Ø19,06		1
35	0306050001	519 65 30-65	ARBRE PRIMAIRE CANNELE MAV	FORWARD GEAR SHAFT MAV		1
36	0306030002	575 36 02-01	COURROIE BAREBACK 6841 Gts A39 BBK	BELT BAREBACK 6841Gts A39 BBK		1
37	0304000221	575 36 01-01	EQUERRE SUPPORT LEVIER EMBR COMPACT	SUPPORT FOR CLUTCH LEVER COMPACT		1
38	0304000035	531 00 85-77	GUIDE COURROIE POULIE D55	DRIVE BELT ENGINE PULLEY D55		1
39	0302020106	577 45 34-01	ENTR. LEVIER EMBR FT	SPACER FOR CLUTCH LEVER FT		1
40	0302020090	575 36 06-01	ENTR 6.2x12x30 S300Pb Zn blanc	SPACER 6.2x12x30 Z		1
41	0302020082	575 36 09-01	ENTR. 14x9x34 xZNCr3	Spacer Ø9 x Ø14 x 34z		1
42	0302020015	575 36 10-01	ENTR. 14x9x35 xZNCr3x ENTRETOISE CHASSIS	SPACER 14x9x35 xZ		1
43	0302020011	575 36 11-01	ENTRET EPAUL D13 d9 Lg12,5	SPACER SHOULDER 13x9x12.5 Z		2
44	0302010097	577 45 24-01	BARRE GUIDON COMPACT FILETEE ENTRAXE 500MM	HANDELBAR TIE GAP 500MM		1
45	0302010021	519 65 30-67	AXE FIXATION POULIE INVERSEUR MECANIQUE	PULLEY PIN SHAFT MECANIQUE		1
46	0301070001	519 65 34-66	CIRCLIP EXTERIEUR 13	CIRCLIP E13		1
47	0301060003	544 31 11-01	COLLIER POLYAM.3.6 X 140 NOIR	COLLAR		4
48	0301050001	519 65 34-25	CLIPS PRESTOLE Z/VIS 4.2 EP 4	CLIPS 4.2		3
49	0301040001	519 65 30-21	CLAVETTE 4.76X4.76X 40 BTS DRO TOL h 9 - XC 48	KEY 4.76X4.76X40 DRO TOL h 9 - XC 48		1
50	0301030001	519 65 12-20	GOUPILLE BETA 2 Z x 50	CLIP PIN BETA 2 Z		1
51	0301010014	577 45 36-01	GOUPILLE CLIPS 10 x 36	CLIP PIN D10 x 36		2
52	0301010013	577 45 35-01	GOUPILLE CLIPS 8 x 36	CLIP PIN D8 x 36		4
53	0300800004	531 00 84-62	POIGNEE SERR HELICO 68M8F10 NOIR M8 PA6.6	Black handlebar tightening lever		2
54	0300461401	577 46 31-01	RONDELLE STARLOCK DIA 14	STARLOCK WASHER DIA 14		1
55	0300430801	544 31 49-01	RONDELLE CONTACT M8 NFE E 25511	CONTACT WASHER 8		4
56	0300430601	531 00 94-03	RONDELLE CONTACT 6 BIC NFE 25-511	CONTACT WASHER 6		1
57	0300401202	577 45 39-01	RONDELLE PLATE M 12X32X2.5 Z	PLATE WASHER M 12X32X2.5 Z		1
58	0300400802	544 20 81-01	RONDELLE PLATE M 8X18X1.5 Z NFE 25513	PLATE WASHER M 8X18X1.5 Z NFE 25513		8
59	0300260801	519 65 34-30	ECROU HM 8 ZEMB CR DIN 6923-8	NUT H M8 Z NOTCHED SHOULDER		6
60	0300260601	519 65 34-32	ECROU HM 6 ZEMB CR DIN 6923	NUT H M6 Z NOTCHED SHOULDER		5
61	0300211402	531 00 85-78	ECROU FREIN M14 Z DIN 985-8	Blocking nut M 14 Z DIN 985-8		1
62	0300211201	752 25 50-51	ECROU FREIN M 12 Z DIN 985/8	BLOCKING NUT M 12 Z		1
63	0300211001	519 65 34-58	ECROU FREIN M 10 Z DIN 985/8	BLOCKING NUT M 10 Z		1
64	0300210803	577 48 91-01	ECROU FREIN BORGNE M 8 Z DIN 986	Cap blocking nut M8z		2
65	0300210802	544 20 79-01	ECROU FREIN M 8 Z DIN 985/8	BLOCKING NUT HM 8 Z DIN 985/8		6
66	0300210602	732 26 16-01	ECROU FREIN M 6 Z DIN 985-8	BLOCKING NUT M 6 Z		1
67	0300201002	519 65 34-56	ECROU H.U. M 10 Z DIN 934	NUT HM 10Z		1
68	0300080802	575 36 13-01	VIS TRCC 8 X 80/20 Z DIN603	Screw TRCC M8x80 z DIN 603 cl 4.6		2
69	0300080610	577 45 38-01	VIS TRCC 6 X 45/20 Z Din603	SCREW TBCC M6X45 Z		1
70	0300080405	519 65 34-26	VIS TOLE TETE POELIER D11 POZI Cr 4.2X16 Z	SCREW POZI 4.2X16Z		3
71	0300060502	531 00 85-86	VIS 5/16 TH 24 UNF LONG 32 Z	SCREW 5/16 TH 24 UNF LG 32		2
72	0300040801	728 69 23-00	VIS STHC 8 X 16 N BT POINTU DIN 914 45H	SCREW ST HC M8X16 DIN 914 45H		1
73	0300011401	531 00 82-20	VIS H 14 X 90/34 Z CL 8.8 NFE 24014 - ISO 4014	Screw H M14x90-34 z cl 8.8 NFE 24014 - ISO 4014		1
74	0300011207	505 02 66-01	VIS H 12x60/30 Z DIN 931/6.8	SCREW H 12x60/30 Z DIN 931/6.8		1
75	0300011003	519 65 34-55	VIS H 10 X 35 FST Z NFN 24017	SCREW HM 10X35Z FST		1
76	0300010842	573 94 31-01	VIS H 8x60 Z EMB CR DIN 6921 CL 6.8	SCREW H 8x60 Z DIN 6921 NOTCHED SHOULDER CL 6.8		4
77	0300010834	544 20 73-01	VIS H 8x35 Z EMB CR DIN 6921	SCREW H 8x35 Z DIN 6921 NOTCHED SHOULDER CL 6.8		4
78	0300010815	531 00 82-02	VIS H 8x16 Z EMB CR DIN 6921 CL 6.8	SCREW H M8X16 Z NOTCHED SHOULDER CL 6.8		2
79	0300010813	575 36 17-01	VIS H 8 X 70/22Z DIN 931/6.8	SCREW H 8 X 70/22Z DIN 931/6.8		2

# REPAIR PARTS

TILLER - MODEL NO. T40M, TF 224, PRODUCT NO.577 46 34-01

KEY NO	REF.	PART NO.	DESIGNATION	DESCRIPTION	ENGINE MOTEUR	QTY QTE
80	0300010618	577 45 37-01	VIS H 6x50 Z EMB CR DIN 6921	SCREW HM 6X50 NOTCHED SHOULD		1
81	0300010609	519 65 34-35	VIS H 6x16 Z EMB CR DIN 6921	SCREW HM 6X16 Z NOTCHED SHOULD		4
82	0300010606	519 65 31-13	VIS H 6X60 Z CL 6.8 NFEN 24017	SCREW H 6 X 60 Z CL 6.8 NFEN 24017		1
83	0300000030	577 46 32-01	POCH. VISS xCOMPACT EVO POIGNEE DE SERRAGE EN PA6.6	BAG OF SCREWS FOR FT		1
84	0001000021	519 65 34-47	COUTEAUX PRIMO 40X4 D 320 GAUC	Blade LH 40x4		1
85	0001000020	519 65 34-48	COUTEAUX PRIMO 40X4 D 320 DROI	Blade RH 40x4		1
200	3002000312	519 65 30-41	JOUE CARTER ECO (Ø 65) 1/5 D DROITE NOIR	RIGHT TRANSMISSION HOUSING 1/5 BLACK x COMPACT		1
201	3002000313	519 65 30-42	JOUE CARTER ECO (Ø 65) 1/5 G GAUCHE NOIR	LEFT TRANSMISSION HOUSING 1/5 BLACK x COMPACT		1
202	3002002401	519 65 30-43	JONC CARTER 1/5 ORANGE	FLANGE 1/5 x ORANGE RAL2004		1
203	0306050010	519 65 30-07	ARBRE TRAVAIL 1/5 SOUDE AVEC D 40 DTS 12.7/MODIF	BLADE SHAFT 1/5 D 40 DTS 12.7/MODIF		1
204	0306050034	519 65 30-57	PIGNON 8 DTS 12.7 SIMPLE CANNELE x BOITIER EVO	Sprocket wheel 8th pitch 12.7		1
205	0306020022	575 36 23-01	CHAINE ISO 08B-1 pas 12.7mm "80 maillons RSF (Marquée : ""	CHAIN (80 LINKS RSF) 08B		1
206	0306010020	519 65 30-53	ROULEMENT 6305 2 RS cl: 0	BALL BEARING 6305 2RS		2
207	0306010016	531 00 85-46	ROULEMENT 6204 2RS EPAULE	SPECIAL BALL BEARING 6204 2RS		1
208	0306010024	505 54 40-01	ROULEMENT SPECIAL TYPE 62042RS	SPECIAL BALL BEARING 2RS		1
209	0341000059	531 00 85-76	Joint carter 1/5 Ø62 x Ø25	Seal		2
210	0341000014	519 65 33-91	CAPE BOUCHON SR1011 M16	GREASE CAP		2
211	0341000001	519 65 30-06	ENTRETOI. PLASTIQ CART. 1/5	PLASTIC SPACER FOR TRANSMISSIO COMPACT		1
212	0300020607	501 96 38-01	VIS CHC 6 X 55 Z	SCREW CHC 6 X 55 Z		1
213	0300210602	732 26 16-01	ECROU FREIN M 6 Z DIN 985-8	BLOCKING NUT M 6 Z		1