

Gasoline containing up to 10% ethanol (E10) is acceptable for use in this machine. The use of any gasoline exceeding 10% ethanol (E10) will void the product warranty.

## **Parts Manual** **EZ4824 CA / 966659501**



Please read the operator manual carefully and make sure you understand the instructions before using the machine.

When you need spare parts or support in service questions, warranty issues, etc., please consult the following professional:

This manual belongs to the machine with the manufacturing number:	Engine	Transmission

**Manufacturing Number**

The machine’s manufacturing number is on the printed plate affixed to the engine compartment.

Stated on the plate, from the top are:

- The machine’s type designation (I.D.).
- The manufacturer’s type number (Model).
- The machine’s serial number (Serial no.)

*Please have the type designation and serial number available when ordering spare parts.*

The engine’s manufacturing number is stamped on one of the valve covers.

The plate states

- The engine’s model.
- The engine’s type.
- Code

*Please have these available when ordering spare parts.*

The wheel motors and hydrostatic pumps have a barcode decal affixed at the rear.

<b>Accessories Available</b>	
Collection System .....	966 792801
Mulch Kit.....	965 894003

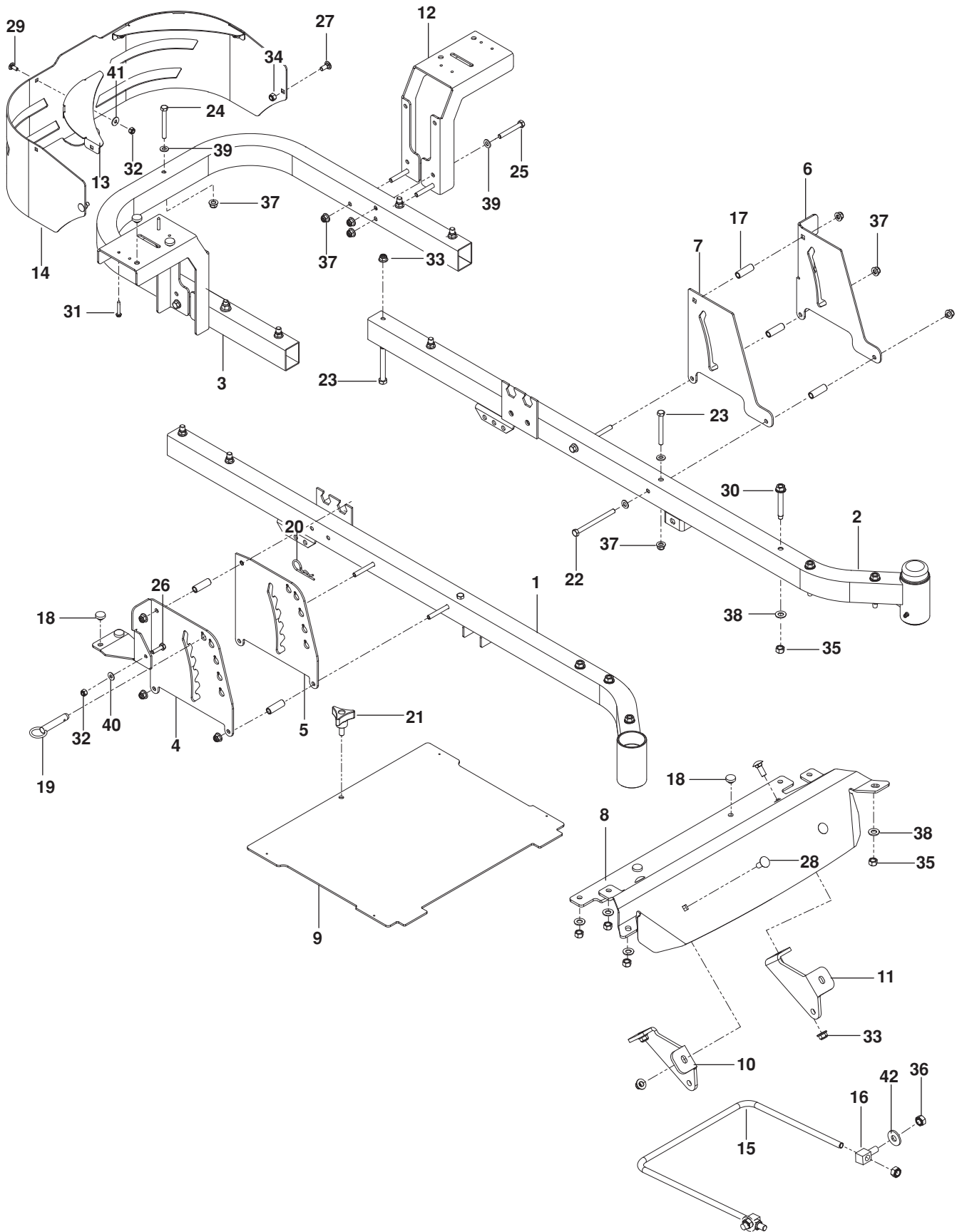
# CONTENTS

---

FRAME.....	4	DECALS.....	22
ENGINE PLATE.....	6	ACCESSORIES.....	24
STEERING .....	8	BLOWER.....	24
IGNITION.....	10	CHUTES .....	26
BRAKE / LIFT.....	12	BAGGER.....	28
HYDRAULIC PUMP / MOTOR.....	14	MOUNTS AND GUARDS.....	30
WHEELS AND TIRES.....	16	MULCH KIT .....	32
MOWER DECK / CUTTING DECK.....	18		
SEAT .....	20		

NOTE ALL FASTENERS ARE GRADE 5 UNLESS OTHERWISE SPECIFIED.

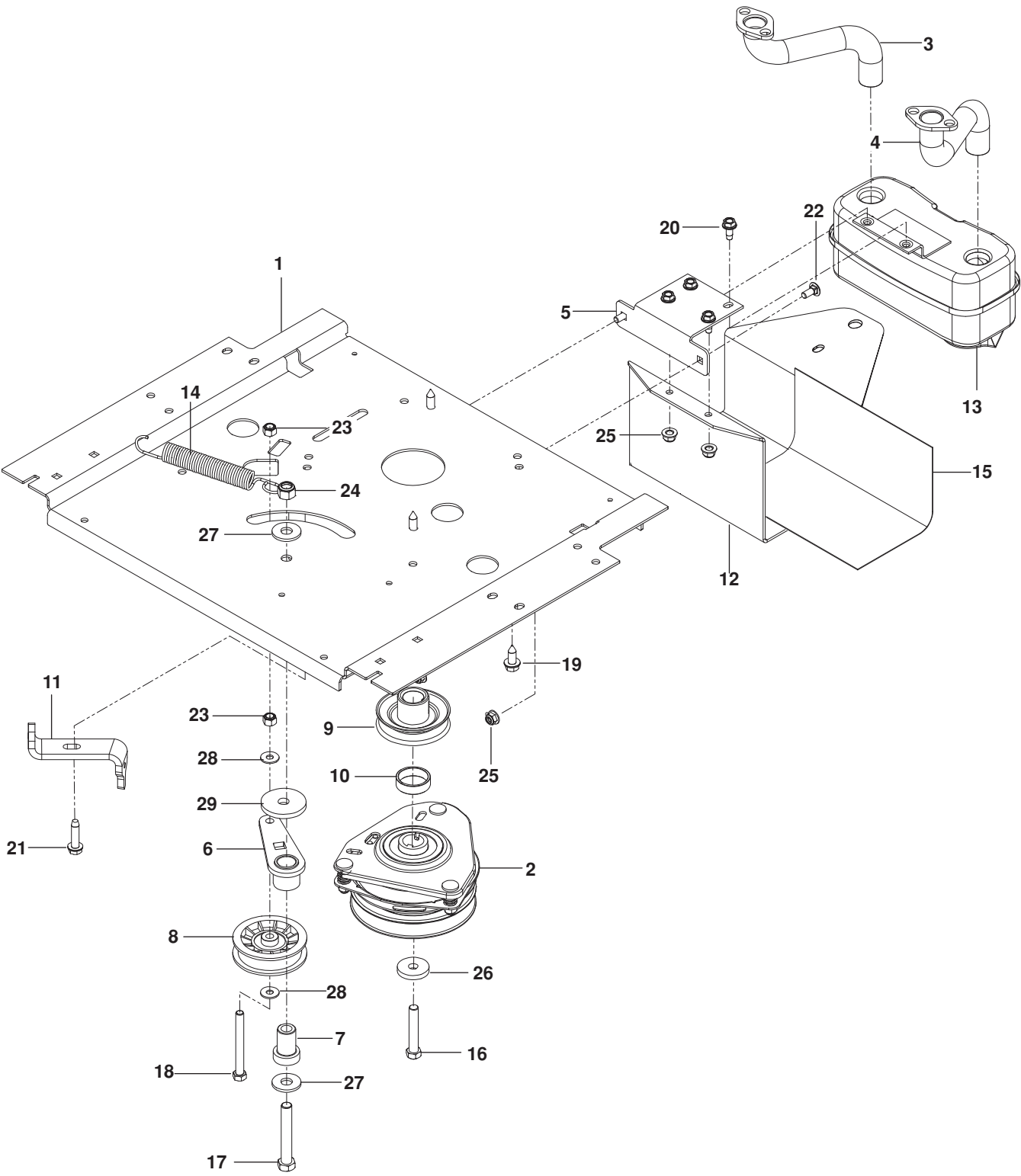
# FRAME



# FRAME

ITEM	PART NO.	QTY.	DESCRIPTION	ITEM	PART NO.	QTY.	DESCRIPTION
1..	510 177503....	1....	FRAME, FRONT RT ORG	22..	539 102335....	4....	HCS $5/16$ -18 x 4
2..	510 177403....	1....	FRAME, FRONT LT ORG	23..	539 101341....	8....	HCS $3/8$ -16 x 3
3..	516 001803....	1....	FRAME, REAR ORG	24..	539 101721....	3....	HCS $5/16$ -18 x $2\frac{3}{4}$
4..	510 245604....	1....	PLATE, HEIGHT ADJ BLK	25..	539 976938....	6....	HCS $5/16$ -18 x $2\frac{1}{4}$
5..	510 240502....	1....	PLATE, INNER HEIGHT BLK	26..	539 977761....	2....	HCS $1/4$ -20 x 1
6..	510 261802....	1....	PLATE, OUTER BRAKE BLK	27..	539 990316....	2....	RHSNB $5/16$ -18 x $3/4$
7..	510 206703....	1....	PLATE, BRAKE LATCH BLK	28..	539 990645....	4....	RHSNB $3/8$ -16 x 1
8..	522 719502....	1....	FOOT REST ORG	29..	539 111786....	6....	RHSSNB $1/4$ -20 x $5/8$
9..	522 842901....	1....	FOOT PLATE w/DECALS ORG	30..	539 111976....	6....	BOLT $3/8$ -16 x $2\frac{5}{8}$ THD FRM
10..	522 443302....	1....	MOUNT, STRUT, RT	31..	539 110674....	4....	SCREW 10-12 x $1\frac{1}{4}$ WSH HD
11..	522 443304....	1....	MOUNT, STRUT, LT	32..	539 976978....	8....	NUT $1/4$ -20 HEX NYLOC
12..	510 225902....	2....	SUPPORT, FENDER BLK	33..	521 996501..	10....	NUT $3/8$ -16 HEX FLG NYLOC
13..	516 016402....	1....	SUPPORT, CORNER ORG	34..	539 990717....	6....	NUT $5/16$ -18 HEX NYLOC
14..	516 016302....	1....	GUARD, WIDE ENGINE ORG	35..	539 200282....	6....	NUT $3/8$ -16 HEX JAM NYLOC
15..	521 938101....	1....	LINK, FRONT SUSPENSION	36..	539 119124....	4....	NUT $7/16$ -14 HEX NYLOC
16..	522 924201....	2....	SWIVEL	37..	539 112899..	15....	NUT $5/16$ -18 HEX FLG NYLOC
17..	515 988101....	6....	SPACER $1/2$ OD x $1\frac{1}{2}$	38..	539 990517....	6....	WASHER $3/8$ STD FLT
18..	539 102587....	6....	GROMMET, BUMPER	39..	539 990188..	18....	WASHER $5/16$ SAE FLAT
19..	539 102526....	1....	LIFT PIN	40..	539 990055....	2....	WASHER $1/4$ FLAT SAE
20..	539 976989....	1....	HAIRPIN	41..	539 990598....	6....	WASHER $1/4$ FLAT
21..	539 104411....	1....	KNOB w/ STUD	42..	539 109554....	2....	WASHER $1/2$ FLAT

# ENGINE PLATE

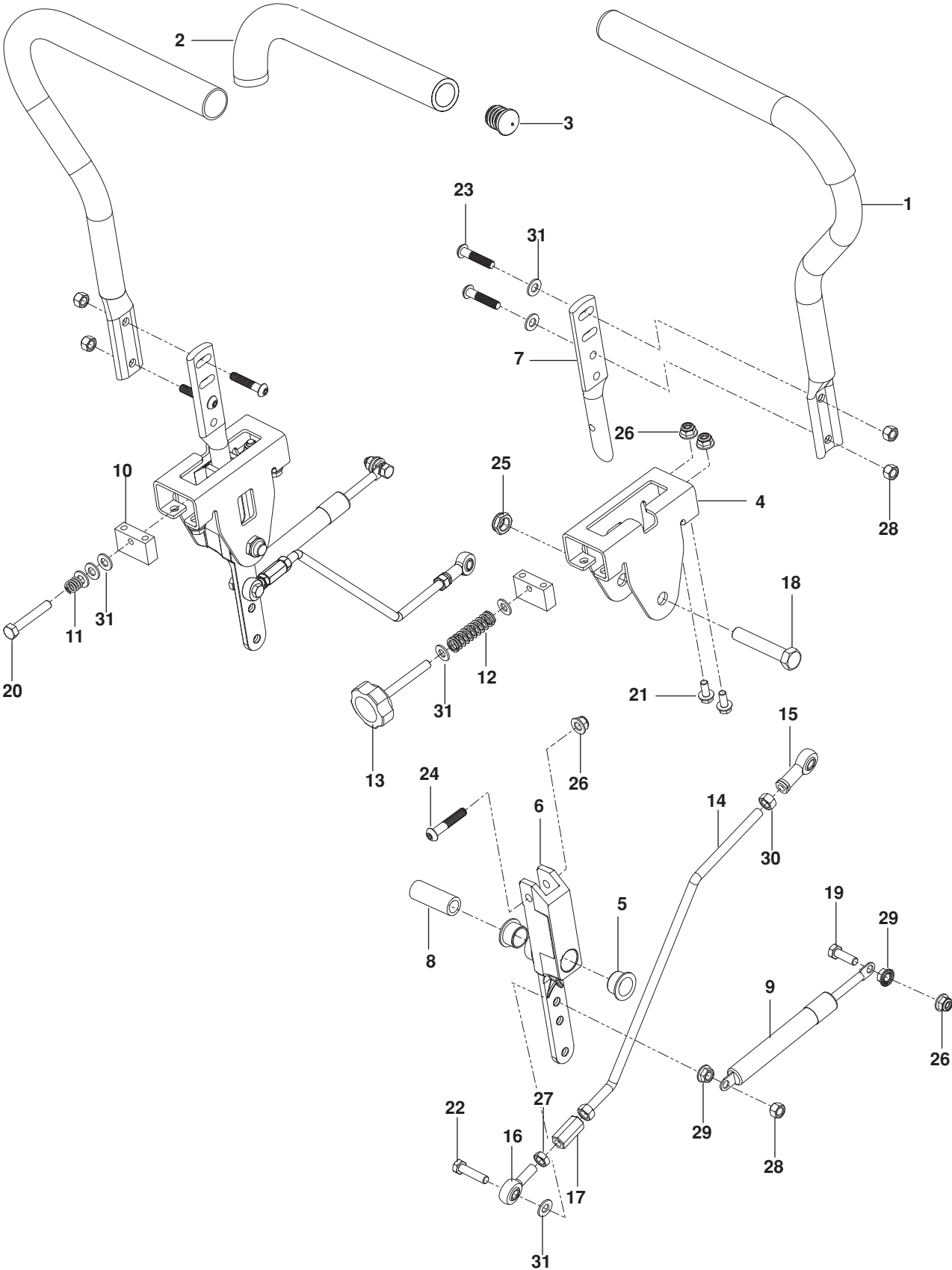


# ENGINE PLATE

---

ITEM	PART NO.	QTY.	DESCRIPTION	ITEM	PART NO.	QTY.	DESCRIPTION
1..	578 118202....	1....	PLATE, ENGINE BLK	17..	539 103433....	1....	HCS 1/2-13 x 3/4
2..	532 400008....	1....	CLUTCH	18..	539 109389....	1....	HCS 3/8-16 x 3 1/2
3..	532 159955....	1....	EXHAUST TUBE, RT	19..	532 120616....	3....	HHFS 3/8-16 x 1 THD FRM
4..	532 160589....	1....	EXHAUST TUBE, LT	20..	539 107475....	4....	BOLT 5/16-18 x 3/4 THD FRM
5..	510 260402....	1....	BRACKET, MUFFLER BLK	21..	539 110025....	4....	BOLT 5/16-16 x 1 1/2 THD FRM
6..	539 112092....	1....	ARM, IDLER	22..	539 990316....	2....	RHSNB 5/16-18 x 3/4
7..	539 101231....	1....	SPINDLE, IDLER	23..	539 976979....	2....	NUT 3/8-16 HEX NYLOC
8..	539 110311....	1....	PULLEY, IDLER	24..	539 101331....	1....	NUT 1/2-13 HEX NYLOC
9..	539 114530....	1....	PULLEY, ENGINE	25..	539 112899....	6....	NUT 5/16-18 HEX FLG NYLOC
10..	577 094601....	1....	SPACER	26..	539 110064....	1....	WASHER, CLUTCH
11..	522 459710....	1....	STOP, CLUTCH BLK	27..	539 109554....	2....	WASHER 1/2 FLT
12..	510 260502....	1....	GUARD, MUFFLER BLK	28..	539 990692....	2....	WASHER 5/16 STD FLT
13..	539 131604....	1....	MUFFLER ASSY TWIN	29..	539 112670....	1....	WASHER, HEAVY
14..	532 196105....	1....	SPRING, DECK DRIVE	NOT SHOWN			
15..	539 132859....	1....	SHIELD, HEAT		532 198316....	1....	HARNES, ADAPTOR
16..	576 968001....	1....	HCS 7/16-20 x 2 1/2				

# STEERING



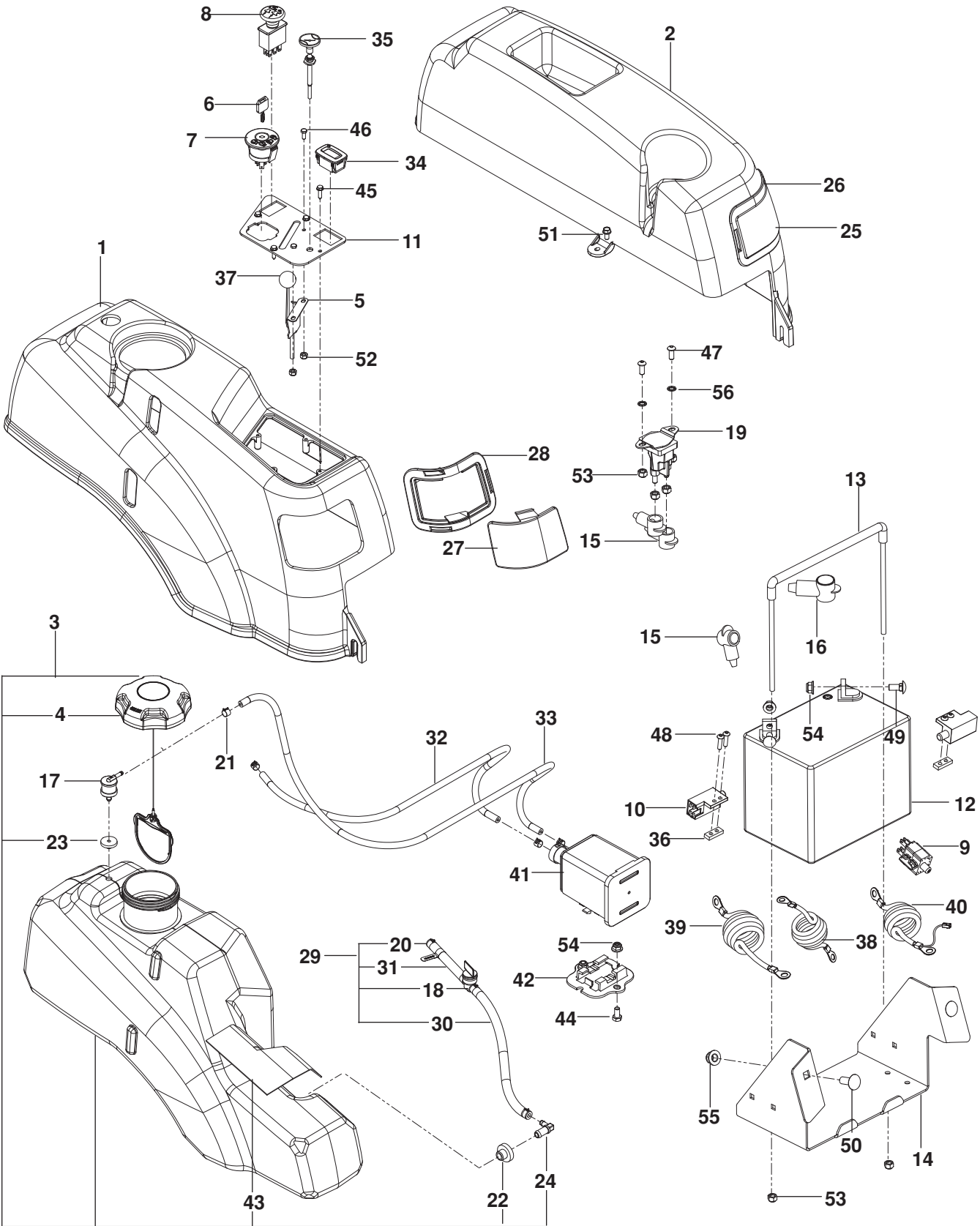


# STEERING

---

ITEM	PART NO.	QTY.	DESCRIPTION	ITEM	PART NO.	QTY.	DESCRIPTION
1..	579 090901....	2....	LEVER w/ GRIP	17..	539 116689....	2....	COUPLER, ROD END
2..	539 122635....	2....	GRIP, FOAM	18..	539 101332....	2....	HCS 1/2-13 x 2 3/4
3..	539 122636....	2....	PLUG	19..	539 990209....	2....	HCS 5/16-18 x 1
4..	577 251701....	2....	BRACKET, CONTROL	20..	539 976935....	1....	HCS 5/16-18 x 1 1/2
5..	539 131518....	4....	BEARING, FLANGE	21..	525 464701....	8....	HHFS 5/16-18 x 3/4
6..	576 140301....	2....	LEVER, CONTROL	22..	539 990669....	2....	HCS 5/16-18 x 1 3/4 TPBLT
7..	577 420001....	2....	LEVER, HANDLE	23..	578 296402....	4....	SCREW 5/16-18 X 1 1/2 BTN HD
8..	577 252401....	2....	SPACER, PIVOT CONTROL	24..	576 850402....	2....	SCREW 5/16-18 X 1 3/4 BTN HD
9..	539 102720....	2....	DAMPENER	25..	539 108010....	2....	NUT 1/2-13 HEX JAM NYL GR2
10..	577 251801 ...	2....	BLOCK, TRACKING	26..	539 112899..	12....	NUT 5/16-18 HEX FLG NYLOC
11..	539 102845....	1....	SPRING	27..	539 991073....	2....	NUT 5/16-24 HEX JAM LH
12..	576 850301....	1....	SPRING	28..	539 990717....	6....	NUT 5/16-18 HEX NYLOC
13..	539 131799....	1....	KNOB	29..	539 990585....	4....	NUT 5/16-18 HEX WHIZLK
14..	522 656101....	2....	ROD, MOTION CONTROL	30..	539 990223....	4....	NUT 5/16-24 HEX
15..	539 115729....	2....	ROD END RH	31..	539 990188....	4....	WASHER 5/16 SAE FLT
16..	539 116690....	2....	ROD END MALE LH				

# IGNITION

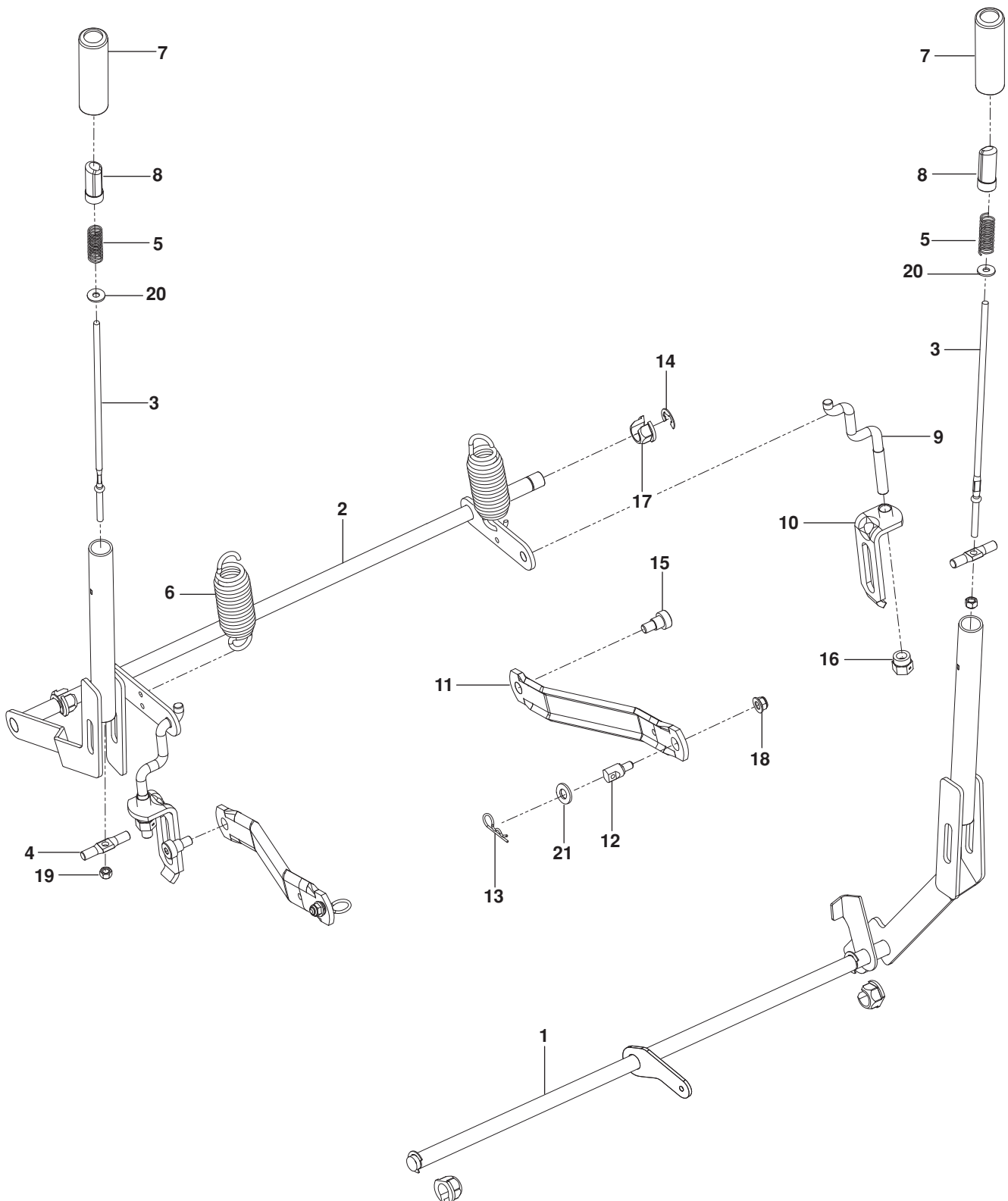


# IGNITION

---

ITEM PART NO.	QTY.	DESCRIPTION	ITEM PART NO.	QTY.	DESCRIPTION
1..	578 178901....	1.... FENDER, RT GR	30..	539 932956....	1.... FUEL LINE 10"
2..	539 130374....	1.... FENDER, LT GR	31..	505 215101....	1.... FUEL LINE 2½"
3..	578 180601....	1.... TANK ASSY, FUEL	32..	576 660604....	1.... HOSE, VAPOR ¾ x 30"
4..	575 018101....	1.... CAP, FUEL w/ TETHER	33..	576 660601....	1.... HOSE, VAPOR ¾ x 39"
5..	539 112734....	1.... CABLE, THROTTLE	34..	532 401763....	1.... HOUR METER
6..	532 140401....	1.... KEY, IGNITION	35..	539 112439....	1.... CONTROL, CHOKE
7..	539 107541....	1.... SWITCH, IGNITION	36..	539 102678....	2.... PLATE, TAPPED
8..	532 174652....	1.... SWITCH, CLUTCH	37..	539 133049....	1.... KNOB
9..	539 113792....	1.... SWITCH, BRAKE	38..	539 103306....	1.... CABLE, POSITIVE RED
10..	532 109553....	2.... SWITCH, NC	39..	539 110068....	1.... CABLE, NEGATIVE BLK
11..	539 112735....	1.... PANEL, CONTROL	40..	580 798001 ...	1.... CABLE w/ LEAD POSITIVE RED
12..	539 102436....	1.... BATTERY	41..	532 414114....	1.... CANISTER, CARBON
13..	539 131209....	1.... TIE DOWN, BATTERY	42..	575 242701....	1.... BRACKET, CANISTER
14..	510 231302....	1.... BOX, BATTERY BLK	43..	522 559101....	1.... SHIELD, HEAT
15..	539 116400....	3.... TERMINAL COVER	44..	539 108392....	2.... HCS 5/16-18 x 5/8
16..	539 102759....	1.... INSULATOR	45..	539 110673....	2.... SCREW 10-24 x ¾ WSH HD
17..	576 618101....	1.... VALVE, FUEL CHECK	46..	539 990411....	2.... SCREW 10-24 x ½ HEX HD
18..	539 916325....	1.... VALVE, FUEL	47..	539 111229....	2.... SCREW ¼-20 x 5/8 BTN SKT
19..	539 101714....	1.... SOLENOID	48..	574 822701....	4.... SCREW 10-24 x ¾ SKT HD
20..	539 912222....	4.... CLAMP, HOSE	49..	539 990316....	2.... RHSNB 5/16-18 x ¾
21..	575 436501....	4.... CLAMP, HOSE	50..	539 990645....	2.... RHSNB ¾-16 x 1
22..	539 105245....	1.... GROMMET, RUBBER	51..	539 108461....	2.... BOLT ¼-20 x ½
23..	576 618201....	1.... GROMMET, CHECK VALVE	52..	539 976977....	2.... NUT 10-24 HEX NYLOC
24..	539 110432....	1.... ELBOW	53..	539 976978....	6.... NUT ¼-20 HEX NYLOC
25..	539 110056....	1.... LENS, LT	54..	539 112899....	4.... NUT 5/16-18 FLANGE NYLOC
26..	539 110455....	1.... RIM, LT	55..	521 996501....	2.... NUT ¾-16 HEX FLG NYLOC
27..	539 110057....	1.... LENS, RT	56..	539 990053....	2.... WASHER ¼ ITLW
28..	539 110451....	1.... RIM, RT		NOT SHOWN	
29..	576 660701....	1.... FUEL LINE ASSY		515 980501....	1.... HARNESS, WIRING

# BRAKE / LIFT



## BRAKE / LIFT

---

ITEM	PART NO.	QTY.	DESCRIPTION	ITEM	PART NO.	QTY.	DESCRIPTION
1..	522 710802....	1....	SHAFT, BRAKE BLK	12..	532 195161....	2....	STUD w/ANTI- ROTATE
2..	574 216602....	2....	ARM, LIFTING BLK	13..	539 976989....	2....	HAIRPIN
3..	510 422901....	2....	ROD, HANDLE RELEASE	14..	539 105069....	3....	E-RING
4..	516 008801....	1....	ROD, LATCH RELEASE	15..	539 113621....	2....	BOLT $\frac{3}{8}$ -16 x $\frac{3}{8}$ SHOULDER
5..	510 030701....	2....	SPRING, COMPRESSION	16..	532 175994....	2....	NUT, LIFT LINK
6..	539 118762....	2....	SPRING	17..	510 184901....	4....	NUT, PLASTIC
7..	510 207201....	2....	GRIP, HANDLE	18..	539 112899....	2....	NUT $\frac{5}{16}$ -18 HEX FLG NYLOC
8..	510 207301....	2....	BUTTON, PUSH	19..	873 800400....	2....	NUT $\frac{1}{4}$ -20 HEX NYLOC
9..	525 847201....	2....	LINK, REAR SUSPENSION	20..	819 091216....	1....	WASHER $\frac{1}{4}$ FLT
10..	522 858601....	2....	BRACKET, CENTERING LNK	21..	819 212113....	2....	WASHER $\frac{5}{8}$ SAE FLT
11..	532 195185....	2....	ARM, SUSPENSION RR				

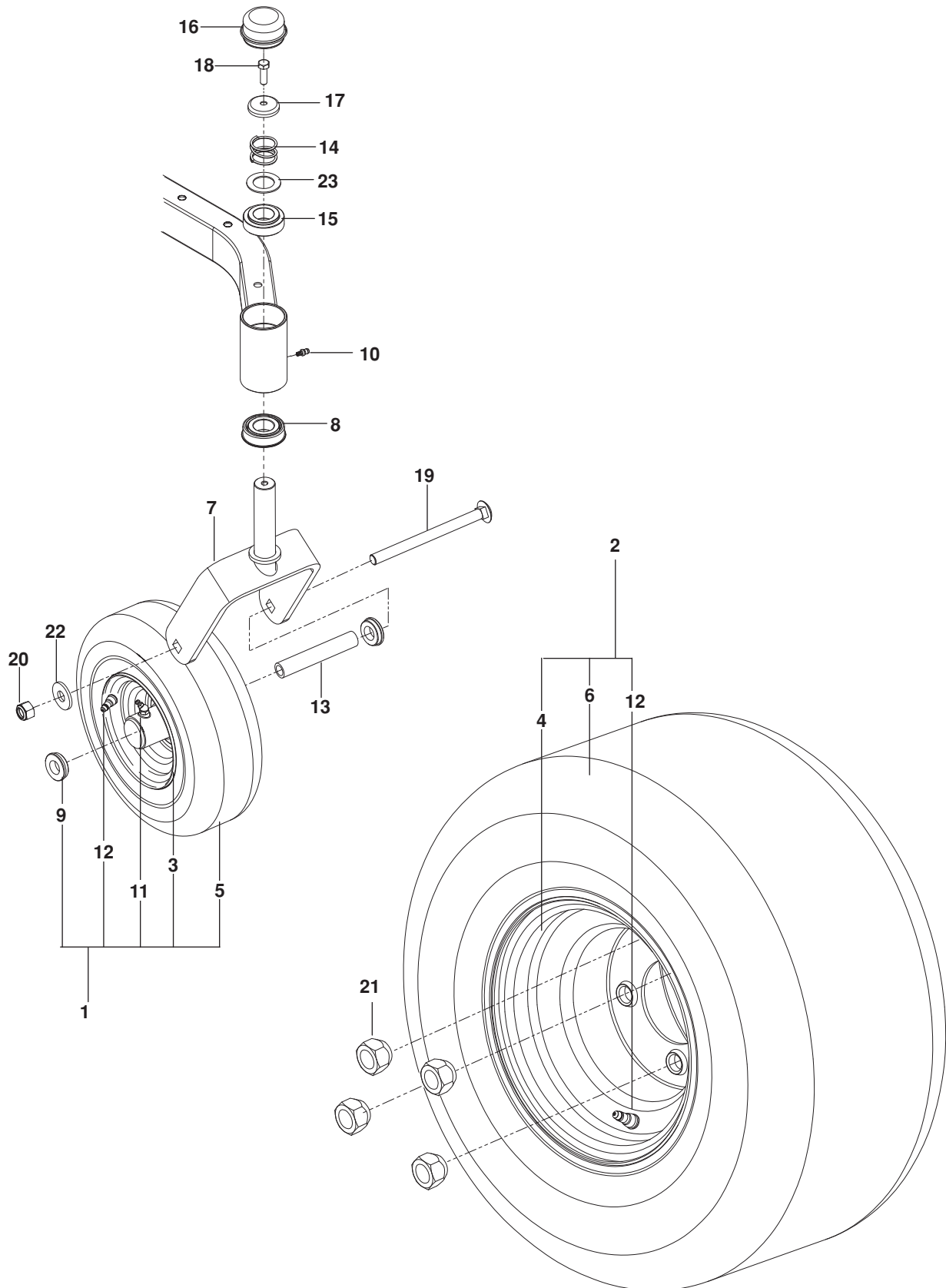


# HYDRAULIC PUMP / MOTOR

---

ITEM	PART NO.	QTY.	DESCRIPTION	ITEM	PART NO.	QTY.	DESCRIPTION
1..	522 447402....	1....	TRANS, ZT-2800 RT	16..	539 112449....	1....	CAP
2..	522 447401....	1....	TRANS, ZT-2800 LT	17..	539 976938....	2....	HCS 5/16-18 x 2 1/4
3..	522 706002....	1....	LINK ARM, BYPASS, RT	18..	539 990637....	2....	HCS 3/8-16 x 2 1/2
4..	522 706001....	1....	LINK ARM, BYPASS, LT	19..	539 101721....	4....	HCS 5/16-18 x 2 3/4
5..	574 030502....	1....	LINKAGE, BRAKE RT	20..	539 990717....	6....	NUT 5/16-18 HEX NYLOC
6..	574 030501....	1....	LINKAGE, BRAKE LT	21..	539 108535....	1....	SCREW #10-24 x 3/4
7..	539 120772....	1....	BELT, HYDRO	22..	539 990074 ...	2....	RHSNB 1/4-20 x 3/4 GR2
8..	510 185102....	2....	EZT MOUNT, REAR BLK	23..	539 976978....	4....	NUT 1/4-20 HEX NYLOC
9..	510 184103....	1....	SPACER TUBE, EZT	24..	539 976977....	1....	NUT 10-24 HEX NYLOC
10..	539 112318....	1....	EXPANSION TANK w/CAP	25..	539 990118....	2....	WASHER 3/8 SPLT LOCK
11..	522 439801....	2....	HOSE ASSY	26..	539 990122....	2....	WASHER 3/8 SAE FLT
12..	522 460702....	2....	SUPPORT, TRANS BLK	27..	539 990598....	4....	WASHER 1/4 FLT
13..	539 112308....	2....	SWIVEL, BRAKE	28..	539 990188..	12....	WASHER 5/16 SAE FLT
14..	539 101224....	2....	SPRING	29..	539 976988....	2....	HAIRPIN COTTER
15..	539 113466....	2....	FILTER				

# WHEELS AND TIRES



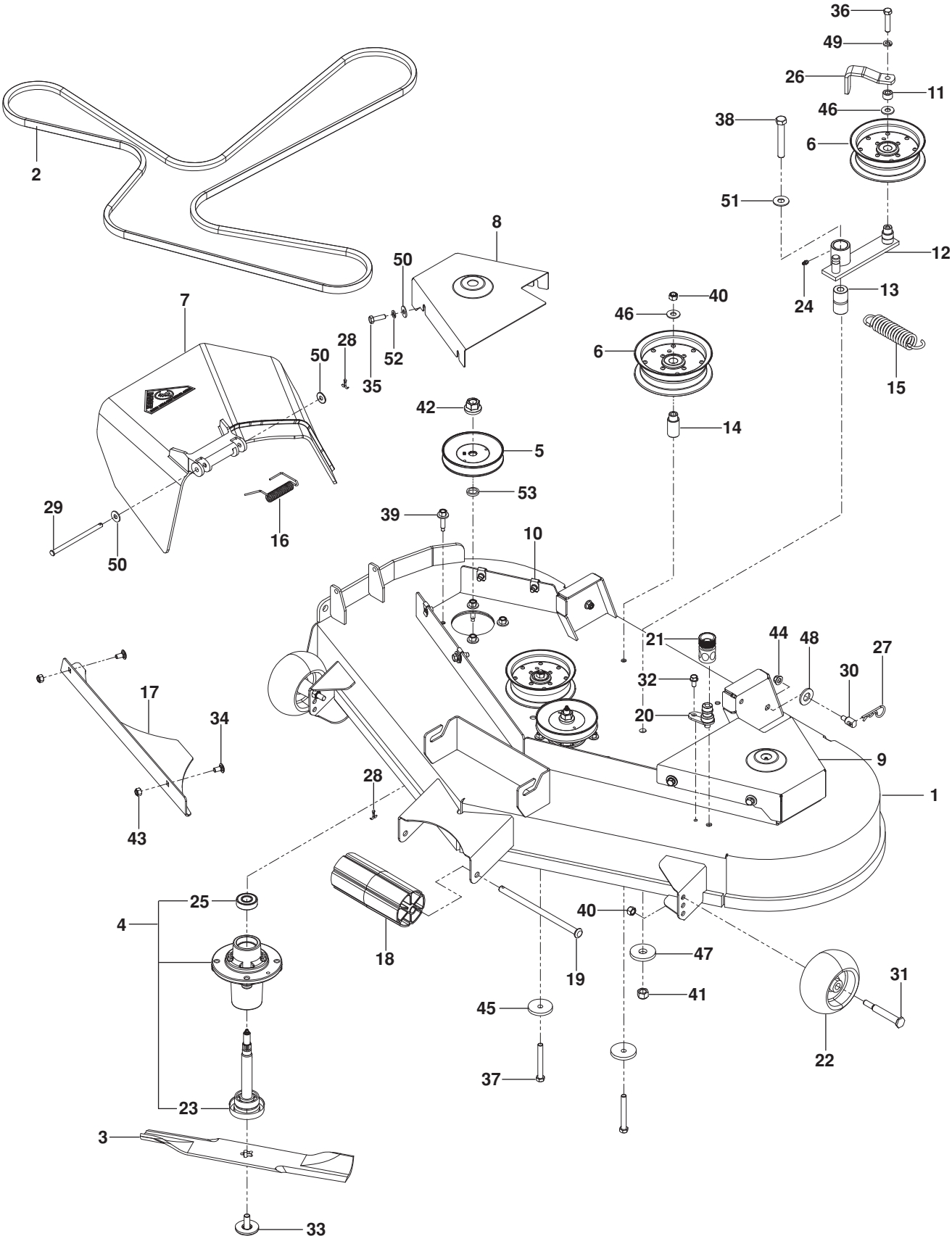


# WHEELS AND TIRES

---

ITEM	PART NO.	QTY.	DESCRIPTION	ITEM	PART NO.	QTY.	DESCRIPTION
1..	576 588601....	2....	CASTER TIRE ASSY	13..	576 588901....	2....	SPACER
2..	539 131110....	2....	WHEEL ASSY 20 x 8	14..	539 115747....	2....	SPRING, CASTER
3..	539 106994....	2....	RIM, CASTER	15..	539 117901....	2....	BUSHING, CASTER
4..	539 112217....	2....	RIM 8 x 7 w/ .8" OFFSET	16..	539 102535....	2....	GREASE CAP
5..	539 114697....	2....	CASTER TIRE, 410-5 4 PLY	17..	539 115749....	2....	PLUG, CASTER
6..	539 131109....	2....	TIRE, REAR 20 x 8	18..	539 115566....	2....	HHB w/ NY <sup>5</sup> / <sub>16</sub> -18 x 1
7..	576 588802....	2....	YOKE, ORG	19..	576 601501....	2....	RHSNB <sup>1</sup> / <sub>2</sub> -13 x 7 <sup>1</sup> / <sub>2</sub>
8..	539 112660....	2....	BEARING, FLANGED	20..	539 200100....	2....	NUT <sup>1</sup> / <sub>2</sub> HEX CNTRLK
9..	576 617801....	4....	BEARING, FLANGED	21..	539 101173....	8....	NUT <sup>1</sup> / <sub>2</sub> LUG
10..	539 115638....	2....	ZERK <sup>3</sup> / <sub>16</sub> DRIVE	22..	539 109554....	2....	WASHER <sup>1</sup> / <sub>2</sub> FLAT
11..	539 103300....	2....	ZERK	23..	539 115675....	2....	WASHER
12..	539 912234....	4....	VALVE STEM				

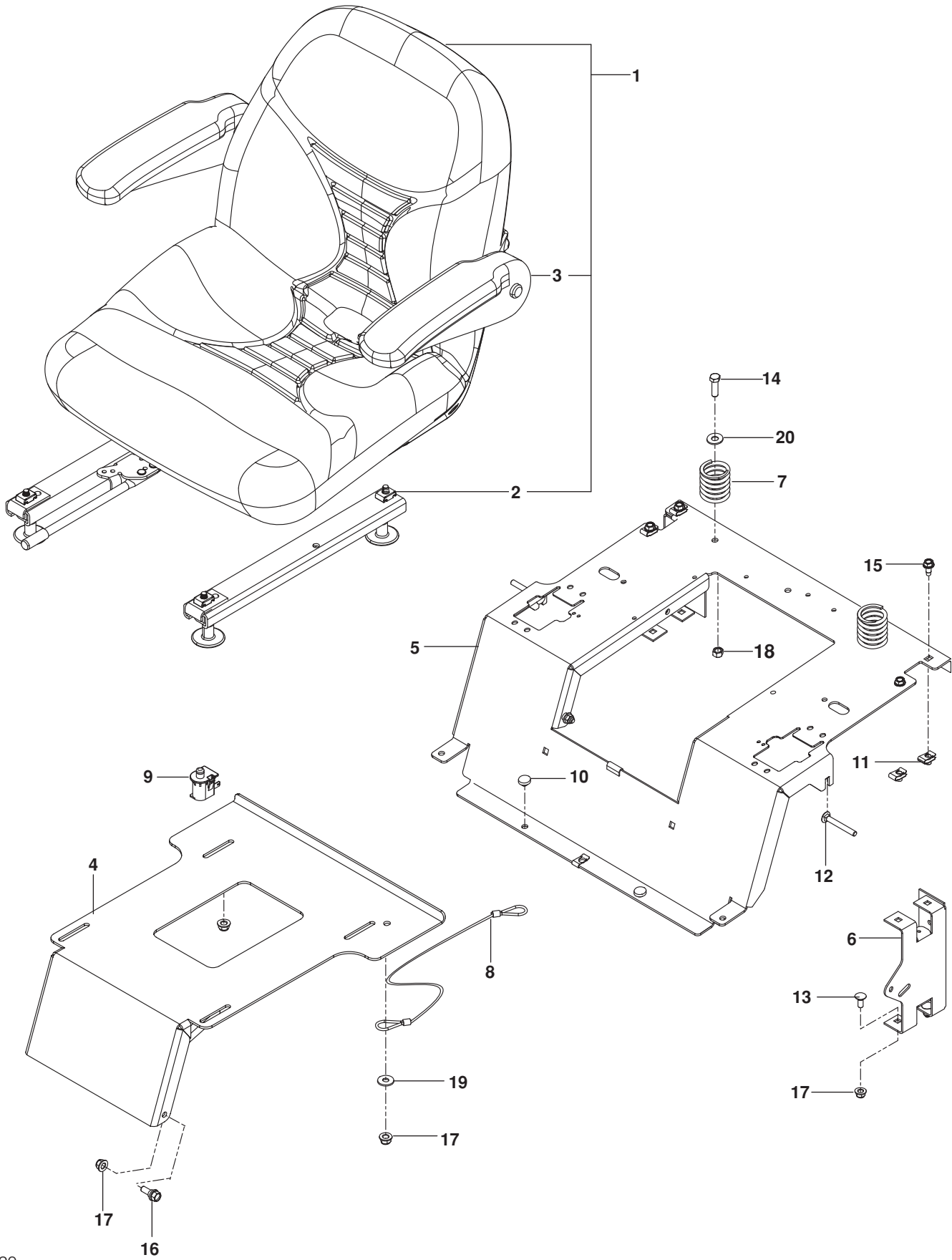
# MOWER DECK / CUTTING DECK



# MOWER DECK / CUTTING DECK

ITEM	PART NO.	QTY.	DESCRIPTION	ITEM	PART NO.	QTY.	DESCRIPTION
1..	522 744501....	1....	DECK w/ SAFETY DECALS	28..	539 990365....	2....	PIN, COTTER 1/8 x 3/4
2..	539 103013....	1....	BELT, DECK	29..	539 110736....	1....	PIN, CLEVIS 5/16
3..	539 113425....	3....	BLADE	30..	532 195161....	2....	STUD w/ ANTI-ROTATE
4..	539 112170....	3....	HOUSING ASSY	31..	539 107608....	2....	BOLT 1/2-16 x 2 5/8 SHOULDER
5..	532 173434....	3....	PULLEY, MANDREL	32..	539 108461....	1....	BOLT 1/4-20 x 1/2 HWST
6..	539 132728....	3....	PULLEY, IDLER	33..	532 193003....	3....	BOLT 7/16 BLADE
7..	539 110732....	1....	CHUTE, DISCHARGE	34..	539 990799....	2....	RHSNB 5/16-18 x 5/8
8..	539 113411....	1....	BELT SHIELD, RT ORG	35..	539 990209....	8....	HCS 5/16-18 x 1
9..	539 113413....	1....	BELT SHIELD, LT ORG	36..	539 990730....	1....	HCS 3/8-16 x 1 3/4
10..	539 104763....	8....	RETAINER, U TYPE	37..	539 101341....	2....	HCS 3/8-16 x 3
11..	539 923515....	1....	SPACER	38..	539 103433....	1....	HCS 1/2-13 x 3/4
12..	539 112198....	1....	ARM, IDLER	39..	539 107630..	12....	SCREW 5/16 -18 x WSH HD
13..	539 103427....	1....	BUSHING, PIVOT	40..	539 976979....	4....	NUT 3/8-16 HEX NYLOC
14..	539 112169....	2....	BUSHING, IDLER	41..	539 101331....	1....	NUT 1/2 HEX NYLOC
15..	539 103256....	1....	SPRING	42..	539 107590....	3....	NUT 9/16 TOP CNTRLK
16..	539 110735....	1....	SPRING, TORSION	43..	539 990717....	2....	NUT 5/16-18 HEX NYLOC
17..	539 113427....	1....	PLATE, CONFINEMENT BLK	44..	539 112899....	2....	NUT 5/16-18 HEX FLG NYLOC
18..	532 176066....	1....	ROLLER, NOSE	45..	539 106504....	2....	WASHER, HEAVY
19..	532 179127....	1....	ROD, ROLLER NOSE	46..	539 990517....	3....	WASHER 3/8 STD FLT
20..	532 415598....	1....	WASHOUT PORT	47..	539 102243....	1....	WASHER, SUPPORT
21..	532 416405....	1....	COUPLING, CONNECT	48..	539 976982....	2....	WASHER 5/8 FLAT SAE
22..	539 107610....	2....	WHEEL, GAUGE	49..	539 990118....	1....	WASHER 3/8 SPLT LCK
23..	539 112056....	3....	SHAFT	50..	539 990692..	10....	WASHER 5/16 STD FLT
24..	539 976998....	1....	ZERK	51..	539 990550....	1....	WASHER 1/2 STD FLAT
25..	539 112050....	3....	BEARING, BALL	52..	539 990187....	8....	WASHER 5/16 SLW
26..	539 114981....	1....	GUIDE, BELT	53..	539 107520....	3....	WASHER, SPACER
27..	539 976989....	2....	HAIRPIN				

# SEAT

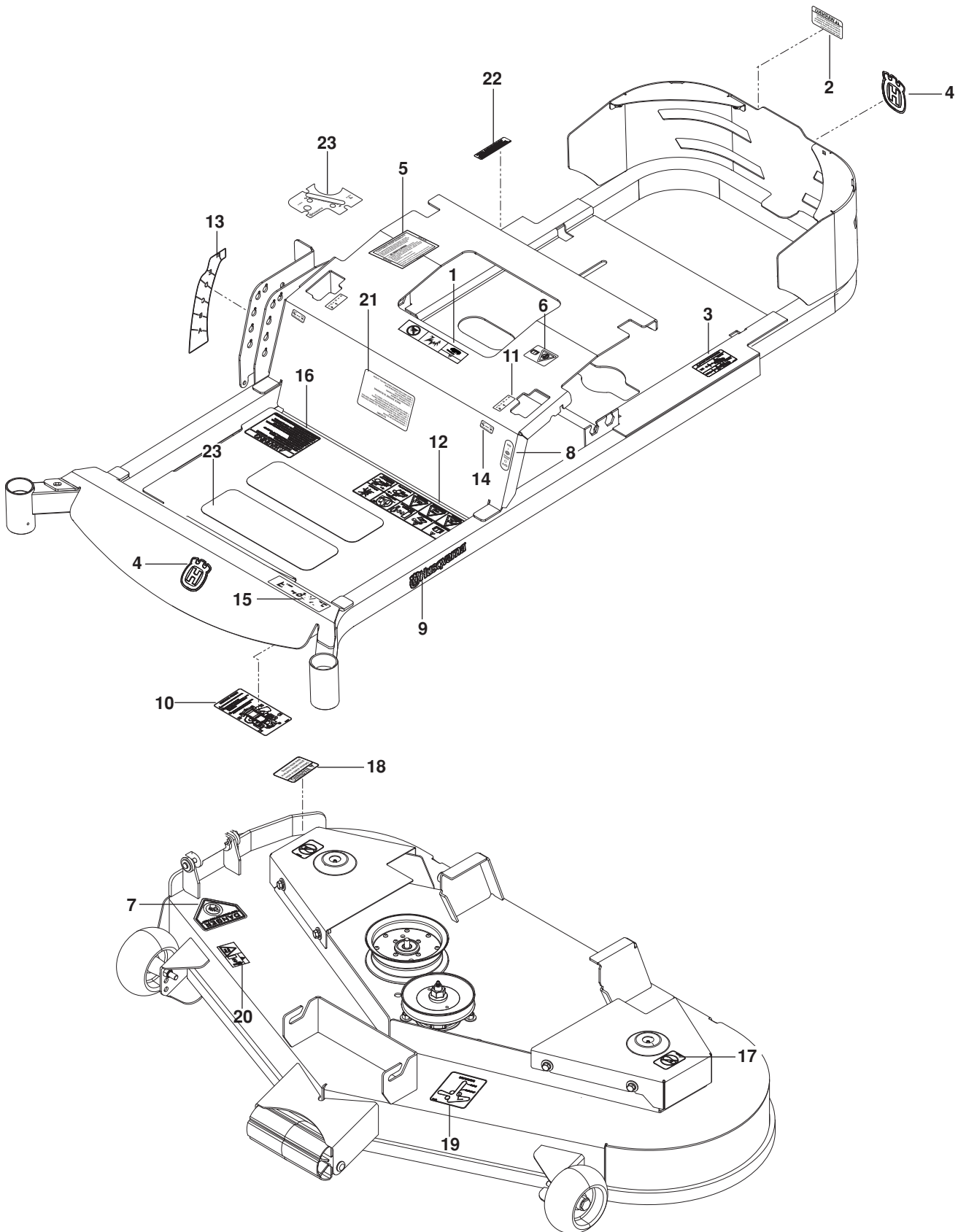


# SEAT

---

ITEM	PART NO.	QTY.	DESCRIPTION	ITEM	PART NO.	QTY.	DESCRIPTION
1..	539 130873....	1....	SEAT ASSY	11..	539 104763....	5....	RETAINER, U TYPE
2..	539 112037....	1....	ADJUSTMENT TRACK ASSY	12..	510 422701....	2....	RHSNB $\frac{5}{16}$ -18 x 2 $\frac{1}{2}$
3..	539 112036....	1....	ARM ASSY LT	13..	539 990316....	4....	RHSNB $\frac{5}{16}$ -18 x $\frac{3}{4}$
	539 112035....	1....	ARM ASSY RT	14..	539 976941....	2....	HCS $\frac{3}{8}$ -16 x 1 $\frac{1}{4}$
4..	576 916802....	1....	PAN, SEAT ORG	15..	539 107475....	4....	BOLT $\frac{5}{16}$ -18 x $\frac{3}{4}$ , THD FRM
5..	577 260602....	1....	SUPPORT, SEAT ORG	16..	539 130896....	2....	BOLT $\frac{5}{16}$ -18 SHOULDER
6..	580 308202....	2....	SUPPORT, REAR SEAT BLK	17..	539 112899..	10....	NUT $\frac{5}{16}$ -18 FLANGE NYLOC
7..	539 110300....	2....	SPRING, SEAT	18..	539 976979....	2....	NUT $\frac{3}{8}$ -16 HEX NYLOC
8..	539 103247....	1....	LANYARD	19..	539 990692....	1....	WASHER $\frac{5}{16}$ STD FLT
9..	539 119741....	1....	SWITCH, SEAT	20..	539 990517....	2....	WASHER $\frac{3}{8}$ STD FLT
10..	539 102587....	2....	GROMMET, BUMPER				

# DECALS



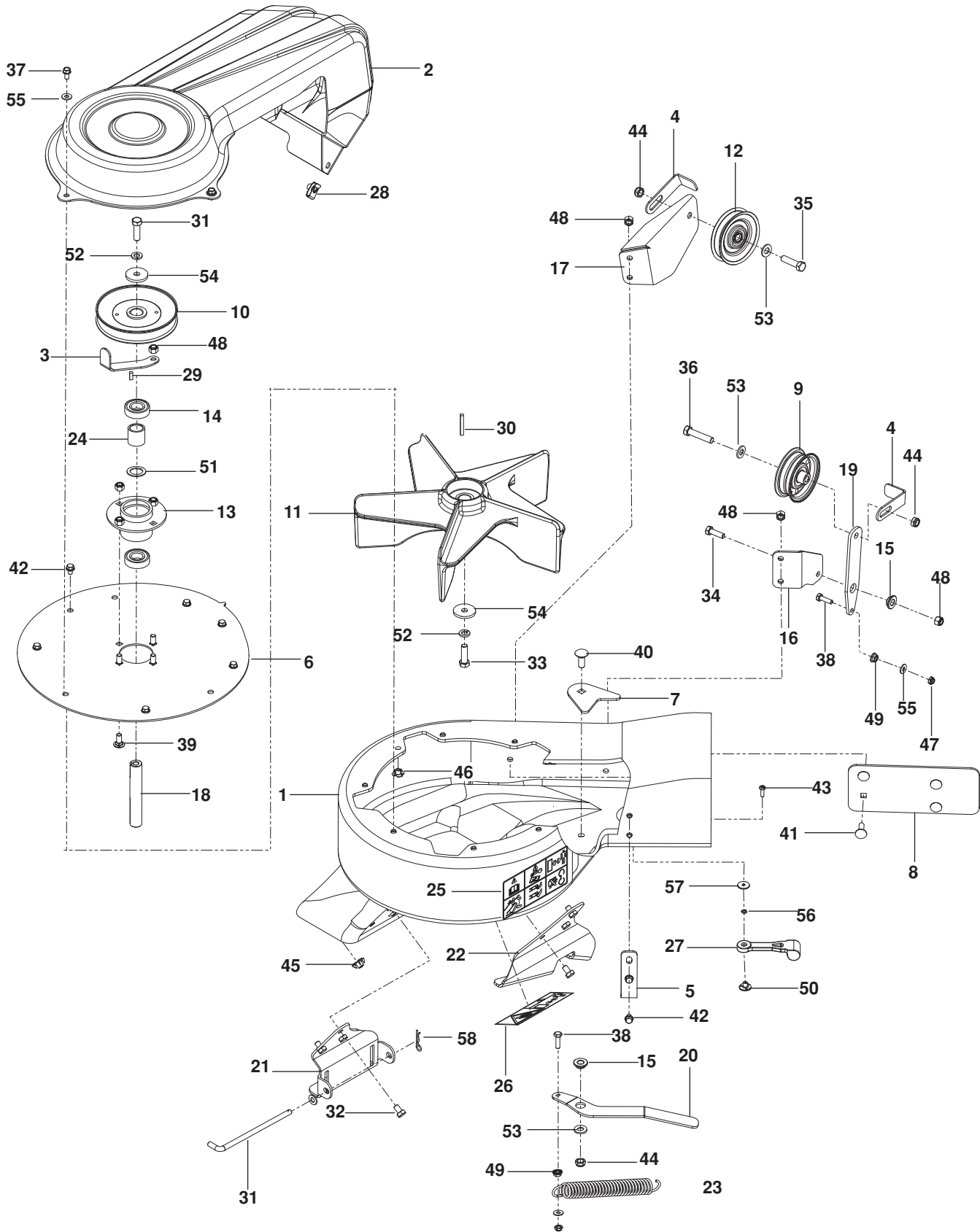
# DECALS

---

ITEM	PART NO.	QTY.	DESCRIPTION	ITEM	PART NO.	QTY.	DESCRIPTION
1..	539 105745....	1....	DECAL, BATTERY WARNING	14..	539 110974....	2....	DECAL, TRACKING
2..	539 101881....	1....	DECAL, EXHAUST	15..	521 949307....	1....	DECAL, EZ4824
3..	539 108385....	1....	DECAL, DO NOT TOW	16..	539 113213....	1....	DECAL, WARNING
4..	532 428676....	2....	DECAL, CROWN H	17..	539 105743....	2....	DECAL, NO STEP
5..	539 110522....	1....	DECAL, RESPONSIBILITY	18..	539 113224....	1....	DECAL, DEFLECTOR WARN
6..	539 108386....	1....	DECAL, EXIT MOWER	19..	539 112620....	1....	DECAL, BELT ROUTING
7..	539 913010....	2....	DECAL, BLADE WARNING	20..	539 105746....	1....	DECAL, SEVERING
8..	539 120006....	1....	DECAL, PARK BRAKE	21..	539 108179....	1....	DECAL, START
9..	532 429196....	2....	DECAL, HUSQVARNA	22..	532 424102....	1....	DECAL, SPARK ARRESTOR
10..	539 109897....	1....	DECAL, SERVICE	23..	576 916702....	1....	DECAL, CONSOLE
11..	539 103333....	2....	DECAL, MOTION CONTROL	24..	539 977778....	3....	ABRASIVE PAD
12..	539 109908....	1....	DECAL, SAFETY WARNING				
13..	576 979101....	1....	DECAL, HEIGHT				

# ACCESSORIES

## BLOWER



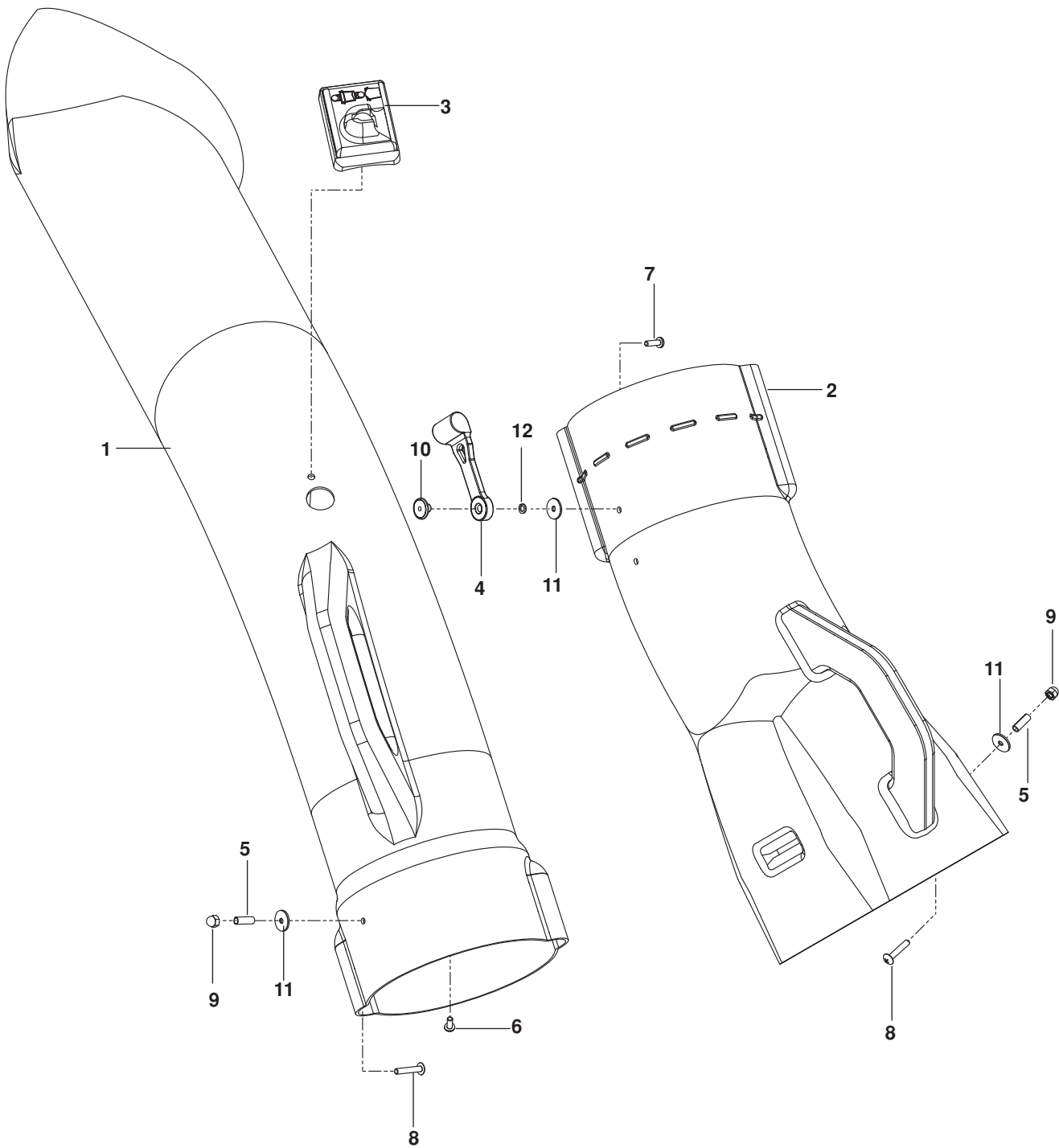


# ACCESSORIES

ITEM	PART NO.	QTY.	DESCRIPTION	ITEM	PART NO.	QTY.	DESCRIPTION
1..	539 130344....	1....	HOUSING w/DECALS	30..	539 125229....	1....	KEY $\frac{3}{16}$ X $1\frac{1}{2}$
2..	539 130293....	1....	COVER, BELT	31..	539 130317....	1....	PIN
3..	539 131085....	1....	KEEPER, BELT OUTER	32..	539 130315....	6....	HCS $\frac{5}{16}$ -18 X $\frac{1}{2}$
4..	539 131087....	2....	KEEPER, BELT REAR	33..	539 110321....	2....	HCS $\frac{3}{8}$ -24 X $1\frac{1}{4}$ GR 8
5..	539 130346....	1....	KEEPER	34..	539 990209....	1....	HCS $\frac{5}{16}$ -18 X 1
6..	539 130341....	1....	PLATE, OUTER	35..	539 990655....	1....	HCS $\frac{3}{8}$ -16 X $1\frac{1}{2}$
7..	539 132124....	1....	PLATE, BACKING	36..	539 976949....	1....	HCS $\frac{3}{8}$ -16 X $1\frac{3}{4}$
8..	539 132122....	1....	PLATE, BACKING	37..	539 108461....	3....	HCS $\frac{1}{4}$ -20 X $\frac{1}{2}$
9..	539 919078....	1....	PULLEY, IDLER	38..	539 990643....	2....	HCS $\frac{1}{4}$ -20 X $\frac{7}{8}$
10..	539 130324....	1....	PULLEY	39..	539 990316....	4....	RHSNB $\frac{5}{16}$ -18 X $\frac{3}{4}$
11..	539 130292....	1....	IMPELLER	40..	539 990645....	1....	RHSNB $\frac{3}{8}$ -16 X 1
12..	539 113683....	1....	V-IDLER	41..	539 990208....	4....	RHSNB $\frac{5}{16}$ -18 X 1
13..	539 130295....	1....	HUB, BEARING	42..	539 990302....	8....	SCREW $\frac{1}{4}$ X $\frac{3}{8}$ THRD FRM
14..	539 130296....	2....	BEARING	43..	539 976952....	1....	SCREW #10-24 X $\frac{5}{8}$
15..	539 130301....	2....	BUSHING	44..	539 200282....	3....	NUT $\frac{3}{8}$ -16 HEX JAM NYLOC
16..	539 130335....	1....	MOUNT, IDLER, UPPER	45..	539 130313....	6....	NUT $\frac{5}{16}$ -18 TEE
17..	539 130336....	1....	MOUNT, IDLER, LOWER	46..	539 130314..	11....	NUT $\frac{1}{4}$ -20 TEE
18..	539 130316....	1....	SHAFT, IMPELLER	47..	539 108120....	2....	NUT $\frac{1}{4}$ -20 HEX NYLOC
19..	539 130337....	1....	ARM, IDLER	48..	539 990717....	9....	NUT $\frac{5}{16}$ -18 HEX NYLOC
20..	539 130338....	1....	ARM, TENSION	49..	539 108735....	2....	NUT $\frac{1}{4}$ -20 HEX FLANGE
21..	539 130339....	1....	BRACKET, MOUNT, FRONT	50..	539 108089....	1....	WELD NUT, PLATED
22..	539 130340....	1....	BRACKET, MOUNT, REAR	51..	539 910935....	1....	WASHER
23..	539 101977....	1....	TRACTION SPRING	52..	539 990118....	2....	WASHER $\frac{3}{8}$ SPLT LOCK
24..	539 130323....	1....	SPACER	53..	539 990122....	3....	WASHER $\frac{3}{8}$ SAE FLT
25..	539 105785....	1....	DECAL, WARNING	54..	539 110323....	2....	WASHER, HARDENED
26..	539 106741....	1....	DECAL, SEVERING	55..	539 990055....	5....	WASHER $\frac{1}{4}$ FLAT SAE
27..	539 108088....	1....	LATCH, HOOD	56..	539 109552....	2....	WASHER $\frac{3}{16}$ LOCK
28..	539 104763....	1....	RETAINER U TYPE	57..	539 108084....	2....	WASHER $\frac{3}{16}$ X $\frac{3}{4}$ X 16 GA
29..	539 115667....	1....	KEY $\frac{3}{16}$ X $\frac{1}{2}$	58..	539 976988....	1....	HAIRPIN

# ACCESSORIES

## CHUTES



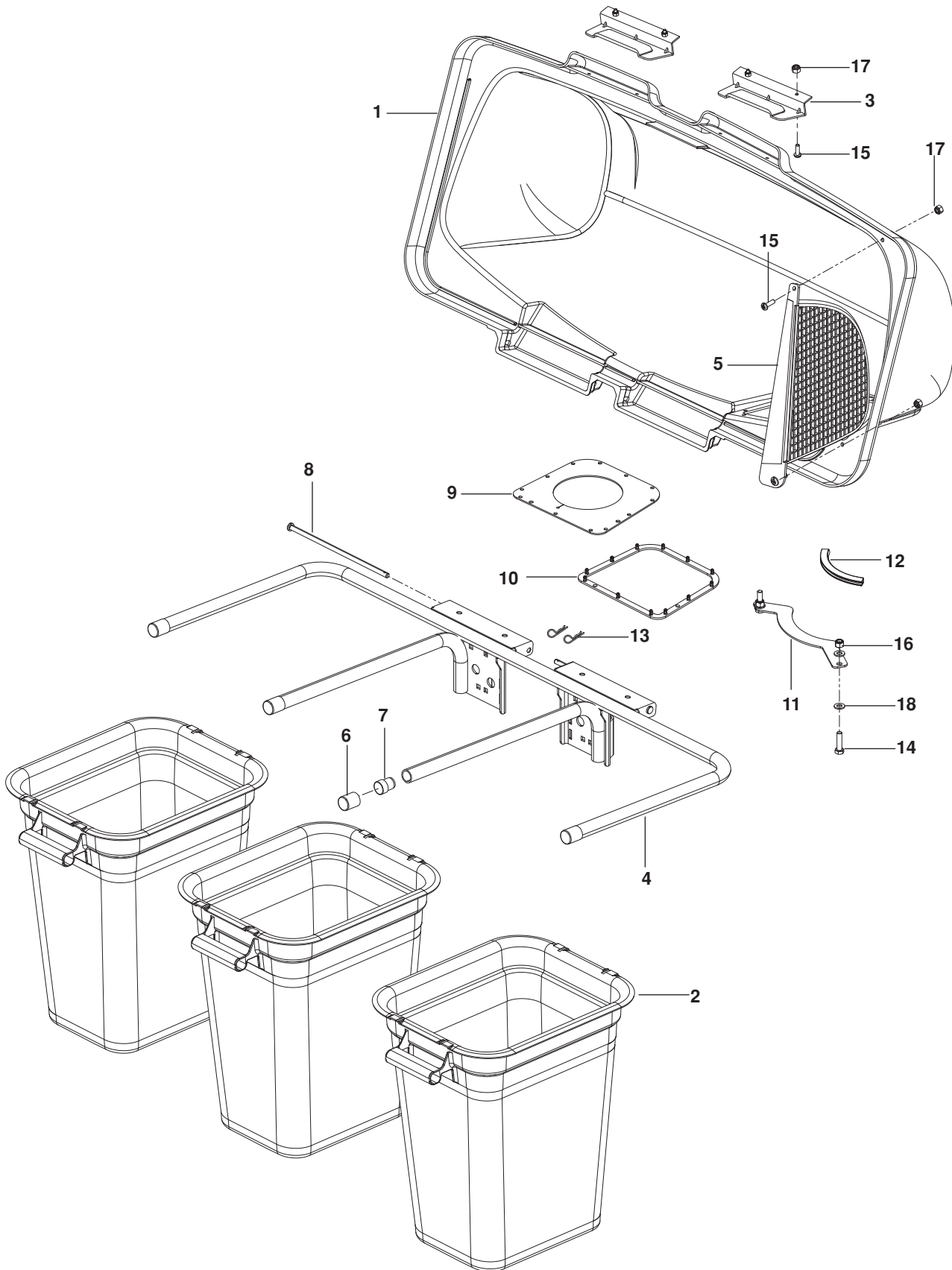
# ACCESSORIES

---

ITEM	PART NO.	QTY.	DESCRIPTION	ITEM	PART NO.	QTY.	DESCRIPTION
1..	522 739202....	1....	CHUTE, UPPER	7..	539 976952....	1....	SCREW #10-24 x $\frac{5}{8}$
2..	539 130294....	1....	CHUTE, MIDDLE	8..	539 108083....	2....	SCREW #10-24 x $1\frac{1}{8}$
3..	539 108082....	1....	INDICATOR, BAG DUMP	9..	539 108086....	2....	NUT #10-24 ACORN
4..	539 108088....	1....	LATCH, HOOD	10..	539 108089....	1....	WELD NUT, PLATED
5..	539 108085....	2....	SPACER, SPLIT	11..	539 108084....	3....	WASHER $\frac{3}{16}$ x $\frac{3}{4}$ x 16 GA
6..	539 108081....	1....	SCREW #10-14 x $\frac{1}{2}$	12..	539 109552....	2....	WASHER $\frac{3}{16}$ LOCK

# ACCESSORIES

## BAGGER



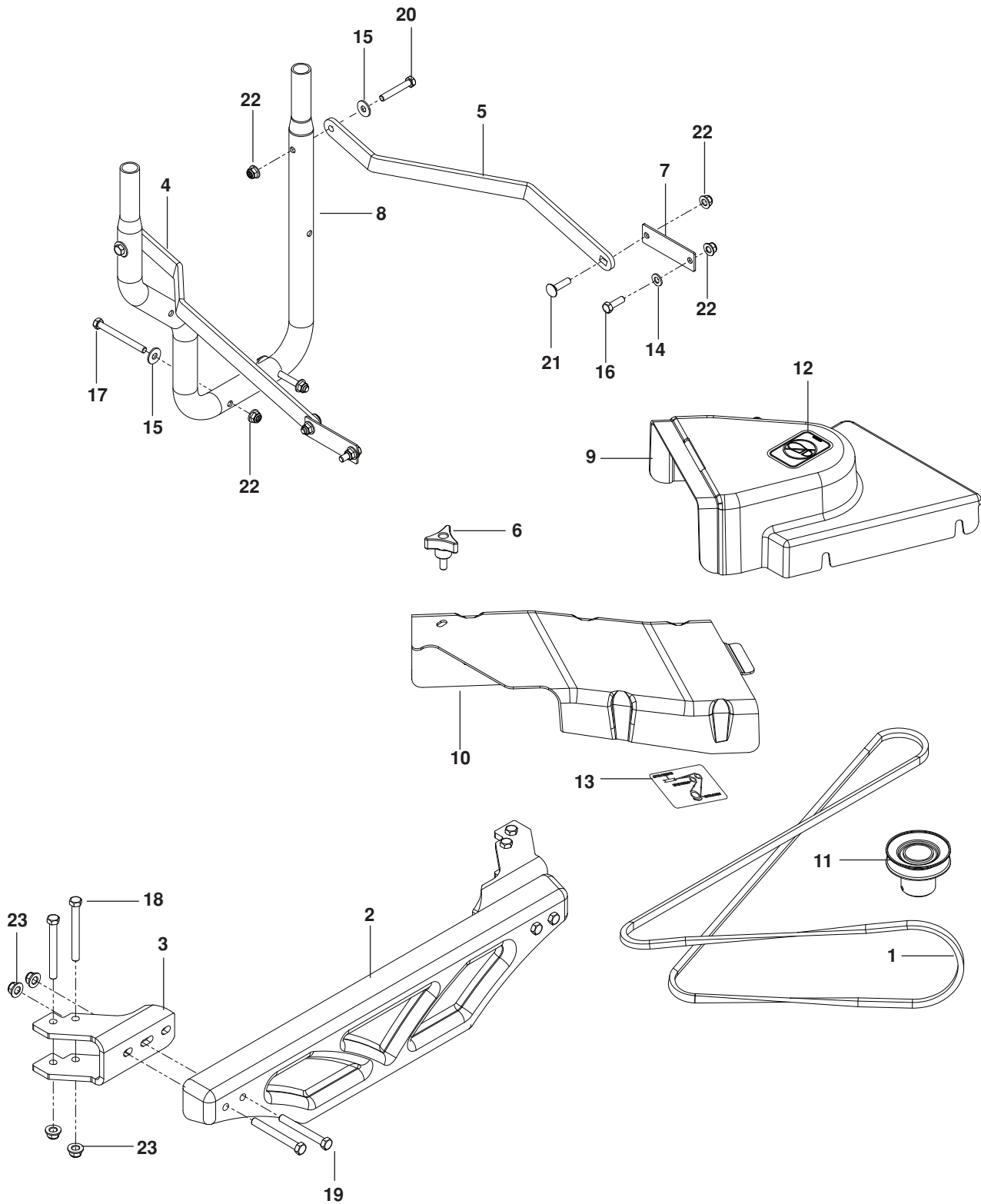
# ACCESSORIES

---

ITEM	PART NO.	QTY.	DESCRIPTION	ITEM	PART NO.	QTY.	DESCRIPTION
1..	532 195373....	1....	COVER	10..	532 192603....	1....	GASKET, COVER
2..	532 400226....	3....	CONTAINER, SOFT BAG	11..	539 110281....	1....	SUPPORT, CHUTE
3..	532 130895....	2....	HANDLE, BAGGER COVER	12..	539 112294....	1....	FLEX TRIM
4..	539 108098....	1....	FRAME, BAGGER	13..	539 108096....	2....	HAIR PIN
5..	532 192709....	1....	SCREEN, COVER	14..	539 990627....	2....	HCS $\frac{5}{16}$ -18 x $1\frac{1}{4}$
6..	539 108097....	4....	PLUG, TUBING END	15..	539 976952....	6....	SCREW #10-24 x $\frac{5}{8}$
7..	522 801301....	2....	PLUG, SPACER	16..	539 112899....	2....	NUT $\frac{5}{16}$ -18 HEX FLG NYLOC
8..	532 192786....	2....	PIN, HINGE	17..	539 976977....	6....	NUT #10-24 CROWNLOCK
9..	532 192550....	1....	SEAL, COVER	18..	539 990188....	4....	WASHER $\frac{5}{16}$ SAE

# ACCESSORIES

## MOUNTS AND GUARDS



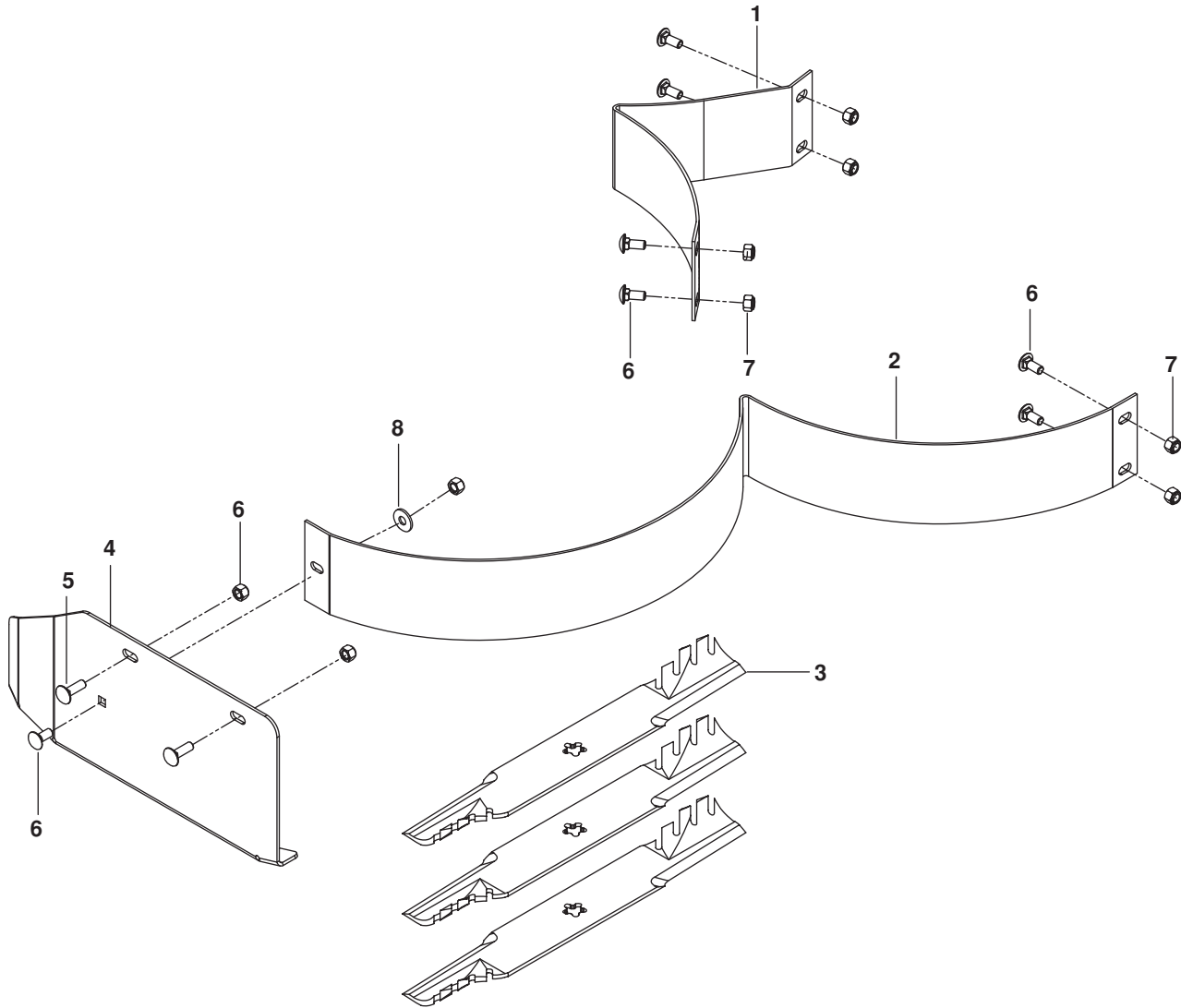
# ACCESSORIES

---

ITEM	PART NO.	QTY.	DESCRIPTION	ITEM	PART NO.	QTY.	DESCRIPTION
1..	539 130347....	1....	BELT	13..	539 130349....	1....	DECAL, BELT ROUTING
2..	539 111587....	1....	WEIGHT PLATE	14..	539 990188....	2....	WASHER <sup>5</sup> / <sub>16</sub> SAE FLAT
3..	522 923202....	2....	WEIGHT BRACKET	15..	539 990692....	4....	WASHER <sup>5</sup> / <sub>16</sub> STD FLT
4..	522 854402....	1....	STRAP, SUPPORT, RT	16..	539 990209....	2....	HCS <sup>5</sup> / <sub>16</sub> -18 x 1
5..	522 854502....	1....	STRAP, SUPPORT, LT	17..	539 101520....	2....	HCS <sup>5</sup> / <sub>16</sub> -18 x 3 <sup>1</sup> / <sub>4</sub>
6..	539 104411....	1....	KNOB w/ STUD	18..	539 108271....	4....	HCS <sup>3</sup> / <sub>8</sub> -16 x 3 <sup>1</sup> / <sub>2</sub>
7..	523 112802 ...	2....	PLATE, REINFORCEMENT	19..	539 101341....	4....	HCS <sup>3</sup> / <sub>8</sub> -16 x 3
8..	539 131091....	1....	TUBE, MOUNT	20..	539 976937....	2....	HCS <sup>5</sup> / <sub>16</sub> -18 x 2
9..	539 130306....	1....	SHIELD, BELT	21..	539 100472....	2....	RHSNB <sup>5</sup> / <sub>16</sub> -18 x 1 <sup>1</sup> / <sub>4</sub>
10..	539 130309....	1....	COVER, BELT	22..	539 112899....	8....	NUT <sup>5</sup> / <sub>16</sub> -18 HEX FLG NYLOC
11..	539 130319....	1....	PULLEY	23..	521 996501....	8....	NUT <sup>3</sup> / <sub>8</sub> -16 HEX FLANGE
12..	539 105743....	1....	DECAL, NO STEP				

# ACCESSORIES

## MULCH KIT





# ACCESSORIES

---

ITEM	PART NO.	QTY.	DESCRIPTION
1..	539 113417....	1....	BAFFLE, MULCH, LEFT
2..	539 113419....	1....	BAFFLE, MULCH, RIGHT
3..	522 037401....	3....	BLADE 16¼" GATOR
4..	539 113428....	1....	CAP, MULCH, 48

ITEM	PART NO.	QTY.	DESCRIPTION
5..	539 990208....	2....	RHSNB <sup>5</sup> / <sub>16</sub> -18 x 1
6..	539 990316....	7....	RHSNB <sup>5</sup> / <sub>16</sub> -18 x <sup>3</sup> / <sub>4</sub>
7..	539 990717....	9....	NUT <sup>5</sup> / <sub>16</sub> -18 NYLOC
8..	539 990692....	1....	WASHER <sup>5</sup> / <sub>16</sub>





