

580 95 98-27



Repair Parts Manual IPL Manual

LGT2654/96045004000

Please read the operator's manual carefully and make sure you understand the instructions before using the machine.

Por favor lea cuidadosamente y comprenda estas instrucciones antes de usar esta maquina.



English

HOW TO USE THIS MANUAL

This manual is designed to provide the customer with a means to identify the parts on his/her tractor when ordering repair parts. The illustrations may or may not represent the actual assemblies; therefore, it is not recommended to use this manual as a guide to assemble or disassemble the tractor. Some hardware and parts are drawn larger in order to more readily identify them.

Each tractor has its own model number.

The model number for your tractor can be found on the fender under the seat.

When ordering parts, always give the following information:

- Product - "TRACTOR"
- MODEL NUMBER - "LGT2654" (96045004000)"
- Part Number
- Part Description

TABLE OF CONTENTS

| | |
|-----------------|-------|
| SCHEMATIC | 3 |
| ELECTRICAL..... | 4-5 |
| CHASSIS | 6-7 |
| DRIVE..... | 8-9 |
| ENGINE..... | 10-11 |
| STEERING | 12-13 |
| MOWER DECK..... | 14-15 |
| MOWER LIFT..... | 16 |
| SEAT | 17 |
| DECALS..... | 18 |

COMO UTILIZAR ESTE MANUAL

Este manual está diseñado para brindarle al comprador un medio para identificar las piezas del tractor para cuando necesite hacer el pedido de un repuesto. Las ilustraciones pueden o no representar los ensambles reales; por lo tanto, no se recomienda utilizar este manual como una guía para ensamblar o desarmar el tractor. Algunos accesorios y piezas están dibujados en tamaños más grandes para identificarlos con mayor facilidad.

Cada tractor tiene su propio número de modelo.

El número de modelo del tractor se encuentra en el guardabarros debajo del asiento.

Cuando haga el pedido de una pieza, siempre brinde la siguiente información:

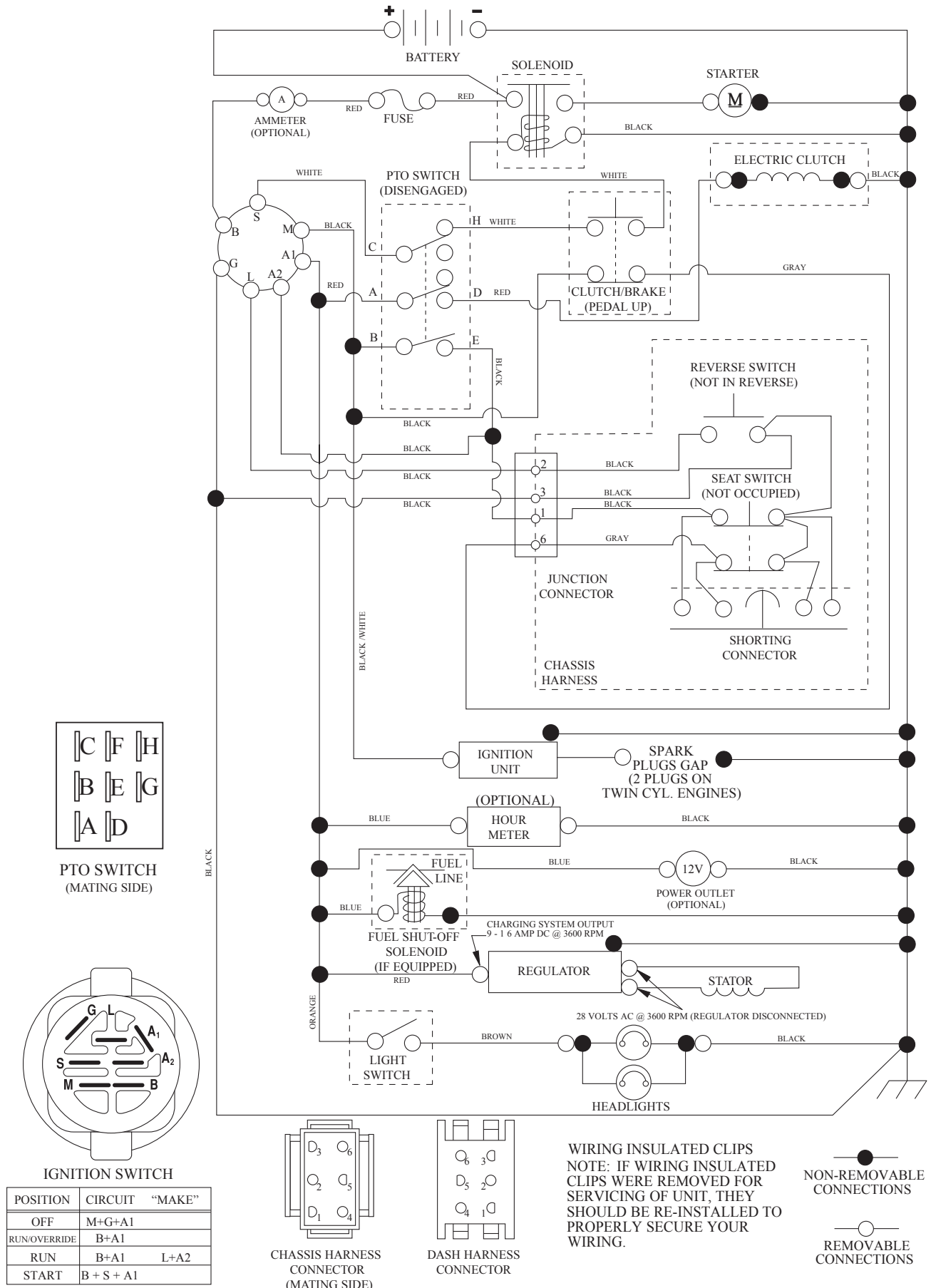
- Producto: "TRACTOR"
- NÚMERO DE MODELO: "LGT2654" (96045004000)"
- Número de pieza
- Descripción de la pieza

ÍNDICE

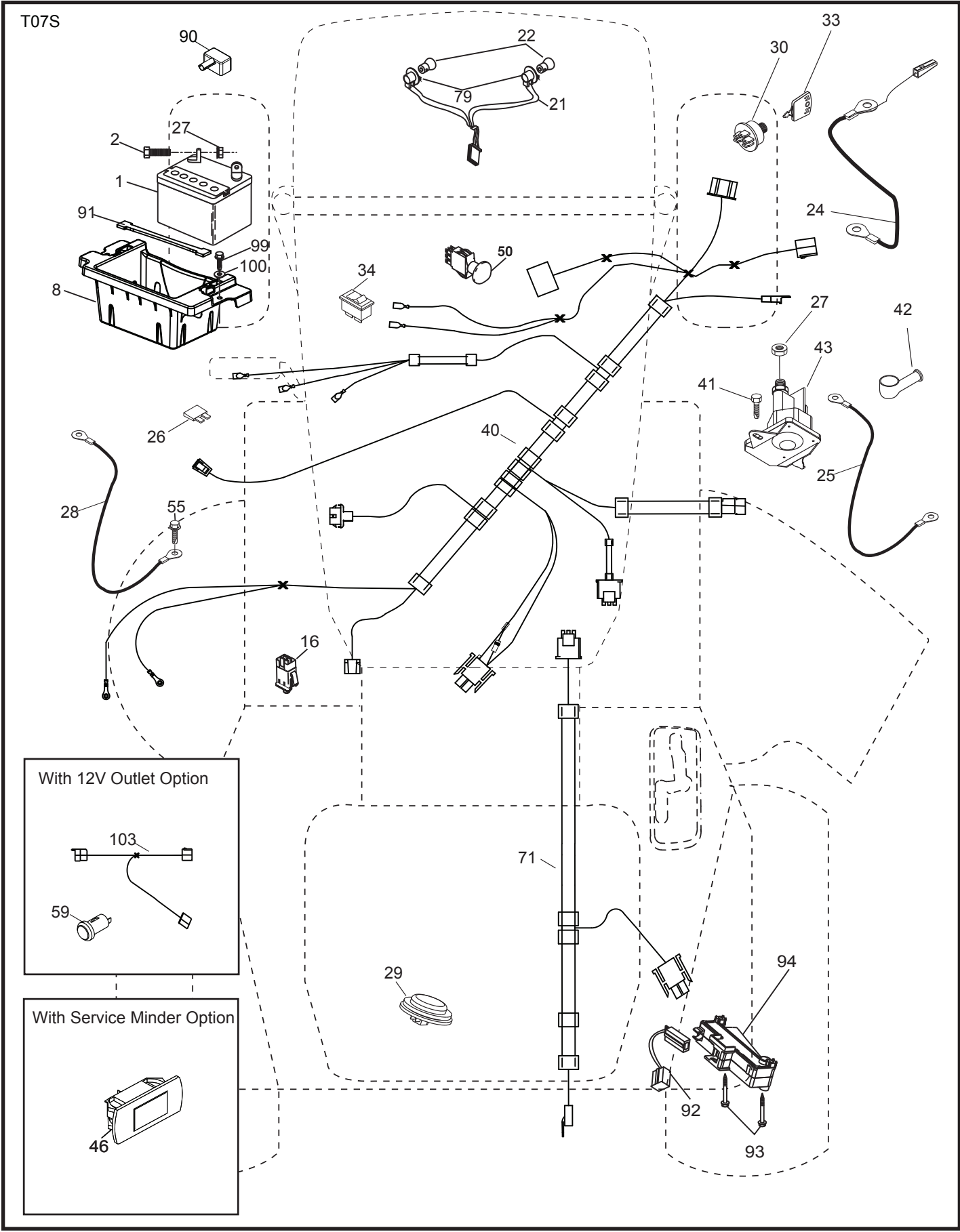
| | |
|---|-------|
| DIAGRAMA..... | 19 |
| DIAGRAMA ELÉCTRICO | 20-21 |
| CHASIS..... | 22-23 |
| TRANSMISIÓN | 24-25 |
| MOTOR..... | 26-27 |
| DIRECCIÓN | 28-29 |
| PLATAFORMA DE LA CORTADORA DE CÉSPED..... | 30-31 |
| ELEVACIÓN DE LA CORTADORA DE CÉSPED..... | 32 |
| ASIENTO..... | 33 |
| CALCOMANÍAS..... | 34 |

TRACTOR - MODEL NO. LGT2654 (96045004000), PRODUCT NO. 960 45 00-40 SCHEMATIC

SCH12



**TRACTOR - MODEL NO. LGT2654 (96045004000), PRODUCT NO. 960 45 00-40
ELECTRICAL**



**TRACTOR - MODEL NO. LGT2654 (96045004000), PRODUCT NO. 960 45 00-40
ELECTRICAL**

| KEY NO. | PART NO. | DESCRIPTION |
|----------------|-----------------|----------------------------------|
| 1 | 532 16 34-65 | Battery |
| 2 | 874 76 04-12 | Bolt Hex Hd 1/4-20 unc x 3/4 |
| 8 | 532 18 64-91 | Battery Box |
| 16 | 532 17 61-38 | Switch Interlock |
| 21 | 532 40 02-52 | Harness Socket Light |
| 22 | 532 00 41-52 | Bulb, Light #1156 |
| 24 | 532 40 02-53 | Cable Battery |
| 25 | 532 41 28-95 | Cable Starter |
| 26 | 532 17 51-58 | Fuse |
| 27 | 873 51 04-00 | Nut Keps Hex 1/4-20 unc |
| 28 | 532 14 54-91 | Cable Ground 21" Blk 6 Ga. |
| 29 | 532 40 15-45 | Switch Seat |
| 30 | 532 19 33-50 | Switch Ign |
| 33 | 532 41 19-33 | Key/Chain |
| 34 | 532 11 07-12 | Switch Light/Reset |
| 40 | 532 40 11-04 | Harness Ign. Dash |
| 41 | 817 72 04-08 | Screw Thd Cut 1/4-20 x 1/2 |
| 42 | 532 13 15-63 | Cover Terminal Red |
| 43 | 532 19 25-07 | Solenoid |
| 46 | 532 40 17-63 | Gauge Hourmeter |
| 50 | 532 17 46-51 | Switch PTO |
| 55 | 817 06 05-12 | Screw Thdrol 5/16-18 x 3/4 |
| 59 | 532 40 03-03 | Outlet 12-Volt |
| 71 | 532 19 42-76 | Harness Ign Chassis |
| 79 | 532 17 52-42 | Socket Asm Bulb |
| 90 | 532 43 53-95 | Cover Terminal Battery |
| 91 | 532 19 02-70 | Strap Battery |
| 92 | 532 19 66-15 | Harness Pigtail Reverse Switch |
| 93 | 532 19 25-40 | Screw Plastite 10-14 X 2.00 |
| 94 | 532 19 18-34 | Module Reverse ROS |
| 99 | 817 67 04-12 | Screw Hexwsh Thdrol 1/4-20 x 3/4 |
| 100 | 819 09 14-16 | Washer 9/32 x 7/8 x 16 Ga. |
| 103 | 532 40 79-62 | Harness Pigtail 12 V Outlet |

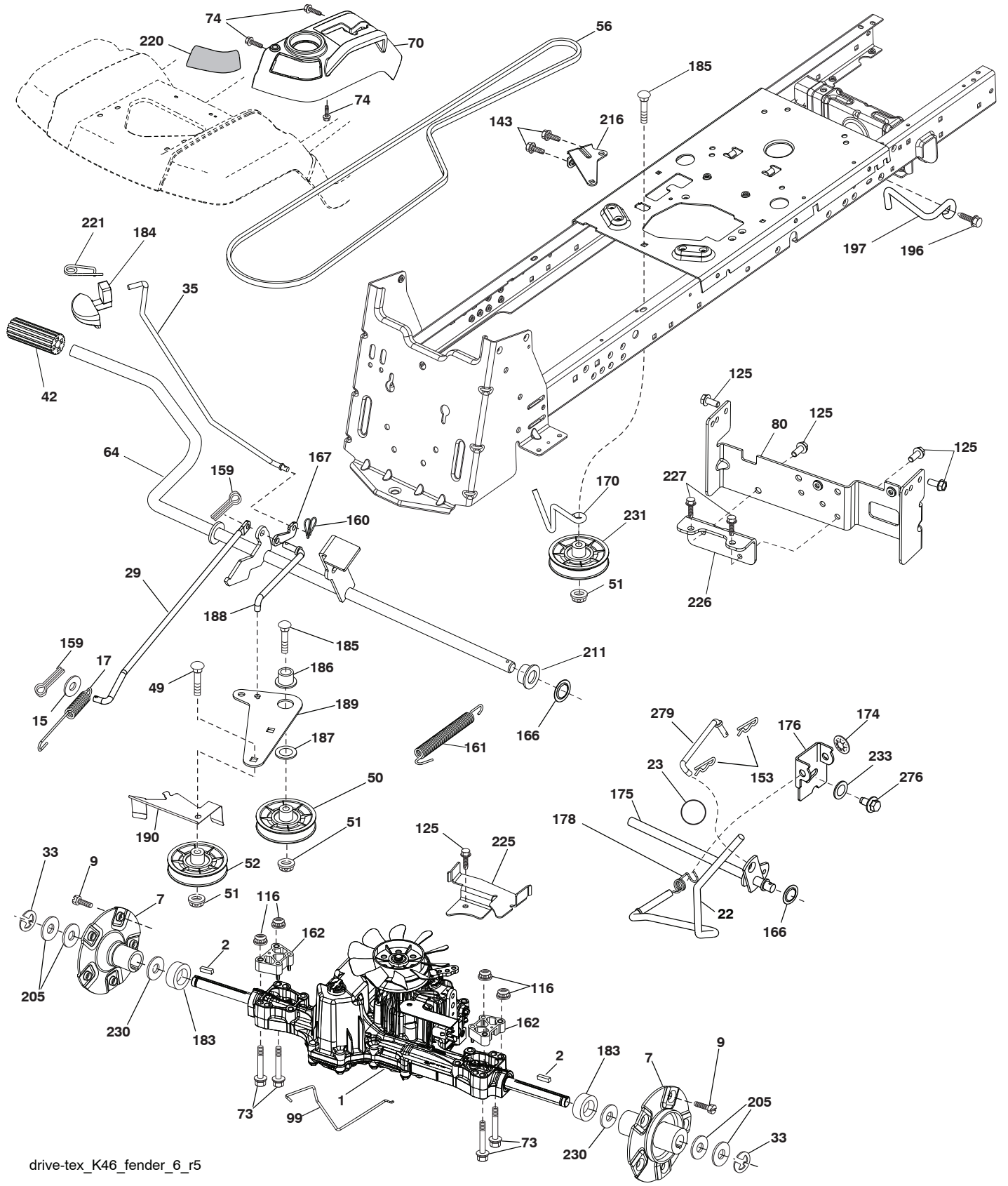
NOTE: All component dimensions given in U.S. inches
1 inch = 25.4 mm

**TRACTOR - MODEL NO. LGT2654 (96045004000), PRODUCT NO. 960 45 00-40
CHASSIS**

| KEY NO. | PART NO. | DESCRIPTION | KEY NO. | PART NO. | DESCRIPTION |
|----------------|-----------------|-------------------------------|----------------|-----------------|-------------------------------|
| 3 | 532 43 97-52 | Applique | 196 | 532 43 97-16 | Console Asm. Deck Lift |
| 5 | 532 44 10-51 | Dash | 199 | 532 19 82-59 | Plate Deck Lift |
| 14 | 532 44 11-77 | Hood Asm. | 202 | 532 43 97-28 | Vent Side Hood RH |
| 15 | 532 43 97-33 | Lens LH | 203 | 532 43 97-27 | Vent Side Hood LH |
| 18 | 532 43 77-62 | Grille Asm. | 204 | 532 43 57-14 | Vent Asm Hood Top |
| 25 | 532 44 33-85 | Lens RH | 205 | 532 43 97-30 | Skirt Hood Side RH |
| 34 | 532 44 72-53 | Plate Engine | 206 | 532 43 97-29 | Skirt Hood Side LH |
| 36 | 817 06 05-12 | Screw 5/16-18 x 3/4 | 207 | 532 43 97-34 | Bezel RH |
| 37 | 532 44 12-08 | Fender | 208 | 532 43 97-35 | Bezel LH |
| 52 | 873 68 05-00 | Nut Crown Lock 5/16-18 | 213 | 874 76 05-12 | Bolt Hex Hd 5/16-18 unc x 3/4 |
| 58 | 532 19 43-14 | Bracket Fender | 214 | 532 19 91-45 | Clip Retainer |
| 68 | 817 49 05-08 | Screw 5/16-18 x 1/2 | 217 | 532 40 91-67 | Rod Pivot |
| 130 | 532 41 63-58 | Screw #10 x .750 BOS Thread | 218 | 532 19 63-95 | Hood Stop |
| 137 | 532 40 75-90 | Bumper Dash | 221 | 532 19 89-09 | Reflector LH |
| 150 | 532 43 97-74 | Duct Heat Hood | 228 | 532 19 51-61 | Stud Fastener |
| 151 | 532 43 66-70 | Bracket Pivot Hood | 234 | 532 40 47-42 | Bumper Hood |
| 152 | 532 43 98-70 | Shield Browning/Debris | 235 | 532 40 61-29 | Spacer Fender |
| 159 | 817 00 06-12 | Screw 3/8-16 x 3/4 | 236 | 873 93 05-00 | Nut Center Lock 5/16-18 unc |
| 161 | 532 43 99-29 | Console Fuel Window | 289 | 532 40 35-71 | Plug Cruise/Phone |
| 162 | 532 14 24-32 | Screw Hex Wsh Hi-Lo 1/4 x 1/2 | 297 | 532 43 74-56 | Insert LH |
| 165 | 532 19 68-26 | Bracket Support Tank | 335 | 532 44 82-04 | Cover Dash RH |
| 175 | 532 19 63-04 | Crossmember | 336 | 532 44 53-09 | Cover Dash LH |
| 176 | 532 40 07-76 | Screw 10-24 x 5/8 | 350 | 532 44 51-43 | Clip X-mas Tree |
| 177 | 532 19 52-27 | Bushing Steering | -- | 532 40 09-44 | Kit Bumper |
| 180 | 532 19 54-77 | Chassis | | | |
| 182 | 532 40 68-59 | Dash Lower | | | |
| 183 | 874 52 05-20 | Bolt 5/16-18 x 1-1/4 | | | |
| 189 | 817 00 05-12 | Screw 5/16-18 x 3/4 | | | |
| 191 | 532 43 74-55 | Insert RH | | | |
| 194 | 873 90 05-00 | Nut Lock Hex Flange 5/16-18 | | | |

NOTE: All component dimensions given in U.S. inches
1 inch = 25.4 mm

TRACTOR - MODEL NO. LGT2654 (96045004000), PRODUCT NO. 960 45 00-40 DRIVE



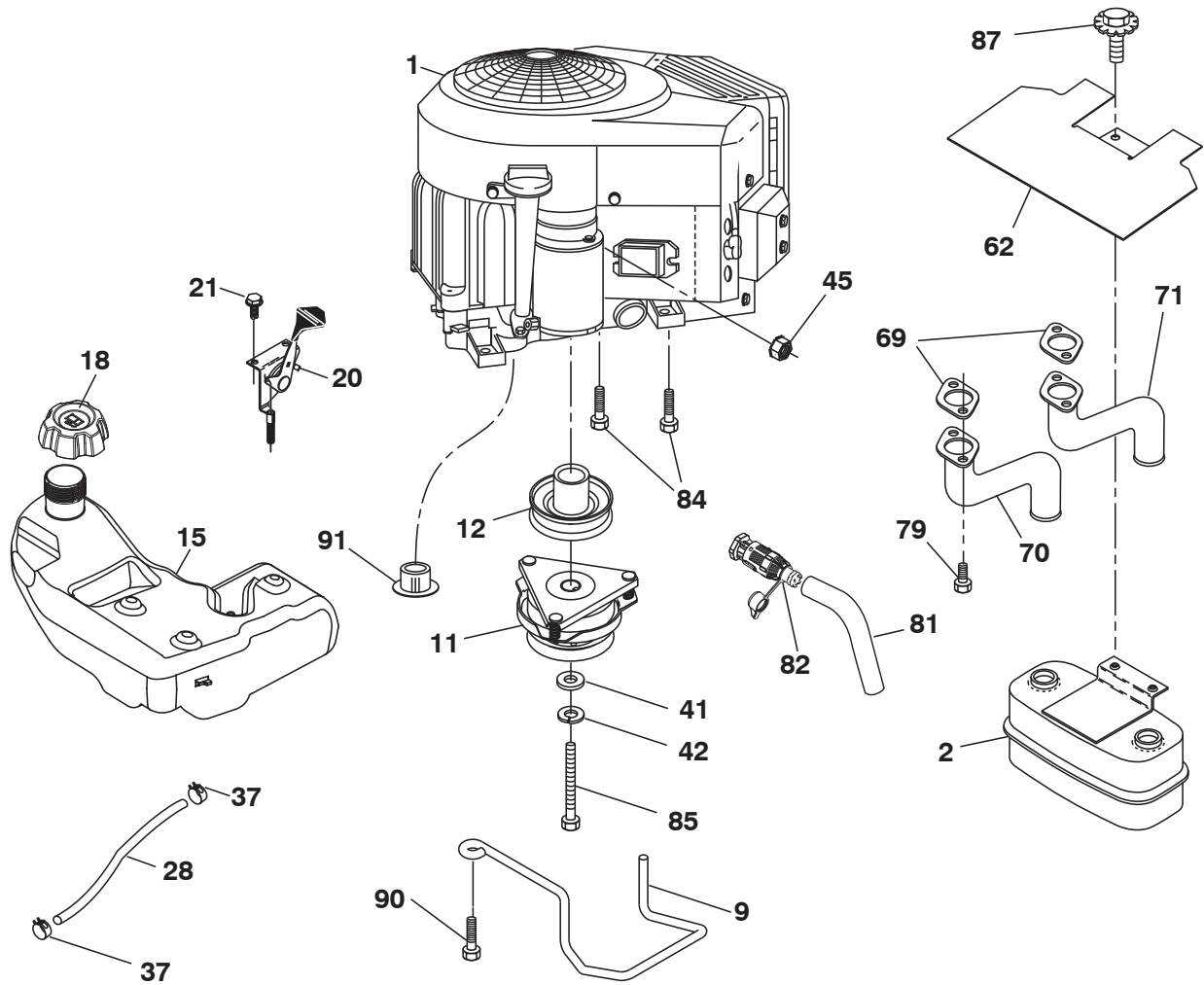
drive-tex_K46_fender_6_r5

**TRACTOR - MODEL NO. LGT2654 (96045004000), PRODUCT NO. 960 45 00-40
DRIVE**

| KEY NO. | PART NO. | DESCRIPTION | KEY NO. | PART NO. | DESCRIPTION |
|---------|--------------|---|---------|--------------|-------------------------------------|
| 1 | --- | Transaxle, TUFFTORQ K46 AW (448354) (Order parts from trans-axle manufacturer.) | 166 | 532 42 91-64 | Nut Push |
| 2 | 532 18 62-11 | Key | 167 | 532 40 52-57 | Latch Brake Parking |
| 7 | 532 19 98-44 | Hub Asm. Wheel Rear 22" TXGT.06 | 170 | 532 41 34-30 | Keeper Belt Centerspan |
| 9 | 532 14 00-80 | Bolt Hub Wheel Rear | 174 | 532 19 72-89 | Nut Push |
| 15 | 819 13 13-16 | Washer 13/32 x 13/16 x 16 Ga. | 175 | 532 40 62-08 | Shaft Asm Shift |
| 17 | 532 41 36-78 | Spring Brake | 176 | 532 19 62-14 | Arm Clevis Rod Shift |
| 22 | 532 19 73-29 | Rod Shift | 178 | 532 19 74-56 | Spring Shift |
| 23 | 532 14 08-45 | Knob | 183 | 532 40 04-24 | Spacer Split |
| 29 | 532 40 38-06 | Rod, Brake | 184 | 532 44 14-55 | Handle Parking Brake |
| 33 | 812 00 00-01 | Ring E | 185 | 872 11 06-22 | Bolt Rdhd Sqnk 3/8-16 x 2-3/4 Gr. 5 |
| 35 | 532 43 54-86 | Rod Brake Park | 186 | 532 19 43-21 | Spacer Retainer |
| 42 | 532 12 48-72 | Cover Foot Pedal | 187 | 819 13 32-10 | Washer |
| 49 | 872 11 06-14 | Bolt | 188 | 532 19 43-23 | Link Clutch Ground Drive |
| 50 | 532 19 43-27 | Pulley Idler Flat | 189 | 532 19 43-17 | Bellcrank Ground Drive |
| 51 | 873 90 06-00 | Lock Nut 3/8-16 | 190 | 532 19 43-18 | Keeper Bellcrank Ground Drive |
| 52 | 532 19 43-26 | Idler V-Groove | 196 | 817 00 06-16 | Screw 3/8-16 x 1 |
| 56 | 532 13 09-69 | V-Belt Drive | 197 | 532 19 97-69 | Link Clutch Anti-Rotation |
| 64 | 532 19 62-00 | Shaft Asm. Pedal Brake Control | 205 | 532 12 17-48 | Washer |
| 70 | 532 43 96-60 | Console Asm. | 211 | 532 19 62-12 | Bushing Brake Shaft |
| 73 | 874 49 05-60 | Bolt Hex Flghd 5/16-18 3.75 | 216 | 532 19 61-31 | Bracket Pulley Idler |
| 74 | 532 14 24-32 | Screw 1/4 x 1/2 | 220 | 532 19 89-08 | Reflector RH |
| 80 | 532 44 06-19 | Strap Torque | 221 | 532 40 31-87 | Retainer Spring Clip Handle |
| 99 | 532 41 57-43 | Rod Bypass | 225 | 532 40 33-19 | Keeper Belt Trans. |
| 116 | 873 90 05-00 | Nut Lock Hex Flange 5/16-18 | 226 | 532 40 08-31 | Bracket Mount Torque |
| 125 | 817 00 05-12 | Screw 5/16-18 x 3/4 | 227 | 817 49 05-12 | Screw 5/16-18 x 3/4 |
| 143 | 817 49 05-08 | Screw 5/16-18 x 1/2 | 230 | 532 18 89-67 | Washer Hardened |
| 153 | 532 12 47-88 | Retainer Spring | 231 | 532 40 72-87 | Idler V-Groove 1.688" Offset |
| 159 | 876 02 04-12 | Pin Cotter 1/8 x 3/4 | 233 | 532 40 52-96 | Washer Serrated |
| 160 | 532 16 94-84 | Retainer Clip | 276 | 874 78 07-16 | Bolt 7/16-14 x 1 Gr. 5 |
| 161 | 532 10 57-09 | Spring Return Clutch | 279 | 532 40 62-07 | Link Shift |
| 162 | 532 19 57-85 | Spacer Transaxle 18 and 22 | | | |

NOTE: All component dimensions given in U.S. inches
1 inch = 25.4 mm

**TRACTOR - MODEL NO. LGT2654 (96045004000), PRODUCT NO. 960 45 00-40
ENGINE**



29

SPARK ARRESTER KIT

engine-tex_bs-2cyl_85

TRACTOR - MODEL NO. LGT2654 (96045004000), PRODUCT NO. 960 45 00-40 ENGINE

| KEY NO. | PART NO. | DESCRIPTION |
|---------|--------------|---|
| 1 | ----- | Engine B&S Model No. 44P777-4448-G5 (445979) (Order parts from engine manufacturer.) |
| 2 | 532 44 59-62 | Muffler |
| 9 | 532 19 43-20 | Keeper Belt Engine |
| 11 | 532 17 93-35 | Clutch Electric |
| 12 | 532 19 43-43 | Pulley Engine |
| 15 | 532 43 80-81 | Tank Fuel 4.0 |
| 18 | 532 43 92-08 | Cap Fuel |
| 20 | 532 42 35-02 | Control Throttle/Choke |
| 21 | 532 41 63-58 | Screw #10 x .750 BOS Thread |
| 28 | 532 40 11-35 | Fuel Line |
| 29 | 532 13 71-80 | Spark Arrester Kit |
| 37 | 532 12 34-87 | Clamp Hose |
| 41 | 532 12 61-97 | Washer 1-1/2 OD x 15/32 ID x .250 |
| 42 | 810 04 07-00 | Washer Lock 7/16 |
| 45 | 873 51 04-00 | Nut Keps Hex 1/4-20 unc |
| 62 | 532 43 40-17 | Shield Heat Muffler |
| 69 | 532 16 53-91 | Gasket |
| 70 | 532 15 99-55 | Tube Exhaust LH |
| 71 | 532 16 05-89 | Tube Exhaust RH |
| 79 | 532 18 39-06 | Screw Socket Head 5/16-18 x 1 |
| 81 | 532 14 84-56 | Tube Drain Oil Easy |
| 82 | 532 42 82-87 | Valve Drain Oil |
| 84 | 817 06 06-20 | Screw 3/8-16 x 1-1/4 |
| 85 | 532 17 99-53 | Bolt Hex 7/16-20 x 3.75 Gr. 5 |
| 87 | 532 17 18-77 | Bolt 5/16-18 unc x 3/4 w/Sems |
| 90 | 817 00 06-16 | Screw 3/8-16 x 1 |
| 91 | 532 18 74-95 | Bushing |

NOTE: All component dimensions given in U.S. inches
1 inch = 25.4 mm

For engine service and replacement parts, call the toll free number
for your engine manufacturer listed below:

Briggs & Stratton 1-800-233-3723

Engine Power Rating Information

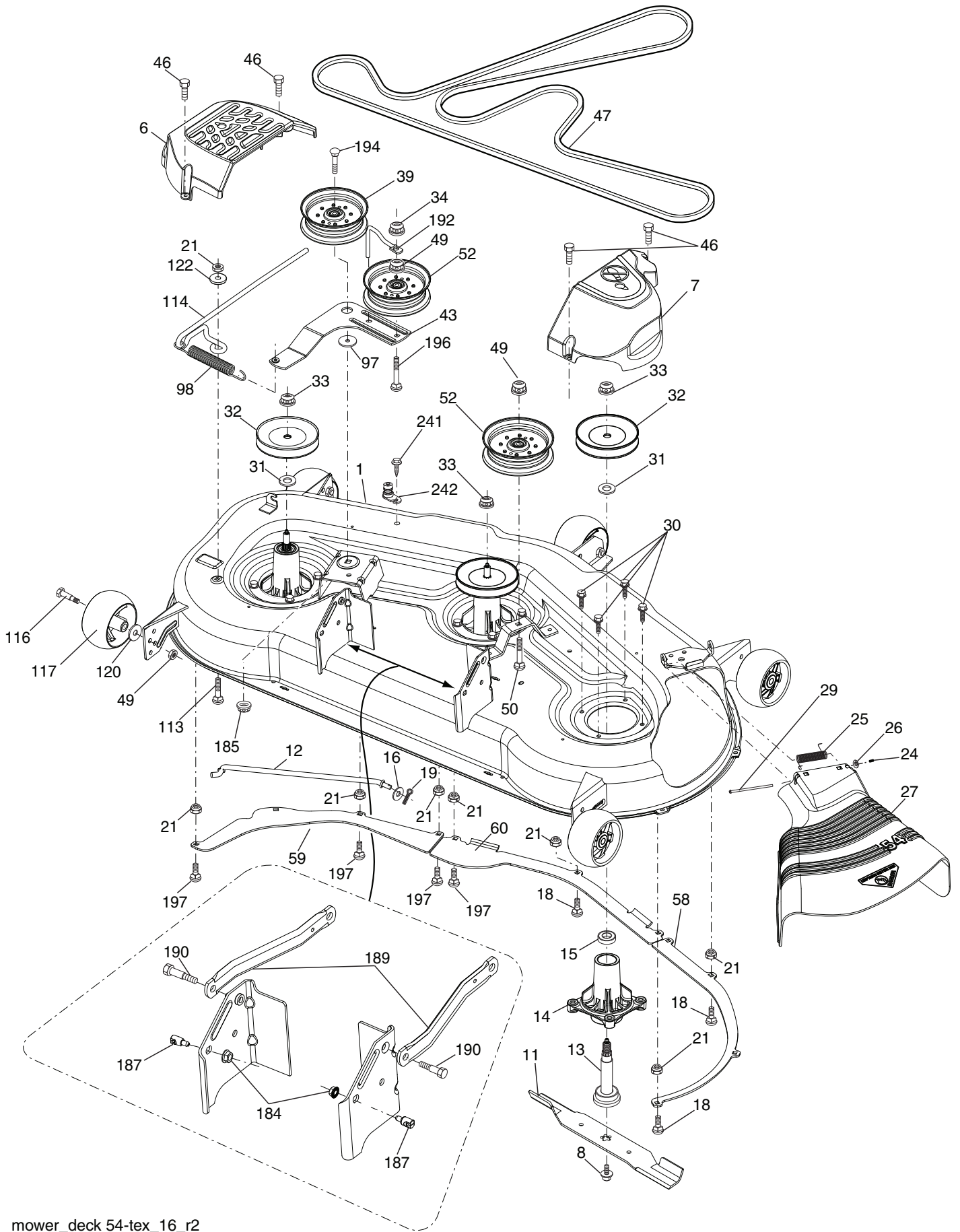
The gross power rating for individual gas engine models is labeled in accordance with SAE (Society of Automotive Engineers) code J1940 (Small Engine Power & Torque Rating Procedure), and rating performance has been obtained and corrected in accordance with SAE J1995 (Revision 2002-05). Torque values are derived at 3060 RPM; horsepower values are derived at 3600 RPM. Actual gross engine power will be lower and is affected by, among other things, ambient operating conditions and engine-to-engine variability. Given both the wide array of products on which engines are placed and the variety of environmental issues applicable to operating the equipment, the gas engine will not develop the rated gross power when used in a given piece of power equipment (actual "on-site" or net power). This difference is due to a variety of factors including, but not limited to, accessories (air cleaner, exhaust, charging, cooling, carburetor, fuel pump, etc.), application limitations, ambient operating conditions (temperature, humidity, altitude), and engine-to-engine variability. Due to manufacturing and capacity limitations, Briggs & Stratton may substitute an engine of higher rated power for this Series engine.

**TRACTOR - MODEL NO. LGT2654 (96045004000), PRODUCT NO. 960 45 00-40
STEERING ASSEMBLY**

| KEY NO. | PART NO. | DESCRIPTION |
|----------------|-----------------|-------------------------------------|
| 1 | 532 43 97-40 | Wheel, Steering |
| 2 | 532 19 59-68 | Axle Asm., Front |
| 4 | 532 40 30-89 | Spindle Asm., LH |
| 5 | 532 40 30-90 | Spindle Asm., RH |
| 6 | 532 12 49-31 | Bearing, Race Thrust Harden |
| 7 | 532 12 17-48 | Washer 25/32 x 1-5/8 x 16 Ga. |
| 8 | 812 00 00-29 | Ring, Clip #T5304-75 |
| 9 | 532 12 12-32 | Cap, Spindle |
| 13 | 532 12 17-49 | Washer 25/32 x 1-1/4 x 16 Ga. |
| 14 | 810 04 06-00 | Washer, Lock Hvy Hlcl Spr 3/8 |
| 15 | 873 54 06-00 | Nut, Crown Lock 3/8-24 unf |
| 16 | 532 40 82-19 | Shaft Steering |
| 19 | 532 19 47-29 | Plate Steering |
| 21 | 532 18 67-37 | Adapter, Wheel Steering |
| 22 | 532 42 05-37 | Supt. Lower, Strg. |
| 26 | 532 43 97-43 | Insert, Wheel Steering |
| 28 | 817 00 06-12 | Screw 3/8-16 x 3/4 |
| 35 | 532 19 47-32 | Gear, Sector Plate |
| 45 | 819 18 38-12 | Washer 9/16 x 2-3/8 x 12 Ga. |
| 51 | 873 94 08-00 | Nut Hex Jam Toplock 1/2-20 unf |
| 53 | 532 18 89-67 | Washer Hardened .793 x 1.637 x .060 |
| 57 | 532 19 72-46 | Bracket Upstop |
| 58 | 532 19 47-47 | Bolt Shoulder Sector Pivot CFM |
| 59 | 532 19 47-48 | Washer Thrust Sector Steering |
| 60 | 873 97 10-00 | Nut Flange Lock 5/8-11 |
| 61 | 532 19 47-40 | Draglink, LH |
| 62 | 532 19 47-41 | Draglink, RH |
| 63 | 817 00 05-12 | Screw 5/16-18 x 3/4 |
| 64 | 532 19 98-49 | Retainer Clip Spring Steering |
| 66 | 871 02 07-48 | Bolt Hex Fghd 7/16-14 x 3 Serr |
| 67 | 532 19 47-37 | Bushing PM Front Axle |
| 68 | 873 90 07-00 | Nut Lock Flange 7/16-14 Gr. 5 |
| 69 | 532 19 91-62 | Washer 1.5 x .505 x .118 |
| 70 | 532 19 61-97 | Bracket Deck Susp. Front |
| 122 | 532 44 49-62 | Gear Cap Sector |

NOTE: All component dimensions given in U.S. inches
1 inch = 25.4 mm

TRACTOR - MODEL NO. LGT2654 (96045004000), PRODUCT NO. 960 45 00-40
MOWER DECK



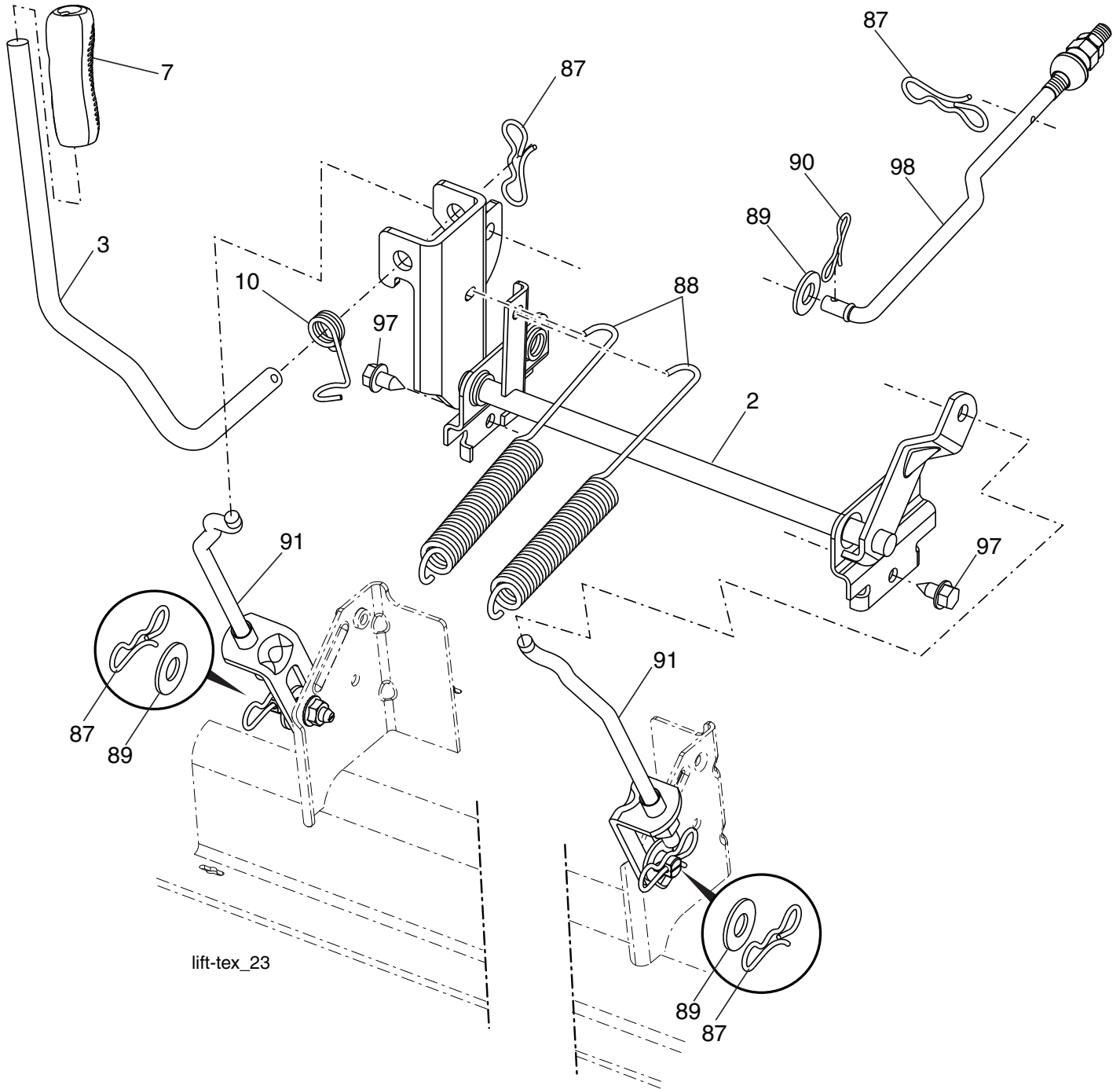
mower_deck 54-tex_16_r2

**TRACTOR - MODEL NO. LGT2654 (96045004000), PRODUCT NO. 960 45 00-40
MOWER DECK**

| KEY NO. | PART NO. | DESCRIPTION | KEY NO. | PART NO. | DESCRIPTION |
|----------------|-----------------|-------------------------------|----------------|-----------------|---|
| 1 | 532 44 50-61 | Deck Weldment Mower | 60 | 532 18 76-07 | Baffle Center |
| 6 | 532 19 60-66 | Cover Mandrel LH | 97 | 532 17 85-15 | Washer Hardened |
| 7 | 532 19 71-81 | Cover Mandrel RH | 98 | 532 19 61-05 | Spring Drive |
| 8 | 532 19 30-03 | Bolt 7/16 Asm. Blade | 113 | 872 11 05-08 | Bolt Rdhd Sqnk 5/16-18 x 3/4 |
| 11 | 532 18 72-56 | Blade Bagging | 114 | 532 18 75-56 | Rod Tension Relief |
| 12 | 532 40 48-51 | Rod Anti Sway | 116 | 532 19 34-06 | Bolt, Shoulder |
| 13 | 532 18 72-91 | Shaft Asm. w/Lower Bearing | 117 | 532 17 48-73 | Gauge Wheel |
| 14 | 532 18 72-81 | Housing, Mandrel | 120 | 819 13 20-12 | Washer 13/32 x 1-1/4 x 12 Ga. |
| 16 | 819 13 13-12 | Washer 3/8 | 122 | 532 18 75-57 | Bushing Tension Relief |
| 15 | 532 11 04-85 | Bearing, Ball, Mandrel | 185 | 873 90 07-00 | Nut Lock Flange 7/16-14 Gr. 5 |
| 18 | 872 14 05-05 | Bolt Carriage 5/16-18 x 5/8 | 187 | 532 19 51-61 | Stud Fastener w/"D" Anti-Rotation |
| 19 | 532 19 42-08 | Pin Cotter 5/16 Bowtie | 188 | 873 90 05-00 | Nut Lock Hex Flange |
| 21 | 873 68 05-00 | Nut, Crownlock 5/16-18 unc | 189 | 532 19 51-85 | Arm Susp. Mower Rear |
| 24 | 532 10 53-04 | Cap Sleeve | 190 | 532 19 65-39 | Bolt Shoulder |
| 25 | 532 17 81-02 | Spring, Torsion | 192 | 532 19 84-68 | Keeper Belt Idler |
| 26 | 532 11 04-52 | Nut, Push | 194 | 874 49 07-36 | Bolt Carr Sqnk 7/16-24 x 2 |
| 27 | 532 18 89-38 | Deflector Shield | 196 | 872 14 06-20 | Bolt Rdhd 3/8-16 x 2-1/2 Gr. 5 |
| 29 | 532 13 14-91 | Rod, Hinge | 197 | 872 14 05-05 | Bolt Rdhd Sqnk 5/16-18 x 5/8 |
| 30 | 532 17 39-84 | Screw, Thdroll Washer Head | 241 | 532 15 29-27 | Screw |
| 31 | 532 18 76-90 | Washer, Spacer Mower Vented | 242 | 532 41 55-98 | Washout Port |
| 32 | 532 15 35-35 | Pulley, Mandrel | -- | 532 41 64-05 | Coupling, Quick Connect |
| 33 | 532 40 02-34 | Nut, Flg. Top Lock | -- | 532 18 72-92 | Mandrel Assembly (Includes housing, shaft assembly, and bearing only - pulley/nut/washer and blade bolt/washers not included) |
| 34 | 873 68 06-00 | Nut Crownlock 3/8-16 unc | -- | 532 41 82-29 | Replacement Mower, Complete |
| 39 | 532 19 73-80 | Pulley, Idler, Stationary LH | | | |
| 43 | 532 19 60-65 | Arm, Idler | | | |
| 46 | 532 13 77-29 | Screw, Thdroll. 1/4-20 x 5/8 | | | |
| 47 | 532 19 61-03 | Belt Deck Drive | | | |
| 49 | 873 90 06-00 | Nut, Lock Flg. 3/8-16 unc | | | |
| 50 | 872 11 06-16 | Bolt Rdhd Sqnk 3/8-16 unc x 2 | | | |
| 52 | 532 19 73-79 | Pulley Idler | | | |
| 58 | 532 18 73-42 | Baffle Right | | | |
| 59 | 532 18 73-44 | Baffle Left | | | |

NOTE: All component dimensions given in U.S. inches
1 inch = 25.4 mm

**TRACTOR - MODEL NO. LGT2654 (96045004000), PRODUCT NO. 960 45 00-40
MOWER LIFT**

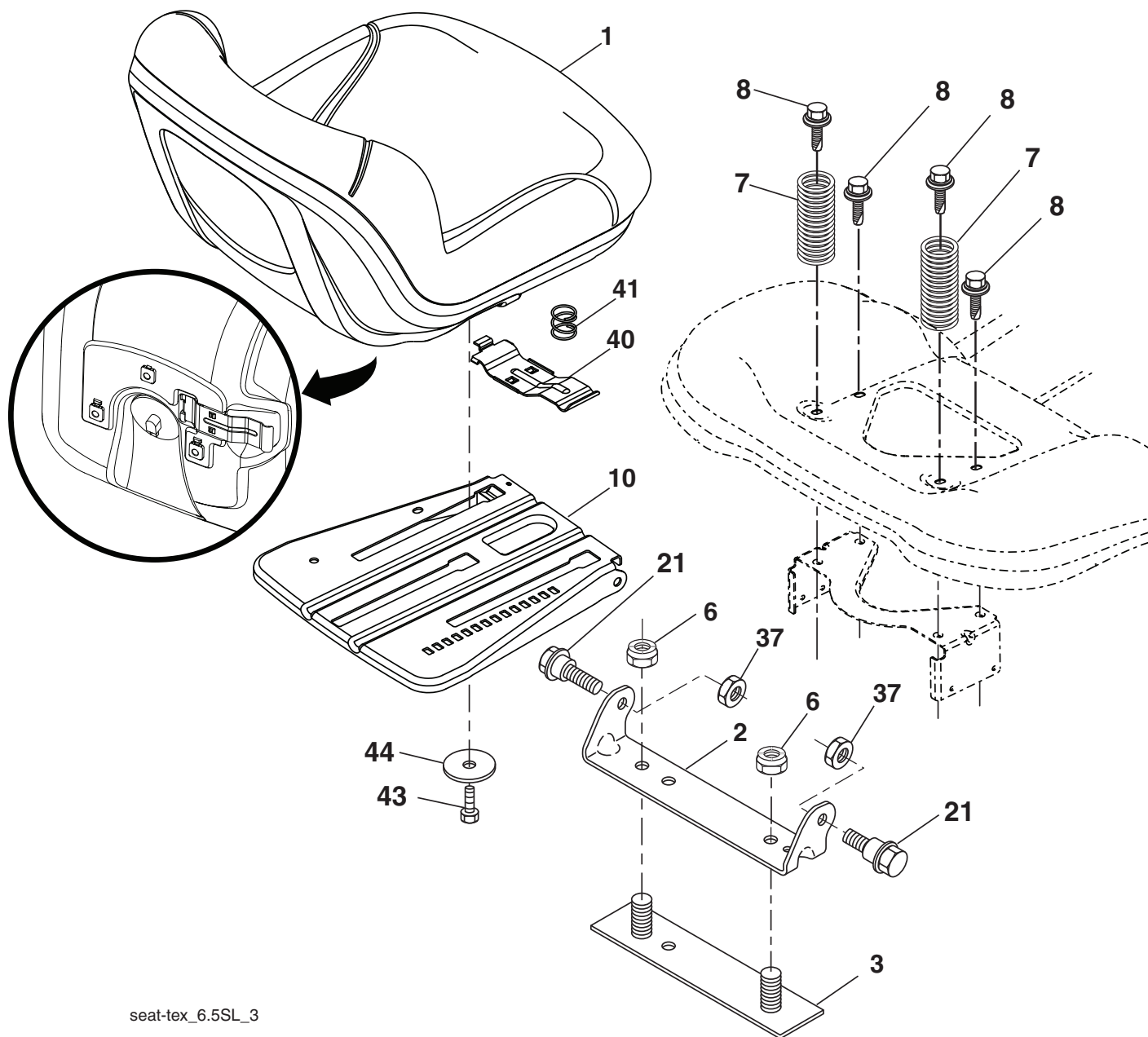


| KEY NO. | PART NO. | DESCRIPTION |
|---------|--------------|------------------------------|
| 2 | 532 42 20-27 | Shaft Asm., Lift |
| 3 | 532 19 52-30 | Lever Asm., Lift RH |
| 7 | 580 96 23-01 | Grip, Lever |
| 10 | 532 19 63-14 | Spring Torsion |
| 87 | 532 19 42-09 | Pin Cotter 7/16 Bow Tie Lock |
| 88 | 532 19 53-04 | Spring Lift Assist |
| 89 | 819 19 19-12 | Washer Clear Zinc |

| KEY NO. | PART NO. | DESCRIPTION |
|---------|--------------|------------------------------|
| 90 | 532 19 42-08 | Pin Cotter 5/16 Bow Tie Lock |
| 91 | 532 40 34-07 | Link Lift Susp Mower Rear |
| 97 | 817 00 06-12 | Screw 3/8-16 x 3/4 |
| 98 | 532 19 52-64 | Link Lift Susp. Front Mower |

NOTE: All component dimensions given in U.S. inches
1 inch = 25.4 mm

TRACTOR - MODEL NO. LGT2654 (96045004000), PRODUCT NO. 960 45 00-40 SEAT ASSEMBLY



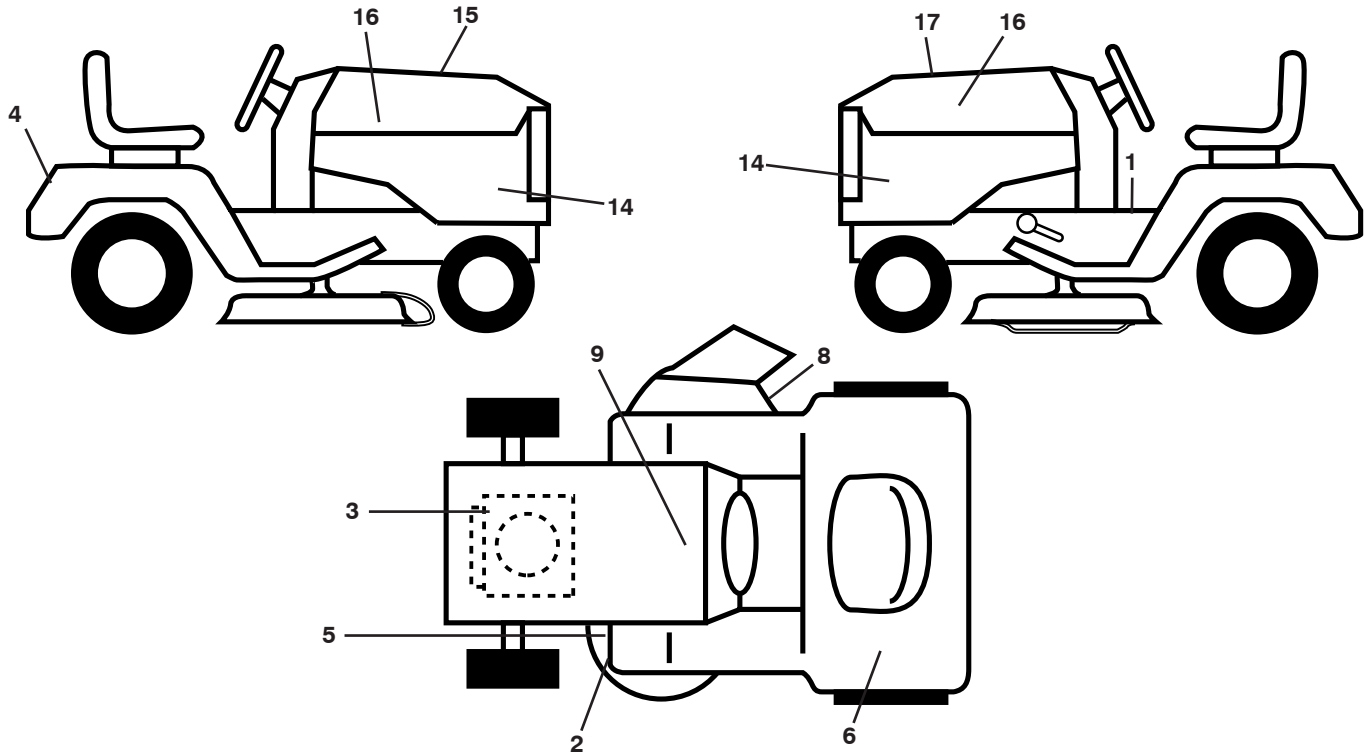
seat-tex_6.5SL_3

| KEY NO. | PART NO. | DESCRIPTION |
|---------|--------------|-------------------------------|
| 1 | 532 43 98-22 | Seat |
| 2 | 532 18 01-66 | Bracket Pivot Fender |
| 3 | 532 14 06-75 | Strap, Asm Fender |
| 6 | 873 80 06-00 | Nut, Lock w/Ins. 3/8-16 unc |
| 7 | 532 12 41-81 | Spring, Seat Cprsn |
| 8 | 532 17 18-77 | Bolt 5/16-18 unc x 3/4 w/Sems |
| 10 | 532 19 69-77 | Pan, Seat |
| 21 | 532 17 18-52 | Bolt, Shoulder 5/16-18 |

| KEY NO. | PART NO. | DESCRIPTION |
|---------|--------------|-------------------------------|
| 37 | 873 80 05-00 | Nut, Lock 5/16-18 unc |
| 40 | 532 19 76-61 | Handle Slide Seat |
| 41 | 532 19 82-00 | Spring Latch Seat |
| 43 | 874 76 06-12 | Bolt 3/8-16 x 3/4 |
| 44 | 819 13 38-12 | Washer 13/32 x 2-3/8 x 12 Ga. |

NOTE: All component dimensions given in U.S. inches
1 inch = 25.4 mm

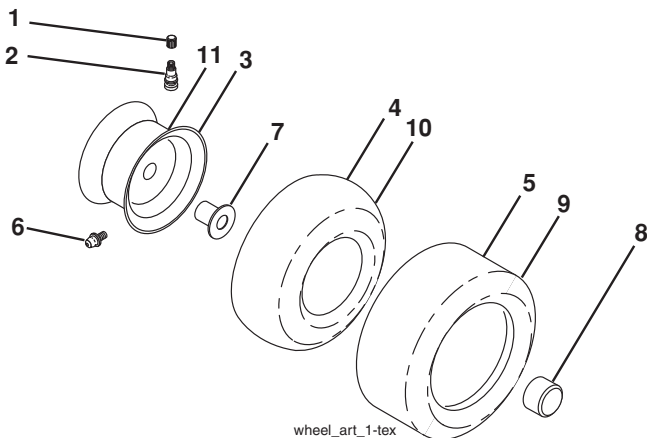
**TRACTOR - MODEL NO. LGT2654 (96045004000), PRODUCT NO. 960 45 00-40
DECALS**



| KEY NO. | PART NO. | DESCRIPTION |
|---------|--------------|-------------------------|
| 1 | 532 41 91-38 | Decal, Warning |
| 2 | 532 17 05-63 | Decal, Mower |
| 3 | 532 43 50-97 | Decal, Eng B&S HP |
| 4 | 532 19 15-54 | Decal, Fender |
| 5 | 532 17 84-55 | Decal, Caution |
| 6 | 580 88 58-01 | Decal, E85 Warning |
| 8 | 532 19 87-85 | Decal, Mower Sch. |
| 9 | 532 14 50-05 | Decal, Battery Dnge/Poi |
| 14 | 532 44 64-69 | Decal, Panel Side |

| KEY NO. | PART NO. | DESCRIPTION |
|---------|--------------|--------------------------------------|
| 15 | 532 42 38-29 | Decal, Warning Customer Resp. |
| 16 | 532 42 91-96 | Decal, Hood Logo |
| 17 | 580 95 58-01 | Decal, Replacement |
| -- | 532 16 69-60 | Decal, Bypass |
| -- | 532 43 98-82 | Pad, Footrest, LH |
| -- | 532 44 15-42 | Pad, Footrest, RH |
| -- | 580 95 96-27 | Manual, Operator's (English/Spanish) |
| -- | 580 95 98-27 | Manual, Parts (English/Spanish) |

WHEELS AND TIRES



| KEY NO. | PART NO. | DESCRIPTION |
|---------|--------------|------------------------------------|
| 1 | 532 05 91-92 | Cap, Valve, Tire |
| 2 | 532 06 51-39 | Stem, Valve |
| 3 | 532 18 18-39 | Rim Assembly, Front |
| 4 | 532 00 81-34 | Tube, Front (Service Item Only) |
| 5 | 532 10 62-30 | Tire, Front |
| 6 | 532 12 49-57 | Fitting, Grease (Front Wheel Only) |
| 7 | 532 12 49-59 | Bearing, Flange (Front Wheel Only) |
| 8 | 532 17 50-39 | Cap, Axle |
| 9 | 532 18 47-08 | Tire, Rear |
| 10 | 532 00 71-54 | Tube, Rear (Service Item Only) |
| 11 | 532 40 17-82 | Rim Assembly, Rear |
| -- | 532 14 43-34 | Sealant, Tire (10 oz. Tube) |

NOTE: All component dimensions given in U.S. inches
1 inch = 25.4 mm

05/01/2012 TH