

Gasoline containing up to 10% ethanol (E10) is acceptable for use in this machine. The use of any gasoline exceeding 10% ethanol (E10) will void the product warranty.

Parts Manual

RZ4623 / 967009801



Please read the operator's manual carefully and make sure you understand the instructions before using the machine.

When you need spare parts or support in service questions, warranty issues, etc., please consult the following professional:

| | | |
|-------------------------------------------------------------------------|--------|--------------|
| | | |
| This Parts Manual belongs to the machine with the manufacturing number: | Engine | Transmission |

Manufacturing Number

The machine's manufacturing number can be found on the printed plate affixed to the engine compartment.

Stated on the plate, from the top are:

- The machine's type designation (I.D.).
- The manufacturer's type number (Model).
- The machine's serial number (Serial no.)

Please have the type designation and serial number available when ordering spare parts.

The engine's manufacturing number is stamped on one of the valve covers.

The plate states:

- The engine's model.
- The engine's type.
- Code

Please have these available when ordering spare parts.

The wheel motors and hydrostatic pumps have a barcode decal affixed at the rear.

Accessories Available

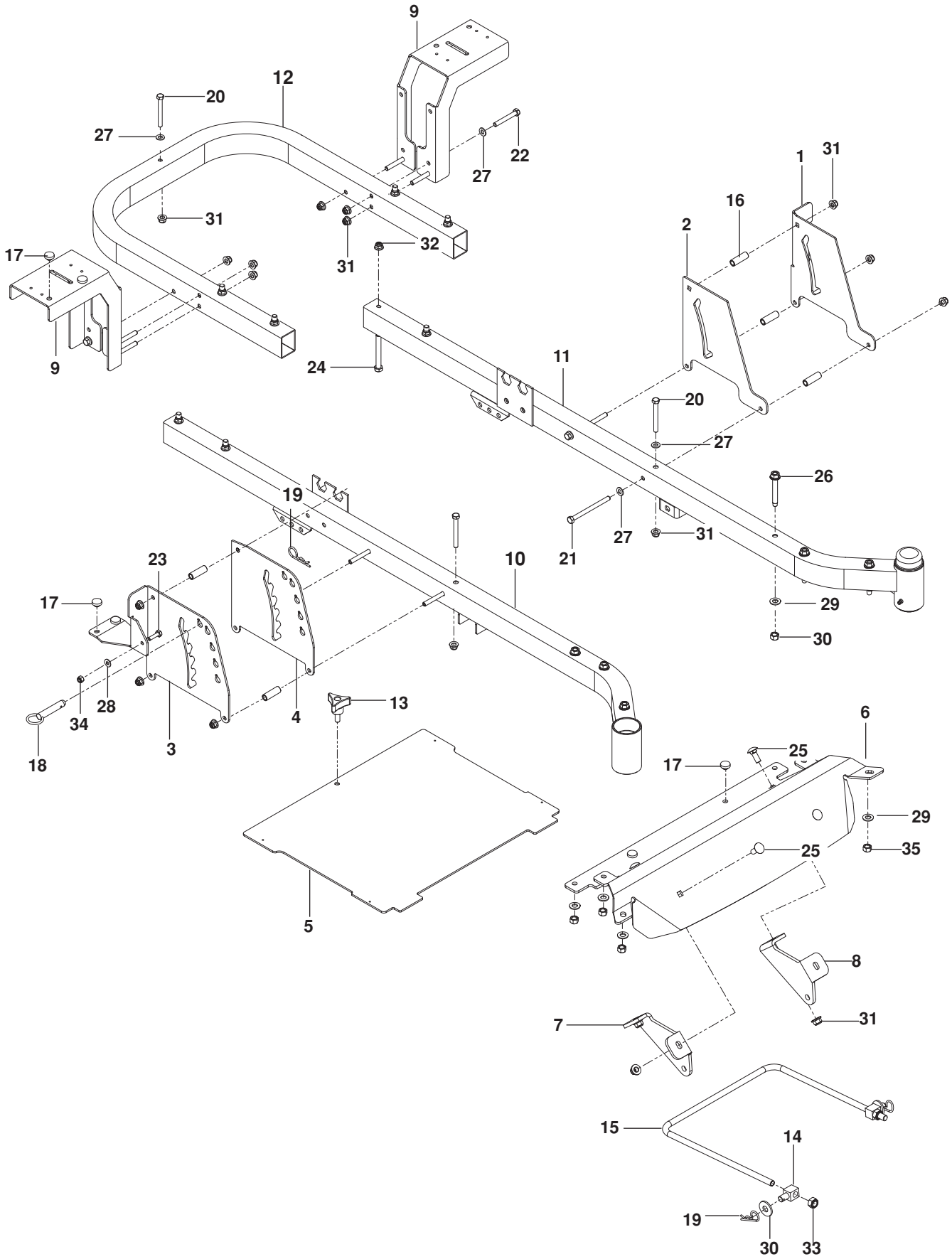
| | |
|------------------------|------------|
| Collection System..... | 966 004101 |
| Mulch Kit..... | 531 309580 |

CONTENTS

| | |
|--------------------------------|----|
| FRAME..... | 4 |
| ENGINE PLATE..... | 6 |
| STEERING | 8 |
| IGNITION..... | 10 |
| BRAKE / LIFT..... | 12 |
| HYDRAULIC PUMP / MOTOR | 14 |
| WHEELS AND TIRES..... | 16 |
| MOWER DECK / CUTTING DECK..... | 18 |
| SEAT | 20 |
| DECALS..... | 22 |
| ACCESSORIES | |
| BAGGER..... | 24 |
| CHUTES, MOUNT..... | 26 |

NOTE: ALL FASTENERS ARE GRADE 5 UNLESS OTHERWISE SPECIFIED.

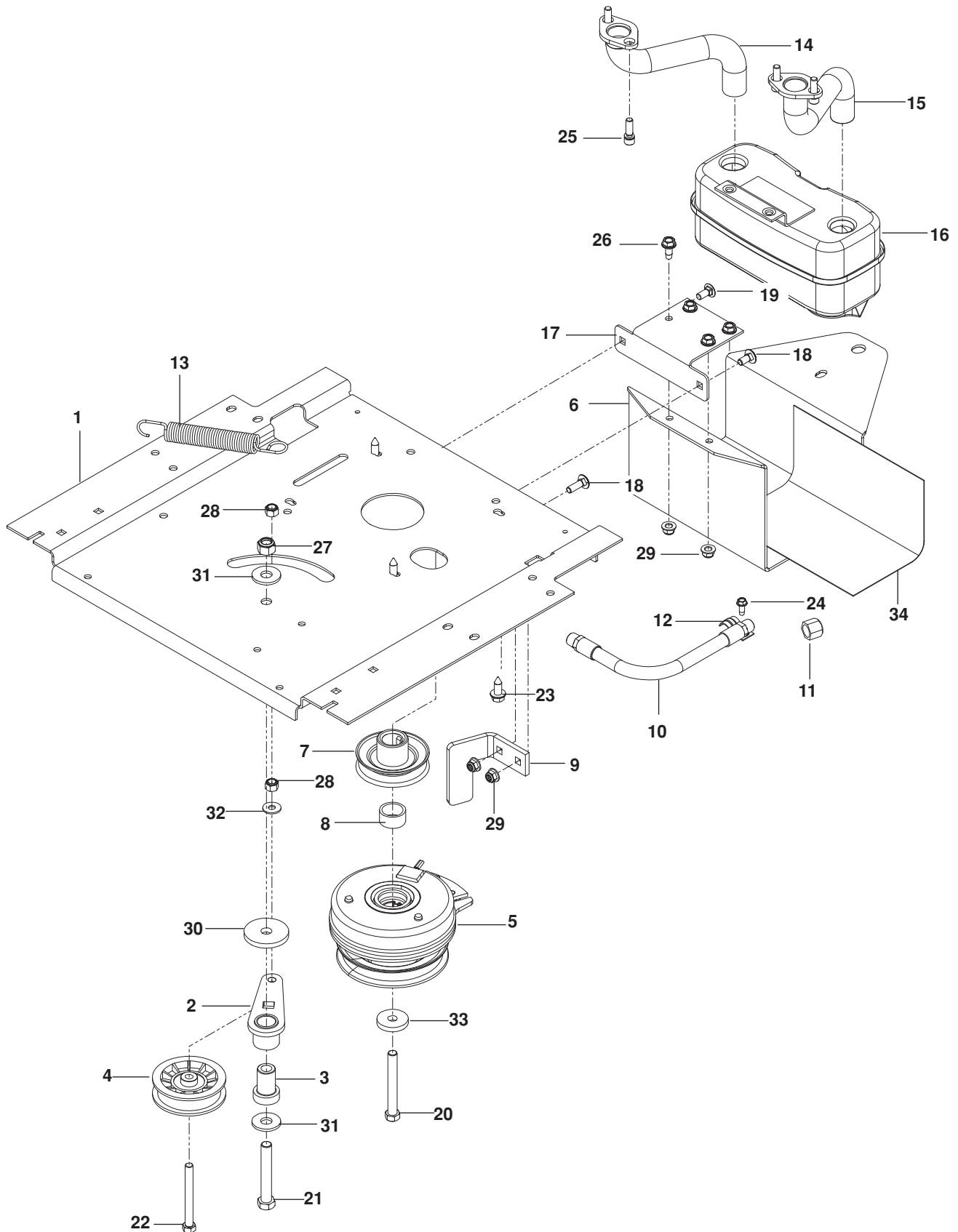
FRAME



FRAME

| ITEM | PART NO. | QTY. | DESCRIPTION | ITEM | PART NO. | QTY. | DESCRIPTION |
|------|----------------|-------|------------------------------------------|------|----------------|--------|-------------------------------------------------|
| 1.. | 510 261802.... | 1.... | PLATE, OUTER BRAKE BLK | 19.. | 539 976989.... | 3.... | HAIRPIN |
| 2.. | 510 206703.... | 1.... | PLATE, BRAKE LATCH BLK | 20.. | 874 780544.... | 3.... | HCS $\frac{5}{16}$ -18 x $2\frac{3}{4}$ |
| 3.. | 510 245604.... | 1.... | PLATE, LIFT OUTER BLK | 21.. | 874 780564.... | 4.... | HCS $\frac{5}{16}$ -18 x 4 |
| 4.. | 510 240502.... | 1.... | PLATE, LIFT INNER BLK | 22.. | 874 780536.... | 6.... | HCS $\frac{5}{16}$ -18 x $2\frac{1}{4}$ |
| 5.. | 522 842902.... | 1.... | FOOT PLATE w/ SFTY DECLS | 23.. | 874 780416.... | 2.... | HCS $\frac{1}{4}$ -20 x 1 |
| 6.. | 522 719504.... | 1.... | FOOT REST ORG | 24.. | 874 780648.... | 8.... | HCS $\frac{3}{8}$ -16 x 3 |
| 7.. | 522 443302.... | 1.... | MOUNT, STRUT RT BLK | 25.. | 872 141608.... | 4.... | RHSNB $\frac{3}{8}$ -16 x 1 |
| 8.. | 522 443304.... | 1.... | MOUNT, STRUT LT BLK | 26.. | 817 490642.... | 6.... | BOLT $\frac{3}{8}$ -16 x $2\frac{5}{8}$ THD FRM |
| 9.. | 510 225902.... | 2.... | SUPPORT, FENDER BLK | 27.. | 819 111116.. | 13.... | WASHER $\frac{5}{16}$ SAE FLT |
| 10.. | 510 177503.... | 1.... | FRAME, FRONT RT ORG | 28.. | 819 091016.... | 2.... | WASHER $\frac{1}{4}$ FLT |
| 11.. | 510 177403.... | 1.... | FRAME, FRONT LT ORG | 29.. | 819 141614.... | 6.... | WASHER $\frac{3}{8}$ STD FLT |
| 12.. | 510 177603.... | 1.... | FRAME, REAR TUBE ORG | 30.. | 819 182212.... | 2.... | WASHER $\frac{1}{2}$ FLT |
| 13.. | 539 104411.... | 1.... | KNOB w/ STUD | 31.. | 539 112899.. | 15.... | NUT $\frac{5}{16}$ -18 HEX FLG NYLOC |
| 14.. | 539 114789.... | 2.... | SWIVEL | 32.. | 521 996501.... | 8.... | NUT $\frac{3}{8}$ -16 HEX FLG NYLOC |
| 15.. | 521 938101.... | 1.... | LINK, FRONT SUSPENSION | 33.. | 539 119124.... | 2.... | NUT $\frac{7}{16}$ -14 HEX NYLOC |
| 16.. | 515 988101.... | 6.... | SPACER $\frac{1}{2}$ OD x $1\frac{1}{2}$ | 34.. | 873 800400.... | 2.... | NUT $\frac{1}{4}$ -20 HEX NYLOC |
| 17.. | 539 102587.... | 6.... | GROMMET, BUMPER | 35.. | 539 200282.... | 6.... | NUT $\frac{3}{8}$ -16 HEX JAM NYLOC |
| 18.. | 539 102526.... | 1.... | LIFT PIN | | | | |

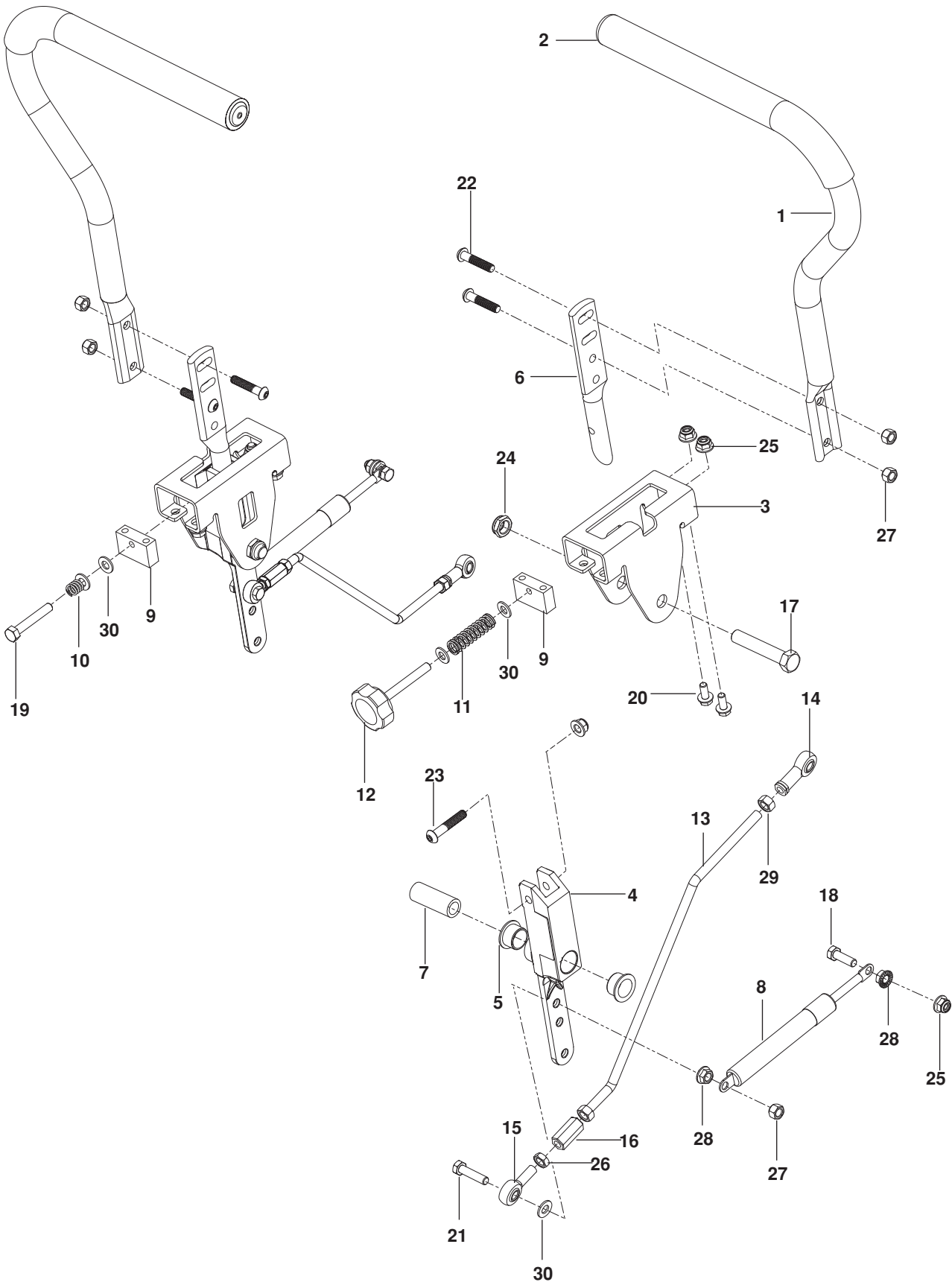
ENGINE PLATE



ENGINE PLATE

| ITEM | PART NO. | QTY. | DESCRIPTION | ITEM | PART NO. | QTY. | DESCRIPTION |
|------|----------------|-------|----------------------|------|----------------|-------|-------------------------------------------------|
| 1.. | 575 327002.... | 1.... | PLATE, ENGINE BLK | 18.. | 872 140508.... | 2.... | RHSNB $\frac{5}{16}$ -18 x 1 |
| 2.. | 539 112092.... | 1.... | ARM, IDLER | 19.. | 872 140506.... | 1.... | RHSNB $\frac{5}{16}$ -18 x $\frac{3}{4}$ |
| 3.. | 539 101231.... | 1.... | SPINDLE, IDLER | 20.. | 874 610756.... | 1.... | HCS $\frac{7}{16}$ -20 x $3\frac{1}{2}$ |
| 4.. | 539 110311.... | 1.... | PULLEY, IDLER | 21.. | 874 780852.... | 1.... | HCS $\frac{1}{2}$ -13 x $3\frac{1}{4}$ |
| 5.. | 505 287301.... | 1.... | CLUTCH, 105 FT/LBS | 22.. | 874 520656.... | 1.... | HCS $\frac{3}{8}$ -16 x $3\frac{1}{2}$ TPBLT |
| 6.. | 510 260502.... | 1.... | GUARD, MUFFLER BLK | 23.. | 532 120616.... | 4.... | HHFS $\frac{3}{8}$ -16 x 1 THD FRM |
| 7.. | 539 114530.... | 1.... | PULLEY, ENGINE | 24.. | 539 990362.... | 1.... | SCREW $\frac{1}{4}$ -20 x $\frac{5}{8}$ THD FRM |
| 8.. | 539 112252.... | 1.... | SPACER | 25.. | 532 183906.... | 4.... | SCREW $\frac{5}{16}$ -18 x 1 SCKT HD |
| 9.. | 510 246002.... | 1.... | STOP, CLUTCH BLK | 26.. | 817 490512.... | 4.... | BOLT $\frac{5}{16}$ -18 x $\frac{3}{4}$ THD FRM |
| 10.. | 539 101362.... | 1.... | HOSE, DRAIN | 27.. | 838 800800.... | 1.... | NUT $\frac{1}{2}$ -13 HEX NYLOC |
| 11.. | 539 101364.... | 1.... | PLUG, OIL | 28.. | 873 800600.... | 2.... | NUT $\frac{3}{8}$ -16 HEX NYLOC |
| 12.. | 539 101363.... | 1.... | CLAMP | 29.. | 539 112899.... | 5.... | NUT $\frac{5}{16}$ -18 HEX FLG NYLOC |
| 13.. | 532 196105.... | 1.... | SPRING, DECK DRIVE | 30.. | 539 112670.... | 1.... | WASHER, HEAVY |
| 14.. | 532 146699.... | 1.... | EXHAUST TUBE, RT | 31.. | 819 182212.... | 2.... | WASHER $\frac{1}{2}$ FLT |
| 15.. | 532 146700.... | 1.... | EXHAUST TUBE, LT | 32.. | 819 121414.... | 2.... | WASHER $\frac{5}{16}$ STD FLT |
| 16.. | 539 131604.... | 1.... | MUFFLER ASM TWIN | 33.. | 539 110064.... | 1.... | WASHER, CLUTCH |
| 17.. | 510 260402.... | 1.... | BRACKET, MUFFLER BLK | 34.. | 539 132859.... | 1.... | SHIELD, HEAT |

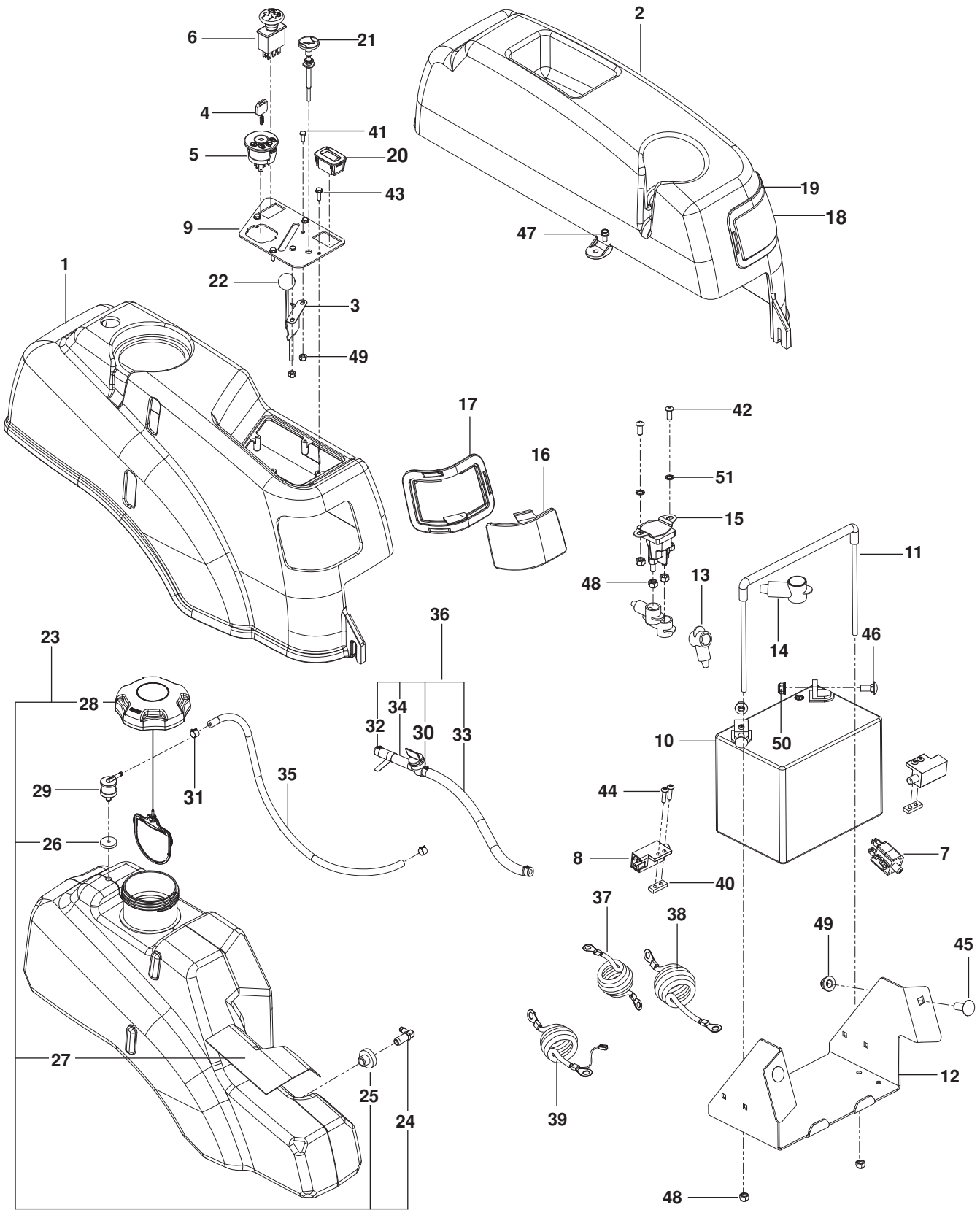
STEERING



STEERING

| ITEM | PART NO. | QTY. | DESCRIPTION | ITEM | PART NO. | QTY. | DESCRIPTION |
|------|----------------|-------|-----------------------|------|----------------|--------|------------------------------|
| 1.. | 579 036901.... | 2.... | LEVER w/ GRIP | 16.. | 539 116689.... | 2.... | COUPLER, ROD END |
| 2.. | 525 392901.... | 2.... | GRIP, FOAM | 17.. | 874 780844.... | 2.... | HCS 1/2-13 x 2 3/4 |
| 3.. | 577 251701.... | 2.... | BRACKET, CONTROL | 18.. | 874 780516.... | 2.... | HCS 5/16-18 x 1 |
| 4.. | 539 131518.... | 4.... | BEARING, FLANGE | 19.. | 874 780524.... | 1.... | HCS 5/16-18 x 1 1/2 |
| 5.. | 576 140301.... | 2.... | LEVER, CONTROL | 20.. | 874 490512.... | 8.... | HHFS 5/16-18 X 3/4 |
| 6.. | 577 420001.... | 2.... | LEVER, HANDLE | 21.. | 874 780528.... | 2.... | HCS 5/16-18 x 1 3/4 TPBLT |
| 7.. | 577 252401.... | 2.... | SPACER, PIVOT CONTROL | 22.. | 578 296402.... | 4.... | SCREW 5/16-18 X 1 1/2 BTN HD |
| 8.. | 539 102720.... | 2.... | DAMPENER | 23.. | 576 850402.... | 2.... | SCREW 5/16-18 X 1 3/4 BTN HD |
| 9.. | 577 251801 ... | 2.... | BLOCK, TRACKING | 24.. | 539 108010.... | 2.... | NUT 1/2-13 HEX JAM NYL GR2 |
| 10.. | 539 102845.... | 1.... | SPRING | 25.. | 539 112899.. | 10.... | NUT 5/16-18 HEX FLG NYLOC |
| 11.. | 576 850301.... | 1.... | SPRING | 26.. | 539 991073.... | 2.... | NUT 5/16-24 HEX JAM LH |
| 12.. | 539 131799.... | 1.... | KNOB | 27.. | 873 800500.... | 6.... | NUT 5/16-18 HEX NYLOC |
| 13.. | 580 624201.... | 2.... | ROD, MOTION CONTROL | 28.. | 539 990585.... | 4.... | NUT 5/16-18 HEX WHIZLK |
| 14.. | 539 115729.... | 2.... | ROD END RH | 29.. | 539 990223.... | 4.... | NUT 5/16-24 HEX |
| 15.. | 539 116690.... | 2.... | ROD END MALE LH | 30.. | 539 990188.... | 4.... | WASHER 5/16 SAE FLT |

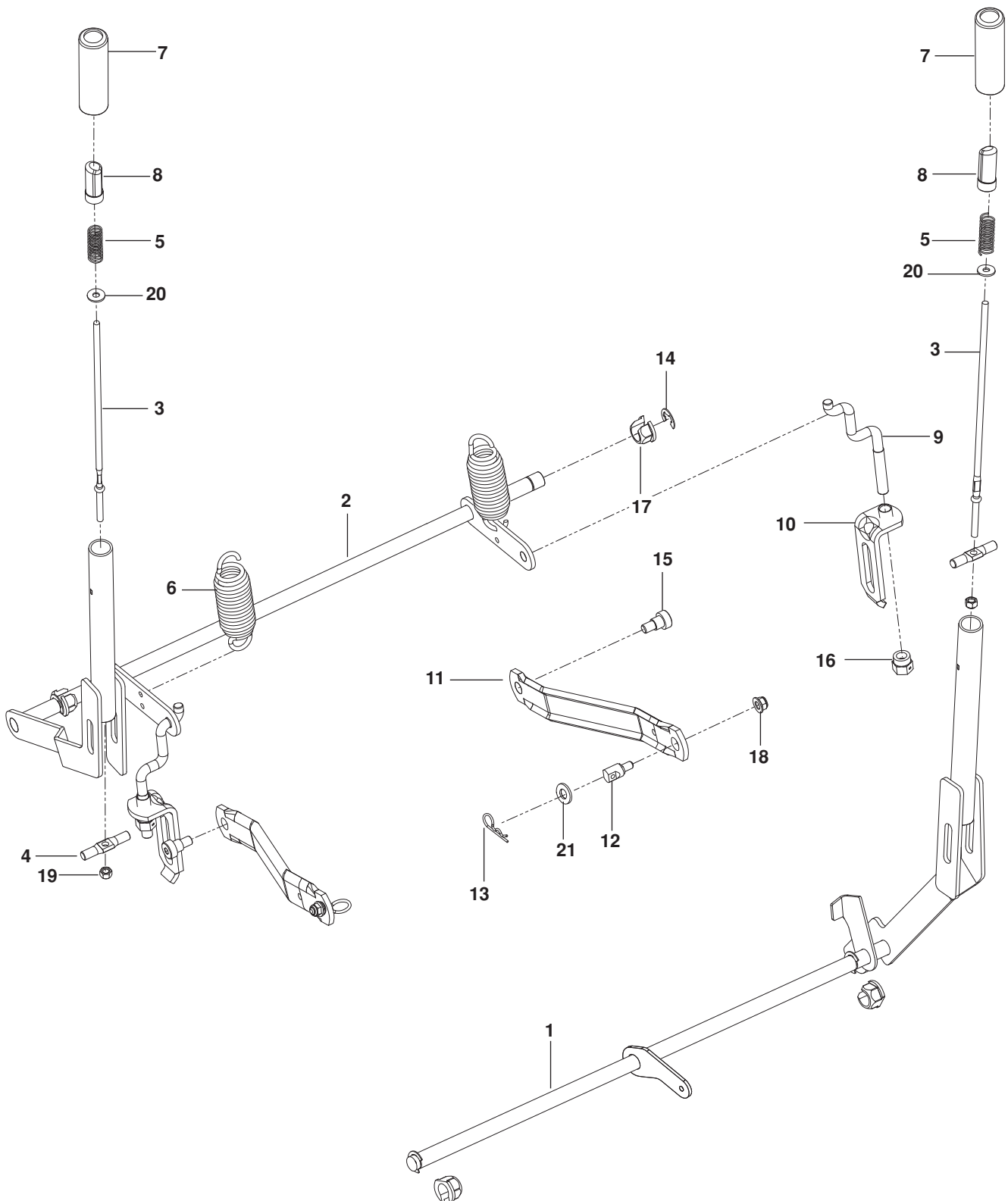
IGNITION



IGNITION

| ITEM | PART NO. | QTY. | DESCRIPTION | ITEM | PART NO. | QTY. | DESCRIPTION |
|------|----------------|-------|----------------------|----------------|----------------|-----------------|----------------------------|
| 1.. | 578 178901.... | 1.... | FENDER, RT GR | 28.. | 575 018101.... | 1.... | FUEL CAP w/ TETHER |
| 2.. | 539 130374.... | 1.... | FENDER, LT GR | 29.. | 576 618101.... | 1.... | VALVE, FUEL CHECK |
| 3.. | 539 102732.... | 1.... | CABLE, THROTTLE | 30.. | 539 916325.... | 1.... | VALVE, FUEL |
| 4.. | 532 140401.... | 1.... | KEY, IGNITION | 31.. | 575 436501.... | 2.... | CLAMP, HOSE |
| 5.. | 539 107541.... | 1.... | SWITCH, IGNITION | 32.. | 539 912222.... | 4.... | CLAMP, HOSE |
| 6.. | 532 174652.... | 1.... | SWITCH, CLUTCH | 33.. | 539 932956.... | 1.... | FUEL LINE 10" |
| 7.. | 539 113792.... | 1.... | SWITCH, BRAKE | 34.. | 505 215101.... | 1.... | FUEL LINE 2½" |
| 8.. | 532 109553.... | 2.... | SWITCH, NC | 35.. | 574 521302.... | 1.... | HOSE ³/₁₆" VAPOR 17¼" |
| 9.. | 539 112736.... | 1.... | PANEL, CONTROL | 36.. | 576 660701 ... | 1.... | FUEL LINE ASSY |
| 10.. | 539 102436.... | 1.... | BATTERY | 37.. | 539 103306.... | 1.... | CABLE, POSITIVE RED |
| 11.. | 539 131209.... | 1.... | TIE DOWN, BATTERY | 38.. | 539 110068.... | 1.... | CABLE, NEGATIVE BLK |
| 12.. | 510 231302.... | 1.... | BOX, BATTERY BLK | 39.. | 580 798001 ... | 1.... | CABLE w/ LEAD POSITIVE RED |
| 13.. | 539 116400.... | 3.... | TERMINAL COVER | 40.. | 539 102678.... | 2.... | PLATE, TAPPED |
| 14.. | 539 102759.... | 1.... | INSULATOR | 41.. | 539 990411.... | 2.... | SCREW 10-24 x ½ HEX HD |
| 15.. | 539 101714.... | 1.... | SOLENOID | 42.. | 539 111229.... | 2.... | SCREW ¼-20 x ⁵/₈ BTN SKT |
| 16.. | 539 110057.... | 1.... | LENS, RT | 43.. | 539 110673.... | 2.... | SCREW 10-24 x ¾ WSH HD |
| 17.. | 539 110451.... | 1.... | RIM, RT | 44.. | 574 822701.... | 4.... | SCREW 10-24 x ¾ SKT HD |
| 18.. | 539 110056.... | 1.... | LENS, LT | 45.. | 872 141608.... | 2.... | RHSNB ³/₈-16 x 1 |
| 19.. | 539 110455.... | 1.... | RIM, LT | 46.. | 872 140506.... | 2.... | RHSNB ⁵/₁₆-18 x ¾ |
| 20.. | 532 401763.... | 1.... | HOUR METER | 47.. | 539 108461.... | 2.... | BOLT ¼-20 x ½ |
| 21.. | 539 102733.... | 1.... | CONTROL, CHOKE | 48.. | 539 108120.... | 6.... | NUT ¼-20 HEX NYLOC |
| 22.. | 539 133049.... | 1.... | KNOB | 49.. | 539 976977.... | 2.... | NUT 10-24 HEX NYLOC |
| 23.. | 578 180601.... | 1.... | FUEL TANK ASSY | 50.. | 539 112899.... | 2.... | NUT ⁵/₁₆-18 HEX FLG NYLOC |
| 24.. | 539 110432.... | 1.... | ELBOW, TANK | 51.. | 539 990053.... | 2.... | WASHER ¼ ITLW |
| 25.. | 539 105245.... | 1.... | GROMMET | NOT SHOWN | | | |
| 26.. | 576 618201.... | 1.... | GROMMET, CHECK VALVE | 580 798101 ... | 1.... | HARNESS, WIRING | |
| 27.. | 522 559101.... | 1.... | SHIELD, HEAT | | | | |

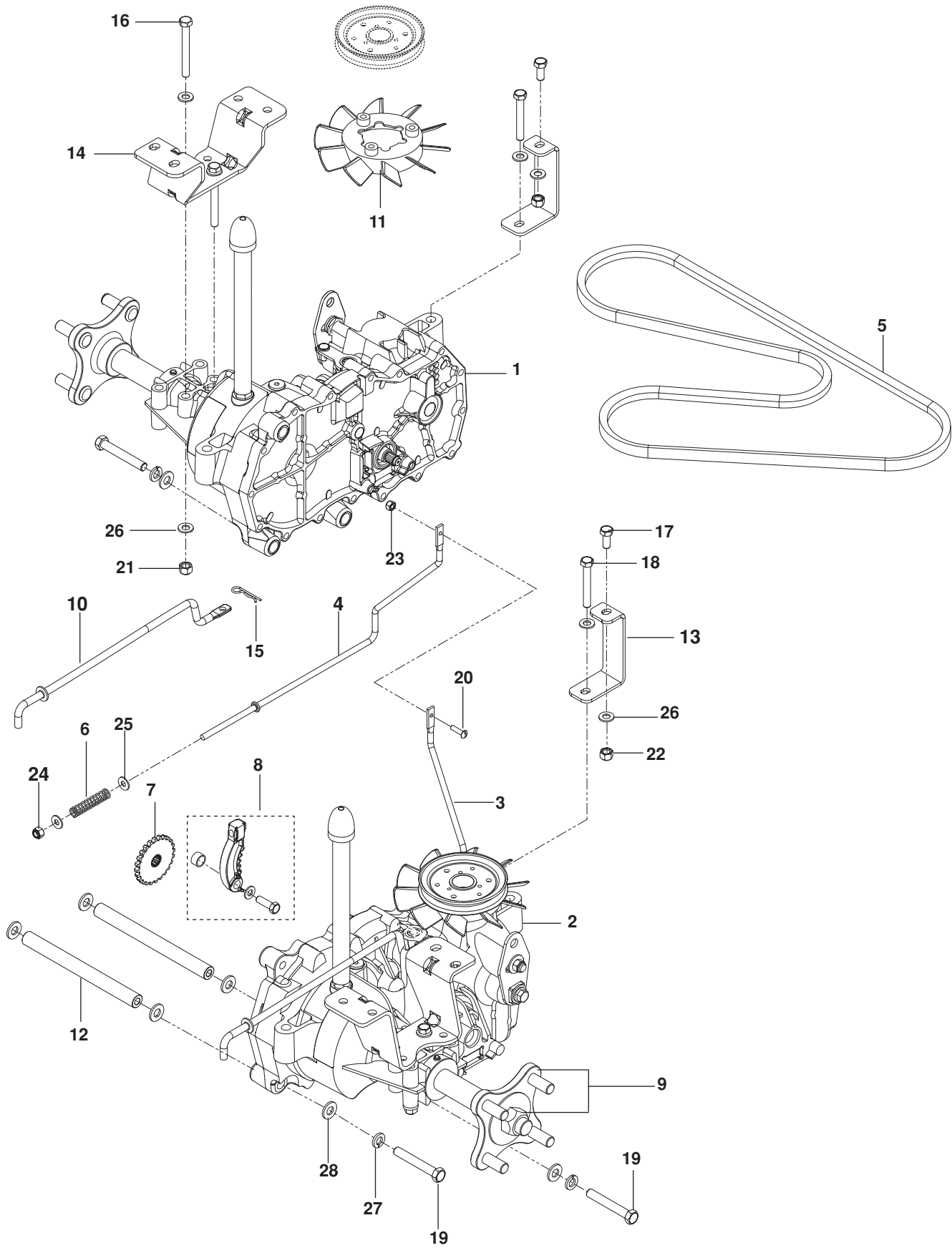
BRAKE / LIFT



BRAKE / LIFT

| ITEM | PART NO. | QTY. | DESCRIPTION | ITEM | PART NO. | QTY. | DESCRIPTION |
|------|----------------|-------|------------------------|------|----------------|-------|-------------------------------------------------|
| 1.. | 580 535802.... | 1.... | SHAFT, BRAKE BLK | 12.. | 532 195161.... | 2.... | STUD w/ANTI- ROTATE |
| 2.. | 574 216604.... | 2.... | SHAFT, LIFTING | 13.. | 539 976989.... | 2.... | HAIRPIN |
| 3.. | 510 422901.... | 2.... | ROD, HANDLE RELEASE | 14.. | 539 105069.... | 3.... | E-RING |
| 4.. | 516 008801.... | 1.... | ROD, LATCH RELEASE | 15.. | 539 113621.... | 2.... | BOLT $\frac{3}{8}$ -16 x $\frac{3}{8}$ SHOULDER |
| 5.. | 510 030701.... | 2.... | SPRING, COMPRESSION | 16.. | 532 175994.... | 2.... | NUT, LIFT LINK |
| 6.. | 539 118762.... | 2.... | SPRING | 17.. | 510 184901.... | 4.... | NUT, PLASTIC |
| 7.. | 510 207201.... | 2.... | GRIP, HANDLE | 18.. | 539 112899.... | 2.... | NUT $\frac{5}{16}$ -18 HEX FLG NYLOC |
| 8.. | 510 207301.... | 2.... | BUTTON, PUSH | 19.. | 539 976978.... | 2.... | NUT $\frac{1}{4}$ -20 HEX NYLOC |
| 9.. | 525 847201.... | 2.... | LINK, REAR SUSPENSION | 20.. | 539 976982.... | 2.... | WASHER $\frac{5}{8}$ SAE FLT |
| 10.. | 522 858601.... | 2.... | BRACKET, CENTERING LNK | 21.. | 539 990598.... | 4.... | WASHER $\frac{1}{4}$ FLT |
| 11.. | 532 195185.... | 2.... | ARM, SUSPENSION RR | | | | |

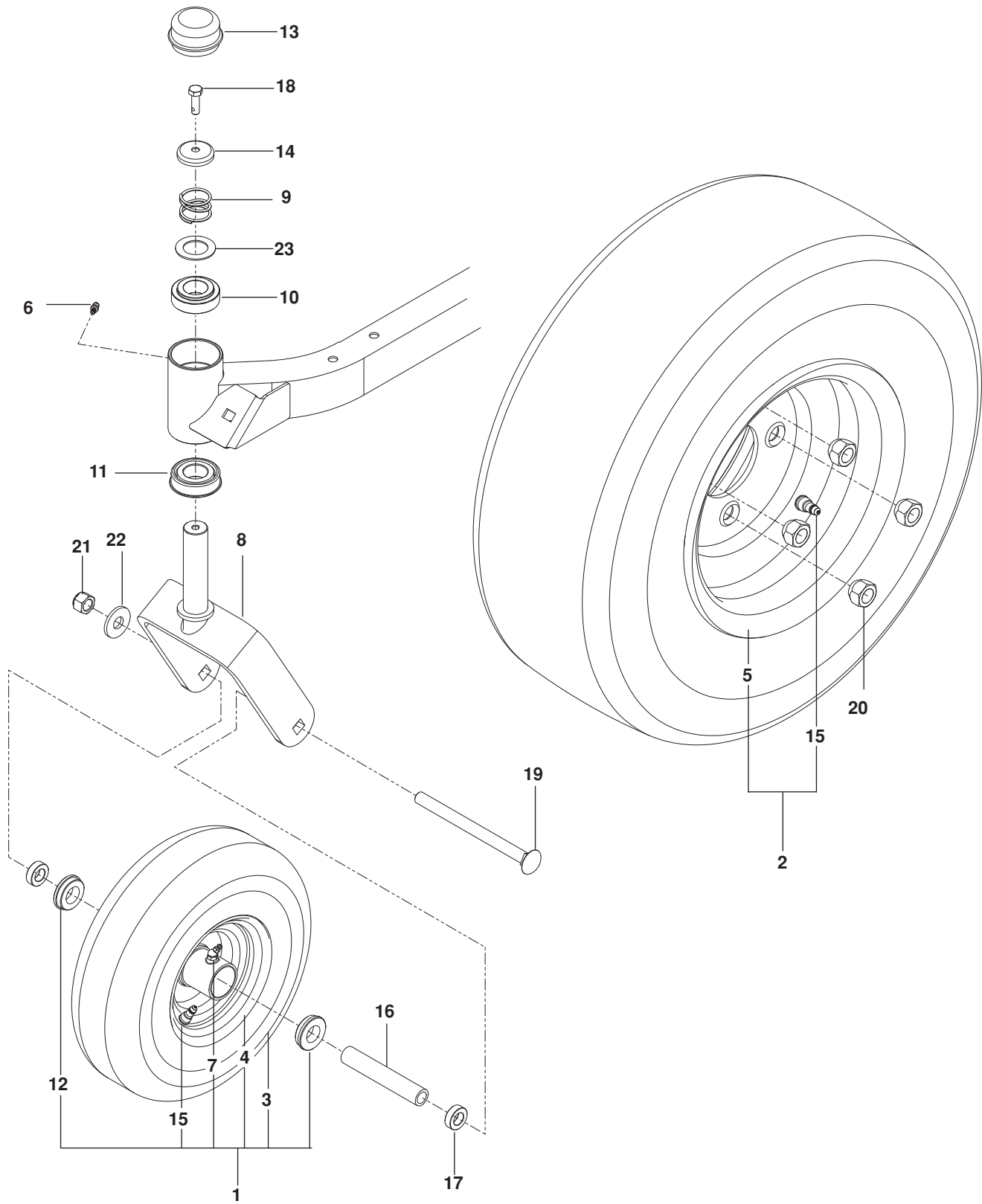
HYDRAULIC PUMP / MOTOR



HYDRAULIC PUMP / MOTOR

| ITEM | PART NO. | QTY. | DESCRIPTION | ITEM | PART NO. | QTY. | DESCRIPTION |
|------|----------------|-------|-----------------------|------|----------------|--------|---------------------------------|
| 1.. | 510 375601.... | 1.... | EZT, LT | 15.. | 539 976988.... | 1.... | HAIRPIN |
| 2.. | 510 375602.... | 1.... | EZT, RT | 16.. | 539 101721.... | 4.... | HCS $5/16$ -18 x $2\frac{3}{4}$ |
| 3.. | 574 030501.... | 1.... | ROD, EZT BRAKE LT | 17.. | 539 976934.... | 2.... | HCS $5/16$ -18 x $3/4$ |
| 4.. | 574 030502.... | 1.... | ROD, EZT BRAKE RT | 18.. | 539 976938.... | 2.... | HCS $5/16$ -18 x $2\frac{1}{4}$ |
| 5.. | 539 110411.... | 1.... | BELT, EZT | 19.. | 539 990637.... | 4.... | HCS $3/8$ -16 x $2\frac{1}{2}$ |
| 6.. | 539 110342.... | 2.... | SPRING, BRAKE ROD | 20.. | 539 108535.... | 1.... | SCREW 10-24 x $3/4$ SLTD RD |
| 7.. | 539 120080.... | 2.... | COG, BRAKE DISC | 21.. | 539 990717.. | 10.... | NUT $5/16$ -18 HEX NYLOC |
| 8.. | 539 120079.... | 2.... | BRAKE ARM KIT | 22.. | 539 115617.... | 2.... | NUT $5/16$ -18 NYLOC INSERT |
| 9.. | 575 507001.... | 1.... | HUB KIT w/ HUBS, NUTS | 23.. | 539 976977.... | 1.... | NUT 10-24 HEX NYLOC |
| 10.. | 522 941101.... | 2.... | LINK ARM, BYPASS | 24.. | 539 976978.... | 2.... | NUT $1/4$ -20 HEX NYLOC |
| 11.. | 539 120785.... | 2.... | BLADE, FAN | 25.. | 539 990055.... | 4.... | WASHER $1/4$ SAE FLT |
| 12.. | 510 184101.... | 2.... | SPACER TUBE | 26.. | 539 990188.. | 14.... | WASHER $5/16$ SAE FLT |
| 13.. | 522 460702.... | 2.... | SUPPORT, EZT FRT | 27.. | 539 990118.... | 4.... | WASHER $3/8$ SPLT LCK |
| 14.. | 510 185102.... | 2.... | MOUNT, EZT RR BLK | 28.. | 539 990122.... | 8.... | WASHER $3/8$ SAE FLT |

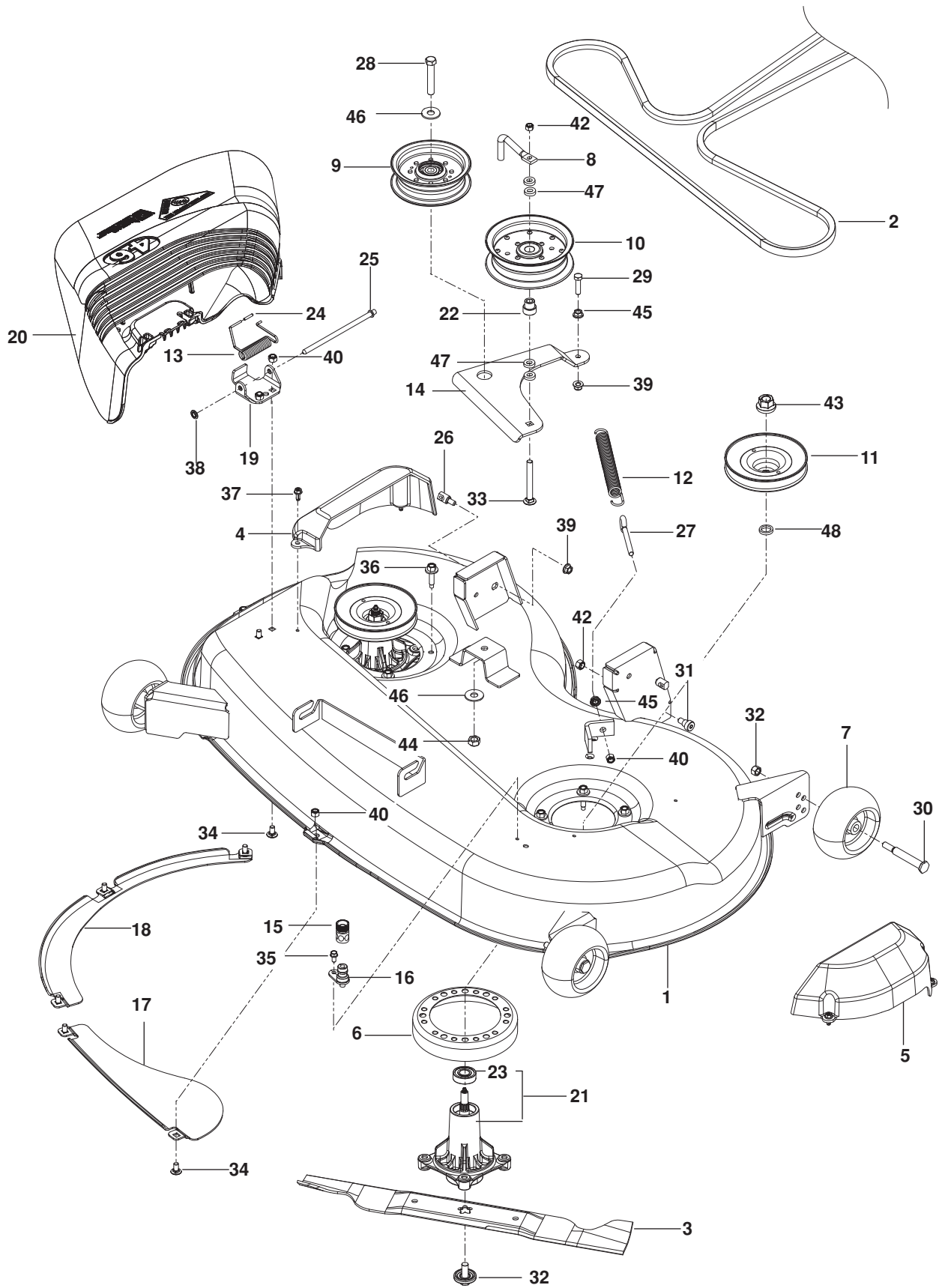
WHEELS AND TIRES



WHEELS AND TIRES

| ITEM | PART NO. | QTY. | DESCRIPTION | ITEM | PART NO. | QTY. | DESCRIPTION |
|------|----------------|-------|-----------------------------------------|------|----------------|-------|------------------------------------------------------|
| 1.. | 516 001901.... | 2.... | CASTER TIRE ASSY | 13.. | 539 102535.... | 2.... | GREASE CAP |
| 2.. | 539 110470.... | 2.... | WHEEL ASSY, REAR 18 x 8.5 | 14.. | 539 115749.... | 2.... | PLUG, CASTER |
| 3.. | 539 114697.... | 2.... | CASTER TIRE, 410-5 4 PLY | 15.. | 539 912234.... | 4.... | VALVE STEM |
| 4.. | 539 106994.... | 2.... | RIM, CASTER | 16.. | 539 105543.... | 2.... | SPACER |
| 5.. | 539 112214.... | 2.... | RIM 8 x 7 w/ .8" OFFSET | 17.. | 539 114805.... | 4.... | SPACER ⁵ / ₁₆ |
| 6.. | 539 115638.... | 2.... | ZERK ³ / ₁₆ DRIVE | 18.. | 539 115566.... | 2.... | BOLT, HEX ⁵ / ₁₆ -18 x 1 NYLOC |
| 7.. | 539 103300.... | 2.... | ZERK | 19.. | 539 121159.... | 2.... | RHSNB 1/2-13 x 6 1/2 |
| 8.. | 510 186502.... | 2.... | YOKE ORG | 20.. | 539 101173.... | 8.... | NUT 1/2 LUG |
| 9.. | 539 115747.... | 2.... | SPRING, CASTER | 21.. | 539 200100.... | 2.... | NUT 1/2-13 HEX CNTRLK |
| 10.. | 539 117901.... | 2.... | BUSHING, CASTER | 22.. | 539 109554.... | 2.... | WASHER 1/2 FLT |
| 11.. | 539 112660.... | 2.... | BEARING, FLANGED | 23.. | 539 115675.... | 2.... | WASHER |
| 12.. | 576 617801.... | 4.... | BEARING, FLANGED | | | | |

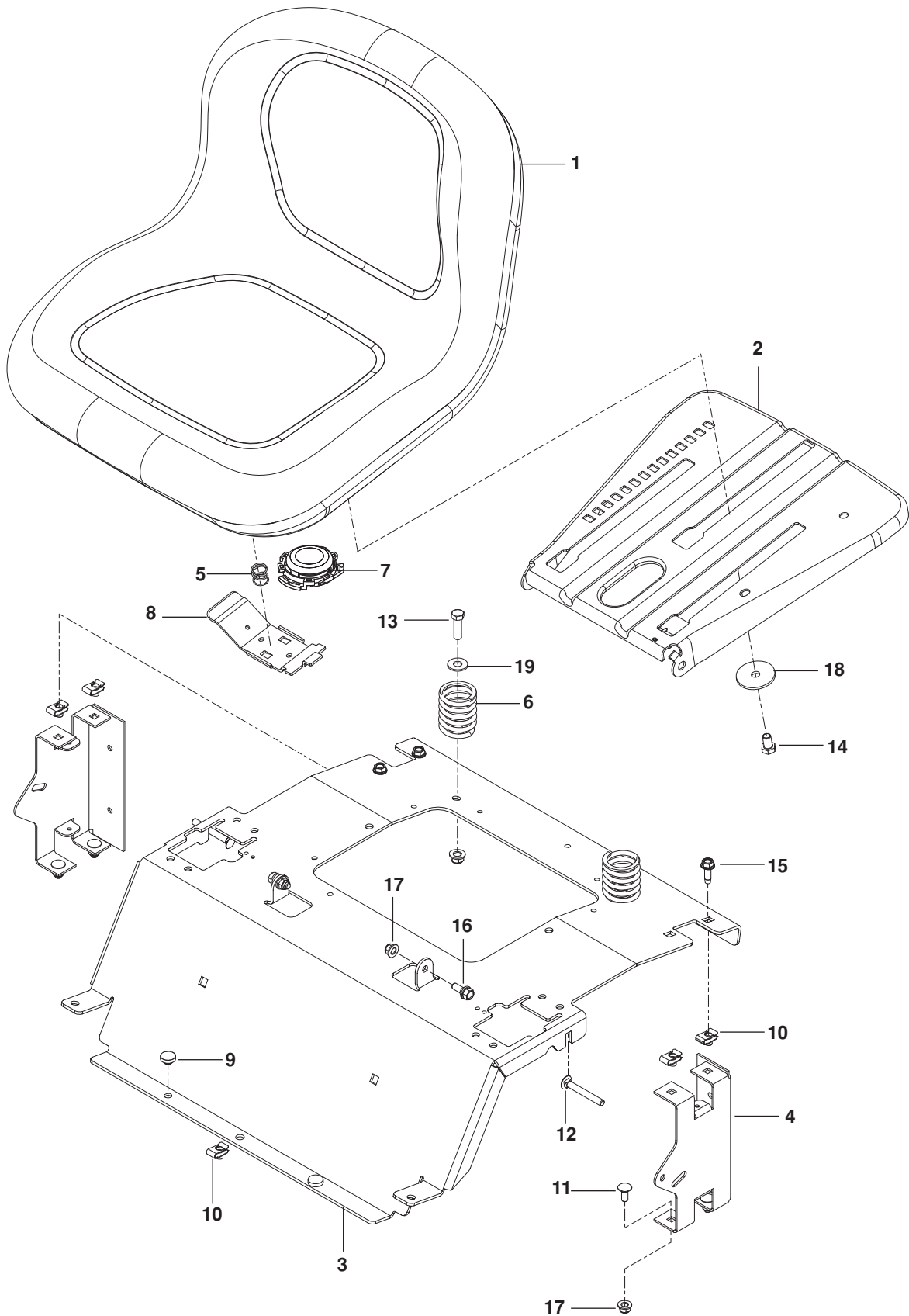
MOWER DECK / CUTTING DECK



MOWER DECK / CUTTING DECK

| ITEM | PART NO. | QTY. | DESCRIPTION | ITEM | PART NO. | QTY. | DESCRIPTION |
|------|----------------|-------|-----------------------|------|----------------|-------|--------------------------------------------------|
| 1.. | 581 071001.... | 1.... | DECK w/ SAFETY DECALS | 25.. | 539 110462.... | 1.... | ROD, HINGE |
| 2.. | 539 117245.... | 1.... | BELT, DECK | 26.. | 532 195161.... | 2.... | STUD w/ ANTI-ROTATE |
| 3.. | 532 405380.... | 2.... | BLADE, HI-LIFT | 27.. | 539 115574.... | 1.... | EYE BOLT $\frac{5}{16}$ X $3\frac{1}{2}$ |
| 4.. | 532 405506.... | 1.... | SHIELD, BELT RH | 28.. | 539 104870.... | 1.... | HCS $\frac{7}{16}$ -14 X $2\frac{1}{2}$ |
| 5.. | 532 405507.... | 1.... | SHIELD, BELT LH | 29.. | 539 990627.... | 1.... | HCS $\frac{5}{16}$ -18 X $1\frac{1}{4}$ |
| 6.. | 539 107518.... | 2.... | STRIPPER, UNIVERSAL | 30.. | 539 107608.... | 3.... | BOLT $\frac{1}{2}$ X $2\frac{5}{8}$ SHOULDER |
| 7.. | 539 107610.... | 3.... | WHEEL, GAUGE | 31.. | 539 113621.... | 2.... | BOLT $\frac{3}{8}$ -16 X $\frac{3}{8}$ SHOULDER |
| 8.. | 522 629701.... | 1.... | KEEPER, BELT | 32.. | 532 193003.... | 2.... | BOLT, WASHER |
| 9.. | 532 196104.... | 1.... | PULLEY, IDLER | 33.. | 539 128101.... | 1.... | BOLT $\frac{3}{8}$ -16 X $2\frac{1}{4}$ CARRIAGE |
| 10.. | 539 132728.... | 1.... | PULLEY, IDLER | 34.. | 539 990316.... | 7.... | RHSNB $\frac{5}{16}$ -18 X $\frac{3}{4}$ |
| 11.. | 539 113962.... | 2.... | PULLEY, DECK | 35.. | 539 991034.... | 1.... | SCREW 10-24 X $\frac{5}{8}$ WSHR HD |
| 12.. | 539 120920.... | 1.... | SPRING, DECK BELT | 36.. | 539 107630.... | 8.... | SCREW $\frac{5}{16}$ -18 X WSHR HD |
| 13.. | 539 107609.... | 1.... | SPRING, TORSION | 37.. | 539 107631.... | 4.... | SCREW $\frac{1}{4}$ -20 X $\frac{5}{8}$ THDROLL |
| 14.. | 574 689002.... | 1.... | ARM, IDLER | 38.. | 539 107626.... | 1.... | PUSHNUT |
| 15.. | 532 416405.... | 1.... | COUPLING, CONNECT | 39.. | 539 112899.... | 3.... | NUT $\frac{5}{16}$ -18 HEX FLG NYLOC |
| 16.. | 532 415598.... | 1.... | PORT, WASHOUT | 40.. | 539 990717.... | 8.... | NUT $\frac{5}{16}$ -18 HEX NYLOC |
| 17.. | 532 403149.... | 1.... | BAFFLE, FRONT | 41.. | 539 976979.... | 3.... | NUT $\frac{3}{8}$ -16 HEX NYLOC |
| 18.. | 532 403150.... | 1.... | BAFFLE, FRONT RH | 42.. | 539 200282.... | 3.... | NUT $\frac{3}{8}$ -16 HEX JAM NYLOC |
| 19.. | 532 192557.... | 1.... | BRACKET, DEFLECTOR | 43.. | 539 107590.... | 2.... | NUT $\frac{9}{16}$ TOP CNTRLK |
| 20.. | 532 405357.... | 1.... | SHIELD, DEFLECTOR | 44.. | 539 119124.... | 1.... | NUT $\frac{7}{16}$ -14 HEX NYLOC |
| 21.. | 539 107515.... | 2.... | CUTTER HOUSING | 45.. | 539 990585.... | 2.... | NUT $\frac{5}{16}$ -18 HEX WHIZLK |
| 22.. | 539 112076.... | 1.... | BUSHING, IDLER | 46.. | 539 104864.... | 2.... | WASHER $\frac{7}{16}$ FLT |
| 23.. | 539 110485.... | 1.... | BEARING | 47.. | 539 109562.... | 4.... | WASHER $\frac{3}{8}$ |
| 24.. | 539 107627.... | 1.... | CAP, SLEEVE | 48.. | 539 107520.... | 2.... | WASHER, SPACER |

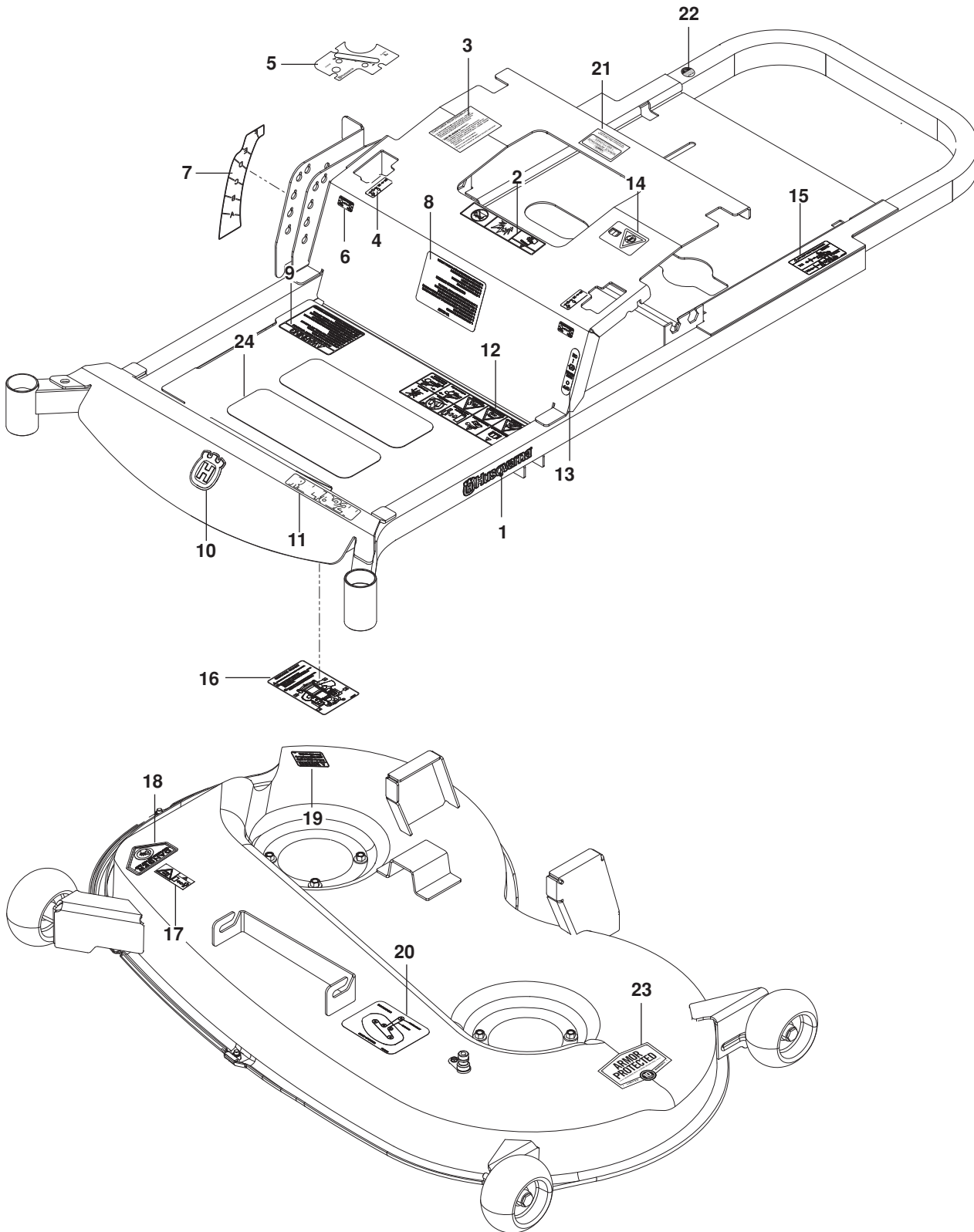
SEAT



SEAT

| ITEM | PART NO. | QTY. | DESCRIPTION | ITEM | PART NO. | QTY. | DESCRIPTION |
|------|----------------|-------|----------------------|------|----------------|-------|-------------------------------------------------|
| 1.. | 532 439822.... | 1.... | SEAT | 11.. | 539 990316.... | 4.... | RHSNB $\frac{5}{16}$ -18 x $\frac{3}{4}$ |
| 2.. | 532 196977.... | 1.... | PAN, SEAT | 12.. | 510 422701.... | 2.... | RHSNB $\frac{5}{16}$ -18 x $2\frac{1}{2}$ |
| 3.. | 577 260503.... | 1.... | SUPPORT, SEAT ORG | 13.. | 539 976941.... | 2.... | HCS $\frac{3}{8}$ -16 x $1\frac{1}{4}$ |
| 4.. | 580 308202.... | 2.... | SUPPORT, SEAT RR BLK | 14.. | 539 108503.... | 1.... | HCS $\frac{3}{8}$ -16 x $\frac{5}{8}$ |
| 5.. | 532 198200.... | 1.... | SPRING, LATCH | 15.. | 539 107475.... | 4.... | BOLT $\frac{5}{16}$ -18 x $\frac{3}{4}$ THD FRM |
| 6.. | 532 124181.... | 2.... | SPRING, SEAT | 16.. | 539 110303.... | 2.... | BOLT $\frac{5}{16}$ -18 SHOULDER |
| 7.. | 539 132140.... | 1.... | SWITCH, SEAT | 17.. | 539 112899.... | 4.... | NUT $\frac{5}{16}$ -18 HEX FLG NYLOC |
| 8.. | 532 197661.... | 1.... | HANDLE, SLIDE | 18.. | 539 111897.... | 1.... | WASHER $\frac{3}{8}$ SPECIAL |
| 9.. | 539 102587.... | 2.... | GROMMET, BUMPER | 19.. | 539 990517.... | 2.... | WASHER $\frac{3}{8}$ STD FLT |
| 10.. | 539 104763.... | 5.... | RETAINER, U TYPE | | | | |

DECALS

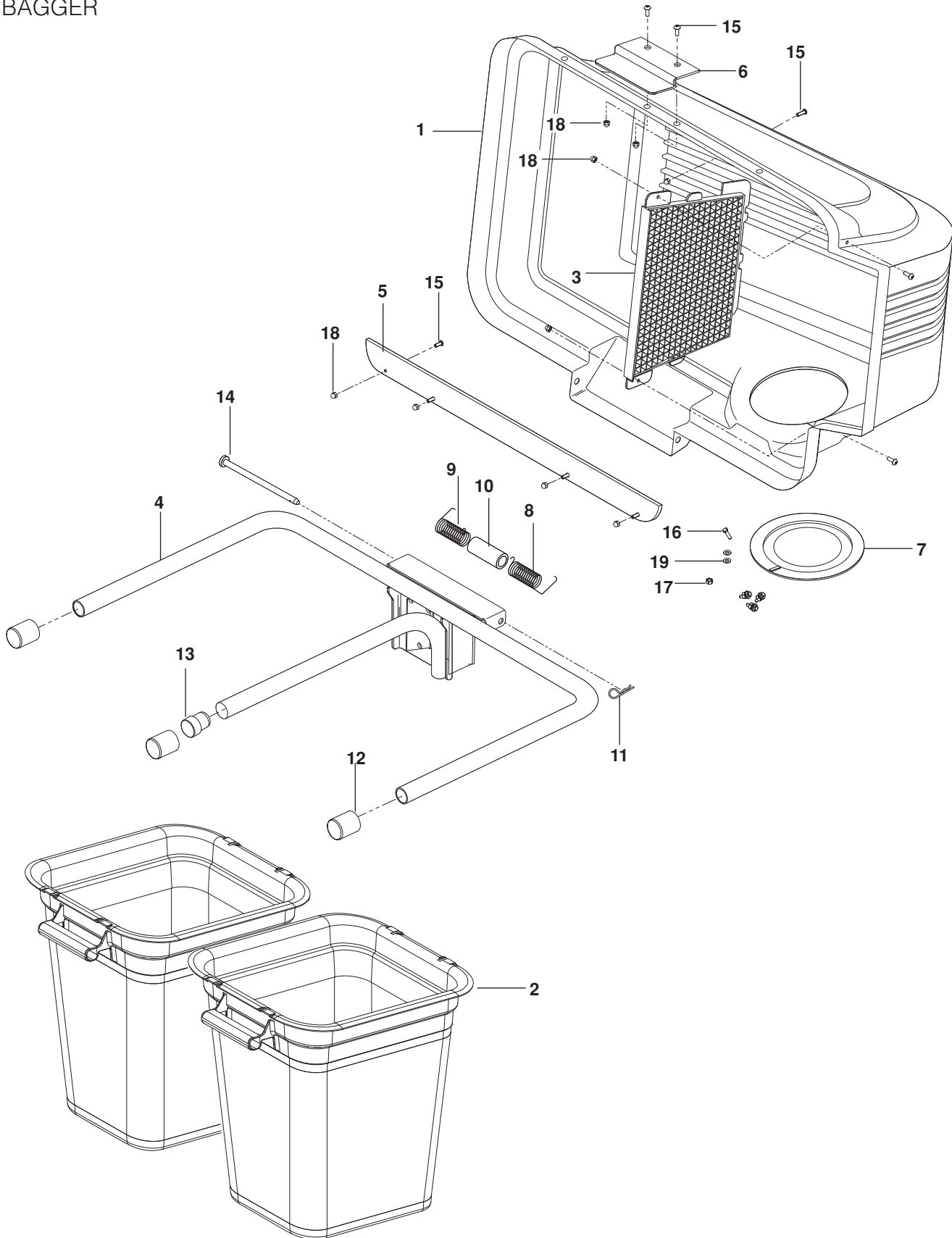


DECALS

| ITEM | PART NO. | QTY. | DESCRIPTION | ITEM | PART NO. | QTY. | DESCRIPTION |
|------|----------------|-------|-------------------------|------|----------------|-------|----------------------|
| 1.. | 532 429196.... | 2.... | DECAL, HUSQVARNA | 13.. | 539 120006.... | 1.... | DECAL, PARK BRAKE |
| 2.. | 539 105745.... | 1.... | DECAL, BATTERY WARNING | 14.. | 539 108386.... | 1.... | DECAL, EXIT |
| 3.. | 539 110522.... | 1.... | DECAL, RESPONSIBILITIES | 15.. | 539 108385.... | 1.... | DECAL, DO NOT TOW |
| 4.. | 539 103333.... | 2.... | DECAL, MOTION CONTROL | 16.. | 539 109897.... | 1.... | DECAL, SERVICE |
| 5.. | 576 916702.... | 1.... | DECAL, CONTROLS | 17.. | 539 105746.... | 1.... | DECAL, SEVERING |
| 6.. | 539 110974.... | 1.... | DECAL, TRACKING | 18.. | 539 913010.... | 1.... | DECAL, BLADES |
| 7.. | 521 980501.... | 1.... | DECAL, HEIGHT | 19.. | 539 113224.... | 1.... | DECAL, DISCHARGE |
| 8.. | 539 108179.... | 1.... | DECAL, START | 20.. | 510 240201.... | 1.... | DECAL, BELT ROUTING |
| 9.. | 539 113213.... | 1.... | DECAL, SAFETY | 21.. | 532 191554.... | 1.... | DECAL, LOWES SERVICE |
| 10.. | 532 428676.... | 1.... | DECAL, CROWN | 22.. | 580 885801.... | 1.... | DECAL E85 WARNING |
| 11.. | 521 949324.... | 1.... | DECAL, RZ4623 | 23.. | 532 446601.... | 1.... | DECAL, ARMOR |
| 12.. | 539 109908.... | 1.... | DECAL, SAFETY WARNING | 24.. | 539 977778.... | 2.... | ABRASIVE PAD |

ACCESSORIES

BAGGER

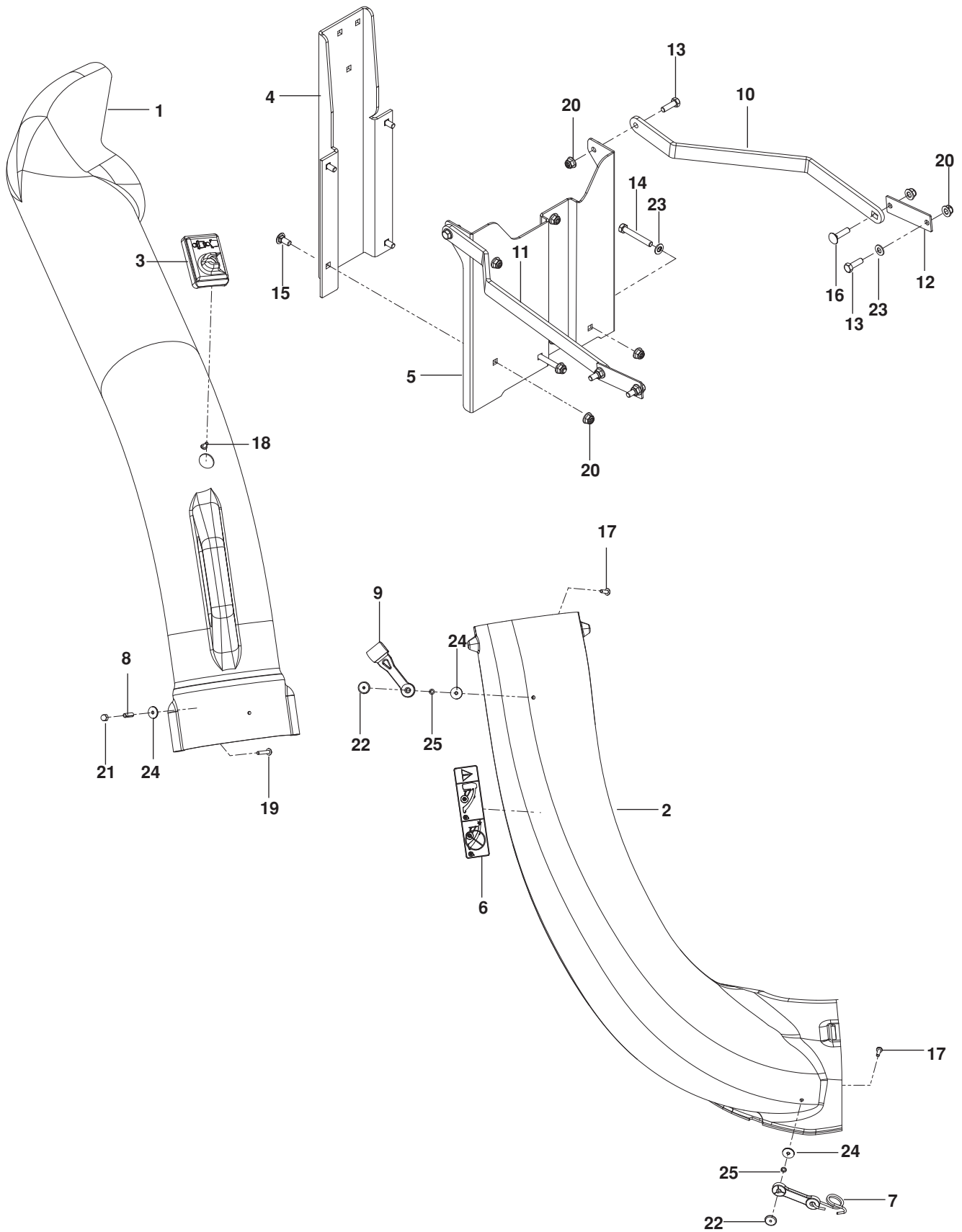


ACCESSORIES

| ITEM | PART NO. | QTY. | DESCRIPTION | ITEM | PART NO. | QTY. | DESCRIPTION |
|------|----------------|-------|----------------------|------|----------------|-------|----------------------|
| 1.. | 539 111139.... | 1.... | COVER ASSY, COMPLETE | 11.. | 539 108096.... | 1.... | HAIRPIN, RETAINER |
| 2.. | 532 400226.... | 2.... | CONTAINER, SOFT BAG | 12.. | 539 108097.... | 3.... | CAP, TUBING END |
| 3.. | 532 127533.... | 1.... | SCREEN, COVER | 13.. | 522 801301.... | 1.... | SPACER PLUG |
| 4.. | 532 179746.... | 1.... | BAGGER, FRAME | 14.. | 532 192786.... | 1.... | PIN, HINGE |
| 5.. | 532 155042.... | 1.... | STRIP, REINFORCEMENT | 15.. | 539 976952.... | 9.... | SCREW #10-24 x 5/8 |
| 6.. | 532 130895.... | 1.... | LATCH HANDLE, COVER | 16.. | 539 106312.... | 4.... | SCREW #10-24 x 3/4 |
| 7.. | 532 127534.... | 1.... | GASKET | 17.. | 539 976977.... | 4.... | NUT #10-24 HEX NYLOC |
| 8.. | 532 132796.... | 1.... | SPRING, COVER LH | 18.. | 539 108086.... | 9.... | NUT #10-24 ACORN |
| 9.. | 532 132983.... | 1.... | SPRING, COVER RH | 19.. | 539 105408.... | 8.... | WASHER #10 FLAT |
| 10.. | 532 133235.... | 1.... | SPACER, COVER | | | | |

ACCESSORIES

CHUTES, MOUNT



ACCESSORIES

| ITEM | PART NO. | QTY. | DESCRIPTION | ITEM | PART NO. | QTY. | DESCRIPTION |
|------|----------------|-------|------------------------------------------|------|----------------|--------|-------------------------------------------------------------------------|
| 1.. | 525 497001.... | 1.... | CHUTE, UPPER | 14.. | 539 976938.... | 2.... | HCS ⁵ / ₁₆ -18 x 2 ¹ / ₄ |
| 2.. | 532 405455.... | 1.... | CHUTE, LOWER | 15.. | 539 990316.... | 4.... | RHSNB ⁵ / ₁₆ -18 x ³ / ₄ |
| 3.. | 539 108082.... | 1.... | INDICATOR, BAG DUMP | 16.. | 539 100472.... | 2.... | RHSNB ⁵ / ₁₆ -18 x 1 ¹ / ₄ |
| 4.. | 522 854702.... | 1.... | BRACKET, HANGER | 17.. | 539 976952.... | 3.... | SCREW #10-24 x ⁵ / ₈ |
| 5.. | 522 854602.... | 1.... | BRACKET, COLLECTION | 18.. | 539 108081.... | 1.... | SCREW #10-14 x ¹ / ₂ |
| 6.. | 539 108163.... | 1.... | DECAL, CATCHER | 19.. | 539 108083.... | 1.... | SCREW #10-24 x 1 ¹ / ₈ |
| 7.. | 539 108194.... | 2.... | LATCH ASSM, CHUTE | 20.. | 539 112899.. | 12.... | NUT ⁵ / ₁₆ -18 HEX FLG NYLOC |
| 8.. | 539 108085.... | 1.... | SPACER, SPLIT | 21.. | 539 108086.... | 1.... | NUT #10-24 ACORN |
| 9.. | 539 108088.... | 1.... | LATCH, HOOD | 22.. | 539 108089.... | 3.... | NUT #10-24 WELD PLATED |
| 10.. | 522 854502.... | 1.... | STRAP, SUPPORT, LT | 23.. | 539 990188.... | 6.... | WASHER ⁵ / ₁₆ SAE FLAT |
| 11.. | 522 854402.... | 1.... | STRAP, SUPPORT, RT | 24.. | 539 108084.... | 4.... | WASHER ³ / ₁₆ x ³ / ₄ 16 GA |
| 12.. | 523 112802.... | 2.... | PLATE | 25.. | 539 109552.... | 3.... | WASHER ³ / ₁₆ LOCK |
| 13.. | 539 990209.... | 4.... | HCS ⁵ / ₁₆ -18 x 1 | | | | |

