

Gasoline containing up to 10% ethanol (E10) is acceptable for use in this machine. The use of any gasoline exceeding 10% ethanol (E10) will void the product warranty.

Parts Manual

RZ5424 / 966659301



Please read the operator's manual carefully and make sure you understand the instructions before using the machine.

When you need spare parts or support in service questions, warranty issues, etc., please consult the following professional:

This Parts Manual belongs to the machine with the manufacturing number:	Engine	Transmission

Manufacturing Number

The machine's manufacturing number can be found on the printed plate affixed to the engine compartment.

Stated on the plate, from the top are:

- The machine's type designation (I.D.).
- The manufacturer's type number (Model).
- The machine's serial number (Serial no.)

Please have the type designation and serial number available when ordering spare parts.

The engine's manufacturing number is stamped on one of the valve covers.

The plate states:

- The engine's model.
- The engine's type.
- Code

Please have these available when ordering spare parts.

The wheel motors and hydrostatic pumps have a barcode decal affixed at the rear.

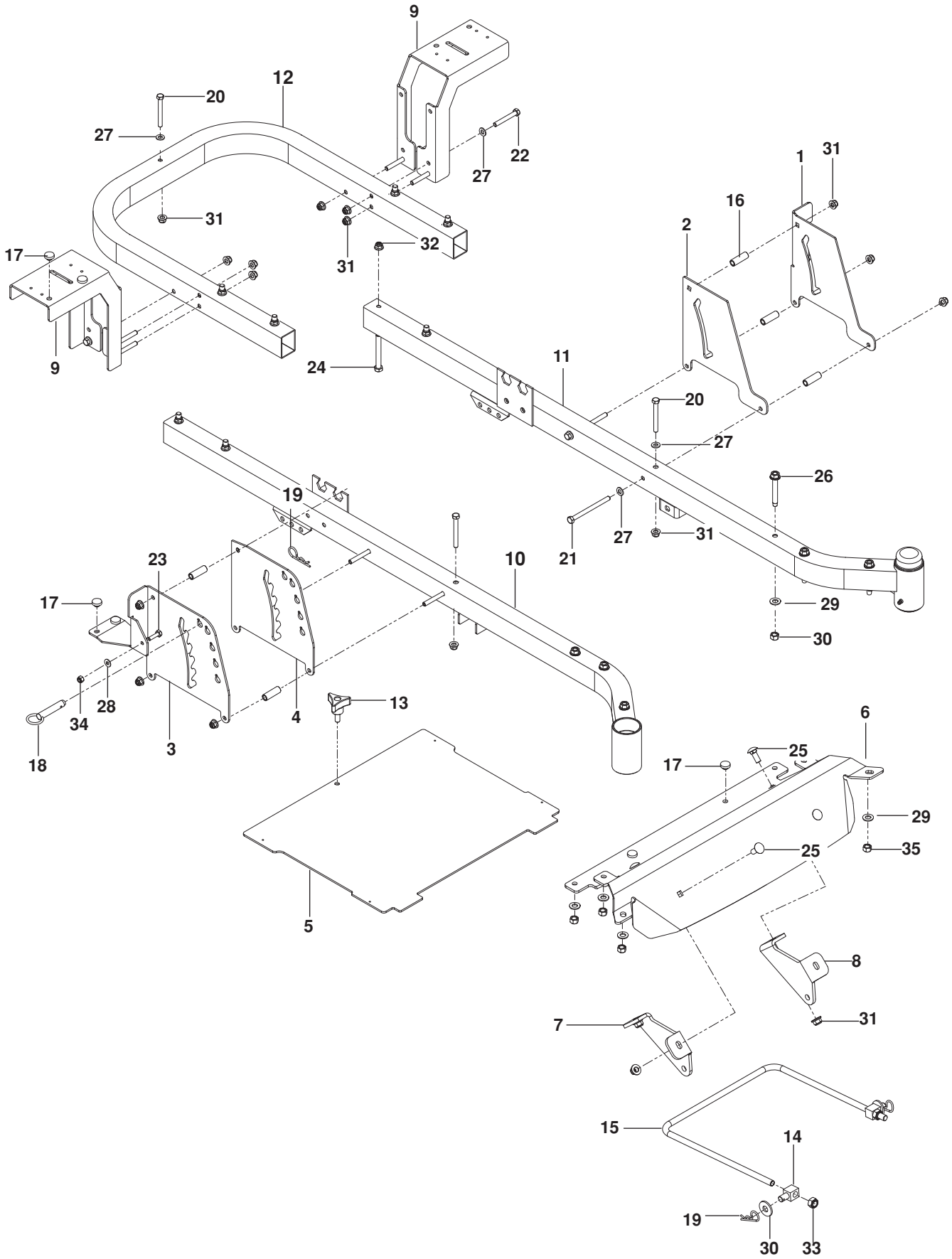
Accessories Available	
COLLECTION SYSTEM	966 004201
MULCH KIT	531 309626

CONTENTS

FRAME.....	4
ENGINE PLATE.....	6
STEERING	8
IGNITION.....	10
BRAKE / LIFT.....	12
HYDRAULIC PUMP / MOTOR.....	14
WHEELS AND TIRES.....	16
MOWER DECK / CUTTING DECK.....	18
SEAT	20
DECALS.....	22
ACCESSORIES	
BAGGER.....	24
CHUTES, MOUNT.....	26

NOTE: ALL FASTENERS ARE GRADE 5 UNLESS OTHERWISE SPECIFIED.

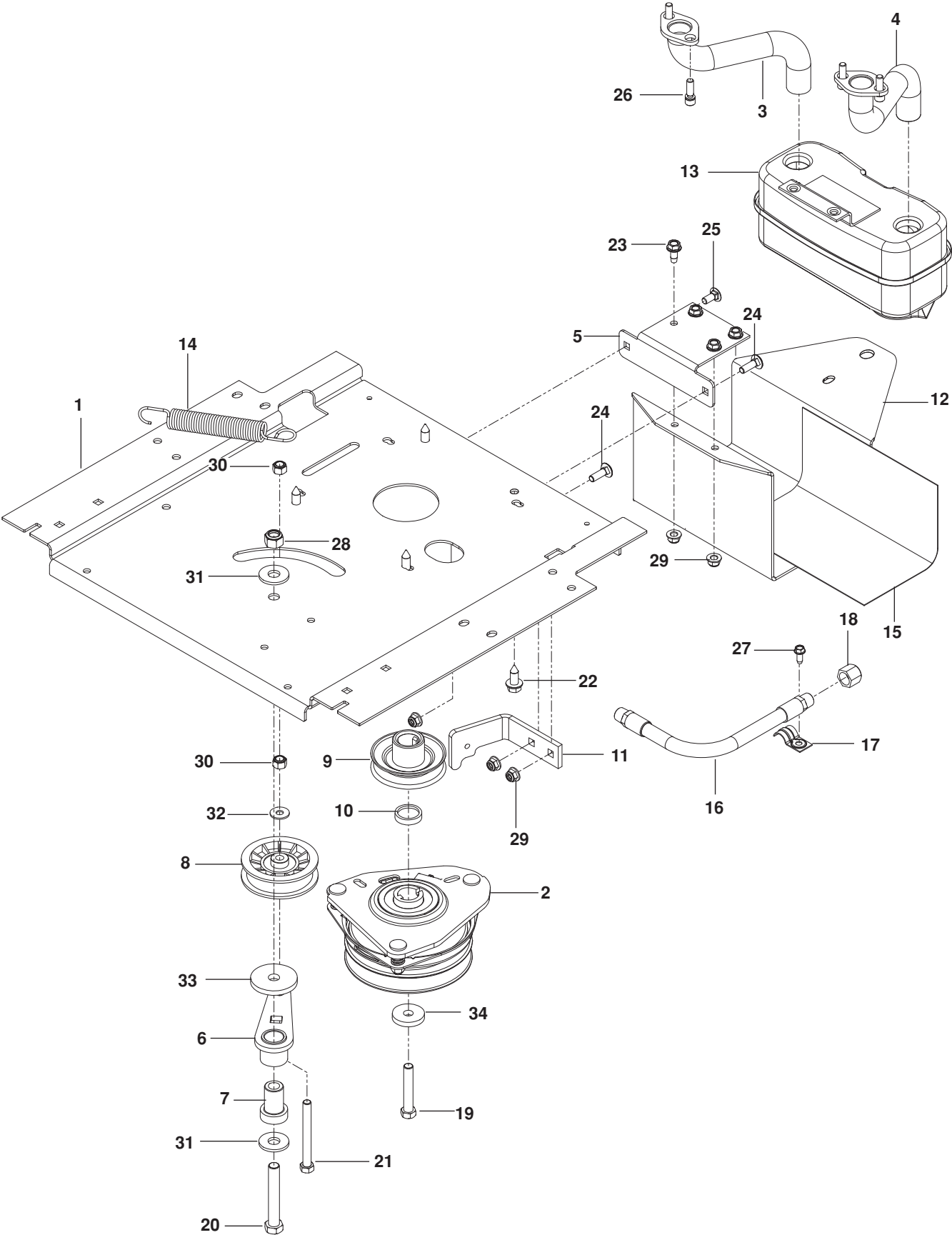
FRAME



FRAME

ITEM	PART NO.	QTY.	DESCRIPTION	ITEM	PART NO.	QTY.	DESCRIPTION
1..	510 261802....	1....	PLATE, OUTER BRAKE BLK	19..	539 976989....	3....	HAIRPIN
2..	510 206703....	1....	PLATE, BRAKE LATCH BLK	20..	874 780544....	3....	HCS $\frac{5}{16}$ -18 x $2\frac{3}{4}$
3..	510 245604....	1....	PLATE, LIFT OUTER BLK	21..	874 780564....	4....	HCS $\frac{5}{16}$ -18 x 4
4..	510 240502....	1....	PLATE, LIFT INNER BLK	22..	874 780536....	6....	HCS $\frac{5}{16}$ -18 x $2\frac{1}{4}$
5..	522 842902....	1....	FOOT PLATE w/ SFTY DECLS	23..	874 780416....	2....	HCS $\frac{1}{4}$ -20 x 1
6..	522 719504....	1....	FOOT REST ORG	24..	874 780648....	8....	HCS $\frac{3}{8}$ -16 x 3
7..	522 443302....	1....	MOUNT, STRUT RT BLK	25..	872 141608....	4....	RHSNB $\frac{3}{8}$ -16 x 1
8..	522 443304....	1....	MOUNT, STRUT LT BLK	26..	817 490642....	6....	BOLT $\frac{3}{8}$ -16 x $2\frac{5}{8}$ THD FRM
9..	510 225902....	2....	SUPPORT, FENDER BLK	27..	819 111116..	13....	WASHER $\frac{5}{16}$ SAE FLT
10..	510 177503....	1....	FRAME, FRONT RT ORG	28..	819 091016....	2....	WASHER $\frac{1}{4}$ FLT
11..	510 177403....	1....	FRAME, FRONT LT ORG	29..	819 141614....	6....	WASHER $\frac{3}{8}$ STD FLT
12..	510 177603....	1....	FRAME, REAR TUBE ORG	30..	819 182212....	2....	WASHER $\frac{1}{2}$ FLT
13..	539 104411....	1....	KNOB w/ STUD	31..	539 112899..	15....	NUT $\frac{5}{16}$ -18 HEX FLG NYLOC
14..	539 114789....	2....	SWIVEL	32..	521 996501....	8....	NUT $\frac{3}{8}$ -16 HEX FLG NYLOC
15..	521 938101....	1....	LINK, FRONT SUSPENSION	33..	539 119124....	2....	NUT $\frac{7}{16}$ -14 HEX NYLOC
16..	515 988101....	6....	SPACER $\frac{1}{2}$ OD x $1\frac{1}{2}$	34..	873 800400....	2....	NUT $\frac{1}{4}$ -20 HEX NYLOC
17..	539 102587....	6....	GROMMET, BUMPER	35..	539 200282....	6....	NUT $\frac{3}{8}$ -16 HEX JAM NYLOC
18..	539 102526....	1....	LIFT PIN				

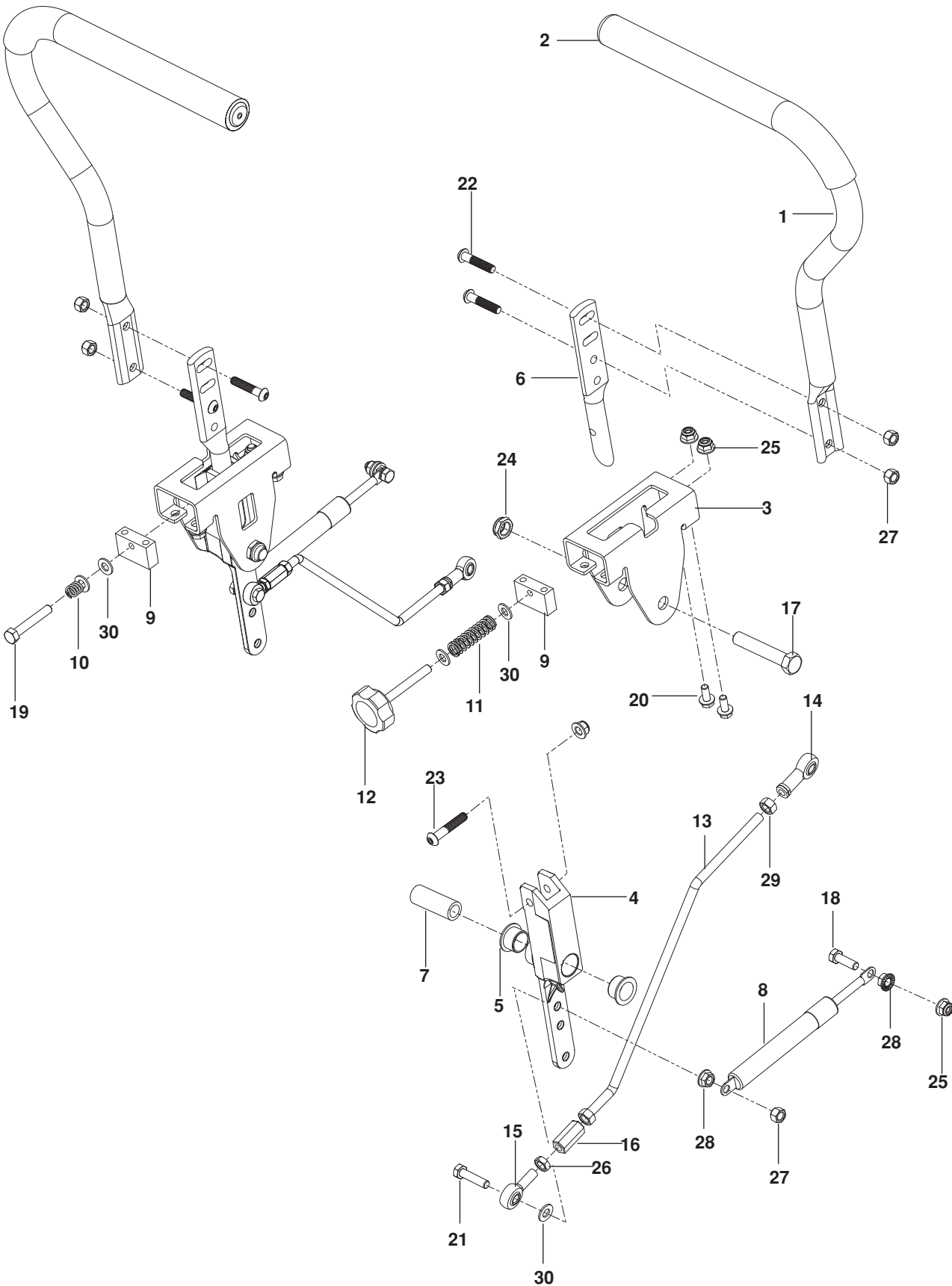
ENGINE PLATE



ENGINE PLATE

ITEM	PART NO.	QTY.	DESCRIPTION	ITEM	PART NO.	QTY.	DESCRIPTION
1..	575 327002....	1....	PLATE, ENGINE BLK	19..	576 968001....	1....	HCS $7/16$ -20 x 2 $1/2$
2..	532 400008....	1....	CLUTCH	20..	539 103433....	1....	HCS $1/2$ -13 x 3 $1/4$
3..	532 146700....	1....	TUBE, EXHAUST RT	21..	539 109389....	1....	HCS $3/8$ -16 x 3 $1/2$
4..	532 146699....	1....	TUBE, EXHAUST LT	22..	532 120616....	4....	HHFS $3/8$ -16 x 1 THD FRM
5..	510 260402....	1....	BRACKET, MUFFLER BLK	23..	539 107475....	4....	BOLT $5/16$ -18 x $3/4$ THD FRM
6..	539 112092....	1....	ARM, IDLER	24..	539 990208....	2....	RHSNB $5/16$ -18 x 1
7..	539 101231....	1....	SPINDLE, IDLER	25..	539 990316....	2....	RHSNB $5/16$ -18 x $3/4$
8..	539 110311....	1....	PULLEY, IDLER	26..	532 183906....	4....	SCREW $5/16$ -18 x 1 SKT HD
9..	539 114530....	1....	PULLEY, ENGINE	27..	539 990362....	4....	SCREW $1/4$ -20 x 5 $3/8$ SLF TAP
10..	539 115326....	1....	SPACER	28..	539 101331....	1....	NUT $1/2$ -13 HEX NYLOC
11..	522 442506....	1....	STOP, CLUTCH BLK	29..	539 112899....	5....	NUT $5/16$ -18 HEX FLG NYLOC
12..	510 260502....	1....	GUARD, MUFFLER BLK	30..	539 976979....	2....	NUT $3/8$ -16 HEX NYLOC
13..	539 131604....	1....	MUFFLER ASSY	31..	539 109554....	2....	WASHER $1/2$ FLT
14..	532 196105....	1....	SPRING, DECK DRIVE	32..	539 990692....	2....	WASHER $5/16$ STD FLT
15..	539 132859....	1....	SHIELD, HEAT	33..	539 112670....	1....	WASHER, HEAVY
16..	539 101362....	1....	HOSE-DRAIN	34..	539 110064....	1....	WASHER, CLUTCH
17..	539101363.....	1....	CLAMP				NOT SHOWN
18..	539101364.....	1....	PLUG-OIL		532 198316 ...	1....	PIGTAIL

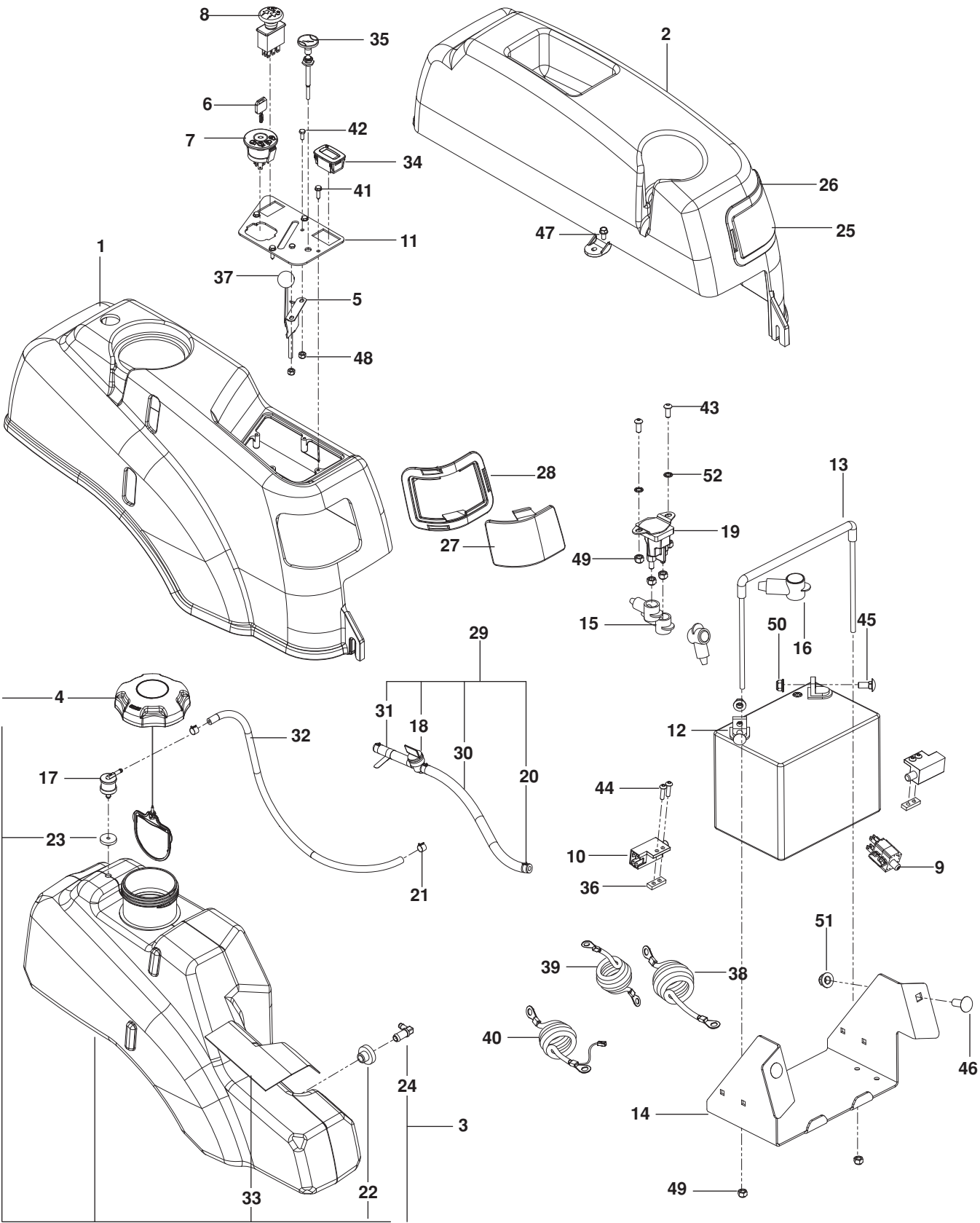
STEERING



STEERING

ITEM	PART NO.	QTY.	DESCRIPTION	ITEM	PART NO.	QTY.	DESCRIPTION
1..	579 036901....	2....	LEVER w/ GRIP	16..	539 116689....	2....	COUPLER, ROD END
2..	525 392901....	2....	GRIP, FOAM	17..	539 101332....	2....	HCS 1/2-13 x 2 3/4
3..	577 251701....	2....	BRACKET, CONTROL	18..	539 990209....	2....	HCS 5/16-18 x 1
4..	539 131518....	4....	BEARING, FLANGE	19..	539 976935....	1....	HCS 5/16-18 x 1 1/2
5..	576 140301....	2....	LEVER, CONTROL	20..	525 464701....	8....	HHFS 5/16-18 X 3/4
6..	577 420001....	2....	LEVER, HANDLE	21..	539 990669....	2....	HCS 5/16-18 x 1 3/4 TPBLT
7..	577 252401....	2....	SPACER, PIVOT CONTROL	22..	578 296402....	4....	SCREW 5/16-18 X 1 1/2 BTN HD
8..	539 102720....	2....	DAMPENER	23..	576 850402....	2....	SCREW 5/16-18 X 1 3/4 BTN HD
9..	577 251801 ...	2....	BLOCK, TRACKING	24..	539 108010....	2....	NUT 1/2-13 HEX JAM NYL GR2
10..	539 102845....	1....	SPRING	25..	539 112899..	10....	NUT 5/16-18 HEX FLG NYLOC
11..	576 850301....	1....	SPRING	26..	539 991073....	2....	NUT 5/16-24 HEX JAM LH
12..	539 131799....	1....	KNOB	27..	539 990717....	6....	NUT 5/16-18 HEX NYLOC
13..	580 624201....	2....	ROD, MOTION CONTROL	28..	539 990585....	4....	NUT 5/16-18 HEX WHIZLK
14..	539 115729....	2....	ROD END RH	29..	539 990223....	4....	NUT 5/16-24 HEX
15..	539 116690....	2....	ROD END MALE LH	30..	539 990188....	4....	WASHER 5/16 SAE FLT

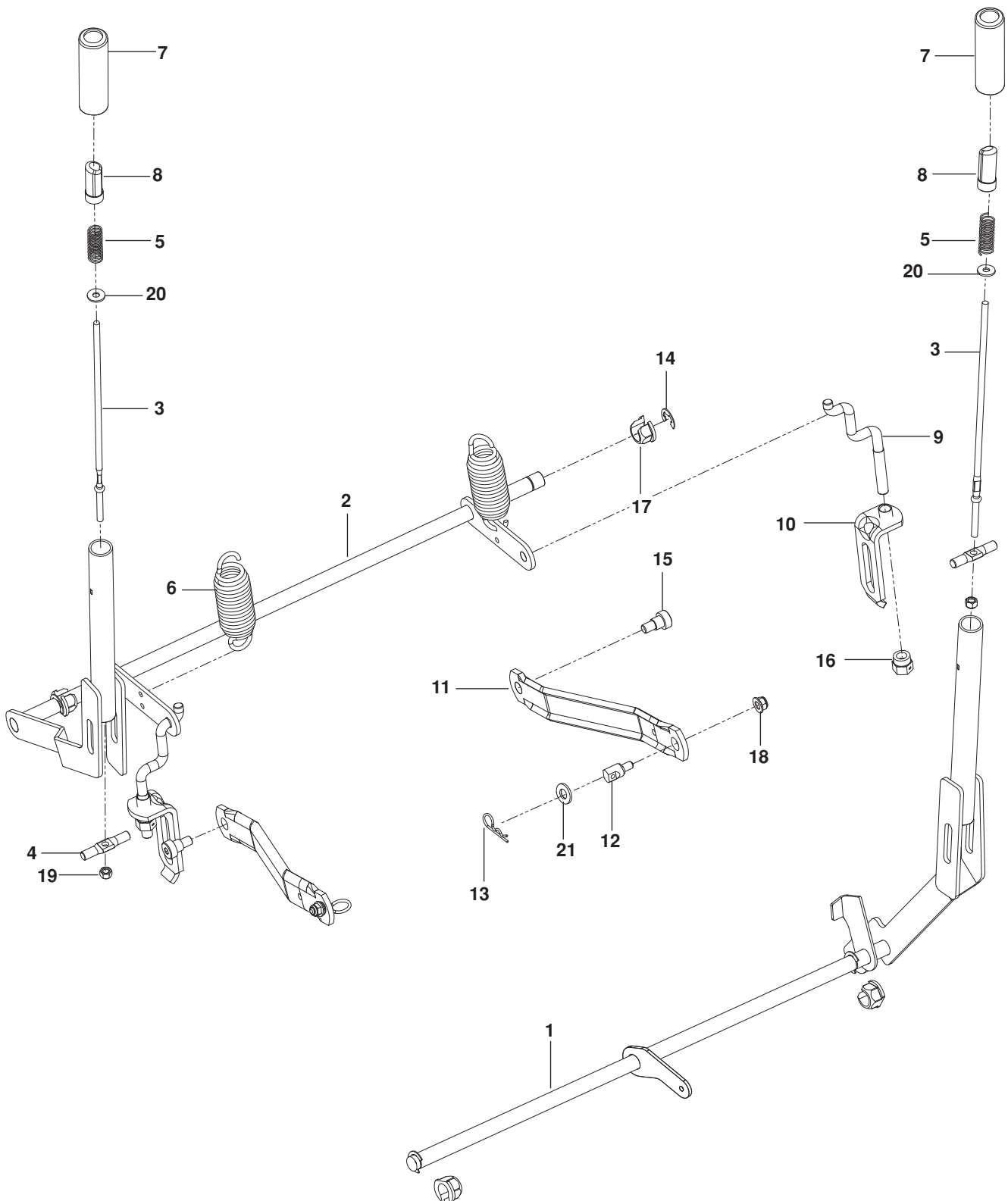
IGNITION



IGNITION

ITEM	PART NO.	QTY.	DESCRIPTION	ITEM	PART NO.	QTY.	DESCRIPTION
1..	578 178901....	1....	FENDER, RT GRY	29..	576 660701....	1....	FUEL LINE ASSY
2..	539 130374....	1....	FENDER, LT GRY	30..	539 932956....	1....	FUEL LINE 10"
3..	578 180601....	1....	TANK ASSY, FUEL	31..	505 215101....	1....	FUEL LINE 2½"
4..	575 018101....	1....	CAP, FUEL w/ TETHER	32..	576 660605....	1....	FUEL LINE 3/16 x 15"
5..	539 102732....	1....	CABLE, THROTTLE	33..	522 559101....	1....	SHIELD, HEAT
6..	532 140401....	1....	KEY, IGNITION	34..	532 401763....	1....	HOUR METER
7..	539 107541....	1....	SWITCH, IGNITION	35..	539 102733....	1....	CONTROL, CHOKE
8..	532 174652....	1....	SWITCH, CLUTCH	36..	539 102678....	2....	PLATE, TAPPED
9..	539 113792....	1....	SWITCH, BRAKE	37..	539 133049....	1....	KNOB
10..	532 109553....	2....	SWITCH, NC	38..	539 103306....	1....	CABLE, POSITIVE RED
11..	539 112735....	1....	PANEL, CONTROL	39..	539 110068....	1....	CABLE, NEGATIVE BLK
12..	539 102436....	1....	BATTERY	40..	580 798001 ...	1....	CABLE w/ LEAD POSITIVE RED
13..	539 131209....	1....	TIE DOWN, BATTERY	41..	539 110673....	2....	SCREW 10-24 x ¾ WSH HD
14..	510 231302....	1....	BOX, BATTERY BLK	42..	539 990411....	2....	SCREW 10-24 x ½ HEX HD
15..	539 116400....	3....	TERMINAL COVER	43..	539 111229....	2....	SCREW ¼-20 x 5/8 BTN SKT
16..	539 102759....	1....	INSULATOR	44..	574 822701....	4....	SCREW 10-24 x ¾ SKT HD
17..	576 618101....	1....	VALVE, FUEL CHECK	45..	539 990316....	2....	RHSNB 5/16-18 x ¾
18..	539 916325....	1....	VALVE, FUEL	46..	539 990645....	2....	RHSNB 3/8-16 x 1
19..	539 101714....	1....	SOLENOID	47..	539 108461....	2....	BOLT ¼-20 x ½
20..	539 912222....	4....	CLAMP, HOSE	48..	539 976977....	2....	NUT 10-24 HEX NYLOC
21..	575 436501....	2....	CLAMP, HOSE	49..	539 976978....	6....	NUT ¼-20 HEX NYLOC
22..	539 105245....	1....	GROMMET, RUBBER	50..	539 112899....	2....	NUT 5/16-18 FLANGE NYLOC
23..	576 618201....	1....	GROMMET, CHECK VALVE	51..	521 996501....	2....	NUT 3/8-16 HEX FLG NYLOC
24..	539 110432....	1....	ELBOW	52..	539 990053....	2....	WASHER ¼ ITLW
25..	539 110056....	1....	LENS, LT	NOT SHOWN			
26..	539 110455....	1....	RIM, LT	580 798101 ...	1....	HARNESS, WIRING	
27..	539 110057....	1....	LENS, RT	505 280001 ...	4....	TIE w/ CLIP	
28..	539 110451....	1....	RIM, RT				

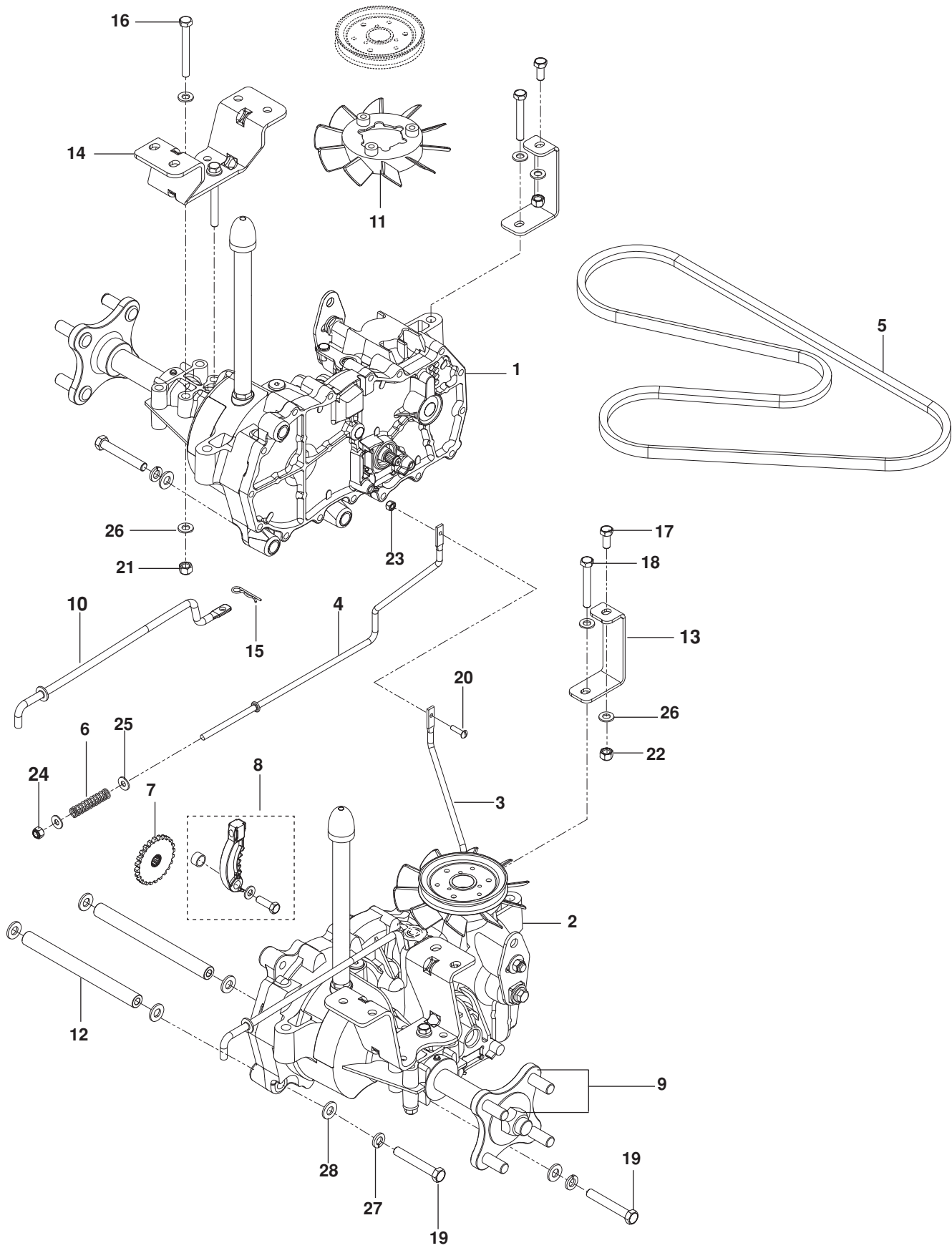
BRAKE / LIFT



BRAKE / LIFT

ITEM	PART NO.	QTY.	DESCRIPTION	ITEM	PART NO.	QTY.	DESCRIPTION
1..	580 435801....	1....	SHAFT, BRAKE	12..	532 195161....	2....	STUD w/ANTI- ROTATE
2..	532 448208....	1....	SHAFT, LIFT	13..	539 976989....	2....	HAIRPIN
3..	510 422901....	2....	ROD, HANDLE RELEASE	14..	539 105069....	3....	E-RING
4..	516 008801....	1....	ROD, LATCH RELEASE	15..	539 113621....	2....	BOLT $\frac{3}{8}$ -16 x $\frac{3}{8}$ SHOULDER
5..	510 030701....	2....	SPRING, COMPRESSION	16..	532 175994....	2....	NUT, LIFT LINK
6..	539 118762....	2....	SPRING	17..	510 184901....	4....	NUT, PLASTIC
7..	510 207201....	2....	GRIP, HANDLE	18..	539 112899....	2....	NUT $\frac{5}{16}$ -18 HEX FLG NYLOC
8..	510 207301....	2....	BUTTON, PUSH	19..	873 800400....	2....	NUT $\frac{1}{4}$ -20 HEX NYLOC
9..	525 847201....	2....	LINK, REAR SUSPENSION	20..	819 091216....	1....	WASHER $\frac{1}{4}$ FLT
10..	522 858601....	2....	BRACKET, CENTERING LNK	21..	819 212113....	2....	WASHER $\frac{5}{8}$ SAE FLT
11..	532 195185....	2....	ARM, SUSPENSION RR				

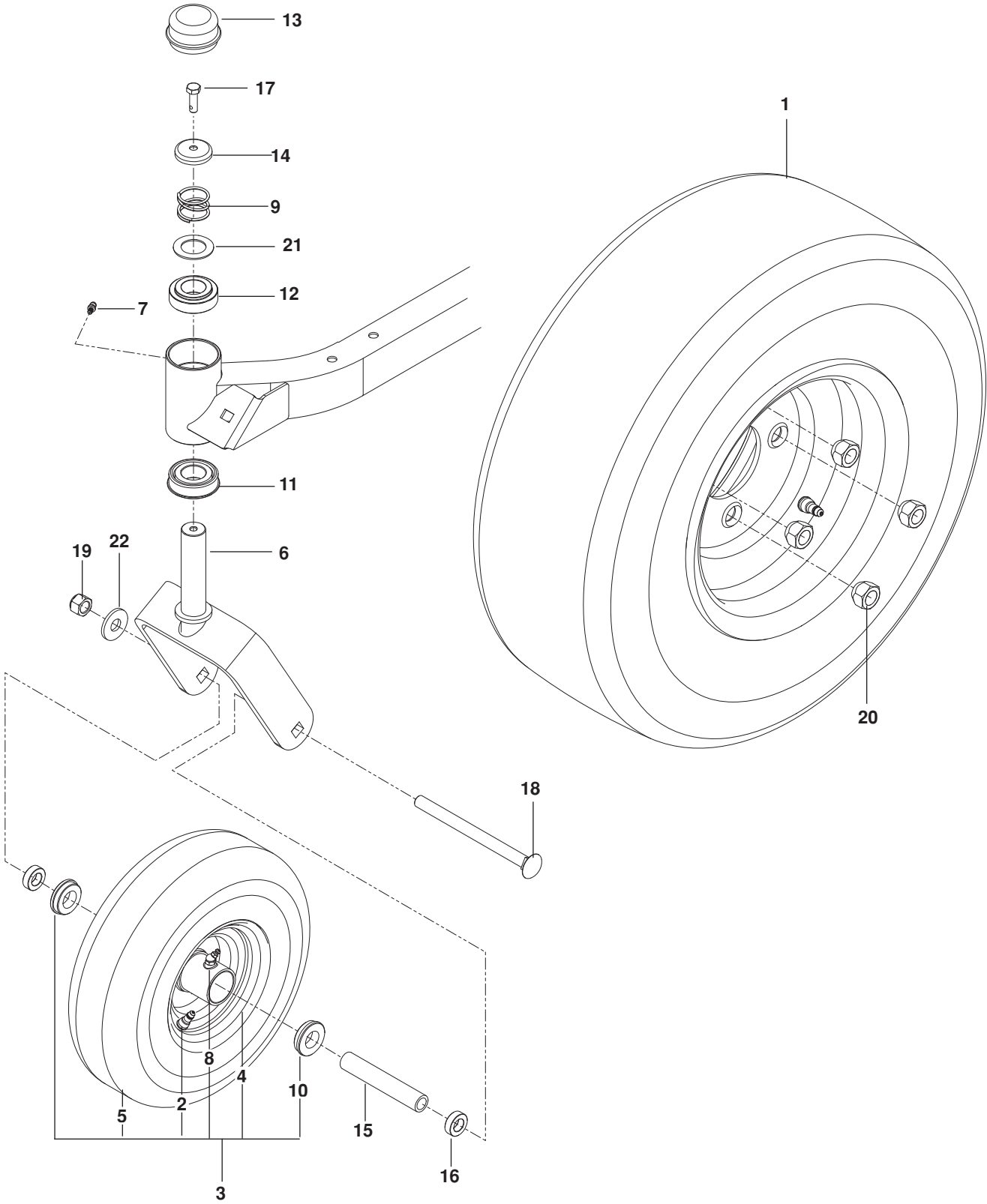
HYDRAULIC PUMP / MOTOR



HYDRAULIC PUMP / MOTOR

ITEM	PART NO.	QTY.	DESCRIPTION	ITEM	PART NO.	QTY.	DESCRIPTION
1..	510 375601....	1....	EZT, LT	15..	539 976988....	1....	HAIRPIN
2..	510 375602....	1....	EZT, RT	16..	539 101721....	4....	HCS $\frac{5}{16}$ -18 x $2\frac{3}{4}$
3..	574 030501....	1....	ROD, EZT BRAKE LT	17..	539 976934....	2....	HCS $\frac{5}{16}$ -18 x $\frac{3}{4}$
4..	574 030502....	1....	ROD, EZT BRAKE RT	18..	539 976938....	2....	HCS $\frac{5}{16}$ -18 x $2\frac{1}{4}$
5..	539 110411....	1....	BELT, EZT	19..	539 990637....	4....	HCS $\frac{3}{8}$ -16 x $2\frac{1}{2}$
6..	539 110342....	2....	SPRING, BRAKE ROD	20..	539 108535....	1....	SCREW 10-24 x $\frac{3}{4}$ SLTD RD
7..	539 120080....	2....	COG, BRAKE DISC	21..	539 990717..	10....	NUT $\frac{5}{16}$ -18 HEX NYLOC
8..	539 120079....	2....	BRAKE ARM KIT	22..	539 115617....	2....	NUT $\frac{5}{16}$ -18 NYLOC INSERT
9..	575 507001....	1....	HUB KIT w/ HUBS, NUTS	23..	539 976977....	1....	NUT 10-24 HEX NYLOC
10..	522 941101....	2....	LINK ARM, BYPASS	24..	539 976978....	2....	NUT $\frac{1}{4}$ -20 HEX NYLOC
11..	539 120785....	2....	BLADE, FAN	25..	539 990055....	4....	WASHER $\frac{1}{4}$ SAE FLT
12..	510 184101....	2....	SPACER TUBE	26..	539 990188..	14....	WASHER $\frac{5}{16}$ SAE FLT
13..	522 460702....	2....	SUPPORT, EZT FRT	27..	539 990118....	4....	WASHER $\frac{3}{8}$ SPLT LCK
14..	510 185102....	2....	MOUNT, EZT RR BLK	28..	539 990122....	8....	WASHER $\frac{3}{8}$ SAE FLT

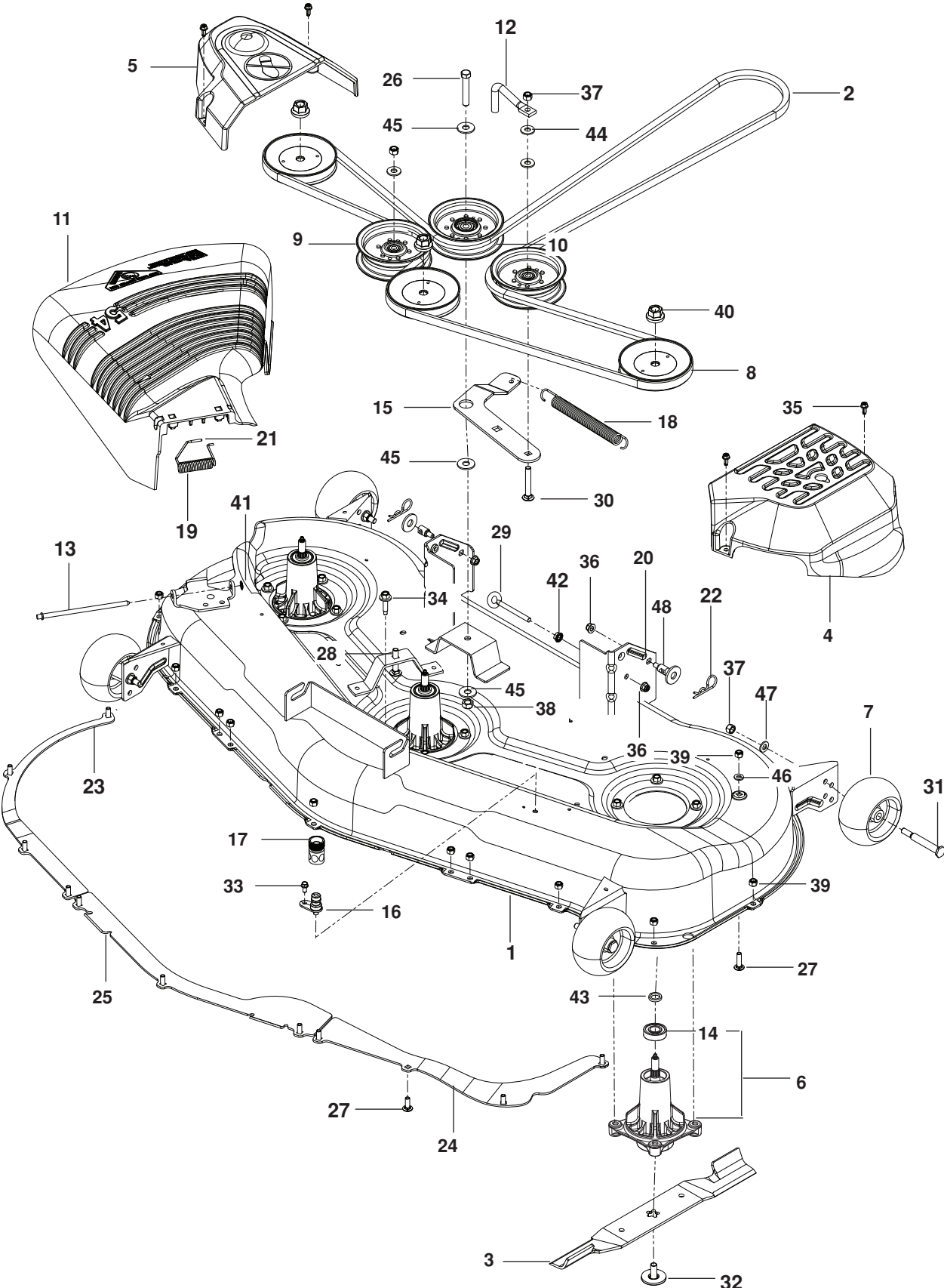
WHEELS AND TIRES



WHEELS AND TIRES

ITEM	PART NO.	QTY.	DESCRIPTION	ITEM	PART NO.	QTY.	DESCRIPTION
1..	579 753401....	2....	WHEEL ASSY, REAR 18 x 8.5	12..	539 117901....	2....	BUSHING, CASTER
2..	539 912234....	4....	VALVE STEM	13..	539 102535....	2....	GREASE CAP
3..	516 001901....	2....	CASTER TIRE ASSY	14..	539 115749....	2....	PLUG, CASTER
4..	539 106994....	2....	RIM	15..	539 105543....	2....	SPACER
5..	539 114697....	2....	CASTER TIRE, 410-5 4 PLY	16..	539 114805....	4....	SPACER ⁵ / ₁₆
6..	510 186502....	2....	YOKE ORG	17..	539 115566....	2....	BOLT ⁵ / ₁₆ -18 x 1 HEX NYLOC
7..	539 115638....	2....	ZERK ³ / ₁₆ DRIVE	18..	539 121159....	2....	RHSNB ¹ / ₂ -13 x 6 ¹ / ₂
8..	539 103300....	2....	ZERK	19..	539 200100....	2....	NUT ¹ / ₂ -13 HEX CNTRLK
9..	539 115747....	2....	SPRING, CASTER	20..	539 101173....	8....	NUT ¹ / ₂ LUG
10..	576 617801....	4....	BEARING, FLANGED	21..	539 115675....	2....	WASHER
11..	539 112660....	2....	BEARING, FLANGED	22..	539 109554....	2....	WASHER ¹ / ₂ FLT

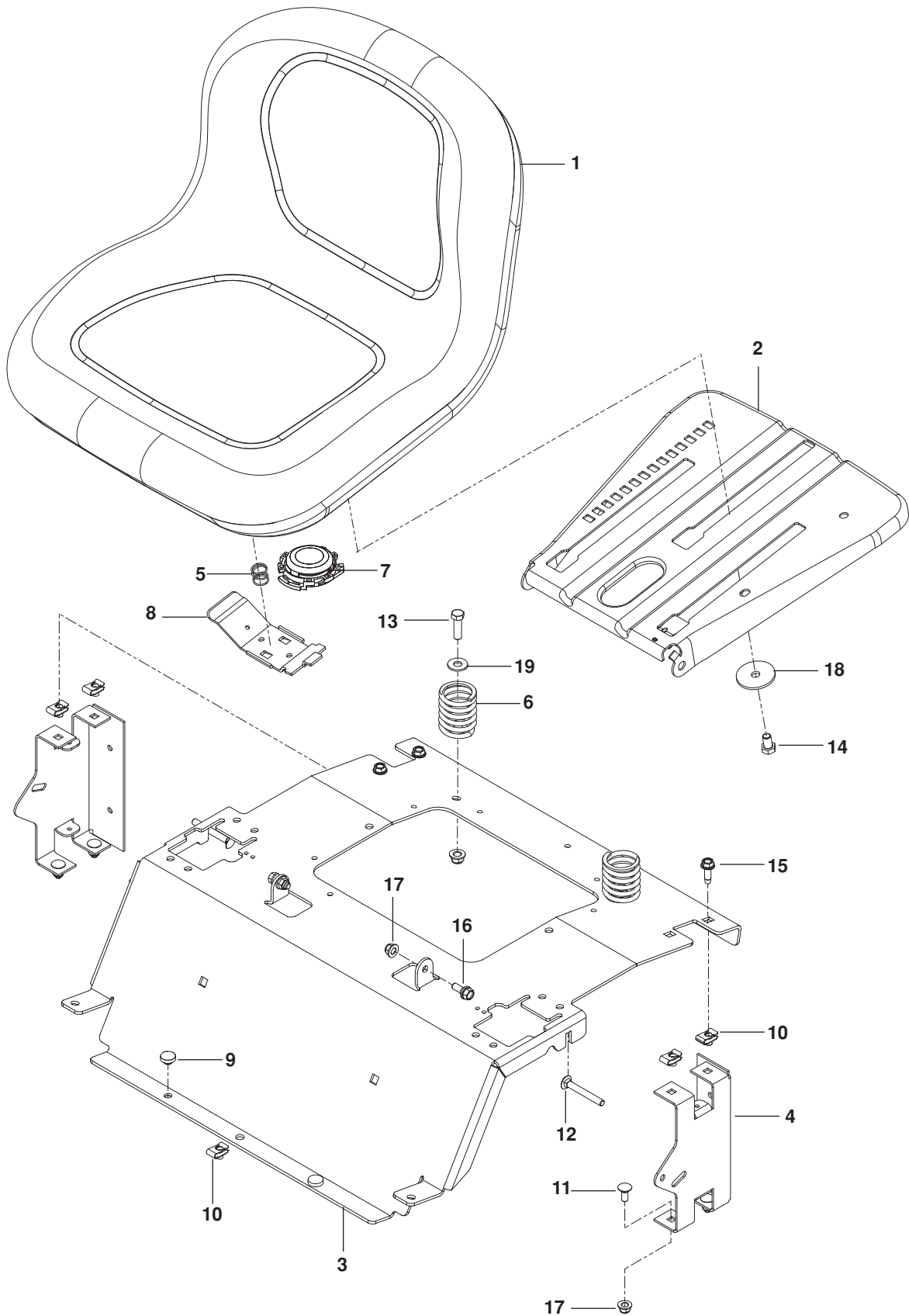
MOWER DECK / CUTTING DECK



MOWER DECK / CUTTING DECK

ITEM	PART NO.	QTY.	DESCRIPTION	ITEM	PART NO.	QTY.	DESCRIPTION
1..	522 744401....	1....	DECK w/ SAFETY DECALS	25..	539 112062....	1....	BAFFLE, CNTR
2..	539 114557....	1....	V-BELT	26..	539 104870....	1....	HCS $\frac{7}{16}$ -14 x 2 $\frac{1}{2}$
3..	532 187256....	3....	BLADE, BAGGING	27..	539 990316..	12....	RHSNB $\frac{5}{16}$ -18 x $\frac{3}{4}$
4..	532 187297....	1....	BELT SHIELD, LT	28..	539 100145....	1....	RHSNB $\frac{3}{8}$ -16 x 2
5..	532 188187....	1....	BELT SHIELD, RT	29..	539 115574....	1....	EYE BOLT $\frac{5}{16}$ x 3 $\frac{1}{2}$
6..	539 112057....	3....	HOUSING ASSY, CUTTER	30..	539 128101....	1....	BOLT $\frac{3}{8}$ -16 x 2 $\frac{1}{4}$ CARRIAGE
7..	539 107610....	4....	WHEEL, GAUGE	31..	539 107608....	4....	BOLT $\frac{1}{2}$ x 2 $\frac{5}{8}$ SHOULDER
8..	539 112171....	3....	PULLEY	32..	539 107522....	3....	BOLT WASHER ASSM
9..	532 196106....	2....	PULLEY, IDLER	33..	539 108461....	1....	BOLT $\frac{1}{4}$ -20 x $\frac{1}{2}$ HWST
10..	532 196104....	1....	PULLEY, IDLER	34..	539 107630..	12....	SCREW $\frac{5}{16}$ -18 x WSHR HD
11..	539 112054....	1....	DEFLECTOR	35..	539 107631....	4....	SCREW $\frac{1}{4}$ -20 x $\frac{5}{8}$ THDROLL
12..	522 629701....	1....	KEEPER, BELT	36..	539 112899....	3....	NUT $\frac{5}{16}$ -18 FLANGE NYLOC
13..	539 110462....	1....	ROD, HINGE	37..	539 976979....	6....	NUT $\frac{3}{8}$ -16 HEX NYLOC
14..	539 112050....	1....	BEARING	38..	539 119124....	1....	NUT $\frac{7}{16}$ -14 HEX
15..	510 220002....	1....	ARM, IDLER	39..	539 990717..	12....	NUT $\frac{5}{16}$ -18 HEX NYLOC
16..	532 415598....	1....	PORT, WASHOUT	40..	539 107590....	3....	NUT $\frac{9}{16}$ TOP CNTRLK
17..	532 416405....	1....	COUPLING, QUICK CONN	41..	539 107626....	1....	PUSHNUT
18..	539 120920....	1....	SPRING, DECK BELT	42..	539 990585....	1....	NUT $\frac{5}{16}$ -18 HEX WHIZLK
19..	539 107609....	1....	SPRING, TORSION	43..	532 187690....	3....	WASHER/SPACER
20..	532 195161....	2....	STUD, w/ ANTI-ROTATE	44..	539 990517....	3....	WASHER $\frac{3}{8}$ FLAT STD
21..	539 107627....	1....	CAP, SLEEVE	45..	539 104864....	3....	WASHER $\frac{7}{16}$ FLAT
22..	539 976989....	2....	HAIRPIN #4	46..	539 990188....	1....	WASHER $\frac{5}{16}$ SAE FLAT
23..	539 112059....	1....	BAFFLE, RT	47..	539 990122....	4....	WASHER $\frac{3}{8}$ SAE FLT
24..	539 112060....	1....	BAFFLE, LT	48..	539 109554....	2....	WASHER $\frac{1}{2}$ FLAT

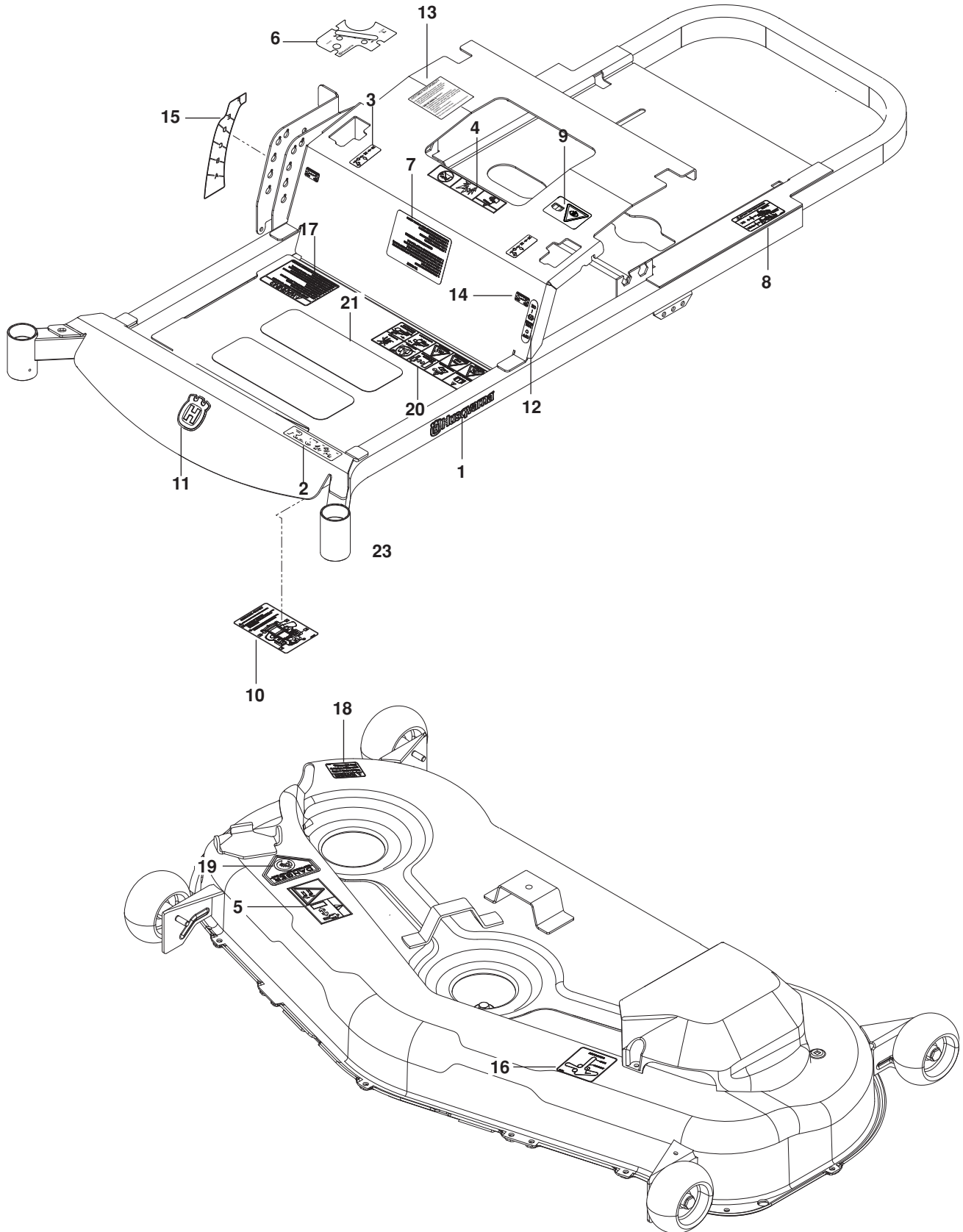
SEAT



SEAT

ITEM	PART NO.	QTY.	DESCRIPTION	ITEM	PART NO.	QTY.	DESCRIPTION
1..	532 439822....	1....	SEAT	11..	539 990316....	4....	RHSNB $\frac{5}{16}$ -18 x $\frac{3}{4}$
2..	532 196977....	1....	PAN, SEAT	12..	510 422701....	2....	RHSNB $\frac{5}{16}$ -18 x $2\frac{1}{2}$
3..	577 260503....	1....	SUPPORT, SEAT ORG	13..	539 976941....	2....	HCS $\frac{3}{8}$ -16 x $1\frac{1}{4}$
4..	580 308202....	2....	SUPPORT, SEAT RR BLK	14..	539 108503....	1....	HCS $\frac{3}{8}$ -16 x $\frac{5}{8}$
5..	532 198200....	1....	SPRING, LATCH	15..	539 107475....	4....	BOLT $\frac{5}{16}$ -18 x $\frac{3}{4}$ THD FRM
6..	532 124181....	2....	SPRING, SEAT	16..	539 110303....	2....	BOLT $\frac{5}{16}$ -18 SHOULDER
7..	539 132140....	1....	SWITCH, SEAT	17..	539 112899....	4....	NUT $\frac{5}{16}$ -18 HEX FLG NYLOC
8..	532 197661....	1....	HANDLE, SLIDE	18..	539 111897....	1....	WASHER $\frac{3}{8}$ SPECIAL
9..	539 102587....	2....	GROMMET, BUMPER	19..	539 990517....	2....	WASHER $\frac{3}{8}$ STD FLT
10..	539 104763....	5....	RETAINER, U TYPE				

DECALS

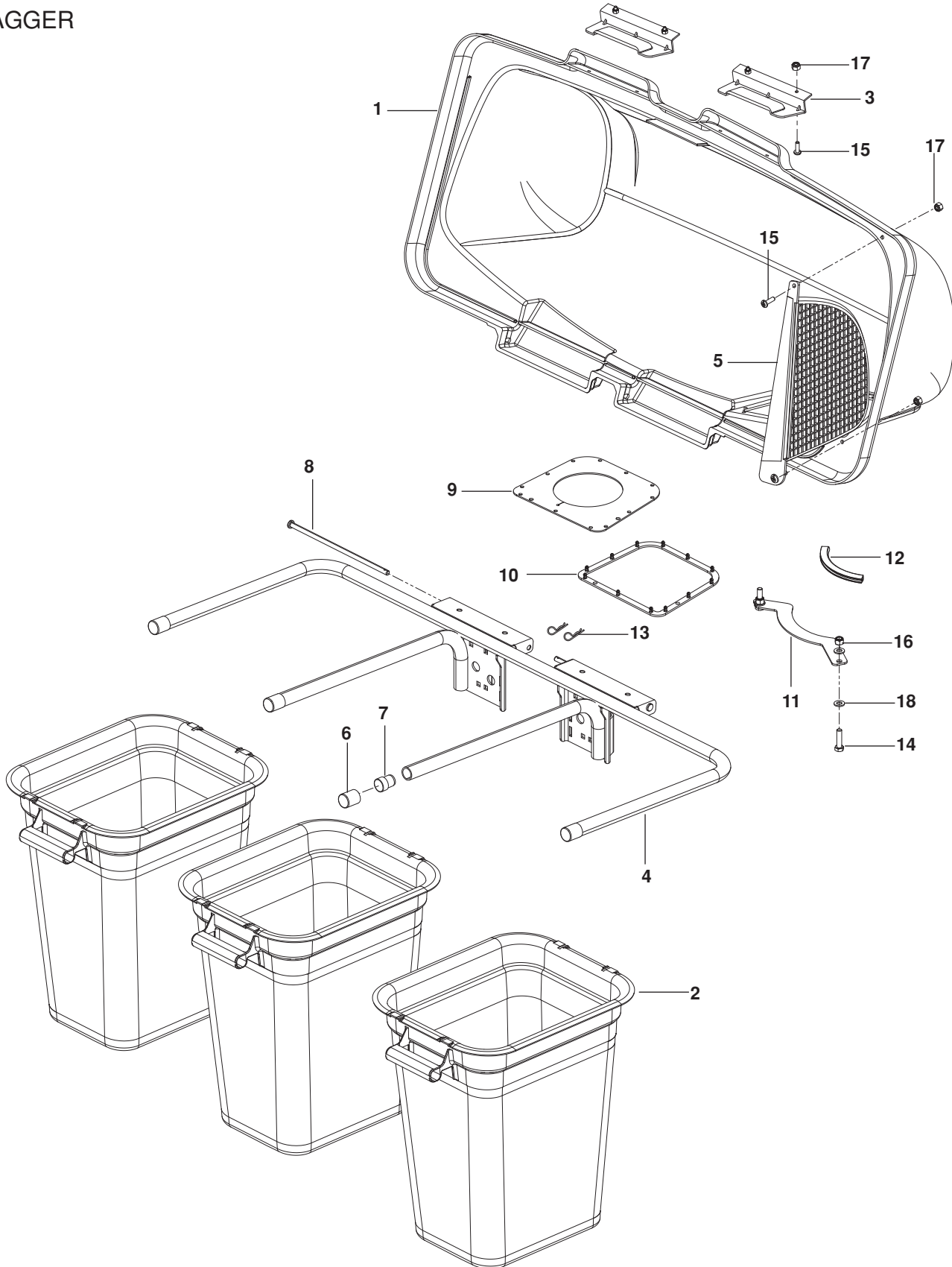


DECALS

ITEM	PART NO.	QTY.	DESCRIPTION	ITEM	PART NO.	QTY.	DESCRIPTION
1..	532 429196....	2....	DECAL, HUSQVARNA	12..	539 120006....	1....	DECAL, PARK BRAKE
2..	521 949313....	1....	DECAL, RZ5424	13..	539 110522....	1....	DECAL, RESPONSIBILITIES
3..	539 103333....	2....	DECAL, MOTION CONTROL	14..	539 110974....	2....	DECAL, TRACKING
4..	539 105745....	1....	DECAL, BATTERY WARNING	15..	521 980501....	1....	DECAL, HEIGHT
5..	539 105746....	1....	DECAL, SEVERING	16..	539 112620....	1....	DECAL, BELT ROUTING
6..	576 916702....	1....	DECAL, CONTROLS	17..	539 113213....	1....	DECAL, SAFETY
7..	539 108179....	1....	DECAL, START	18..	539 113224....	1....	DECAL, DISCHARGE
8..	539 108385....	1....	DECAL, DO NOT TOW	19..	539 913010....	1....	DECAL, BLADES
9..	539 108386....	1....	DECAL, EXIT	20..	539 109908....	1....	DECAL, SAFETY WARNING
10..	539 109897....	1....	DECAL, SERVICE	21..	539 977778....	3....	ABRASIVE PAD
11..	532 428676....	1....	DECAL, CROWN				

ACCESSORIES

BAGGER

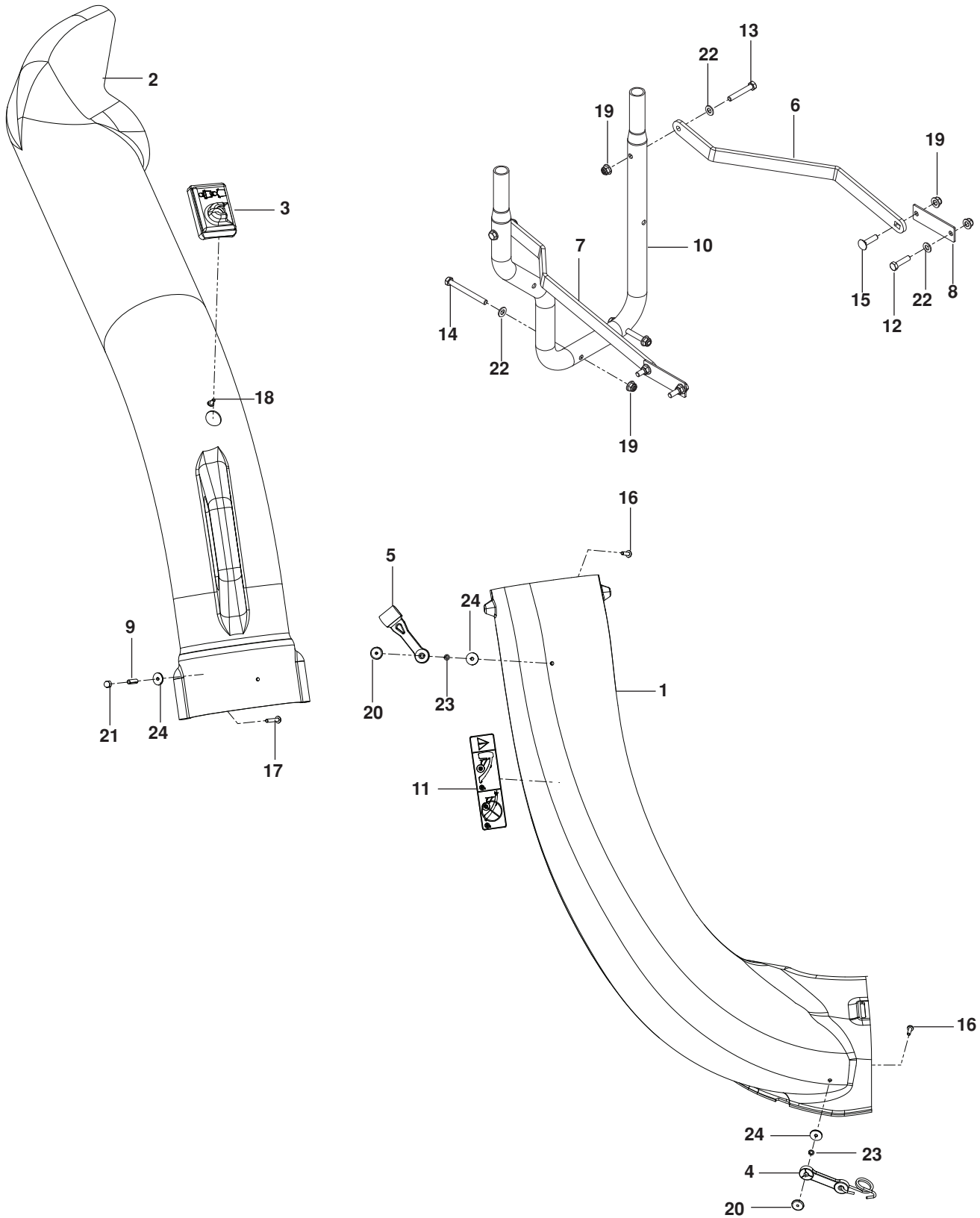


ACCESSORIES

ITEM	PART NO.	QTY.	DESCRIPTION	ITEM	PART NO.	QTY.	DESCRIPTION
1..	532 195373....	1....	COVER	10..	532 192603....	1....	GASKET, COVER
2..	532 400226....	3....	CONTAINER, SOFT BAG	11..	539 110281....	1....	SUPPORT, CHUTE
3..	532 130895....	2....	HANDLE, BAGGER COVER	12..	539 112294....	1....	FLEX TRIM
4..	539 108098....	1....	FRAME, BAGGER	13..	539 108096....	2....	HAIR PIN
5..	532 192709....	1....	SCREEN, COVER	14..	539 990627....	2....	HCS $\frac{5}{16}$ -18 x $1\frac{1}{4}$
6..	539 108097....	4....	PLUG, TUBING END	15..	539 976952....	6....	SCREW #10-24 x $\frac{5}{8}$
7..	522 801301....	2....	PLUG, SPACER	16..	539 112899....	2....	NUT $\frac{5}{16}$ -18 HEX FLG NYLOC
8..	532 192786....	2....	PIN, HINGE	17..	539 976977....	6....	NUT #10-24 CROWNLOCK
9..	532 192550....	1....	SEAL, COVER	18..	539 990188....	4....	WASHER $\frac{5}{16}$ SAE

ACCESSORIES

CHUTES, MOUNT



ACCESSORIES

ITEM	PART NO.	QTY.	DESCRIPTION	ITEM	PART NO.	QTY.	DESCRIPTION
1..	539 113204....	1....	CHUTE, LOWER	13..	539 976937....	2....	HCS $\frac{5}{16}$ -18 x 2
2..	539 108141....	1....	CHUTE, UPPER	14..	539 101520....	2....	HCS $\frac{5}{16}$ -18 x $3\frac{1}{4}$
3..	539 108082....	1....	DUMP BAG INDICATOR	15..	539 110472....	2....	RHSNB $\frac{5}{16}$ -18 x $1\frac{1}{4}$
4..	539 108194....	2....	LATCH	16..	539 976952....	3....	SCREW #10-24 x $\frac{5}{8}$
5..	539 108088....	1....	LATCH, HOOD	17..	539 108083....	1....	SCREW #10-24 x $1\frac{1}{8}$
6..	522 854502....	1....	STRAP, SUPPORT, LT	18..	539 108081....	1....	SCREW #10-14 x $\frac{1}{2}$
7..	522 854402....	1....	STRAP, SUPPORT, RT	19..	539 112899....	8....	NUT $\frac{5}{16}$ -18 FLANGE NYLOC
8..	523 112802....	2....	PLATE, REINFORCE	20..	539 108089....	3....	NUT, WELD PLATED
9..	539 108085....	1....	SPACER, SPLIT	21..	539 108086....	1....	NUT #10-24 ACORN
10..	539 131091....	1....	MOUNT, TUBE	22..	539 990188....	6....	WASHER $\frac{5}{16}$ SAE
11..	539 108163....	1....	DECAL, CATCHER	23..	539 109552....	2....	WASHER $\frac{3}{16}$ LOCK
12..	539 990627....	2....	HCS $\frac{5}{16}$ -18 x $1\frac{1}{4}$	24..	539 108084....	4....	WASHER $\frac{3}{16}$ x $\frac{3}{4}$ 16 GA

