

**581 50 98-49**



# **Repair Parts Manual IPL Manual**

**YTH18K46/96043014300**

Please read the operator's manual carefully and make sure you understand the instructions before using the machine.



**English**

# HOW TO USE THIS MANUAL

This manual is designed to provide the customer with a means to identify the parts on his/her tractor when ordering repair parts. The illustrations may or may not represent the actual assemblies; therefore, it is not recommended to use this manual as a guide to assemble or disassemble the tractor. Some hardware and parts are drawn larger in order to more readily identify them.

Each tractor has its own model number.

The model number for your tractor can be found on the fender under the seat.

When ordering parts, always give the following information:

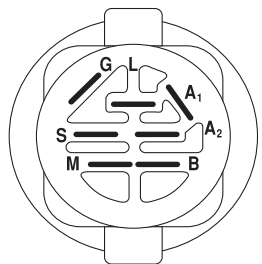
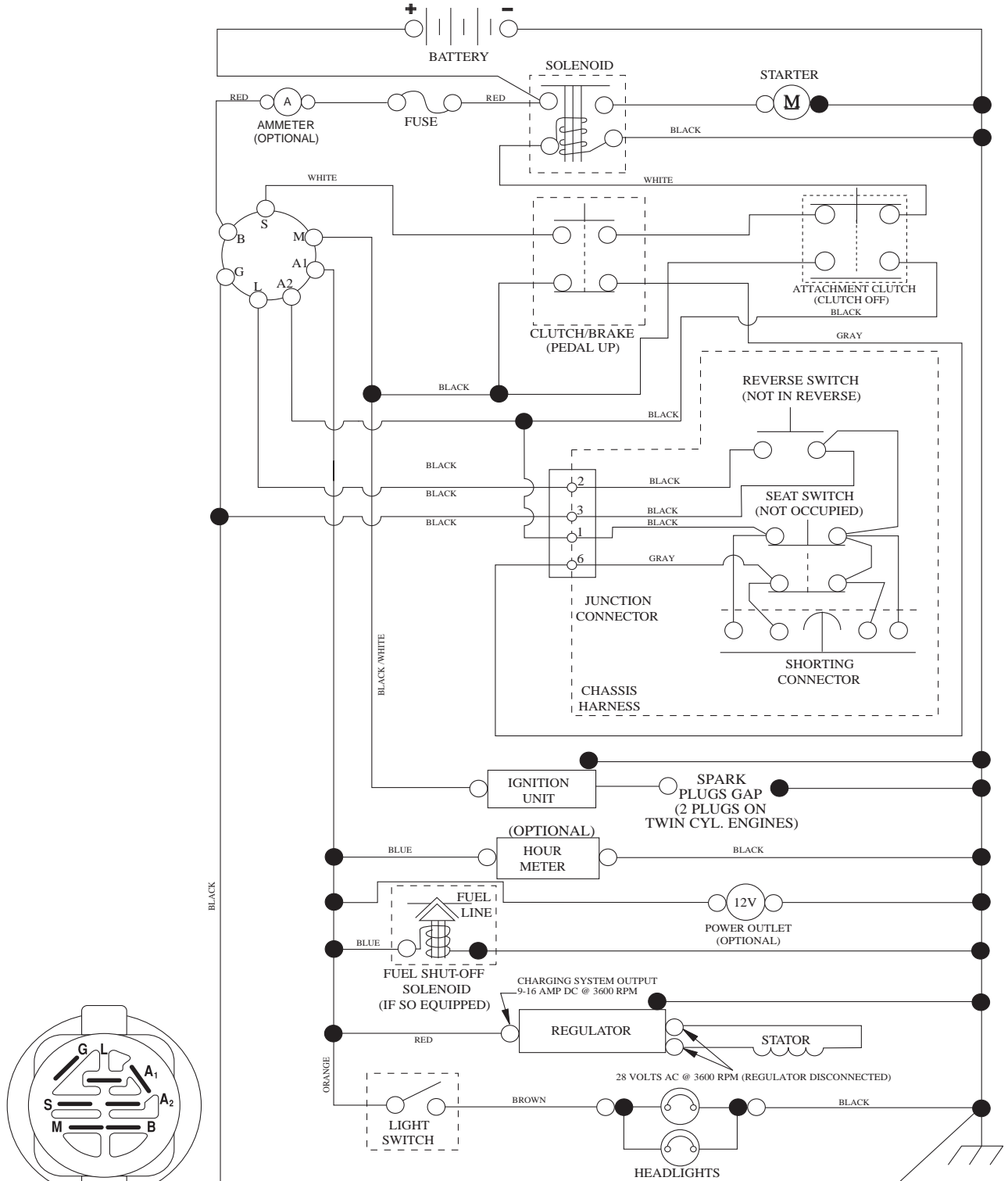
- Product - "TRACTOR"
- MODEL NUMBER - "YTH18K46" (96043014300)"
- Part Number
- Part Description

## TABLE OF CONTENTS

SCHEMATIC .....	3
ELECTRICAL.....	4-5
CHASSIS .....	6-7
DRIVE.....	8-9
ENGINE.....	10-11
STEERING .....	12-13
MOWER DECK.....	14-15
MOWER LIFT.....	16
SEAT .....	17
DECALS.....	18

# TRACTOR - MODEL NO. YTH18K46 (96043014300), PRODUCT NO. 960 43 01-43 SCHEMATIC

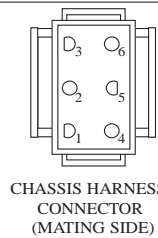
SCH10



IGNITION SWITCH

POSITION	CIRCUIT	"MAKE"
OFF	M+G+A1	
RUN/OVERRIDE	B+A1	
RUN	B+A1	L+A2
START	B + S + A1	

03107



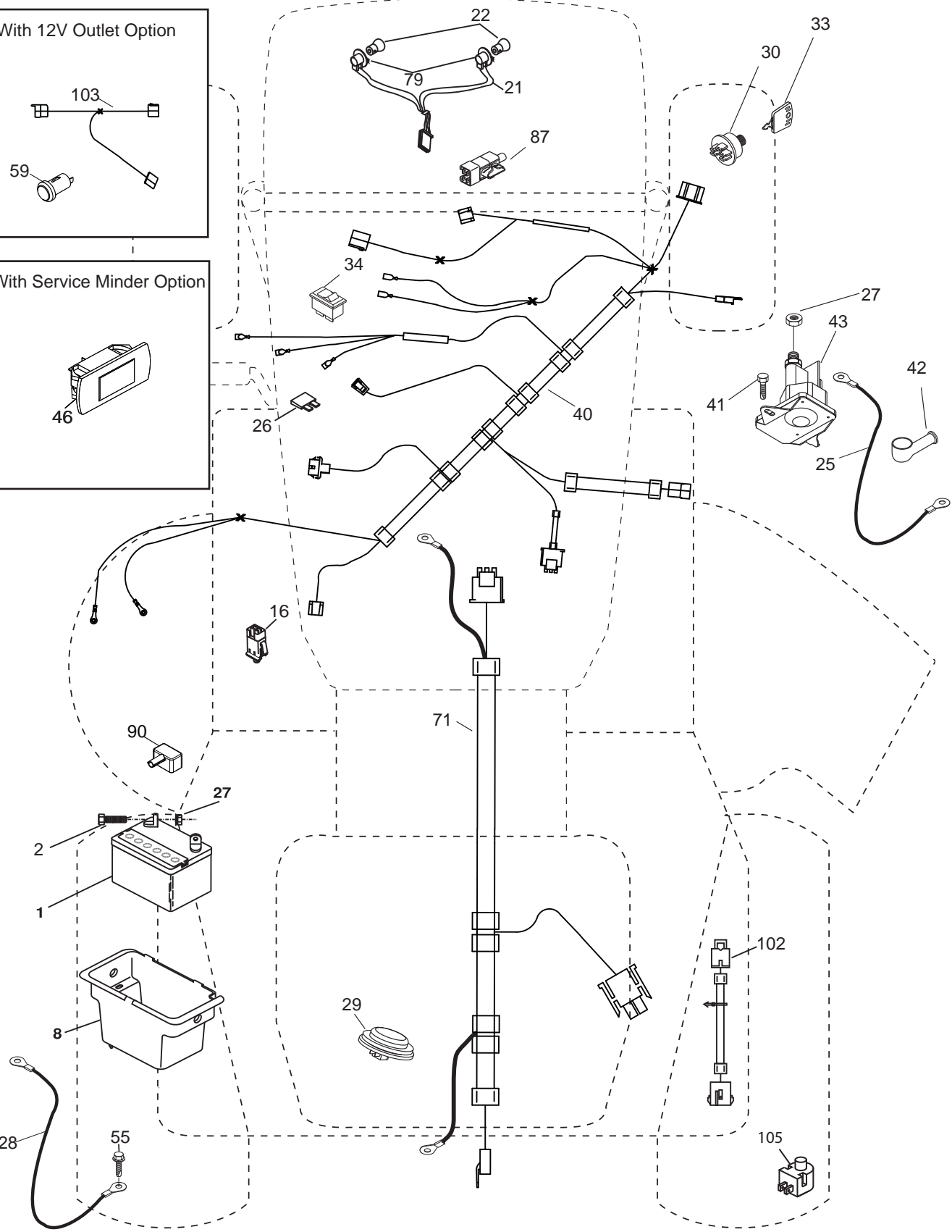
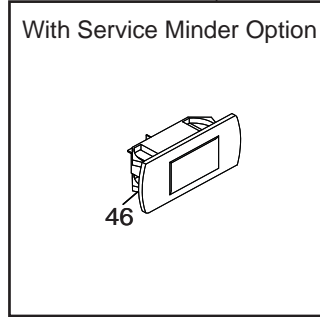
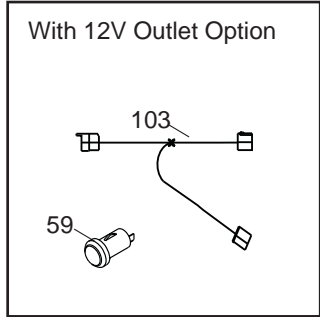
WIRING INSULATED CLIPS  
NOTE: IF WIRING INSULATED CLIPS WERE REMOVED FOR SERVICING OF UNIT, THEY SHOULD BE RE-INSTALLED TO PROPERLY SECURE YOUR WIRING.

NON-REMOVABLE CONNECTIONS

REMOVABLE CONNECTIONS

**TRACTOR - MODEL NO. YTH18K46 (96043014300), PRODUCT NO. 960 43 01-43  
ELECTRICAL**

T06S

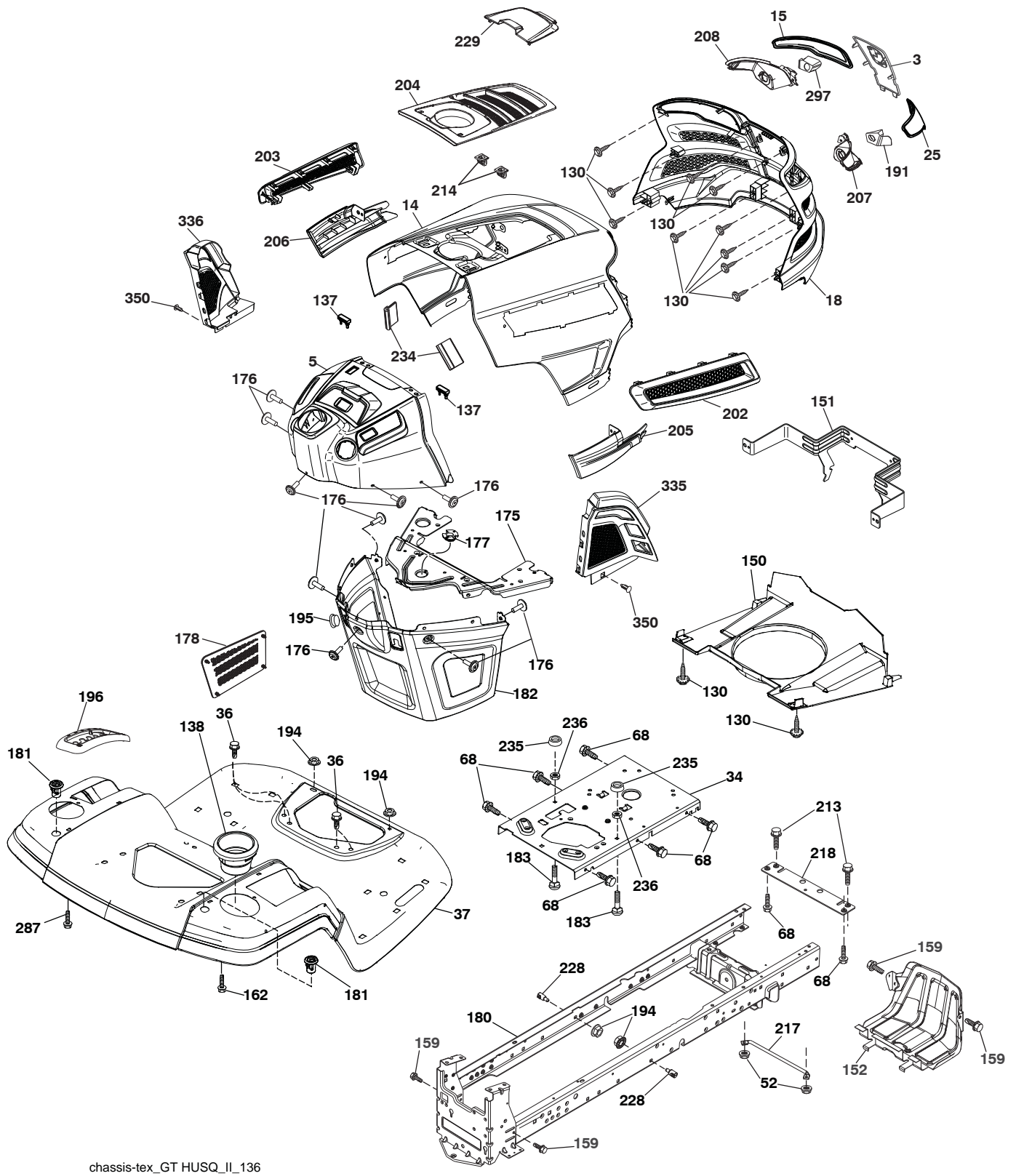


**TRACTOR - MODEL NO. YTH18K46 (96043014300), PRODUCT NO. 960 43 01-43  
ELECTRICAL**

<b>KEY NO.</b>	<b>PART NO.</b>	<b>DESCRIPTION</b>
1	532 16 34-65	Battery
2	874 76 04-12	Bolt Hex Head 1/4-20 x 3/4
8	532 19 32-28	Box Battery
16	532 17 61-38	Switch Interlock Push-In
21	532 40 02-52	Harness Socket Light w/4152J
22	532 00 41-52	Bulb Light
25	532 41 28-95	Cable Starter
26	532 17 51-58	Fuse
27	873 51 04-00	Nut Keps Hex 1/4-20 unc
28	532 19 88-85	Cable, Ground
29	532 40 15-45	Switch, Seat
30	532 19 33-50	Switch, Ign
33	532 41 19-33	Key/Chain
34	532 11 07-12	Switch Light/Reset
40	532 40 10-98	Harness Ign. Dash
41	817 72 04-08	Screw Thd Cut 1/4-20 x 1/2
42	532 13 15-63	Cover, Terminal
43	532 19 25-07	Solenoid
46	532 40 17-63	Gauge Serviceminder Hrmtr
55	817 06 05-12	Screw Thdrol 5/16-18 x 3/4 TYTT
71	532 40 04-49	Harness Ign. Chassis
79	532 17 52-42	Socket Asm. Bulb
87	532 19 78-02	Switch Interlock
90	532 43 53-95	Cover Terminal
102	532 40 44-54	Harness Pigtail
105	532 40 75-68	Switch Reverse

**NOTE:** All component dimensions given in U.S. inches  
1 inch = 25.4 mm

**TRACTOR - MODEL NO. YTH18K46 (96043014300), PRODUCT NO. 960 43 01-43  
CHASSIS**



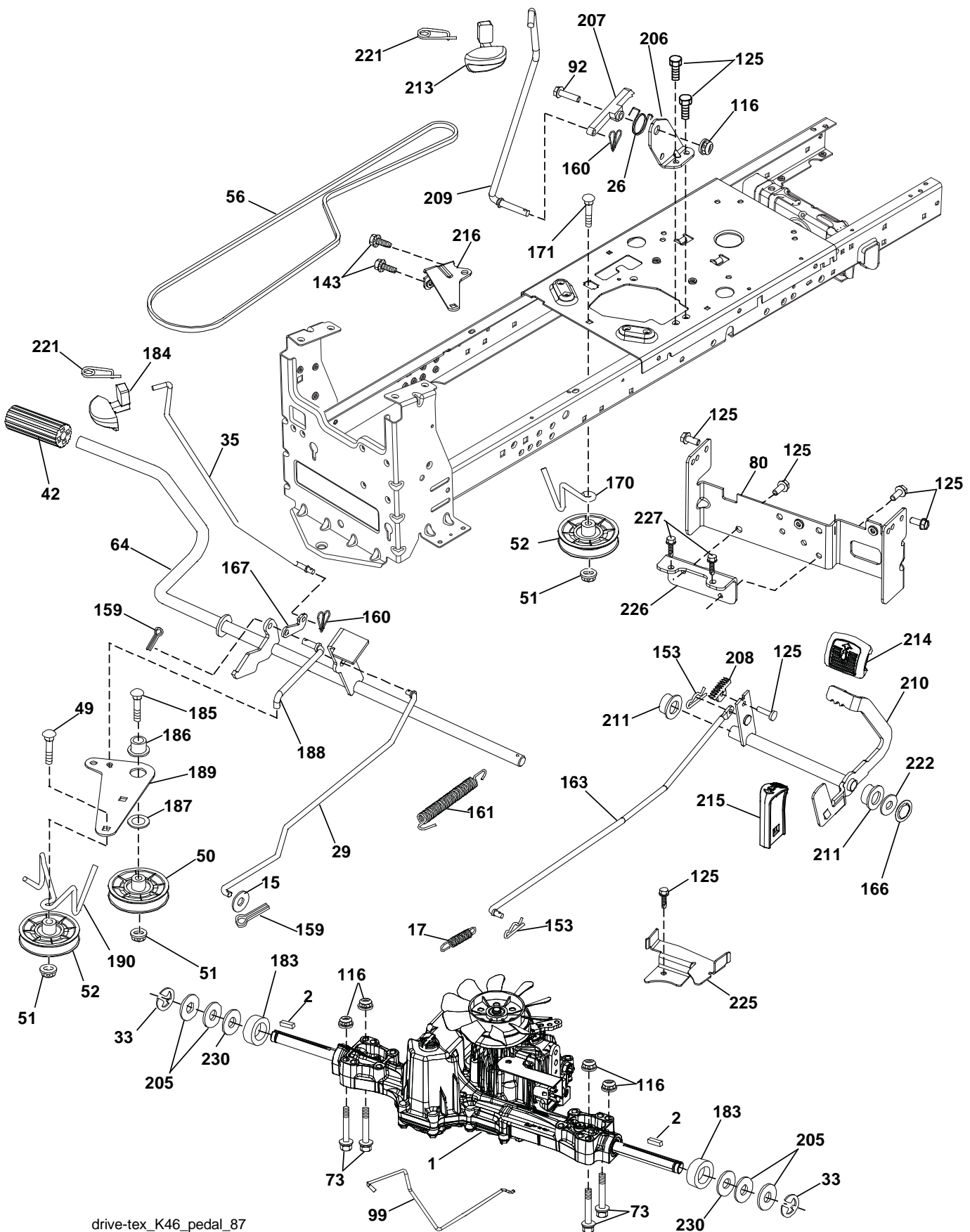
chassis-tex\_GT HUSQ\_II\_136

**TRACTOR - MODEL NO. YTH18K46 (96043014300), PRODUCT NO. 960 43 01-43  
CHASSIS**

KEY NO.	PART NO.	DESCRIPTION	KEY NO.	PART NO.	DESCRIPTION
3	532 43 97-52	Applique Sub Asm.	194	873 90 05-00	Nut Lock Hex Flange 5/16-18
5	532 43 74-81	Dash	195	532 40 41-37	Plug Hole Dash Lower
14	532 44 11-77	Hood	196	532 43 96-47	Console Asm. Deck Lift
15	532 43 97-33	Lens LH	202	532 43 97-28	Vent Side Hood RH
18	532 43 77-62	Grille	203	532 43 97-27	Vent Side Hood LH
25	532 44 33-85	Lens RH	204	532 44 06-65	Vent Top Hood
34	580 91 08-01	Plate Engine	205	532 43 97-30	Skirt Hood Side RH
36	817 06 05-12	Screw 5/16-18 x 3/4	206	532 43 97-29	Skirt Hood Side LH
37	532 44 12-06	Fender	207	532 43 97-34	Bezel RH
52	873 68 05-00	Nut Lock 5/16-18	208	532 43 97-35	Bezel LH
68	817 49 05-08	Screw Thdrol 5/16-18 x 1/2	213	874 76 05-12	Bolt 5/16-18 x 3/4
130	532 41 63-58	Screw #10 x 0.750	214	532 19 91-45	Clip Retainer Tinner
137	532 40 75-90	Bumper Dash	217	532 40 91-67	Rod Pivot
138	532 43 97-47	Cupholder	218	532 19 63-95	X-Piece Hood Stop
150	532 43 97-31	Air Duct	228	532 19 51-61	Stud Fastner
151	532 43 66-70	Bracket Pivot	229	532 44 14-63	Lid Extension
152	532 43 98-70	Shield Browning	234	532 40 47-42	Bumper Hood
159	817 00 06-12	Screw Hexwsh Thrd 3/8-16 x 3/4	235	532 40 61-29	Spacer Fender
162	532 14 24-32	Screw	236	873 93 05-00	Nut Lock 5/16-18 unc
175	532 19 63-04	Crossmember	287	817 60 04-06	Screw 1/4-20 x 3/8
176	532 40 07-76	Screw 10-24 x 5/8	297	532 43 74-56	Insert Reflective LH
177	532 19 52-27	Bushing Steering	335	532 44 82-04	Cover RH
178	532 19 97-82	Cargo Asm. Net	336	532 44 53-09	Cover LH
180	532 19 54-57	Chassis	350	532 44 51-43	Clip X-mas Tree
181	532 43 97-46	Bushing Mtg. Fender Crgo			
182	532 40 68-59	Dash Lower			
183	874 52 05-20	Bolt 5/16-18 x 1-1/4			
191	532 43 74-55	Insert Reflective RH			

**NOTE:** All component dimensions given in U.S. inches  
1 inch = 25.4 mm

**TRACTOR - MODEL NO. YTH18K46 (96043014300), PRODUCT NO. 960 43 01-43 DRIVE**



drive-tex\_K46\_pedal\_87

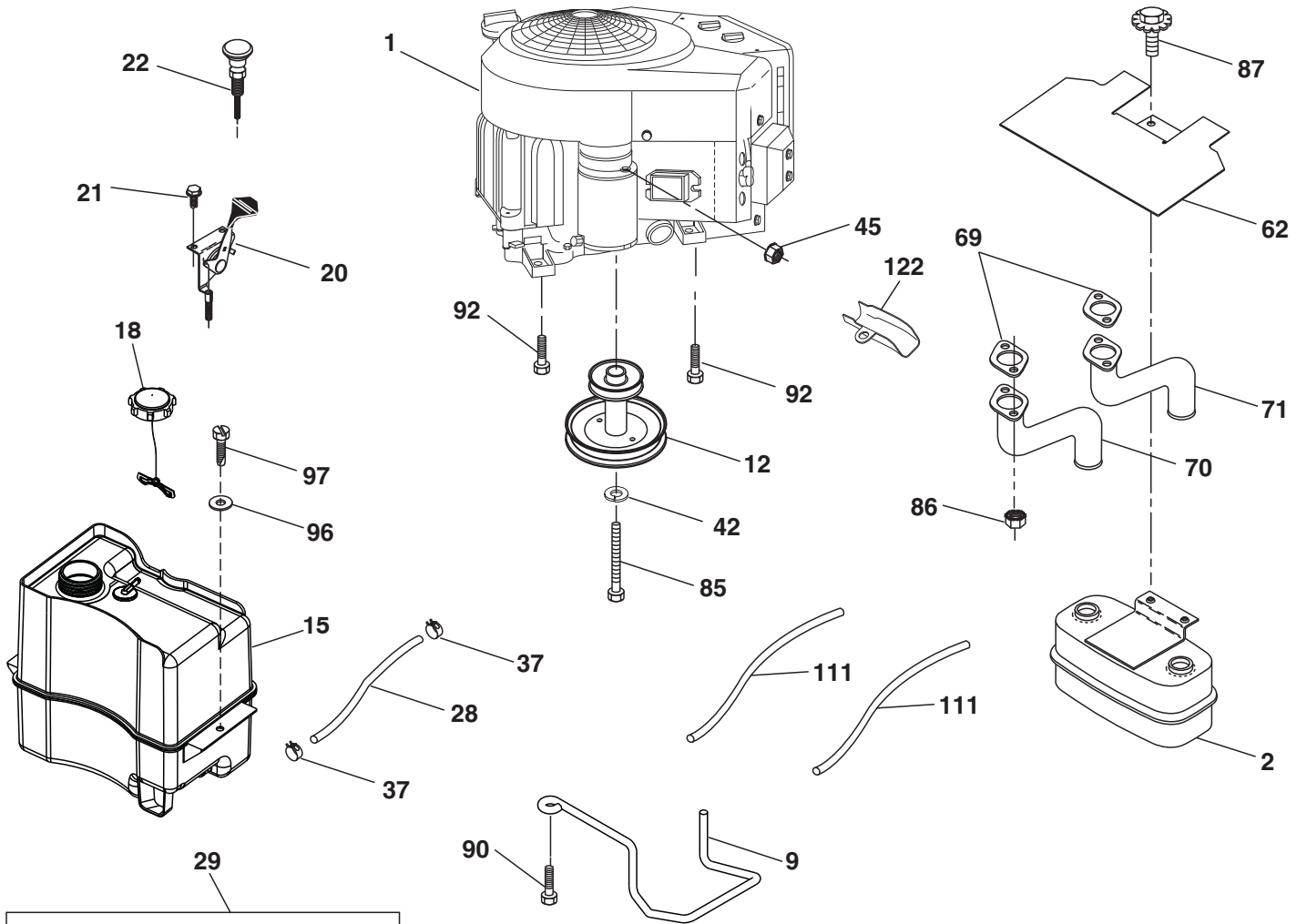


# TRACTOR - MODEL NO. YTH18K46 (96043014300), PRODUCT NO. 960 43 01-43 DRIVE

KEY NO.	PART NO.	DESCRIPTION	KEY NO.	PART NO.	DESCRIPTION
1	---	Transaxle, TUFFTORQ K46BT (426120) (Order parts from transaxle manufacturer.)	171	872 11 06-16	Bolt 3/8-16 unc x 2
2	532 12 35-83	Key Square	183	532 13 70-57	Spacer Axle
15	819 13 13-16	Washer 13/32 x 13/16 x 16 Ga.	184	532 44 14-55	Handle Parking Brake
17	532 41 36-78	Spring, Brake	185	872 11 06-22	Bolt
26	532 19 96-79	Spring Return Cruise	186	532 19 43-21	Spacer Retainer
29	532 40 38-06	Rod, Brake	187	819 13 32-10	Washer
33	812 00 00-01	Ring E	188	532 19 43-23	Link Clutch Ground Drive
35	532 43 54-86	Rod, Brake, Park	189	532 19 43-17	Bellcrank Ground Drive
42	532 12 48-72	Cover, Foot Pedal	190	532 19 43-18	Keeper Bellcrank Ground Drive
49	872 11 06-14	Bolt	205	532 12 17-48	Washer 25/32 x 1-5/8 x 16 Ga.
50	532 19 43-27	Pulley Idler Flat	206	532 19 78-67	Bracket Mount Latch Cruise
51	873 90 06-00	Lock Nut 3/8-16	207	532 19 78-68	Latch Control Cruise
52	532 19 43-26	Idler V-Groove	208	532 19 78-69	Gear Sector Control Cruise
56	532 13 09-69	V-Belt, Drive	209	532 19 95-92	Rod Control Cruise
64	532 19 78-65	Shaft Asm. Pedal Brake Control	210	532 40 09-80	Rocker Asm. Pedal Control
73	874 49 05-40	Bolt Hex 5/16-18 x 2 1/2 G.5	211	532 12 01-83	Bearing Nylon
80	532 44 06-19	Strap Torque	213	532 40 31-19	Knob Control Cruise
92	874 76 05-20	Bolt Fin Hex 5/16-18 unc x 1.25	214	532 42 12-63	Pedal Forward
99	532 41 57-42	Rod Spring Bypass	215	532 40 17-23	Pedal Reverse
116	873 90 05-00	Nut Lock Hex Flange 5/16-18	216	532 19 61-31	Bracket Pulley Idler
125	817 00 05-12	Screw 5/16-18 x 3/4	221	532 40 31-87	Retainer Spring Clip Handle
143	817 49 05-08	Screw 5/16-18 x 1/2	222	879 21 20-10	Washer 21/32 x 1-1/4 10 Ga.
153	532 12 47-88	Retainer Spring 1"	225	532 40 33-19	Keeper Belt Transaxle
159	876 02 04-12	Pin Cotter 1/8 x 3/4	226	532 40 15-64	Bracket Strap Torque
160	532 16 94-84	Retainer Clip	227	817 49 05-12	Screw 5/16-18 x 3/4
161	532 10 57-09	Spring, Return, Clutch	230	532 18 89-67	Washer .793 x 1.637 x 060
163	532 44 82-75	Rod Control			
166	532 42 91-64	Nut Push			
167	532 40 52-57	Latch Brake Parking			
170	532 19 43-22	Keeper V-Idler			

**NOTE:** All component dimensions given in U.S. inches  
1 inch = 25.4 mm

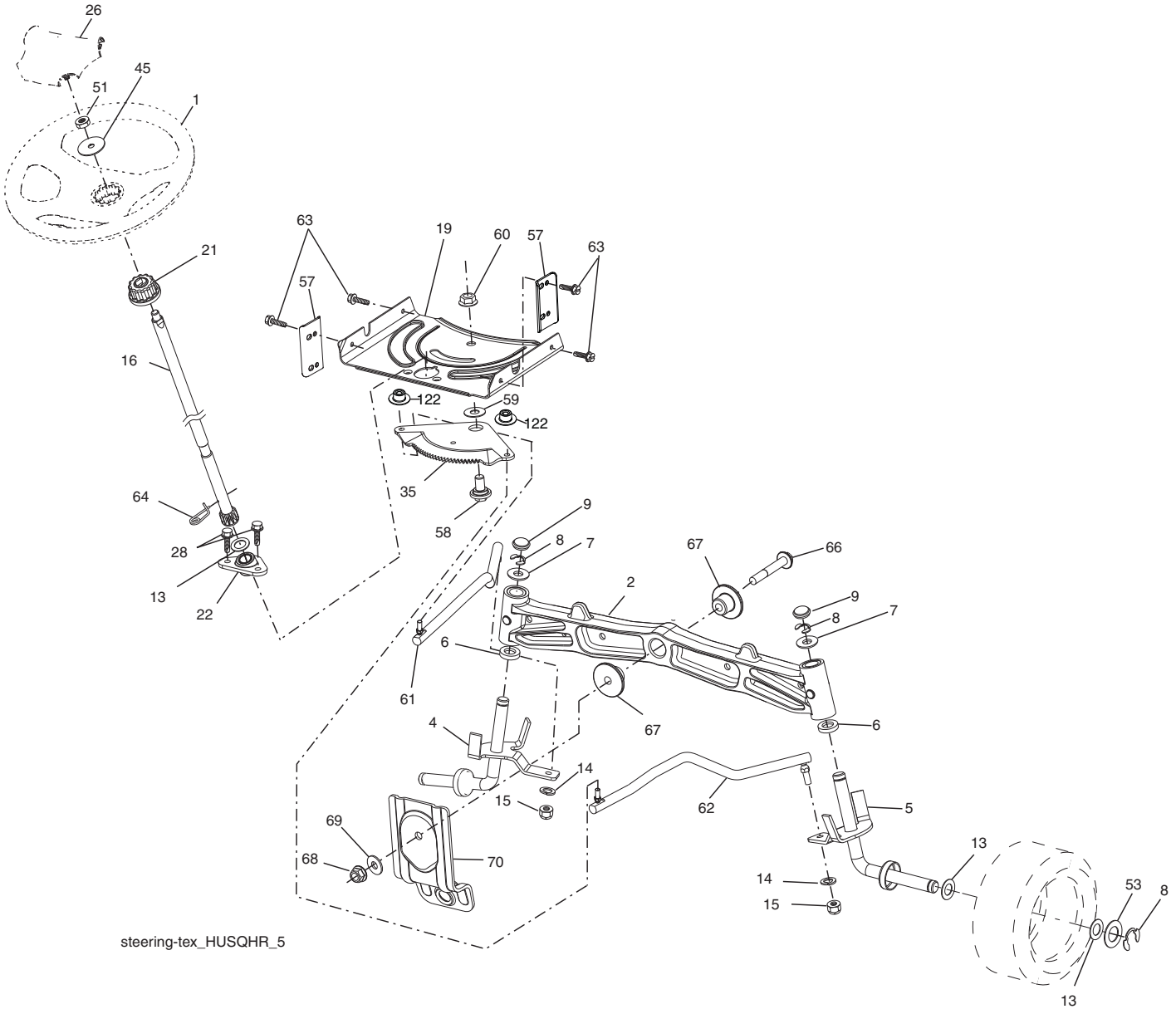
**TRACTOR - MODEL NO. YTH18K46 (96043014300), PRODUCT NO. 960 43 01-43  
ENGINE**



engine-tex\_Kawa-2cyl\_22



**TRACTOR - MODEL NO. YTH18K46 (96043014300), PRODUCT NO. 960 43 01-43**  
**STEERING ASSEMBLY**



steering-tex\_HUSQHR\_5

**TRACTOR - MODEL NO. YTH18K46 (96043014300), PRODUCT NO. 960 43 01-43  
STEERING ASSEMBLY**

<b>KEY NO.</b>	<b>PART NO.</b>	<b>DESCRIPTION</b>
1	532 43 97-40	Wheel, Steering
2	532 19 59-68	Axle Cast Iron
4	532 40 30-87	Spindle Asm., LH
5	532 40 30-88	Spindle Asm., RH
6	532 12 49-31	Washer, Thrust
7	532 12 17-48	Washer 25/32 x 1-5/8 x 16 Ga.
8	812 00 00-29	Ring, Klip #T5304-75
9	532 12 12-32	Cap, Spindle
13	532 12 17-49	Washer 25/32 x 1-1/4 x 16 Ga.
14	810 04 06-00	Washer, Lock Hvy Hlcl Spr 3/8
15	873 54 06-00	Nut, Crown Lock 3/8-24 unf
16	532 40 82-19	Shaft Steering
19	532 19 47-29	Plate Steering
21	532 18 67-37	Adapter, Wheel Steering
22	532 42 05-37	Steering Support
26	532 43 97-43	Insert, Wheel Steering
28	817 00 06-12	Screw 3/8-16 x 3/4
35	532 19 47-32	Gear, Sector Plate
45	819 18 38-12	Washer 9/16 ID x 2-3/8 OD 12 Ga.
51	873 94 08-00	Nut Hex Jam Toplock 1/2-20 unf
53	532 18 89-67	Washer Hardened .793x1.637x.060
57	532 40 74-65	Bracket Upstop
58	532 19 47-47	Bolt Shoulder Sector Pivot CFM
59	532 19 47-48	Washer Thrust Sector Steering
60	873 97 10-00	Nut Flange Lock 5/8-11
61	532 19 47-40	Draglink, LH
62	532 19 47-41	Draglink, RH
63	817 00 05-12	Screw 5/16-18 x 3/4
64	532 19 98-49	Retainer Clip Spring Steering
66	871 02 07-48	Bolt Hex Fghd 7/16-14 x 3 Serr
67	532 19 47-37	Bushing PM Front Axle
68	873 90 07-00	Nut Lock Flange 7/16-14 Gr. 5
69	532 19 91-62	Washer 1.5 x .505 x .118
70	532 19 61-97	Bracket Deck Susp. Front
122	532 44 49-62	Cap Gear

**NOTE:** All component dimensions given in U.S. inches  
1 inch = 25.4 mm

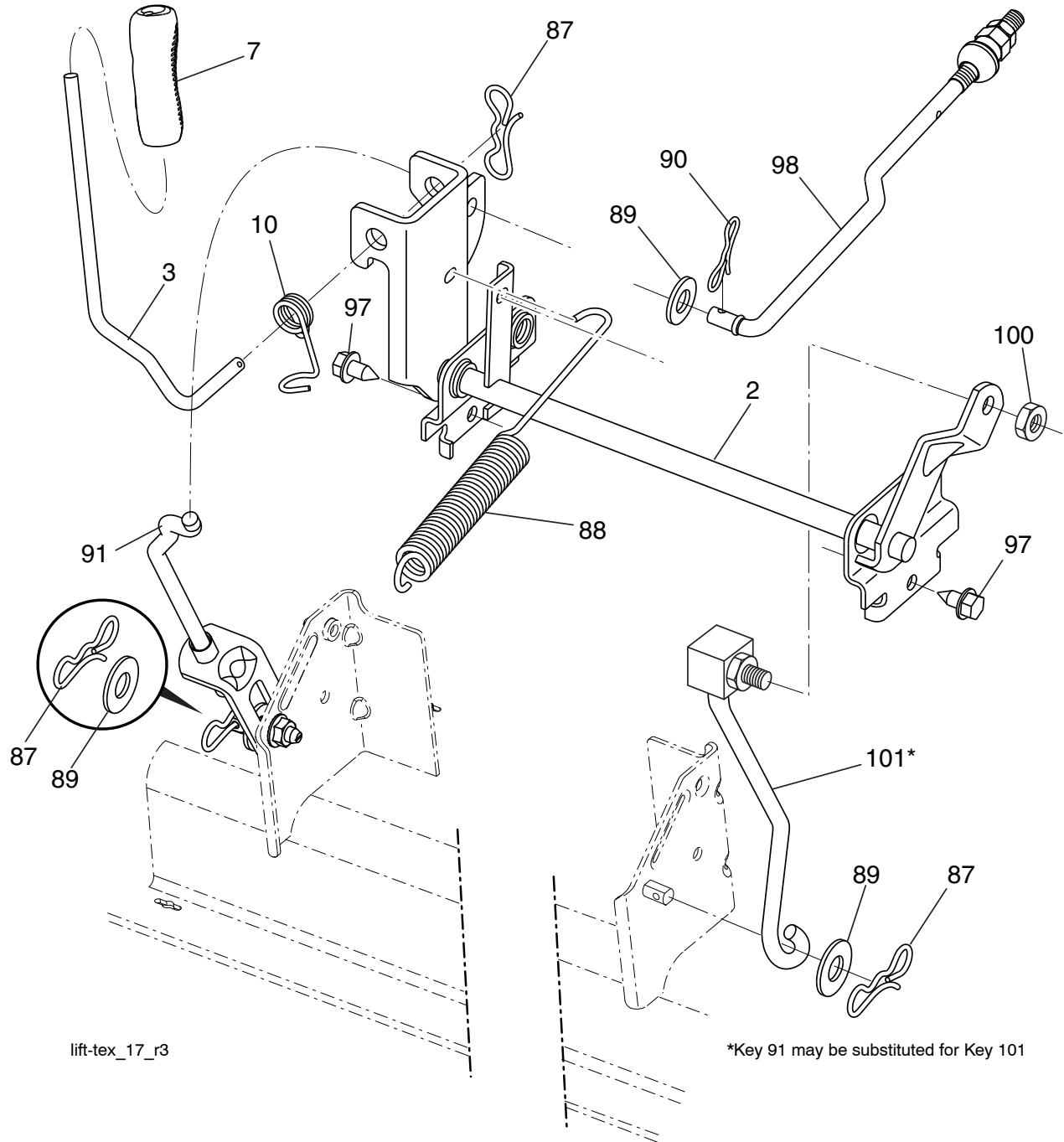


**TRACTOR - MODEL NO. YTH18K46 (96043014300), PRODUCT NO. 960 43 01-43  
MOWER DECK**

<b>KEY PART NO. NO.</b>	<b>DESCRIPTION</b>	<b>KEY PART NO. NO.</b>	<b>DESCRIPTION</b>		
1	532 44 23-82	Mower Housing	63	532 19 94-77	Arm Brake Mower
2	532 40 55-07	Cover Mandrel LH	64	532 40 51-38	Linkage Brake
3	532 40 55-06	Cover Mandrel RH	67	532 40 30-12	Handle, Clutch Cable
6	532 19 51-86	Arm Suspension	68	532 40 51-43	V-Belt
7	532 41 63-58	Screw # 10 x 0.750	69	872 14 05-05	Bolt
8	532 19 30-03	Bolt/Washer asm 7/16-20 unf	70	532 19 99-72	Clutch Asm. Cable
11	532 40 53-80	Blade Mower Hi Lift	113	817 00 05-10	Screw 5/16-18
13	532 19 28-72	Shaft Assembly, Mandrel	116	532 19 34-06	Bolt, Shoulder
14	532 18 72-81	Housing, Mandrel	117	532 17 48-73	Wheel, Gauge
15	532 11 04-85	Bearing, Ball, Mandrel	119	819 13 20-12	Washer 13/32 x 1-1/4 x 12 Ga.
19	532 19 65-39	Bolt, Shoulder	122	532 19 72-58	Keeper Belt Eng. LH
21	873 68 05-00	Nut	123	532 19 72-59	Keeper Belt Eng. RH
23	532 19 25-57	Bracket, Deflector	144	532 19 92-04	Keeper Belt
24	532 10 53-04	Cap, Sleeve	145	532 19 31-97	Pulley Idler
25	532 19 70-26	Spring, Torsion, Deflector	147	532 40 18-72	Spring Return
26	532 11 04-52	Nut, Push	152	532 43 51-10	Cable Clutch Manual w/Spr.
27	532 40 53-57	Shield, Deflector	188	532 19 51-61	Stud Fastener
29	532 13 14-91	Rod, Hinge	189	873 90 05-00	Nut Lock Hex Flange
30	532 17 39-84	Screw Thdrol Rolling Wsh Hd	195	817 00 06-12	Screw 3/8-16 x 3/4
31	532 18 76-90	Washer, Spacer	197	819 13 13-12	Washer 13/32 x 13/16 x 12 Ga.
32	532 19 74-73	Pulley, Mandrel	198	532 40 31-49	Baffle Center Front
33	532 40 02-34	Nut, Toplock, Flanged	199	532 40 31-50	Baffle Front RH
34	872 11 06-12	Bolt Carr Sh. 3/8-16 x 1-1/2 Gr. 5	200	532 41 35-24	Washer 13/32 x 1 x 1/2 11 Ga.
36	532 19 73-79	Pulley, Idler, Flat	240	874 52 06-36	Bolt 3/8-16 unc x 2-1/4 Gr. 5
37	819 13 13-16	Washer 13/32 x 13/16 x 16 Ga.	241	532 15 29-27	Screw
38	532 43 25-20	Keeper Belt LH Mandrel	242	532 41 55-98	Washout Port
40	873 90 06-00	Nut, Lock Flg. 3/8-16 unc	--	532 41 64-05	Quick Connect Coupling
42	532 19 84-10	Spring Torsion Brake	--	532 19 28-70	Mandrel Assembly (Includes hous- ing, shaft assembly, and bearing only - pulley/nut/washer and blade bolt/washers not included)
43	532 19 72-56	Spring Torsion Retainer	--	532 43 18-23	Replacement Mower, Complete
46	532 13 77-29	Screw			
47	532 19 72-50	Bracket Clutch Cable			
55	532 19 72-49	Arm, Idler			
56	532 19 90-92	Spacer, Retainer			
57	817 00 06-16	Screw Hexwsh Thd 3/8-16 x 1			
59	532 14 10-43	Guard, Tuv Idler (94)			
60	532 19 94-71	Arm Brake Mower LH			

**NOTE:** All component dimensions given in U.S. inches  
1 inch = 25.4 mm

**TRACTOR - MODEL NO. YTH18K46 (96043014300), PRODUCT NO. 960 43 01-43  
MOWER LIFT**



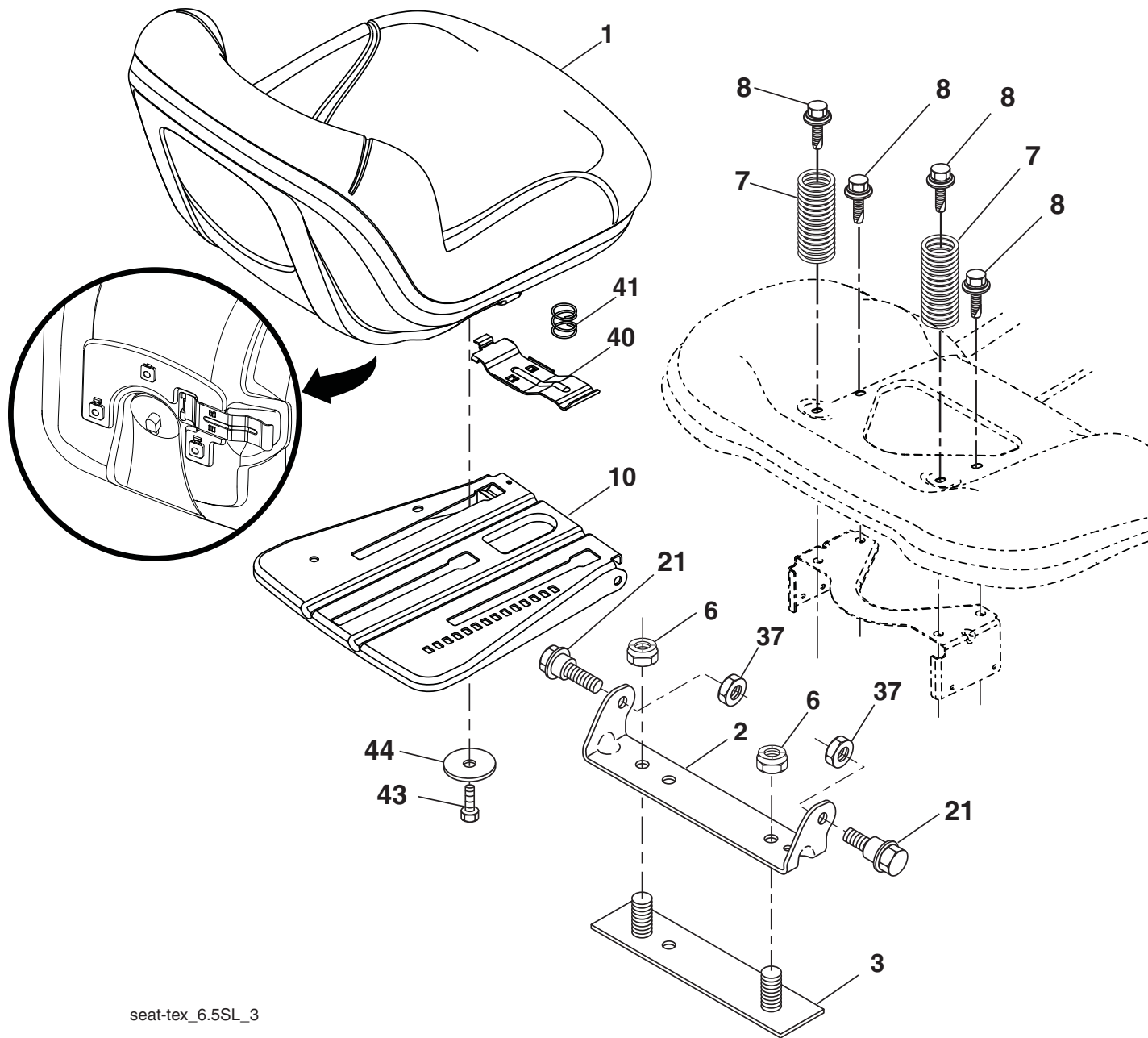
KEY NO.	PART NO.	DESCRIPTION
2	532 42 20-27	Shaft Asm., Lift
3	532 19 52-31	Lever Asm., Lift RH
7	580 96 23-01	Grip, Lever
10	532 19 63-14	Spring Torsion
87	532 19 42-09	Pin Cotter 7/16 Bow Tie Lock
88	532 41 07-10	Spring Lift Assist
89	819 19 19-12	Washer Clear Zinc
90	532 19 42-08	Pin Cotter 5/16 Bow Tie Lock
91	532 19 51-81	Link Lift Susp Mower Rear

KEY NO.	PART NO.	DESCRIPTION
97	817 00 06-12	Screw 3/8-16 x .75 Smgml Tap/R.Z
98	532 19 52-70	Link Lift Susp. Front Mower
100	873 93 06-00	Nut Center Lock 3/8-16 unc
101	532 40 70-03	Link Asm Lift Fixed

**NOTE:** All component dimensions given in U.S. inches  
1 inch = 25.4 mm



**TRACTOR - MODEL NO. YTH18K46 (96043014300), PRODUCT NO. 960 43 01-43  
SEAT ASSEMBLY**



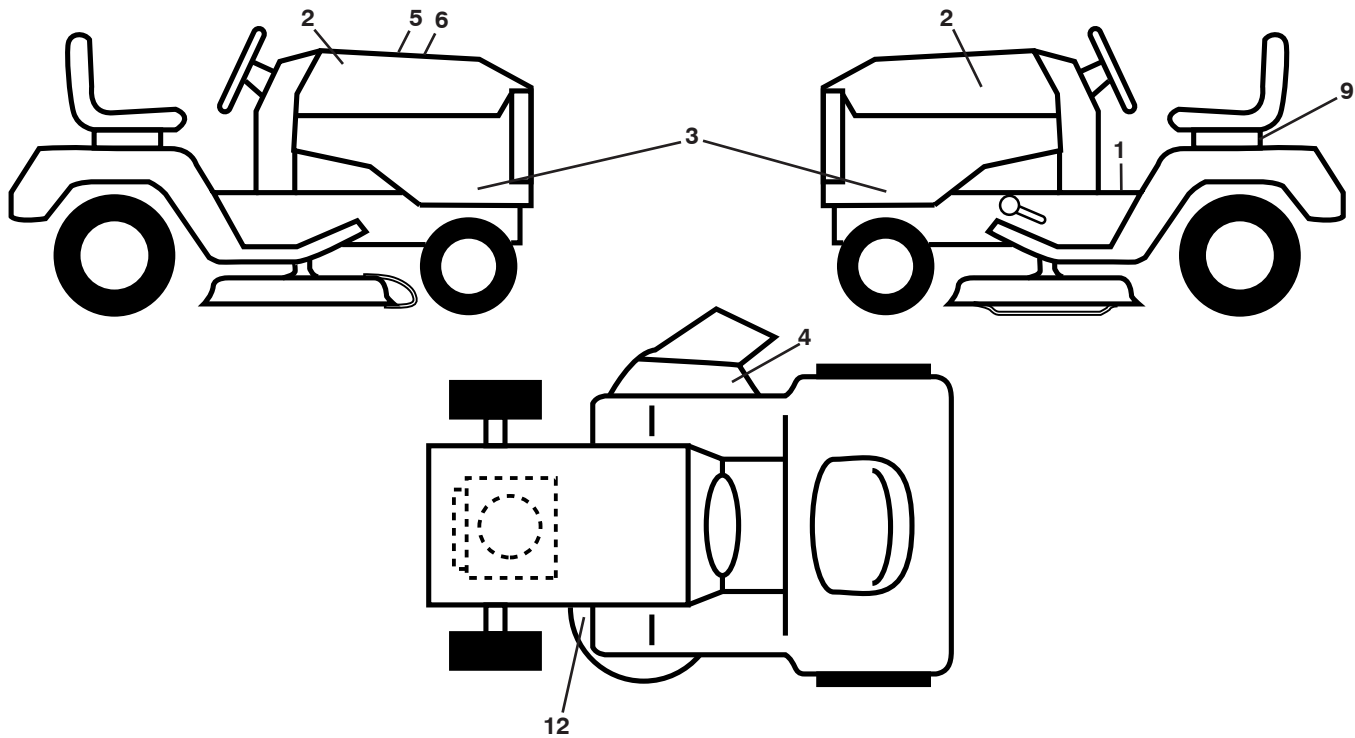
seat-tex\_6.5SL\_3

KEY NO.	PART NO.	DESCRIPTION
1	532 43 98-22	Seat
2	532 18 01-66	Bracket Pivot Fender
3	532 14 06-75	Strap, Asm Fender
6	873 80 06-00	Nut, Lock w/Ins. 3/8-16 unc
7	532 12 41-81	Spring, Seat Cprsn
8	532 17 18-77	Bolt 5/16-18 unc x 3/4 w/Sems
10	532 19 69-77	Pan, Seat
21	532 17 18-52	Bolt, Shoulder 5/16-18

KEY NO.	PART NO.	DESCRIPTION
37	873 80 05-00	Nut, Lock 5/16-18 unc
40	532 19 76-61	Handle Slide Seat
41	532 19 82-00	Spring Latch Seat
43	874 76 06-12	Bolt Fin Hex 3/8-16 unc x 3/4
44	819 13 38-12	Washer 13/32 x 2-3/8 x 12 Ga.

**NOTE:** All component dimensions given in U.S. inches  
1 inch = 25.4 mm

**TRACTOR - MODEL NO. YTH18K46 (96043014300), PRODUCT NO. 960 43 01-43  
DECALS**



KEY NO.	PART NO.	DESCRIPTION
1	532 41 16-57	Decal, Fender Warning
2	532 42 91-96	Decal, Hood
3	581 51 04-01	Decal, Hood Panel SD
4	532 17 05-63	Decal, Mower
5	532 42 38-29	Decal, Customer Respons.
6	581 48 02-01	Decal, Replacement
9	532 14 50-05	Decal, Battery Dnge/Poi

KEY NO.	PART NO.	DESCRIPTION
12	532 16 03-96	Decal, Mower V-Belt Schematic
--	532 16 69-60	Decal, Bypass
--	532 43 96-81	Pad, Footrest, LH
--	532 43 96-82	Pad, Footrest, RH
--	581 50 97-49	Manual, Operator's(English/ Spanish)
--	581 50 98-49	Manual, Parts (English/Spanish)

**WHEELS AND TIRES**

KEY NO.	PART NO.	DESCRIPTION
1	532 05 91-92	Cap Valve Tire
2	532 06 51-39	Stem Valve
3	532 13 83-36	Rim Front
4	532 05 99-04	Tube Front (Service Item Only)
5	532 10 62-22	Tire Front 15 x 6.0-6
6	532 12 49-57	Fitting Grease (Front Wheel Only)
7	532 12 49-59	Bearing Flange (Front Wheel Only)
8	532 17 50-39	Cap Axle Blk 1 50 x 1 00
9	532 13 84-68	Tire R 20 x 8-8 Turf Saver LT
10	532 12 49-26	Tube Rear (Service Item Only)
11	532 13 83-37	Rim Asm 8" Rear
--	532 14 43-34	Sealant, Tire (10 oz. Tube)

**NOTE:** All component dimensions given in U.S. inches  
1 inch = 25.4 mm

wheel\_art\_1-tex

**08/31/2012 JM**