

# Repair Parts Manual Manual De Repuestos

LGT24K54/240472

Please read the operator's manual carefully and make sure you understand the instructions before using the machine.

Por favor lea cuidadosamente y comprenda estas intrucciones antes de usar esta maquina.



English/Spanish



581 58 77-27

# HOW TO USE THIS MANUAL

This manual is designed to provide the customer with a means to identify the parts on his/her tractor when ordering repair parts. The illustrations may or may not represent the actual assemblies; therefore, it is not recommended to use this manual as a guide to assemble or disassemble the tractor. Some hardware and parts are drawn larger in order to more readily identify them.

Each tractor has its own model number.

The model number for your tractor can be found on the fender under the seat.

When ordering parts, always give the following information:

- Product - "TRACTOR"
- MODEL NUMBER - "LGT24K54" (240472)"
- Part Number
- Part Description

## TABLE OF CONTENTS

SCHEMATIC .....	3
ELECTRICAL.....	4-5
CHASSIS .....	6-7
DRIVE.....	8-9
ENGINE.....	10-11
STEERING .....	12-13
MOWER DECK.....	14-15
MOWER LIFT.....	16
SEAT .....	17
DECALS.....	18
TRANSAXLE BREAKDOWN .....	20-21
ENGINE BREAKDOWN.....	22-26

## COMO UTILIZAR ESTE MANUAL

Este manual está diseñado para brindarle al comprador un medio para identificar las piezas del tractor para cuando necesite hacer el pedido de un repuesto. Las ilustraciones pueden o no representar los ensambles reales; por lo tanto, no se recomienda utilizar este manual como una guía para ensamblar o desarmar el tractor. Algunos accesorios y piezas están dibujados en tamaños más grandes para identificarlos con mayor facilidad.

Cada tractor tiene su propio número de modelo.

El número de modelo del tractor se encuentra en el guardabarros debajo del asiento.

Cuando haga el pedido de una pieza, siempre brinde la siguiente información:

- Producto: "TRACTOR"
- NÚMERO DE MODELO: "LGT24K54" (240472)"
- Número de pieza
- Descripción de la pieza

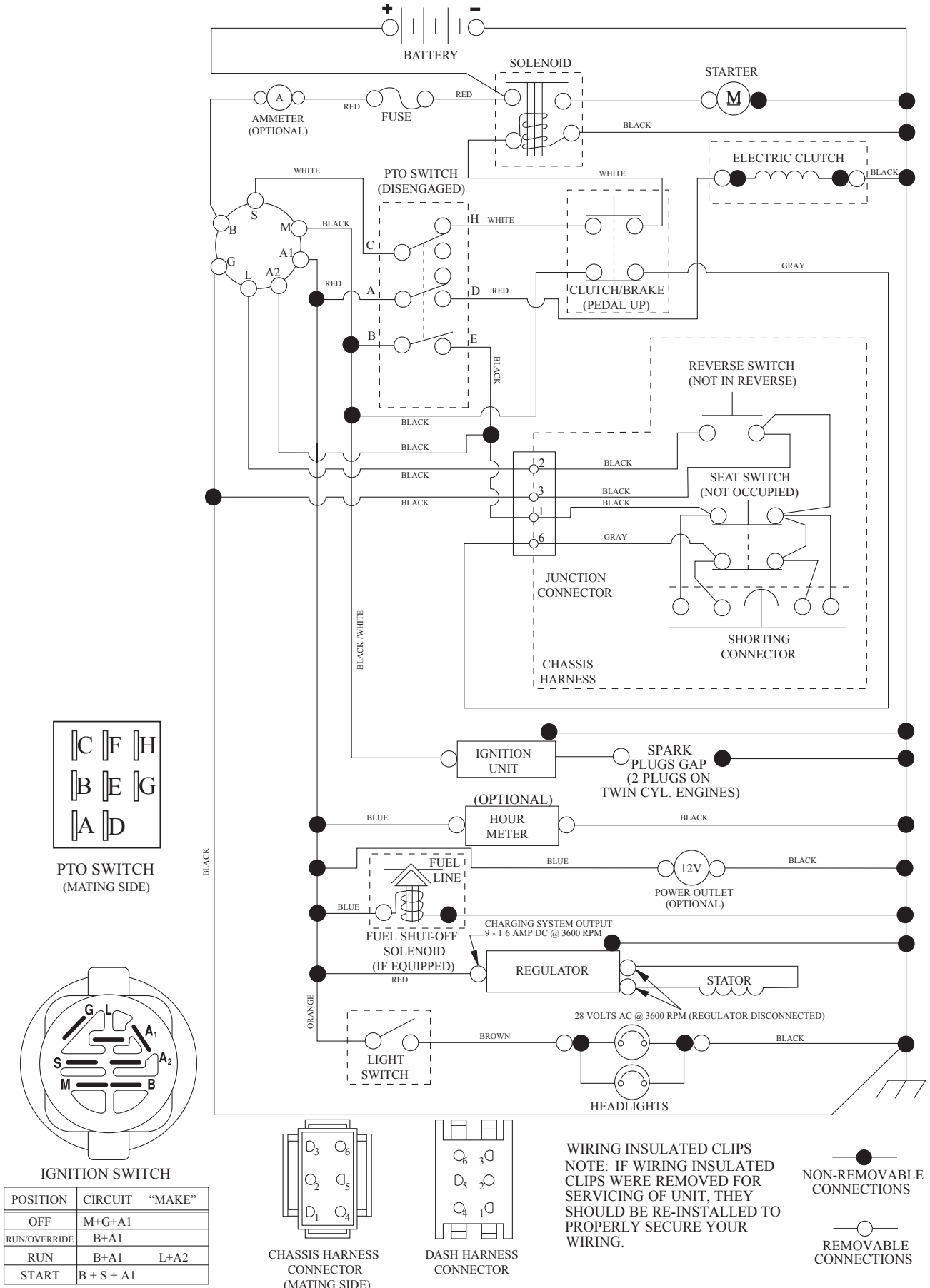
## ÍNDICE

DIAGRAMA.....	27
DIAGRAMA ELÉCTRICO .....	28-29
CHASIS .....	30-31
TRANSMISIÓN .....	32-33
MOTOR .....	34-35
DIRECCIÓN .....	36-37
PLATAFORMA DE LA CORTADORA DE CÉSPED.....	38-39
ELEVACIÓN DE LA CORTADORA DE CÉSPED.....	40
ASIENTO.....	41
CALCOMANÍAS.....	42
TRANSEJE .....	44-45
MOTOR .....	46-51

# TRACTOR - MODEL NO. LGT24K54 (240472)

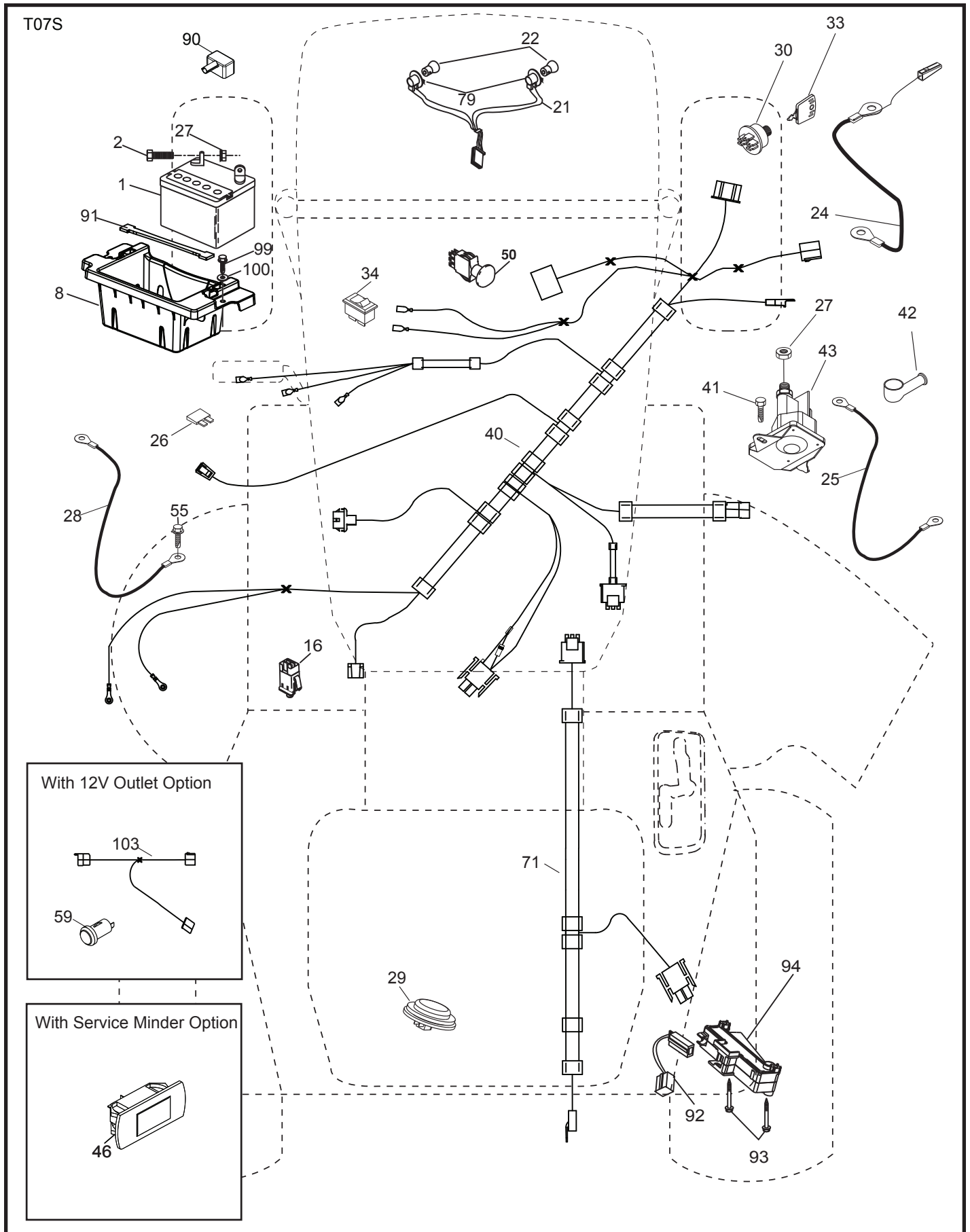
## SCHEMATIC

SCH12



# TRACTOR - MODEL NO. LGT24K54 (240472)

## ELECTRICAL



# TRACTOR - MODEL NO. LGT24K54 (240472)

## ELECTRICAL

KEY NO.	PART NO.	DESCRIPTION
1	532 16 34-65	Battery
2	874 76 04-12	Bolt Hex Hd 1/4-20 unc x 3/4
8	532 18 64-91	Battery Box
16	532 17 61-38	Switch Interlock
21	532 40 02-52	Harness Socket Light
22	532 00 41-52	Bulb, Light #1156
24	532 40 02-53	Cable Battery
25	532 41 28-95	Cable Starter
26	532 17 51-58	Fuse
27	873 51 04-00	Nut Keps Hex 1/4-20 unc
28	532 14 54-91	Cable Ground 21" Blk 6 Ga.
29	532 40 15-45	Switch Seat
30	532 19 33-50	Switch Ign
33	532 41 19-33	Key/Chain
34	532 11 07-12	Switch Light/Reset
40	532 40 11-04	Harness Ign. Dash
41	817 72 04-08	Screw Thd Cut 1/4-20 x 1/2
42	532 13 15-63	Cover Terminal Red
43	532 19 25-07	Solenoid
46	532 40 17-63	Gauge Hourmeter
50	532 17 46-51	Switch PTO
55	817 06 05-12	Screw Thdrol 5/16-18 x 3/4
59	532 40 03-03	Outlet 12-Volt
71	532 19 42-76	Harness Ign Chassis
79	532 17 52-42	Socket Asm Bulb
90	532 43 53-95	Cover Terminal Battery
91	532 19 02-70	Strap Battery
92	532 19 66-15	Harness Pigtail Reverse Switch
93	532 19 25-40	Screw Plastite 10-14 X 2.00
94	532 19 18-34	Module Reverse ROS
99	817 67 04-12	Screw Hexwsh Thdrol 1/4-20 x 3/4
100	819 09 14-16	Washer 9/32 x 7/8 x 16 Ga.
103	532 40 79-62	Harness Pigtail 12 V Outlet

**NOTE:** All component dimensions given in U.S. inches  
1 inch = 25.4 mm



# TRACTOR - MODEL NO. LGT24K54 (240472)

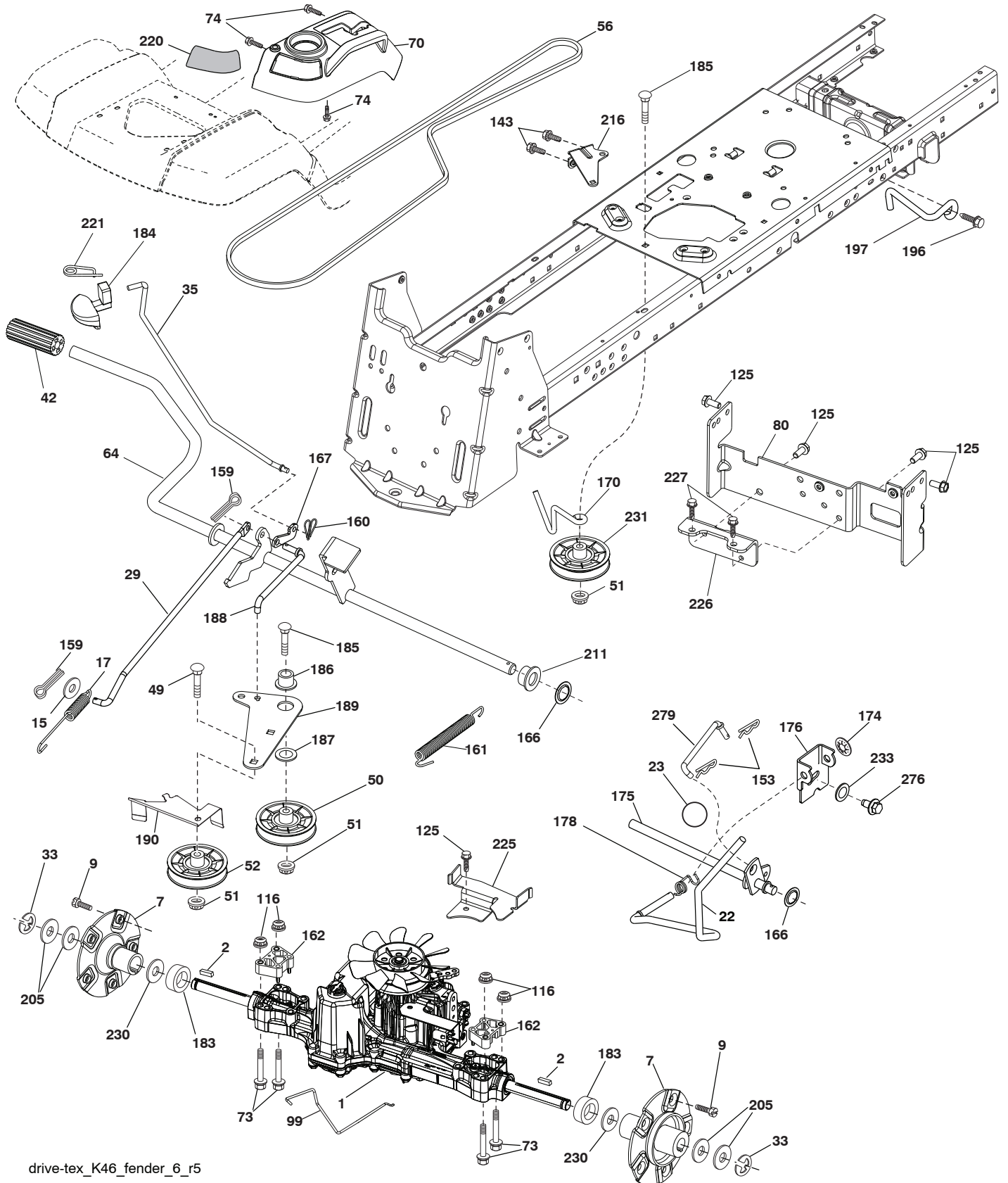
## CHASSIS

KEY NO.	PART NO.	DESCRIPTION	KEY NO.	PART NO.	DESCRIPTION
3	532 44 44-81	Applique	194	873 90 05-00	Nut Lock Hex Flange 5/16-18
5	532 43 74-80	Dash	196	532 43 97-16	Console Asm. Deck Lift
14	532 44 11-77	Hood Asm.	199	532 19 82-59	Plate Deck Lift
15	532 43 97-33	Lens LH	202	532 43 97-28	Vent Side Hood RH
18	532 43 77-62	Grille Asm.	203	532 43 97-27	Vent Side Hood LH
25	532 44 33-85	Lens RH	204	532 44 44-84	Vent Asm Hood Top
34	580 91 08-01	Plate Engine	205	532 43 97-30	Skirt Hood Side RH
36	817 06 05-12	Screw 5/16-18 x 3/4	206	532 43 97-29	Skirt Hood Side LH
37	532 44 12-08	Fender	207	532 43 97-34	Bezel RH
52	873 68 05-00	Nut Crown Lock 5/16-18	208	532 43 97-35	Bezel LH
58	532 19 43-14	Bracket Fender	213	874 76 05-12	Bolt Hex Hd 5/16-18 unc x 3/4
68	817 49 05-08	Screw 5/16-18 x 1/2	214	532 19 91-45	Clip Retainer
130	532 41 63-58	Screw #10 x .750 BOS Thread	217	532 40 91-67	Rod Pivot
137	532 40 75-90	Bumper Dash	218	532 19 63-95	Hood Stop
150	532 43 97-74	Duct Heat Hood	221	532 19 89-09	Reflector LH
151	532 43 66-70	Bracket Pivot Hood	228	532 19 51-61	Stud Fastener
152	532 43 98-70	Shield Browning/Debris	234	532 40 47-42	Bumper Hood
159	817 00 06-12	Screw 3/8-16 x 3/4	235	532 40 61-29	Spacer Fender
161	532 43 99-29	Console Fuel Window	236	873 93 05-00	Nut Center Lock 5/16-18 unc
162	532 14 24-32	Screw Hex Wsh Hi-Lo 1/4 x 1/2	289	532 40 35-71	Plug Cruise/Phone
165	532 19 68-26	Bracket Support Tank	297	532 43 74-56	Insert LH
175	532 19 63-04	Crossmember	335	532 44 82-04	Cover Dash RH
176	532 40 07-76	Screw 10-24 x 5/8	336	532 44 53-09	Cover Dash LH
177	532 19 52-27	Bushing Steering	350	532 44 51-43	Clip X-mas Tree
178	532 19 97-82	Cargo Asm. Net	--	532 40 09-44	Kit Bumper
180	532 19 54-77	Chassis			
182	532 40 68-59	Dash Lower			
183	874 52 05-20	Bolt 5/16-18 x 1-1/4			
189	817 00 05-12	Screw 5/16-18 x 3/4			
191	532 43 74-55	Insert RH			

**NOTE:** All component dimensions given in U.S. inches  
1 inch = 25.4 mm

# TRACTOR - MODEL NO. LGT24K54 (240472)

## DRIVE



drive-tex\_K46\_fender\_6\_r5



# TRACTOR - MODEL NO. LGT24K54 (240472)

## DRIVE

KEY NO.	PART NO.	DESCRIPTION	KEY NO.	PART NO.	DESCRIPTION
1	---	Transaxle, TUFFTORQ TTK46AW (448354) (See transaxle breakdown.)	166	532 42 91-64	Nut Push
2	532 18 62-11	Key	167	532 40 52-57	Latch Brake Parking
7	532 19 98-44	Hub Asm. Wheel Rear 22" TXGT .06	170	532 41 34-30	Keeper Belt Centerspan
9	532 14 00-80	Bolt Hub Wheel Rear	174	532 19 72-89	Nut Push
15	819 13 13-16	Washer 13/32 x 13/16 x 16 Ga.	175	532 40 62-08	Shaft Asm Shift
17	532 41 36-78	Spring Brake	176	532 19 62-14	Arm Clevis Rod Shift
22	532 19 73-29	Rod Shift	178	532 19 74-56	Spring Shift
23	532 14 08-45	Knob	183	532 40 04-24	Spacer Split
29	532 40 38-06	Rod, Brake	184	532 44 14-55	Handle Parking Brake
33	812 00 00-01	Ring E	185	872 11 06-22	Bolt Rdhd Sqnk 3/8-16 x 2-3/4 Gr. 5
35	532 43 54-86	Rod Brake Park	186	532 19 43-21	Spacer Retainer
42	532 12 48-72	Cover Foot Pedal	187	819 13 32-10	Washer
49	872 11 06-14	Bolt	188	532 19 43-23	Link Clutch Ground Drive
50	532 19 43-27	Pulley Idler Flat	189	532 19 43-17	Bellcrank Ground Drive
51	873 90 06-00	Lock Nut 3/8-16	190	532 19 43-18	Keeper Bellcrank Ground Drive
52	532 19 43-26	Idler V-Groove	196	817 00 06-16	Screw 3/8-16 x 1
56	532 13 09-69	V-Belt Drive	197	532 19 97-69	Link Clutch Anti-Rotation
64	532 19 62-00	Shaft Asm. Pedal Brake Control	205	532 12 17-48	Washer
70	532 43 96-60	Console Asm.	211	532 19 62-12	Bushing Brake Shaft
73	874 49 05-60	Bolt Hex Flghd 5/16-18 3.75	216	532 19 61-31	Bracket Pulley Idler
74	532 14 24-32	Screw 1/4 x 1/2	220	532 19 89-08	Reflector RH
80	532 44 06-19	Strap Torque	221	532 40 31-87	Retainer Spring Clip Handle
99	532 41 57-43	Rod Bypass	225	532 40 33-19	Keeper Belt Trans.
116	873 90 05-00	Nut Lock Hex Flange 5/16-18	226	532 40 08-31	Bracket Mount Torque
125	817 00 05-12	Screw 5/16-18 x 3/4	227	817 49 05-12	Screw 5/16-18 x 3/4
143	817 49 05-08	Screw 5/16-18 x 1/2	230	532 18 89-67	Washer Hardened
153	532 12 47-88	Retainer Spring	231	532 40 72-87	Idler V-Groove 1.688" Offset
159	876 02 04-12	Pin Cotter 1/8 x 3/4	233	532 40 52-96	Washer Serrated
160	532 16 94-84	Retainer Clip	276	874 78 07-16	Bolt 7/16-14 x 1 Gr. 5
161	532 10 57-09	Spring Return Clutch	279	532 40 62-07	Link Shift
162	532 19 57-85	Spacer Transaxle 18 and 22			

**NOTE:** All component dimensions given in U.S. inches  
1 inch = 25.4 mm



# TRACTOR - MODEL NO. LGT24K54 (240472)

## ENGINE

KEY NO.	PART NO.	DESCRIPTION
1	-----	Engine Kawa Model No. FR730V-DS04 (445363) (See engine breakdown.)
2	532 44 59-62	Muffler
9	532 19 43-20	Keeper Belt Engine
11	532 17 93-35	Clutch Electric
12	532 19 43-43	Pulley Engine
15	532 43 80-81	Tank Fuel 4.0
18	532 43 92-08	Cap Fuel
20	532 41 21-65	Control Throttle
21	532 41 63-58	Screw #10 x .750 BOS Thread
22	532 18 95-41	Control Choke
28	532 40 11-35	Fuel Line
29	532 13 71-80	Spark Arrester Kit
37	532 12 34-87	Clamp Hose
41	532 12 61-97	Washer 1-1/2 OD x 15/32 ID x .250
42	810 04 07-00	Washer Lock 7/16
45	873 51 04-00	Nut Keps Hex 1/4-20 unc
62	532 43 40-17	Shield Heat Muffler
69	532 17 81-51	Gasket
70	532 42 47-65	Tube Exhaust LH
71	532 42 47-66	Tube Exhaust RH
81	532 14 84-56	Tube Drain Oil Easy
86	532 18 43-62	Nut Hex Flange Toplock M8-1.25
85	532 17 99-53	Bolt Hex 7/16-20 x 3.75 Gr. 5
87	532 17 18-77	Bolt 5/16-18 unc x 1 w/Sems
90	817 00 06-16	Screw 3/8-16 x 1
91	532 18 74-95	Bushing
92	817 12 06-16	Screw 3/8-16 x 1

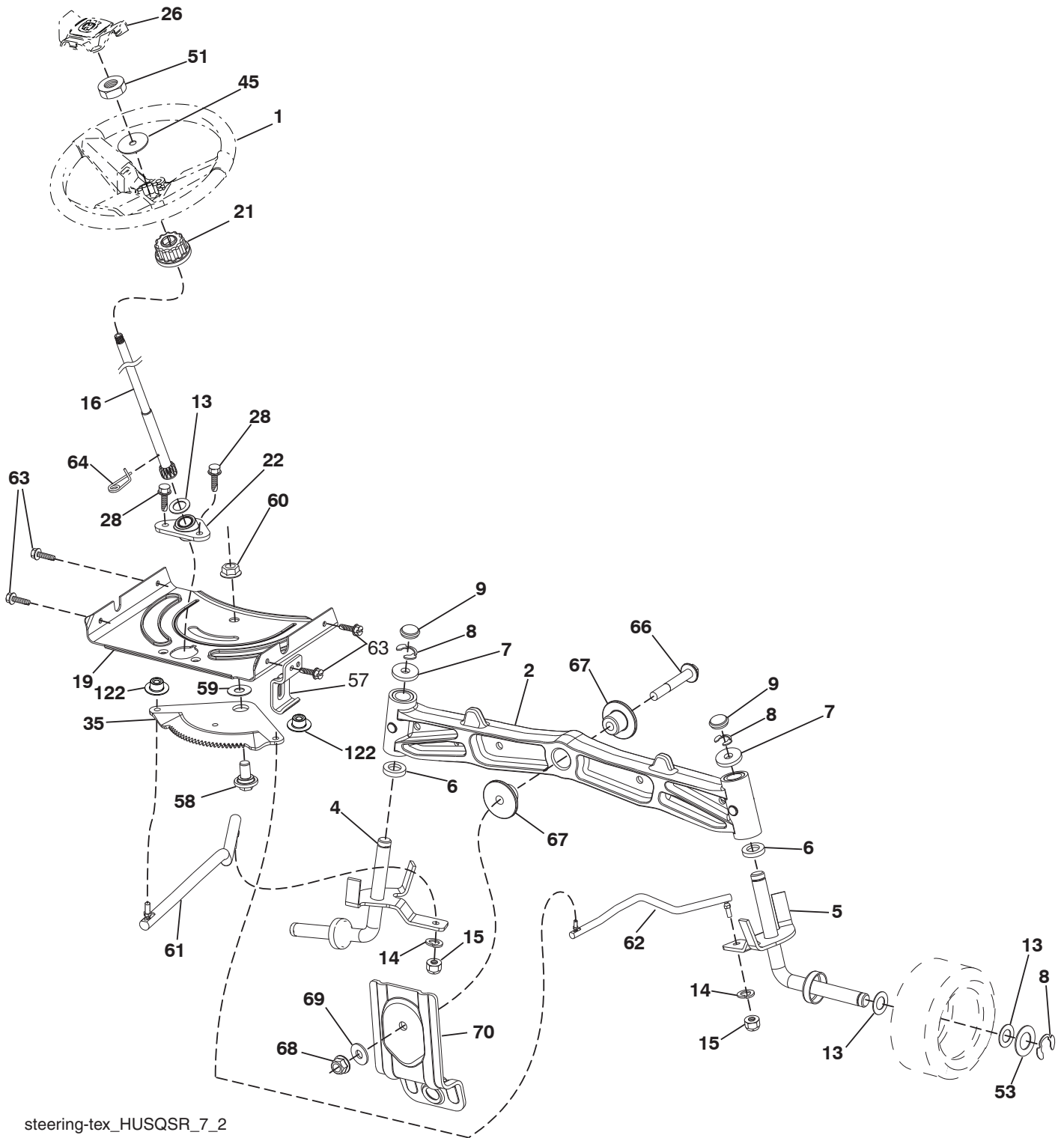
**NOTE:** All component dimensions given in U.S. inches  
1 inch = 25.4 mm

For engine service and replacement parts, call the toll free number for your engine manufacturer listed below:

Kawasaki                      1-949-460-5688

# TRACTOR - MODEL NO. LGT24K54 (240472)

## STEERING ASSEMBLY



steering-tex\_HUSQSR\_7\_2

# TRACTOR - MODEL NO. LGT24K54 (240472)

## STEERING ASSEMBLY

KEY NO.	PART NO.	DESCRIPTION
1	532 43 97-40	Wheel, Steering
2	532 19 59-68	Axle Asm., Front
4	532 40 30-89	Spindle Asm., LH
5	532 40 30-90	Spindle Asm., RH
6	532 12 49-31	Bearing, Race Thrust Harden
7	532 12 17-48	Washer 25/32 x 1-5/8 x 16 Ga.
8	812 00 00-29	Ring, Clip #T5304-75
9	532 12 12-32	Cap, Spindle
13	532 12 17-49	Washer 25/32 x 1-1/4 x 16 Ga.
14	810 04 06-00	Washer, Lock Hvy Hlcl Spr 3/8
15	873 54 06-00	Nut, Crown Lock 3/8-24 unf
16	532 40 82-19	Shaft Steering
19	532 19 47-29	Plate Steering
21	532 18 67-37	Adapter, Wheel Steering
22	532 42 05-37	Supt. Lower, Strg.
26	532 43 97-43	Insert, Wheel Steering
28	817 00 06-12	Screw 3/8-16 x 3/4
35	532 19 47-32	Gear, Sector Plate
45	819 18 38-12	Washer 9/16 x 2-3/8 x 12 Ga.
51	873 94 08-00	Nut Hex Jam Toplock 1/2-20 unf
53	532 18 89-67	Washer Hardened .793 x 1.637 x .060
57	532 19 72-46	Bracket Upstop
58	532 19 47-47	Bolt Shoulder Sector Pivot CFM
59	532 19 47-48	Washer Thrust Sector Steering
60	873 97 10-00	Nut Flange Lock 5/8-11
61	532 19 47-40	Draglink, LH
62	532 19 47-41	Draglink, RH
63	817 00 05-12	Screw 5/16-18 x 3/4
64	532 19 98-49	Retainer Clip Spring Steering
66	871 02 07-48	Bolt Hex Fghd 7/16-14 x 3 Serr
67	532 19 47-37	Bushing PM Front Axle
68	873 90 07-00	Nut Lock Flange 7/16-14 Gr. 5
69	532 19 91-62	Washer 1.5 x .505 x .118
70	532 19 61-97	Bracket Deck Susp. Front
122	532 44 49-62	Cap Gear Sector

**NOTE:** All component dimensions given in U.S. inches  
1 inch = 25.4 mm



## TRACTOR - MODEL NO. LGT24K54 (240472)

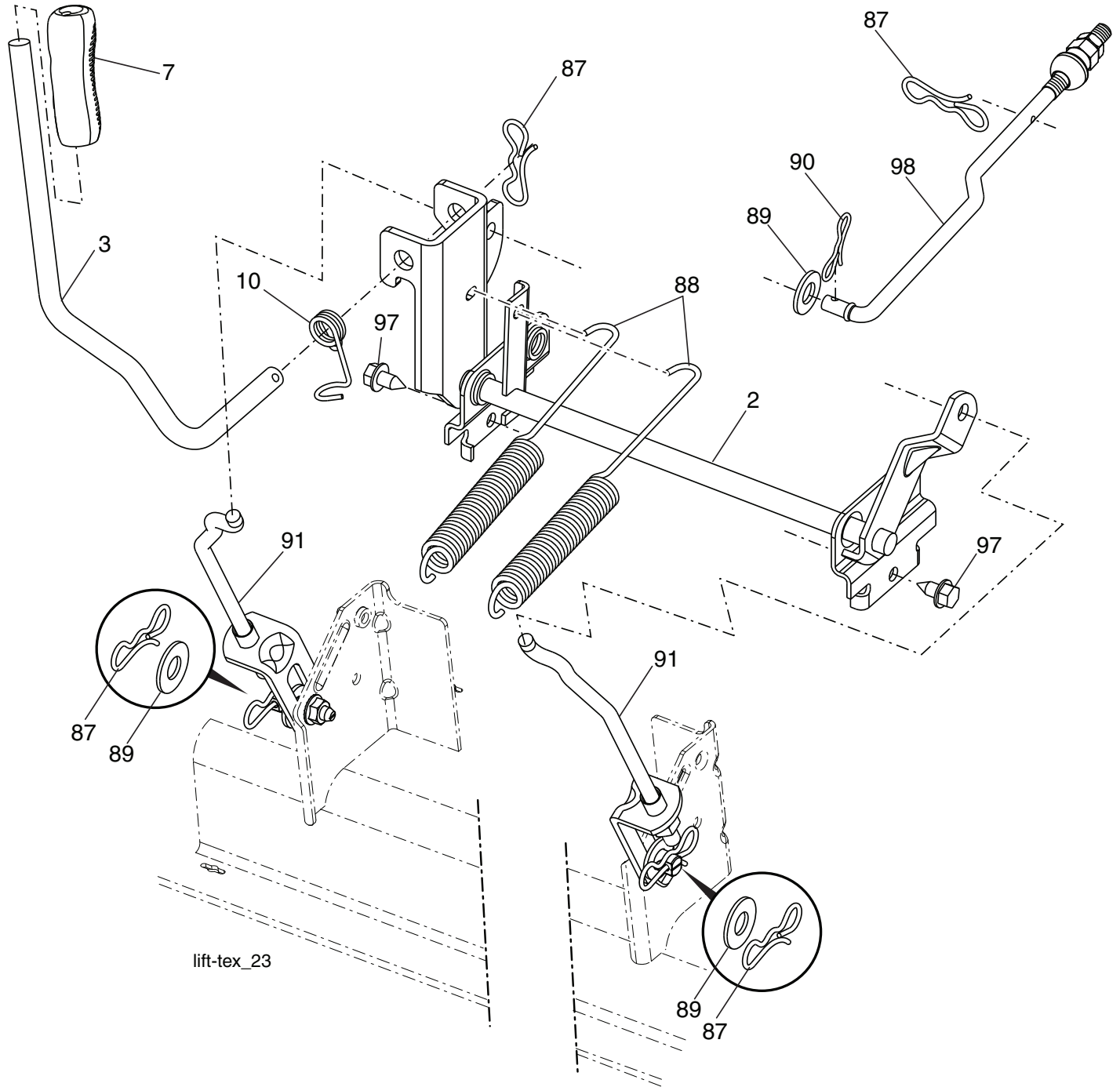
### MOWER DECK

KEY NO.	PART NO.	DESCRIPTION	KEY NO.	PART NO.	DESCRIPTION
1	532 44 15-47	Deck Weldment Mower	59	532 18 73-44	Baffle Left
6	532 19 60-66	Cover Mandrel LH	60	532 18 76-07	Baffle Center
7	532 19 71-81	Cover Mandrel RH	97	532 17 85-15	Washer Hardened
8	532 19 30-03	Bolt 7/16 Asm. Blade	98	532 19 61-05	Spring Drive
11	532 18 72-56	Blade Bagging	113	872 11 05-08	Bolt Rdhd Sqnk 5/16-18 x 3/4
12	532 40 48-51	Rod Anti Sway	114	532 18 75-56	Rod Tension Relief
13	532 18 72-91	Shaft Asm. w/Lower Bearing	116	532 19 34-06	Bolt, Shoulder
14	532 18 72-81	Housing, Mandrel	117	532 17 48-73	Gauge Wheel
16	819 13 13-12	Washer 3/8	120	819 13 20-12	Washer 13/32 x 1-1/4 x 12 Ga.
15	532 11 04-85	Bearing, Ball, Mandrel	122	532 18 75-57	Bushing Tension Relief
18	872 14 05-05	Bolt Carriage 5/16-18 x 5/8	184	873 90 05-00	Nut Lock Hex Flange
19	532 19 42-08	Pin Cotter 5/16 Bowtie	185	873 90 07-00	Nut Lock Flange 7/16-14 Gr. 5
21	873 68 05-00	Nut, Crownlock 5/16-18 unc	187	532 19 51-61	Stud Fastener w/"D" Anti-Rotation
24	532 10 53-04	Cap Sleeve	189	532 19 51-85	Arm Susp. Mower Rear
25	532 17 81-02	Spring, Torsion	190	532 19 65-39	Bolt Shoulder
26	532 11 04-52	Nut, Push	192	532 19 84-68	Keeper Belt Idler
27	532 18 89-38	Deflector Shield	194	874 49 07-36	Bolt Carr Sqnk 7/16-24 x 2
29	532 13 14-91	Rod, Hinge	196	872 14 06-20	Bolt Rdhd 3/8-16 x 2-1/2 Gr. 5
30	532 17 39-84	Screw, Thdroll Washer Head	241	532 15 29-27	Screw
31	532 18 76-90	Washer, Spacer Mower Vented	242	532 41 55-98	Washout Port
32	532 15 35-35	Pulley, Mandrel	--	532 41 64-05	Coupling, Quick Connect
33	532 40 02-34	Nut, Flg. Top Lock	--	532 18 72-92	Mandrel Assembly (Includes hous- ing (key# 14), shaft assembly (key# 13), and bearing(key#15) and nut (key#33) only - pulley/washer and blade bolt/washers not included)
34	873 98 06-00	Nut Crownlock 3/8-16 unc			
39	532 19 73-80	Pulley, Idler, Stationary LH			
43	532 19 60-65	Arm, Idler			
46	532 13 77-29	Screw, Thdroll. 1/4-20 x 5/8			
47	532 19 61-03	Belt Deck Drive	--	532 43 29-07	Replacement Mower, Complete
49	873 90 06-00	Nut, Lock Flg. 3/8-16 unc			
50	872 11 06-16	Bolt Rdhd Sqnk 3/8-16 unc x 2			
52	532 19 73-79	Pulley Idler			
58	532 18 73-42	Baffle Right			

**NOTE:** All component dimensions given in U.S. inches  
1 inch = 25.4 mm

# TRACTOR - MODEL NO. LGT24K54 (240472)

## MOWER LIFT



KEY NO.	PART NO.	DESCRIPTION
2	532 42 20-27	Shaft Asm., Lift
3	532 19 52-30	Lever Asm., Lift RH
7	580 96 23-01	Grip, Lever
10	532 19 63-14	Spring Torsion
87	532 19 42-09	Pin Cotter 7/16 Bow Tie Lock
88	532 19 53-04	Spring Lift Assist
89	819 19 19-12	Washer Clear Zinc

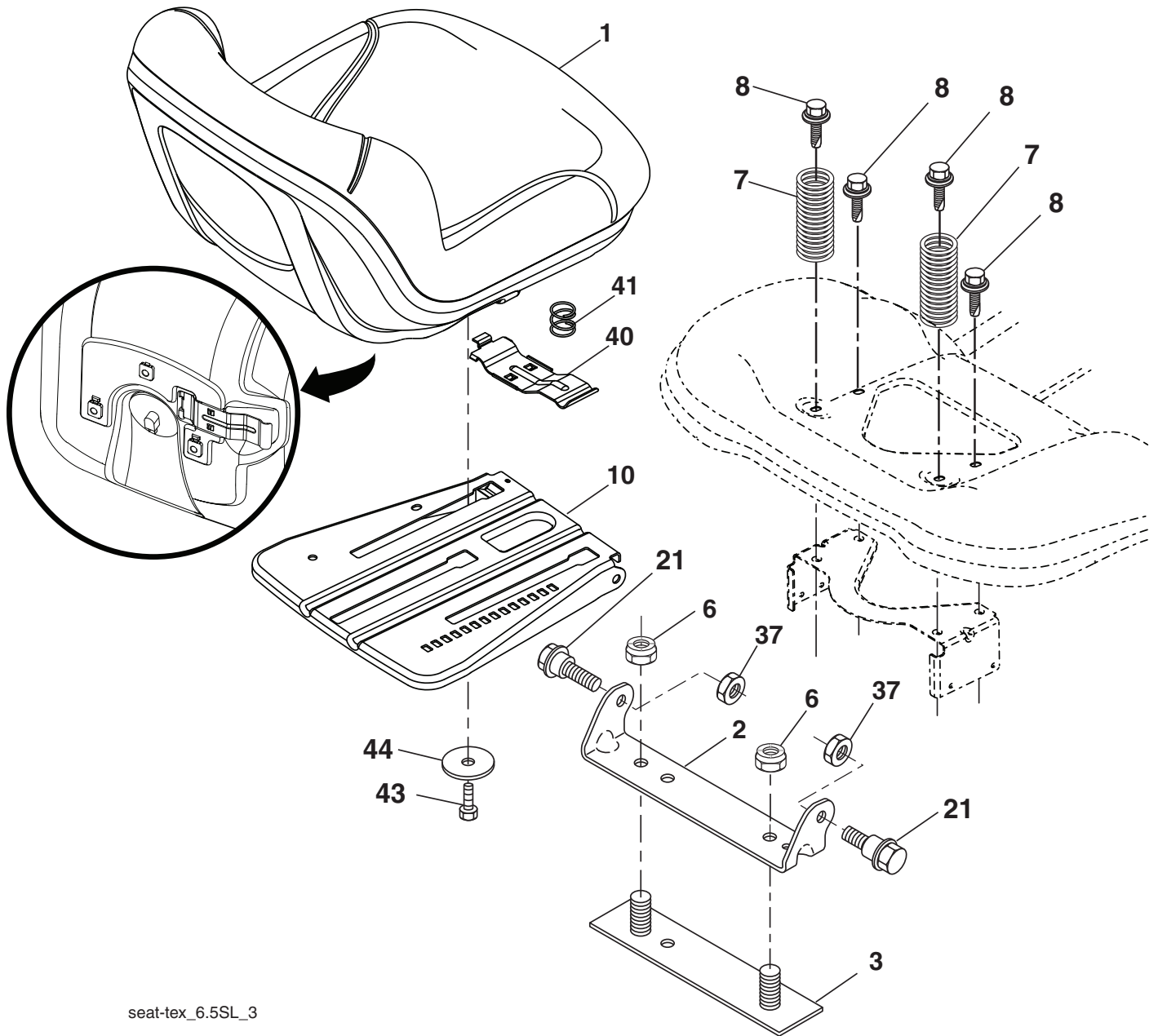
KEY NO.	PART NO.	DESCRIPTION
90	532 19 42-08	Pin Cotter 5/16 Bow Tie Lock
91	532 40 34-07	Link Lift Susp Mower Rear
97	817 00 06-12	Screw 3/8-16 x 3/4
98	532 19 52-64	Link Lift Susp. Front Mower

**NOTE:** All component dimensions given in U.S. inches  
1 inch = 25.4 mm



# TRACTOR - MODEL NO. LGT24K54 (240472)

## SEAT ASSEMBLY



seat-tex\_6.5SL\_3

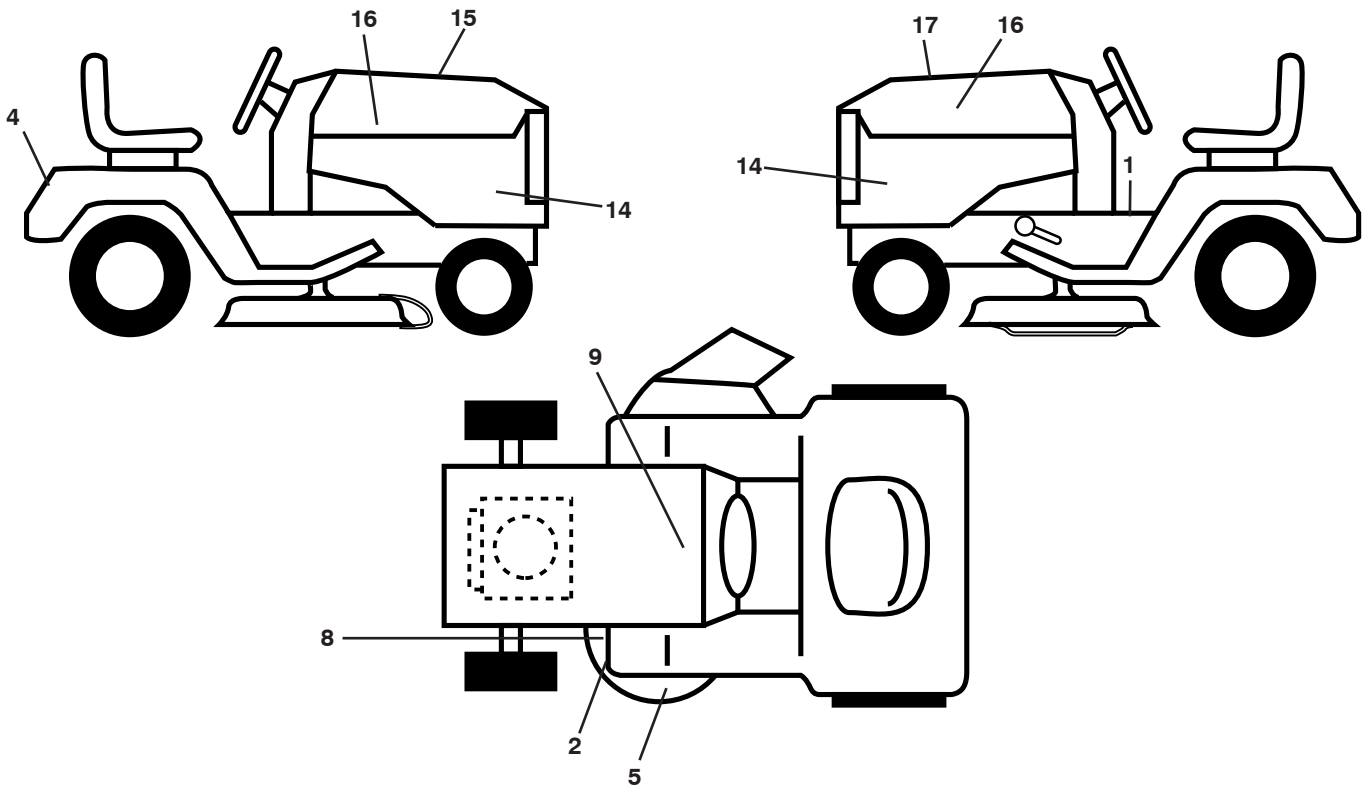
KEY NO.	PART NO.	DESCRIPTION
1	532 43 98-22	Seat
2	532 18 01-66	Bracket Pivot Fender
3	532 14 06-75	Strap, Asm Fender
6	873 80 06-00	Nut, Lock w/Ins. 3/8-16 unc
7	532 12 41-81	Spring, Seat Cprsn
8	532 17 18-77	Bolt 5/16-18 unc x 3/4 w/Sems
10	532 19 69-77	Pan, Seat
21	532 17 18-52	Bolt, Shoulder 5/16-18

KEY NO.	PART NO.	DESCRIPTION
37	873 80 05-00	Nut, Lock 5/16-18 unc
40	532 19 76-61	Handle Slide Seat
41	532 19 82-00	Spring Latch Seat
43	874 76 06-12	Bolt 3/8-16 x 3/4
44	819 13 38-12	Washer 13/32 x 2-3/8 x 12 Ga.

**NOTE:** All component dimensions given in U.S. inches  
1 inch = 25.4 mm

# TRACTOR - MODEL NO. LGT24K54 (240472)

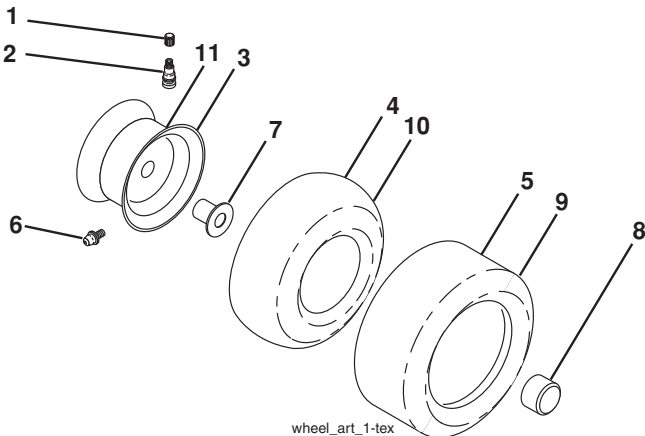
## DECALS



KEY NO.	PART NO.	DESCRIPTION
1	581 57 89-01	Decal, Warning
2	581 57 95-01	Decal, Mower
4	581 72 48-01	Decal, Fender
5	581 72 45-02	Decal, Caution
8	581 58 00-02	Decal, Mower Sch.
9	532 14 50-05	Decal, Battery Dnge/Poi
14	532 44 04-24	Decal, Panel Side
15	532 42 38-29	Decal, Warning Customer Resp.

KEY NO.	PART NO.	DESCRIPTION
16	581 62 73-01	Decal, Hood Logo
17	532 44 14-54	Decal, Replacement
--	532 43 98-82	Pad, Footrest, LH
--	532 44 15-42	Pad, Footrest, RH
--	115 55 22-27	Manual, Operator's (English/Spanish)
--	581 89 77-27	Manual, Parts (English/Spanish)

## WHEELS AND TIRES



1	532 05 91-92	Cap, Valve, Tire
2	532 06 51-39	Stem, Valve
3	532 18 18-39	Rim Assembly, Front
4	532 00 81-34	Tube, Front (Service Item Only)
5	532 10 62-30	Tire, Front
6	532 12 49-57	Fitting, Grease (Front Wheel Only)
7	532 12 49-59	Bearing, Flange (Front Wheel Only)
8	532 17 50-39	Cap, Axle
9	532 18 47-08	Tire, Rear
10	532 00 71-54	Tube, Rear (Service Item Only)
11	532 40 17-82	Rim Assembly, Rear
--	532 14 43-34	Sealant, Tire (10 oz. Tube)

**NOTE:** All component dimensions given in U.S. inches  
1 inch = 25.4 mm

---

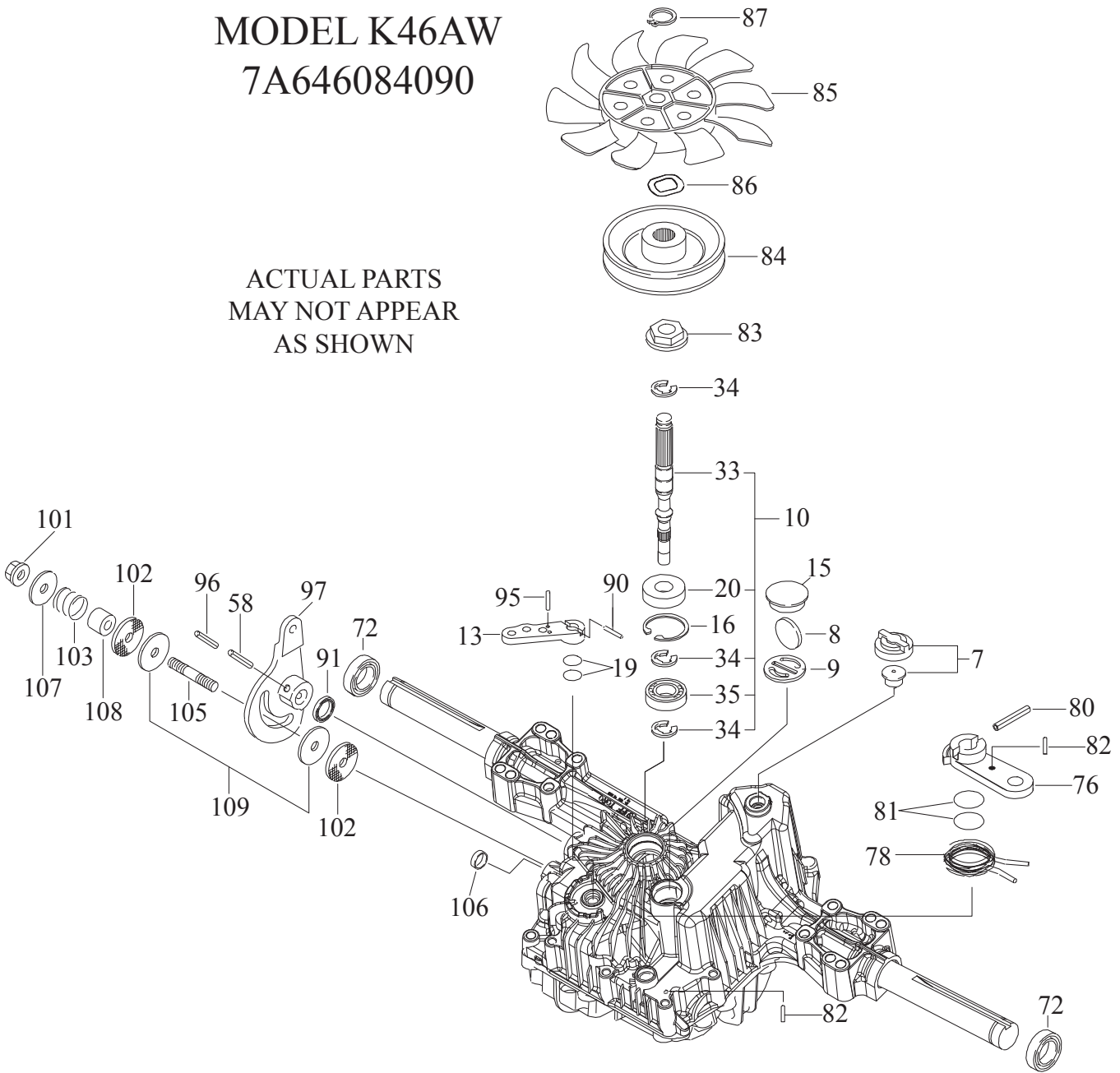
# SERVICE NOTES

---

**TRACTOR - MODEL NO. LGT24K54 (240472)**  
**TUFFTORQ TRANSAXLE - MODEL NO. TTK46AW**

**MODEL K46AW**  
**7A646084090**

ACTUAL PARTS  
MAY NOT APPEAR  
AS SHOWN



**TRACTOR - MODEL NO. LGT24K54 (240472)  
TUFFTORQ TRANSAXLE - MODEL NO. TTK46AW**

<b>KEY NO.</b>	<b>PART NO.</b>	<b>DESCRIPTION</b>
7	414395	VENT VALVE 15
8	414396	MAGNET
9	414397	MAGNET HOLDER
10	415923	PUMP SHAFT/BEARING KIT
13	414398	BYPASS LEVER
15	414399	SEALING CAP 30
16	414400	SNAP RING C 35
19	414401	O-RING 1A P10A
20	414402	SEAL TC 153507
33	414403	PUMP SHAFT (STANDARD
34	414404	E-RING 15
35	414405	BEARING 6202C3
58	414406	ROLL PIN 6 * 40
72	414407	SEAL 19 * 32 * 8
76	414408	BRAKE LEVER
78	414409	BRAKE RETURN SPRING
80	414410	SPRING PIN 5 * 32
81	414411	O-RING 1A P12
82	414412	SPRING PIN 4 * 16
83	414413	SPINE COLLAR
84	414414	PULLEY L
85	414415	FAN, BLACK
86	414416	WAVE WASHER
87	414417	SNAP RING
90	414418	SPRING PIN 3.0A * 20
91	414419	OIL SEAL 16 * 22 * 03
95	415850	SPRING PIN 3.0A * 16
96	414420	ROLL PIN 3.5 * 40
97	414421	CONTROL LEVER
101	414216	LOCK NUT 10
102	414423	WASHER 10 * 40 * 4
103	414424	SPRING
105	414425	STUD 10 * 60
106	414426	SEALING CAP 18
107	414427	WASHER 10 * 36 * 2.8
108	414428	COLLAR 10 * 20 * 17
109	414429	FRICTION PLATE KIT



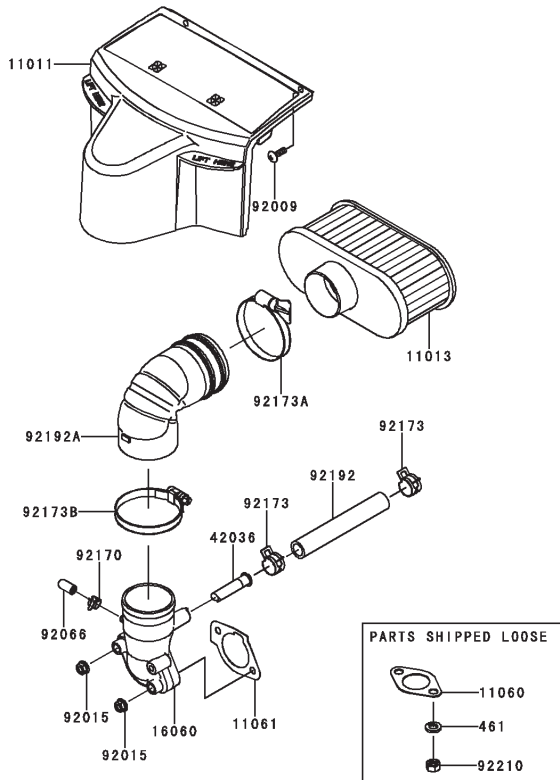


# TRACTOR - MODEL NO. LGT24K54 (240472)

KAWA ENGINE-MODEL NO. FR730V-DS04

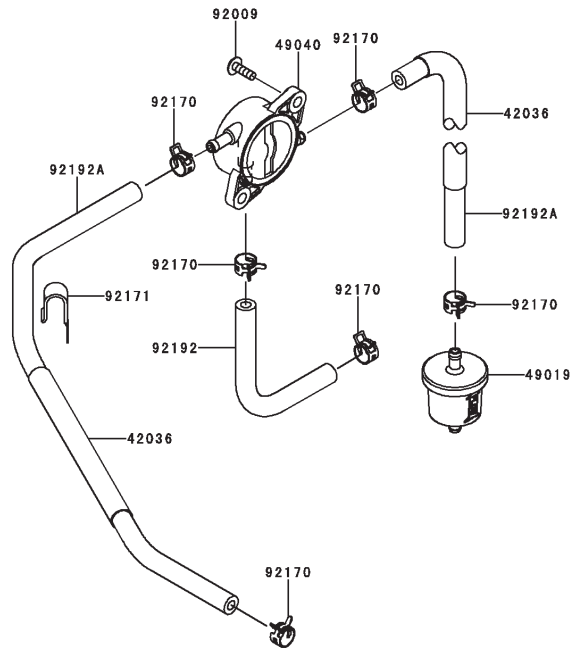
## AIR-FILTER/MUFFLER

E0190-B282A



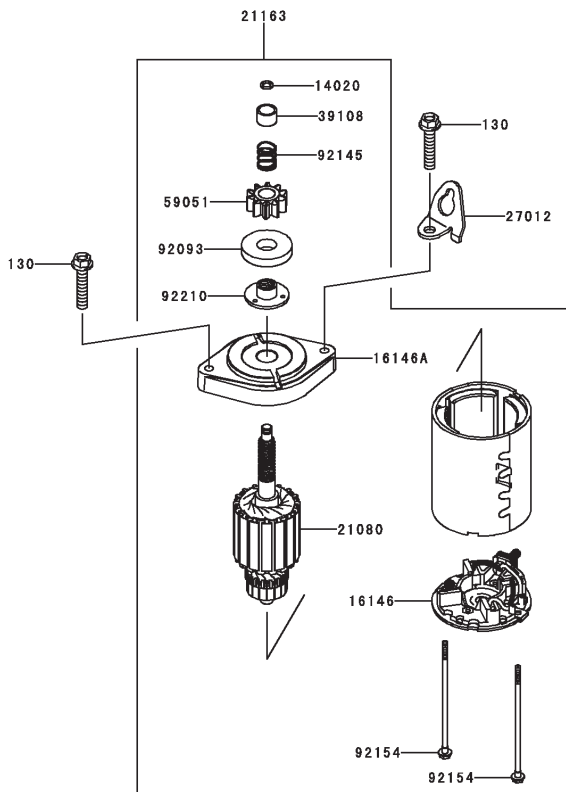
## FUEL-TANK/FUEL-VALVE

E0200-A694F



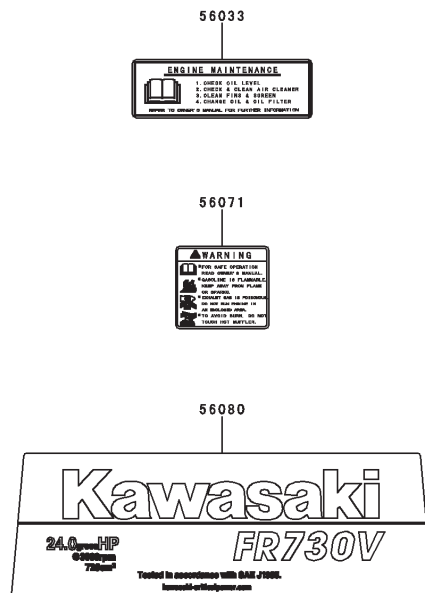
## STARTER

E0210-A557A



## LABEL

F0290-B728A





# TRACTOR - MODEL NO. LGT24K54 (240472)

## KAWA ENGINE-MODEL NO. FR730V-DS04

### CYLINDER/CRANKCASE

11004	11004-7026	GASKET-HEAD	12005	12005-7009	VALVE-EXHAUST
11008	11008-7039	HEAD-COMP-CYLINDER,#1	12009	12009-7001	RETAINER-VALVE SPRING
11008A	11008-7040	HEAD-COMP-CYLINDER,#2	12011	12011-2056	COLLET
11022	11022-0710	CASE-ROCKER,#1	12016	12016-2066	ARM-ROCKER
11022A	11022-0711	CASE-ROCKER,#2	12032	12032-7001	TAPPET
11061	11061-7083	GASKET,CASE-ROCKER	13070	13070-7017	GUIDE,GOVERNOR
11061A	11061-7094	GASKET,BREATHER	13116	13116-7007	ROD-PUSH
13272	13272-7004	PLATE,BREATHER	13271	13271-7007	PLATE
14091	14091-7064	COVER,BREATHER	13271A	13271-7021	PLATE,GOVERNOR
16126	16126-7020	VALVE,BREATHER	42036	42036-7021	SLEEVE
32154	32154-7019	PIPE	49078	49078-7002	SPRING-ENGINE
32155	32155-7003	PIPE,BREATHER			VALVE,IN
49015	49015-7106	COVER-CRANKCASE	49118	49118-7022	CAMSHAFT-COMP
49120	49120-0733	CRANKCASE-COMP	92033	92033-7001	RING-SNAP
59071	59071-7025	JOINT	92140	92140-7005	BALL
92043	92043-1263	PIN	92145	92145-7001	SPRING
92049	92049-7001	SEAL-OIL,RVC2 6X11X10.2	92152	92152-7022	COLLAR
92049A	92049-7005	SEAL-OIL,SO 8X14X5 HS	92153	92153-7100	BOLT,6X29.5
92049B	92049-7010	SEAL-OIL,SD 35X48X8 R HS	92200	92200-2151	WASHER,8.1X18X0.5
92049C	92049-7028	SEAL-OIL,38X62X8MTCLV	92200A	92200-7009	WASHER,16X42X0.91
92066	92066-7023	PLUG	92200B	92200-7048	WASHER,16.3X30X2.28
92066A	92066-7026	PLUG	130	130AA0814	BOLT-FLANGED,8X14
92104	92104-7001	GASKET-LIQUID,TB1217H	312	312AA0600	NUT-HEX,6MM
92153	92153-7043	BOLT,6X12	<b>LUBRICATION-EQUIPMENT</b>		
92153A	92153-7054	BOLT,8X50	13272	13272-7011	PLATE,ROTOR
130	130AA0625	BOLT-FLANGED,6X25	14075	14075-7013	CAP-ASSY,OIL GAUGE
130A	130CA1050	BOLT-FLANGED,10X50	16154	16154-7010	ROTOR-PUMP,OUTER
130B	130CA1065	BOLT-FLANGED,10X65	16154A	16154-7011	ROTOR-PUMP,INNER
172	172BA0818	BOLT-STUD,8X18	49065	49065-7006	FILTER-OIL
214	214AA0408	SCREW-PAN+-,4X8	49065A	49065-7007	FILTER-OIL
670	670B2011	O-RING,11MM	49116	49116-7001	VALVE-ASSY
			59071	59071-7008	JOINT
			59231	59231-7016	FILLER
			92055	92055-7002	RING-O,6MM
			92066	92066-7007	PLUG
			92140	92140-7003	BALL
			92145	92145-7002	SPRING
			92153	92153-7008	BOLT
			92153A	92153-7043	BOLT,6X12
			92210	92210-7012	NUT,M22
			555	555A0420	PIN-SPRING,4X20
			670	670D2016	O-RING,16MM

### AIR-FILTER/MUFFLER

11011	11011-7065	CASE-AIR FILTER
11013	11013-7049	ELEMENT-AIR FILTER
11060	11060-7016	GASKET,MUFFLER
11061	11061-7086	GASKET,CARBURETOR/
		PIPE-INTAKE
16060	16060-7038	PIPE-INTAKE
42036	42036-7022	SLEEVE,BREATHER
92009	92009-2303	SCREW
92015	92015-1367	NUT
92066	92066-0095	PLUG
92170	92170-2042	CLAMP
92173	92173-7003	CLAMP
92173A	92173-7007	CLAMP
92173B	92173-7010	CLAMP
92192	92192-7146	TUBE,12.6X18.6X118
92192A	92192-7165	TUBE
92210	92210-7027	NUT,M8
461	461DA0800	WASHER-SPRING,8MM

### LABEL

56033	56033-7001	LABEL-MANUAL
56071	56071-0216	LABEL-WARNING
56080	56080-0814	LABEL-BRAND

### VALVE/CAMSHAFT

11055	11055-7009	BRACKET
12004	12004-7008	VALVE-INTAKE

### STARTER

14020	14020-7002	RETAINER
16146	16146-7027	COVER-ASSY
16146A	16146-7030	COVER-ASSY
21080	21080-0003	ARMATURE
21163	21163-0714	STARTER-ELECTRIC
27012	27012-7008	HOOK
39108	39108-0552	RETAINER-SPRING
59051	59051-7034	GEAR-SPUR
92093	92093-7007	SEAL
92145	92145-7060	SPRING
92154	92154-7001	BOLT
92210	92210-7017	NUT
130	130AA0840	BOLT-FLANGED,8X40

# TRACTOR - MODEL NO. LGT24K54 (240472)

## KAWA ENGINE-MODEL NO. FR730V-DS04

### ELECTRIC-EQUIPMENT

13272	13272-7012	PLATE
21066	21066-7017	REGULATOR-VOLTAGE
21171	21171-0711	COIL-ASSY-IGNITION
21193	21193-7038	FLYWHEEL-ASSY
26011	26011-7025	WIRE-LEAD,L=95
26030	26030-7008	HARNESS
26031	26031-7040	HARNESS
26031A	26031-7041	HARNESS
59031	59031-7017	COIL-CHARGING
92009	92009-2303	SCREW
92009A	92009-2308	SCREW
92066	92066-7026	PLUG
92070	92070-7004	PLUG-SPARK, BPR4ES (NGK), SOLID
92072	92072-7003	BAND
92154	92154-7003	BOLT,12X30
92171	92171-7008	CLAMP
92172	92172-7018	SCREW,5X20
92200	92200-7002	WASHER
130	130AA0620	BOLT-FLANGED,6X20
510	510A5100	KEY-WOODRUFF

### CONTROL-EQUIPMENT

13271	13271-7038	PLATE
16171	16171-7022	LINK
39129	39129-7035	SPRING-GOVERNOR
49103	49103-7014	ARM-GOVERNOR
49103A	49103-7015	ARM-GOVERNOR
49113	49113-0728	PANEL-COMP-CONTROL
92145	92145-7057	SPRING
92145A	92145-7058	SPRING
92153	92153-0009	BOLT,6X12
92153A	92153-7001	BOLT,SOCKET,5X16
92153B	92153-7033	BOLT,6X35
92153C	92153-7043	BOLT,6X12
92170	92170-7001	CLAMP
92172	92172-0754	SCREW,5X35
92172A	92172-0792	SCREW,5X35
214	214AA0408	SCREW-PAN+-,4X8
311	311AA0600	NUT-HEX,6MM
312	312AA0500	NUT-HEX,5MM
411	411AA0600	WASHER-PLAIN,6MM

### COOLING-EQUIPMENT

13070	13070-7019	GUIDE,COOLING AIR
13272	13272-7006	PLATE,FAN
14037	14037-7008-9H	SCREEN
23062	23062-7022	BRACKET-COMP
49089	49089-7079	SHROUD-ENGINE
49089A	49089-7080	SHROUD-ENGINE
59041	59041-7014	FAN
59066	59066-7052	HOUSING-FAN
92009	92009-2303	SCREW
92026	92026-7007	SPACER
92151	92151-7012	BOLT,6X12
92153	92153-7007	BOLT
92153A	92153-7043	BOLT,6X12

### CARBURETOR

11061	11061-7009	GASKET,CHAMBER
11061A	11061-7010	GASKET,SCREW
11061B	11061-7087	GASKET,INSULATOR
11061C	11061-7088	GASKET,INSULATOR/ MANIFOLD
11061D	11061-7093	GASKET,MANIFOLD
13107	13107-7018	SHAFT
15004	15004-7052	CARBURETOR-ASSY
16014	16014-7010	SCREW-PILOT AIR
16020	16020-7003	CHAMBER-FLOAT
16025	16025-7017	VALVE-THROTTLE
16030	16030-7003	VALVE-FLOAT
16031	16031-7002	FLOAT
16041	16041-7050	SHAFT- CARBURETOR,CHOKE
16041A	16041-7056	SHAFT-CARBURETOR, THROTTLE
16073	16073-7013	INSULATOR
16186	16186-7006	VALVE-ASSY-CHOKE
21188	21188-7002	SOLENOID
49121	49121-7018	NOZZLE-MAIN
59076	59076-7019	MANIFOLD-INTAKE
92009	92009-2083	SCREW
92009A	92009-2349	SCREW
92063	92063-7141	JET-MAIN,#122,3280FT
92063A	92063-7142	JET-MAIN,#124
92063B	92063-7149	JET-MAIN,#120,6560FT
92066	92066-7032	PLUG
92081	92081-2234	SPRING
92093	92093-2100	SEAL
92093A	92093-7003	SEAL
92145	92145-2122	SPRING
130	130AA0630	BOLT-FLANGED,6X30
172	172BA06115	BOLT-STUD,6X115

### FUEL-TANK/FUEL-VALVE

42036	42036-7015	SLEEVE
49019	49019-0707	FILTER-FUEL
49040	49040-7008	PUMP-FUEL
92009	92009-2303	SCREW
92170	92170-2009	CLAMP
92171	92171-7008	CLAMP
92192	92192-7148	TUBE,6.4X12.7X150
92192A	92192-7188	TUBE,6.35X12.7X390

### PISTON/CRANKSHAFT

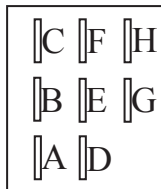
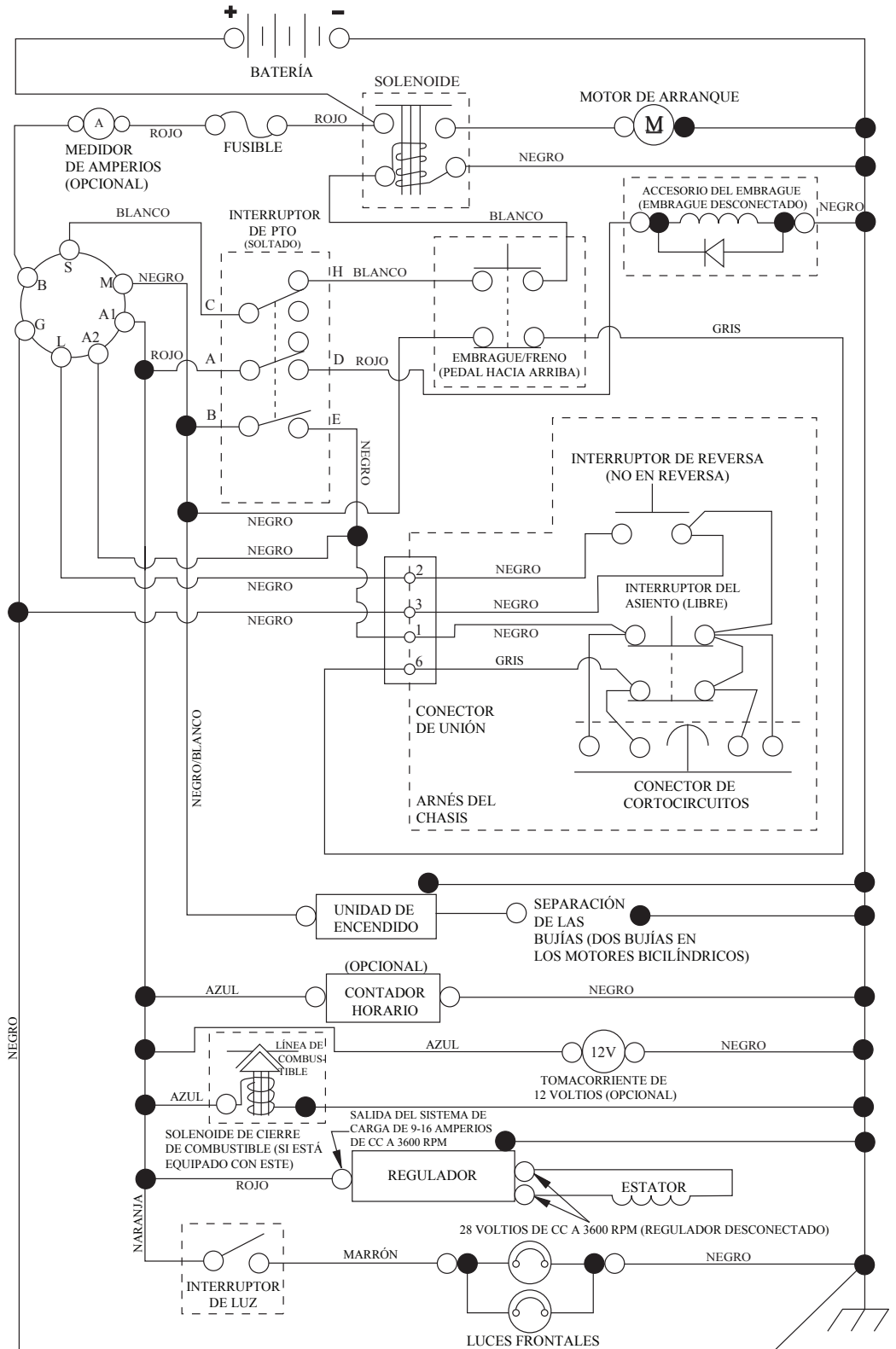
13001	13001-7027	PISTON-ENGINE
13002	13002-0704	PIN-PISTON
13008	13008-7005	RING-SET-PISTON
13025	13025-7009	RING-SET-PISTON L,0.5
13029	13029-7010	PISTON-ENGINE L,0.5
13031	13031-7084	CRANKSHAFT-COMP
13251	13251-7025	ROD-ASSY-CONNECTING
92033	92033-7018	RING-SNAP
92151	92151-7017	BOLT,6X35

**NOTE:** All component dimensions given in U.S. inches  
1 inch = 25.4 mm

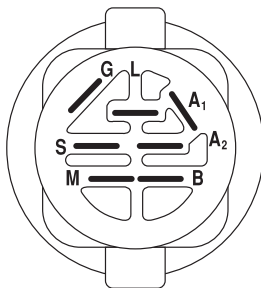
# TRACTOR - MODELO NO. LGT24K54 (240472)

## DIAGRAMA

SCH12-s

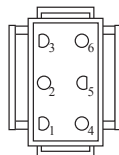


INTERRUPTOR DE PTO (CARA DE ACOPLAMIENTO)

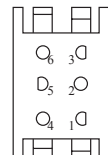


INTERRUPTOR DE ENCENDIDO

POSICIÓN	CIRCUITO «MARCA»
APAGADO	M+G+A1
PONER EN FUNCIONAMIENTO/ANULAR	B+A1
PONER EN FUNCIONAMIENTO	B+A1 L+A2
ARRANCAR	B + S + A1



CONEXIÓN DEL ARNÉS DEL CHASIS (LATERAL QUE COINCIDA)



CONEXIÓN PARA EL ARNÉS DEL TABLERO

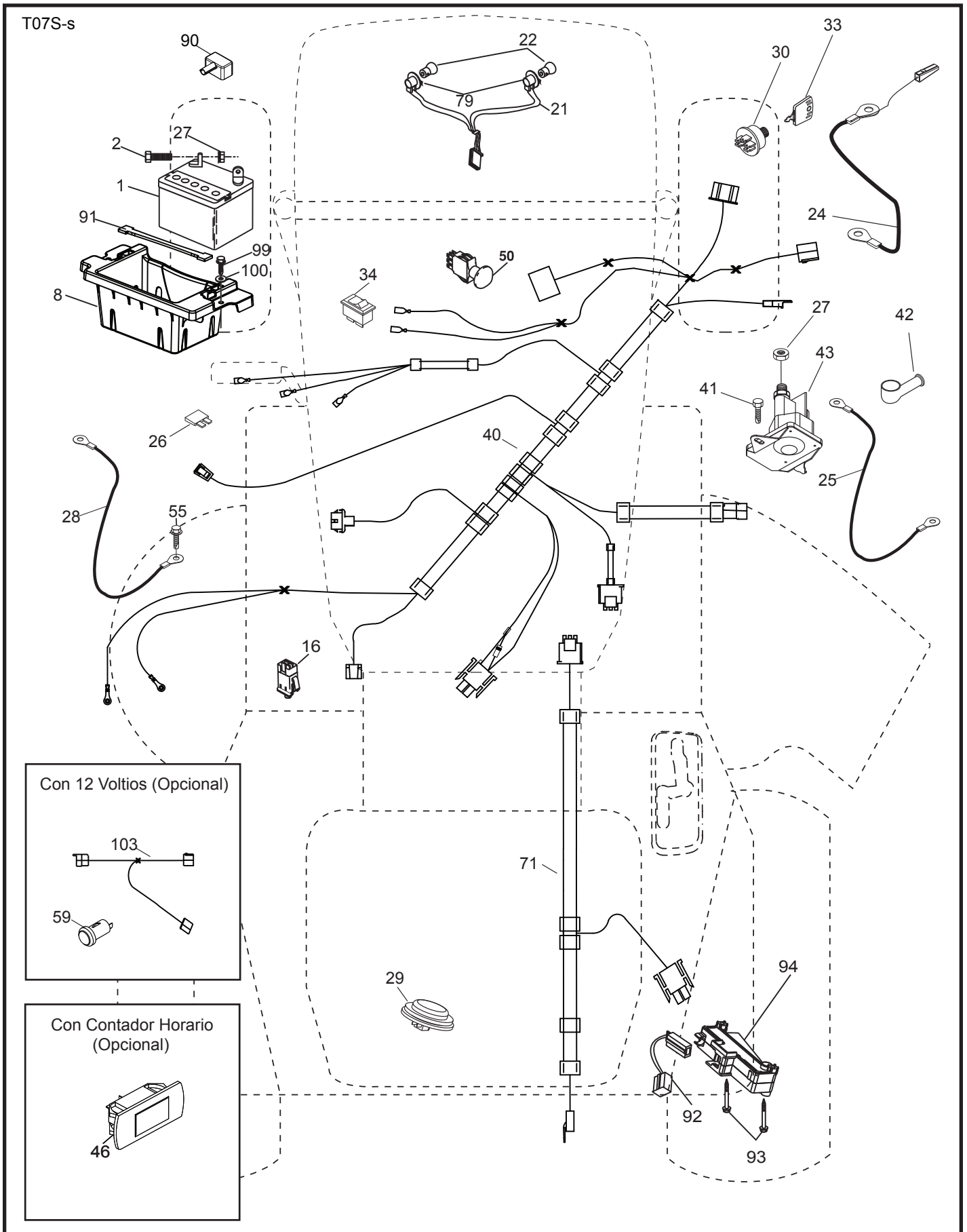
NOTA SOBRE LAS ABRAZADERAS DE AISLAMIENTO DEL CABLEADO: SI SE QUITAN LAS ABRAZADERAS DE AISLAMIENTO DEL CABLEADO PARA HACER EL MANTENIMIENTO DE LA UNIDAD, SE LAS DEBERÁ INSTALAR NUEVAMENTE PARA PROTEGER EL CABLEADO ADECUADAMENTE.

● CONEXIONES NO DESMONTABLES

○ CONEXIONES DESMONTABLES

# TRACTOR - MODELO NO. LGT24K54 (240472)

## DIAGRAMA ELÉCTRICO



# TRACTOR - MODELO NO. LGT24K54 (240472)

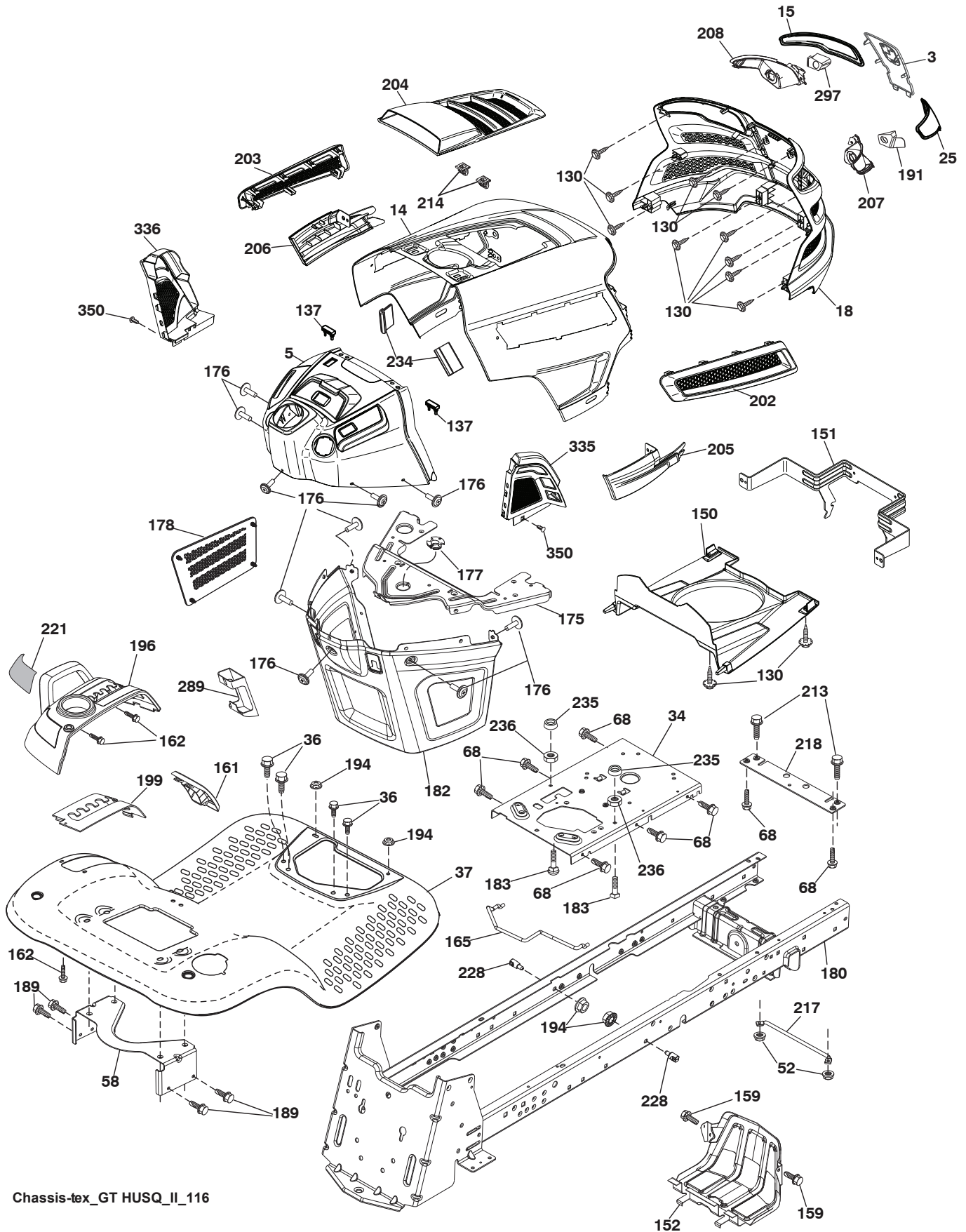
## DIAGRAMA ELÉCTRICO

CÓDIGO NO.	PIEZA NO.	DESCRIPCIÓN
1	532 16 34-65	Batería
2	874 76 04-12	Perno de cabeza hexagonal de 1/4-20 x 3/4
8	532 18 64-91	Caja de la batería
16	532 17 61-38	Interruptor corta corriente a presión
21	532 40 02-52	Cableado del enchufe para la luz
22	532 00 41-52	Bombilla de luz
24	532 40 02-53	Cable
25	532 41 28-95	Cable
26	532 17 51-58	Fusible
27	873 51 04-00	Tuerca hexagonal Keps de 1/4-20 unc
28	532 14 54-91	Cable a tierra
29	532 40 15-45	Interruptor del asiento
30	532 19 33-50	Interruptor de encendido
33	532 41 19-33	Llave/cadena
34	532 11 07-12	Interruptor de luz/de restauración
40	532 40 11-04	Cableado del tablero de encendido
41	817 72 04-08	Tornillo
42	532 13 15-63	Cubierta de la terminal
43	532 19 25-07	Solenoides
46	532 40 17-63	Indicador SRVCMNDR HRMTR
50	532 17 46-51	Interruptor
55	817 06 05-12	Tornillo de 5/16-18 x 3/4
59	532 40 03-03	Enchufe, 12V
71	532 19 42-76	Cableado de encendido
79	532 17 52-42	Enchufe de cierre por torsión del ensamble de la bombilla
90	532 43 53-95	Tapa de los bornes de la batería
91	532 19 02-70	Correa de la batería
92	532 19 66-15	Cableado de interruptor retroceder
93	532 19 25-40	Tornillo 10-14 x 2.00
94	532 19 18-34	Módulo retroceder ROS
99	817 67 04-12	Tornillo 1/4-20 x 3/4
100	819 09 14-16	Arandela
103	532 40 79-62	Cable 12V

**NOTA:** Las dimensiones de todos los componentes están expresadas en pulgadas americanas.  
1 pulgada = 25,4 mm

# TRACTOR - MODELO NO. LGT24K54 (240472)

## CHASIS



Chassis-tex\_GT HUSQ\_II\_116



## TRACTOR - MODELO NO. LGT24K54 (240472)

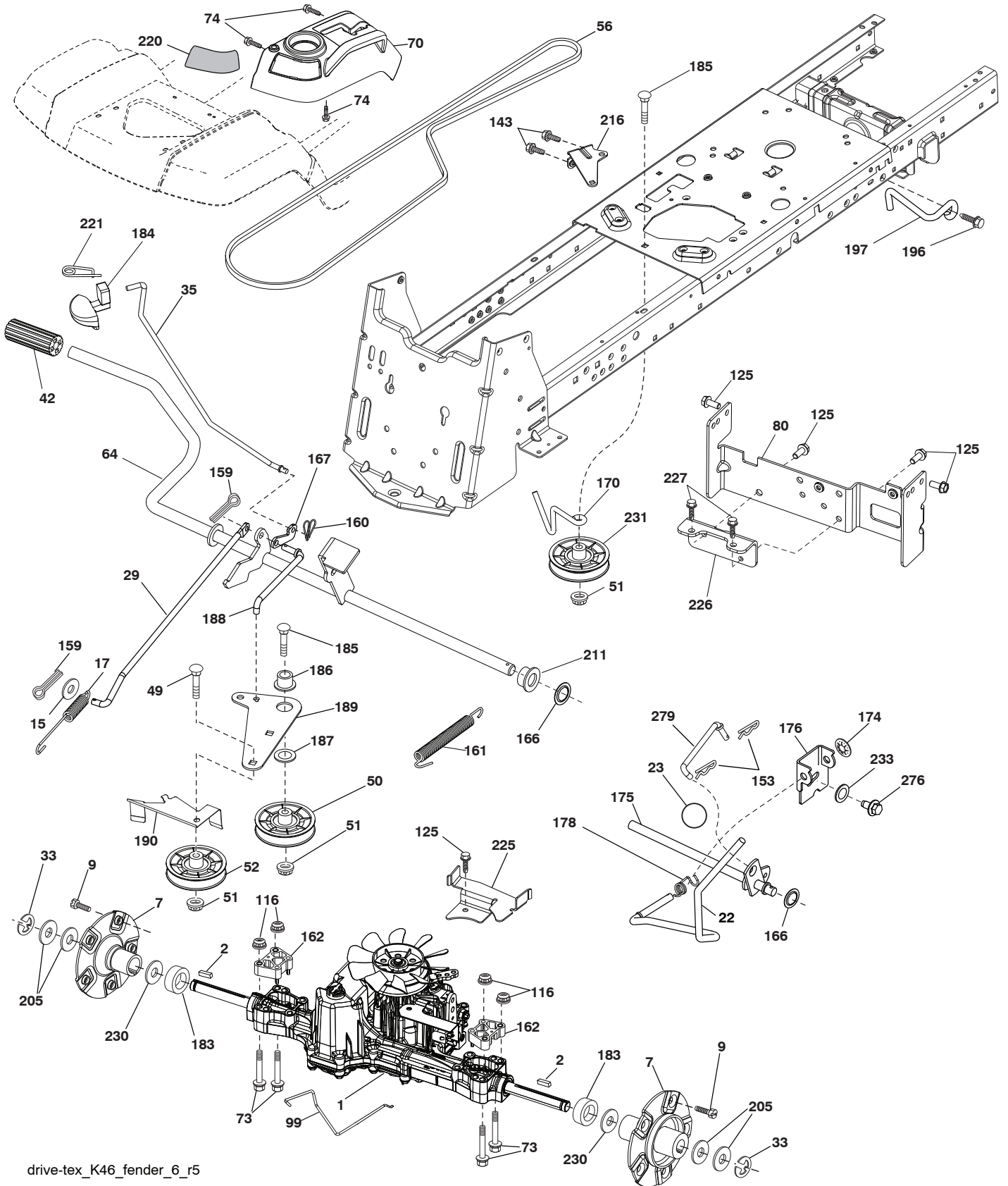
### CHASIS

CÓDIGO NO.	PIEZA NO.	DESCRIPCIÓN	CÓDIGO NO.	PIEZA NO.	DESCRIPCIÓN
3	532 44 44-81	Aplica	196	532 43 97-16	Ensamble de la consola de la plataforma de elevación
5	532 43 74-80	Tablero	199	532 19 82-59	Chapa
14	532 44 11-77	Capota	202	532 43 97-28	Salida de Ventilación (LD)
15	532 43 97-33	Lente izquierdo de la parrilla	203	532 43 97-27	Salida de Ventilación (LI)
18	532 43 77-62	Parrilla	204	532 44 44-84	Salida de Ventilación superior
25	532 44 33-85	Lente derecho de la parrilla	205	532 43 97-30	Camisa de Capota (LD)
34	580 91 08-01	Chapa Motor	206	532 43 97-29	Camisa de Capota (LI)
36	817 06 05-12	Tornillo de 5/16-18 x 3/4	207	532 43 97-34	Bisel derecho
37	532 44 12-08	Guardabarros	208	532 43 97-35	Bisel izquierdo
52	873 68 05-00	Tuerca de presión 5/16-18	213	874 76 05-12	Perno
58	532 19 43-14	Soporte de Guardabarros	214	532 19 91-45	Cierre
68	817 49 05-08	Tornillo de 5/16-18 x 1/2	217	532 40 91-67	Varilla giratoria
130	532 41 63-58	Tornillo No. 10 x 0,75	218	532 19 63-95	Tope
137	532 40 75-90	Cubierta Tablero	221	532 19 89-09	Reflector (LI)
150	532 43 97-74	Cubierta térmica del conducto	228	532 19 51-61	Sujetador del travesaño
151	532 43 66-70	Soporte	234	532 40 47-42	Cubierta capota
152	532 43 98-70	Protector contra oscurecimiento	235	532 40 61-29	Separador del guardabarros
159	817 00 06-12	Tornillo 3/8-16 x 3/4	236	873 93 05-00	Tuerca de presión 5/16-18 unc
161	532 43 99-29	Ventanilla de combustible	289	532 40 35-71	Conector del crucero/teléfono
162	532 14 24-32	Tornillo	297	532 43 74-56	Parrilla (LI)
165	532 19 68-26	Soporte de Tanque de Gasolina	335	532 44 82-04	Cubierta (LD)
175	532 19 63-04	Travesaño	336	532 44 53-09	Cubierta (LI)
176	532 40 07-76	Tornillo de 10-24 x 5/8	350	532 44 51-43	Clip del árbol de navidad
177	532 19 52-27	Buje de dirección	- -	532 40 09-44	Parachoques
178	532 19 97-82	Carga la asamblea neta			
180	532 19 54-77	Chasis			
182	532 40 68-59	Tablero inferior			
183	874 20 05-20	Perno 5/16-18 x 1-1/4			
189	817 00 05-12	Tornillo			
191	532 43 74-55	Parrilla (LD)			
194	873 90 05-00	Tuerca de presión de 5/16-18			

**NOTA:** Las dimensiones de todos los componentes están expresadas en pulgadas americanas.  
1 pulgada = 25,4 mm

# TRACTOR - MODELO NO. LGT24K54 (240472)

## TRANSMISIÓN



drive-tex\_K46\_fender\_6\_r5



## TRACTOR - MODELO NO. LGT24K54 (240472)

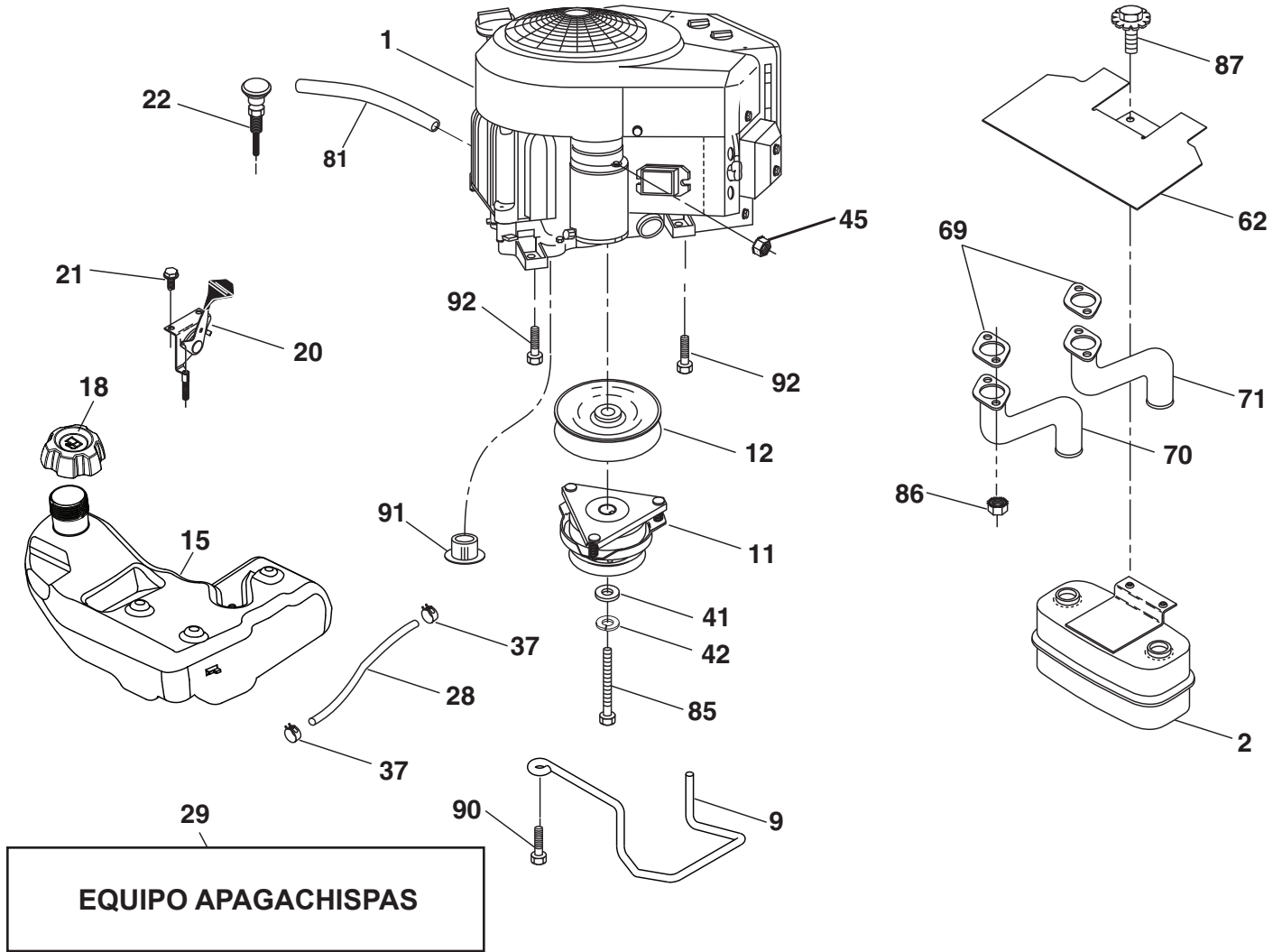
### TRANSMISIÓN

CÓDIGO NO.	PIEZA NO.	DESCRIPCIÓN	CÓDIGO NO.	PIEZA NO.	DESCRIPCIÓN
1	---	Transeje, TUFFTORQ TTK46AW (448354) (Vea transeje descomposura.)	170	532 41 34-30	Sujetador de la correa central
			174	532 19 72-89	Tuerca
2	532 18 62-11	Llave	175	532 40 62-08	Ensamble del eje
7	532 19 98-44	Ensamble del cubo trasero 22" TX GT .06	176	532 19 62-14	Brazo
9	532 14 00-80	Perno	178	532 19 74-56	Resorte
15	819 13 13-16	Arandela 13/32 x 13/16 x calibre 16	183	532 40 04-24	Separador
17	532 41 36-78	Resorte de freno	184	532 44 14-55	Manija del freno de mano
22	532 19 73-29	Varilla	185	872 11 06-22	Perno 3/8-16 x 2-3/4 Gr. 5
23	532 14 08-45	Perilla	186	532 19 43-21	Espaciador de retención
29	532 40 38-06	Varilla del freno	187	819 13 32-10	Arandela
33	812 00 00-01	Aro "E"	188	532 19 43-23	Mecanismo de desplazamiento de la varilla de mando del embrague
35	532 43 54-86	Varilla del freno de mano	189	532 19 43-17	Palanca acodada del mecanismo de desplazamiento
42	532 12 48-72	Cubierta del pedal	190	532 19 43-18	Sujetador de la palanca acodada del mecanismo de desplazamiento
49	872 11 06-14	Perno	196	817 00 06-16	Tornillo 3/8-16 x 1
50	532 19 43-27	Polea loca plana	197	532 19 97-69	Mecanismo de desplazamiento
51	873 90 06-00	Tuerca de presión de 3/8-16	205	532 12 17-48	Arandela
52	532 19 43-26	Polea loca con ranura en V con un desplazamiento	211	532 19 62-12	Buje
56	532 13 09-69	Correa trapezoidal de la transmisión	216	532 19 61-31	Soporte
64	532 19 62-00	Ensamble del eje Control del pedal de freno	220	532 19 89-08	Reflector derecho
70	532 43 96-60	Ensamble de la consola	221	532 40 31-87	Abrazadera de retención del resorte de la manija
73	874 49 05-60	Perno 5/16-18 3.75	225	532 40 33-19	Sujetador de la correa
74	532 14 24-32	Tornillo 1/4 x 1/2	226	532 40 08-31	Soporte
80	532 44 06-19	Correa de torsión	227	817 49 05-12	Tornillo 5/16-18 x 3/4
99	532 41 57-43	Varilla de desviación	230	532 18 89-67	Arandela
116	873 90 05-00	Tuerca 5/16-18	231	532 40 72-87	Polea loca con ranura en V con un desplazamiento de 1.688"
125	817 00 05-12	Tornillo 5/16-18 x 3/4	233	532 40 52-96	Arandela
143	817 49 05-08	Tornillo 5/16-18 x 1/2	276	874 78 07-16	Perno 7/16-14 x 1 Gr. 5
153	532 12 47-88	Retén del resorte	279	532 40 62-07	Acoplamiento
159	876 02 04-12	Pasador de chaveta de 1/8 x 3/4			
160	532 16 94-84	Abrazadera de retención			
161	532 10 57-09	Resorte de retorno del embrague			
162	532 19 57-85	Separador de transeje 18 y 22			
166	532 42 91-64	Tuerca			
167	532 40 52-57	Pestillo del freno de mano			

**NOTA:** Las dimensiones de todos los componentes están expresadas en pulgadas americanas.  
1 pulgada = 25,4 mm

# TRACTOR - MODELO NO. LGT24K54 (240472)

## MOTOR



engine-tex\_Kawa-2cyl\_7\_r1

## TRACTOR - MODELO NO. LGT24K54 (240472)

### MOTOR

CÓDIGO NO.	PIEZA NO.	DESCRIPCIÓN
1	- - - - -	Motor Kawa modelo No. FR730V-DS04 (445363) (Vea motor descompostura.)
2	532 44 59-62	Silenciador
9	532 19 43-20	Ensamble del sujetador de la correa del motor
11	532 17 93-35	Embrague de eléctrico
12	532 19 43-43	Polea del motor
15	532 43 80-81	Tanque de Gasolina de 4,0
18	532 43 92-08	Ensamble de la tapa
20	532 41 21-65	Control del regulador
21	532 41 63-58	Tornillo No. 10 x 0,75 con rosca reforzada
22	532 18 95-41	Control del obturador
28	532 40 11-35	Línea de combustible
29	532 13 71-80	Equipo apagachispas
37	532 12 34-87	Abrazadera de la manguera
41	532 12 61-97	Arandela 1-1/2 x 15/32 x .250
42	810 04 07-00	Arandela de presión de 7/16
45	873 51 04-00	Tuerca
62	532 43 40-17	Silenciador con pantalla térmica
69	532 17 81-51	Junta
70	532 42 47-65	Tubo de escape izquierdo
71	532 42 47-66	Tubo de escape derecho
81	532 14 84-56	Tubo de fácil drenaje de aceite
85	532 17 99-53	Perno de 7/16-20 x 3.75 Gr. 5
86	532 18 43-62	Tuerca de presión de M8-1.25
87	532 17 18-77	Perno de 5/16-18 unc x 1
90	817 00 06-16	Tornillo de 3/8-16 x 1
91	532 18 74-95	Buje
92	817 12 06-16	Tornillo de 3/8-16 x 1

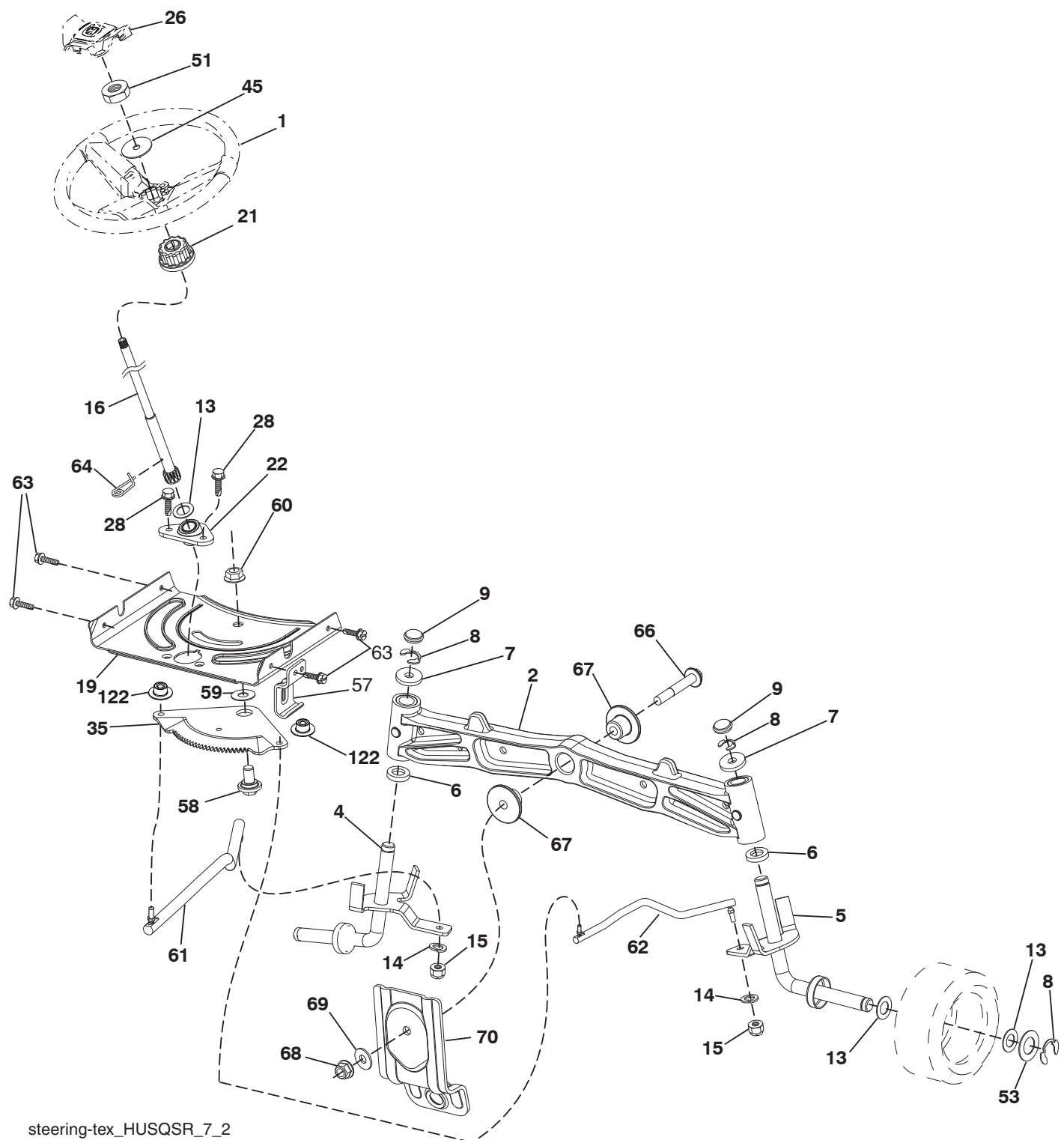
**NOTA:** Las dimensiones de todos los componentes están expresadas en pulgadas americanas.  
1 pulgada = 25,4 mm

Para las piezas del servicio y de recambio del motor, llame el número gratis para su fabricante del motor enumerado abajo:

Kawasaki

1-949-460-5688

**TRACTOR - MODELO NO. LGT24K54 (240472)**  
**ENSAMBLE DE LA DIRECCIÓN**



steering-tex\_HUSQSR\_7\_2

**TRACTOR - MODELO NO. LGT24K54 (240472)**  
**ENSAMBLE DE LA DIRECCIÓN**

<b>CÓDIGO NO.</b>	<b>PIEZA NO.</b>	<b>DESCRIPCIÓN</b>
1	532 43 97-40	Volante de dirección
2	532 19 59-68	Ensamble del eje delantero
4	532 40 30-89	Ensamble del husillo izquierdo
5	532 40 30-90	Ensamble del husillo derecho
6	532 12 49-31	Pista del rodamiento para reforzar el impulso
7	532 12 17-48	Arandela de 25/32 x 1-5/8 calibre 16
8	812 00 00-29	Abrazadera del aro No. T5304-75
9	532 12 12-32	Tapa del husillo
13	532 12 17-49	Arandela de 25/32 x 1-1/4 calibre 16
14	810 04 06-00	Arandela de presión de 3/8
15	873 54 06-00	Tuerca de 3/8-24 unf
16	532 40 82-19	Eje de dirección
19	532 19 47-29	Placa de dirección
21	532 18 67-37	Adaptador del volante de dirección
22	532 42 05-37	Dirección apoyo inferior
26	532 43 97-43	Inserto del volante de dirección
28	817 00 06-12	Tornillo de 3/8-16 x 3/4
35	532 19 47-32	Engranaje del sector de la placa
45	819 18 38-12	Arandela de 9/16 ID x 2-3/8 x calibre 12
51	873 94 08-00	Contratuerca hexagonal de seguridad de 1/2-20 unf
53	532 18 89-67	Arandela reforzada de 793 x 1637 x 0,060
57	532 19 72-46	Tope superior del soporte
58	532 19 47-47	Perno de tope del sector del pivote CFM
59	532 19 47-48	Arandela de empuje del sector de dirección
60	873 97 10-00	Tuerca de 5/8-11
61	532 19 47-40	Barra de acoplamiento izquierda
62	532 19 47-41	Barra de acoplamiento derecha
63	817 00 05-12	Tornillo de 5/16-18 x 3/4
64	532 19 98-49	Abrazadera de retención del resorte de la dirección
66	871 02 07-48	Perno de cabeza hexagonal con brida acanalada de 7/16-14 x 3
67	532 19 47-37	Buje PM del eje delantero
68	873 90 07-00	Tuerca de 7/16-14 grado 5
69	532 19 91-62	Arandela de 1,5 x 0,505 x 0,118
70	532 19 61-97	Soporte de la plataforma delantera
122	532 44 49-62	Tapas

**NOTA:** Las dimensiones de todos los componentes están expresadas en pulgadas americanas.  
1 pulgada = 25,4 mm

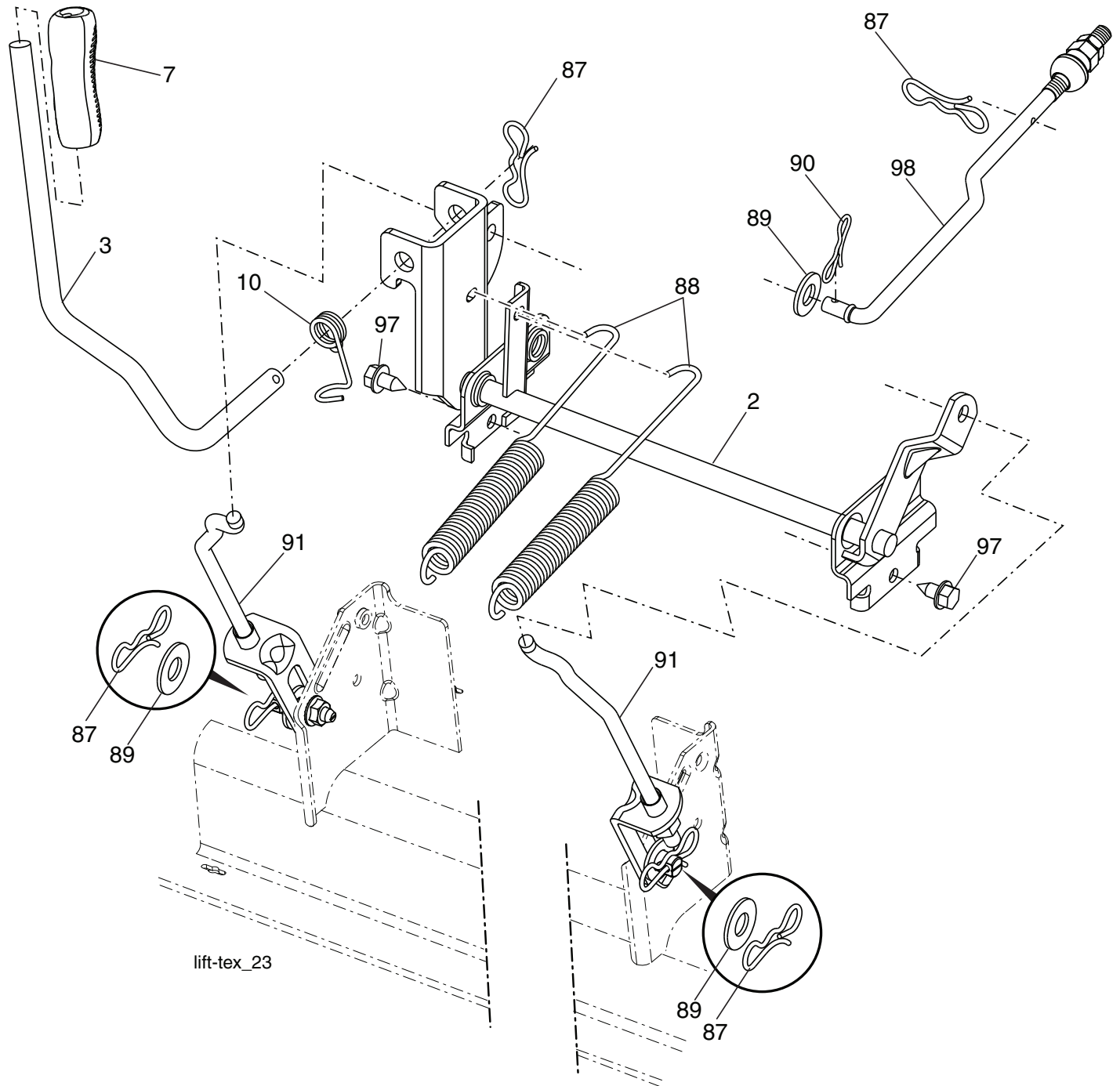


**TRACTOR - MODELO NO. LGT24K54 (240472)**  
**PLATAFORMA DE LA CORTADORA DE CÉSPED**

<b>CÓDIGO NO.</b>	<b>PIEZA NO.</b>	<b>DESCRIPCIÓN</b>	<b>CÓDIGO NO.</b>	<b>PIEZA NO.</b>	<b>DESCRIPCIÓN</b>
1	532 44 15-47	Carcasa de la cortadora de césped	59	532 18 73-44	Manija del cable de embrague
6	532 19 60-66	Cubierta derecha del mandril	60	532 18 76-07	Correa trapezoidal
7	532 19 71-81	Cubierta izquierda del mandril	97	532 17 85-15	Perno
8	532 19 30-03	Perno/arandela del ensamble de 7/16-20 unf	98	532 19 61-05	Resorte
11	532 18 72-56	Cuchilla de la cortadora de césped	113	872 11 05-08	Perno
12	532 40 48-51	Barra	114	532 18 75-56	Barra
13	532 18 72-91	Ensamble del eje del mandril	116	532 19 34-06	Perno de tope
14	532 18 72-81	Carcasa del mandril	117	532 17 48-73	Calibrador de la rueda
16	819 13 13-12	Arandela	120	819 13 20-12	Arandela
15	532 11 04-85	Rodamiento de bolas del mandril	122	532 18 75-57	Buje
18	872 14 05-05	Perno	184	873 90 05-00	Tuerca
19	532 19 42-08	Alfiler	185	873 90 07-00	Tuerca
21	873 68 05-00	Tuerca	187	532 19 51-61	Sujetador del travesaño
24	532 10 53-04	Tapa de la manga	189	532 19 51-85	Barra
25	532 17 81-02	Resorte de torsión del deflector	190	532 19 65-39	Perno de tope
26	532 11 04-52	Tuerca de presión	192	532 19 84-68	Sujetador de la correa
27	532 18 89-38	Protector del deflector	194	874 49 07-36	Perno
29	532 13 14-91	Varilla de la bisagra	196	872 14 06-20	Perno
30	532 17 39-84	Tornillo con cabeza de arandela	241	532 15 29-27	Tornillo
31	532 18 76-90	Arandela del separador	242	532 41 55-98	Puerto de lavado de la cubierta
32	532 15 35-35	Polea del mandril	--	532 41 64-05	Acoplador
33	532 40 02-34	Tuerca de seguridad con brida	--	532 18 72-92	Ensamble del Mandril (solo incluye la carcasa (código# 14), el ensamble del eje (código# 13) y el rodamiento (código# 15) y el tuerca (código# 13); no incluye la polea/arandela ni los pernos/arandelas de la cuchilla)
34	873 98 06-00	Tuerca			Reemplazo de la cortadora de césped, completa
39	532 19 73-80	Polea loca			
43	532 19 60-65	Brazo de la polea			
46	532 13 77-29	Espaciador de retención			
47	532 19 61-03	Tornillo hexagonal con arandela de 3/8-16 x 1	--	532 43 29-07	
49	873 90 06-00	Dispositivo de protección de la polea			
50	872 11 06-16	Brazo izquierdo del freno de la cortadora de césped			
52	532 19 73-79	Brazo del freno de la cortadora de césped			
58	532 18 73-42	Varillaje del freno			

**NOTA:** Las dimensiones de todos los componentes están expresadas en pulgadas americanas.  
1 pulgada = 25,4 mm

**TRACTOR - MODELO NO. LGT24K54 (240472)**  
**ELEVACIÓN DE LA CORTADORA DE CÉSPED**



CÓDIGO NO.	PIEZA NO.	DESCRIPCIÓN
2	532 42 20-27	Ensamble del eje de la elevación
3	532 19 52-30	Ensamble de la palanca de elevación derecha
7	580 96 23-01	Mango de la palanca
10	532 19 63-14	Resorte de torsión
87	532 19 42-09	Pasador de chaveta de 7/16 con bloqueo en forma de mariposa
88	532 19 53-04	Resorte de ayuda de la elevación
89	819 19 19-12	Arandela de zinc transparente
90	532 19 42-08	Pasador de chaveta de 5/16 con bloqueo en forma de mariposa

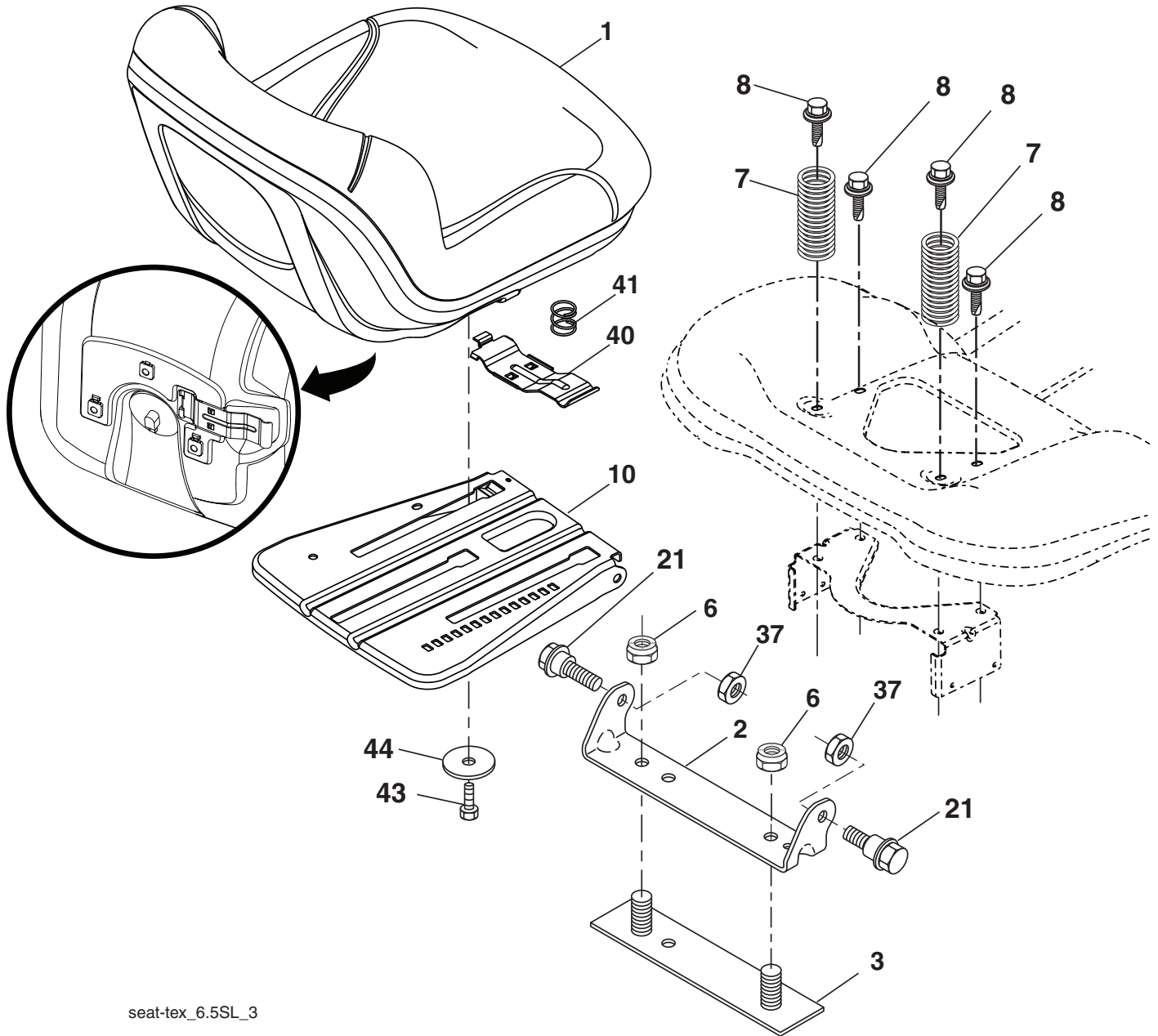
CÓDIGO NO.	PIEZA NO.	DESCRIPCIÓN
91	532 40 34-07	Ensamble del acoplamiento Elevación trasera
97	817 00 06-12	Tornillo de 3/8-16 x 0,75
98	532 19 52-64	Acoplamiento frontal de la elevación de la cortadora de césped

**NOTA:** Las dimensiones de todos los componentes están expresadas en pulgadas americanas.  
 1 pulgada = 25,4 mm



# TRACTOR - MODELO NO. LGT24K54 (240472)

## ENSAMBLE DEL ASIENTO



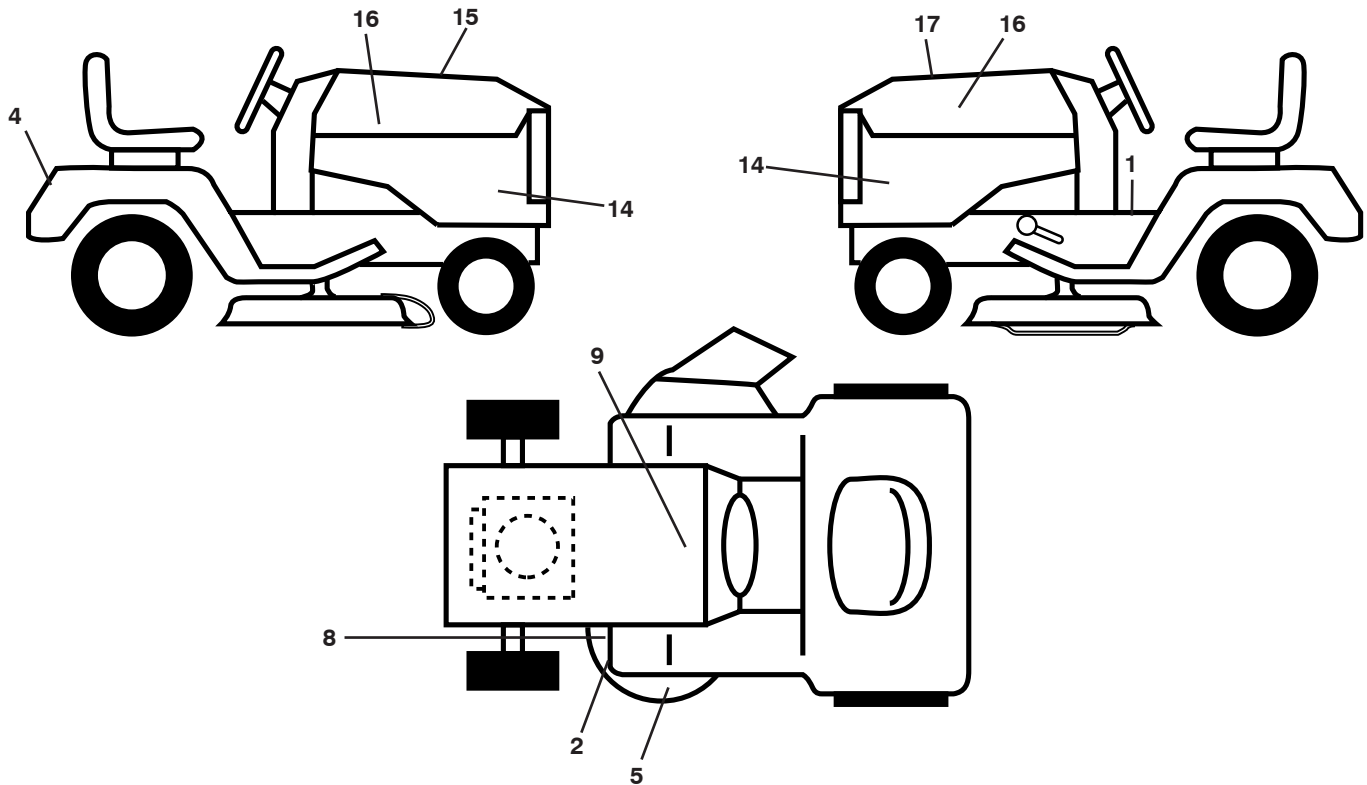
seat-tex\_6.5SL\_3

CÓDIGO NO.	PIEZA NO.	DESCRIPCIÓN	CÓDIGO NO.	PIEZA NO.	DESCRIPCIÓN
1	532 43 98-22	Asiento	40	532 19 76-61	Manija para deslizar el asiento
2	532 18 01-66	Soporte pivotante del guardabarros	41	532 19 82-00	Resorte para trabar el asiento
3	532 14 06-75	Conector del ensamble del guardabarros	43	874 76 06-12	Perno de cabeza hexagonal con aleta de 3/8-16 unc x 3/4
6	873 80 06-00	Tuerca de presión c/aislamiento de 3/8-16 unc	44	819 13 38-12	Arandela de 13/32 x 2-3/8 calibre 12
7	532 12 41-81	Resorte del asiento			
8	532 17 18-77	Perno de 5/16" unc x 3/4"			
10	532 19 69-77	Bandeja del asiento			
21	532 17 18-52	Perno de tope de 5/16-18			
37	873 80 05-00	Tuerca de presión de 5/16-18 unc			

**NOTA:** Las dimensiones de todos los componentes están expresadas en pulgadas americanas.  
1 pulgada = 25,4 mm

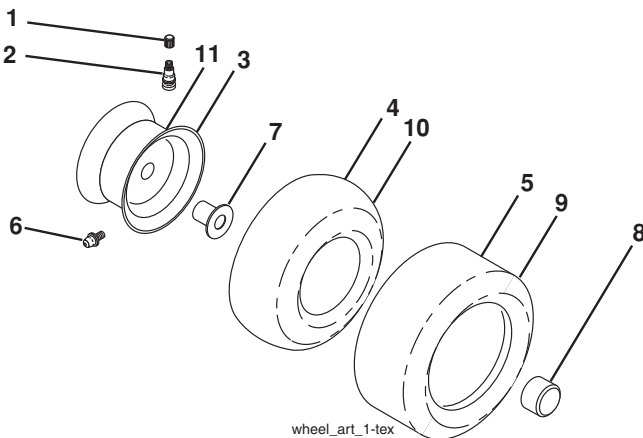
## TRACTOR - MODELO NO. LGT24K54 (240472)

### CALCOMANÍAS



CÓDIGO NO.	PIEZA NO.	DESCRIPCIÓN	CÓDIGO NO.	PIEZA NO.	DESCRIPCIÓN
1	581 57 89-01	Calcomanía, Cuidado	15	532 42 38-29	Calcomanía
2	581 57 95-01	Calcomanía	16	581 62 73-01	Calcomanía para la capota, logo
4	581 72 48-01	Calcomanía para el guardabarros	17	532 44 14-54	Calcomanía de reemplazo
5	581 72 45-02	Calcomanía, Cuidado	--	532 43 98-82	Forro del apoyo para los pies izquierdo
8	581 58 00-02	Calcomanía del diagrama de la cortadora de césped	--	532 44 15-42	Forro del apoyo para los pies derecho
9	532 14 50-05	Calcomanía de Peligro/Punto de interconexión	--	115 55 22-27	Manual del Operario (Inglés/Español)
14	532 44 04-24	Calcomanía para el panel lateral	--	581 89 77-27	Manual de Repuestos (Inglés/Español)

### WHEELS AND TIRES



CÓDIGO NO.	PIEZA NO.	DESCRIPCIÓN
1	532 05 91-92	Tapa de la válvula del neumático
2	532 06 51-39	Vástago de la válvula
3	532 18 18-39	Ensamble de las llantas delanteras
4	532 00 81-34	Cámara delantera
5	532 10 62-30	Neumático delantero
6	532 12 49-57	Accesorio para engrasar (solo para la rueda delantera)
7	532 12 49-59	Rodamiento de la brida (solo para la rueda delantera)
8	532 17 50-39	Tapa del eje (solo para la rueda delantera)
9	532 18 47-08	Neumático trasero
10	532 00 71-54	Cámara trasera (Service Item Only)
11	532 40 17-82	Ensamble trasero de la llanta
--	532 14 43-34	Sellador para neumáticos (tubo de 10 onzas [283 gr])

**NOTA:** Las dimensiones de todos los componentes están expresadas en pulgadas americanas.  
1 pulgada = 25,4 mm

---

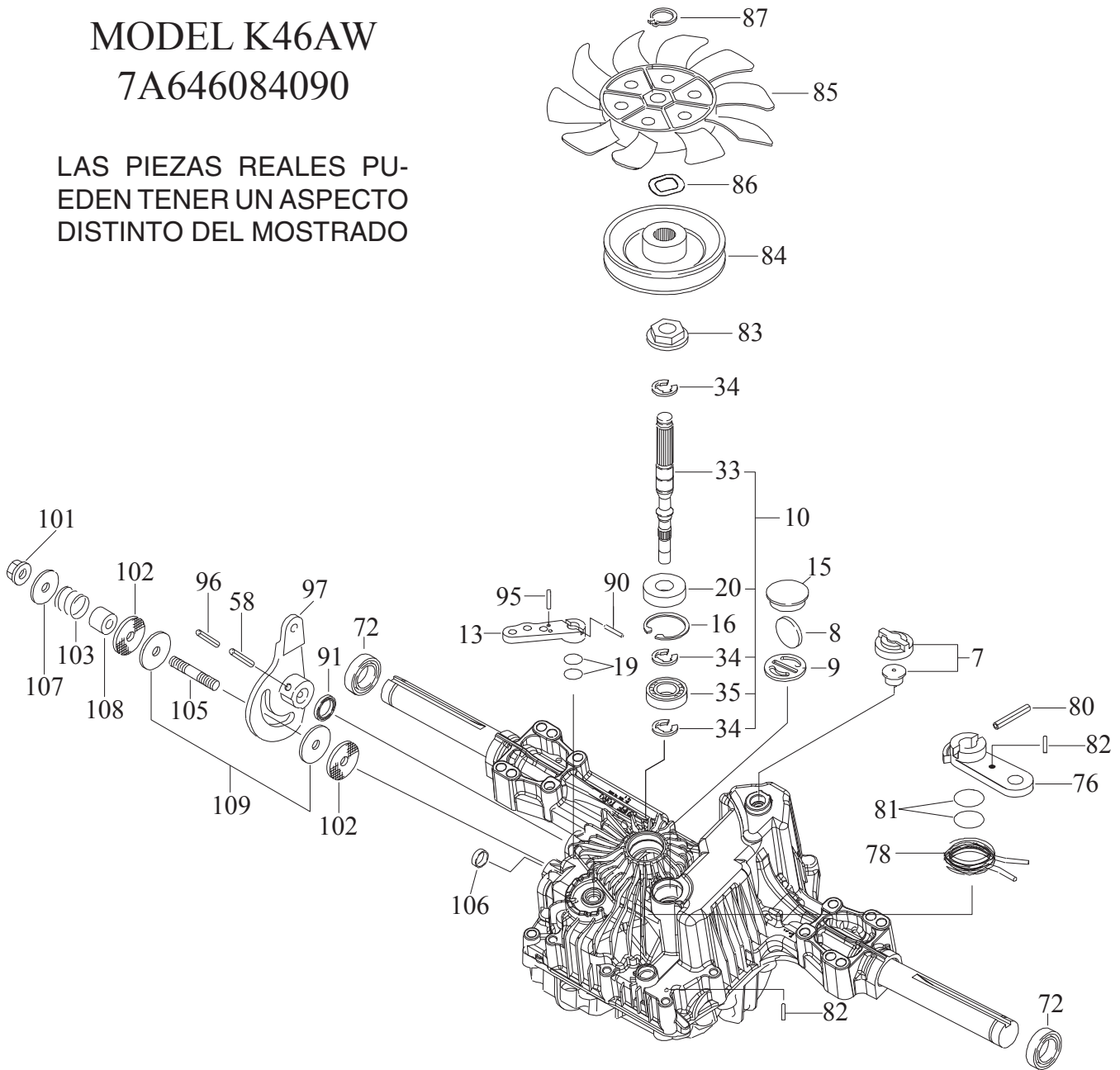
# AVISO

---

TRACTOR - MODELO NO. LGT24K54 (240472)  
TUFFTORQ TRANSEJE-NÚMERO DE MODELO TTK46AW

MODEL K46AW  
7A646084090

LAS PIEZAS REALES PU-  
EDEN TENER UN ASPECTO  
DISTINTO DEL MOSTRADO



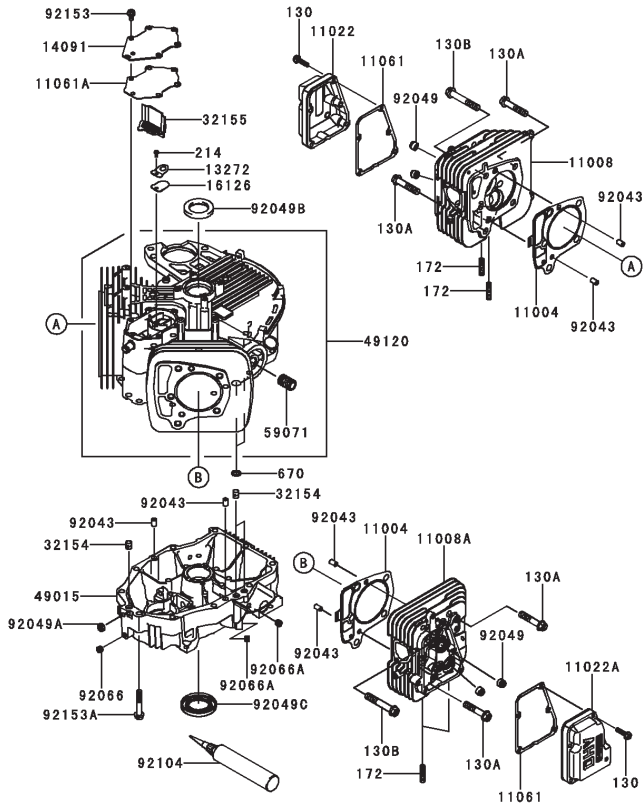
**TRACTOR - MODELO NO. LGT24K54 (240472)  
TUFFTORQ TRANSEJE-NÚMERO DE MODELO TTK46AW**

<b>CÓDIGO NO.</b>	<b>PIEZA NO.</b>	<b>DESCRIPCIÓN</b>
7	414395	VÁLVULA DE VENTILACIÓN 15
8	414396	IMÁN
9	414397	TENEDOR DE IMÁN
10	415923	EQUIPO DE EJE/PORTE DE BOMBA
13	414398	PALANCA
15	414399	TAPA 30
16	414400	ARO C 35
19	414401	ARO "O" 1A P10A
20	414402	SORTIJA DE SELLA TC 153507
33	414403	EJE DE BOMBA (ESTÁNDAR)
34	414404	ARO "E" 15
35	414405	RODAMIENTO 6202C3
58	414406	ALFILER 6 * 40
72	414407	SORTIJA DE SELLA 19 * 32 * 8
76	414408	PALANCA
78	414409	RETORNO DEL RESORTE
80	414410	ARO 5 * 32
81	414411	ARO "O" 1A P12
82	414412	ALFILER 4 * 16
83	414413	CUELLO
84	414414	POLEA L
85	414415	ABANICO, NEGRO
86	414416	ARANDELA
87	414417	ARO
90	414418	RESORTE 3.0A * 20
91	414419	SORTIJA DE SELLA DE ACEITE 16 * 22 * 03
95	415850	RESORTE 3.0A * 16
96	414420	ALFILER 3.5 * 40
97	414421	PALANCA DE CONTROL
101	414216	TUERCA 10
102	414423	ARANDELA 10 * 40 * 4
103	414424	RESORTE
105	414425	SUJETADOR 10 * 60
106	414426	TAPA 18
107	414427	ARANDELA 10 * 36 * 2.8
108	414428	CUELLO 10 * 20 * 17
109	414429	EQUIPO DE PLATO DE FRICCIÓN

**TRACTOR - MODELO NO. LGT24K54 (240472)  
KAWA MOTOR-NÚMERO DE MODELO FR730V-DS04**

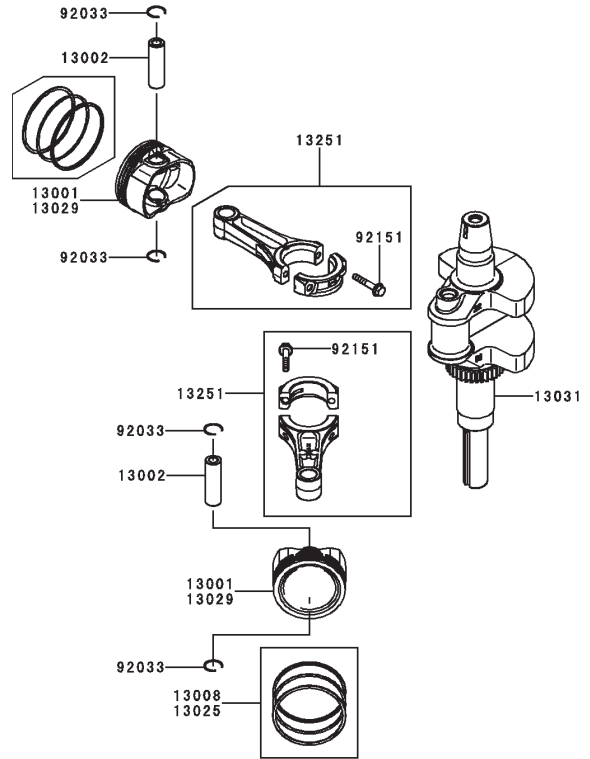
**CILINDRO/CÁRTER**

E0110-A750A



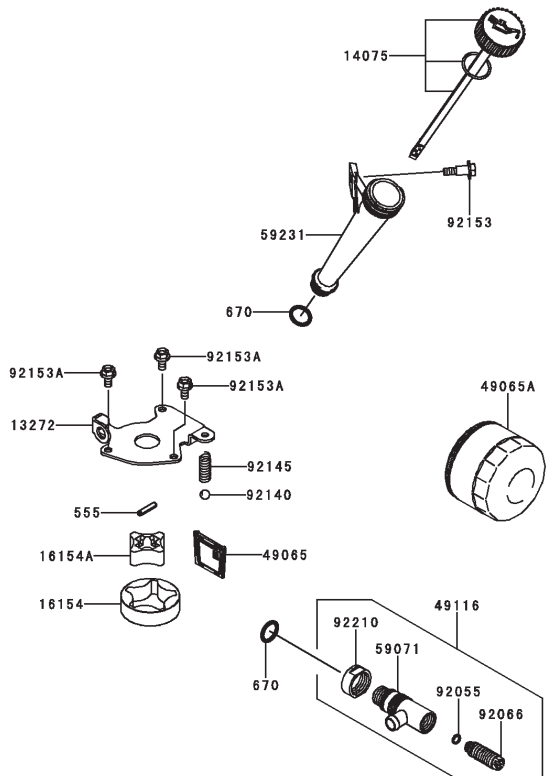
**PISTÓN/CIGÜEÑAL**

E0120-A398A



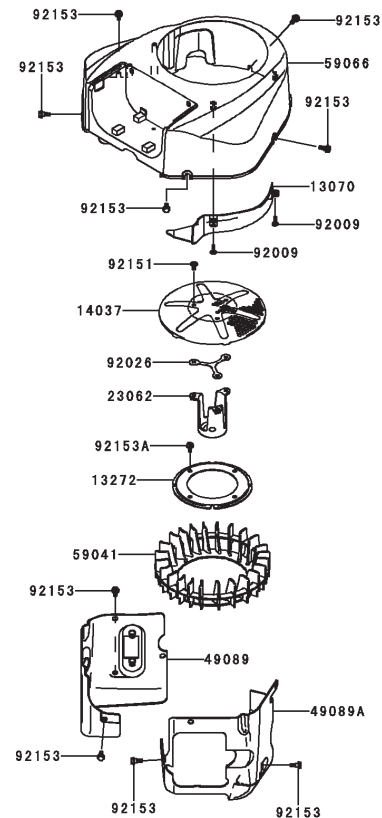
**LUBRICACIÓN-EQUIPO**

E0140-A516A



**ENFRIAMIENTO-EQUIPO**

E0150-A996A



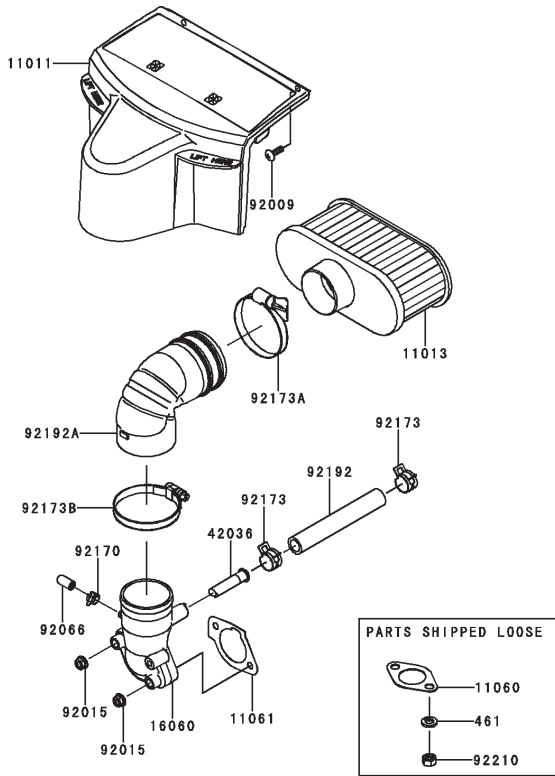




**TRACTOR - MODELO NO. LGT24K54 (240472)  
KAWA MOTOR-NÚMERO DE MODELO FR730V-DS04**

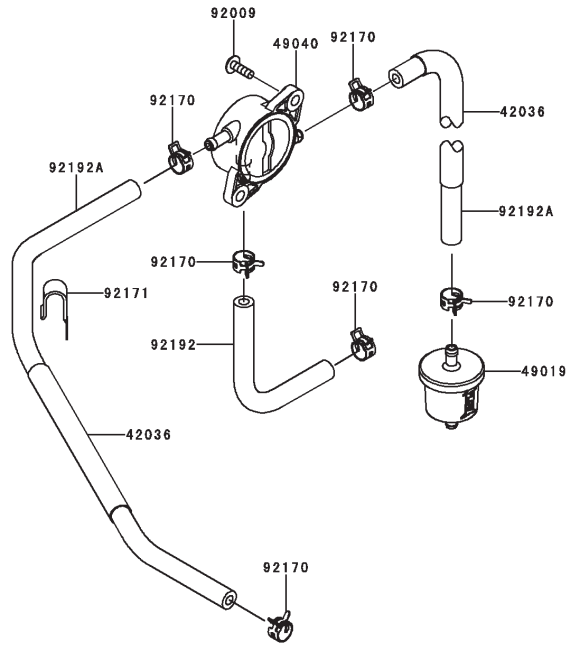
**FILTRO DE AIRE/SILENCIADOR**

E0190-B282A



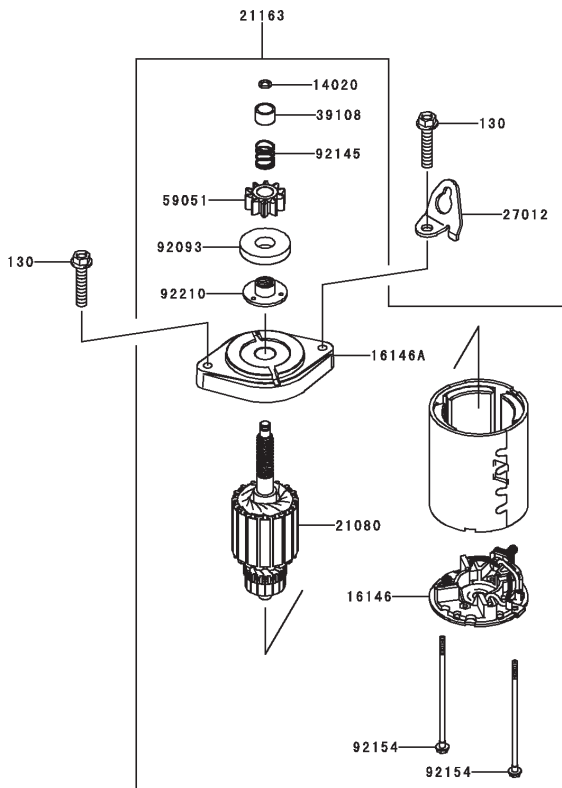
**TANQUE-COMBUSTIBLE/  
VÁLVULA-COMBUSTIBLE**

E0200-A694F



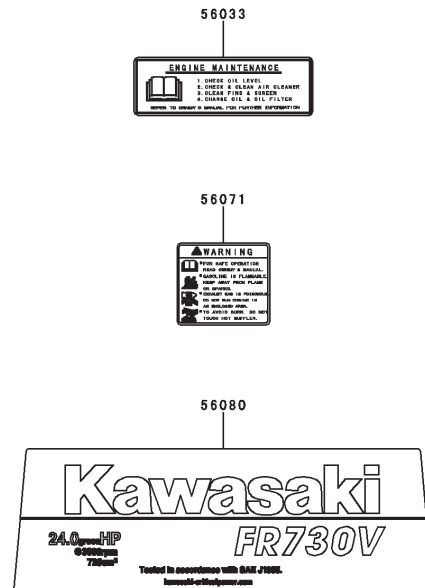
**ARRANQUE**

E0210-A557A



**ETIQUETA**

F0290-B728A



**TRACTOR - MODELO NO. LGT24K54 (240472)  
KAWA MOTOR-NÚMERO DE MODELO FR730V-DS04**

**CILINDRO/CÁRTER**

11004	11004-7026	EMPAQUE-CABEZAL
11008	11008-7039	CABEZAL-COMP-CILINDRO, #1
11008A	11008-7040	CABEZAL-COMP-CILINDRO, #2
11022	11022-0710	CAJA-BALANCÍN, #1
11022A	11022-0711	CAJA-BALANCÍN, #2
11061	11061-7083	EMPAQUE, CAJA-BALANCÍN
11061A	11061-7094	EMPAQUE-RESPIRADOR
13272	13272-7004	PLACA-RESPIRADOR
14091	14091-7064	CUBIERTA-RESPIRADOR
16126	16126-7020	VÁLVULA, RESPIRADOR
32154	32154-7019	TUBO
32155	32155-7003	TUBO, RESPIRADOR
49015	49015-7106	CUBIERTA-CÁRTER
49120	49120-0733	CÁRTER-COMP
59071	59071-7025	JUNTA
92043	92043-1263	PASADOR
92049	92049-7001	SELLO-ACEITE, RVC2 6X11X10.2
92049A	92049-7005	SELO-ACEITE, SO 8X14X5 HS
92049B	92049-7010	SELLO-ACEITE, SD 35X48X8 R HS
92049C	92049-7028	SELLO-ACEITE, 38X62X8MTCLV
92066	92066-7023	TAPÓN
92066A	92066-7026	TAPÓN
92104	92104-7001	EMPAQUE-LÍQUIDO, TB1217H
92153	92153-7043	PERNO, 6X12
92153A	92153-7054	PERNO, 8X50
130	130AA0625	PERNO-BRIDADO, 6X25
130A	130CA1050	PERNO-BRIDADO, 10X50
130B	130CA1065	PERNO-BRIDADO, 10X65
172	172BA0818	PERNO-TAQUETE, 8X18
214	214AA0408	TORNILLO-BANDEJA+, 4X8
670	670B2011	JUNTA TÓRICA, 11MM

**FILTRO DE AIRE/SILENCIADOR**

11011	11011-7065	CAJA-FILTRO DE AIRE
11013	11013-7049	ELEMENTO-FILTRO DE AIRE
11060	11060-7016	EMPAQUE, SILENCIADOR
11061	11061-7086	EMPAQUE, CARBURADOR/ TUBO-TOMA
16060	16060-7038	TUBO-TOMA
42036	42036-7022	MANGUITO, RESPIRADOR
92009	92009-2303	TORNILLO
92015	92015-1367	TUERCA
92066	92066-0095	TAPÓN
92170	92170-2042	PINZA
92173	92173-7003	PINZA
92173A	92173-7007	PINZA
92173B	92173-7010	PINZA
92192	92192-7146	TUBO, 12.6X18.6X118
92192A	92192-7165	TUBO
92210	92210-7027	TUERCA, M8
461	461DA0800	ARANDELA-RESORTE, 8MM

**ETIQUETA**

56033	56033-7001	ETIQUETA-MANUAL
56071	56071-0216	ETIQUETA-ADVERTENCIA
56080	56080-0814	ETIQUETA-MARCA

**VÁLVULA/ÁRBOL DE LEVAS**

11055	11055-7009	ABRAZADERA
12004	12004-7008	VÁLVULA-TOMA
12005	12005-7009	VÁLVULA-ESCAPE
12009	12009-7001	RETÉN-RESORTE DE VÁLVULA
12011	12011-2056	BOQUILLA
12016	12016-2066	BRAZO-BALANCÍN
12032	12032-7001	IMPULSOR
13070	13070-7017	GUÍA, REGULADOR
13116	13116-7007	VARILLA-EMPUJE
13271	13271-7007	PLACA
13271A	13271-7021	PLACA-REGULADOR
42036	42036-7021	MANGUITO
49078	49078-7002	RESORTE-VÁLVULA DE MOTOR, INTERIOR
49118	49118-7022	ÁRBOL DE LEVAS-COMP
92033	92033-7001	ANILLO-ELÁSTICO
92140	92140-7005	BOLA
92145	92145-7001	RESORTE
92152	92152-7022	COLLAR
92153	92153-7100	PERNO, 6X29.5
92200	92200-2151	ARANDELA, 8.1X18X0.5
92200A	92200-7009	ARANDELA, 16X42X0.91
92200B	92200-7048	ARANDELA, 16.3X30X2.28
130	130AA0814	PERNO-BRIDADO, 8X14
312	312AA0600	TUERCA-HEXAGONAL, 6MM

**LUBRICACIÓN-EQUIPO**

13272	13272-7011	PLACA, ROTOR
14075	14075-7013	TAPA-CONJUNTO, MEDIDOR DE ACEITE
16154	16154-7010	ROTOR-BOMBA, EXTERIOR
16154A	16154-7011	ROTOR-BOMBA, INTERIOR
49065	49065-7006	FILTRO-ACEITE
49065A	49065-7007	FILTRO-ACEITE
49116	49116-7001	VÁLVULA-CONJUNTO
59071	59071-7008	JUNTA
59231	59231-7016	RELLENO
92055	92055-7002	TÓRICA-JUNTA, 6MM
92066	92066-7007	TAPÓN
92140	92140-7003	BOLA
92145	92145-7002	RESORTE
92153	92153-7008	PERNO
92153A	92153-7043	PERNO, 6X12
92210	92210-7012	TUERCA, M22
555	555A0420	PASADOR-RESORTE, 4X20
670	670D2016	JUNTA TÓRICA, 16MM

**TRACTOR - MODELO NO. LGT24K54 (240472)  
KAWA MOTOR-NÚMERO DE MODELO FR730V-DS04**

**ARRANQUE**

14020	14020-7002	RETÉN
16146	16146-7027	CUBIERTA-CONJUNTO
16146A	16146-7030	CUBIERTA-CONJUNTO
21080	21080-0003	ARMADURA
21163	21163-0714	ARRANQUE-ELÉCTRICO
27012	27012-7008	GANCHO
39108	39108-0552	RETÉN-RESORTE
59051	59051-7034	ENGRANAJE-ESCALADOR
92093	92093-7007	SELLO
92145	92145-7060	RESORTE
92154	92154-7001	PERNO
92210	92210-7017	TUERCA
130	130AA0840	PERNO-BRIDADO, 8X40

**ELÉCTRICO-EQUIPO**

13272	13272-7012	PLACA
21066	21066-7017	REGULADOR-VOLTAJE
21171	21171-0711	BOBINA-CONJUNTO- ENCENDIDO
21193	21193-7038	VOLANTE-CONJUNTO
26011	26011-7025	CABLE-PLOMO, L=95
26030	26030-7008	ARNÉS
26031	26031-7040	ARNÉS
26031A	26031-7041	ARNÉS
59031	59031-7017	BOBINA-CARGA
92009	92009-2303	TORNILLO
92009A	92009-2308	TORNILLO
92066	92066-7026	TAPÓN
92070	92070-7004	TAPÓN-BUJÍA, BPR4ES (NGK), SÓLIDO
92072	92072-7003	BANDA
92154	92154-7003	PERNO, 12X30
92171	92171-7008	PINZA
92172	92172-7018	TORNILLO, 5X20
92200	92200-7002	ARANDELA
130	130AA0620	PERNO-BRIDADO, 6X20
510	510A5100	LLAVE-WOODRUFF

**CONTROL-EQUIPO**

13271	13271-7038	PLACA
16171	16171-7022	ESLABÓN
39129	39129-7035	RESORTE-REGULADOR
49103	49103-7014	BRAZO-REGULADOR
49103A	49103-7015	BRAZO-REGULADOR
49113	49113-0728	PANEL-COMP-CONTROL
92145	92145-7057	RESORTE
92145A	92145-7058	RESORTE
92153	92153-0009	PERNO, 6X12
92153A	92153-7001	PERNO, ENCHUFE, 5X16
92153B	92153-7033	PERNO, 6X35
92153C	92153-7043	PERNO, 6X12
92170	92170-7001	PINZA
92172	92172-0754	TORNILLO, 5X35
92172A	92172-0792	TORNILLO, 5X35
214	214AA0408	TORNILLO-BANDEJA+, 4X8
311	311AA0600	TUERCA-HEXAGONAL, 6MM
312	312AA0500	TUERCA-HEXAGONAL, 5MM
411	411AA0600	ARANDELA-PLANA, 6MM

**ENFRIAMIENTO-EQUIPO**

13070	13070-7019	GUÍA, AIRE DE ENFRIAMIENTO
13272	13272-7006	PLACA, VENTILADOR
14037	14037-7008-9H	PANTALLA
23062	23062-7022	ABRAZADERA-COMP
49089	49089-7079	REVESTIMIENTO-MOTOR
49089A	49089-7080	REVESTIMIENTO-MOTOR
59041	59041-7014	VENTILADOR
59066	59066-7052	CARCASA-VENTILADOR
92009	92009-2303	TORNILLO
92026	92026-7007	ESPACIADOR
92151	92151-7012	PERNO, 6X12
92153	92153-7007	PERNO
92153A	92153-7043	PERNO, 6X12

**TRACTOR - MODELO NO. LGT24K54 (240472)  
KAWA MOTOR-NÚMERO DE MODELO FR730V-DS04**

**CARBURADOR**

11061	11061-7009	EMPAQUE, CÁMARA
11061A	11061-7010	EMPAQUE, TORNILLO
11061B	11061-7087	EMPAQUE, AISLADOR
11061C	11061-7088	EMPAQUE, AISLADOR/ MÚLTIPLE
11061D	11061-7093	EMPAQUE, MÚLTIPLE
13107	13107-7018	EJE
15004	15004-7052	CARBURADOR-CONJUNTO
16014	16014-7010	TORNILLO-AIRE DE PILOTO
16020	16020-7003	CÁMARA-FLOTADOR
16025	16025-7017	VÁLVULA-MARIPOSA
16030	16030-7003	VÁLVULA-FLOTADOR
16031	16031-7002	FLOTADOR
16041	16041-7050	EJE-CARBURADOR, INDUCTOR
16041A	16041-7056	EJE-CARBURADOR, MARIPOSA
16073	16073-7013	AISLADOR
16186	16186-7006	VÁLVULA-CONJUNTO- INDUCTOR
21188	21188-7002	SOLENOIDE
49121	49121-7018	BOQUILLA-PRINCIPAL
59076	59076-7019	MÚLTIPLE-TOMA
92009	92009-2083	TORNILLO
92009A	92009-2349	TORNILLO
92063	92063-7141	CHORRO-PRINCIPAL, #122, 3280FT
92063A	92063-7142	CHORRO-PRINCIPAL, #124
92063B	92063-7149	CHORRO-PRINCIPAL, #120, 6560FT
92066	92066-7032	TAPÓN
92081	92081-2234	RESORTE
92093	92093-2100	SELLO
92093A	92093-7003	SELLO
92145	92145-2122	RESORTE
130	130AA0630	PERNO-BRIDADO, 6X30
172	172BA06115	PERNO-TAQUETE, 6X115

**PISTÓN/CIGÜEÑAL**

13001	13001-7027	PISTÓN-MOTOR
13002	13002-0704	PASADOR-PISTÓN
13008	13008-7005	ANILLO-JUEGO-PISTÓN
13025	13025-7009	ANILLO-JUEGO-PISTÓN L, 0.5
13029	13029-7010	PISTÓN-MOTOR L, 0.5
13031	13031-7084	CIGÜEÑAL-COMP
13251	13251-7025	VARILLA-CONJUNTO- CONEXIÓN
92033	92033-7018	ANILLO-ELÁSTICO
92151	92151-7017	PERNO, 6X35

**NOTA:** Las dimensiones de todos los componentes están expresadas en pulgadas americanas.  
1 pulgada = 25,4 mm

**TANQUE-COMBUSTIBLE/VÁLVULA-COMBUSTIBLE**

42036	42036-7015	MANGUITO
49019	49019-0707	FILTRO-COMBUSTIBLE
49040	49040-7008	BOMBA-COMBUSTIBLE
92009	92009-2303	TORNILLO
92170	92170-2009	PINZA
92171	92171-7008	PINZA
92192	92192-7148	TUBO, 6.4X12.7X150
92192A	92192-7188	TUBO, 6.35X12.7X390

**11/07/2012 TH**