

Repair Parts Manual Manual De Repuestos

YT42XLS / 96043015300

Please read the operator's manual carefully and make sure you understand the instructions before using the machine.

Por favor lea cuidadosamente y comprenda estas intrucciones antes de usar esta maquina.



English/Spanish



581 57 11-27

HOW TO USE THIS MANUAL

This manual is designed to provide the customer with a means to identify the parts on his/her tractor when ordering repair parts. The illustrations may or may not represent the actual assemblies; therefore, it is not recommended to use this manual as a guide to assemble or disassemble the tractor. Some hardware and parts are drawn larger in order to more readily identify them.

Each tractor has its own model number.

The model number for your tractor can be found on the fender under the seat.

When ordering parts, always give the following information:

- Product - "TRACTOR"
- MODEL NUMBER - "YT42XLS" (96043015300)"
- Part Number
- Part Description

TABLE OF CONTENTS

SCHEMATIC	3
ELECTRICAL.....	4-5
CHASSIS	6-7
DRIVE.....	8-9
ENGINE.....	10-11
STEERING	12-13
MOWER DECK.....	14-15
MOWER LIFT.....	16
SEAT	17
DECALS.....	18

COMO UTILIZAR ESTE MANUAL

Este manual está diseñado para brindarle al comprador un medio para identificar las piezas del tractor para cuando necesite hacer el pedido de un repuesto. Las ilustraciones pueden o no representar los ensambles reales; por lo tanto, no se recomienda utilizar este manual como una guía para ensamblar o desarmar el tractor. Algunos accesorios y piezas están dibujados en tamaños más grandes para identificarlos con mayor facilidad.

Cada tractor tiene su propio número de modelo.

El número de modelo del tractor se encuentra en el guardabarros debajo del asiento.

Cuando haga el pedido de una pieza, siempre brinde la siguiente información:

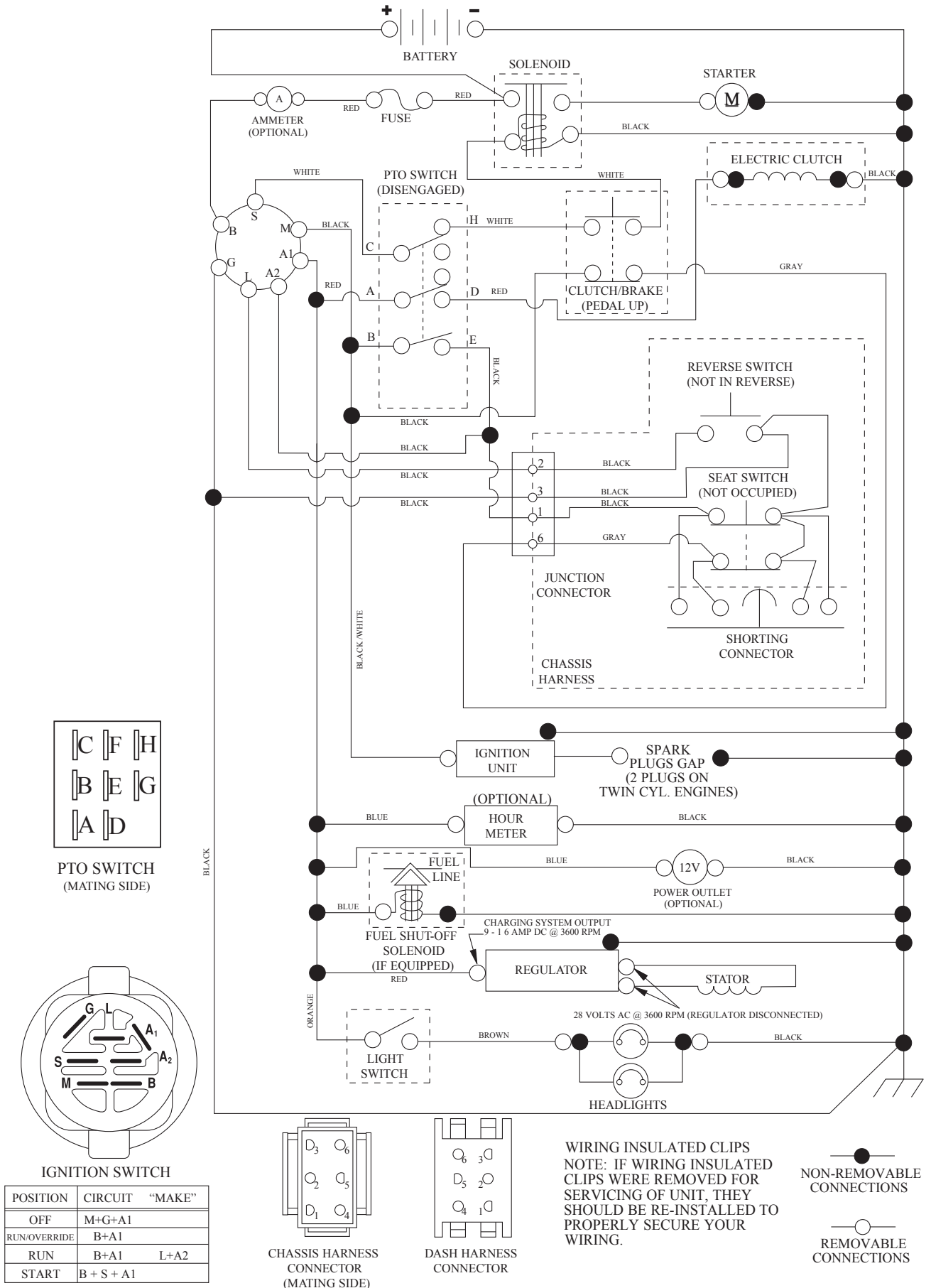
- Producto: "TRACTOR"
- NÚMERO DE MODELO: "YT42XLS" (96043015300)"
- Número de pieza
- Descripción de la pieza

ÍNDICE

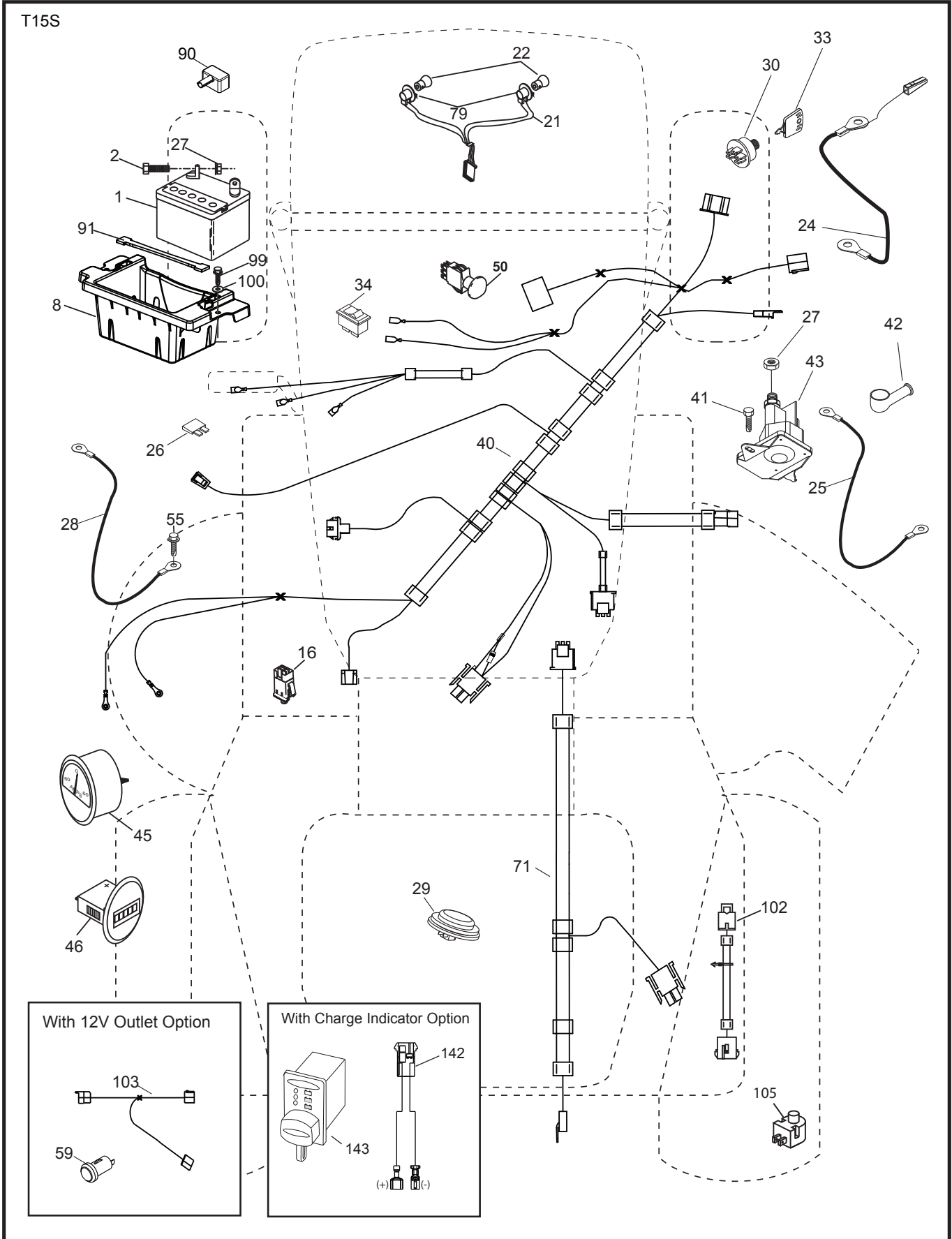
DIAGRAMA.....	19
DIAGRAMA ELÉCTRICO	20-21
CHASIS.....	22-23
TRANSMISIÓN	24-25
MOTOR	26-27
DIRECCIÓN	28-29
PLATAFORMA DE LA CORTADORA DE CÉSPED.....	30-31
ELEVACIÓN DE LA CORTADORA DE CÉSPED.....	32
ASIENTO.....	33
CALCOMANÍAS.....	34

TRACTOR - MODEL NO. YT42XLS (96043015300), PRODUCT NO. 960 43 01-53 SCHEMATIC

SCH12



**TRACTOR - MODEL NO. YT42XLS (96043015300), PRODUCT NO. 960 43 01-53
ELECTRICAL**

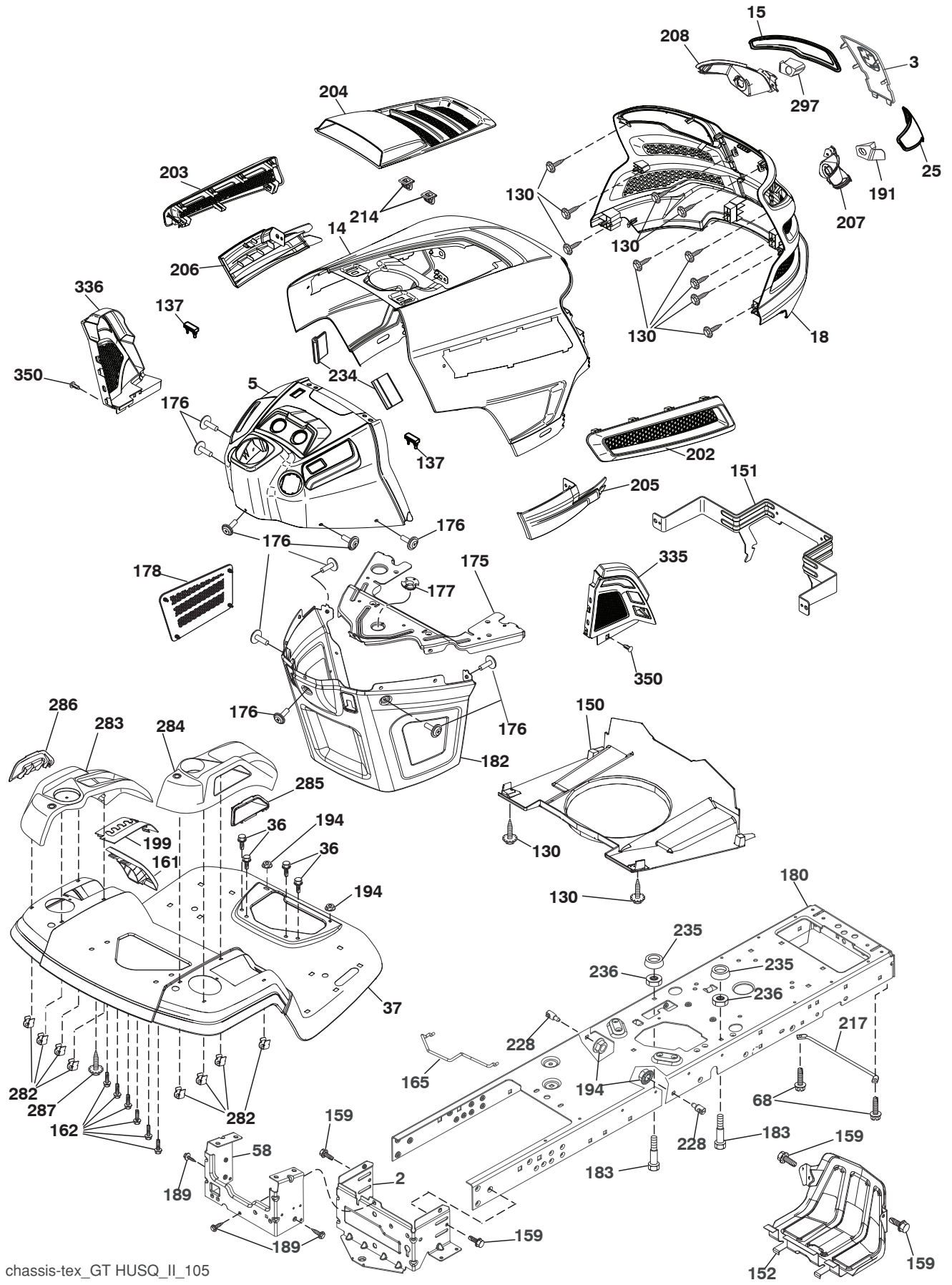


**TRACTOR - MODEL NO. YT42XLS (96043015300), PRODUCT NO. 960 43 01-53
ELECTRICAL**

KEY NO.	PART NO.	DESCRIPTION
1	532 16 34-65	Battery
2	874 76 04-12	Bolt Hex Head 1/4-20 x 3/4
8	532 18 64-91	Box Battery
16	532 17 61-38	Switch Interlock Push-In
21	532 40 02-52	Harness Socket Light w/4152J
22	532 00 41-52	Bulb Light
24	532 40 02-53	Cable Battery
25	532 41 28-95	Cable Starter
26	532 17 51-58	Fuse
27	873 51 04-00	Nut Keps Hex 1/4-20 unc
28	532 14 54-91	Cable, Ground
29	532 40 15-45	Switch, Seat
30	532 19 33-50	Switch, Ign
33	532 41 19-33	Key\Chain
34	532 11 07-12	Switch Light / Reset
40	581 58 35-01	Harness Ign. Dash
41	817 72 04-08	Screw Thd Cut 1/4-20 x 1/2
42	532 13 15-63	Cover, Terminal
43	532 19 25-07	Solenoid
45	532 42 52-70	Ammeter Gauge Round
46	532 42 52-71	Gauge Servicere minder Hrmt r
50	532 17 46-51	Switch PTO
55	817 06 05-12	Screw Thdrol 5/16-18 x 3/4 TYTT
59	532 40 03-03	Outlet 12-Volt
71	532 19 42-76	Harness Ign. Chassis
79	532 17 52-42	Socket Asm Bulb Twistlock
90	532 43 53-95	Cover Terminal
91	532 19 02-70	Strap Battery Mount
99	817 67 04-12	Screw Hexwsh Thdrol 1/4-20 x 3/4
100	819 09 14-16	Washer 9/32 x 7/8 x 16 Ga.
102	532 40 44-54	Harness Pigtail
103	532 42 17-47	Harness 12-Volt Pigtail
105	532 40 75-68	Switch Reverse TT Pedal Control
142	532 44 80-57	Harness, Charge Port

NOTE: All component dimensions given in U.S. inches
1 inch = 25.4 mm

TRACTOR - MODEL NO. YT42XLS (96043015300), PRODUCT NO. 960 43 01-53
CHASSIS



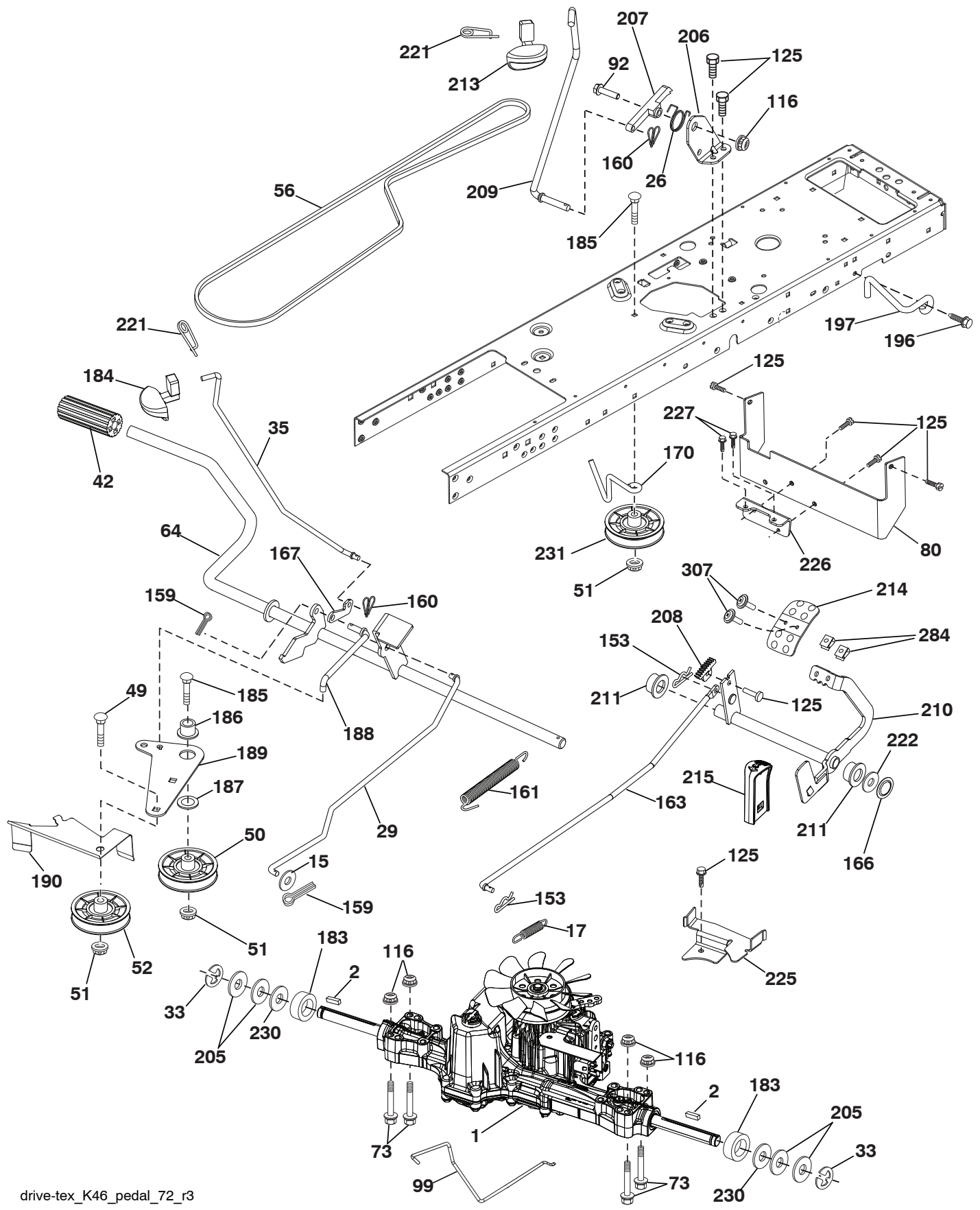
chassis-tex_GT HUSQ_II_105

**TRACTOR - MODEL NO. YT42XLS (96043015300), PRODUCT NO. 960 43 01-53
CHASSIS**

KEY NO.	PART NO.	DESCRIPTION	KEY NO.	PART NO.	DESCRIPTION
2	532 41 22-82	Drawbar	202	532 43 97-28	Vent Side Hood RH
3	532 44 44-81	Applique Sub Asm.	203	532 43 97-27	Vent Side Hood LH
5	532 43 74-90	Dash	204	532 43 57-14	Vent Top Hood
14	532 44 11-77	Hood	205	532 43 97-30	Side Trim RH
15	532 43 97-33	Lens LH	206	532 43 97-29	Side Trim LH
18	532 44 06-53	Grille	207	532 43 97-34	Bezel RH
25	532 44 33-85	Lens RH	208	532 43 97-35	Bezel LH
36	817 06 05-12	Screw 5/16-18 x 3/4	214	532 19 91-45	Clip Retainer Tinner
37	532 44 11-78	Fender	217	532 40 91-67	Rod Pivot
58	532 41 22-80	Drawbar Upper	228	532 19 51-61	Stud Fastener
68	817 49 05-08	Screw Thdrol 5/16-18 x 1/2	234	532 40 47-42	Bumper Hood
130	532 41 63-58	Screw 10 x 0.750 BOS Thread	235	532 40 61-29	Spacer Fender
137	532 40 75-90	Bumper Dash	236	873 93 05-00	Nut Lock 5/16-18 unc
150	532 43 97-74	Air Duct	282	532 41 41-10	Clip Retainer Console
151	532 43 66-70	Bracket Pivot Hood	283	532 43 98-61	Console Deck Lift
152	532 43 98-70	Shield Browning	284	532 43 98-23	Console Shift
159	817 00 06-12	Screw 3/8-16 x 3/4	285	532 41 63-15	Console Insert RH
161	532 43 97-81	Window Fuel	286	532 41 63-17	Console Insert LH
162	532 14 24-32	Screw Hex Wsh Hi-Lo 1/4x 1/2 unc	287	817 60 04-06	Screw 1/4-20 X 3/8
165	532 19 43-30	Support Tank Rear	297	532 43 74-56	Insert Reflective LH
175	532 19 63-04	Crossmember	335	532 44 82-04	Cover-RH Lower
176	532 40 07-76	Screw 10-24 x 5/8	336	532 44 53-09	Cover-LH Lower
177	532 19 52-27	Bushing Steering	350	532 44 51-43	Clip X-mas Tree
178	532 19 97-82	Cargo Net Asm.	--	532 43 18-82	Kit Guard Brush
180	532 44 55-59	Chassis			
182	532 40 68-59	Dash Lower			
183	874 52 05-20	Bolt 5/16-18 x 1-1/4			
189	817 00 05-12	Screw 5/16-18 x 3/4			
191	532 43 74-55	Insert Reflective RH			
194	873 90 05-00	Nut Lock Hex Flange 5/16-18			
199	532 41 34-85	Plate Deck Lift			

NOTE: All component dimensions given in U.S. inches
1 inch = 25.4 mm

**TRACTOR - MODEL NO. YT42XLS (96043015300), PRODUCT NO. 960 43 01-53
DRIVE**



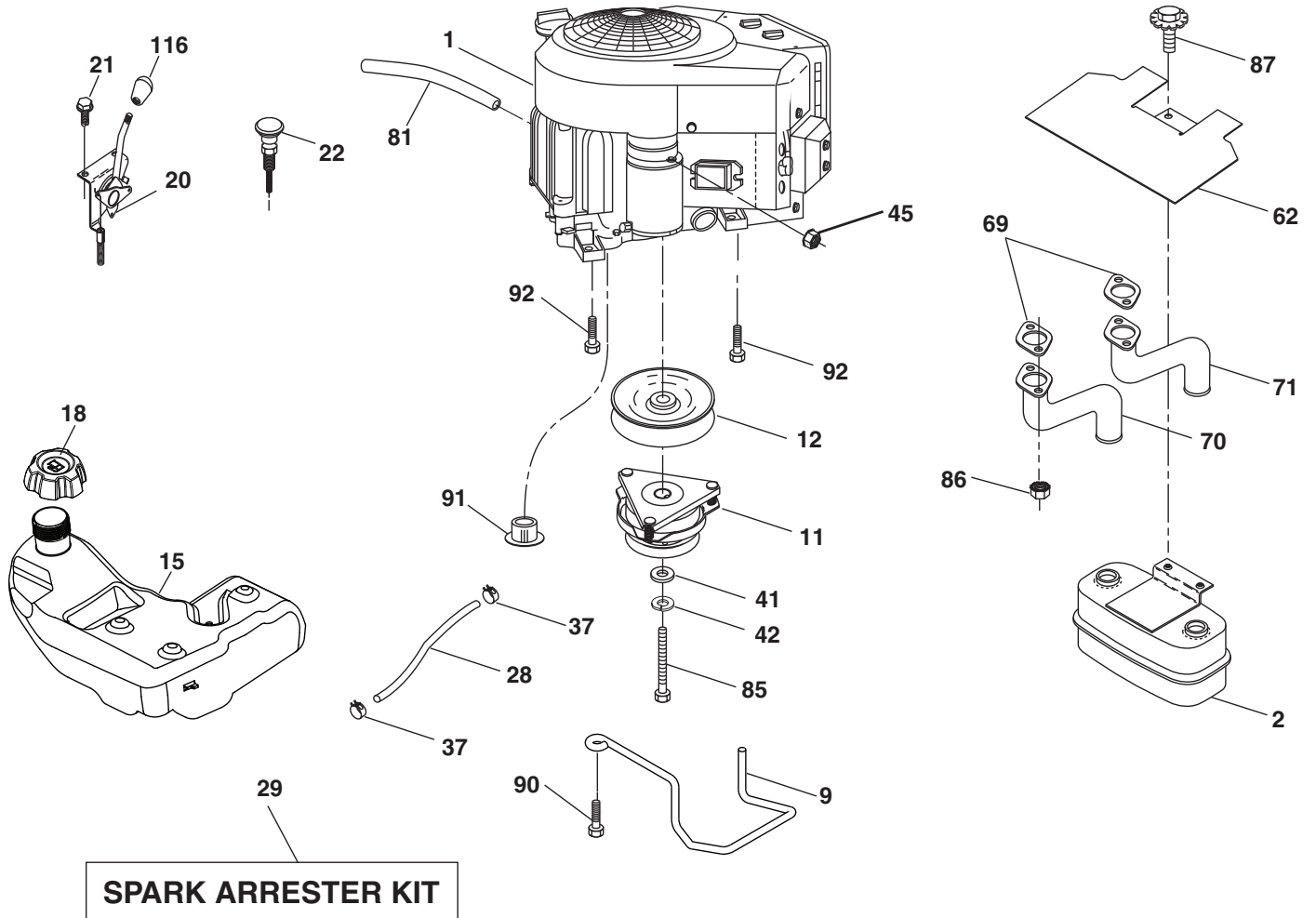
drive-tex_K46_pedal_72_r3

TRACTOR - MODEL NO. YT42XLS (96043015300), PRODUCT NO. 960 43 01-53 DRIVE

KEY NO.	PART NO.	DESCRIPTION	KEY NO.	PART NO.	DESCRIPTION
1	---	Transaxle, TUFFTORQ K46CR (426121)(Order parts from trans-axle manufacturer.)	184	532 44 14-55	Handle Parking Brake
2	532 12 35-83	Key	185	872 11 06-22	Bolt Rdhd Sqnk 3/8-16 x 2-1/2
15	819 13 13-16	Washer 13/32 x 13/16 x 16 Ga.	186	532 19 43-21	Spacer Retainer
17	532 41 36-78	Spring, Brake	187	819 13 32-10	Washer
26	532 19 96-79	Spring Return Cruise	188	532 19 43-23	Link Clutch Ground Drive
29	532 40 38-06	Rod, Brake	189	532 19 43-17	Bellcrank Ground Drive
33	812 00 00-01	Ring E	190	532 19 43-18	Keeper Bellcrank Ground Drive
35	532 43 54-86	Rod, Brake, Park	196	817 00 06-16	Screw 3/8-16 x 1
42	532 12 48-72	Cover, Foot Pedal	197	532 19 58-04	Bracket Clutch Anti-Rotation
49	872 11 06-14	Bolt	205	532 12 17-48	Washer
50	532 19 43-27	Pulley Idler Flat	206	532 19 78-67	Bracket Mount Latch Cruise
51	873 90 06-00	Lock Nut 3/8-16	207	532 19 78-68	Latch Control Cruise
52	532 19 43-26	Idler V-Groove	208	532 19 78-69	Gear Sector Control Cruise
56	532 13 09-69	V-Belt, Drive	209	532 19 95-92	Rod Control Cruise
64	532 19 78-65	Shaft Asm. Pedal Brake Control	210	532 40 09-80	Rocker Asm. Pedal Control
73	874 49 05-40	Bolt Hex 5/16-18 x 2-1/2 Gr. 5	211	532 12 01-83	Bearing Nylon
80	532 44 06-19	Bracket Strap Torque	213	532 40 31-19	Knob Control Cruise
92	874 76 05-20	Bolt Fin Hex 5/16-18 unc x 1.25	214	532 41 68-63	Pedal Forward
99	532 41 57-42	Rod Spring Bypass	215	532 40 17-23	Pedal Reverse
116	873 90 05-00	Nut Lock Hex Flange 5/16-18	221	532 40 31-87	Retainer Spring Clip Handle
125	817 00 05-12	Screw 5/16-18 x 3/4	222	879 21 20-10	Washer 21/32 x 1-1/4 x 10 Ga.
153	532 12 47-88	Retainer Spring	225	532 40 33-19	Keeper Belt Trans.
159	876 02 04-12	Pin Cotter 1/8 x 3/4	226	532 40 15-64	Bracket Mount Torque
160	532 16 94-84	Retainer Clip	227	817 49 05-12	Screw 5/16-18 x 3/4
161	532 10 57-09	Spring, Return, Clutch	230	532 18 89-67	Washer Hardened
163	532 44 82-75	Rod Pedal Control	231	532 40 72-87	Idler V-Groove
166	532 42 91-64	Nut Push	284	532 41 76-93	Nut U-CHNL 1/4-20550DP .350 PNL
167	532 40 52-57	Latch Brake Parking	307	874 18 04-12	Screw 1/4-20 x 3/4
170	532 41 34-30	Keeper Belt Centerspan			
183	532 13 70-57	Spacer Split			

NOTE: All component dimensions given in U.S. inches
1 inch = 25.4 mm

**TRACTOR - MODEL NO. YT42XLS (96043015300), PRODUCT NO. 960 43 01-53
ENGINE**



engine-tex_Kawa-2cyl_5_r1

**TRACTOR - MODEL NO. YT42XLS (96043015300), PRODUCT NO. 960 43 01-53
ENGINE**

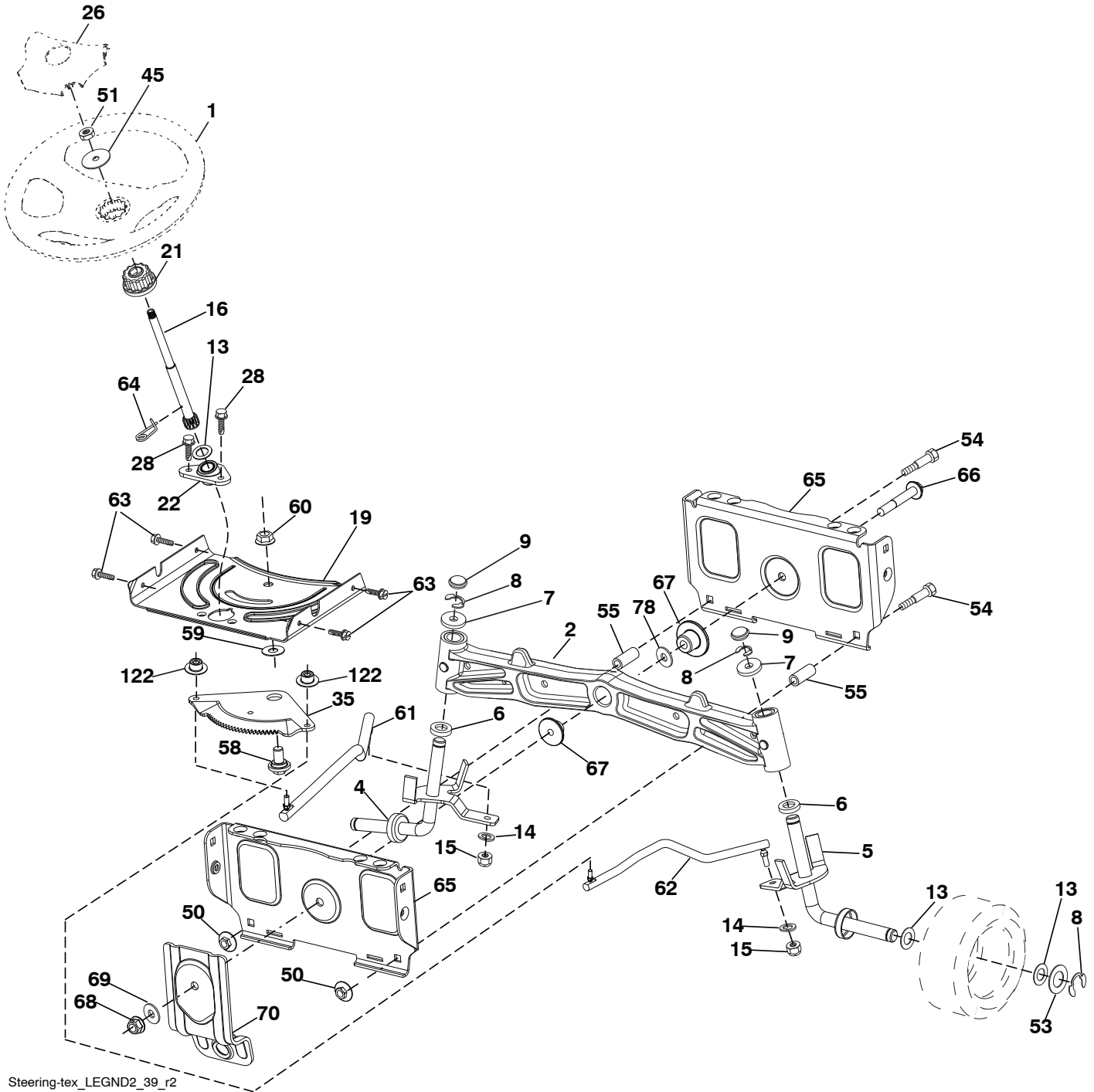
KEY NO.	PART NO.	DESCRIPTION
1	— — — — —	Engine KAWA Model No. FR691-ES15 (581557501)(Order parts from engine manufacturer.)
2	532 44 59-62	Muffler
9	532 19 43-20	Keeper Belt Engine
11	532 40 00-08	Clutch Electric
12	532 40 50-97	Pulley Engine
15	532 43 80-80	Tank Fuel
18	532 43 92-08	Cap
20	532 42 43-41	Control Throttle
21	532 41 63-58	Screw #10 x .750 BOS Thread
22	532 19 15-96	Control Choke
28	532 40 11-35	Fuel Line
29	532 13 71-80	Spark Arrester Kit
37	532 12 34-87	Clamp Hose
41	532 12 61-97	Washer 1-1/2 OD x 15/32 ID x .250
42	810 04 07-00	Washer Lock 7/16
45	873 51 04-00	Nut Keps Hex 1/4-20 unc
62	532 43 40-17	Heat Shield
69	532 17 81-51	Gasket
70	532 42 47-65	Tube Exhaust LH
71	532 42 47-66	Tube Exhaust RH
81	532 14 84-56	Tube Drain
85	532 17 39-37	Bolt Hex 7/16-20 x 4 x Gr. 5-1.5 Thr
86	532 18 43-62	Nut Hex Flange Toplock M8-1.25
87	537 17 18-77	Bolt 5/16-18 unc x 3/4 w/Sems
90	817 00 06-16	Screw 3/8-16 x 1
91	532 18 74-95	Bushing 1.375 OD
92	817 12 06-16	Screw 3/8-16 x 1
116	539 13 26-24	Knob Soft Touch

NOTE: All component dimensions given in U.S. inches
1 inch = 25.4 mm

For engine service and replacement parts, call the toll
free number for your engine manufacturer listed below:

Kawasaki 1-949-460-5688

TRACTOR - MODEL NO. YT42XLS (96043015300), PRODUCT NO. 960 43 01-53
STEERING ASSEMBLY



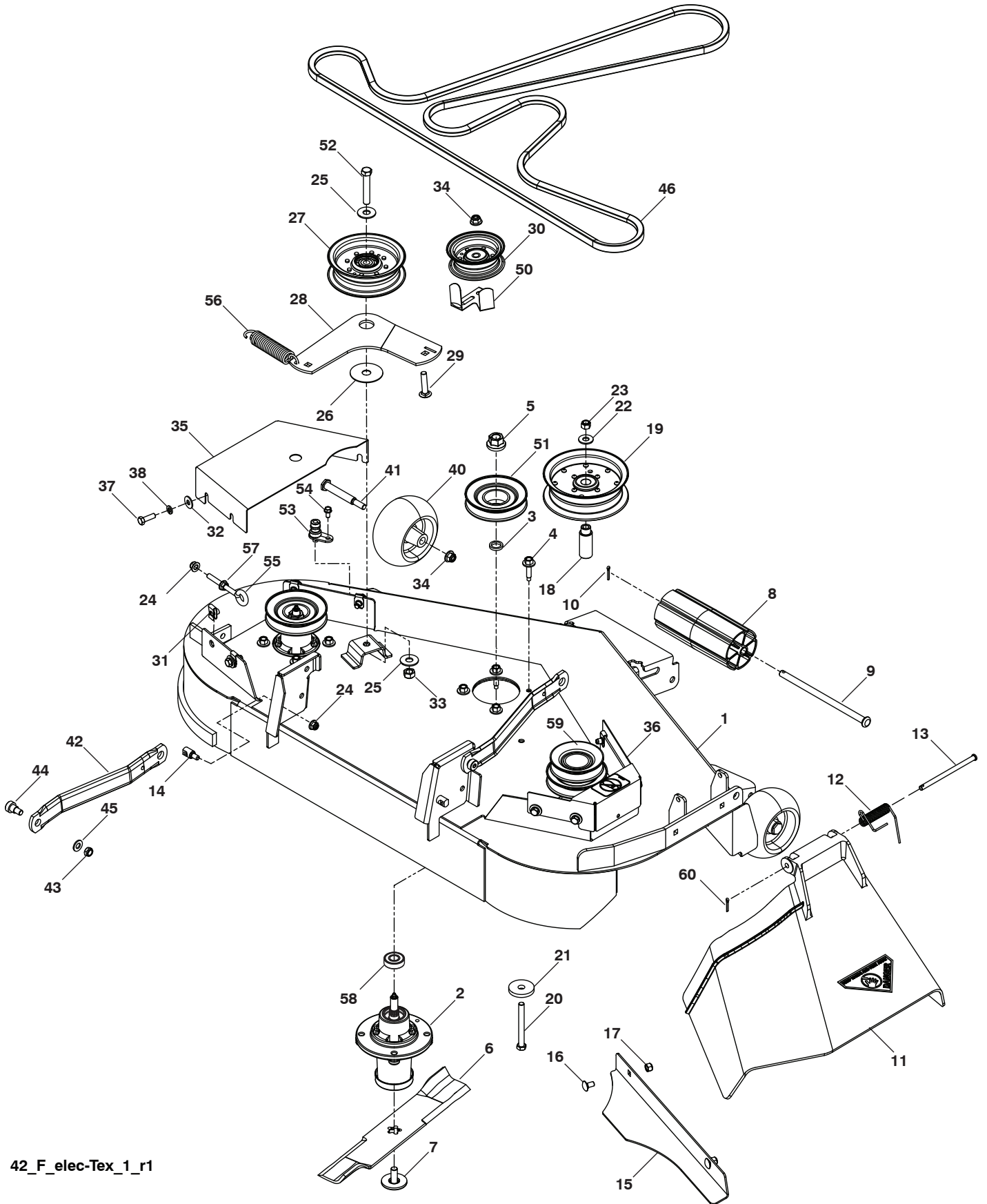
Steering-tex_LEGND2_39_r2

**TRACTOR - MODEL NO. YT42XLS (96043015300), PRODUCT NO. 960 43 01-53
STEERING ASSEMBLY**

KEY NO.	PART NO.	DESCRIPTION
1	532 43 97-40	Wheel, Steering
2	532 19 59-68	Axle Asm., Front
4	532 40 30-89	Spindle Asm., LH
5	532 40 30-90	Spindle Asm., RH
6	532 12 49-31	Bearing, Race Thrust Harden
7	532 12 17-48	Washer 25/32 x 1-5/8 x 16 Ga.
8	812 00 00-29	Ring, Clip #T5304-75
9	532 12 12-32	Cap, Spindle
13	532 12 17-49	Washer 25/32 x 1-1/4 x 16 Ga.
14	810 04 06-00	Washer, Lock Hvy Hlcl Spr 3/8
15	873 54 06-00	Nut, Crown Lock 3/8-24 unf
16	532 40 82-19	Shaft Steering
19	532 19 47-29	Plate Steering
21	532 18 67-37	Adapter, Wheel Steering
22	532 42 05-37	Steering Support Lower
26	532 43 97-43	Insert, Wheel Steering
28	817 00 06-12	Screw 3/8-16 x 3/4
35	532 19 47-32	Gear, Sector Plate
45	819 18 38-12	Washer 9/16 ID x 2-3/8 OD 12 Ga.
50	873 90 06-00	Nut Lock Flg. 3/8-16 unc
51	873 94 08-00	Nut Hex Jam Toplock 1/2-20 unf
53	532 18 89-67	WasherHardened.793x1.637x.060
54	874 76 06-36	Bolt Hex 3/8-16 unc x 2-1/4
55	532 41 47-36	Spacer Brace Axle
58	532 19 47-47	Bolt Shoulder Sector Pivot CFM
59	532 19 47-48	Washer Thrust Sector Steering
60	873 97 10-00	Nut Flange Lock 5/8-11
61	532 19 47-40	Draglink, LH
62	532 19 47-41	Draglink, RH
63	817 00 05-12	Screw 5/16-18 x 3/4
64	532 19 98-49	Retainer Clip Spring Steering
65	532 19 47-34	Brace Axle Front
66	871 02 07-48	Bolt Hex Fghd 7/16-14 x 3 Serr
67	532 19 47-37	Bushing PM Front Axle
68	873 90 07-00	Nut Lock Flange 7/16-14 Gr. 5
69	532 19 91-62	Washer 1.5 x .505 x .118
70	532 19 61-97	Bracket Deck Susp. Front
78	532 05 70-79	Washer Thrust
122	532 44 49-62	Cap Gear

NOTE: All component dimensions given in U.S. inches
1 inch = 25.4 mm

TRACTOR - MODEL NO. YT42XLS (96043015300), PRODUCT NO. 960 43 01-53
MOWER DECK



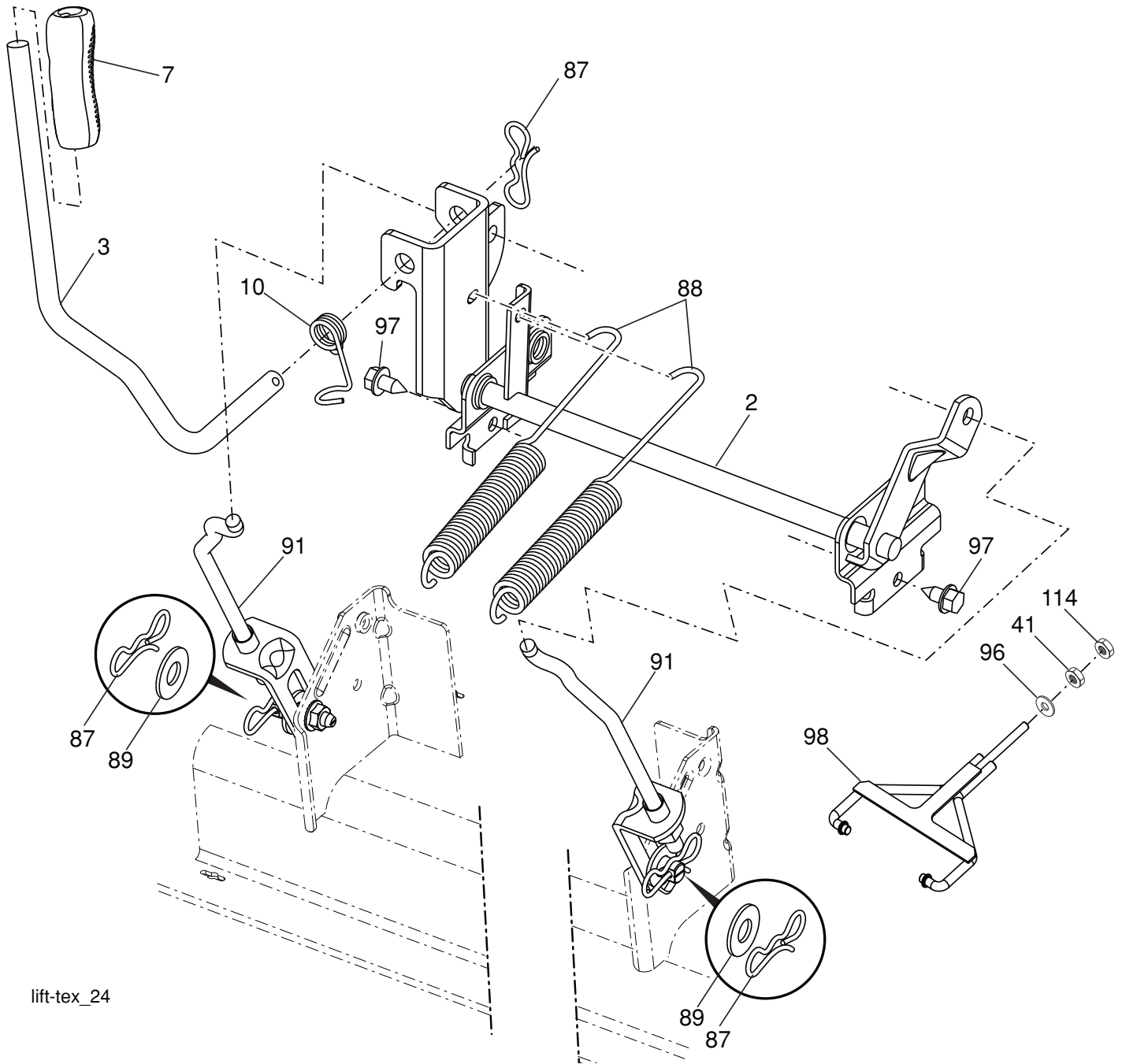
42_F_elec-Tex_1_r1

**TRACTOR - MODEL NO. YT42XLS (96043015300), PRODUCT NO. 960 43 01-53
MOWER DECK**

KEY NO.	PART NO.	DESCRIPTION	KEY NO.	PART NO.	DESCRIPTION
1	574 77 89-01	Deck w/Decals 42"	33	539 13 20-19	Nut, 7/16-14 Hex Nyloc
2	539 11 21-70	Housing Assembly	34	521 99 65-01	Nut 3/8-16 Hex Flg Nyloc
3	532 18 76-90	Washer-Spacer	35	575 22 47-02	Shield, Belt LH
4	532 17 39-84	Screw, Washer Head	36	575 50 03-02	Shield, Belt RH
5	532 40 02-34	Nut, 9/16 Top Center Lock	37	539 99 02-09	Hcs 5/16-18 x 1 Gr. 5
6	539 11 20-78	Blade, 14-5/8"	38	539 99 01-87	Wash 5/16 Slw
7	539 10 75-22	Bolt, 7/16, Assy Blade	40	532 13 39-57	Wheel, Gauge
8	532 17 60-66	Roller, Nose	41	532 19 34-06	Bolt, Shoulder
9	532 17 91-27	Rod, Roller, Nose	42	532 19 51-85	Arm, Susp., Rear
10	539 19 42-08	Clip Retainer	43	539 20 02-82	Nut, 3/8-16 Hex Jam Nyloc
11	539 11 07-31	Discharge Chute - 42" Plastic	44	539 11 36-21	Sb 3/8-16 x 3/8 Skt Hd
12	539 11 07-35	Spring - Torsion	45	539 99 01-22	Washer, 3/8 Sae Flt
13	539 11 07-36	Pin, Clevis 5/16 x 5.19	46	574 84 56-01	Belt, 42" Fab Deck
14	532 19 51-61	Stud, Fasten w/ Anti- Rotate	50	575 22 43-01	Guard, Belt
15	539 11 24-13	Confinement Plate	51	575 22 44-01	Pulley, Mandrel
16	539 99 07-99	Rhsnb 5/16-18 x 5/8 Gr. 5	52	539 10 48-70	Hcs 7/16-14 x 2-1/2 Gr. 5
17	539 99 07-17	Nut 5/16-18 Hex Nyloc	53	532 41 55-98	Washout Port
18	575 22 45-01	Idler Bushing	54	539 10 84-61	Bolt, 1/4-20 x 1/2
19	539 13 27-28	Pulley, Idler	55	539 11 55-74	Eyebolt 5/16 x 3-1/2
20	539 10 82-71	Hcs 3/8-16 x 3-1/2 Gr. 5	56	539 10 68-50	Spring
21	539 10 65-04	Heavy Washer	57	539 99 05-85	Nut 5/16-18 Hex
22	539 99 05-17	Washer, 3/8 Flat Std	58	532 11 04-85	Ball Bearing
23	539 97 69-79	Nut 3/8-16 Hex Nyloc	59	575 41 62-01	Pulley
24	539 11 28-99	Nut 5/16-18 Hex Flange Nyloc	60	532 16 94-84	Retainer Clip
25	539 10 48-64	Washer, 7/16 Flat	--	532 41 64-05	Connect Quick Coupling
26	532 17 85-15	Washer, Flat Hardened	--	532 44 53-57	Mower Deck Complete
27	532 19 61-04	Pulley, Idler Spec. Hub			
28	574 82 71-02	Arm, Idler, Blk			
29	539 99 09-23	Rhsnb 3/8-16 x 1-3/4 Gr. 5			
30	532 17 79-68	Pulley, Idler			
31	539 10 47-63	Retainer 5/16c U Type			
32	539 99 06-92	Washer, 5/16 Std Flt			

NOTE: All component dimensions given in U.S. inches
1 inch = 25.4 mm

**TRACTOR - MODEL NO. YT42XLS (96043015300), PRODUCT NO. 960 43 01-53
MOWER LIFT**



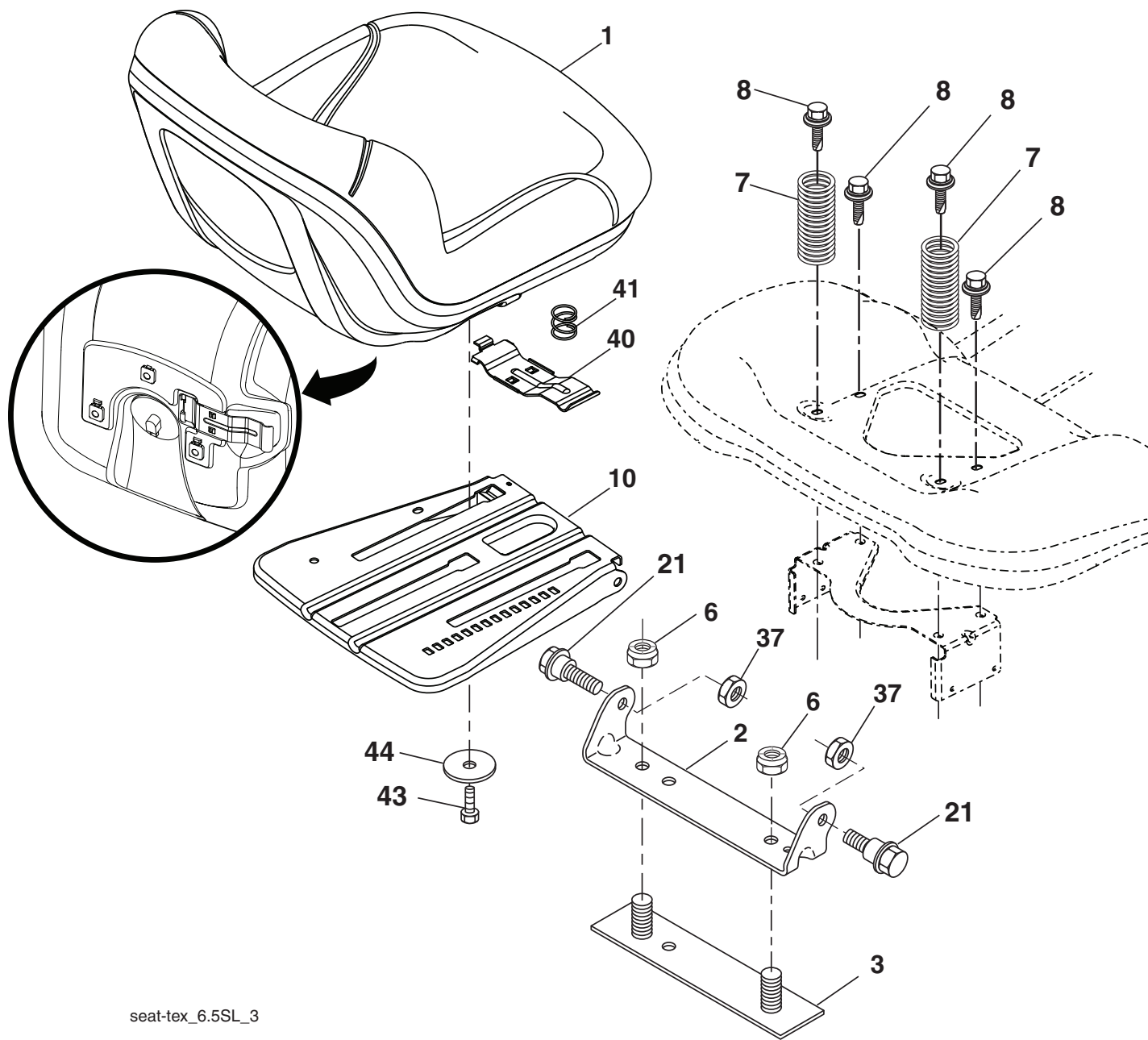
lift-tex_24

KEY NO.	PART NO.	DESCRIPTION
2	532 42 20-27	Shaft Asm., Lift
3	532 19 52-31	Lever Asm., Lift RH
7	580 96 23-01	Grip, Lever
10	532 19 63-14	Spring Torsion
41	532 17 59-94	Nut, Lift Link
87	532 19 42-09	Pin Cotter 7/16 Bow Tie Lock
88	532 41 07-10	Spring Lift Assist
89	819 19 19-12	Washer Clear Zinc

KEY NO.	PART NO.	DESCRIPTION
91	532 40 34-07	Link Lift Susp Mower Rear
96	532 19 52-63	Bushing, Spherical
97	817 00 06-12	Screw 3/8-16 x .75
98	574 82 25-01	Link Lift Susp. Front Mower
114	873 36 07-00	Nut Jam 7/16-20

NOTE: All component dimensions given in U.S. inches
1 inch = 25.4 mm

**TRACTOR - MODEL NO. YT42XLS (96043015300), PRODUCT NO. 960 43 01-53
SEAT ASSEMBLY**



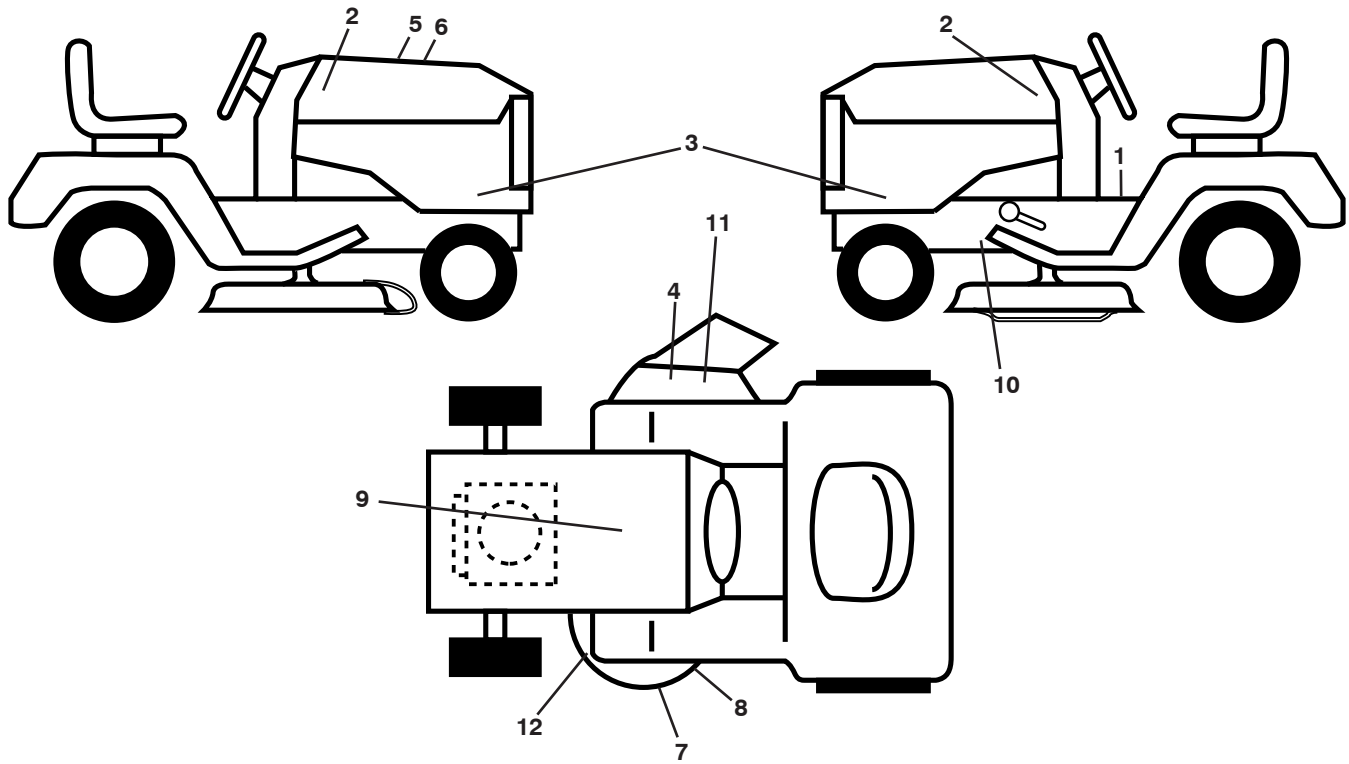
seat-tex_6.5SL_3

KEY NO.	PART NO.	DESCRIPTION
1	532 43 98-22	Seat
2	532 18 01-66	Bracket Pivot Fender
3	532 14 06-75	Strap, Asm Fender
6	873 80 06-00	Nut, Lock w/Ins. 3/8-16 unc
7	532 12 41-81	Spring, Seat Cprsn
8	532 17 18-77	Bolt 5/16-18 unc x 3/4 w/Sems
10	532 19 69-77	Pan, Seat
21	532 17 18-52	Bolt, Shoulder 5/16-18

KEY NO.	PART NO.	DESCRIPTION
37	873 80 05-00	Nut, Lock 5/16-18 unc
40	532 43 98-71	Handle Slide Seat
41	532 19 82-00	Spring Latch Seat
43	874 76 06-12	Bolt Fin Hex 3/8-16 unc x 3/4
44	819 13 38-12	Washer 13/32 x 2-3/8 x 12 Ga.

NOTE: All component dimensions given in U.S. inches
1 inch = 25.4 mm

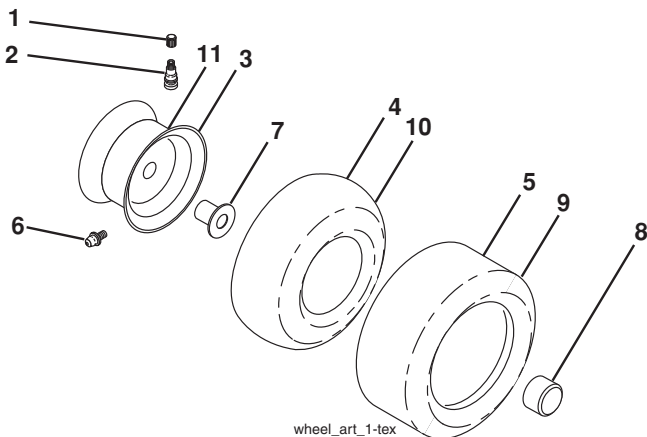
**TRACTOR - MODEL NO. YT42XLS (96043015300), PRODUCT NO. 960 43 01-53
DECALS**



KEY NO.	PART NO.	DESCRIPTION
1	532 41 16-57	Decal, Warning
2	532 42 91-96	Badge, Hood
3	581 56 96-01	Decal, Side Panel
4	539 10 57-43	Decal, No Step
5	532 42 38-29	Decal, Customer Respons.
6	581 55 84-01	Decal, Replacement
7	539 11 32-24	Decal, Warning
8	532 17 05-63	Decal, Mower

KEY NO.	PART NO.	DESCRIPTION
9	532 14 50-05	Decal, Battery Dnge/Poi
10	532 41 86-00	Decal, Pedal
11	532 44 81-21	Decal, HV
12	532 19 87-85	Decal, Deck Sch
--	532 16 69-60	Decal, Bypass
--	532 43 96-81	Pad, Footrest, LH
--	532 43 96-82	Pad, Footrest, RH
--	581 57 11-26	Manual, Oper.'s (English/Spanish)
--	581 57 11-27	Manual, Parts (English/Spanish)

WHEELS AND TIRES



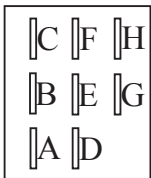
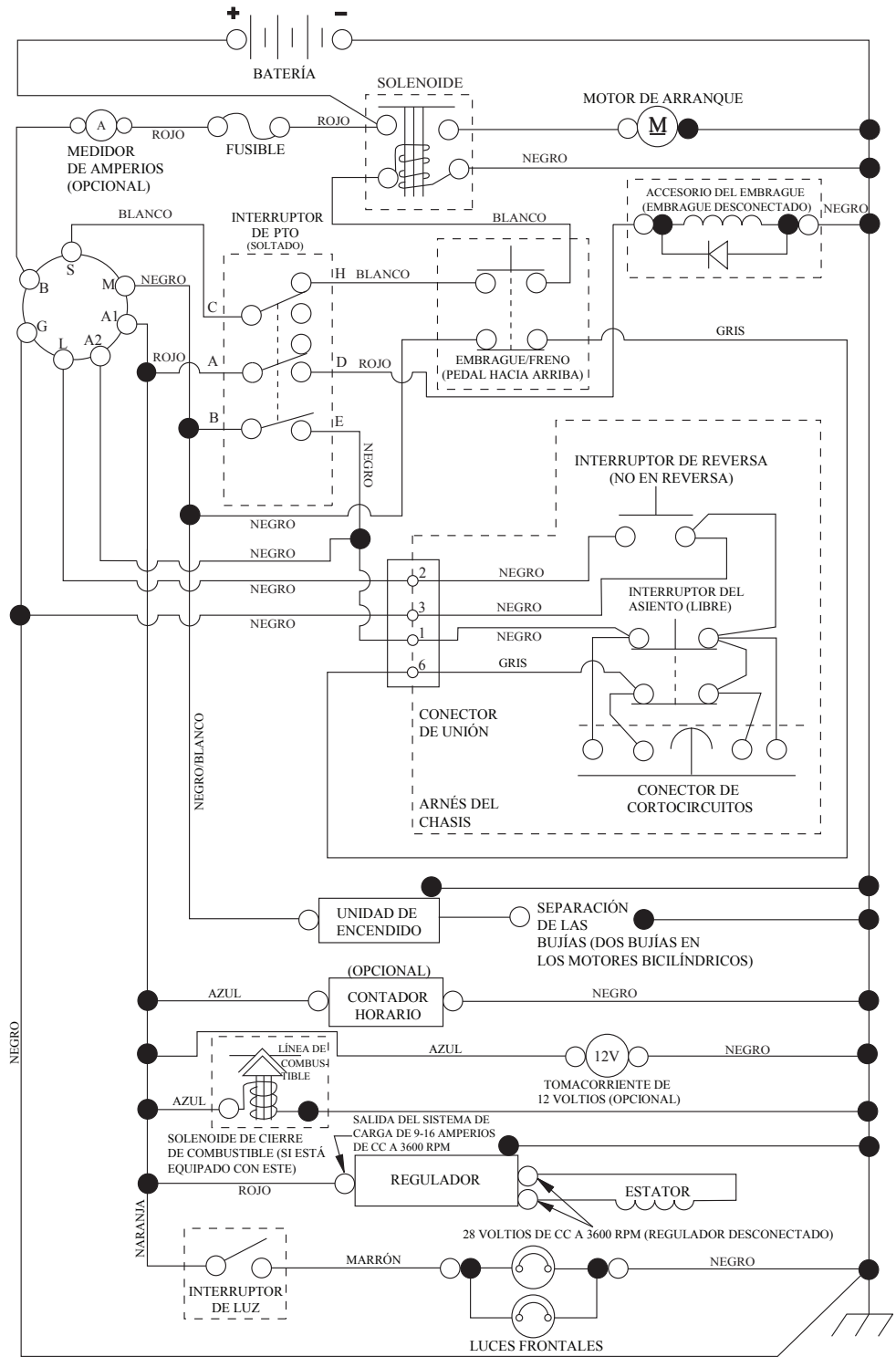
KEY NO.	PART NO.	DESCRIPTION
1	532 05 91-92	Cap Valve Tire
2	532 06 51-39	Stem Valve
3	532 18 18-39	Rim Front Service
4	532 00 81-34	Tube Front (Service Item Only)
5	532 16 10-24	Tire Front 16 x 6.5 Service
6	532 12 49-57	Fitting Grease (Front Wheel Only)
7	532 12 49-59	Bearing Flange (Front Wheel Only)
8	532 17 50-39	Cap Axle Blk 1 50 x 1 00
9	532 17 04-56	Tire R T 20 x 10-8 Service
10	532 12 49-26	Tube Rear (Service Item Only)
11	532 13 83-37	Rim Asm 8" Rear Service
--	532 14 43-34	Sealant, Tire (10 oz. Tube)

NOTE: All component dimensions given in U.S. inches
1 inch = 25.4 mm

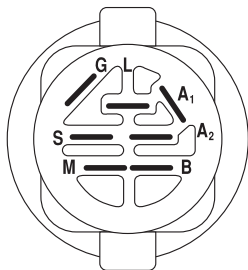
TRACTOR MODELO NO. YT42XLS (96043015300), PRODUCTO NO. 960 43 01-53

DIAGRAMA

SCH12-s

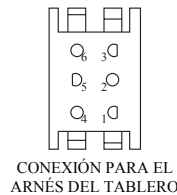


INTERRUPTOR DE PTO (CARA DE ACOPLAMIENTO)



INTERRUPTOR DE ENCENDIDO

POSICIÓN	CIRCUITO «MARCA»
APAGADO	M+G+A1
PONER EN FUNCIONAMIENTO/ANULAR	B+A1
PONER EN FUNCIONAMIENTO	B+A1 L+A2
ARRANCAR	B + S + A1

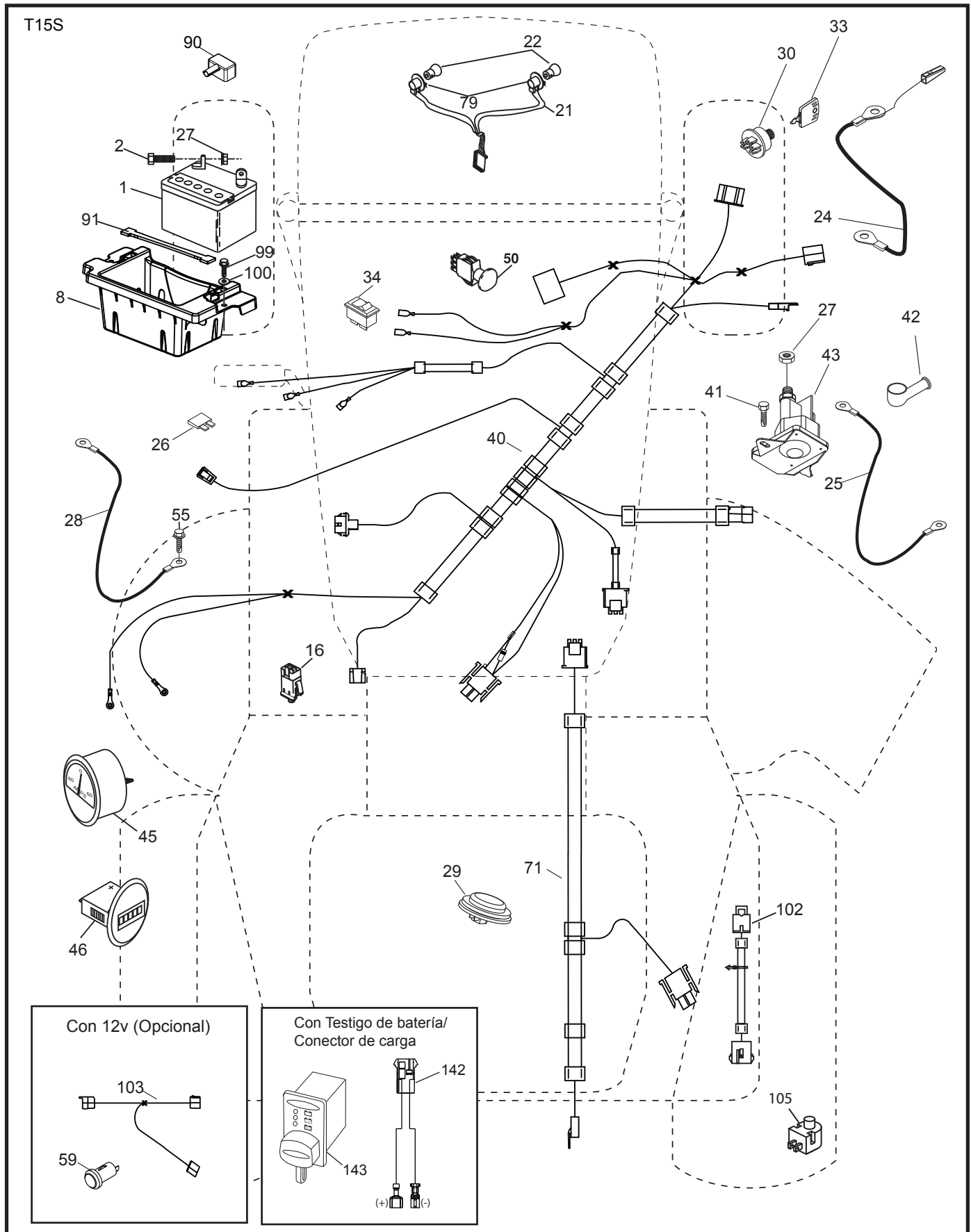


NOTA SOBRE LAS ABRAZADERAS DE AISLAMIENTO DEL CABLEADO: SI SE QUITAN LAS ABRAZADERAS DE AISLAMIENTO DEL CABLEADO PARA HACER EL MANTENIMIENTO DE LA UNIDAD, SE LAS DEBERÁ INSTALAR NUEVAMENTE PARA PROTEGER EL CABLEADO ADECUADAMENTE.



TRACTOR MODELO NO. YT42XLS (96043015300), PRODUCTO NO. 960 43 01-53

DIAGRAMA ELÉCTRICO

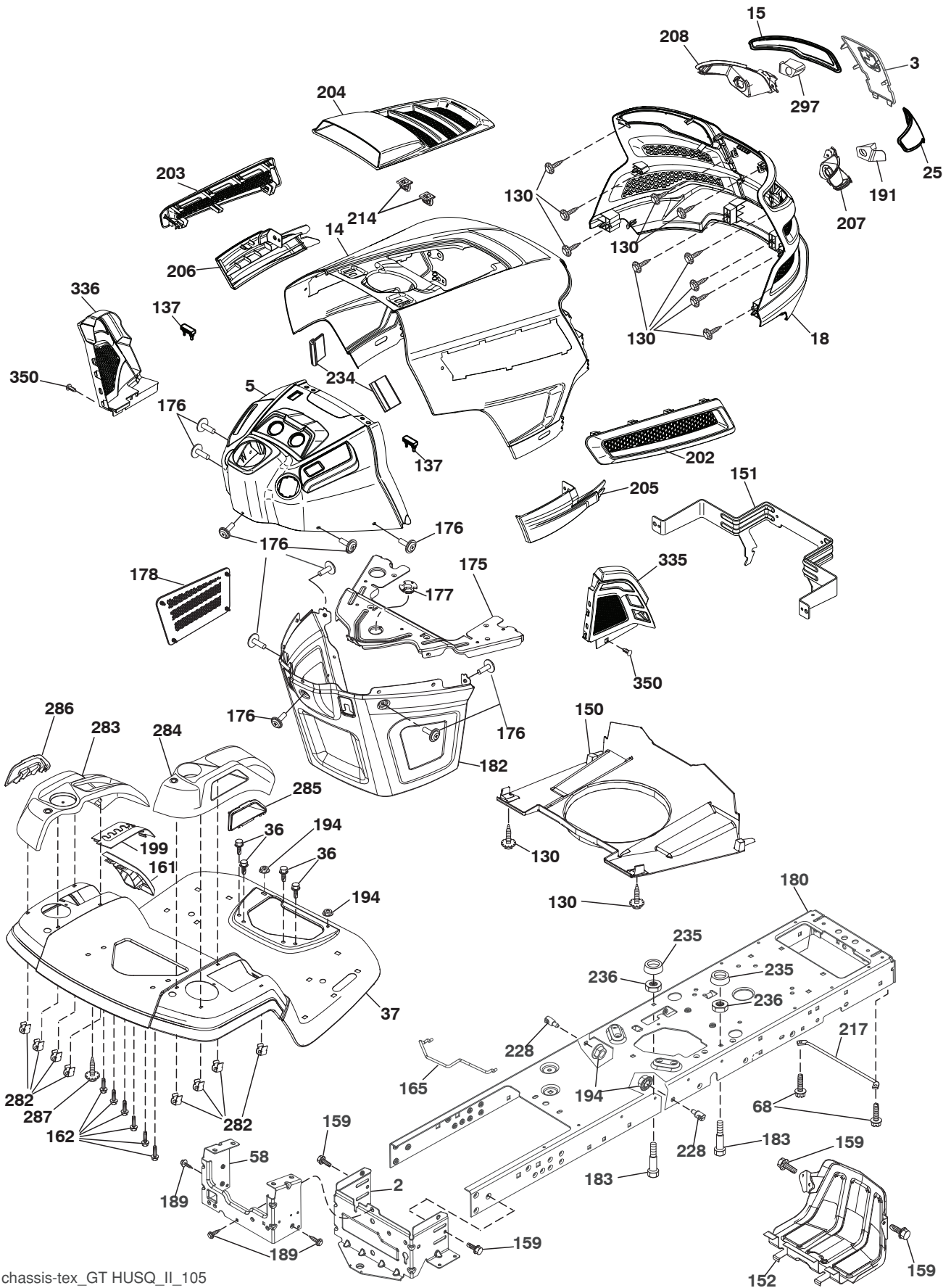


**TRACTOR MODELO NO. YT42XLS (96043015300), PRODUCTO NO. 960 43 01-53
DIAGRAMA ELÉCTRICO**

CÓDIGO NO.	PIEZA NO.	DESCRIPCIÓN
1	532 16 34-65	Batería
2	874 76 04-12	Perno de cabeza hexagonal de 1/4-20 x 3/4
8	532 18 64-91	Caja de la batería
16	532 17 61-38	Interruptor corta corriente a presión
21	532 40 02-52	Cableado del enchufe para la luz
22	532 00 41-52	Bombilla de luz
24	532 40 02-53	Cable
25	532 41 28-95	Cable
26	532 17 51-58	Fusible
27	873 51 04-00	Tuerca hexagonal Keps de 1/4-20 unc
28	532 14 54-91	Cable a tierra
29	532 40 15-45	Interruptor del asiento
30	532 19 33-50	Interruptor de encendido
33	532 41 19-33	Llave/cadena
34	532 11 07-12	Interruptor de luz/de restauración
40	581 58 35-01	Cableado de encendido
41	817 72 04-08	Tornillo
42	532 13 15-63	Cubierta de la terminal
43	532 19 25-07	Solenoides
45	532 42 52-70	Indicador SRVCMNDR
46	532 42 52-71	Indicador HRMTR
50	532 17 46-51	Interruptor
55	817 06 05-12	Tornillo de 5/16-18 x 3/4
59	532 40 03-03	Enchufe, 12V
71	532 19 42-76	Cableado de encendido, chasis
79	532 17 52-42	Enchufe de cierre por torsión del ensamble de la bombilla
90	532 43 53-95	Tapa de los bornes de la batería
91	532 19 02-70	Correa de la batería
99	817 67 04-12	Tornillo 1/4-20 x 3/4
100	819 09 14-16	Arandela
102	532 40 44-54	Cable
103	532 42 17-47	Cable 12V
105	532 40 75-68	Interruptor Reverso
142	532 44 80-57	Cableado de conector de carga

NOTA: Las dimensiones de todos los componentes están expresadas en pulgadas americanas. 1 pulgada = 25,4 mm

TRACTOR MODELO NO. YT42XLS (96043015300), PRODUCTO NO. 960 43 01-53
CHASIS



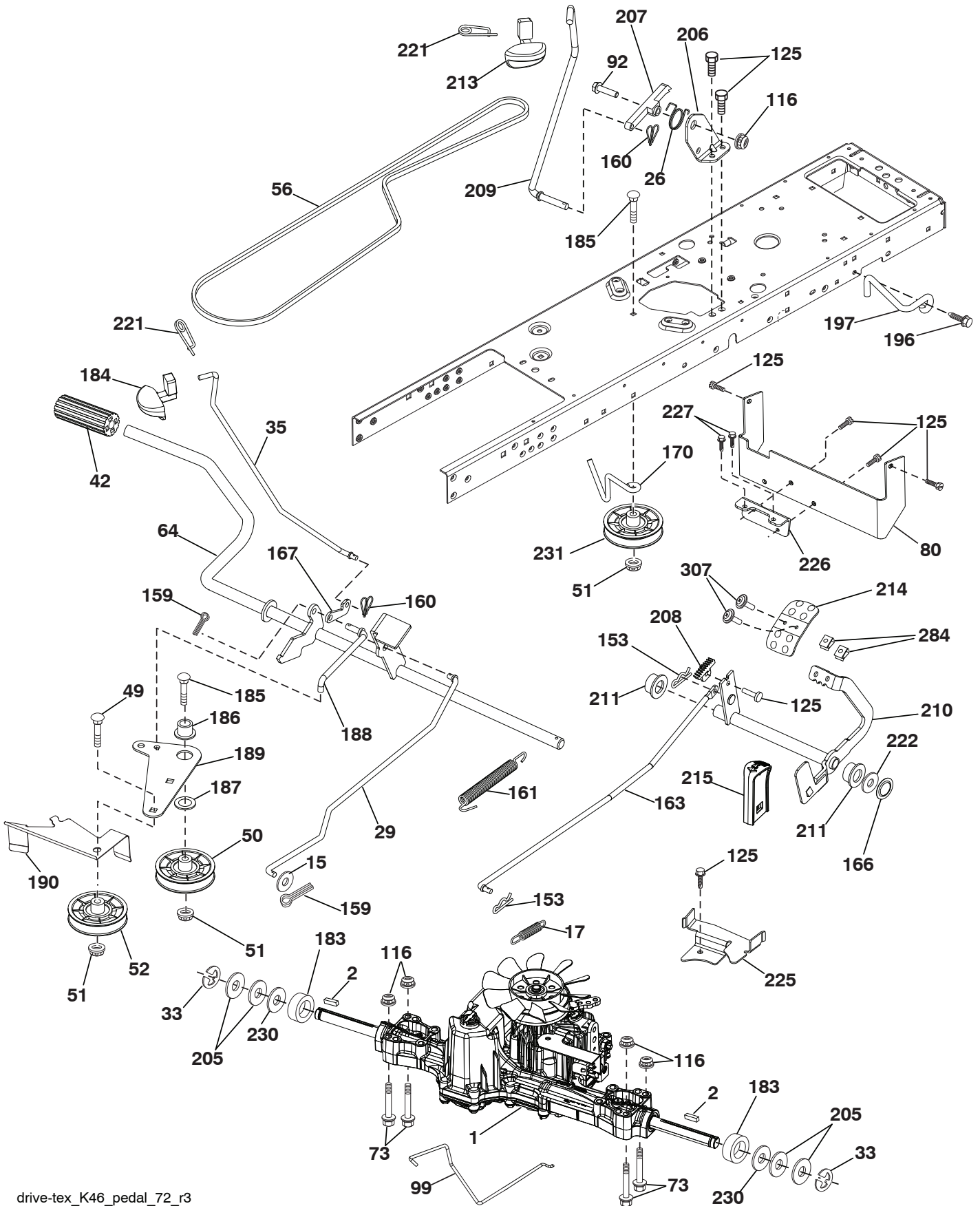
chassis-tex_GT HUSQ_II_105

**TRACTOR MODELO NO. YT42XLS (96043015300), PRODUCTO NO. 960 43 01-53
CHASIS**

CÓDIGO NO.	PIEZA NO.	DESCRIPCIÓN	CÓDIGO NO.	PIEZA NO.	DESCRIPCIÓN
2	532 41 22-82	Barra de tracción	202	532 43 97-28	Salida de Ventilación (LD)
3	532 44 44-81	Aplica Submontaje	203	532 43 97-27	Salida de Ventilación (LI)
5	532 43 74 90	Tablero	204	532 43 57-14	Salida de Ventilación superior
14	532 44 11-77	Capota	205	532 43 97-30	Camisa (LD)
15	532 43 97-33	Lente izquierdo de la parrilla	206	532 43 97-29	Camisa (LI)
18	532 44 06-53	Parrilla	207	532 43 97-34	Bisel derecho
25	532 44 33-85	Lente derecho de la parrilla	208	532 43 97-35	Bisel izquierdo
36	817 06 05-12	Tornillo de 5/16-18 x 3/4	214	532 19 91-45	Cierre
37	532 44 11-78	Guardabarros	217	532 40 91-67	Varilla giratoria
58	532 41 22-80	Soporte de Guardabarros	228	532 19 51-61	Sujetador del travesaño
68	817 49 05-08	Tornillo de 5/16-18 x 1/2	234	532 40 47-42	Cubierta Capota
130	532 41 63-58	Tornillo No. 10 x 0,75	235	532 40 61-29	Separador del guardabarros
137	532 40 75-90	Cubierta Tablero	236	873 93 05-00	Tuerca de presión 5/16-18 unc
150	532 43 97-74	Cubierta	282	532 41 41-10	Pinzas de retención
151	532 43 66-70	Soporte de Capota	283	532 43 98-61	Consola de la plataforma de elevación
152	532 43 98-70	Protector contra oscurecimiento	284	532 43 98-23	Consola cambio
159	817 00 06-12	Tornillo 3/8-16 x 3/4	285	532 41 63-15	Consola inserto (LD)
161	532 43 97-81	Ventanilla de combustible	286	532 41 63-17	Consola inserto (LI)
162	532 14 24-32	Tornillo	287	817 60 04-06	Tornillo 1/4-20 X 3/8
165	532 19 43-30	Soporte de Tanque de Gasolina	297	532 43 74-56	Parte movable reflexivo (LI)
175	532 19 63-04	Travesaño	335	532 44 82-04	Cubierta de Fermeture (LD)
176	532 40 07-76	Tornillo de 10-24 x 5/8	336	532 44 53-09	Cubierta de Fermeture (LI)
177	532 19 52-27	Buje de dirección	350	532 44 51-43	Clip del árbol de navidad
178	532 19 97-82	Red de cargo	--	532 43 18-82	Protector del capillo
180	532 44 55-59	Chasis			
182	532 40 68-59	Tablero inferior			
183	874 52 05-20	Perno 5/16-18 x 1-1/4			
189	817 00 05-12	Tornillo			
191	532 43 74-55	Parte movable reflexivo (LD)			
194	873 90 05-00	Tuerca de presión de 5/16-18			
199	532 41 34-85	Chapa			

NOTA: Las dimensiones de todos los componentes están expresadas en pulgadas americanas. 1 pulgada = 25,4 mm

TRACTOR MODELO NO. YT42XLS (96043015300), PRODUCTO NO. 960 43 01-53
TRANSMISIÓN



drive-tex_K46_pedal_72_r3

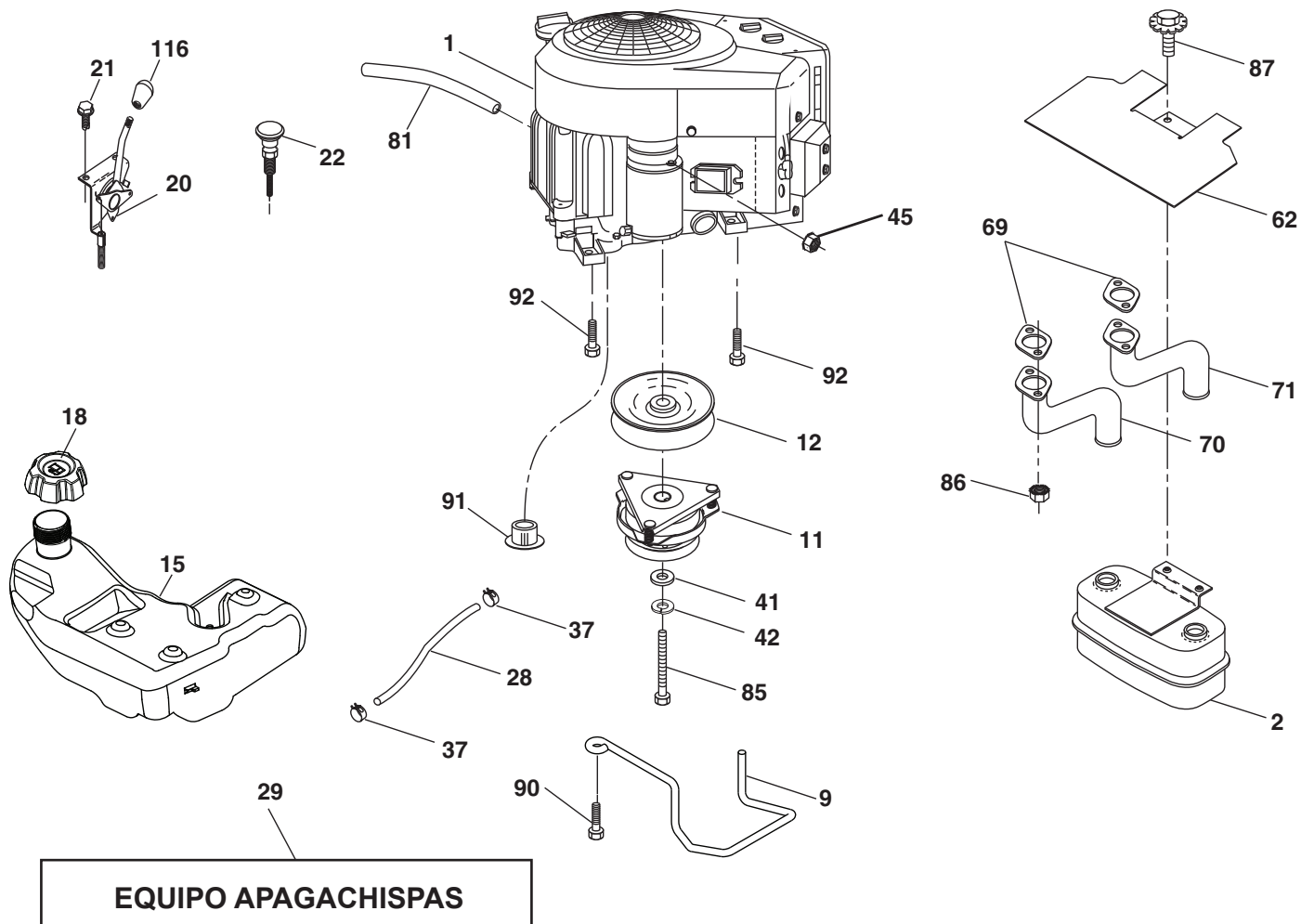
TRACTOR MODELO NO. YT42XLS (96043015300), PRODUCTO NO. 960 43 01-53

TRANSMISIÓN

CÓDIGO NO.	PIEZA NO.	DESCRIPCIÓN	CÓDIGO NO.	PIEZA NO.	DESCRIPCIÓN
1	---	Transeje, TUFFTORQ K46 CR (426121)(Haga el pedido de las piezas al fabricante del transeje.)	187	819 13 32-10	Arandela
			188	532 19 43-23	Mecanismo de desplazamiento de la varilla de mando del embrague
2	532 12 35-83	Llave	189	532 19 43-17	Palanca acodada del mecanismo de desplazamiento
15	819 13 13-16	Arandela 13/32 x 13/16 x calibre 16	190	532 19 43-18	Sujetador de la palanca acodada del mecanismo de desplazamiento
17	532 41 36-78	Resorte de freno	196	817 00 06-16	Tornillo 3/8-16 x 1
26	532 19 96-79	Resorte de travesía	197	532 19 58-04	Mecanismo de desplazamiento
29	532 40 38-06	Varilla del freno	205	532 12 17-48	Tuerca
33	812 00 00-01	Aro "E"	206	532 19 78-67	Soporte de la travesía
35	532 43 54-86	Varilla del freno de mano	207	532 19 78-68	Cierre del control de travesía
42	532 12 48-72	Cubierta del pedal	208	532 19 78-69	Travesía del control del sector
49	872 11 06-14	Perno	209	532 19 95-92	Travesía del control de Rod
50	532 19 43-27	Polea loca plana	210	532 40 09-80	Asm del eje de balancín. Control del pedal
51	873 90 06-00	Tuerca de presión de 3/8-16	211	532 12 01-83	Buje
52	532 19 43-26	Polea loca con ranura en V con un desplazamiento	213	532 40 31-19	Travesía del control de la perilla
56	532 13 09-69	Correa trapezoidal de la transmisión	214	532 41 68-63	Pedal adelante
64	532 19 78-65	Ensamble del eje Control del pedal de freno	215	532 40 17-23	Revés del pedal
73	874 49 05-40	Perno 5/16-18	221	532 40 31-87	Abrazadera de retención del resorte de la manija
80	532 44 06-19	Correa de torsión	222	879 21 20-10	Tuerca 21/32 x 1-1/4 x calibre 10
92	874 76 05-20	Tornillo 5/16-18 x 1/2	225	532 40 33-19	Sujetador de la correa transeje
99	532 41 57-42	Varilla de desviación	226	532 40 15-64	Soporte
116	873 90 05-00	Tuerca 5/16-18	227	817 49 05-12	Tornillo 5/16-18 x 3/4
125	817 00 05-12	Tornillo 5/16-18 x 3/4	230	532 18 89-67	Tuerca
153	532 12 47-88	Retén del resorte	231	532 40 72-87	Polea loca con ranura en V con un desplazamiento
159	876 02 04-12	Pasador de chaveta de 1/8 x 3/4	284	532 41 76-93	Tuerca 1/4-20
160	532 16 94-84	Abrazadera de retención	307	874 18 04-12	Tornillo 1/4-20 x 3/4
161	532 10 57-09	Resorte de retorno del embrague			
163	532 44 82-75	Control del pedal de la barra			
166	532 42 91-64	Tuerca			
167	532 40 52-57	Pestillo del freno de mano			
170	532 41 34-30	Sujetador de la correa central			
183	532 13 70-57	Separador			
184	532 44 14-55	Manija del freno de mano			
185	872 11 06-22	Tornillo 3/8-16 x 2-3/4 G5			
186	532 19 43-21	Espaciador de retención			

NOTA: Las dimensiones de todos los componentes están expresadas en pulgadas americanas. 1 pulgada = 25,4 mm

TRACTOR MODELO NO. YT42XLS (96043015300), PRODUCTO NO. 960 43 01-53
MOTOR



engine-tex_Kawa-2cyl_5_r1

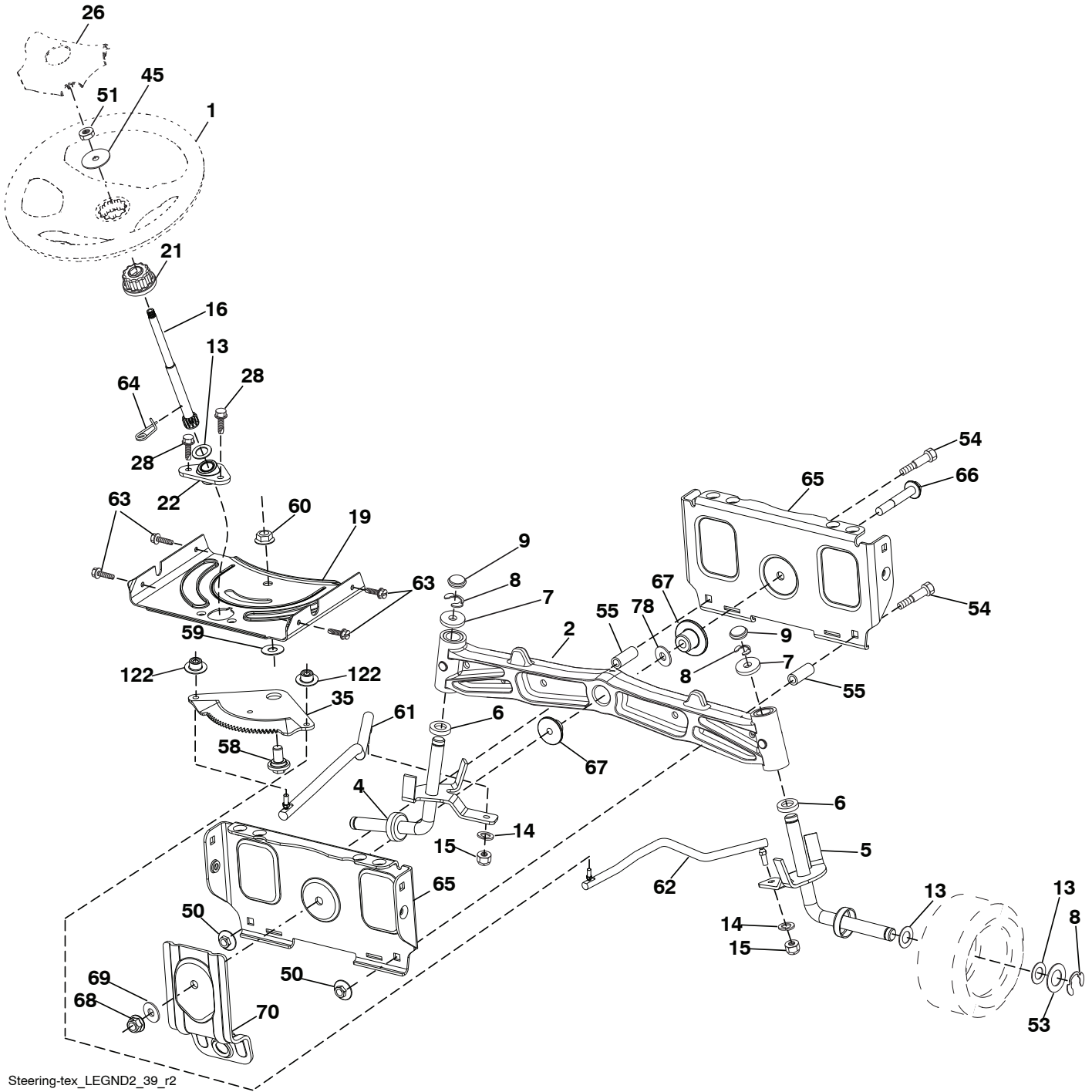
**TRACTOR MODELO NO. YT42XLS (96043015300), PRODUCTO NO. 960 43 01-53
MOTOR**

CÓDIGO NO.	PIEZA NO.	DESCRIPCIÓN
1	— — — — —	Motor KAWA modelo No. FR691-ES15 (581557501) (Haga el pedido de las piezas al fabricante del motor.)
2	532 44 59-62	Silenciador
9	532 19 43-20	Ensamble del sujetador de la correa del motor
11	532 40 00-08	Embrague de eléctrico
12	532 40 50-97	Polea del motor
15	532 43 80-80	Tanque de Gasolina de 4,0R
18	532 43 92-08	Tapa
20	532 42 43-41	Control del regulador
21	532 41 63-58	Tornillo No. 10 x 0,75 con rosca reforzada
22	532 19 15-96	Control de la estrangulación del motor
28	532 40 11-35	Línea de combustible
29	532 13 71-80	Equipo apagachispas
37	532 12 34-87	Abrazadera de la manguera
41	532 12 61-97	Arandela 1-1/2 x 15/32 x .250
42	810 04 07-00	Arandela de presión de 7/16
45	873 51 04-00	Tuerca
62	532 43 40-17	Silenciador con pantalla térmica
69	532 17 81-51	Junta
70	532 42 47-65	Tubo de escape izquierdo
71	532 42 47-66	Tubo de escape derecho
81	532 14 84-56	Tubo de dren del aceite
85	532 17 39-37	Perno de 7/16-20 x 3.75 grado 5
86	532 18 43-62	Tuerca
87	537 17 18-77	Perno de 5/16-18 unc x 1
90	817 00 06-16	Tornillo de 3/8-16 x 1
91	532 18 74-95	Buje
92	817 12 06-16	Tornillo 3/8-16 x 1
116	539 13 26-24	Tacto suave de la perilla

NOTA: Las dimensiones de todos los componentes están expresadas en pulgadas americanas. 1 pulgada = 25,4 mm

Para las piezas del servicio y de recambio del motor, llame el número gratis para su fabricante del motor enumerado abajo:
Kawasaki 1-949-460-5688

TRACTOR MODELO NO. YT42XLS (96043015300), PRODUCTO NO. 960 43 01-53
ENSAMBLE DE LA DIRECCIÓN



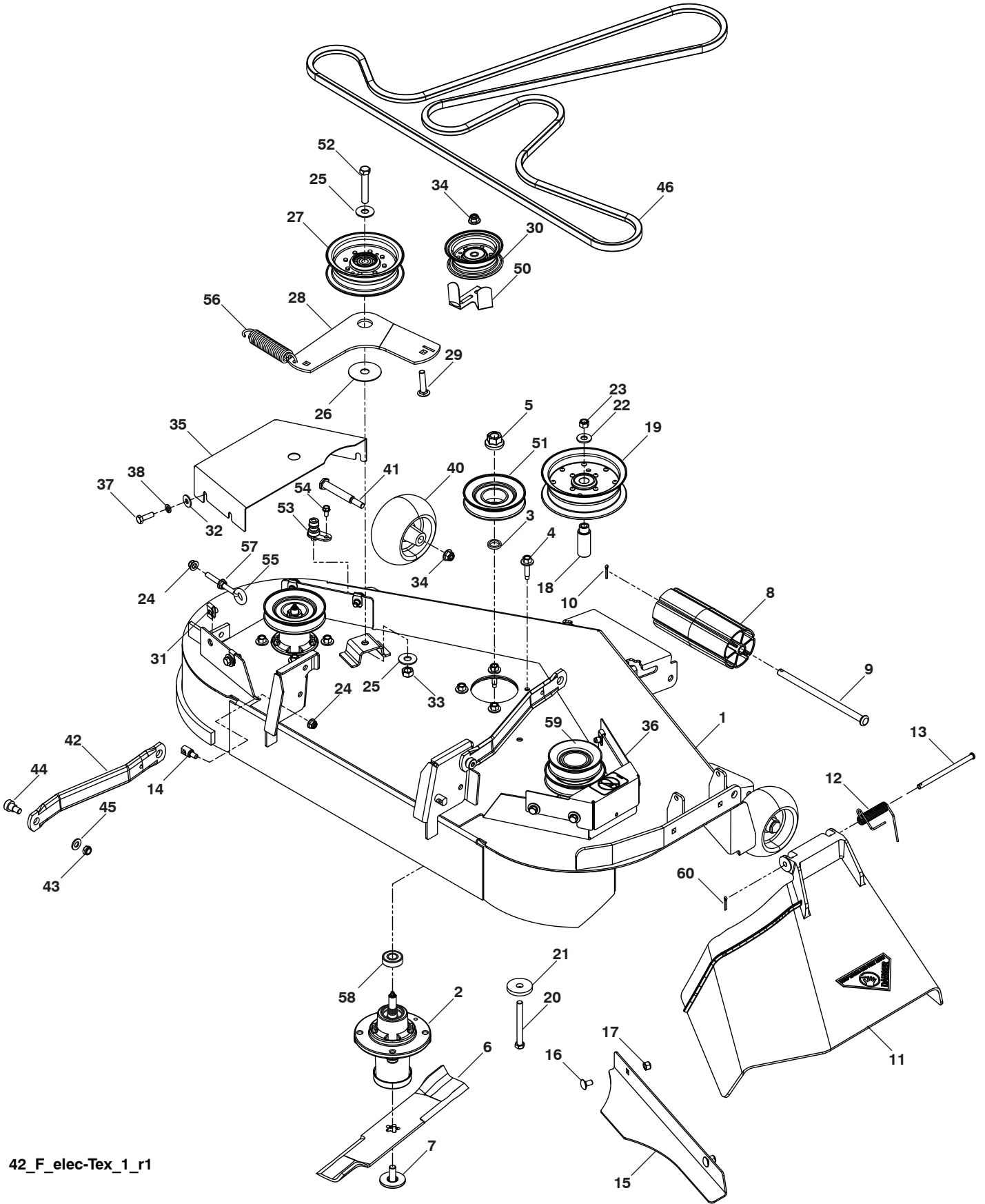
Steering-tex_LEGND2_39_r2

**TRACTOR MODELO NO. YT42XLS (96043015300), PRODUCTO NO. 960 43 01-53
ENSAMBLE DE LA DIRECCIÓN**

CÓDIGO NO.	PIEZA NO.	DESCRIPCIÓN
1	532 43 97-40	Volante de dirección
2	532 19 59-68	Ensamble del eje delantero
4	532 40 30-89	Ensamble del husillo izquierdo
5	532 40 30-90	Ensamble del husillo derecho
6	532 12 49-31	Pista del rodamiento para reforzar el impulso
7	532 12 17-48	Arandela de 25/32 x 1-5/8 calibre 16
8	812 00 00-29	Abrazadera del aro No. T5304-75
9	532 12 12-32	Tapa del husillo
13	532 12 17-49	Arandela de 25/32 x 1-1/4 calibre 16
14	810 04 06-00	Arandela de presión de 3/8
15	873 54 06-00	Tuerca de 3/8-24 unf
16	532 40 82-19	Eje de dirección
19	532 19 47-29	Placa de dirección
21	532 18 67-37	Adaptador del volante de dirección
22	532 42 05-37	Dirección apoyo inferior
26	532 43 97-43	Inserto del volante de dirección
28	817 00 06-12	Tornillo de 3/8-16 x 3/4
35	532 19 47-32	Engranaje del sector de la placa
45	819 18 38-12	Arandela de 9/16 ID x 2-3/8 x calibre 12
50	873 90 06-00	Tuerca 3/8-16 unc
51	873 94 08-00	Contratuerca hexagonal de seguridad de 1/2-20 unf
53	532 18 89-67	Arandela reforzada de 793 x 1637 x 0,060
54	874 76 06-36	Tornillo 3/8-16 unc x 2-1/4
55	532 41 47-36	Tornillo 3/8-16 unc x 2-1/4
58	532 19 47-47	Perno de tope del sector del pivote CFM
59	532 19 47-48	Arandela de empuje del sector de dirección
60	873 97 10-00	Tuerca de 5/8-11
61	532 19 47-40	Barra de acoplamiento izquierda
62	532 19 47-41	Barra de acoplamiento derecha
63	817 00 05-12	Tornillo de 5/16-18 x 3/4
64	532 19 98-49	Abrazadera de retención del resorte de la dirección
65	532 19 47-34	Apoyo del árbol delantero
66	871 02 07-48	Perno de cabeza hexagonal con brida acanalada de 7/16-14 x 3
67	532 19 47-37	Buje PM del eje delantero
68	873 90 07-00	Tuerca de 7/16-14 grado 5
69	532 19 91-62	Arandela de 1,5 x 0,505 x 0,118
70	532 19 61-97	Soporte de la plataforma delantera
78	532 05 70-79	Tuerca
122	532 44 49-62	Tapa

NOTA: Las dimensiones de todos los componentes están expresadas en pulgadas americanas. 1 pulgada = 25,4 mm

TRACTOR MODELO NO. YT42XLS (96043015300), PRODUCTO NO. 960 43 01-53
PLATAFORMA DE LA CORTADORA DE CÉSPED



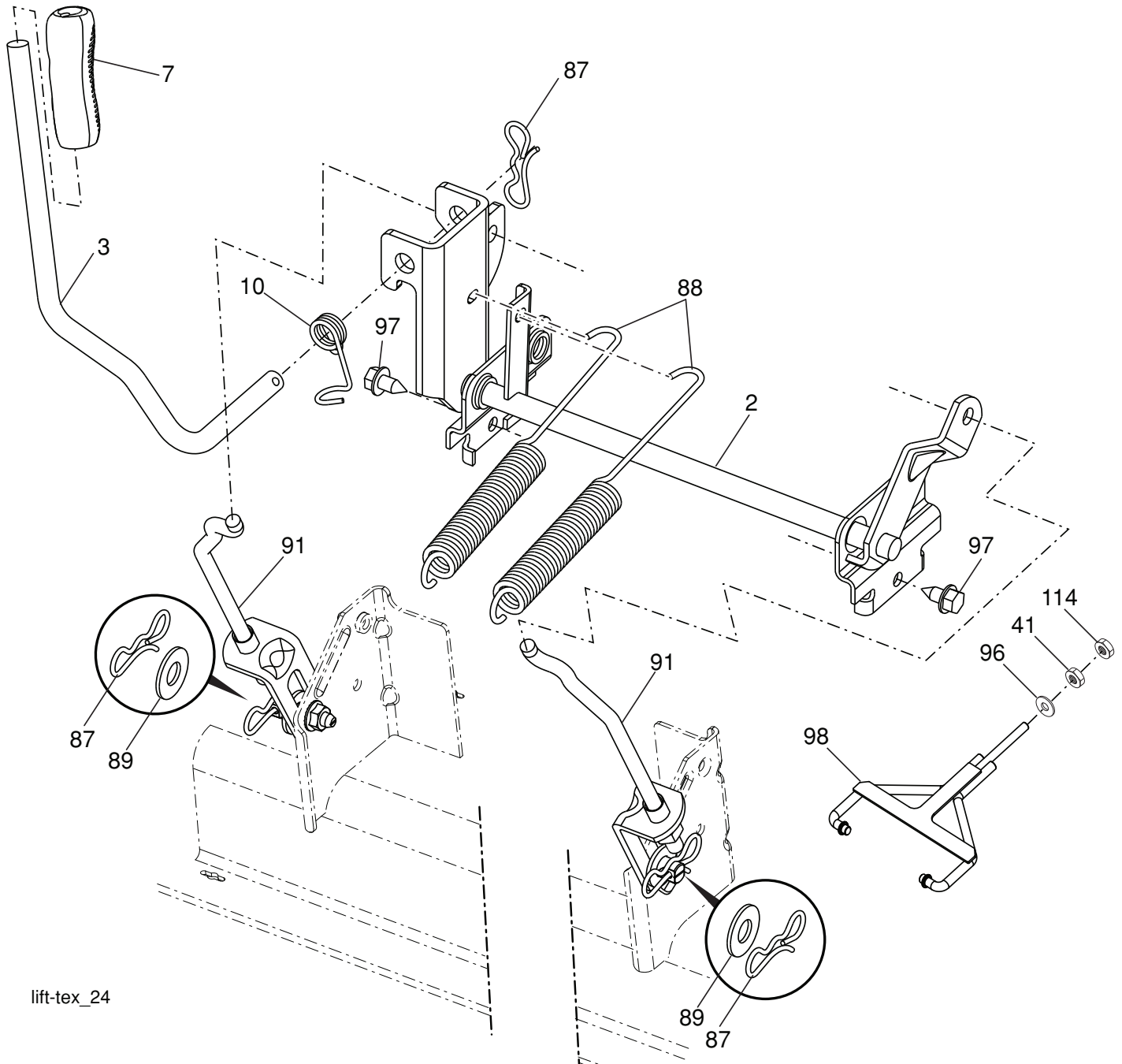
42_F_elec-Tex_1_r1

**TRACTOR MODELO NO. YT42XLS (96043015300), PRODUCTO NO. 960 43 01-53
PLATAFORMA DE LA CORTADORA DE CÉSPED**

CÓDIGO NO.	PIEZA NO.	DESCRIPCIÓN	CÓDIGO NO.	PIEZA NO.	DESCRIPCIÓN
1	574 77 89-01	Cubierta con las etiquetas 42"	33	539 13 20-19	Tuerca, 7/16-14
2	539 11 21-70	Montaje de la cubierta	34	521 99 65-01	Tuerca 3/8-16
3	532 18 76-90	Arandela	35	575 22 47-02	Protectorde la correa (LI)
4	532 17 39-84	Tornillo	36	575 50 03-02	Protectorde la correa (LD)
5	532 40 02-34	Tuerca 9/16	37	539 99 02-09	Hcs 5/16-18 x 1 grado 5
6	539 11 20-78	Cuchilla, 14-5/8"	38	539 99 01-87	Arandela 5/16
7	539 10 75-22	Perno, 7/16	40	532 13 39-57	Rueda, calibrador
8	532 17 60-66	Rodillo delantero	41	532 19 34-06	Perno
9	532 17 91-27	Soporte, Rodillo delantero	42	532 19 51-85	Suspensión posterior del brazo
10	539 19 42-08	Detenedor del clip	43	539 20 02-82	Tuerca, 3/8-16
11	532 11 07-31	Canal inclinado de la descarga - 42"	44	539 11 36-21	Sb 3/8-16 x 3/8 Skt Hd
12	532 11 07-35	Resorte - torsión	45	539 99 01-22	Arandela, 3/8
13	532 11 07-36	Clavija de horquilla 5/16 x 5.19	46	574 84 56-01	Correa, 42"
14	532 19 51-61	Espárrago	50	575 22 43-01	Protector, correa
15	539 11 24-13	Placa	51	575 22 44-01	Polea más ociosa
16	539 99 07-99	Rhsnb 5/16-18 x 5/8 grado 5	52	539 10 48-70	Hcs 7/16-14 x 2-1/2 grado 5
17	539 99 07-17	Tuerca 5/16-18	53	532 41 55-98	Puerto De Lavado De La Cubierta
18	575 22 45-01	Buje más ocioso	54	539 10 84-61	Perno, 1/4-20 x 1/2
19	539 13 27-28	Polea	55	539 11 55-74	Perno de argolla 5/16 x 3-1/2
20	539 10 82-71	Hcs 3/8-16 x 3-1/2 grado 5	56	539 10 68-50	Ressorte
21	539 10 65-04	Arandela	58	532 11 04-85	Rodamiento de bolitas
22	539 99 05-17	Arandela, 3/8	59	575 41 62-01	Polea
23	539 97 69-79	Tuerca 3/8-16	60	532 16 94-84	Detenedor del clip
24	539 11 28-99	Tuerca 5/16-18	--	532 41 64-05	Accesorio del conexión
25	539 10 48-64	Arandela, 7/16	--	532 44 53-57	Cubierta del cortacéspedes completa
26	532 17 85-15	Arandela			
27	532 19 61-04	Polea más ociosa			
28	574 82 71-02	Brazo de la polea			
29	539 99 09-23	Rhsnb 3/8-16 x 1-3/4 grado 5			
30	532 17 79-68	Polea más ociosa			
31	539 10 47-63	Detenedor 5/16			
32	539 99 06-92	Arandela, 5/16			

NOTA: Las dimensiones de todos los componentes están expresadas en pulgadas americanas. 1 pulgada = 25,4 mm

TRACTOR MODELO NO. YT42XLS (96043015300), PRODUCTO NO. 960 43 01-53
ELEVACIÓN DE LA CORTADORA DE CÉSPED



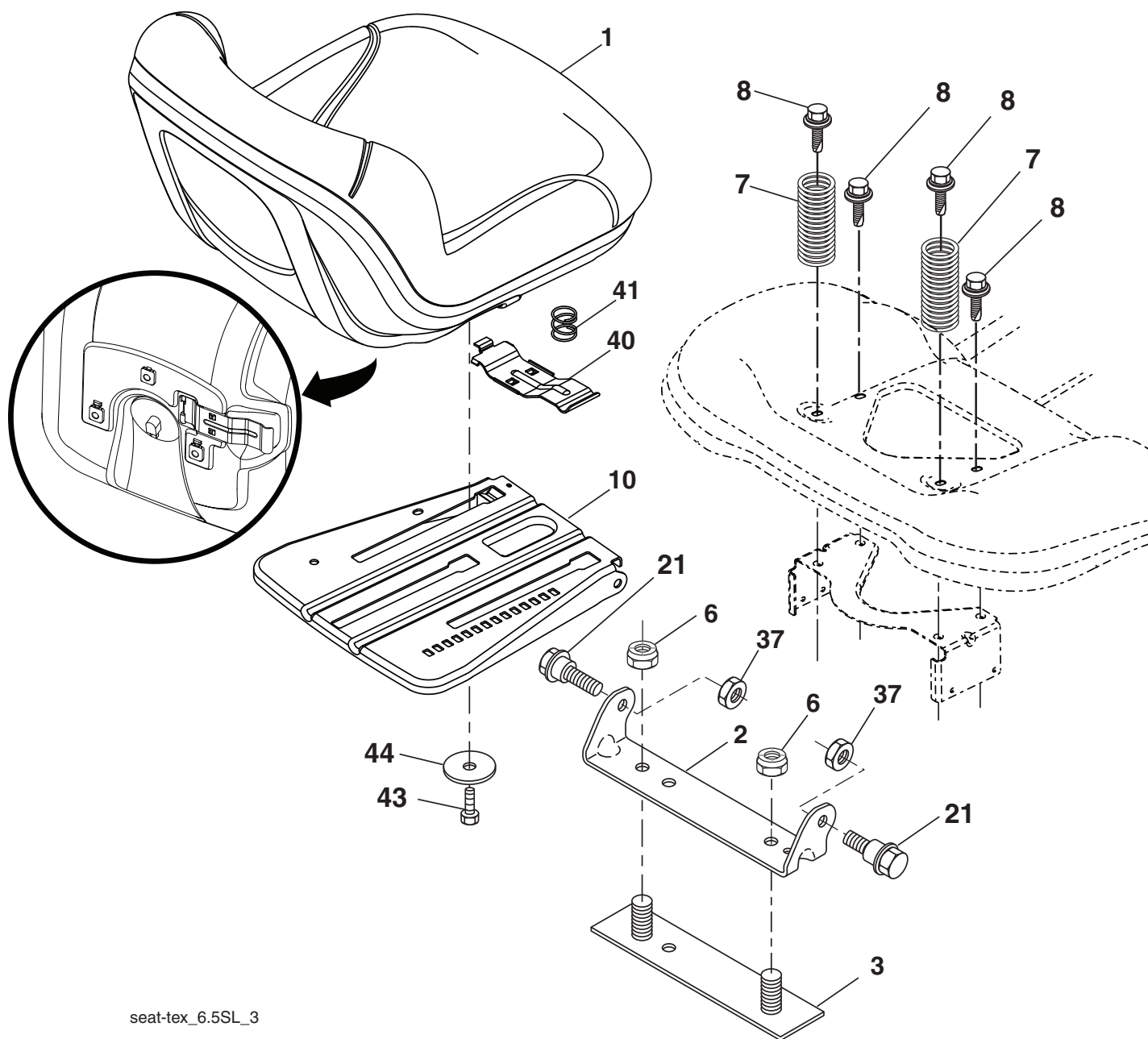
lift-tex_24

CÓDIGO NO.	PIEZA NO.	DESCRIPCIÓN
2	532 42 20-27	Ensamble del eje de la elevación
3	532 19 52-31	Ensamble de la palanca de elevación derecha
7	580 96 23-01	Mango de la palanca
10	532 19 63-14	Resorte de torsión
41	532 17 59-94	Tuerca
87	532 19 42-09	Pasador de chaveta de 7/16 con bloqueo en forma de mariposa
88	532 41 07-10	Resorte de ayuda de la elevación
89	819 19 19-12	Arandela de zinc transparente

CÓDIGO NO.	PIEZA NO.	DESCRIPCIÓN
91	532 40 34-07	Ensamble del acoplamiento
96	532 19 52-63	Elevación trasera
97	817 00 06-12	Buje
98	574 82 25-01	Tornillo de 3/8-16 x 0,75
114	873 36 07-00	Acoplamiento frontal de la elevación de la cortadora de césped
		Tuerca 7/16-20

NOTA: Las dimensiones de todos los componentes están expresadas en pulgadas americanas. 1 pulgada = 25,4 mm

**TRACTOR MODELO NO. YT42XLS (96043015300), PRODUCTO NO. 960 43 01-53
ENSAMBLE DEL ASIENTO**



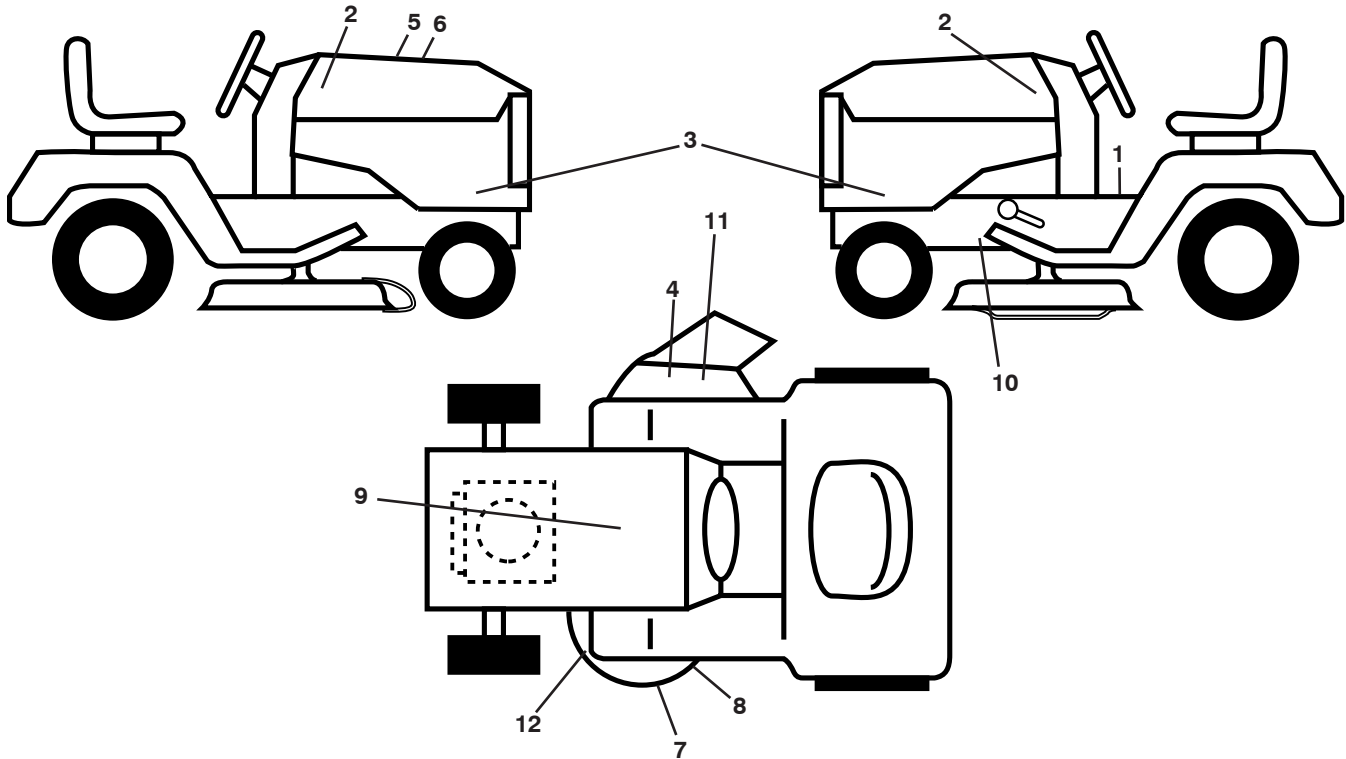
seat-tex_6.5SL_3

CÓDIGO NO.	PIEZA NO.	DESCRIPCIÓN
1	532 43 98-22	Asiento
2	532 18 01-66	Soporte pivotante del guardabarros
3	532 14 06-75	Conector del ensamble del guardabarros
6	873 80 06-00	Tuerca de presión c/aislamiento de 3/8-16 unc
7	532 12 41-81	Resorte del asiento
8	532 17 18-77	Perno de 5/16" unc x 3/4"
10	532 19 69-77	Bandeja del asiento
21	532 17 18-52	Perno de tope de 5/16-18

CÓDIGO NO.	PIEZA NO.	DESCRIPCIÓN
37	873 80 05-00	Tuerca de presión de 5/16-18 unc
40	532 43 98-71	Manija para deslizar el asiento
41	532 19 82-00	Resorte para trabar el asiento
43	874 76 06-12	Perno de cabeza hexagonal con aleta de 3/8-16 unc x 3/4
44	819 13 38-12	Arandela de 13/32 x 2-3/8 calibre 12

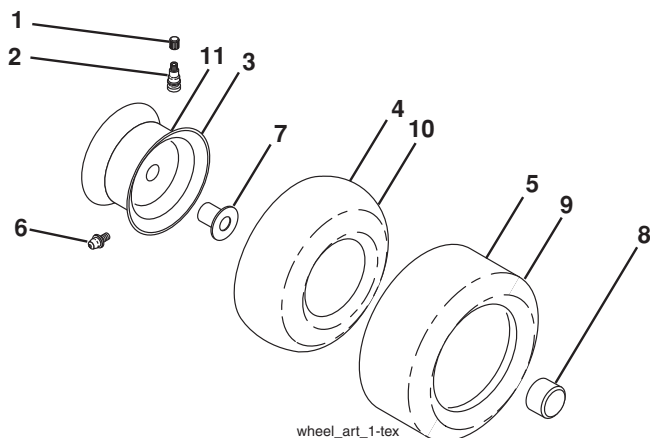
NOTA: Las dimensiones de todos los componentes están expresadas en pulgadas americanas. 1 pulgada = 25,4 mm

CALCOMANÍAS



CÓDIGO NO.	PIEZA NO.	DESCRIPCIÓN	CÓDIGO NO.	PIEZA NO.	DESCRIPCIÓN
1	532 41 16-57	Calcomanía, Advertencia	10	532 41 86-00	Calcomanía de pedal
2	532 42 91-96	Calcomanía para el insignia	11	532 44 81-21	Calcomanía reforzado de cubierta
3	581 56 96-01	Calcomanía para el panel lateral	12	532 19 87-85	Calcomanía diagrama de la cubierta
4	539 10 57-43	Calcomanía ningún paso	--	532 16 69-60	Calcomanía para la desviación
5	532 42 38-29	Calcomanía del cliente	--	532 43 96-81	Fofo del apoyo para los pies (LD)
6	581 55 84-01	Calcomanía de reemplazo	--	532 43 96-82	Fofo del apoyo para los pies (LI)
7	539 11 32-24	Calcomanía, Advertencia	--	581 57 11-26	Manual del operario (Inglés/Espanhol)
8	532 17 05-63	Calcomanía de advertencia	--	581 57 11-27	Manual del repuestos (Inglés/Espanhol)
9	532 14 50-05	Calcomanía de Peligro/Punto de interconexión			

RUEDAS Y NEUMÁTICOS



CÓDIGO NO.	PIEZA NO.	DESCRIPCIÓN
1	532 05 91-92	Tapa de la válvula del neumático
2	532 06 51-39	Vástago de la válvula
3	532 18 18-39	Ensamble de las llantas delanteras
4	532 00 81-34	Cámara delantera
5	532 16 10-24	Neumático delantero
6	532 12 49-57	Accesorio para engrasar (solo para la rueda delantera)
7	532 12 49-59	Rodamiento de la brida (solo para la rueda delantera)
8	532 17 50-39	Tapa del eje (solo para la rueda delantera)
9	532 17 04-56	Neumático trasero
10	532 12 49-26	Cámara trasera (Mantenimiento sólo)
11	532 13 83-37	Ensamble trasero de la llanta
--	532 14 43-34	Sellador para neumáticos (tubo de 10 onzas [283 gr])

NOTA: Las dimensiones de todos los componentes están expresadas en pulgadas americanas. 1 pulgada = 25,4 mm

NOTES/AVISO

09/26/2012 CL