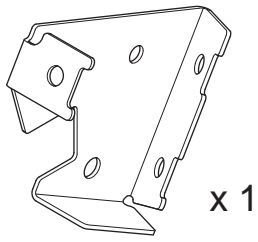




Assembly Instruction
Controls Road Kit
500-series



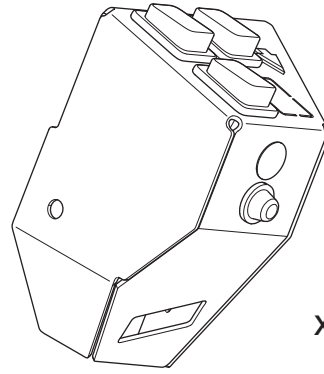
579 38 49-01



x 1



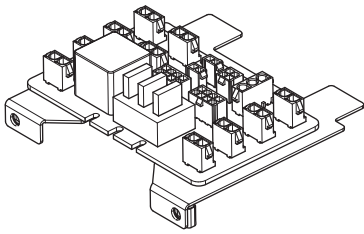
M8x16
x 3



x 1



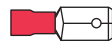
x 3



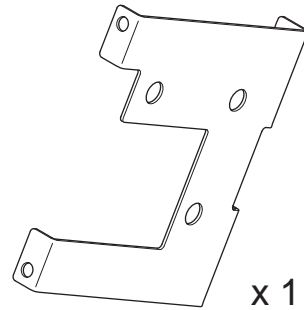
x 1



x 2



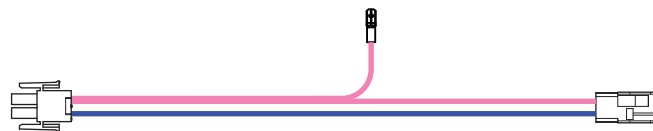
x 1



x 1



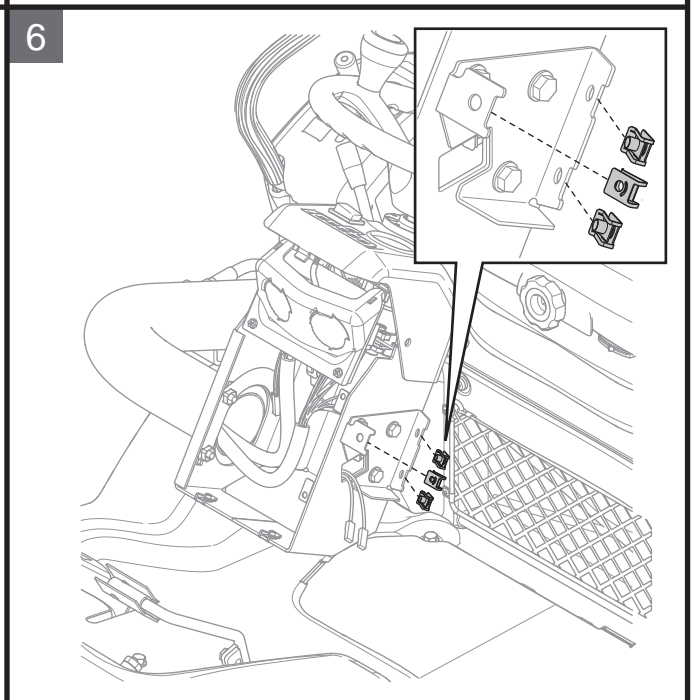
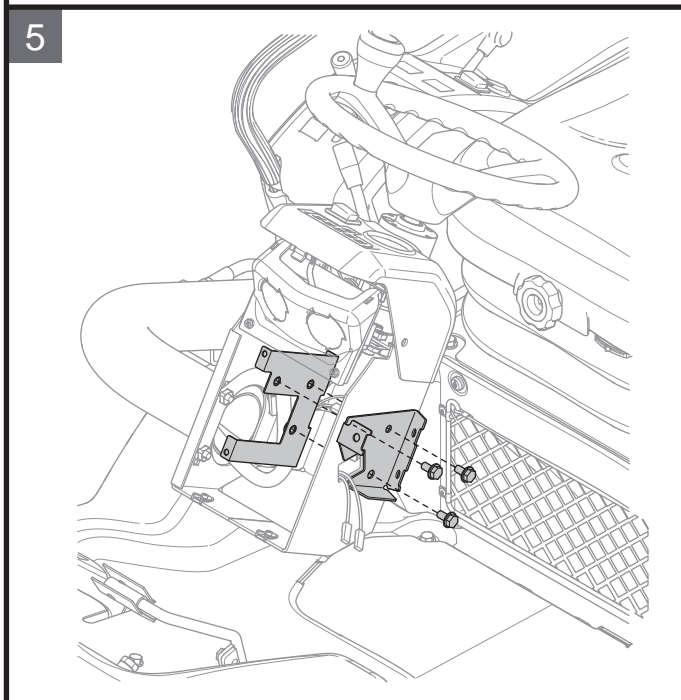
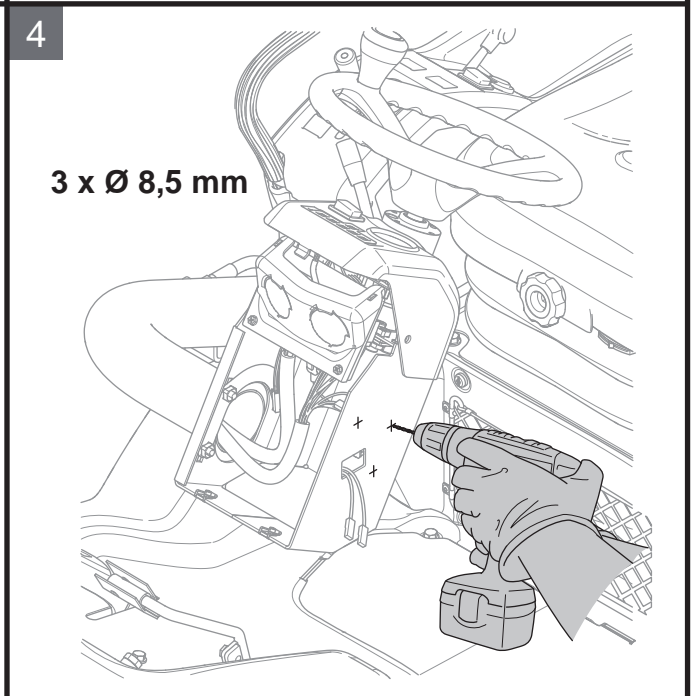
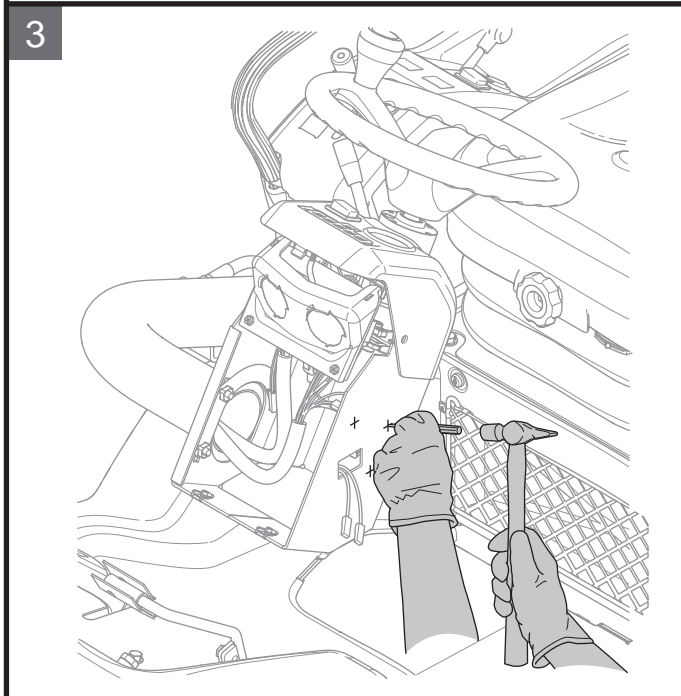
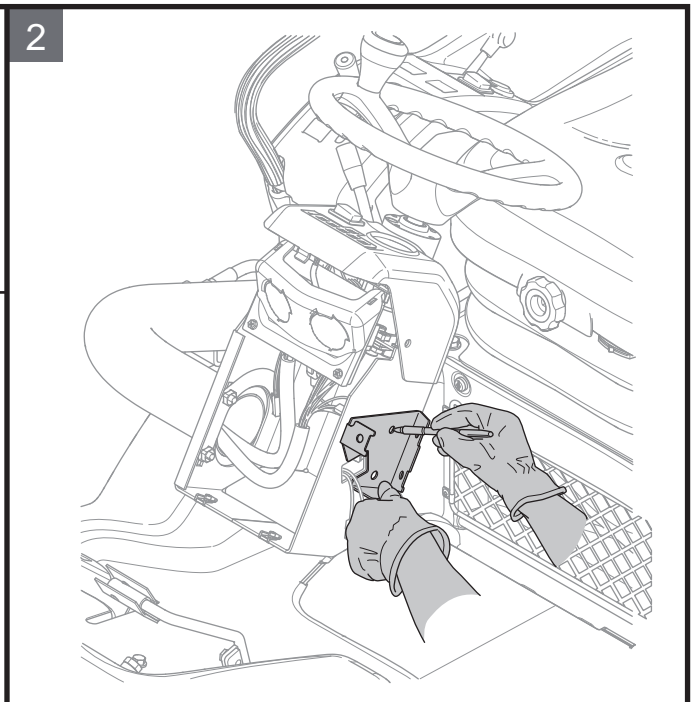
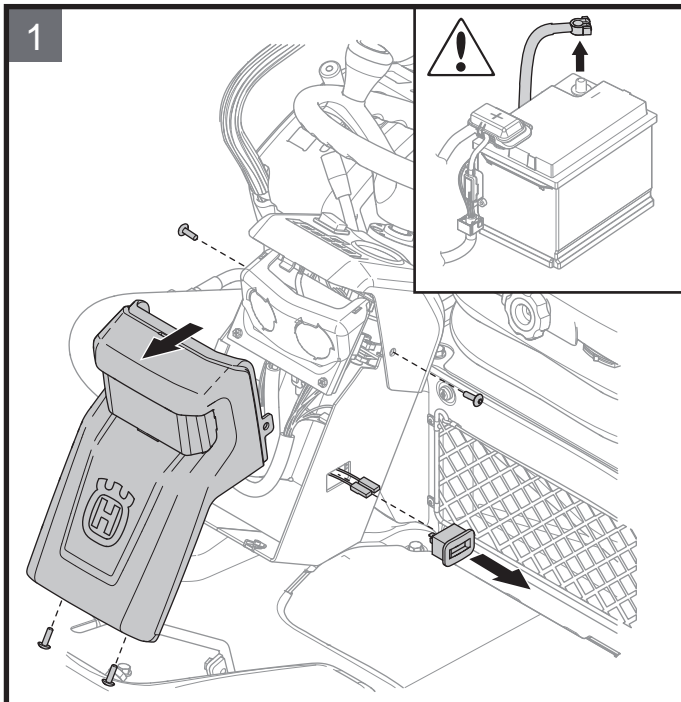
x 1

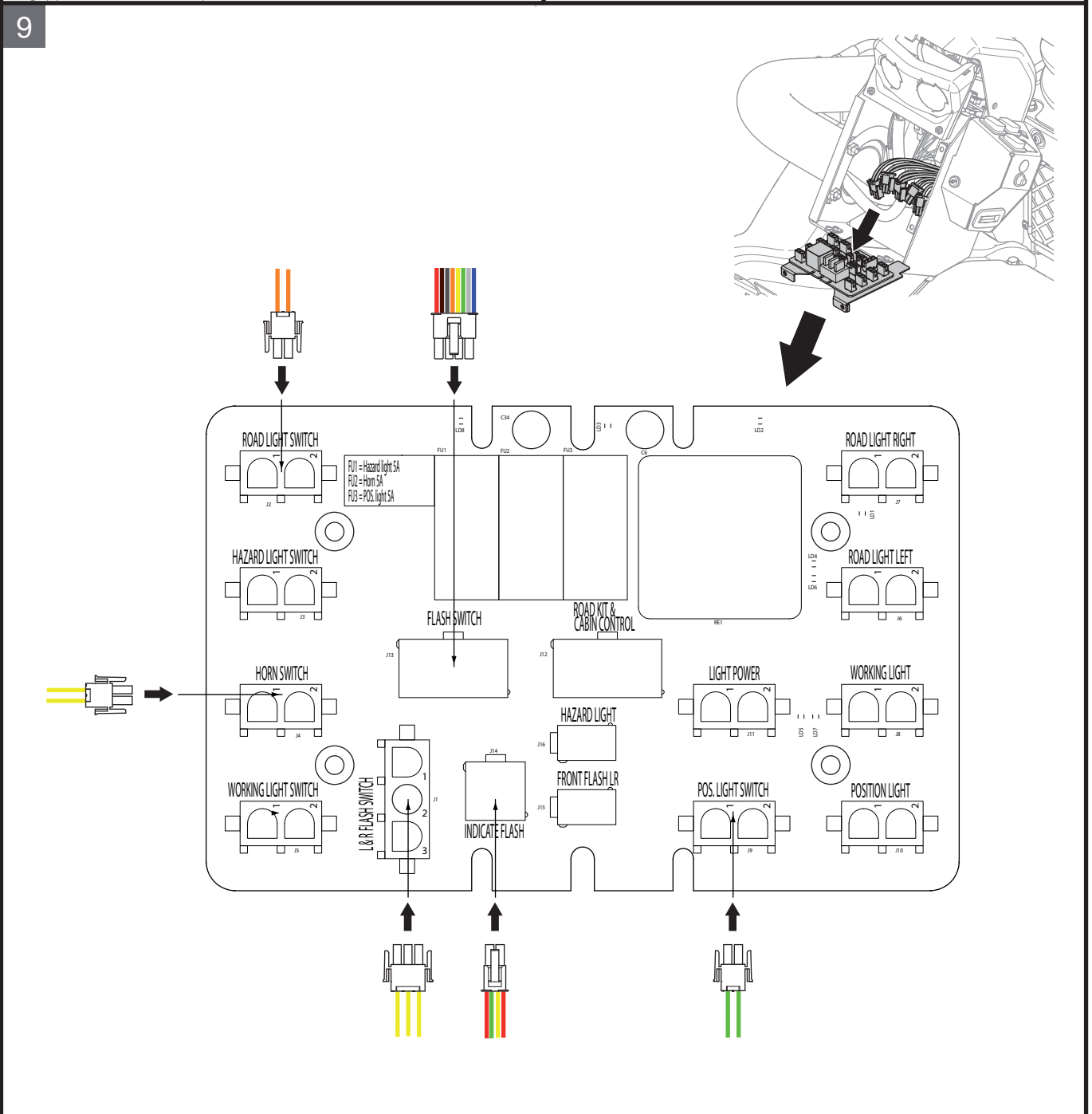
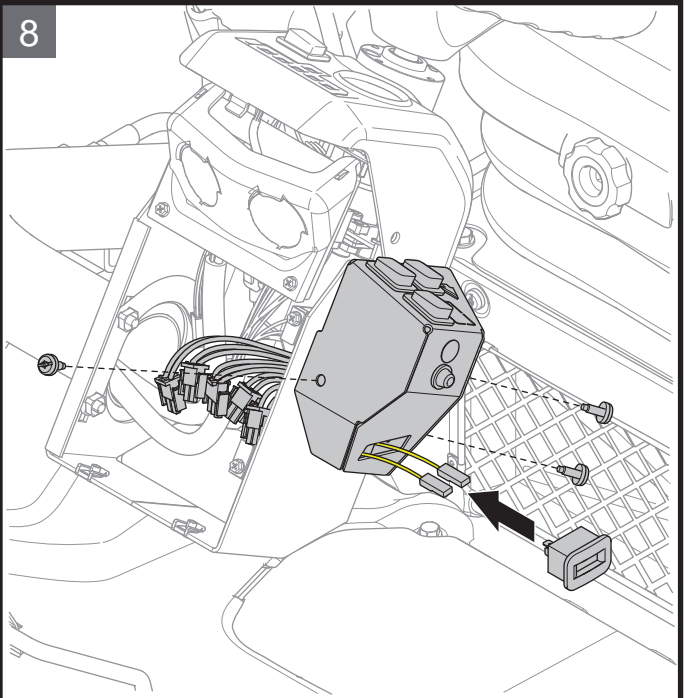
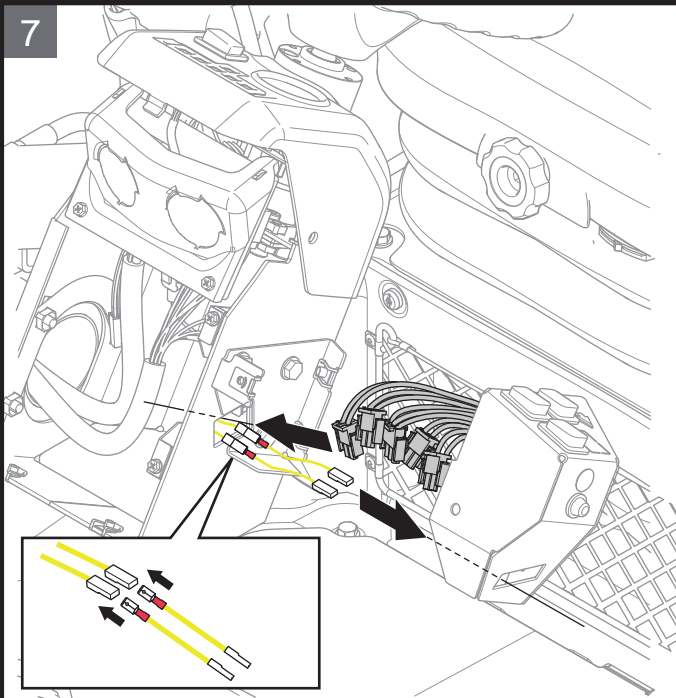


x 1

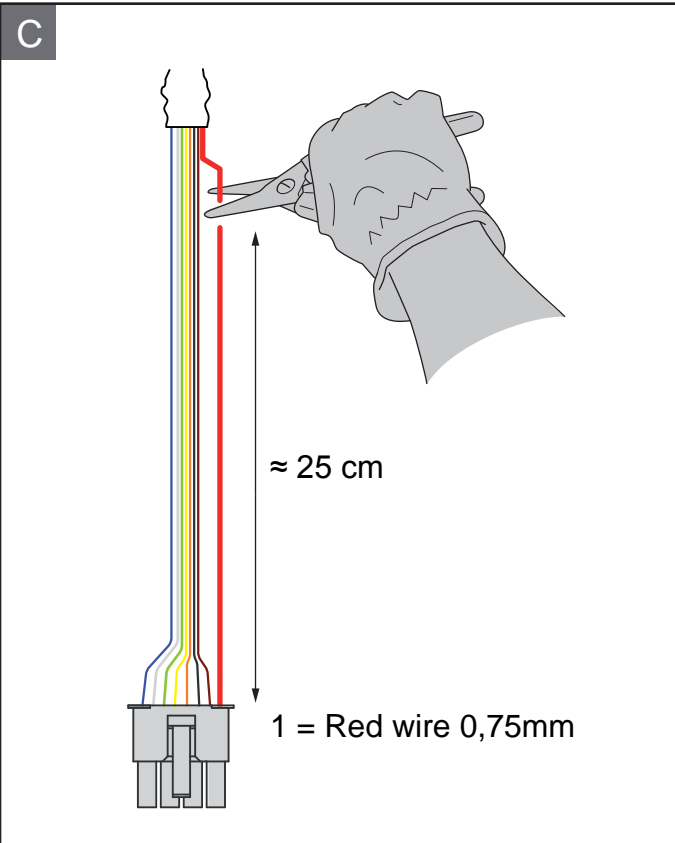
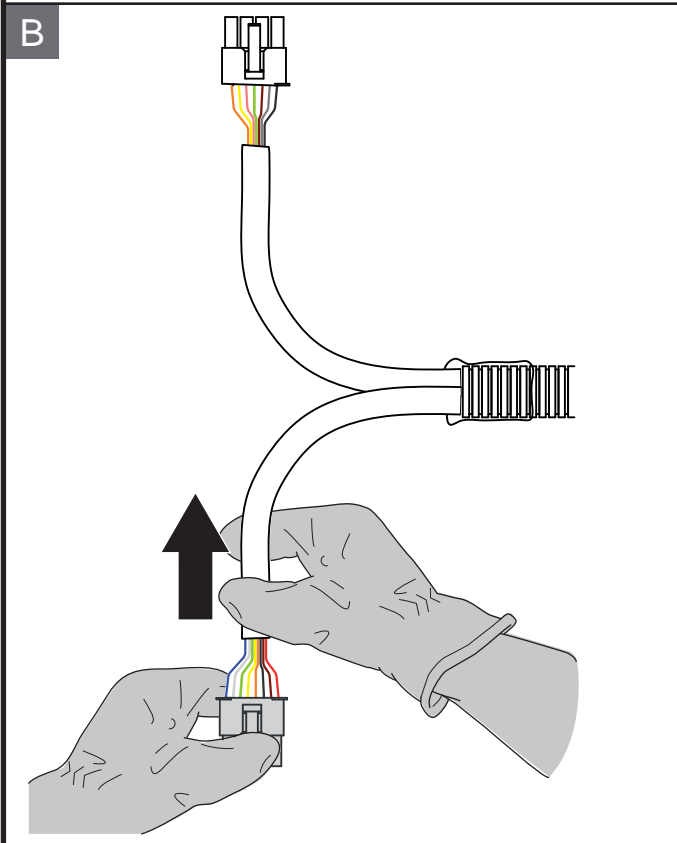
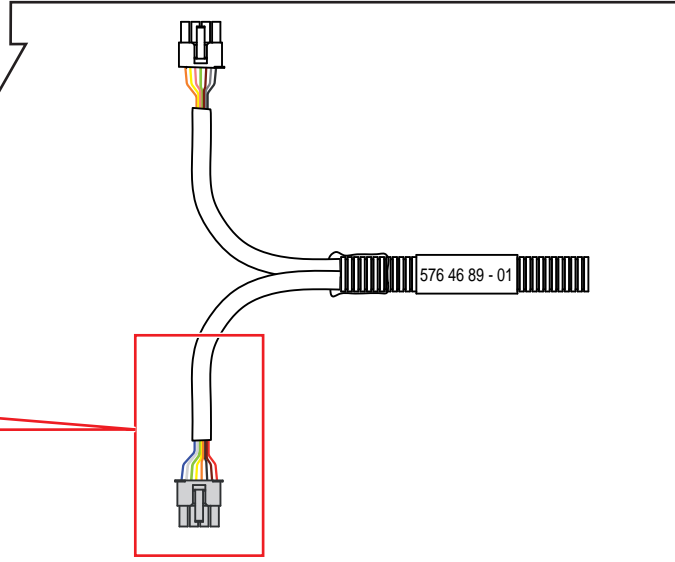
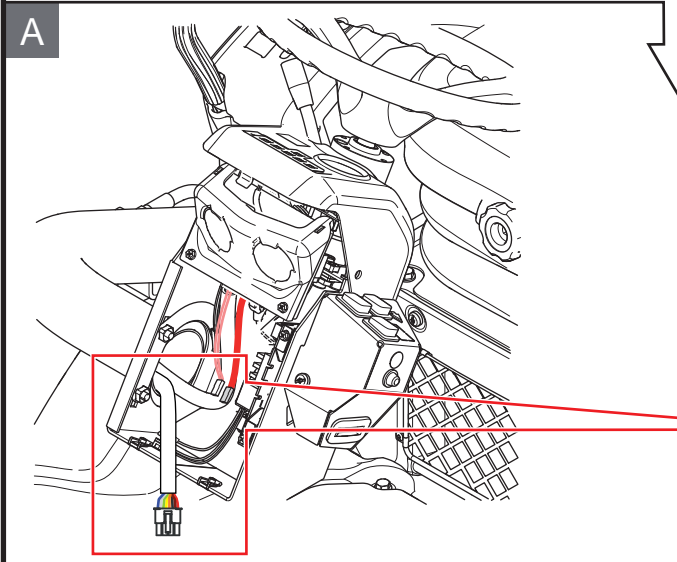
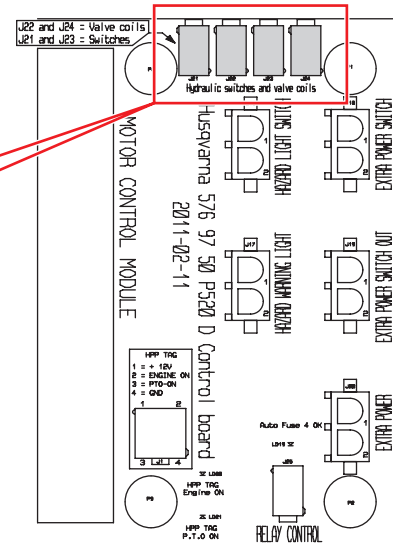
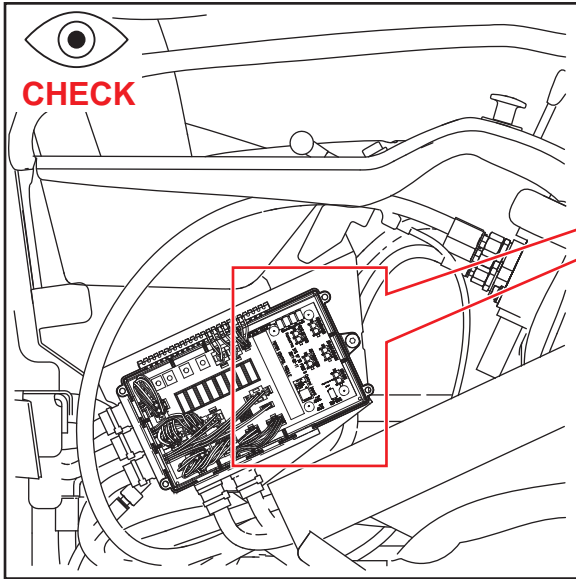


x 2

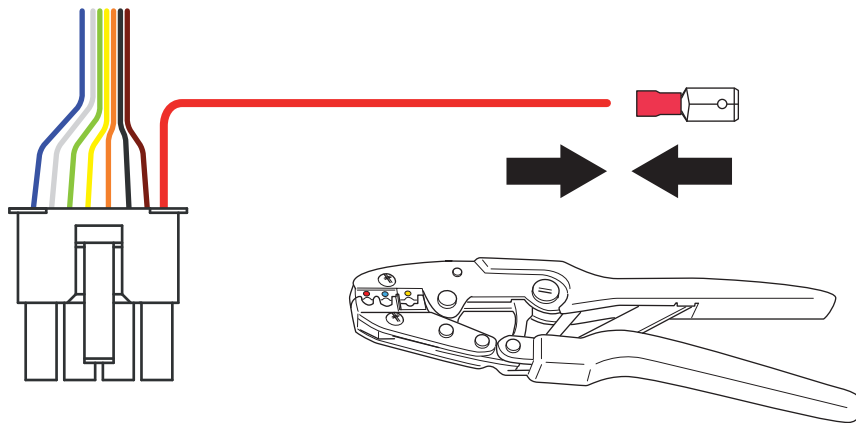




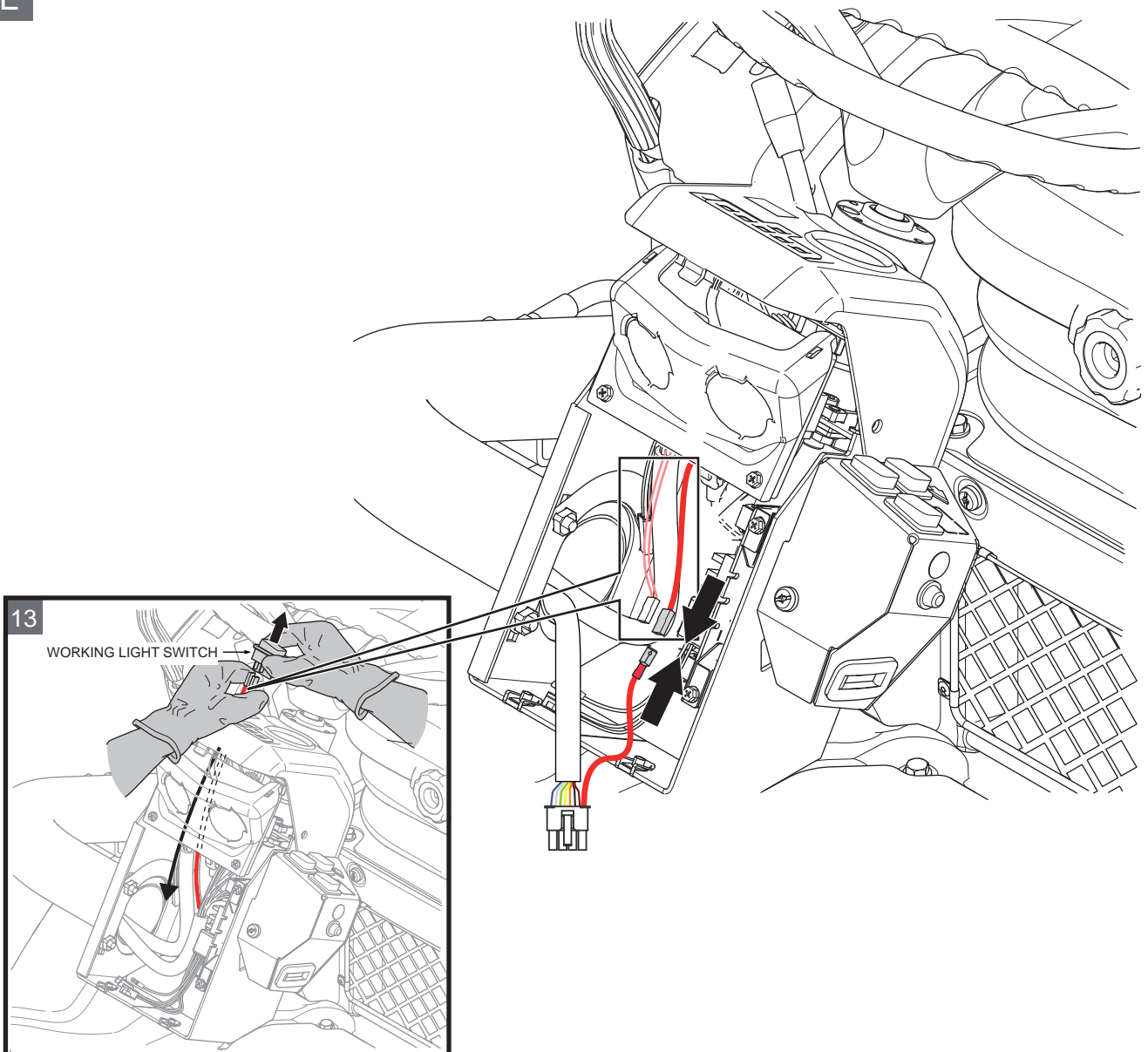
IF THESE 4 CONNECTIONS EXIST ON THE CIRCUIT BOARD – FOLLOW THESE STEPS



D



E

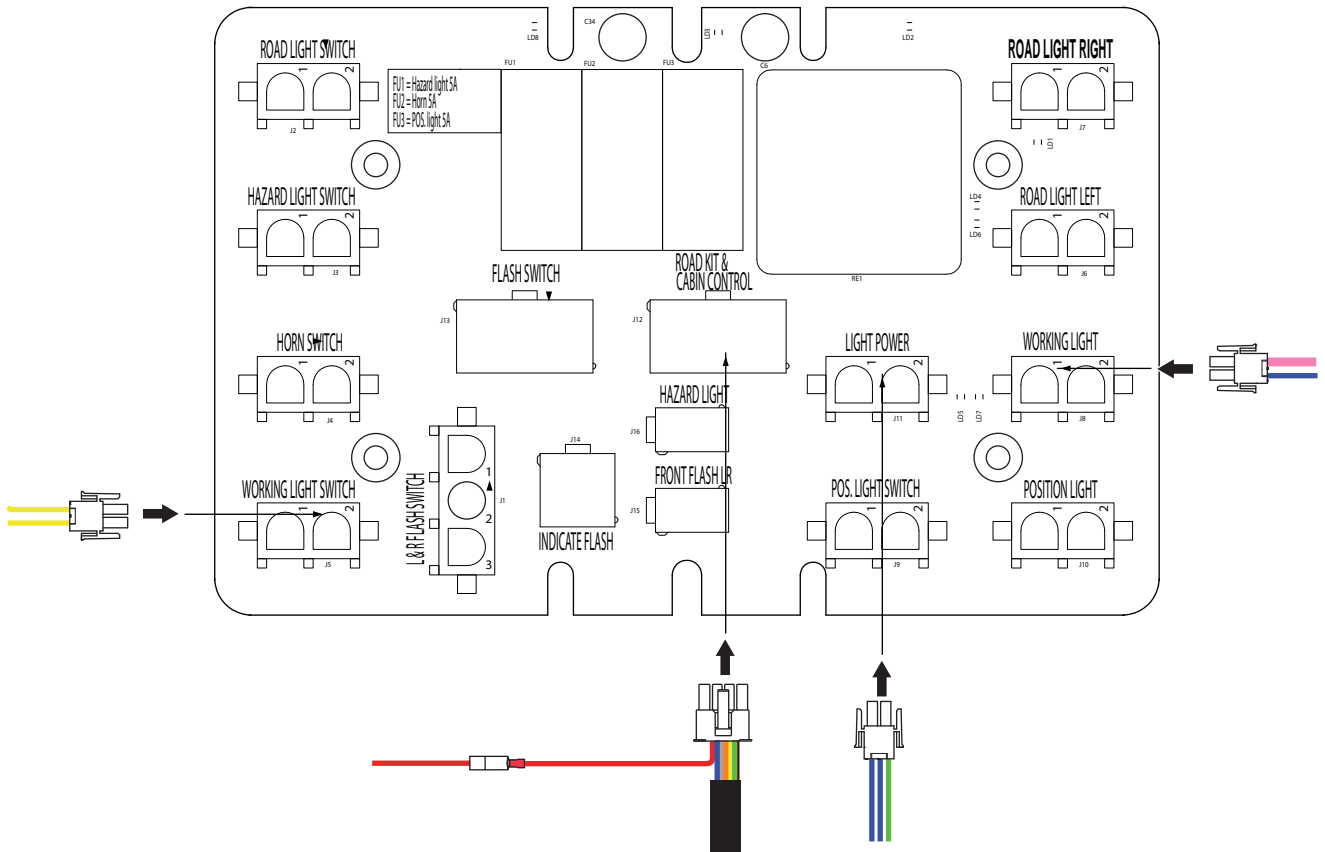
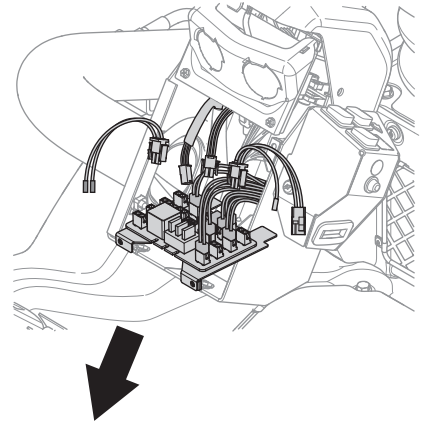
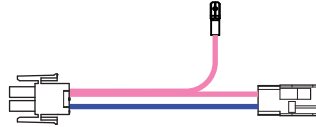


10

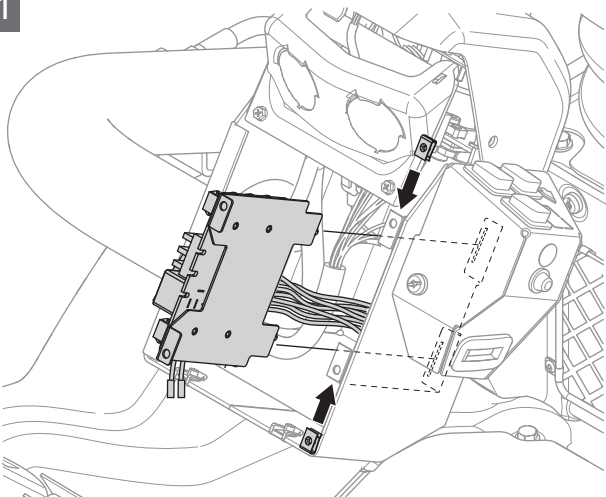
WORKING LIGHT SWITCH



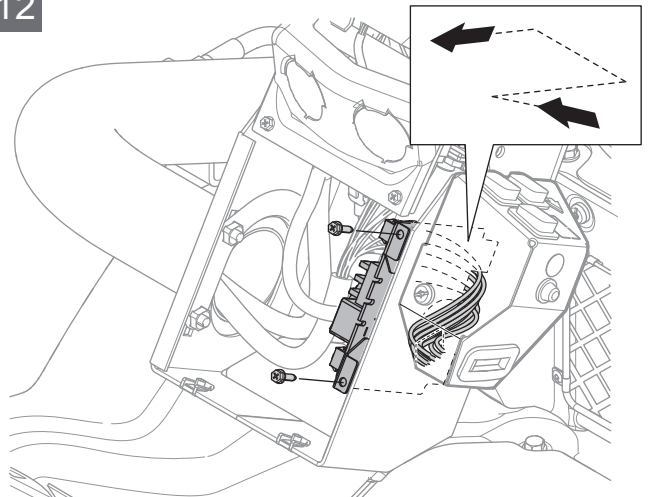
WORKING LIGHT NEW



11

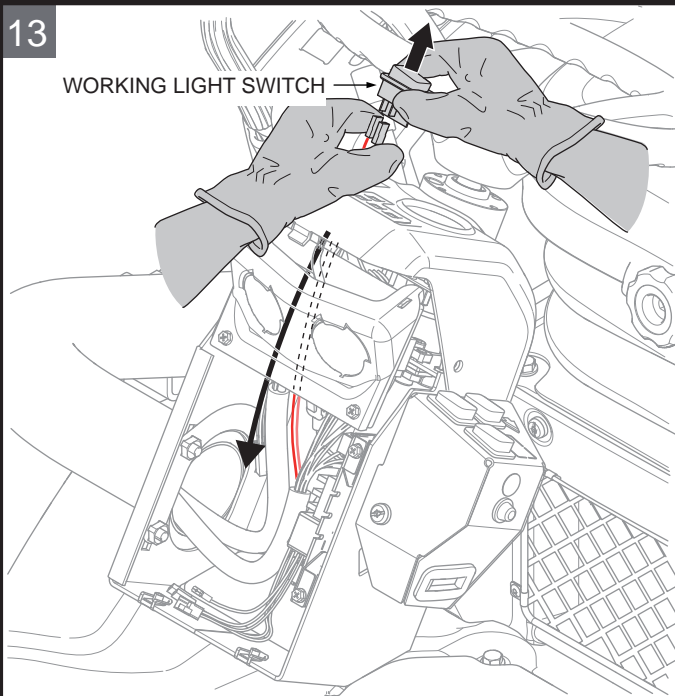


12



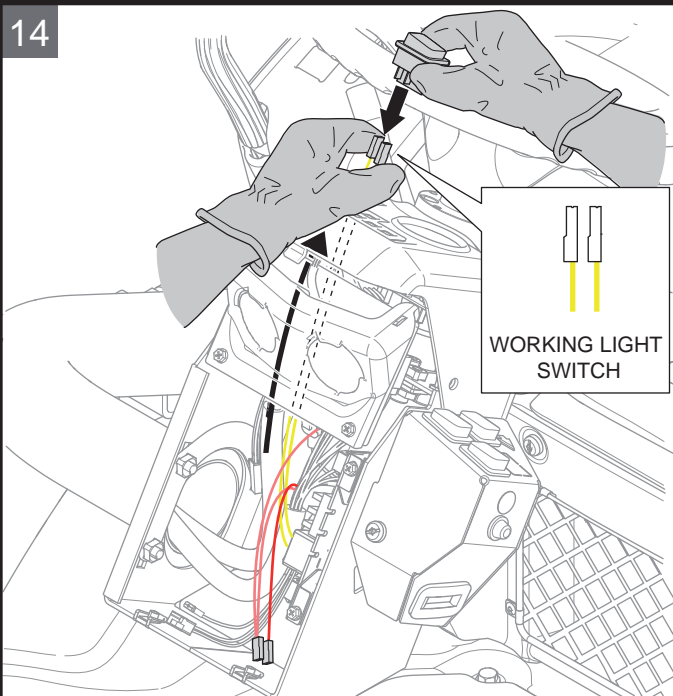
13

WORKING LIGHT SWITCH



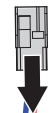
14

WORKING LIGHT SWITCH

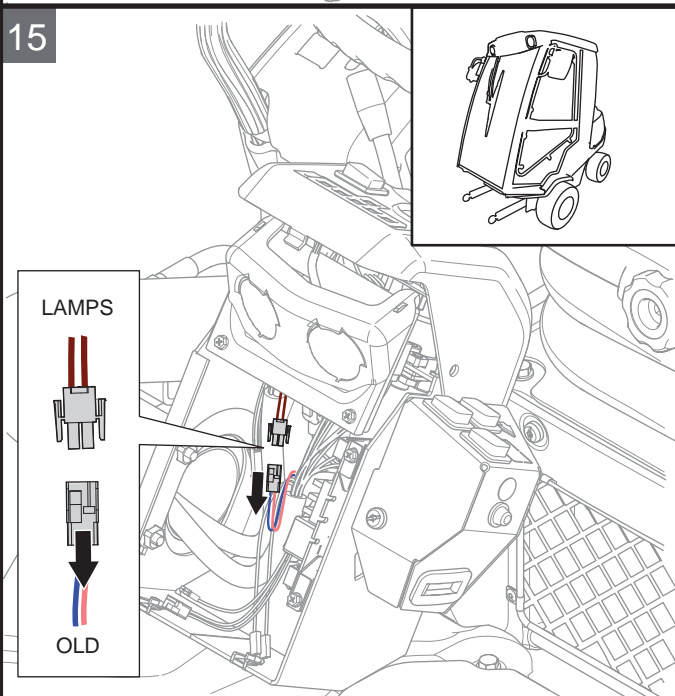


15

LAMPS



OLD

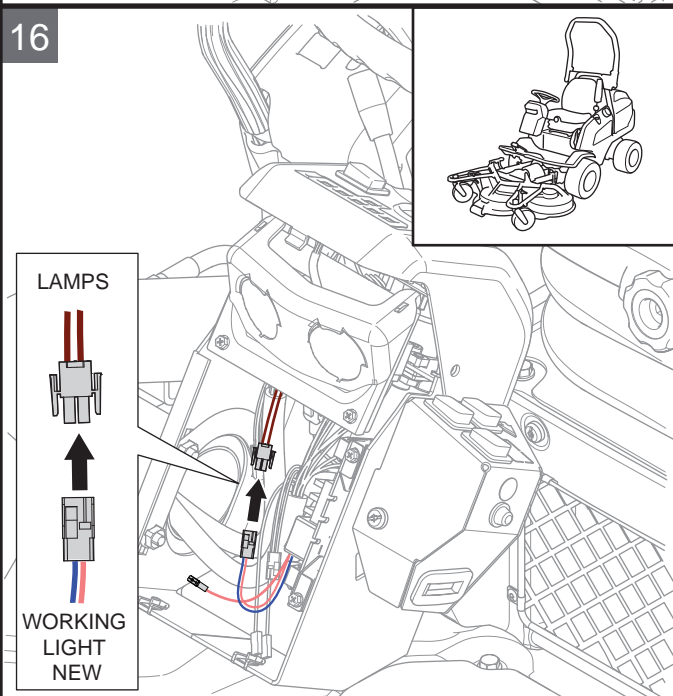


16

LAMPS

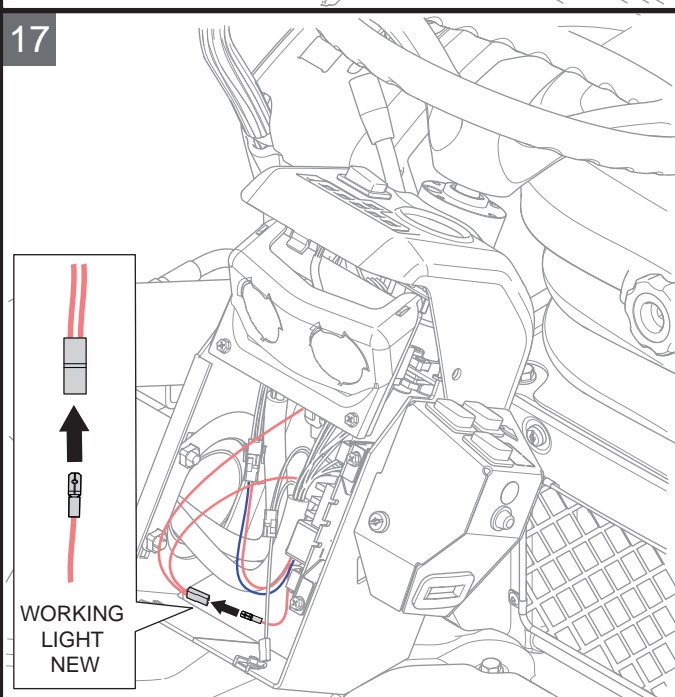


WORKING LIGHT NEW

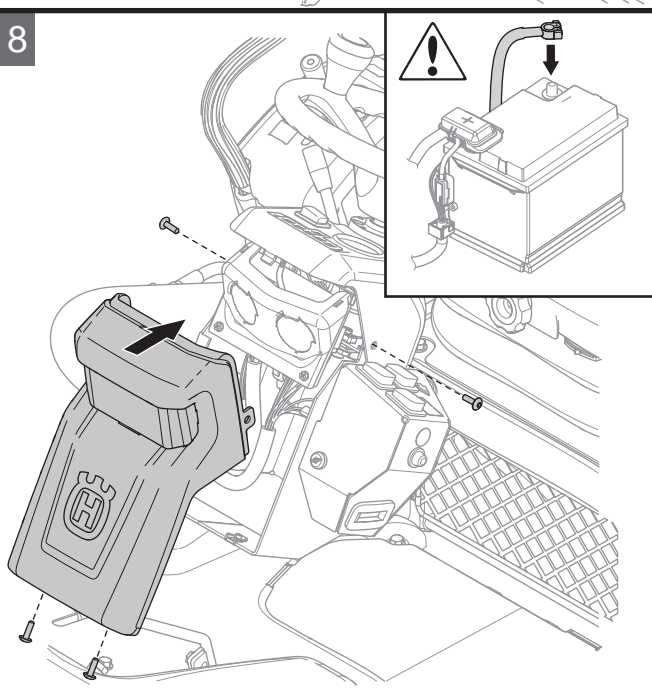


17

WORKING LIGHT NEW



18



TEST

✓
OK

=



✓

NOT OK

=

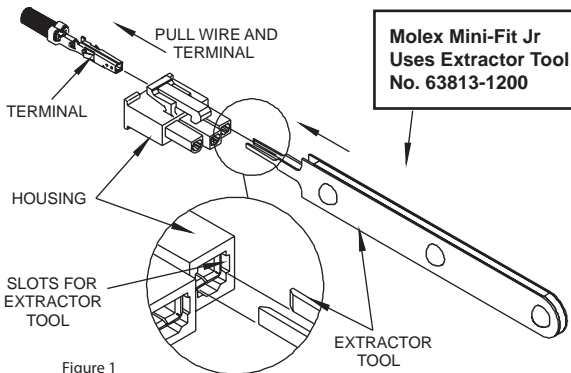
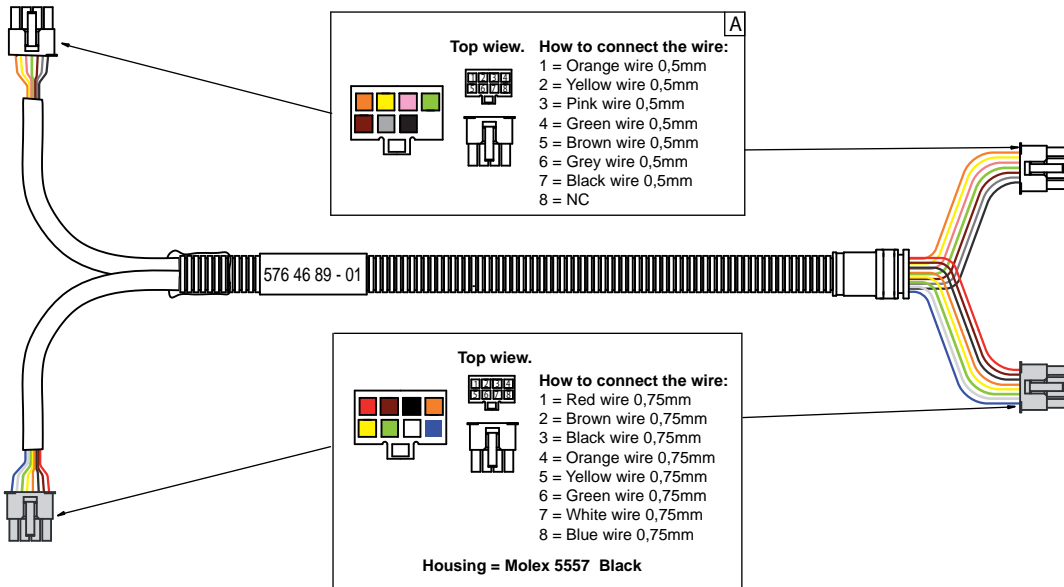
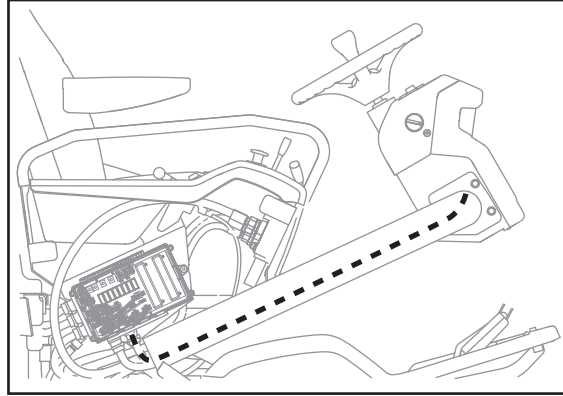
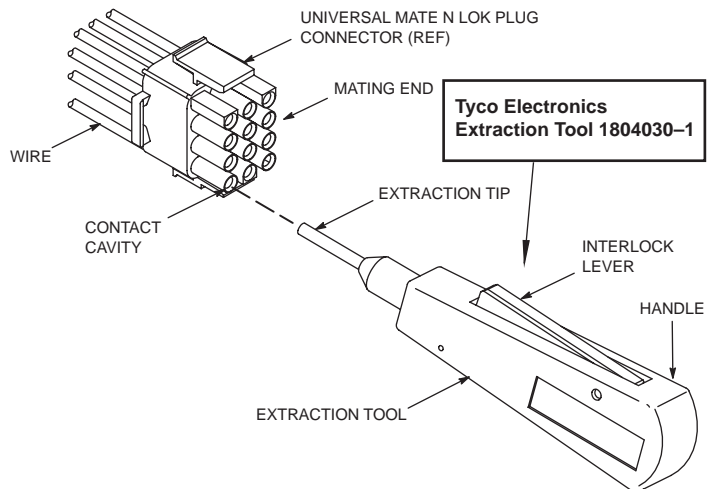


Figure 1





www.husqvarna.com

579 38 49-01

2012-05-14