

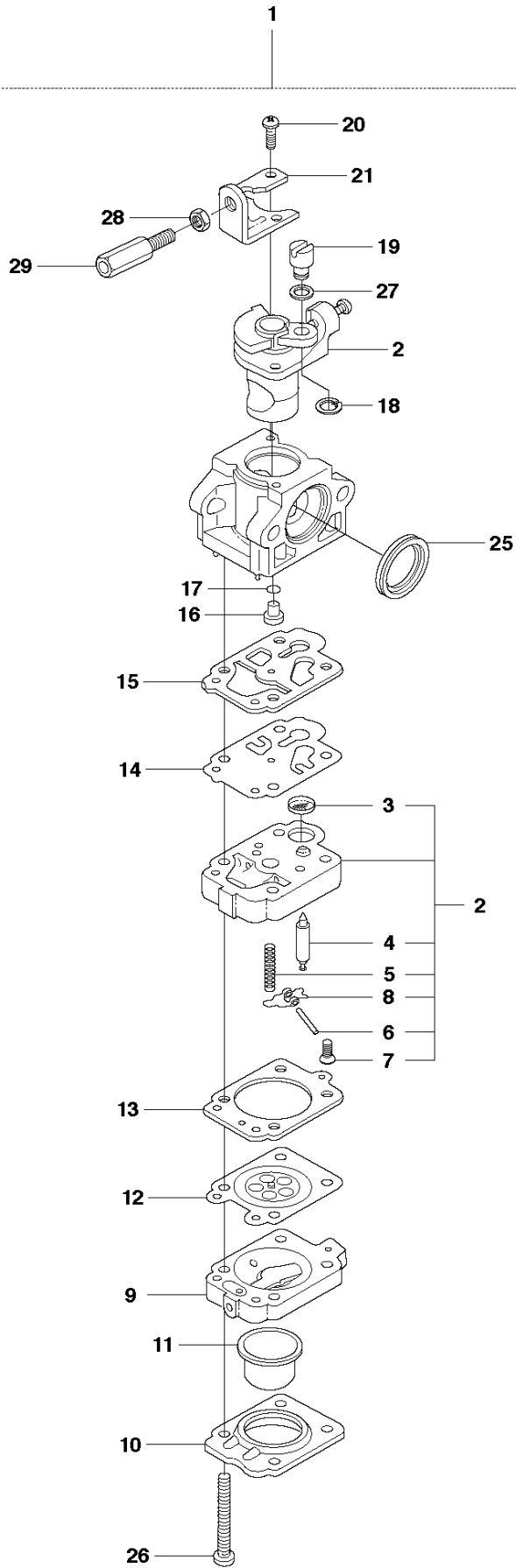


SPARE PARTS LIST

BRUSHCUTTERS/CLEARING SAWS

443 RB

C 443RB
CARBURETTOR

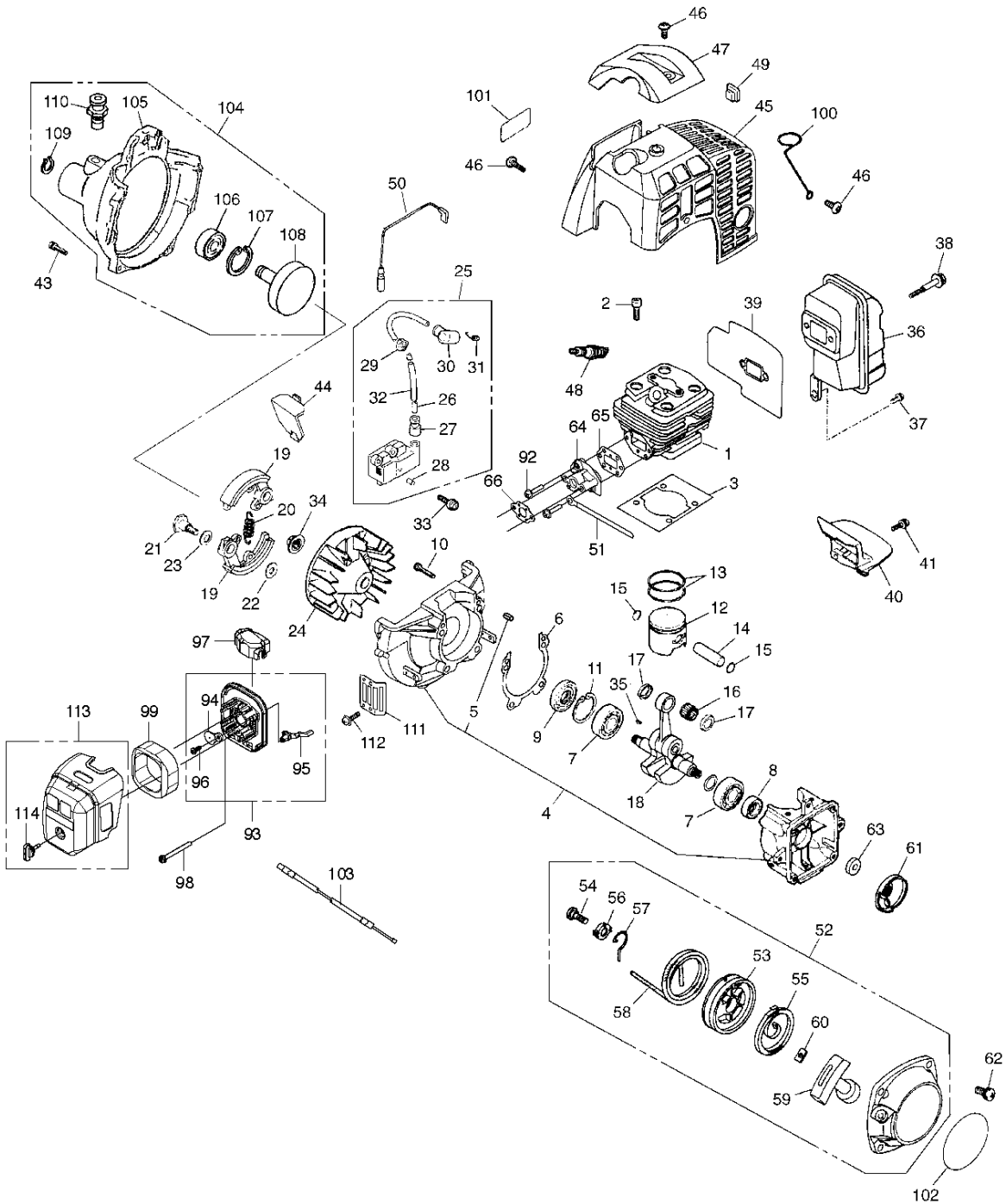


CARBURETOR

443 RB

Ref	Part No	Description	Remark	QTY	KIT
1	512 22 57-01	CARBURETOR-A		1	
2	502 23 84-01	CARBURETTOR BODY		1	1,2
3	520 95 70-01	SCREEN		1	1,2
4	521 08 54-01	VALVE.INLET		1	1,2
5	505 30 60-01	SPRING		1	1,2
6	520 97 74-01	PIN		1	1,2
7	505 30 61-01	SCREW		1	1,2
8	520 97 72-01	LEVER		1	1,2
9	506 74 09-01	BODY		1	1
10	506 74 10-01	COVER		1	1
11	505 30 67-01	PUMP		1	1
12	505 05 64-01	DIAPHRAGM		1	1
13	506 74 08-01	GASKET		1	1
14	506 68 98-01	DIAPHRAGM		1	1
15	505 30 72-01	GASKET		1	1
16	505 30 74-01	JET		1	1
17	505 30 75-01	O-RING		1	1
18	506 73 86-01	RING		1	1
19	506 74 12-01	SWIVEL		1	1
20	505 30 79-01	SCREW		2	1
21	506 74 60-01	BRACKET		1	1
25	505 30 84-01	RING		1	1
26	506 74 11-01	SCREW		4	1
27	506 74 61-01	WASHER		1	1
28	506 61 26-01	NUT		1	
29	515 46 61-01	SCREW		1	

B 443RB
ENGINE



Ref	Part No	Description	Remark	QTY	KIT
1	515 36 14-01	CYLINDER		1	
2	513 41 25-01	BOLT		4	
3	510 06 43-01	GASKET		1	
4	505 29 60-01	CRANKCASE		1	
5	505 29 61-01	PIN		3	
6	505 29 64-01	GASKET		1	
7	505 29 65-01	BEARING		2	
8	504 12 15-01	SEALING		1	
9	505 29 67-01	SEAL		1	
10	506 60 94-01	BOLT		4	
11	504 12 10-01	SNAP RING		1	
12	505 29 69-01	PISTON		1	
13	510 91 79-01	PISTON RING		2	
14	522 63 93-01	PIN		1	
15	516 28 30-01	RING		2	
16	505 29 73-01	BEARING		1	
17	513 75 24-01	WASHER		2	
18	585 15 30-01	CRANKSHAFT		1	
19	515 36 56-01	SHOE		2	
20	505 29 77-01	SPRING		1	
21	505 29 78-01	SCREW		2	
22	505 29 80-01	WASHER		2	
23	505 29 81-01	WASHER		2	
24	521 74 34-01	ROTOR		1	
25	512 27 40-01	COIL		1	
26	505 29 84-01	CORD.HIGH		1	25
27	505 04 28-01	HUB CAP		1	25
28	521 74 37-01	PEN		2	25
29	515 41 53-01	GROMMET		1	25
30	505 29 88-01	HUB CAP		1	25
31	515 41 52-01	SPRING		1	25
32	521 74 95-01	TUBE		1	25
33	514 23 38-01	BOLT		2	
34	504 11 80-01	NUT		1	
35	506 68 94-01	KEY		1	
36	515 36 99-01	MUFFLER		1	
37	505 29 94-01	BOLT		1	
38	505 29 95-01	BOLT		2	
39	526 52 28-01	GASKET		1	
40	505 29 97-01	PLATE.MUFFLER		1	
41	505 29 98-01	SCREW		1	
43	505 30 02-01	BOLT		4	
44	505 30 04-01	PLATE		1	
45	577 32 81-01	COVER		1	
46	505 30 06-01	SCREW		4	
47	505 30 11-01	GUARD		1	
48	503 23 51-09	SPARK PLUG		1	
49	505 30 13-01	GROMMET		1	
50	521 74 36-01	CORD		1	
51	510 92 67-01	CLAMP		1	
52	515 36 69-01	RECOIL-A		1	
53	504 11 47-01	REEL		1	52
54	515 36 71-01	SCREW		1	52
55	504 11 50-01	SPRING.SPIRAL		1	52
56	504 11 46-01	COLLAR		1	52
57	504 11 48-01	ARM		1	52
58	505 30 28-01	ROPE		1	52
59	505 30 34-01	KNOB		1	52
60	504 11 40-01	PLATE.STOPPER		1	52
61	504 11 44-01	PULLEY		1	
62	505 30 44-01	SCREW		4	
63	505 30 46-01	COLLAR		1	
64	526 52 05-01	INSULATOR		1	
65	505 30 49-01	GASKET.INSU		1	

ENGINE

443 RB

Ref	Part No	Description	Remark	QTY	KIT
66	505 30 50-01	GASKET		1	
92	505 30 48-01	SCREW		2	
93	505 30 88-01	BODY		1	
94	505 30 89-01	PLATE.CHOKE		1	
95	505 30 90-01	LEVER.CHOKE		1	
96	506 61 40-01	SCREW		1	
97	506 74 42-01	COVER		1	
98	505 30 87-01	SCREW		2	
99	528 75 56-01	ELEMENT		1	
100	513 49 46-01	CLAMP		1	
101	577 33 17-02	DECAL		1	
102	577 33 18-02	DECAL		1	
103	510 93 52-01	CABLE		1	
104	521 74 33-01	HOUSING ASSY		1	
105	525 91 97-01	HOUSING		1	104
106	529 26 98-01	BEARING		1	104
107	506 60 99-01	RING		1	104
108	576 20 38-01	DRUM		1	104
109	516 12 41-01	RING		1	104
110	512 52 70-01	STOPPER		1	104
111	505 29 62-01	GUARD		1	
112	505 29 98-01	SCREW		1	
113	505 30 93-01	COVER		1	
114	523 07 13-01	KNOB		1	

Ref	Part No	Description	Remark	QTY	KIT
1	521 66 96-01	PIPE-COMP		1	
2	514 12 71-01	BUSHING		6	1
3	515 53 63-01	BEARING		1	1
4	515 53 65-01	SHAFT		1	
5	515 53 66-01	SHAFT		1	
6	515 53 67-01	CLAMP		1	
7	510 47 57-01	SCREW		1	
8	506 60 93-01	BOLT		1	
9	526 47 95-01	GEARCASE ASSY		1	
10	514 36 63-01	GEARCASE		1	9
11	505 17 02-01	BEARING		2	9
12	505 16 86-01	BEARING		1	9
13	504 12 10-01	SNAP RING		1	9
14	505 16 87-01	SEAL		1	9
15	515 35 99-01	SHAFT		1	9
16	526 42 72-01	GEAR		1	9
17	505 16 96-01	BOLT		1	9
18	505 16 98-01	WASHER		1	9
19	505 16 97-01	SPRING WASHER		1	9
20	526 47 94-01	PISTON		1	9
21	516 12 99-01	BALL BEARING		1	9
22	516 12 40-01	SNAP RING		1	9
23	516 12 55-01	SNAP RING		1	9
24	506 61 49-01	BOLT		1	9
25	505 16 99-01	BOLT		1	9
26	514 36 66-01	HOLDER		1	9
27	505 17 14-01	HOLDER(B)		1	9
28	510 45 14-01	BOLT		1	9
29	511 63 97-01	GRIP		1	
30	529 26 64-01	LABEL,CAUTION		1	
31	527 30 55-01	SHAFT		1	
32	527 30 48-01	SHAFT,FLEX		1	31
33	527 30 49-01	LINER		1	31
34	516 13 65-01	O-RING		1	31
35	577 32 92-01	FRAME		1	94
36	525 91 81-01	PAD		1	94
37	515 50 26-01	CLIP		4	36,94
38	512 26 88-01	RING		2	94
39	510 47 84-01	SCREW		2	94
40	577 32 94-01	PLATE		1	94
41	515 53 91-01	JOINT		3	94
42	513 35 53-01	NUT		6	94
43	510 45 12-01	BOLT		2	94
44	510 48 61-01	NUT		2	94
45	512 30 04-01	CORD		1	94
46	515 53 95-01	BAND(T)		2	94
47	513 34 46-01	SWITCH		1	94
48	515 53 96-01	NUT		1	94
49	512 27 49-01	BRACKET		1	94
50	577 32 93-01	BRACKET		1	94
51	505 29 95-01	BOLT		4	94
52	516 07 52-01	NUT		1	94
53	585 27 67-01	TANK		1	
54	505 30 96-01	CAP		1	
55	525 36 94-01	GRND SEG		1	
56	506 74 43-01	PACKING		1	
57	506 74 68-01	FILTER		1	
58	506 74 58-01	STOPPER		1	
59	506 74 26-01	FILTER		1	
60	515 52 02-01	PIPE COMP		1	
61	506 70 70-01	CLIP		1	
62	513 31 59-01	BAND		2	
63	515 52 05-01	SPRING		1	
64	515 52 56-01	CLIP		1	

SHAFT & HANDLE

443 RB

Ref	Part No	Description	Remark	QTY	KIT
65	512 27 50-01	BAND		1	
66	505 16 99-01	BOLT		1	
67	514 36 69-01	COVER		1	
68	510 47 88-01	SCREW		1	67
69	514 34 53-01	COVER		1	
70	577 32 96-01	GUARD		1	
71	577 32 97-01	GUARD		1	70
72	514 36 86-01	CLAMP		1	70
73	514 36 35-01	BOLT		2	70
74	510 48 80-01	WASHER		2	70
75	578 44 51-01	GRASS BLADE		1	
76	521 53 92-01	CLAMP		2	
77	513 17 46-01	LEVER ASSY		1	
78	512 54 09-01	HANDLE ASSY		1	
80	512 54 10-01	HANDLE		1	78
81	510 46 21-01	SCREW		3	78
82	510 48 89-01	WASHER		3	78
84	505 17 23-01	NUT		3	
85	511 41 68-01	TANK		1	84
86	521 82 24-01	TOOL-SET		1	84
87	514 09 91-01	WRENCH		1	
88	505 31 19-01	WRENCH		1	
89	505 29 58-01	LABEL		1	
90	537 12 99-04	BAR GUARD		2	
91	510 48 83-01	WASHER		1	94
92	511 26 10-01	PLATE		2	94
93	510 47 86-01	SCREW		2	94
94	577 32 91-01	FRAME		1	
95	584 63 69-01	DECAL		1	