

# **ILLUSTRATED PARTS LIST**

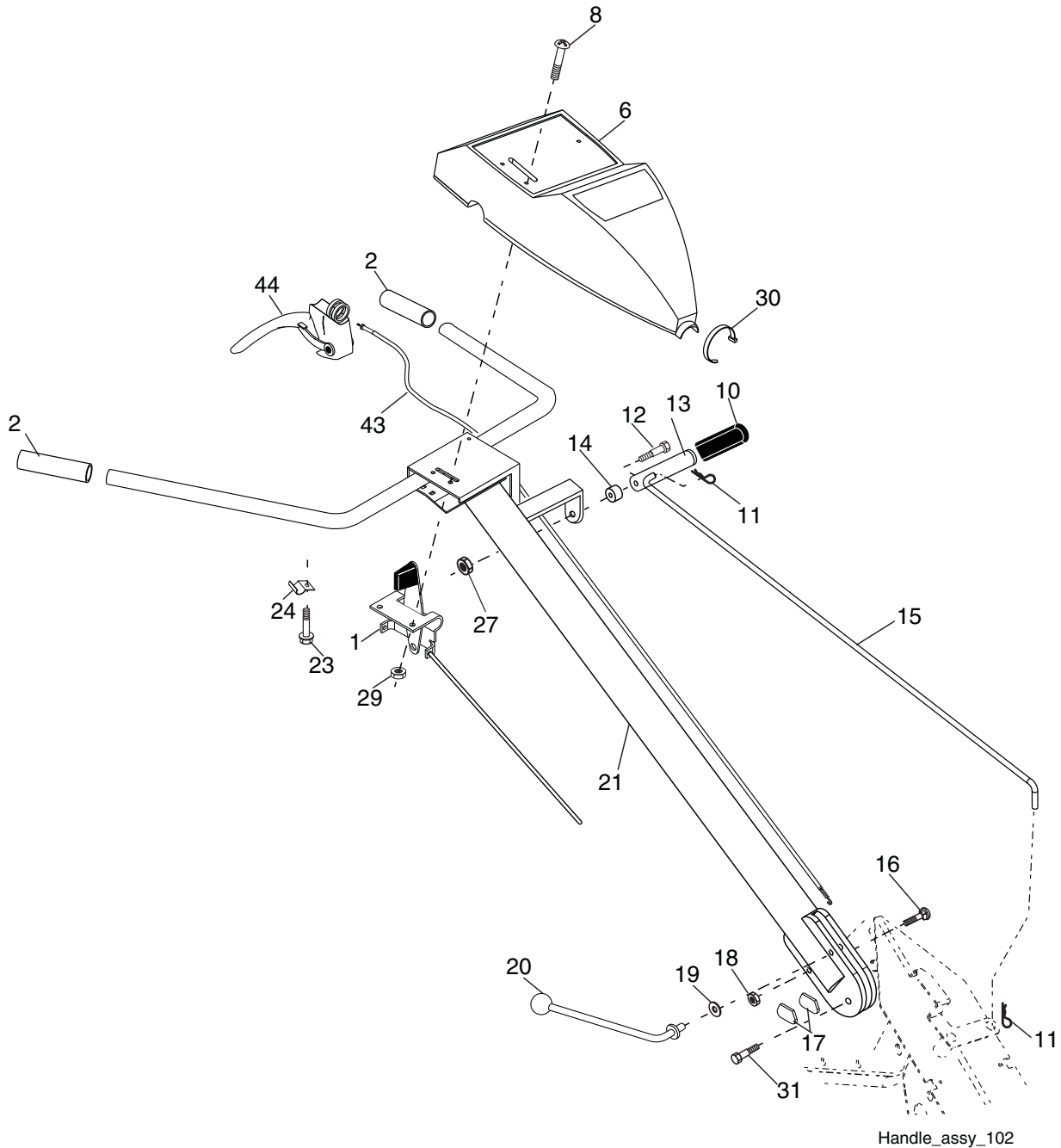
**MFG. ID NO. 96091001701**

**CATALOG NUMBER TR530**

**PRODUCT NUMBER 960 91 00-17**

# HUSQVARNA TILLER - MODEL NUMBER TR530 (MFG. ID. NO. 96091001701)

## HANDLE ASSEMBLY



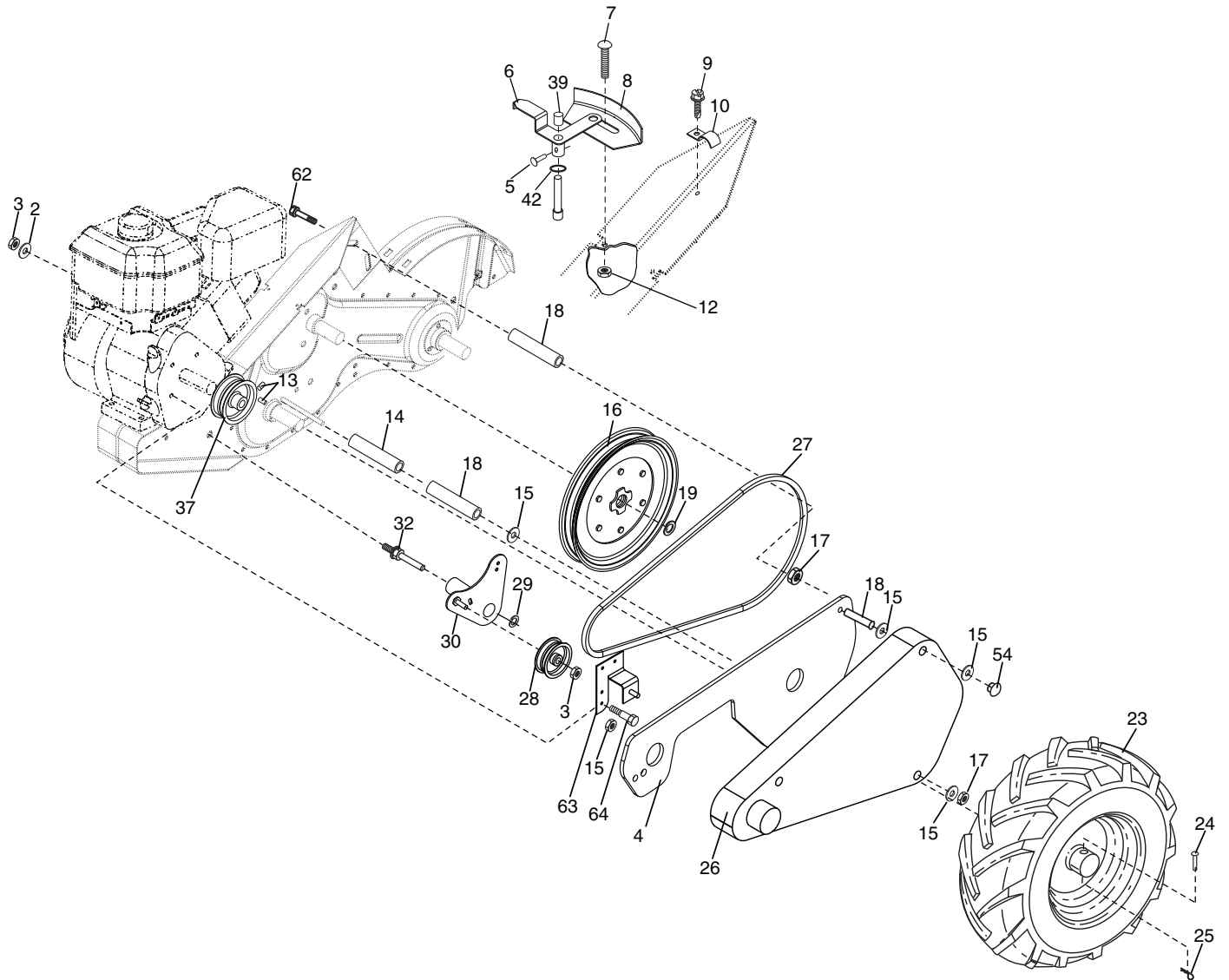
| KEY NO. | PART NO.     | DESCRIPTION                           |
|---------|--------------|---------------------------------------|
| 1       | 532 17 57-69 | Control, Throttle                     |
| 2       | 532 42 76-43 | Grip, Handle                          |
| 6       | 532 18 06-76 | Panel, Control                        |
| 8       | 871 19 10-08 | Screw, Truss Head<br>#10-24 UNC x 1/2 |
| 10      | 532 12 47-97 | Grip, Handle                          |
| 11      | 532 12 47-88 | Retainer, Spring                      |
| 12      | 532 08 13-28 | Bolt, Shoulder                        |
| 13      | 532 18 74-97 | Handle, Shift                         |
| 14      | 532 10 93-13 | Grommet, Rubber                       |
| 15      | 532 10 93-37 | Rod, Shift                            |
| 16      | 872 11 06-08 | Bolt, Carriage, Grade 5, 3/8-16 x 1   |
| 17      | 532 10 92-29 | Lock, Handle                          |
| 18      | 873 68 06-00 | Nut, Hex, Crownlock, 3/8-16 UNC       |

| KEY NO. | PART NO.     | DESCRIPTION                                     |
|---------|--------------|---|
| 19      | 819 13 16-11 | Washer, 13/32 x 1 x 11 Gauge                    |
| 20      | 532 10 92-28 | Lever, Lock, Handle                             |
| 21      | 532 18 11-27 | Handle  |
| 23      | 532 08 67-77 | Screw, Hex Washer Head,<br>Slotted,#10-24 x 1/2 |
| 24      | 532 00 94-84 | Clip  |
| 27      | 873 90 04-00 | Nut, Hex, Flanged, 1/4-20 UNC                   |
| 29      | 873 73 10-00 | Nut, Hex, Keps, #10-24 UNC                      |
| 30      | 532 10 41-64 | Tie, Cable                                      |
| 31      | 532 15 06-96 | Bolt, Pivot                                     |
| 43      | 532 43 94-57 | Cable, Handle, Tine Control                     |
| 44      | 532 43 87-82 | Control, Handle, Two Function                   |

**NOTE:** All component dimensions given in U.S. inches.  
1 inch = 25.4 mm

# HUSQVARNA TILLER - MODEL NUMBER TR530 (MFG. ID. NO. 96091001701)

## MAINFRAME, LEFT SIDE



mainframe\_left\_19.euro

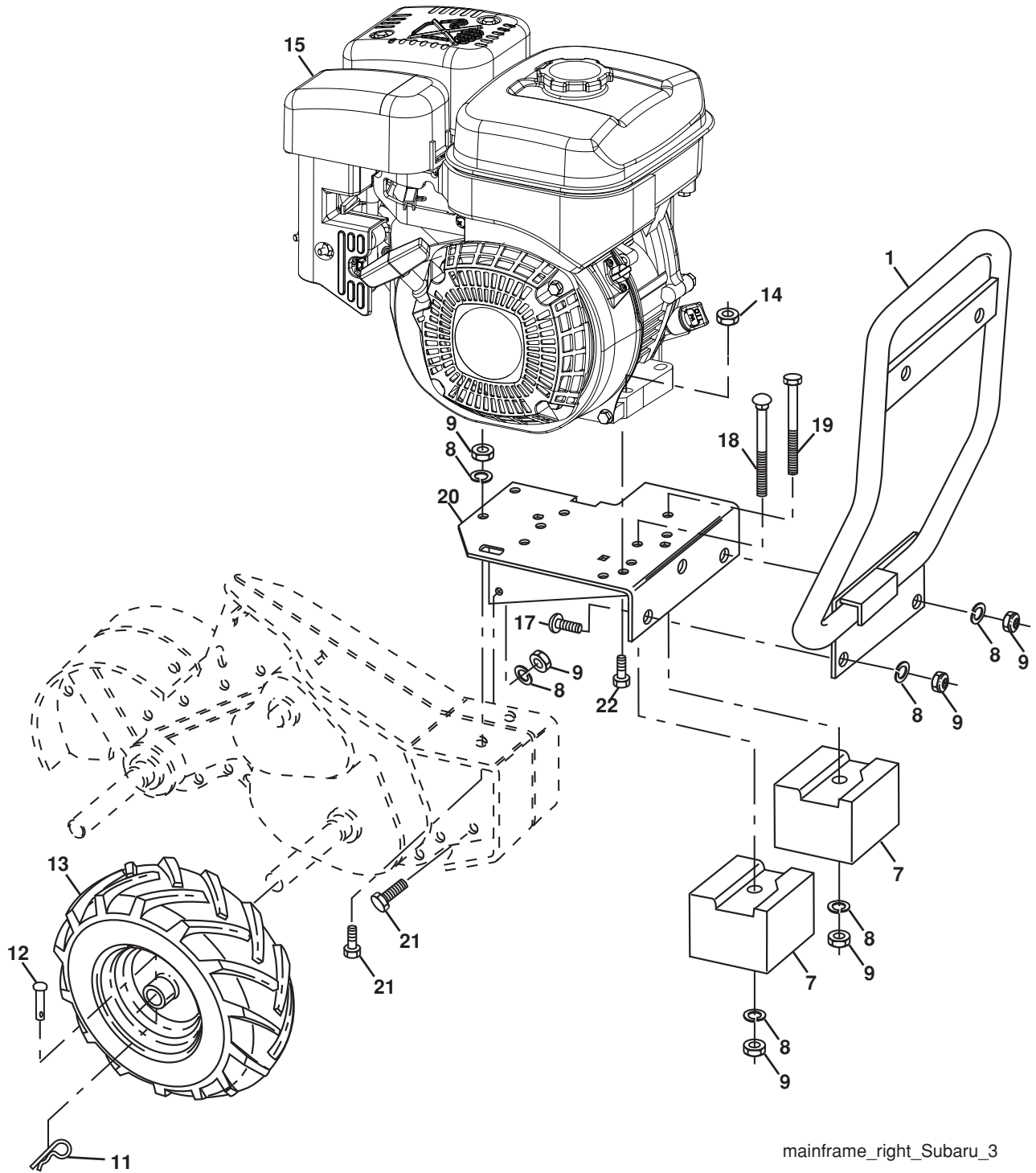
| KEY NO. | PART NO.     | DESCRIPTION                                   |
|---------|--------------|---|
| 2       | 810 04 06-00 | Washer, Lock, 3/8                             |
| 3       | 873 22 06-00 | Nut, Hex, 3/8-16                              |
| 4       | 532 18 00-46 | Shield, Inner Belt Guard, RH                  |
| 5       | 532 16 43-29 | Pin, Spiral Flared                            |
| 6       | 532 11 01-11 | Lever, Shift                                  |
| 7       | 872 11 04-04 | Bolt, Carriage, Grade 5, 1/4-20 x 1/2         |
| 8       | 532 00 87-00 | Plate, Shift Indicator                        |
| 9       | 532 08 67-77 | Screw, Hex Washer Head, Slotted, #10-24 x 1/2 |
| 10      | 532 00 94-84 | Clip  |
| 12      | 873 51 04-00 | Nut, Hex, Keps, 1/4-20 UNC                    |
| 13      | 823 23 05-06 | Screw, Set, Hex, 5/16-18 x 3/8                |
| 14      | 532 15 61-17 | Spacer, Split, 0.327 x 0.42 x 1.220           |
| 15      | 819 11 11-16 | Washer, 11/32 x 11/16 x 16 Gauge              |
| 16      | 532 14 51-02 | Sheave, Transmission                          |
| 17      | 873 22 05-00 | Nut, Hex, 5/16-18                             |
| 18      | 532 13 16-91 | Spacer, Split                                 |
| 19      | 812 00 00-28 | Ring, Retainer                                |

| KEY NO. | PART NO.     | DESCRIPTION                     |
|---------|--------------|---------------------------------|
| 23      | 532 00 50-15 | Tire                            |
|         | 532 00 50-14 | Rim                             |
|         | 532 12 47-18 | Tire Valve                      |
| 24      | 532 00 49-29 | Rivet, Drilled                  |
| 25      | 532 12 49-61 | Clip, Hairpin                   |
| 26      | 532 18 11-64 | Guard, Belt                     |
| 27      | 532 13 83-99 | Belt, V                         |
| 28      | 532 10 46-79 | Pulley, Idler                   |
| 29      | 812 00 00-32 | Ring, Klip                      |
| 30      | 532 15 92-29 | Bracket, Idler                  |
| 32      | 532 13 94-01 | Shaft, Idler Arm                |
| 37      | 532 42 96-95 | Sheave, Engine                  |
| 39      | 532 14 00-62 | Cap Plunger                     |
| 42      | 532 10 61-60 | O-Ring                          |
| 54      | 532 10 42-14 | Nut, Hex, 5/16-18               |
| 62      | 874 93 05-72 | Bolt, Hex Head, 5/16-18 x 4-1/2 |
| 63      | 532 17 57-97 | Bracket Assembly, Guard         |
| 64      | 874 77 05-08 | Bolt, 5/16-24 UNF x 1/2         |

**NOTE:** All component dimensions given in U.S. inches. 1 inch = 25.4 mm

# HUSQVARNA TILLER - MODEL NUMBER TR530 (MFG. ID. NO. 96091001701)

## MAINFRAME, RIGHT SIDE



mainframe\_right\_Subaru\_3

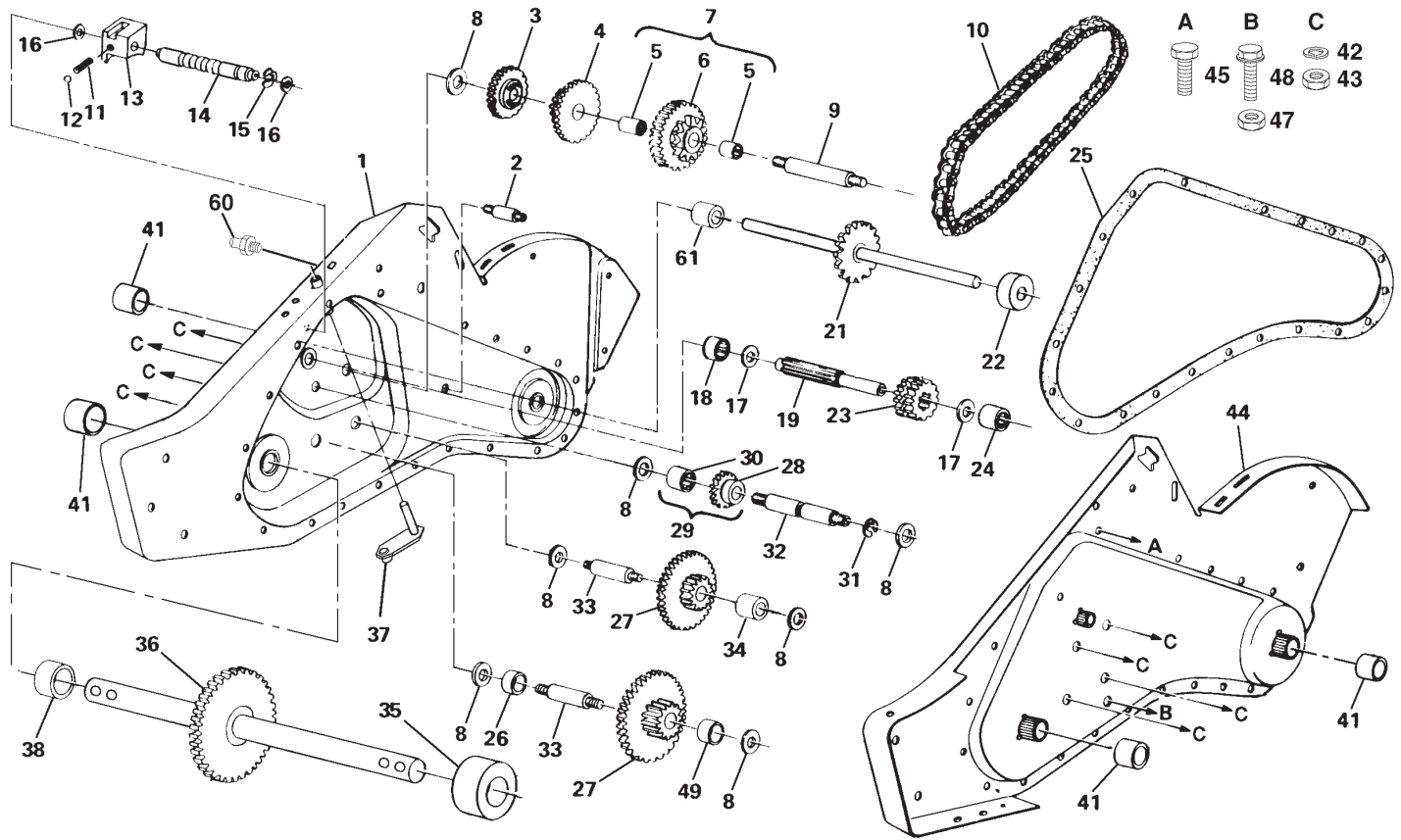
| KEY NO. | PART NO.     | DESCRIPTION             |
|---------|--------------|-------------------------|
| 1       | 532 17 56-24 | Bumper                  |
| 7       | 532 18 02-75 | Counter Weight, R.H.    |
| 8       | 810 04 06-00 | Washer, Lock, 3/8       |
| 9       | 873 22 06-00 | Nut, Hex, 3/8-16        |
| 11      | 532 12 49-61 | Clip, Hairpin           |
| 12      | 532 00 49-29 | Rivet, Drilled          |
| 13      | 532 00 50-15 | Tire                    |
|         | 532 00 50-14 | Rim                     |
|         | 532 12 47-18 | Tire Valve              |
| 14      | 873 97 05-00 | Nut, Lock, Hex, Flanged |

| KEY NO. | PART NO.     | DESCRIPTION                             |
|---------|--------------|---|
| 15      | ---          | Engine, Subaru, Model Number EX210D5270 |
| 17      | 872 14 06-08 | Bolt, Hex Head, 5/16-18 x 1-1/2         |
| 18      | 872 47 06-36 | Bolt, Carriage, 3/8-16 x 4-1/2          |
| 19      | 874 76 06-72 | Bolt, Hex Head, 3/8-16 x 4-1/2          |
| 20      | 532 43 21-05 | Base, Engine                            |
| 21      | 874 76 06-16 | Bolt, Hex Head, 5/16-18 x 1             |
| 22      | 874 76 05-24 | Bolt, Hex Head, 5/16-18 x 1-1/2         |

**NOTE:** All component dimensions given in U.S. inches.  
1 inch = 25.4 mm

# HUSQVARNA TILLER - MODEL NUMBER TR530 (MFG. ID. NO. 96091001701)

## TRANSMISSION

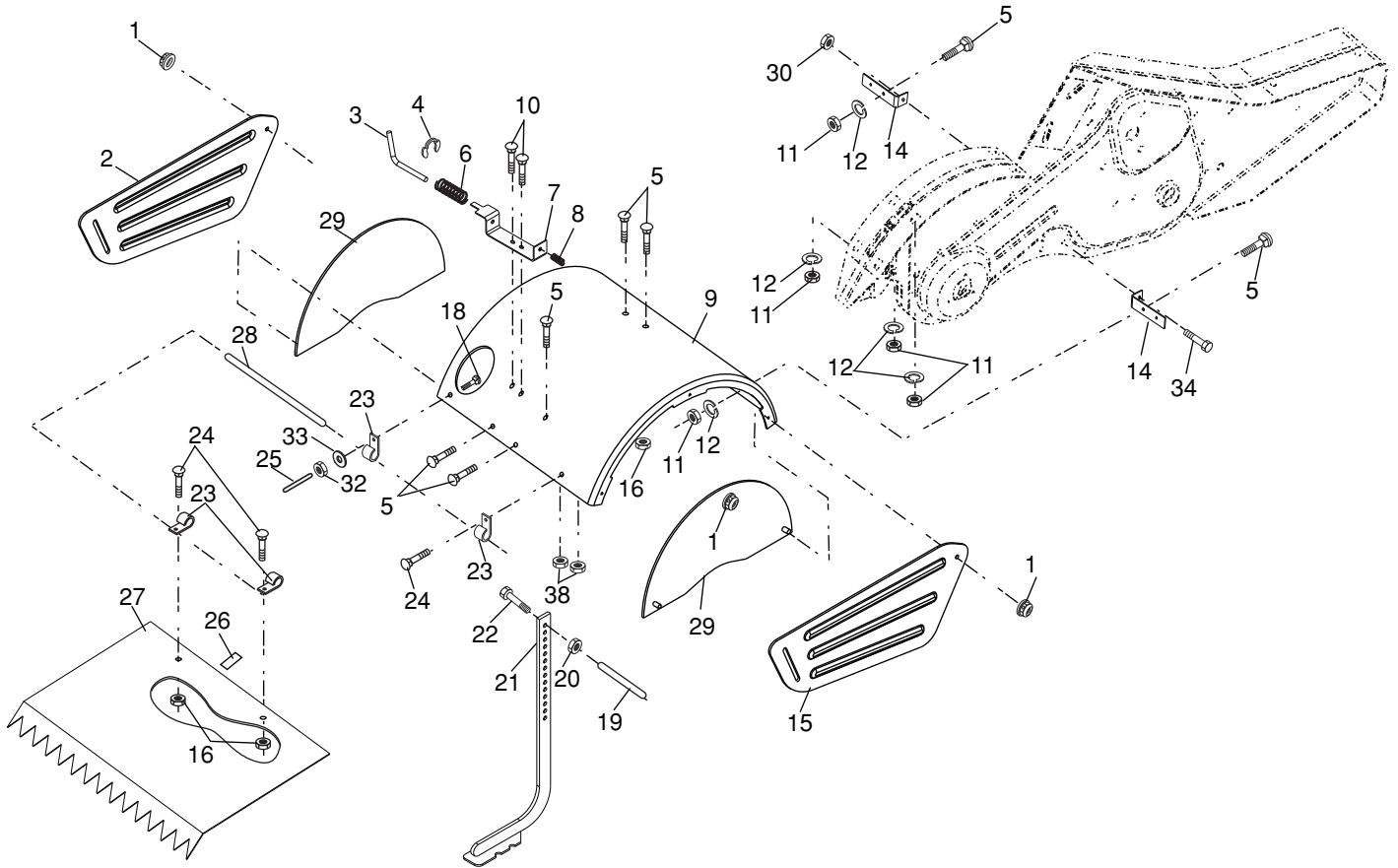


| KEY NO. | PART NO.     | DESCRIPTION   | KEY NO. | PART NO.     | DESCRIPTION  |
|---------|--------------|---|---------|--------------|--|
| --      | 532 18 13-37 | Transmission Assembly                                     | 28      | 532 00 83-57 | Gear, Reverse Idler  |
| 1       | 532 18 13-32 | Gearcase, R.H., with Bearing<br>(Includes Key Number 18)  | 29      | 532 14 45-62 | Gear Assembly, Reverse Idler<br>(Includes Key Numbers 28 and 30) |
| 2       | 532 18 13-62 | Spacer Gearcase   | 30      | 532 00 68-03 | Bearing, Needle  |
| 3       | 532 17 50-35 | Gear Reverse  | 31      | 812 00 00-40 | Ring, Klip   |
| 4       | 532 10 53-45 | Gear, Cluster, Red, 1st & 2nd                             | 32      | 532 00 83-56 | Shaft, Reverse Idler   |
| 5       | 532 10 04-13 | Bearing, Needle   | 33      | 532 10 00-16 | Shaft, Reduction (2nd)   |
| 6       | 532 14 45-64 | Sprocket and Tine Assembly                                | 34      | 532 10 63-92 | Spacer, 0.765 I.D. x 1-1/8 x 1-3/8                               |
| 7       | 532 14 45-63 | Sprocket Assembly with Bearing<br>(Includes Key Number 5) | 35      | 532 10 63-94 | Spacer, LH   |
| 8       | 532 00 43-58 | Washer  | 36      | 532 10 04-36 | Shaft Assembly   |
| 9       | 532 00 83-58 | Shaft, Reduction (1st)                                    | 37      | 532 14 21-45 | Bracket Assembly   |
| 10      | 532 00 83-71 | Chain, Roller   | 38      | 532 10 63-93 | Spacer, RH   |
| 11      | 532 10 03-71 | Spring, Shift, Fork                                       | 41      | 532 15 52-36 | Seal Assembly, Oil   |
| 12      | 532 12 46-97 | Ball, Steel   | 42      | 810 04 07-00 | Push Nut, 7/16   |
| 13      | 532 00 83-53 | Fork, Shift   | 43      | 873 61 07-00 | Nut, Hex, 7/16-20  |
| 14      | 532 17 53-72 | Shaft, Reduction  | 44      | 532 18 13-23 | Gearcase, L.H. with Bearing<br>(Includes Key Number 24)          |
| 15      | 812 00 00-39 | Ring, Klip  | 45      | 817 72 05-10 | Screw, Thread Cutting,<br>5/16-18 x 5/8                          |
| 16      | 532 15 44-67 | Washer, Seal  | 47      | 873 22 05-00 | Nut, Hex, 5/16-18  |
| 17      | 532 00 13-70 | Washer, Thrust, 5/8 I.D.                                  | 48      | 532 10 01-07 | Screw, 5/16-18 x 4   |
| 18      | 532 12 47-92 | Bearing, Needle   | 49      | 532 10 63-91 | Spacer, 0.765 I.D. x 1.12 x 3/4                                  |
| 19      | 532 15 06-95 | Shaft, Input  | 60      | 532 18 32-26 | Fitting, Grease  |
| 21      | 532 43 15-19 | Tine Shaft Assembly                                       | 61      | 532 43 15-01 | Spacer, 1.015 x 1.50 x .765                                      |
| 22      | 532 10 61-81 | Spacer, 1.008 x 1-3/4 x 0.645                             | --      | 532 00 60-66 | Grease, #1   |
| 23      | 532 17 50-31 | Pinion, Input   | --      | 532 16 21-70 | Bearing Assembly   |
| 24      | 532 00 50-20 | Bearing, Needle   |         |              |  |
| 25      | 532 43 10-23 | Gasket, Gearcase  |         |              |  |
| 26      | 532 10 63-89 | Spacer, 0.765 I.D. x 1.12 x 5/8                           |         |              |  |
| 27      | 532 10 04-33 | Gear, Cluster   |         |              |  |

**NOTE:** All component dimensions given in U.S. inches. 1 inch = 25.4 mm

# HUSQVARNA TILLER - MODEL NUMBER TR530 (MFG. ID. NO. 96091001701)

## TINE SHIELD



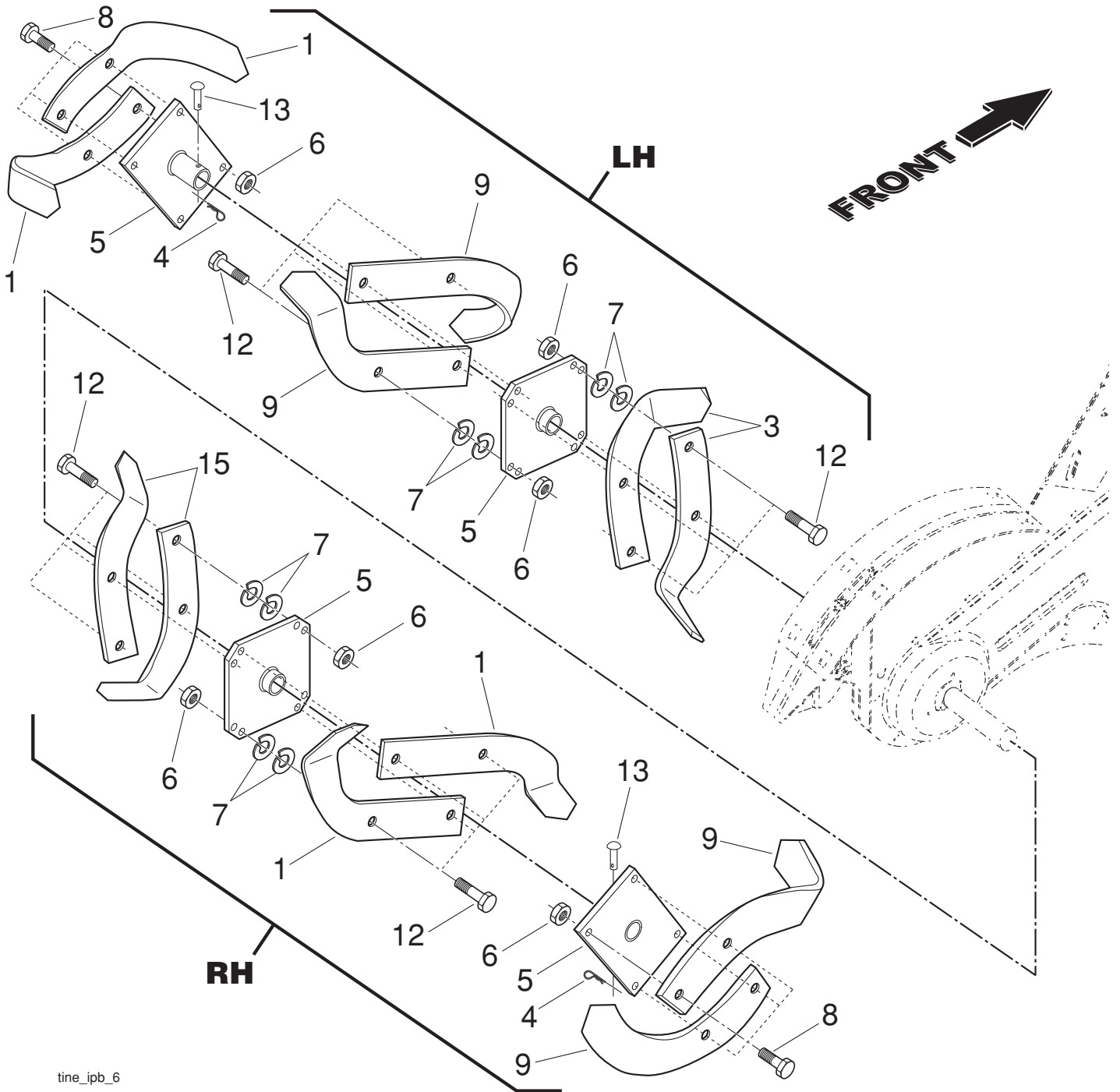
tine\_shield\_99\_21\_in\_r2

| KEY NO. | PART NO.     | DESCRIPTION                             |
|---------|--------------|---|
| 1       | 873 90 05-00 | Nut, Lock, Hex, Flanged, 5/16-18        |
| 2       | 532 16 35-60 | Shield, Side, Outer, LH                 |
| 3       | 532 00 83-93 | Pin, Stake, Depth                       |
| 4       | 812 00 00-35 | Ring, Klip                              |
| 5       | 532 18 08-47 | Bolt, 5/16-18 x 3/4                     |
| 6       | 532 00 83-94 | Spring                                  |
| 7       | 532 00 83-92 | Bracket, Latch                          |
| 8       | 532 10 92-30 | Spring, Depth Stake                     |
| 9       | 532 17 16-16 | Shield, Tine                            |
| 10      | 872 14 05-08 | Bolt, Carriage, 5/16-18 x 1             |
| 11      | 873 22 05-00 | Nut, Hex, 5/16-18                       |
| 12      | 810 04 05-00 | Washer, Lock, 5/16                      |
| 14      | 532 12 43-43 | Bracket, Tine Shield                    |
| 15      | 532 16 35-61 | Shield, Side, Outer RH                  |
| 16      | 873 90 04-00 | Nut, Hex, Flanged, 1/4-20 UNC           |
| 18      | 872 04 04-10 | Bolt, Carriage, Grade 5, 1/4-20 x 1-1/4 |
| 19      | 532 10 27-01 | Grip                                    |
| 20      | 873 22 06-00 | Nut, Hex, 3/8-16                        |

| KEY NO. | PART NO.     | DESCRIPTION                              |
|---------|--------------|--|
| 21      | 532 13 84-20 | Stake, Depth                             |
| 22      | 874 93 06-32 | Bolt, Hex Head, 3/8-16 x 2               |
| 23      | 532 00 44-40 | Hinge                                    |
| 24      | 872 14 04-04 | Bolt, Carriage, Grade 5, 1/4-20 x 1/2    |
| 25      | 532 12 47-17 | Cap, Vinyl                               |
| 26      | 532 10 92-27 | Pad, Idler                               |
| 27      | 532 14 55-20 | Shield, Leveling                         |
| 28      | 532 13 86-09 | Pin, Hinge                               |
| 29      | 532 14 55-21 | Shield, Side                             |
| 30      | 873 97 05-00 | Nut, Lock, Hex, Flanged                  |
| 32      | 873 22 04-00 | Nut, Hex, 1/4-20 UNC                     |
| 33      | 810 04 04-00 | Washer, Lock, Heavy Helical, 1/4         |
| 34      | 874 49 05-36 | Bolt, Hex Head, Flanged, 5/16-18 x 2-1/4 |
| 38      | 873 51 05-00 | Nut, Hex, Keps, 5/16-18 UNC              |

**NOTE:** All component dimensions given in U.S. inches.  
1 inch = 25.4 mm

**HUSQVARNA TILLER - MODEL NUMBER TR530 (MFG. ID. NO. 96091001701)**  
**TINE ASSEMBLY**



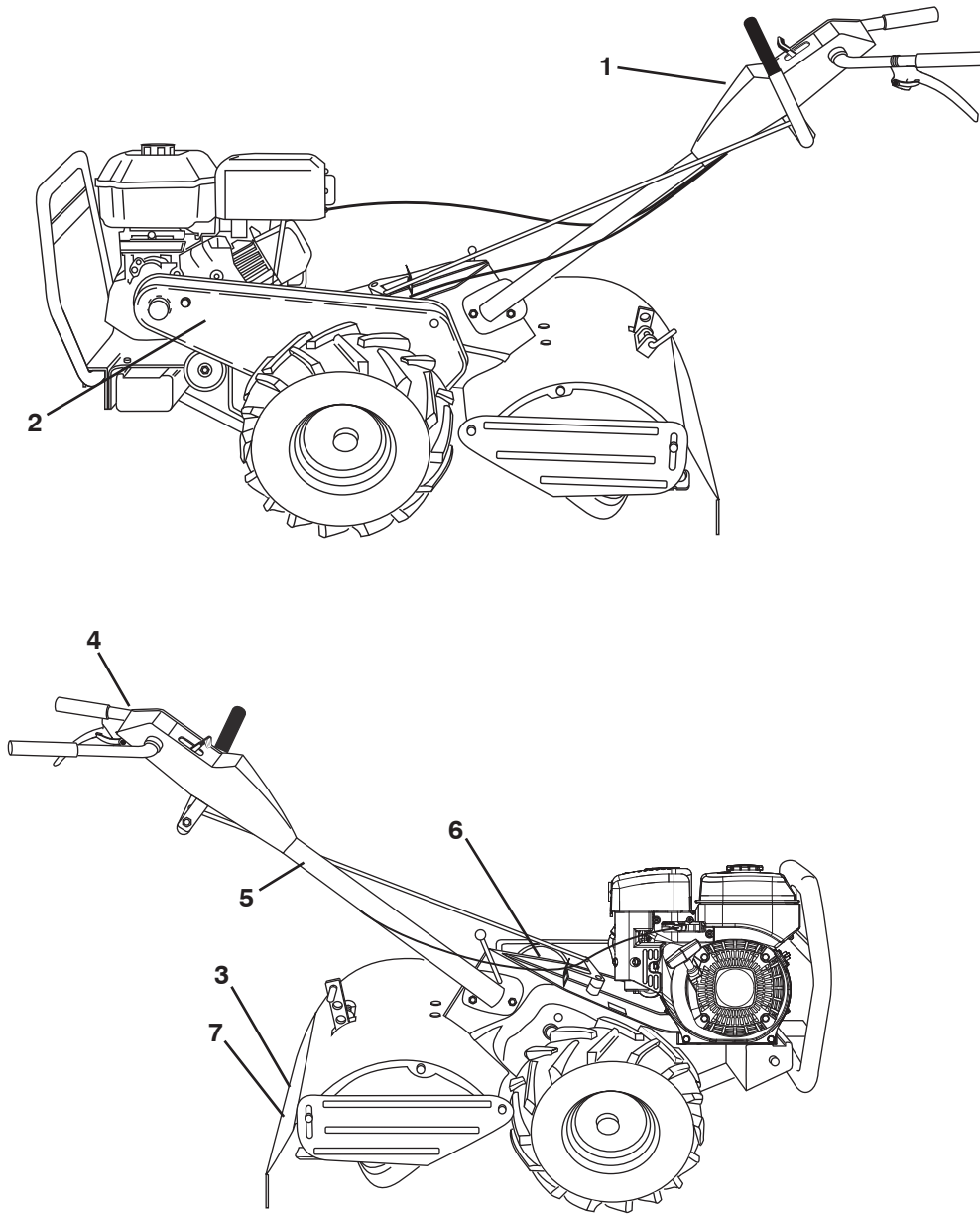
tine\_ipb\_6

| KEY PART NO. | PART NO.     | DESCRIPTION                       |
|--------------|--------------|-----------------------------------|
| 1            | 532 00 65-56 | Tine, Outer, L.H.                 |
| 3            | 532 10 11-94 | Tine, Inner, L.H.                 |
| 4            | 532 12 46-60 | Retainer Spring, Zinc             |
| 5            | 581 85 06-01 | Assembly, Hub and Plate           |
| 6            | 873 54 06-00 | Nut, Hex 3/8-24<br>(12 per side)  |
| 7            | 810 04 06-00 | Washer, Lock 3/8<br>(16 per side) |

| KEY PART NO. | PART NO.     | DESCRIPTION                                  |
|--------------|--------------|--|
| 8            | 874 61 06-16 | Bolt, Hex Head 3/8-24 x 1<br>(4 per side)    |
| 9            | 532 00 65-57 | Tine, Outer, R.H.                            |
| 12           | 874 61 06-24 | Bolt Hex Head 3/8-24 x 1-1/2<br>(8 per side) |
| 13           | 532 44 60-59 | Clevis Pin                                   |
| 15           | 532 10 11-93 | Tine, Inner, R.H.                            |

**NOTE:** All component dimensions given in U.S. inches.  
 1 inch = 25.4 mm

**HUSQVARNA TILLER - MODEL NUMBER TR530 (MFG. ID. NO. 96091001701)  
DECALS**



| KEY NO. | PART NO.     | DESCRIPTION                      |
|---------|--------------|----------------------------------|
| 1       | 532 43 35-46 | Decal, Logo                      |
| 2       | 532 42 91-96 | Decal, Logo                      |
| 3       | 532 14 54-37 | Decal, Europe Standard, CE       |
| 4       | 532 43 14-63 | Decal, Instruction, Tilling      |
| 5       | 532 15 98-77 | Decal, Hand Placement            |
| 6       | 532 13 85-46 | Decal, Shift Indicator           |
| 7       | 532 17 65-57 | Decal, Warning, 4-Symbol         |
| --      | 532 43 87-84 | Manual, Operator's, European     |
| --      | 532 43 87-85 | Manual, Operator's, Scandinavian |
| --      | 532 43 87-87 | Manual, Operator's, East Bloc    |
| --      | 532 43 87-89 | Manual, Operator's, Baltic       |