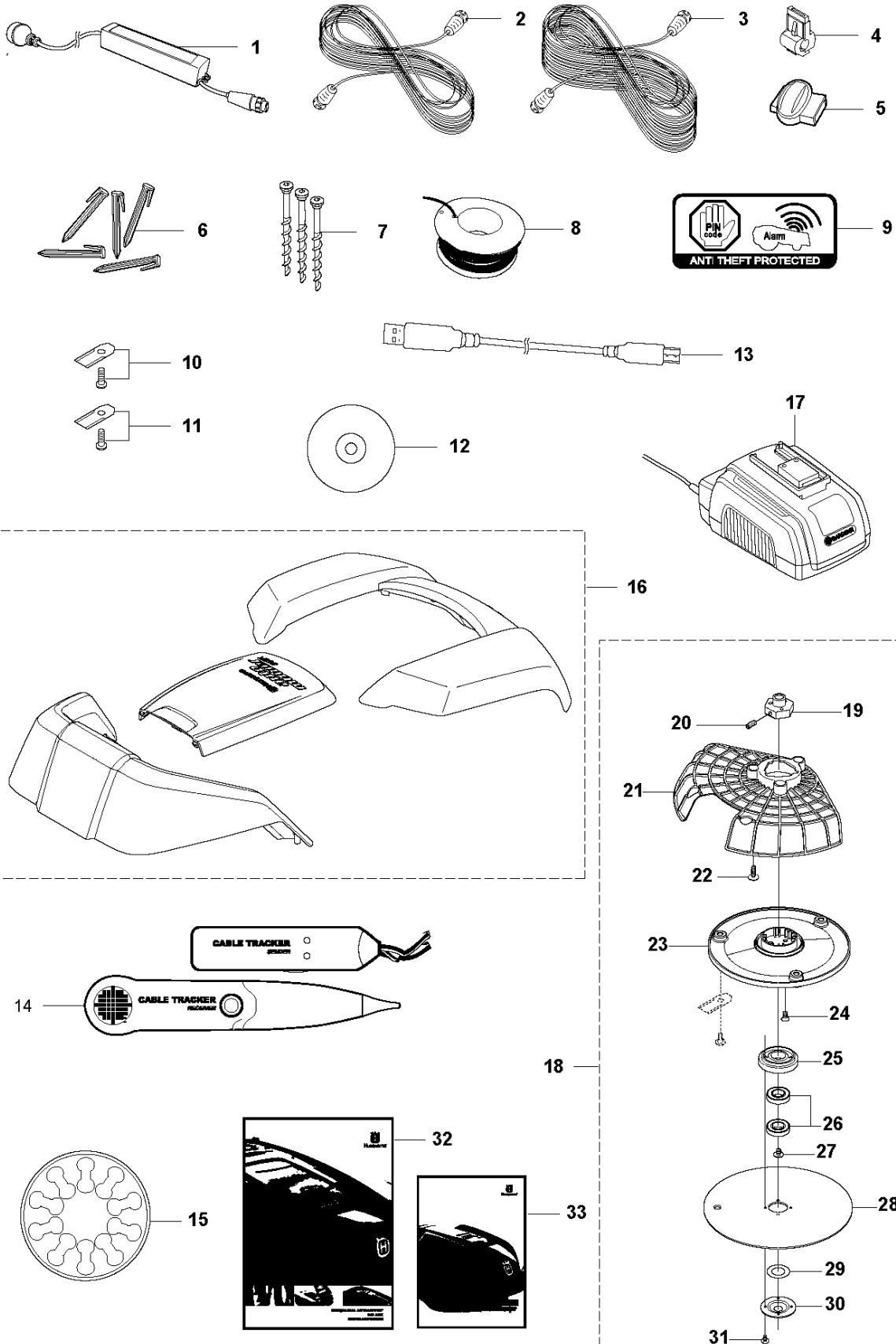




SPARE PARTS LIST

ROBOTIC LAWN MOWERS
AUTOMOWER 305, 2013-06

F AUTOMOWER 305
ACCESSORIES



ACCESSORIES

AUTOMOWER 305, 2013-06

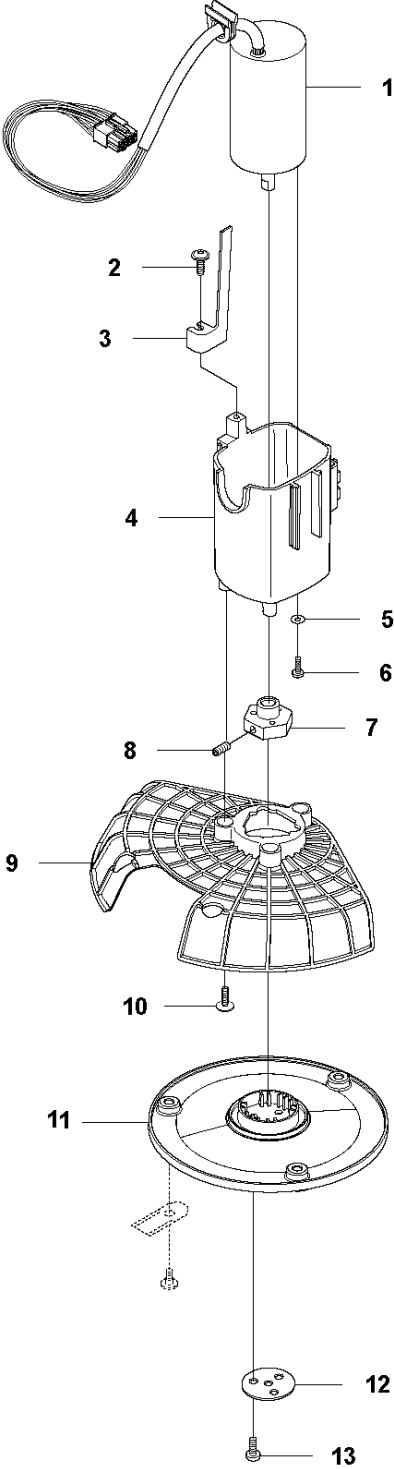
Ref	Part No	Description	Remark	QTY KIT
1	578 90 69-01	POWER UNIT	(EU)	1
1	578 90 69-02	POWER UNIT	(UK/IR)	1
1	578 90 69-03	POWER UNIT	(CH)	1
1	578 90 69-05	POWER UNIT	(AU/NZ)	1
2	577 23 35-01	CABLE	(10 m)	1
3	577 23 35-02	CABLE	(20 m)	1
4	535 12 90-01	COUPLER		1
4	577 86 48-01	CONNECTOR	(5pcs)	1
5	501 98 02-01	COUPLER	(1pcs)	1
5	577 86 47-01	COUPLER	(5 pcs)	1
5	501 98 02-02	COUPLER	(50pcs)	1
6	504 04 97-01	STAPLE	(100pcs)	1
6	577 86 42-01	STAPLE	(100pcs)	1
7	575 23 86-02	SCREW KIT	(3pcs)	1
7	577 86 49-01	SCREW	(3pcs)	1
8	501 98 03-02	WIRE	(150m)	1
8	577 86 43-01	WIRE	(150m)	1
8	580 66 20-03	WIRE	(200m)	1
8	501 98 03-01	WIRE	(250m)	1
9	535 13 16-01	LABEL		1
10	535 13 87-02	BLADE(9PCS)	(9pcs)	1
10	577 86 44-01	BLADE	(9pcs)	1
10	535 13 88-02	BLADE 30PCS	(30pcs)	1
10	505 12 78-02	BLADE	(500pcs)	1
11	577 60 64-02	BLADE	(9pcs)	1
11	577 86 46-01	BLADE	(9pcs)	1
11	577 60 65-02	BLADE	(30pcs)	1
11	577 60 66-02	BLADE	(300pcs)	1
12	577 85 81-02	DVD		1
13	577 51 81-01	CABLE		1
14	577 60 68-01	TEST EQUIPMENT		1
15	581 84 28-01	STICKER		1
16	580 96 54-01	BODY KIT		1
17	966 41 01-01	BATTERY CHARGER		1
18	584 97 34-01	SKID PLATE		1
19	580 79 31-01	HUB		1
20	576 21 35-01	SCREW IHSETM		1
21	577 85 02-02	GUARD		1
22	575 54 33-14	SCREW	(14mm)	3
23	580 79 28-01	CUTTING DISC		1
24	535 13 05-01	SCREW		3
25	535 12 64-01	BEARING BOX		1
26	535 07 57-02	BALL BEARING		1
27	535 07 60-01	SCREW		1
28	580 79 27-01	SKID PLATE		1
29	535 08 25-01	GASKET		1
30	535 08 15-01	COVER WASHER		1
31	575 54 33-10	SCREW		4
32	115 59 08-01	OPERATOR'S MANUAL	Swedish	1
32	115 59 08-06	OPERATOR'S MANUAL	Danish	1
32	115 59 08-11	OPERATOR'S MANUAL	Finnish	1
32	115 59 08-21	OPERATOR'S MANUAL	Norwegian	1
32	115 59 08-26	OPERATOR'S MANUAL	English	1
32	115 59 08-31	OPERATOR'S MANUAL	French	1
32	115 59 08-32	OPERATOR'S MANUAL	French (Canada)	1
32	115 59 08-36	OPERATOR'S MANUAL	Dutch	1
32	115 59 08-41	OPERATOR'S MANUAL	Italian	1
32	115 59 08-46	OPERATOR'S MANUAL	Spanish	1
32	115 59 08-51	OPERATOR'S MANUAL	German	1
32	115 59 08-56	OPERATOR'S MANUAL	Russian	1
32	115 59 08-58	OPERATOR'S MANUAL	Hungarian	1
32	115 59 08-59	OPERATOR'S MANUAL	Portuguese	1
32	115 59 08-61	OPERATOR'S MANUAL	Polish	1
32	115 59 08-62	OPERATOR'S MANUAL	Romanian	1

ACCESSORIES

AUTOMOWER 305, 2013-06

Ref	Part No	Description	Remark	QTY KIT
32	115 59 08-63	OPERATOR'S MANUAL	Estonian	1
32	115 59 08-64	OPERATOR'S MANUAL	Lettish	1
32	115 59 08-65	OPERATOR'S MANUAL	Lithuanian	1
32	115 59 08-68	OPERATOR'S MANUAL	Slovak	1
32	115 59 08-71	OPERATOR'S MANUAL	Greek	1
32	115 59 08-81	OPERATOR'S MANUAL	Turkish	1
32	115 59 08-84	OPERATOR'S MANUAL	Croatian	1
32	115 59 08-90	OPERATOR'S MANUAL	Slovenian	1
32	115 59 08-95	OPERATOR'S MANUAL	Czech	1
32	115 59 08-96	OPERATOR'S MANUAL	English (EPA, CARB)	1
33	115 49 22-01	QUICK GUIDE	Spanish (USA)	1
33	115 49 22-06	QUICK GUIDE	Swedish	1
33	115 49 22-11	QUICK GUIDE	Danish	1
33	115 49 22-21	QUICK GUIDE	Finnish	1
33	115 49 22-26	QUICK GUIDE	Norwegian	1
33	115 49 22-31	QUICK GUIDE	English	1
33	115 49 22-32	QUICK GUIDE	French	1
33	115 49 22-36	QUICK GUIDE	French (Canada)	1
33	115 49 22-41	QUICK GUIDE	Dutch	1
33	115 49 22-46	QUICK GUIDE	Italian	1
33	115 49 22-51	QUICK GUIDE	Spanish	1
33	115 49 22-56	QUICK GUIDE	German	1
33	115 49 22-58	QUICK GUIDE	Russian	1
33	115 49 22-59	QUICK GUIDE	Hungarian	1
33	115 49 22-61	QUICK GUIDE	Portuguese	1
33	115 49 22-62	QUICK GUIDE	Polish	1
33	115 49 22-63	QUICK GUIDE	Romanian	1
33	115 49 22-64	QUICK GUIDE	Estonian	1
33	115 49 22-65	QUICK GUIDE	Lettish	1
33	115 49 22-68	QUICK GUIDE	Lithuanian	1
33	115 49 22-71	QUICK GUIDE	Slovak	1
33	115 49 22-81	QUICK GUIDE	Greek	1
33	115 49 22-84	QUICK GUIDE	Turkish	1
33	115 49 22-90	QUICK GUIDE	Croatian	1
33	115 49 22-95	QUICK GUIDE	Slovenian	1
33	115492296	TBD	Czech	1

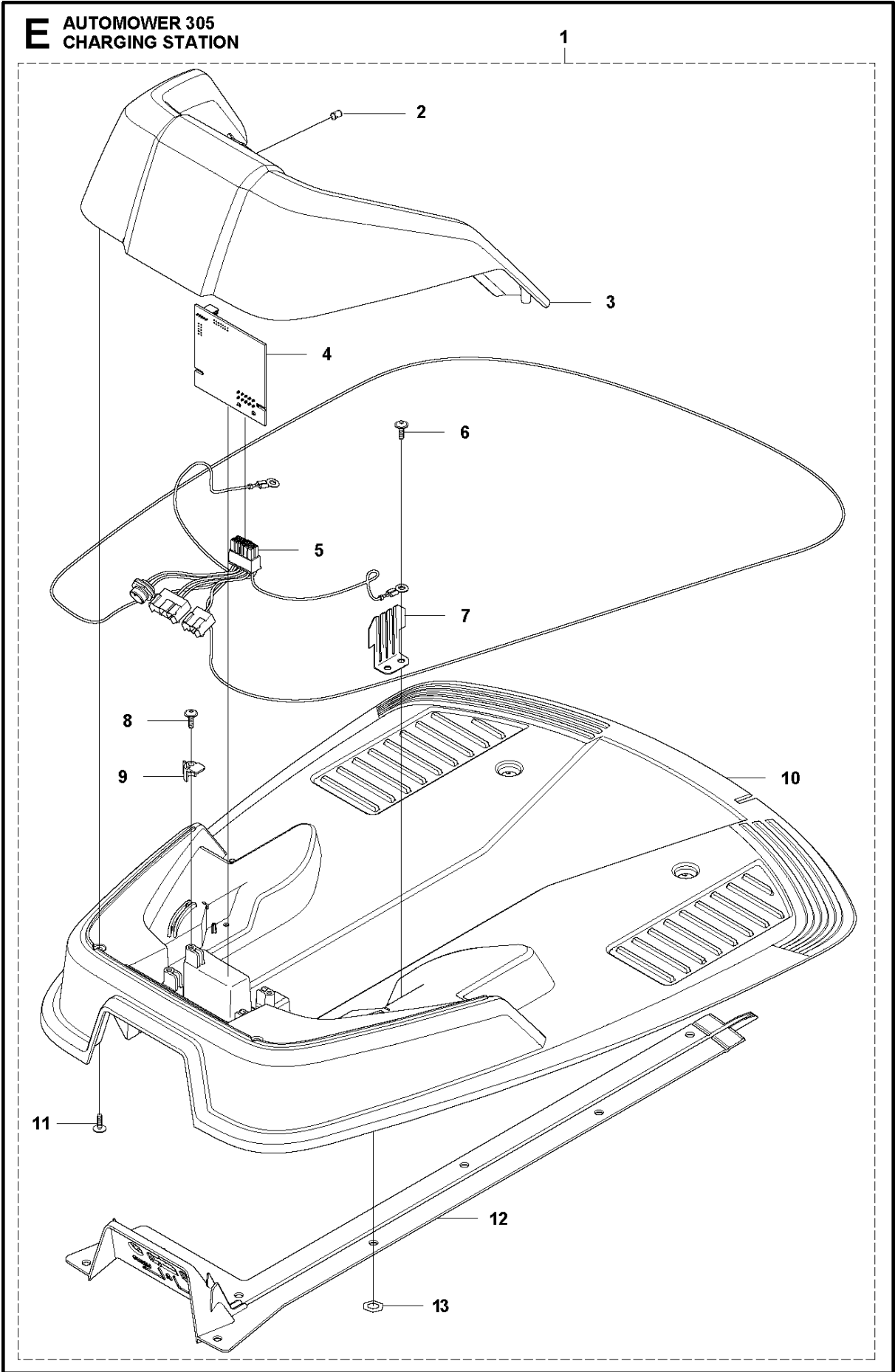
D AUTOMOWER 305
BLADE MOTOR & CUTTING EQUIPMENT



BLADE MOTOR & CUTTING EQUIPMENT

AUTOMOWER 305, 2013-06

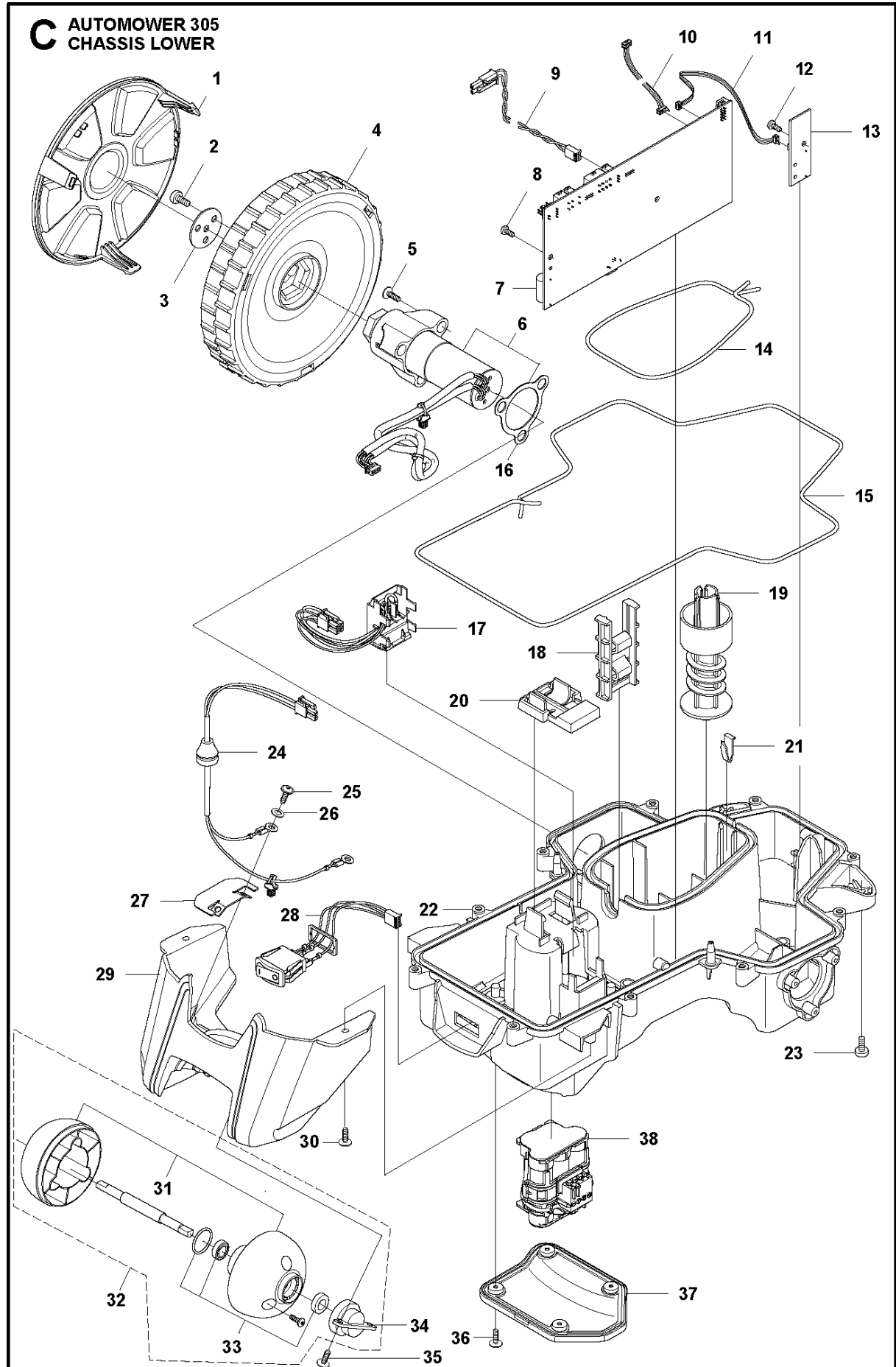
Ref	Part No	Description	Remark	QTY	KIT
1	574 46 89-01	MOTOR		1	
2	575 54 33-14	SCREW	grey (14mm)	1	
3	574 50 35-01	HEIGHT INDICATOR		1	
4	574 48 45-01	MOTOR HOUSING		1	
5	510 01 95-01	WASHER STEEL		3	
6	510 01 87-02	SCREW		3	
7	574 37 35-01	HUB		1	
8	576 21 35-01	SCREW IHSETM		1	
9	577 85 02-01	GUARD		1	
10	575 54 33-14	SCREW	grey (14mm)	3	
11	574 48 71-01	CUTTING DISC		1	12
12	577 09 32-01	WASHER		1	
13	576 21 38-01	SCREW ITXPANM		3	



CHARGING STATION

AUTOMOWER 305, 2013-06

Ref	Part No	Description	Remark	QTY KIT	
1	576 63 67-03	CHARGING STATION	WHITE	1	
1	576 63 67-04	CHARGING STATION	GREY	1	
2	535 12 87-02	DIODE LENS		1	1
3	575 70 84-01	CHARGING STATION	WHITE	1	1
3	575 70 84-02	CHARGING STATION	GREY	1	1
4	576 24 26-01	PRINTED CIRCUIT ASSY		1	1
5	574 47 65-01	LOOM		1	1
6	575 54 33-14	SCREW	grey (14mm)	2	1
7	575 85 00-01	CHARGER CONTACT		2	1
8	575 54 33-14	SCREW	grey (14mm)	2	1
9	535 12 79-01	BRACKET		2	1
10	575 70 83-02	CHARGING STATION		1	1
11	575 54 33-14	SCREW	grey (14mm)	4	1
12	575 70 85-01	CHARGING STATION		1	1
13	577 51 22-01	NUT		19	1

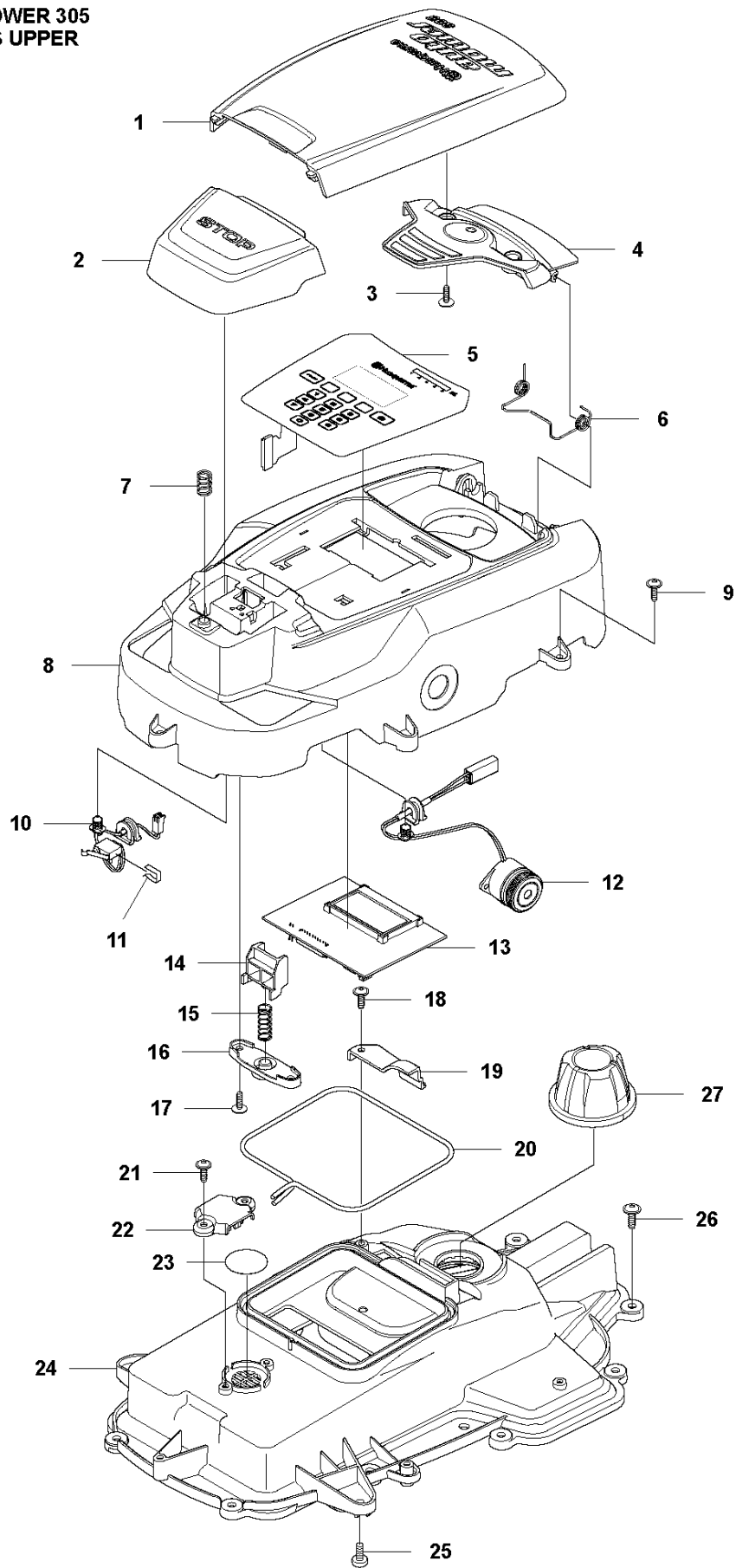


CHASSIS LOWER

AUTOMOWER 305, 2013-06

Ref	Part No	Description	Remark	QTY	KIT
1	577 70 79-01	HUB CAP		2	
2	576 21 39-02	SCREW ITXPANM		6	
3	577 09 32-01	WASHER		2	
4	574 46 51-01	WHEEL		2	
5	575 54 33-14	SCREW	grey (14mm)	6	
6	577 83 99-02	WHEEL MOTOR ASSY		2	
7	575 64 05-01	PRINTED CIRCUIT ASSY		1	
8	535 13 03-10	SCREW ITXPANT	(10mm)	2	
9	576 22 02-01	LOOM		1	
10	574 47 92-01	LOOM		1	
11	574 47 90-01	LOOM		1	
12	535 13 03-10	SCREW ITXPANT	(10mm)	1	
13	575 64 09-01	PRINTED CIRCUIT ASSY		1	
14	577 75 36-02	KIT	(10 pcs)	1	
15	577 84 36-02	SEALING STRIP	(10 pcs)	1	
16	574 37 37-01	GASKET		2	6
17	574 47 98-01	LOOM		1	
18	574 50 19-01	GUIDE RAIL		2	
19	574 48 46-01	SCREW		1	
20	575 40 82-01	LOCK		1	
21	577 10 32-01	LOCKING SPRING		1	
22	577 84 62-01	CHASSIS		1	
23	576 21 39-01	SCREW ITXPANM		2	
24	574 47 77-02	LOOM		1	
25	575 54 33-14	SCREW	grey (14mm)	2	
26	535 08 74-01	WASHER		2	
27	574 49 00-01	CHARGING PLATE		2	
28	574 47 94-01	SWITCH		1	
29	574 46 72-01	HOUSING		1	
30	575 54 33-14	SCREW	(14mm)	3	
31	583 85 39-01	REAR WHEEL		1	32
32	578 27 51-01	REAR WHEEL		1	
33	578 27 52-01	REAR WHEEL	Bearing (x2), sealing (x2), O-ring (x1)	1	32
34	577 71 50-01	BEARING HOUSING		2	32
35	575 54 33-14	SCREW	grey (14mm)	4	
36	574 45 01-01	SCREW ITXPANT		4	
37	574 46 73-01	COVER		1	
38	574 47 68-01	BATTERY	18V	1	

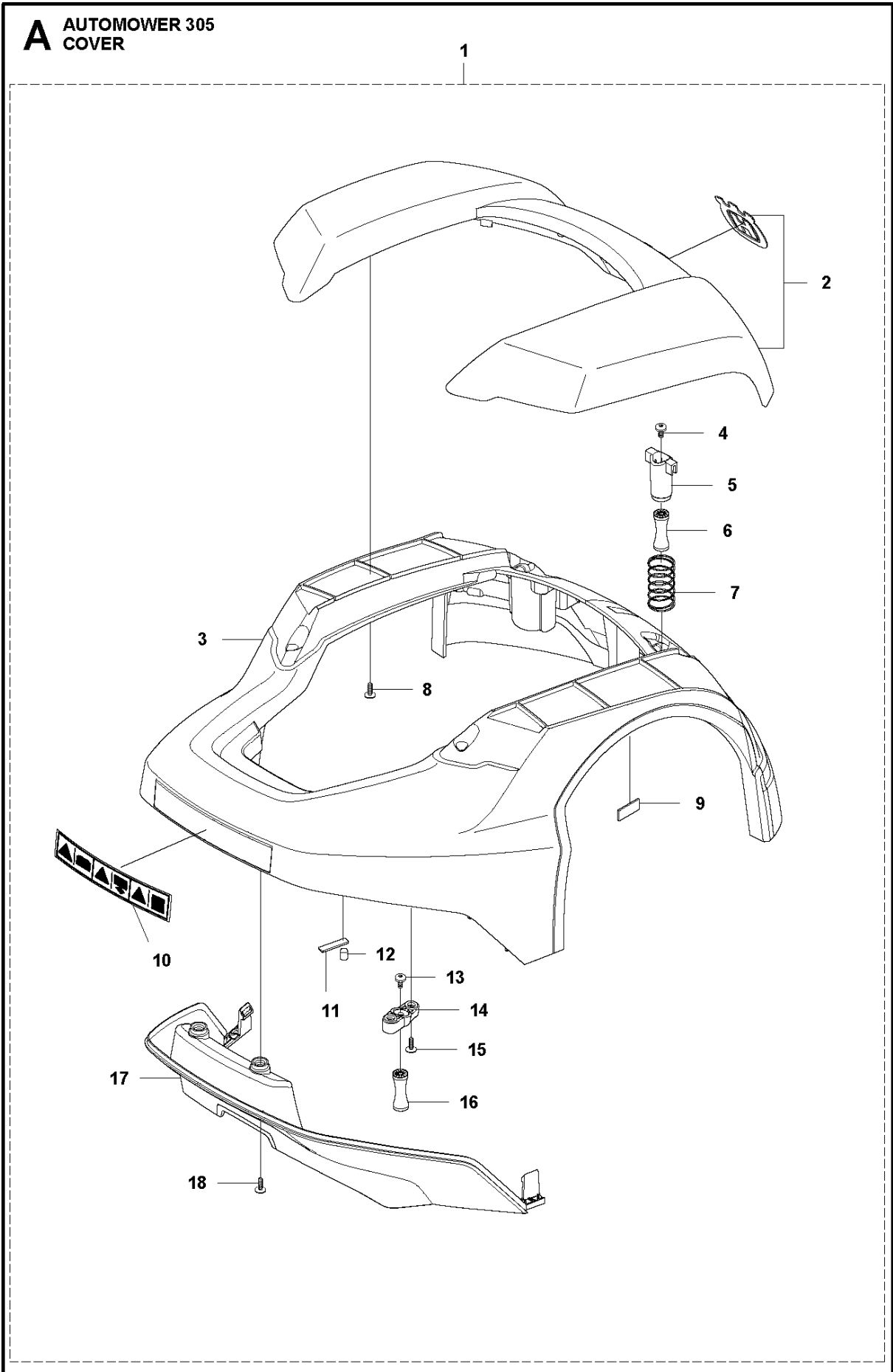
B AUTOMOWER 305
CHASSIS UPPER



CHASSIS UPPER

AUTOMOWER 305, 2013-06

Ref	Part No	Description	Remark	QTY KIT
1	574 37 81-01	COVER	WHITE	1
1	574 37 81-02	COVER	GREY	1
2	574 46 47-01	BUTTON		1
3	575 54 33-14	SCREW	(14mm)	2
4	574 37 79-01	HINGE		1
5	575 77 94-01	KEYBOARD		1 8
6	576 24 21-01	SPRING		1
7	574 48 70-01	SPRING		1
8	577 75 28-02	KIT		1
9	575 54 33-14	SCREW	(14mm)	5
10	574 48 03-01	SWITCH		1
11	535 08 98-01	CLIPS		1
12	574 47 59-01	BUZZER		1
13	575 64 01-01	PRINTED CIRCUIT ASSY		1
14	575 40 90-01	LOCK		1
15	576 24 22-01	SPRING		1
16	575 41 58-01	SPRING HOLDER		1
17	575 54 33-14	SCREW	(14mm)	2
18	575 54 33-14	SCREW	(14mm)	1
19	576 05 39-01	COVER		1
20	577 75 36-02	KIT	(10 pcs)	1
21	575 54 33-14	SCREW	(14mm)	2
22	576 69 70-01	COVER		1
23	577 75 37-01	KIT	(10 pcs)	1
24	577 75 29-01	KIT		1
25	576 21 39-01	SCREW ITXPANM		2
26	574 45 01-01	SCREW ITXPANT		10
27	579 74 24-01	KNOB		1



COVER

AUTOMOWER 305, 2013-06

Ref	Part No	Description	Remark	QTY KIT
1	577 95 53-01	BODY SYSTEM	White	1
1	577 95 53-02	BODY SYSTEM	Grey	1
2	577 73 47-01	KIT	WHITE	1
2	577 73 47-02	KIT	GREY	1
3	577 74 72-02	KIT		1
4	576 21 39-01	SCREW ITPANM		2
5	574 46 90-02	BRACKET		2
6	574 46 91-02	RUBBER DAMPER		2
7	574 48 51-02	SPRING		2
8	575 54 33-14	SCREW	grey (14mm)	7
9	576 18 32-01	MAGNET		1 3
10	576 24 00-01	LABEL WARNING		1 3
11	576 03 01-01	PLATE		1 3
12	576 18 33-01	MAGNET		1 3
13	576 21 39-01	SCREW ITPANM		2
14	575 41 60-02	SUPPORT CLAMP		2
15	575 54 33-14	SCREW	grey (14mm)	4
16	574 46 91-02	RUBBER DAMPER		2
17	574 46 52-01	BUMPER		1
18	575 54 33-14	SCREW	grey (14mm)	2