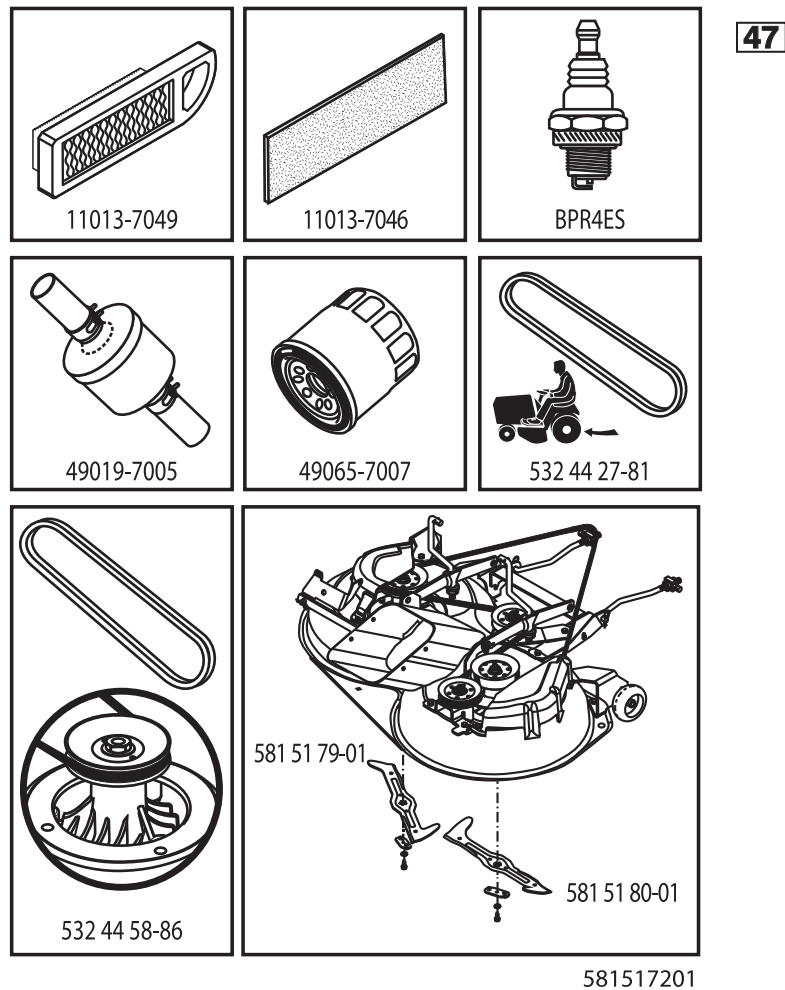


ILLUSTRATED PARTS LIST

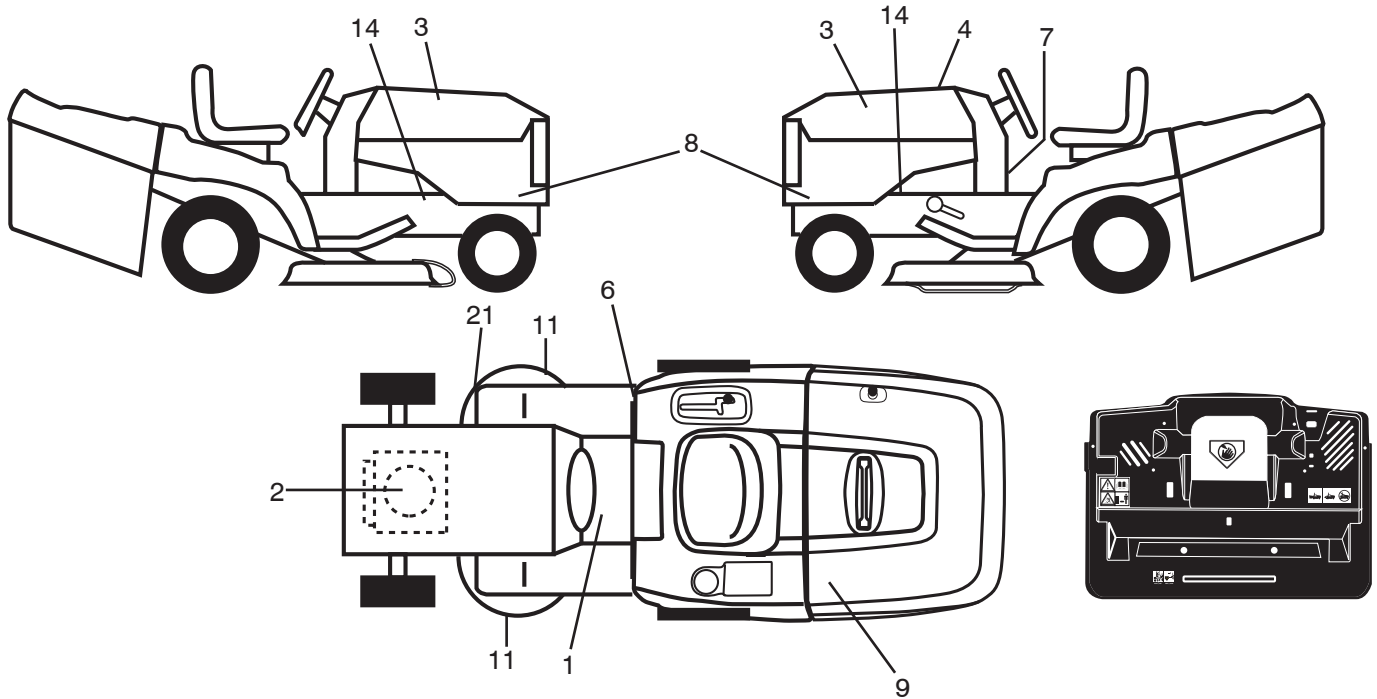
MFG. ID NO. 96051007600

CUSTOMER CATALOG NO. CTH 184T

PRODUCT NO. 960 51 00-76



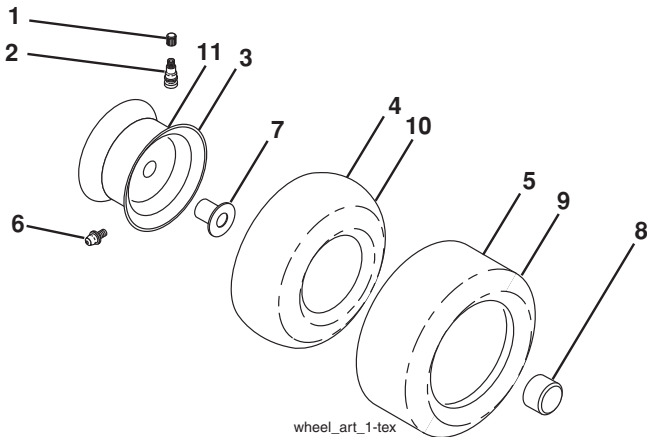
TRACTOR - MODEL NO. CTH 184T (96051007600), PRODUCT NO. 96051 00-76
DECALS 27



| KEY NO. | PART NO. | DESCRIPTION |
|---------|--------------|----------------------------------|
| 1 | 581 57 83-01 | Decal, Warning |
| 2 | 581 57 97-01 | Decal, Warning Eng. Sym. |
| 3 | 532 42 91-96 | Decal, Hood |
| 4 | 581 51 72-01 | Decal, Replacement |
| 6 | 581 72 41-01 | Decal, 100 DBA |
| 7 | 532 44 02-47 | Decal, Lower Dash |
| 8 | 532 44 61-58 | Decal, Side Panel |
| 9 | 581 57 85-01 | Decal, Warn CRD Bagger Elec Dump |
| 11 | 581 57 91-01 | Decal, Cut finger |
| 14 | 581 57 96-01 | Decal, Chassis Hot Muffler |

| KEY NO. | PART NO. | DESCRIPTION |
|---------|--------------|----------------------------|
| 21 | 532 44 11-89 | Decal, Belt |
| -- | 532 44 46-19 | Decal, Bypass |
| -- | 532 44 54-93 | Decal, Warning Combined |
| -- | 532 44 51-02 | Decal, Battery Door |
| -- | 532 44 14-09 | Pad Footrest LH |
| -- | 532 44 14-10 | Pad Footrest RH |
| -- | 581 52 39-40 | Manual Operator's (Euro) |
| -- | 581 52 39-50 | Manual Operator's (Scan) |
| -- | 581 52 39-20 | Manual Operator's (E-Bloc) |
| -- | 581 52 39-30 | Manual Operator's (Baltic) |

WHEELS AND TIRES



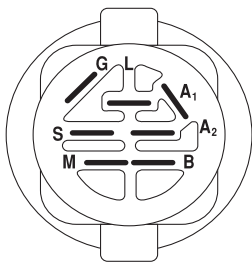
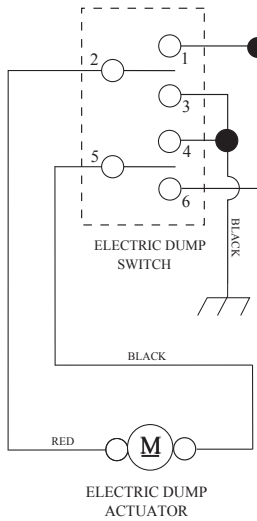
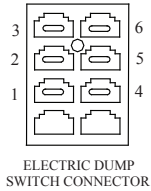
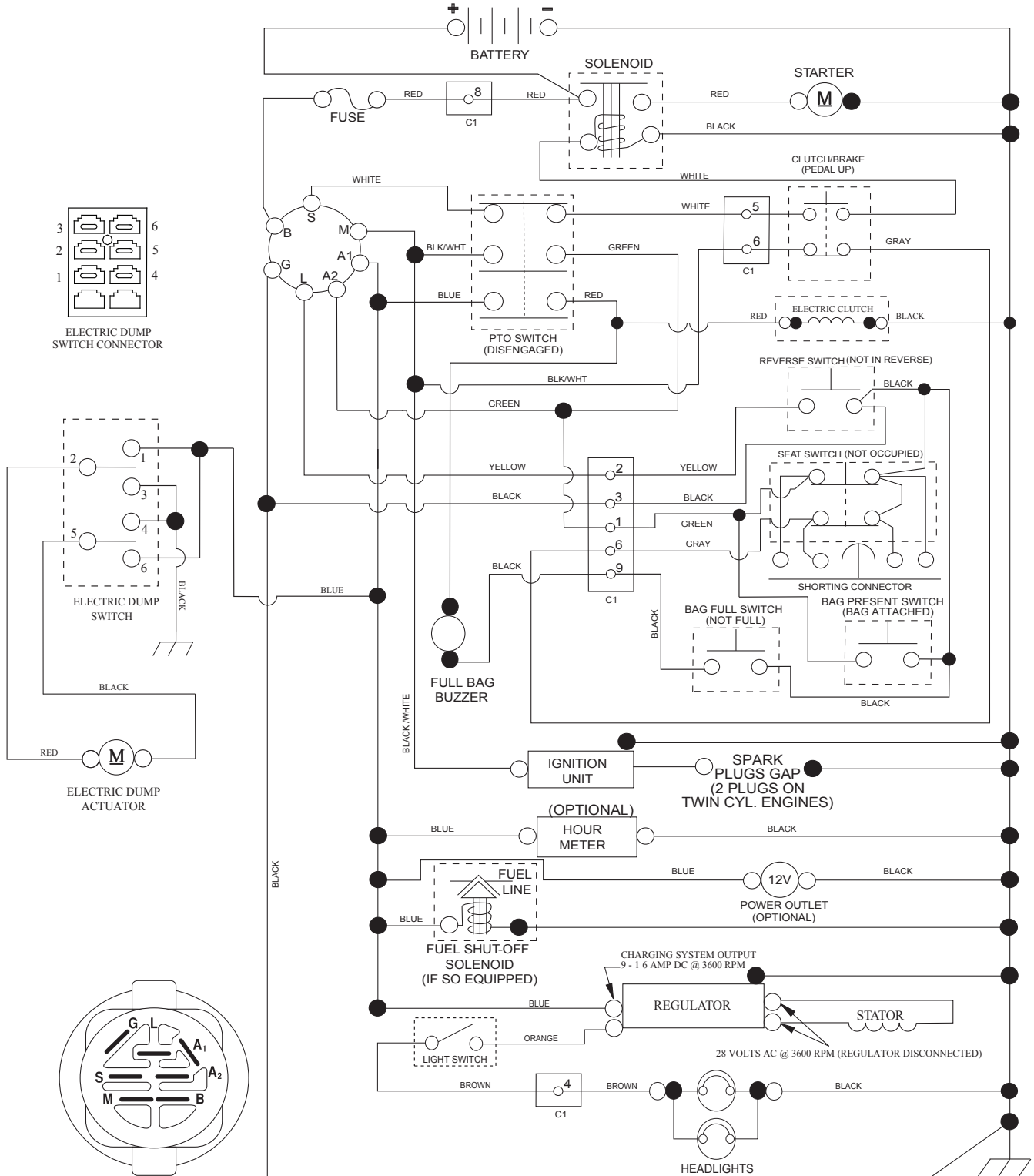
| KEY NO. | PART NO. | DESCRIPTION |
|---------|--------------|-----------------------------------|
| 1 | 532 05 91-92 | Cap Valve Tire |
| 2 | 532 06 51-39 | Stem Valve |
| 3 | 532 13 83-36 | Rim Front |
| 4 | 532 05 99-04 | Tube Front (Service Item Only) |
| 5 | 532 10 62-22 | Tire Front 15 x 6.0-6 |
| 6 | 532 12 49-57 | Fitting Grease (Front Wheel Only) |
| 7 | 532 12 49-59 | Bearing Flange (Front Wheel Only) |
| 8 | 532 17 50-39 | Cap Axle Blk 1 50 x 1 00 |
| 9 | 532 42 05-31 | Tire R 18 x 9.5-8 |
| 10 | 532 12 49-26 | Tube Rear (Service Item Only) |
| 11 | 532 13 83-37 | Rim Asm 8" Rear |
| -- | 532 14 43-34 | Sealant, Tire (10 oz. Tube) |

NOTE: All component dimensions given in U.S. inches
 1 inch = 25.4 mm

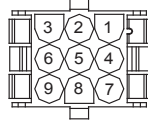
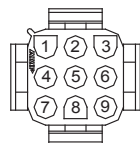
TRACTOR - MODEL NO. CTH 184T (96051007600), PRODUCT NO. 960 51 00-76

SCHEMATIC **38**

SCH25



| POSITION | CIRCUIT | "MAKE" |
|--------------|------------|--------|
| OFF | M+G+A1 | |
| RUN/OVERRIDE | B+A1 | |
| RUN | B+A1 | L+A2 |
| START | B + S + A1 | |



WIRING INSULATED CLIPS
NOTE: IF WIRING INSULATED CLIPS WERE REMOVED FOR SERVICING OF UNIT, THEY SHOULD BE RE-INSTALLED TO PROPERLY SECURE YOUR WIRING.

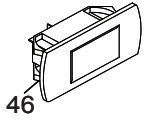
NON-REMOVABLE CONNECTIONS

REMOVABLE CONNECTIONS

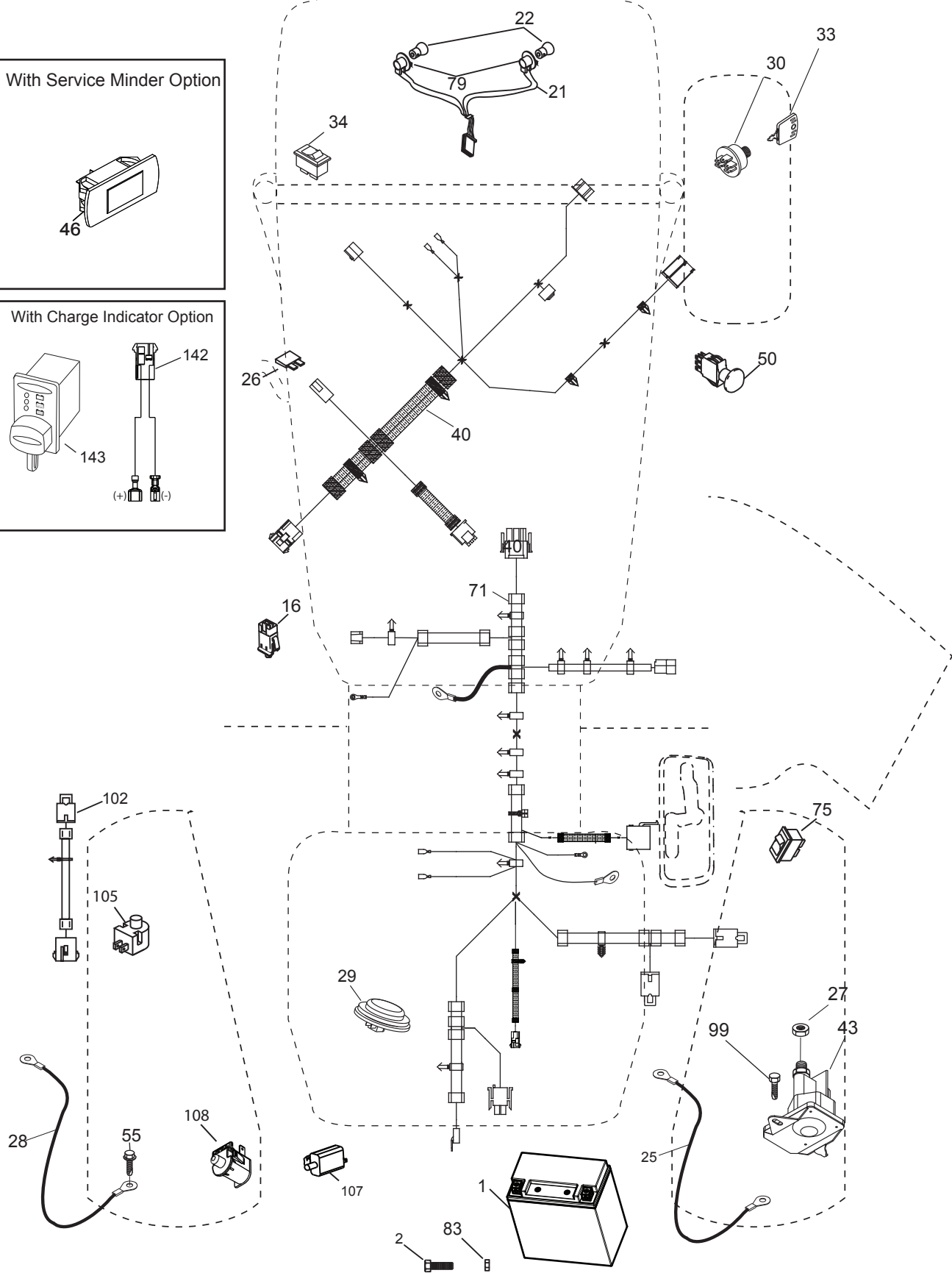
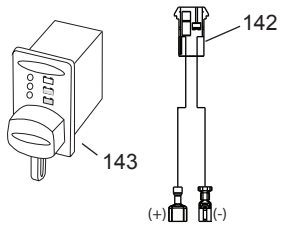
TRACTOR - MODEL NO. CTH 184T (96051007600), PRODUCT NO. 96051 00-76
ELECTRICAL 32

TC10S

With Service Minder Option



With Charge Indicator Option

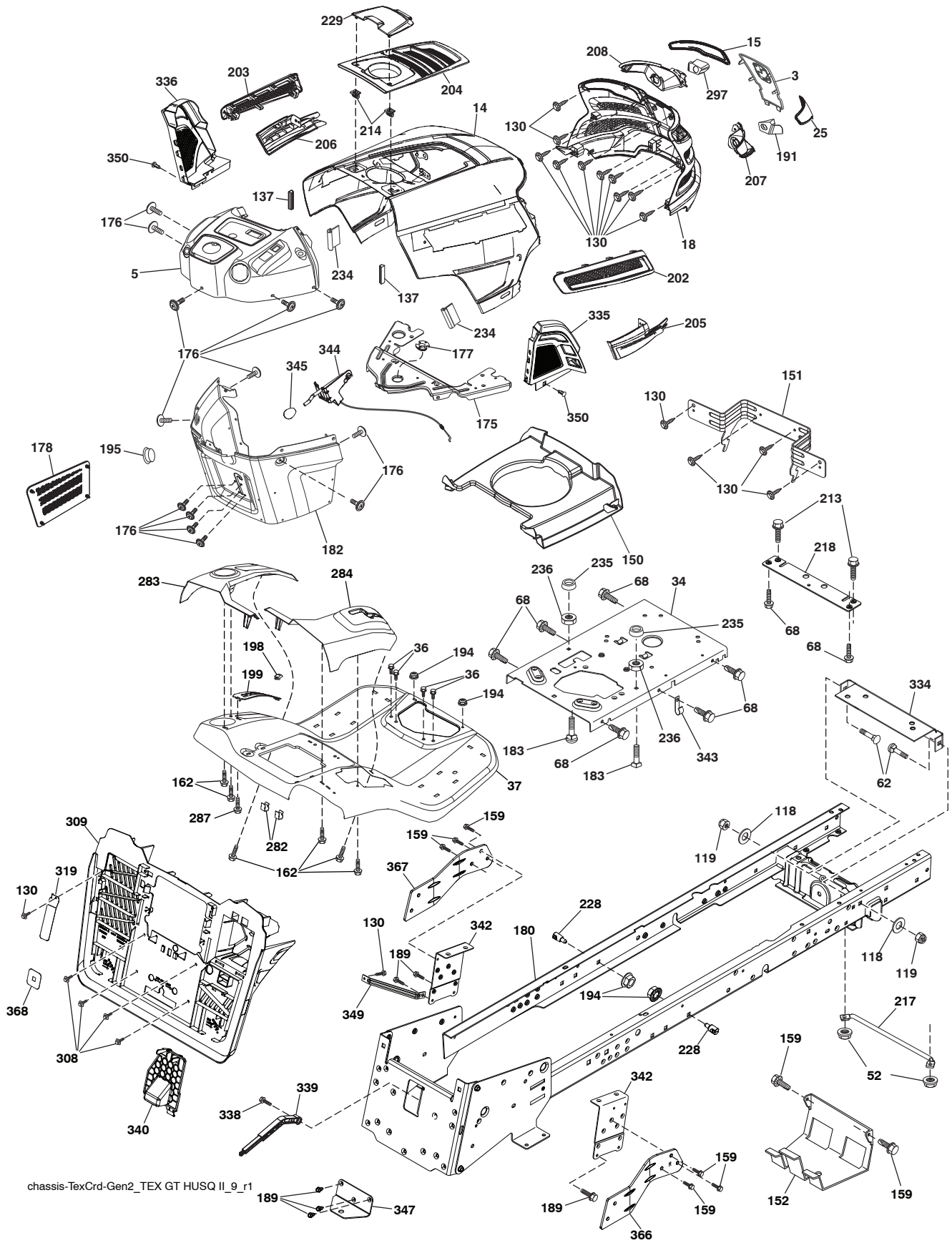


**TRACTOR - MODEL NO. CTH 184T (96051007600), PRODUCT NO. 960 51 00-76
ELECTRICAL 32**

| KEY NO. | PART NO. | DESCRIPTION |
|----------------|-----------------|---------------------------------|
| 1 | 532 43 71-57 | Battery |
| 2 | 532 44 09-23 | Screw Hex Hd Cap M6 x 1.12MM |
| 16 | 532 17 61-38 | Switch Interlock Push-In |
| 21 | 532 40 02-52 | Harness Light w/4152J |
| 22 | 532 00 41-52 | Bulb Light |
| 25 | 532 44 13-82 | Cable Starter |
| 26 | 532 17 51-58 | Fuse |
| 27 | 873 51 04-00 | Nut Keps Hex 1/4-20 unc |
| 28 | 532 44 13-83 | Cable, Ground |
| 29 | 532 40 15-45 | Switch, Seat |
| 30 | 532 19 33-50 | Switch, Ign |
| 33 | 532 41 19-35 | Key/Chain |
| 34 | 532 11 07-12 | Switch Light/Reset |
| 40 | 581 68 64-01 | Harness Ign. Dash/Lift |
| 43 | 532 19 25-07 | Solenoid |
| 46 | 532 40 17-63 | Gauge Serviceminder Hrmtr |
| 50 | 532 17 46-51 | Switch PTO |
| 55 | 817 06 05-12 | Screw Thdrol 5/16-18 x 3/4 TYTT |
| 71 | 581 68 64-02 | Harness Ignition Chassis/Lift |
| 75 | 532 44 45-34 | Switch Bag Dump |
| 79 | 532 17 52-42 | Socket Asm. Bulb |
| 83 | 532 43 67-74 | Nut Square M6 x 1.8.5 x 11MM |
| 99 | 817 72 04-08 | Screw 1/4-20 x 1/2 |
| 102 | 532 44 12-62 | Harness Jumper |
| 105 | 532 40 75-68 | Switch Reverse |
| 107 | 532 18 03-79 | Switch Full Bagger |
| 108 | 532 42 10-62 | Switch Snapmount |
| 142 | 532 44 80-57 | Harness Jumper CTEK |

NOTE: All component dimensions given in U.S. inches
1 inch = 25.4 mm

TRACTOR - MODEL NO. CTH 184T (96051007600), PRODUCT NO. 96051 00-76
CHASSIS AND ENCLOSURES 39



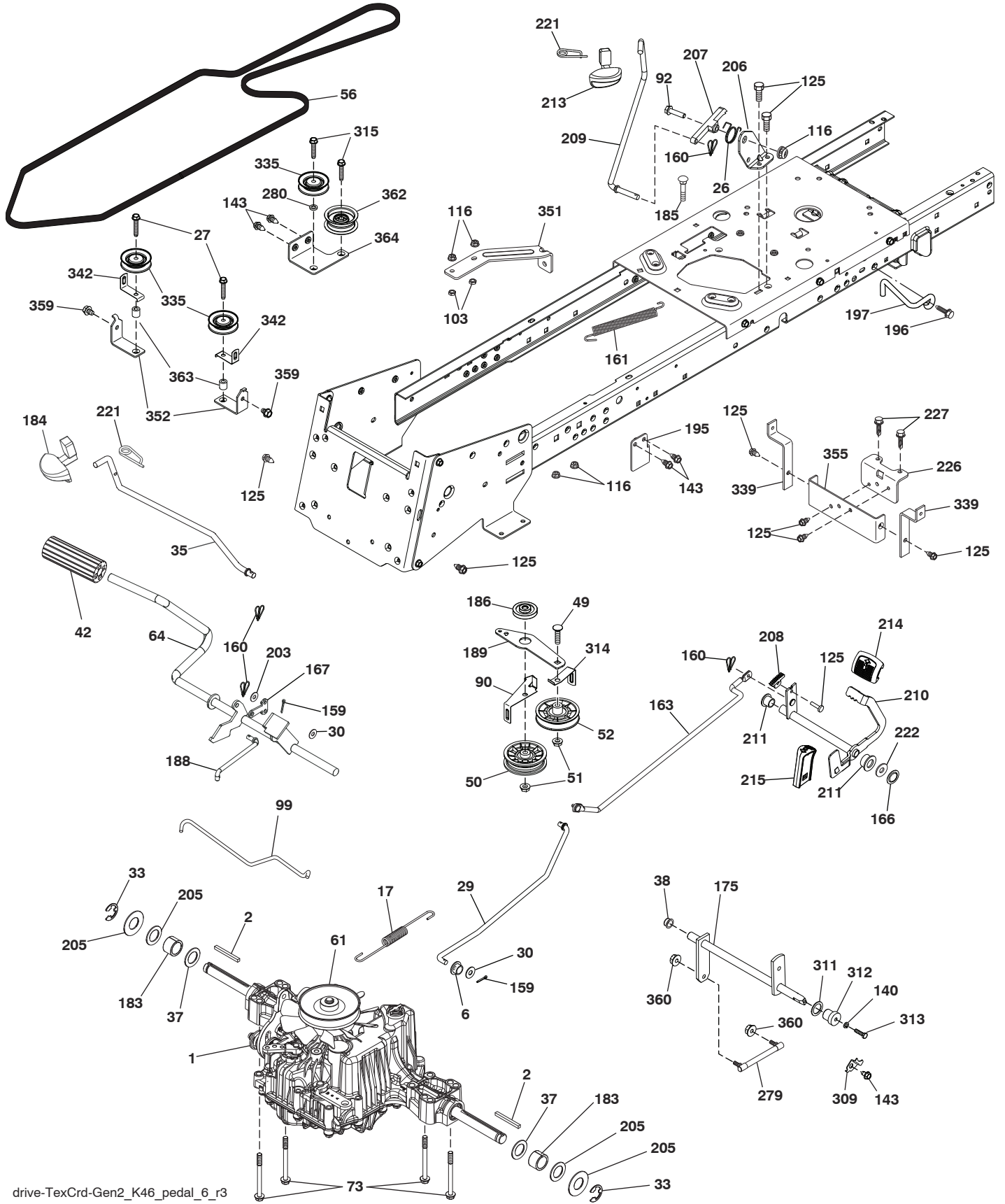
chassis-TexCrd-Gen2_TEX GT HUSQ II_9_r1

**TRACTOR - MODEL NO. CTH 184T (96051007600), PRODUCT NO. 960 51 00-76
CHASSIS AND ENCLOSURES 39**

| KEY NO. | PART NO. | DESCRIPTION | KEY NO. | PART NO. | DESCRIPTION |
|------------|--------------|---------------------------------|------------|--------------|--------------------------|
| 3 | 532 43 97-52 | Applique | 207 | 532 43 97-34 | Bezel RH |
| 5 | 532 43 74-84 | Dash | 208 | 532 43 97-35 | Bezel LH |
| 14 | 532 44 11-77 | Hood | 213 | 874 76 05-12 | Bolt 5/16-18 x 3/4 |
| 15 | 532 43 97-33 | Lens LH | 214 | 532 19 91-45 | Clip Retainer Tinner |
| 18 | 532 44 06-53 | Grille | 217 | 532 40 91-67 | Rod Pivot |
| 25 | 532 44 33-85 | Lens RH | 218 | 532 19 63-95 | X-Piece Hood Stop |
| 34 | 580 91 09-01 | Plate Engine | 228 | 532 19 51-61 | Stud Fastner |
| 36 | 817 06 05-12 | Screw 5/16-18 x 3/4 | 229 | 532 44 14-63 | Lid Ext |
| 37 | 532 44 14-19 | Fender | 234 | 532 40 47-42 | Bumper Hood |
| 52 | 873 68 05-00 | Nut Lock 5/16-18 | 235 | 532 40 61-29 | Spacer Fender |
| 62 | 872 11 06-08 | Bolt RdHd Sqnk 3/8-16 x 1 Gr. 5 | 236 | 873 93 05-00 | Nut Lock 5/16-18 unc |
| 68 | 817 49 05-08 | Screw Thdrol 5/16-18 x 1/2 | 282 | 532 41 41-10 | Clip Retainer |
| 118 | 819 13 13-16 | Washer 13/32 x 13/16 x 16 Ga. | 283 | 532 44 72-12 | Console Deck Lift LH |
| 119 | 873 68 06-00 | Nut Crownlock 3/8-16 unc | 284 | 532 44 73-17 | Console Shft RH |
| 130 | 532 41 63-58 | Screw #10 x 0.750 | 287 | 817 60 04-06 | Screw 1/4-20 x 3/8 |
| 137 | 532 40 75-90 | Bumper Dash | 297 | 532 43 74-56 | Insert Reflective LH |
| 150 | 532 43 97-74 | Air Duct | 308 | 532 17 18-77 | Bolt 5/16-18 unc x 3/4 |
| 151 | 532 43 66-70 | Bracket Pivot | 309 | 581 32 89-07 | Backplate |
| 152 | 532 43 98-70 | Shield Browning | 319 | 581 31 39-06 | Lever Bag Presence |
| 159 | 817 00 06-12 | Screw Hexwsh Thrd 3/8-16 x 3/4 | 334 | 532 44 25-37 | Bracket Engine |
| 162 | 532 14 24-32 | Screw | 335 | 532 44 82-04 | Cover RH Lower Close Out |
| 175 | 532 19 63-04 | Crossmember | 336 | 532 44 53-09 | Cover LH Lower Close Out |
| 176 | 532 40 07-76 | Screw 10-24 x 5/8 | 338 | 532 43 66-40 | Bolt Shoulder |
| 177 | 532 19 52-27 | Bushing Steering | 339 | 532 43 66-41 | Lever Bagger Full |
| 178 | 532 19 97-82 | Cargo Asm. Net | 340 | 581 32 90-01 | Door Battery |
| 180 | 583 90 27-01 | Chassis | 342 | 532 43 59-38 | Supprt Fender |
| 182 | 532 43 89-67 | Dash Lower | 343 | 532 44 07-49 | Clip |
| 183 | 874 52 05-20 | Bolt 5/16-18 x 1-1/4 | 344 | 532 43 89-70 | Control EZ Mulch |
| 189 | 817 00 05-12 | Screw 5/16-18 x 3/4 | 345 | 532 44 06-39 | Knob |
| 191 | 532 43 74-55 | Insert Reflective RH | 347 | 532 44 28-87 | Hitch Tow |
| 194 | 873 90 05-00 | Nut Lock Hex Flange 5/16-18 | 349 | 532 43 66-06 | Bracket Support |
| 195 | 532 40 41-37 | Plug Hole Dash Lower | 350 | 532 44 51-43 | Clip X-Mas Tree |
| 198 | 532 44 15-52 | Indicator Deck Lift | 366 | 581 31 46-02 | Bracket RH Front Bagger |
| 199 | 532 41 87-39 | Plate Deck Lift | 367 | 581 31 45-02 | Bracket LH Front Bagger |
| 202 | 532 43 97-28 | Vent Side Hood RH | 368 | 581 42 48-01 | Full Lever Bagger |
| 203 | 532 43 97-27 | Vent Side Hood LH | -- | 532 40 09-44 | Kit Guard Brush |
| 204 | 532 44 06-65 | Vent Top Hood | | | |
| 205 | 532 43 97-30 | Skirt Hood Side RH | | | |
| 206 | 532 43 97-29 | Trim Side LH | | | |

NOTE: All component dimensions given in U.S. inches
1 inch = 25.4 mm

TRACTOR - MODEL NO. CTH 184T (96051007600), PRODUCT NO. 96051 00-76
DRIVE 40



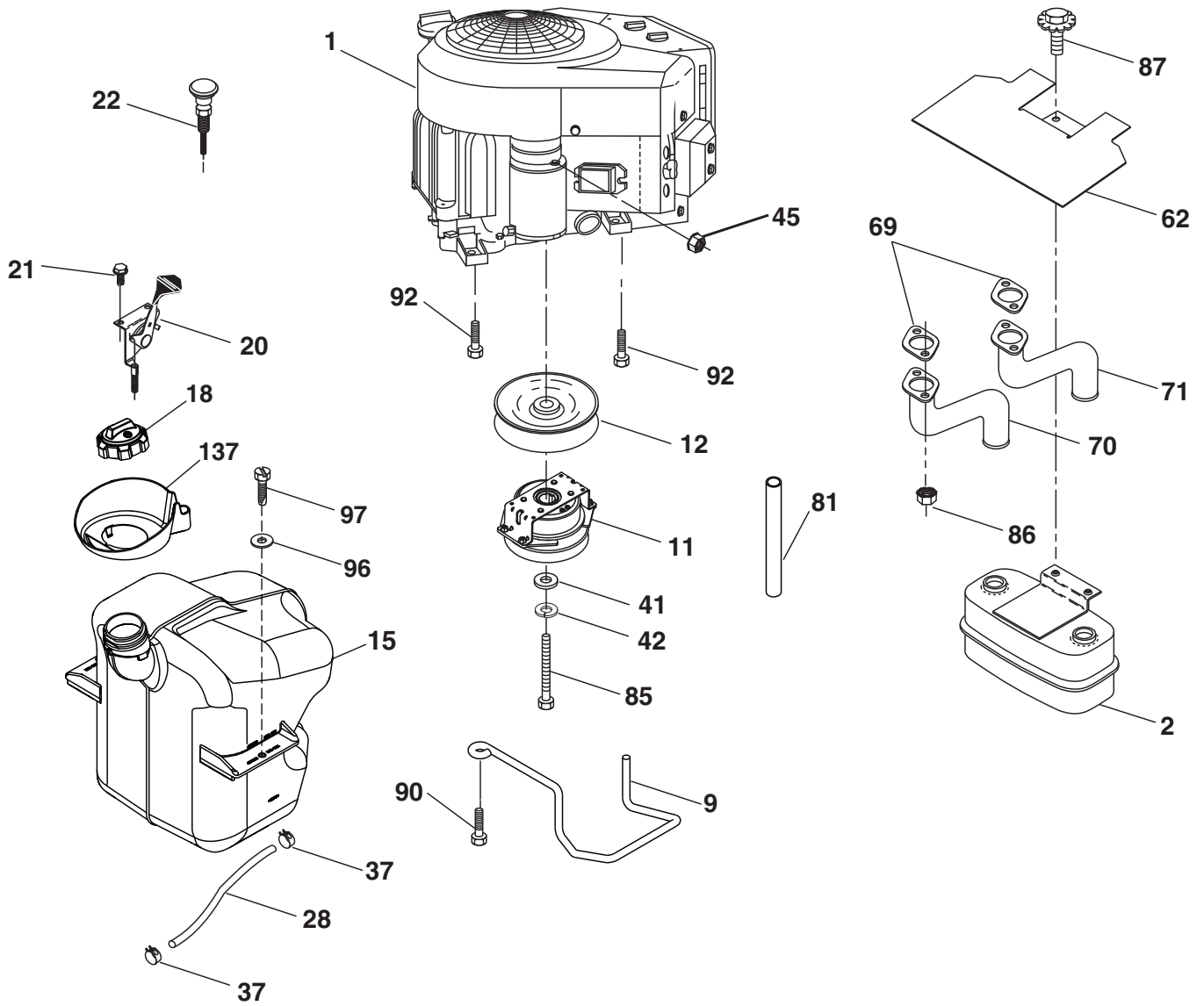
drive-TexCrd-Gen2_K46_pedal_6_r3

**TRACTOR - MODEL NO. CTH 184T (96051007600), PRODUCT NO. 960 51 00-76
DRIVE 40**

| KEY NO. | PART NO. | DESCRIPTION | KEY NO. | PART NO. | DESCRIPTION |
|---------|--------------|--|---------|--------------|----------------------------------|
| 1 | ----- | Transaxle, TUFFTORQ K46DF (446488) (Order parts from trans-axle manufacturer.) | 189 | 532 43 36-11 | Bellcrank Ground Drive |
| 2 | 532 12 35-83 | Key Square | 195 | 580 45 69-01 | Bracket Rod Brake CRD Tex |
| 6 | 532 12 40-28 | Bushing Snap | 196 | 817 00 06-16 | Screw 3/8-16 x 1 Smgml Tap/R Blk |
| 17 | 532 43 62-27 | Spring Brake K46 | 197 | 585 65 86-01 | Link Clutch Anti-Rotation |
| 26 | 532 19 96-79 | Spring Return Cruise | 203 | 819 11 11-16 | Washer 11/32 x 11/16 x 16 Ga. |
| 27 | 817 49 05-28 | ScrewHexwshThd5/16-18x1-3/4 | 205 | 532 12 17-48 | Washer 25/32 x 1-5/8 x 16 Ga. |
| 29 | 532 44 27-95 | Rod, Brake | 206 | 532 44 85-96 | Bracket Mount Latch Cruise |
| 30 | 819 13 16-16 | Washer | 207 | 532 19 78-68 | Latch Control Cruise |
| 33 | 812 00 00-01 | Ring E | 208 | 532 19 78-69 | Gear Sector Control Cruise |
| 35 | 583 86 45-01 | Rod, Brake, Park | 209 | 532 19 95-92 | Rod Control Cruise |
| 37 | 532 18 89-67 | WasherHarden .793x1.063x060 | 210 | 532 40 09-80 | Rocker Asm. Pedal Control |
| 38 | 532 16 96-13 | Nyliner Bushing | 211 | 532 12 01-83 | Bearing Nylon |
| 42 | 532 12 48-74 | Cover, Foot Pedal | 213 | 532 40 31-19 | Knob Control Cruise |
| 49 | 872 11 06-14 | Bolt Rdhd 3/8-16 unc x 3/4 Gr. 5 | 214 | 532 42 12-63 | Pedal Forward |
| 50 | 532 19 43-27 | Idler Flat | 215 | 532 41 94-82 | Pedal Reverse |
| 51 | 873 90 06-00 | Lock Nut 3/8-16 | 221 | 532 40 31-87 | Retainer Spring Clip Handle |
| 52 | 532 19 43-26 | Idler V-Groove | 222 | 879 21 20-10 | Washer 21/32 x 1-1/4 10 Ga. |
| 56 | 532 44 27-81 | V-Belt, Drive | 226 | 532 40 15-64 | Bracket Strap Torque |
| 61 | 532 44 51-51 | Pulley Transaxle K46 | 227 | 817 49 05-12 | Screw |
| 64 | 532 19 78-65 | Shaft Asm. Pedal Brake Control | 279 | 532 44 42-83 | Link Shift |
| 73 | 874 49 05-44 | Bolt Flanged | 280 | 819 11 10-12 | Washer 11/32 x 5/8 x 12 Ga. |
| 90 | 532 44 36-05 | Keeper Belt Clutching | 309 | 532 16 55-81 | Plate Fstnr Cross Shf |
| 92 | 874 76 05-20 | Bolt Fin Hex 5/16-18 unc x 1.25 | 311 | 532 16 98-45 | Washer Nylon |
| 99 | 532 44 39-47 | Rod Spring Bypass | 312 | 532 16 56-14 | Hub Tapered |
| 103 | 873 35 05-00 | Nut Hex Jam 5/16-18 | 313 | 874 78 04-16 | Bolt Hex Fin 1/4-20 unc x 1 Gd5 |
| 116 | 873 90 05-00 | Nut Lock Hex Flange 5/16-18 | 314 | 532 44 47-13 | Keeper Belt |
| 125 | 817 00 05-12 | Screw 5/16-18 x 3/4 | 315 | 817 58 05-20 | Screw Thdrol 5/16-18 x 4.25 |
| 140 | 810 04 04-00 | Washer Lock Hvy Helical 1/4 | 335 | 532 19 95-34 | Pulley V-Idler |
| 143 | 817 49 05-08 | Screw 5/16-18 x 1/2 | 339 | 532 43 68-67 | Strap Torque K46 CRD Tex |
| 159 | 876 02 04-12 | Pin Cotter 1/8 x 3/4 | 342 | 532 18 26-82 | Keeper Belt 2.5" STL V-Idlr CRD |
| 160 | 532 16 94-84 | Retainer Clip | 351 | 532 43 69-98 | Bracket 97 CRD Deck Sway |
| 161 | 532 10 57-09 | Spring, Return, Clutch | 352 | 532 43 56-45 | Bracket Idler CRD Tex |
| 163 | 532 44 27-93 | Rod Control | 355 | 532 43 56-69 | Bracket |
| 166 | 532 42 91-64 | Nut Push | 359 | 817 49 06-10 | Screw Thdrol 3/8-16 x 5/8 |
| 167 | 532 40 52-57 | Latch Brake Parking | 360 | 532 44 47-14 | Nut 5/16-24 UNF |
| 175 | 532 42 93-59 | Shaft Asm Crossshift Rear Crd | 362 | 532 43 68-12 | Idler Flat |
| 183 | 532 13 70-57 | Spacer Axle | 363 | 532 44 27-80 | Spacer 343 x 63 x .62 |
| 184 | 532 44 14-55 | Handle Parking Brake | 364 | 532 44 30-32 | Bracket Idler CRD Tex |
| 185 | 872 11 06-22 | Bolt 3/8-16 unc x 2-3/4 G5 | | | |
| 186 | 532 19 43-21 | Spacer Retainer | | | |
| 188 | 532 19 43-23 | Link Clutch | | | |

NOTE: All component dimensions given in U.S. inches
1 inch = 25.4 mm

TRACTOR - MODEL NO. CTH 184T (96051007600), PRODUCT NO. 96051 00-76
ENGINE **24**



SPARK ARRESTER KIT

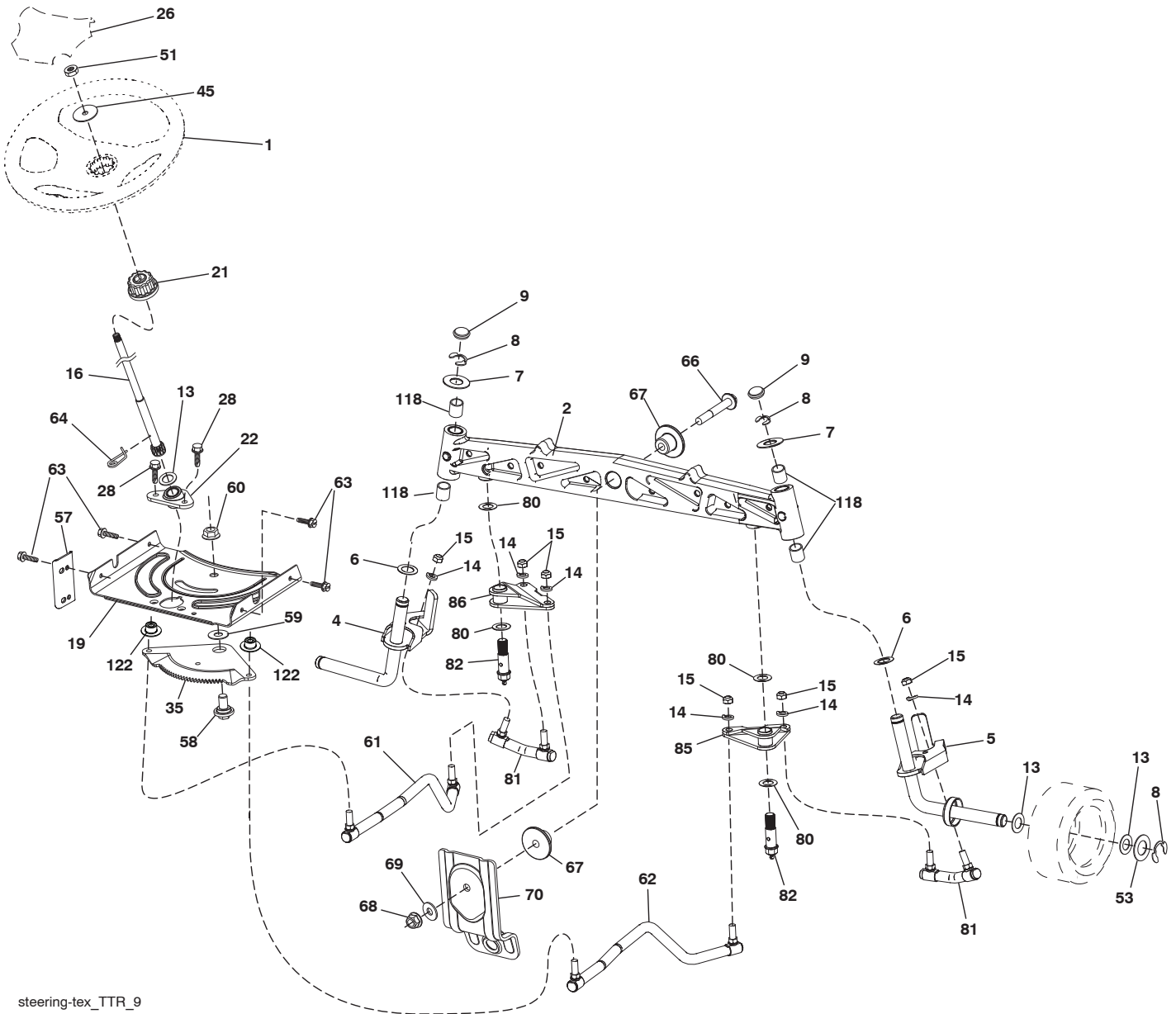
engine-tex_Kawa-2cyl_34

**TRACTOR - MODEL NO. CTH 184T (96051007600), PRODUCT NO. 960 51 00-76
ENGINE 24**

| KEY NO. | PART NO. | DESCRIPTION |
|----------------|-----------------|---|
| 1 | ----- | Engine Kawasaki Model No. FS541V-CS51 (445366) (Order parts from engine manufacturer.) |
| 2 | 532 44 59-62 | Muffler |
| 9 | 532 19 43-20 | Keeper Belt Engine |
| 11 | 587 24 16-01 | Clutch Electric |
| 12 | 532 40 50-97 | Pulley Engine |
| 15 | 532 43 58-16 | Tank Fuel |
| 18 | 532 44 14-62 | Fuel Cap |
| 20 | 532 41 21-65 | Control Throttle |
| 21 | 532 41 63-58 | Screw # 10 x 0.750 |
| 22 | 532 18 95-41 | Control Choke |
| 28 | 532 13 70-40 | Fuel Line |
| 29 | 532 13 71-80 | Spark Arrester Kit |
| 37 | 532 12 34-87 | Clamp Hose |
| 41 | 532 12 61-97 | Washer 1-1/2 OD x 15/32 ID x .250 |
| 42 | 810 04 07-00 | Washer Lock 7/16 |
| 45 | 873 51 04-00 | Nut Keps Hex 1/4-20 unc |
| 62 | 532 43 40-17 | Shield Heat Muffler |
| 69 | 532 17 81-51 | Gasket |
| 70 | 532 42 47-65 | Tube Exhaust LH |
| 71 | 532 42 47-66 | Tube Exhaust RH |
| 81 | 532 14 84-56 | Tube Drain Oil Easy |
| 85 | 532 17 99-53 | Bolt 7/16-20 x 3.75 Gr. |
| 86 | 532 18 43-62 | Nut Hex Flange Toplock M8-1.25 |
| 87 | 532 17 18-77 | Bolt 5/16-18 unc x 3/4 w/Sems |
| 90 | 817 00 06-16 | Screw 3/8-16 x 1 |
| 92 | 817 12 06-16 | Screw 3/8-16 x 1 |
| 96 | 819 09 14-16 | Washer 9/32 x 7/8 x 16 Ga. |
| 97 | 817 67 04-12 | Screw 1/4-20 x 3/4 |
| 137 | 532 44 14-61 | Spill Cup |

NOTE: All component dimensions given in U.S. inches
1 inch = 25.4 mm

TRACTOR - MODEL NO. CTH 184T (96051007600), PRODUCT NO. 96051 00-76
STEERING ASSEMBLY 41



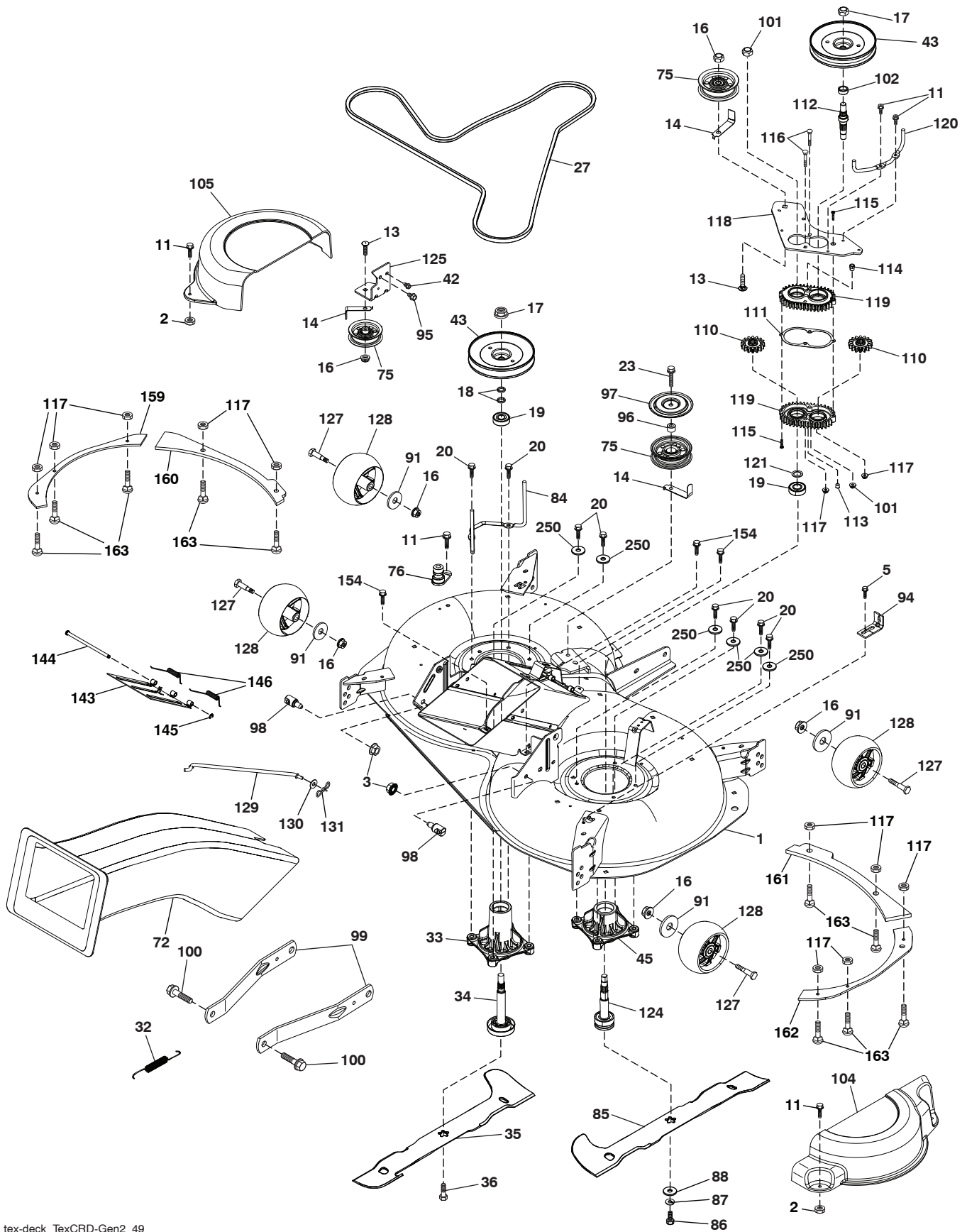
steering-tex_TTR_9

TRACTOR - MODEL NO. CTH 184T (96051007600), PRODUCT NO. 960 51 00-76
STEERING ASSEMBLY 41

| KEY NO. | PART NO. | DESCRIPTION |
|----------------|-----------------|-------------------------------------|
| 1 | 532 43 97-40 | Wheel, Steering |
| 2 | 532 43 68-70 | Axle Asm., Front |
| 4 | 532 43 68-73 | Spindle Asm., LH |
| 5 | 532 43 68-74 | Spindle Asm., RH |
| 6 | 532 12 49-31 | Washer Thrust 0.75 x 1.23 |
| 7 | 532 12 17-48 | Washer 25/32 x 1-5/8 x 16 Ga. |
| 8 | 812 00 00-29 | Ring, Klip #T5304-75 |
| 9 | 532 12 12-32 | Cap, Spindle |
| 13 | 532 12 17-49 | Washer 25/32 x 1-1/4 x 16 Ga. |
| 14 | 810 04 06-00 | Washer, Lock 3/8 |
| 15 | 873 54 06-00 | Nut, Crown Lock 3/8-24 unf |
| 16 | 532 44 42-12 | Shaft Steering |
| 19 | 532 19 47-29 | Plate Steering |
| 21 | 532 43 77-47 | Adapter, Wheel Steering |
| 22 | 532 19 48-45 | Bushing, Strg. Blk |
| 26 | 532 43 97-43 | Insert, Wheel Steering |
| 28 | 817 00 06-12 | Screw 3/8-16 x 3/4 |
| 35 | 532 44 07-70 | Gear, Sector Plate |
| 45 | 819 18 38-12 | Washer 9/16 ID x 2-3/8 OD x 12 Ga. |
| 51 | 873 94 08-00 | Nut Hex Jam Toplock 1/2-20 UNF |
| 53 | 532 18 89-67 | Washer Hardened .793 x 1.637 x .060 |
| 57 | 532 40 74-65 | Bracket Upstop |
| 58 | 532 19 47-47 | Bolt Shoulder Sector Pivot CFM |
| 59 | 532 19 47-48 | Washer Thrust Sector Steering |
| 60 | 873 97 10-00 | Nut Flange Lock 5/8-11 |
| 61 | 532 43 68-84 | Draglink, LH |
| 62 | 532 43 68-85 | Draglink, RH |
| 63 | 817 00 05-12 | Screw 5/16-18 x 3/4 |
| 64 | 532 19 98-49 | Retainer Clip Spring Steering |
| 66 | 871 02 07-48 | Bolt Hex Fghd 7/16-14 x 3 Serr |
| 67 | 532 19 47-37 | Bushing PM Front Axle |
| 68 | 873 90 07-00 | Nut Lock Flange 7/16-14 Gr. 5 |
| 69 | 532 19 91-62 | Washer 1.5 x .505 x .118 |
| 70 | 532 19 61-97 | Bracket Deck Susp. Front |
| 80 | 532 00 13-70 | Washer |
| 81 | 532 43 68-87 | Link Cross RH |
| 82 | 532 43 68-77 | Pivot Bolt |
| 85 | 532 44 18-73 | Pivot RH |
| 86 | 532 44 18-72 | Pivot LH |
| 118 | 532 40 60-13 | Bushing Axle |
| 122 | 532 44 49-62 | Cap Gear Sector |

NOTE: All component dimensions given in U.S. inches
1 inch = 25.4 mm

TRACTOR - MODEL NO. CTH 184T (96051007600), PRODUCT NO. 96051 00-76
MOWER DECK 44



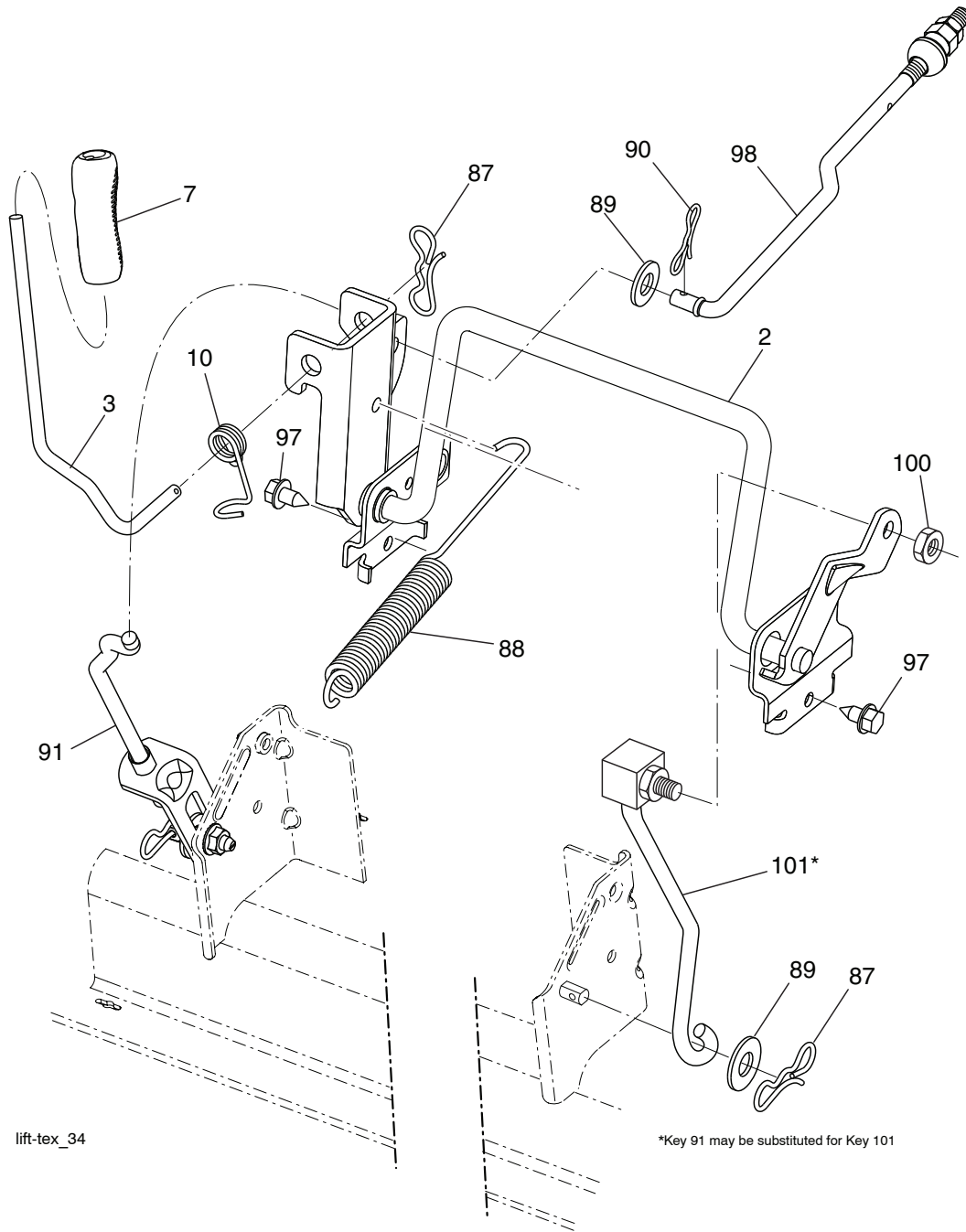
tex-deck_TexCRD-Gen2_49

TRACTOR - MODEL NO. CTH 184T (96051007600), PRODUCT NO. 960 51 00-76
MOWER DECK 44

| KEY NO. | PART NO. | DESCRIPTION | KEY NO. | PART NO. | DESCRIPTION |
|---------|--------------|-------------------------------------|---------|--------------|--|
| 1 | 580 97 33-01 | Deck Weldment | 113 | 532 43 85-33 | Plug Oil |
| 2 | 532 42 30-62 | Palnut 1/4 | 114 | 532 43 85-34 | Valve Relief |
| 3 | 873 90 05-00 | Nut Lock Hex Flange 5/16 - 18 | 115 | 818 03 10-16 | Screw Torx #10-24 x 1 |
| 5 | 817 00 05-10 | Bolt 5/16-18 | 116 | 872 11 04-14 | Bolt 1/4-20 x 1.75 Gr. 5 |
| 11 | 532 13 77-29 | Screw Thd Roll 1/4 - 20 X 5/8 | 117 | 873 90 04-00 | Nut Hex Flange 1/4-20 unc |
| 13 | 872 11 06-12 | Bolt Carr Sh 3/8 - 16 X 1-1/2 Gr. 5 | 118 | 532 44 32-32 | Arm Clutching |
| 14 | 532 15 60-85 | Keeper Belt Idler | 119 | 532 43 81-66 | Gearcase Subasm |
| 16 | 873 90 06-00 | Nut Lock FIG 3/8 - 16 unc | 120 | 532 44 32-36 | Keeper Belt RH |
| 17 | 532 40 02-34 | Nut Flange Lock Top | 121 | 532 43 69-85 | Washer |
| 18 | 532 18 76-90 | Washer Spacer Mandrel | 124 | 581 65 07-01 | Non Greasable Mandrel Shaft |
| 19 | 532 11 04-85 | Bearing Ball Mandrel | 125 | 532 44 04-20 | Bracket Idler Chassis |
| 20 | 532 17 39-84 | Screw Thread Roll | 127 | 532 19 34-06 | Bolt Shoulder 3/8-16 x 3-5/8 Gr. 5 |
| 23 | 817 49 06-28 | Screw Thdrol 3/8 - 16 X 1-3/4 | 128 | 532 17 48-73 | Wheel Gauge |
| 27 | 532 44 58-86 | V-Belt Drive | 129 | 532 44 32-37 | Rod Anti-Sway |
| 32 | 532 44 62-05 | Spring Drive | 130 | 819 13 13-12 | Washer 13/32 x 13/16 x 12 Ga. |
| 33 | 580 79 61-01 | Mandrel Asm. Tall | 131 | 532 19 42-08 | Pin Cotter 5/16 Bow Tie Lock |
| 34 | 580 85 47-01 | Shaft Asm Mndrl N/Greaseable38 | 143 | 532 43 81-97 | Door Mulch |
| 35 | 581 51 79-01 | Blade Mower LH | 144 | 532 43 58-61 | Pin Hinge |
| 36 | 532 19 30-03 | Bolt/Washer Asm 7/16 - 20 unf | 145 | 532 43 79-88 | E-Ring 5/16" |
| 42 | 817 00 05-12 | Screw 5/16-18 x 3/4 | 146 | 532 44 58-96 | Spring |
| 43 | 532 44 32-39 | Pulley Mandrel | 154 | 532 19 98-55 | Screw Thd Roll 1/4-20 x 1/2 |
| 45 | 581 65 08-01 | Mandrel Asm. Short | 159 | 581 48 72-02 | Plate 107 CRD LH Side |
| 72 | 581 45 41-01 | Chute Upper | 160 | 581 48 71-02 | Plate 107 CRD LH Front |
| 75 | 532 13 14-94 | Pulley Idler Flat | 161 | 581 48 73-02 | Plate 107 CRD RH Front |
| 76 | 532 41 55-98 | Washout Port | 162 | 581 48 74-02 | Plate 107 CRD RH Side |
| 84 | 532 44 32-35 | Keeper Belt LH Mandrel | 163 | 872 11 04-06 | Bolt |
| 85 | 581 51 80-01 | Blade Mower RH | 250 | 819 11 12-12 | Washer 11/32 x 3/4 x 12 Ga. |
| 86 | 532 18 17-13 | Bolt 3/8-24 x 1.50 Gr. 8 | -- | 580 85 60-01 | Mandrel Assembly Tall (Includes Housing (key # 33), Shaft Assembly (key # 34), And Bearing Only (key # 19) - Pulley/Nut/Washer And Blade Bolt/Washers Not Included.) |
| 87 | 810 03 06-00 | Washer Lock Hvy. 3/8 | | | |
| 88 | 532 14 02-96 | Washer Hard | | | |
| 91 | 819 13 20-12 | Washer 13/32 x 1-1/4 x 12 Ga. | | | |
| 94 | 532 19 72-50 | Bracket Clutch Cable | | | |
| 95 | 817 00 06-12 | Screw 3/8-16 x 3/4 | | | |
| 96 | 532 40 02-71 | Spacer | -- | 581 65 05-01 | Mandrel Assembly Short (Includes Housing (key # 45), Shaft Assembly (key # 124), And Bearing Only (key # 19) - Pulley/Nut/Washer And Blade Bolt/Washers Not Included.) |
| 97 | 532 18 20-61 | Shield Idler Mower | | | |
| 98 | 532 19 51-61 | Stud Fastener | | | |
| 99 | 532 19 51-86 | Arm Suspension Mower Rear | | | |
| 100 | 532 19 65-39 | Bolt Shoulder | | | |
| 101 | 873 68 09-00 | Nut Crownlock 9/16 - 18 unc | | | |
| 102 | 532 40 25-11 | Spacer Bearing Swing Plate | -- | 581 92 84-02 | Replacement Mower Complete |
| 104 | 532 44 69-25 | Mandrel Cover RH | | | |
| 105 | 532 44 69-26 | Mandrel Cover LH | | | |
| 110 | 532 41 53-56 | Gear Output | | | |
| 111 | 532 43 69-79 | Gasket Gearcase | | | |
| 112 | 532 44 38-52 | Shaft Gearcase Adapter | | | |

NOTE: All component dimensions given in U.S. inches
1 inch = 25.4 mm

TRACTOR - MODEL NO. CTH 184T (96051007600), PRODUCT NO. 96051 00-76
MOWER LIFT 45

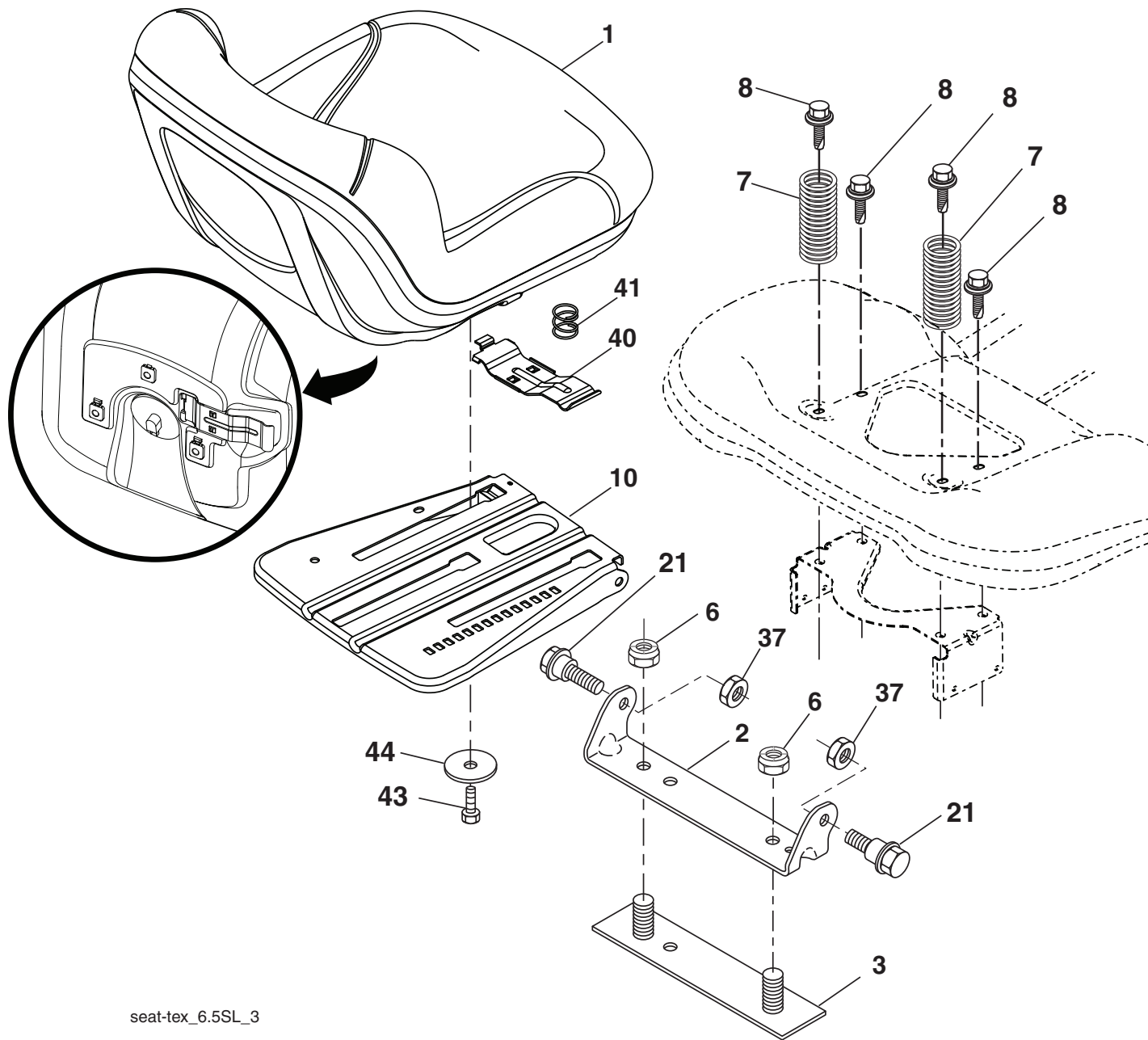


| KEY NO. | PART NO. | DESCRIPTION |
|---------|--------------|------------------------------|
| 2 | 532 43 69-96 | Deck Lift Weldment |
| 3 | 532 19 52-31 | Lever Asm., Lift RH |
| 7 | 580 96 23-01 | Grip, Lever |
| 10 | 532 19 63-14 | Spring Torsion |
| 87 | 532 19 42-09 | Pin Cotter 7/16 Bow Tie Lock |
| 88 | 532 44 54-96 | Spring Lift Assist |
| 89 | 819 19 19-12 | Washer Clear Zinc |
| 90 | 532 19 42-08 | Pin Cotter 5/16 Bow Tie Lock |

| KEY NO. | PART NO. | DESCRIPTION |
|---------|--------------|-----------------------------|
| 91 | 532 19 51-81 | Link Lift Susp Mower Rear |
| 97 | 817 49 06-08 | Screw 3/8-16 x 1/2 |
| 98 | 532 19 52-70 | Link Lift Susp. Front Mower |
| 100 | 873 93 06-00 | Nut Center Lock 3/8-16 unc |
| 101 | 532 40 70-03 | Link Asm Lift Fixed |

NOTE: All component dimensions given in U.S. inches
 1 inch = 25.4 mm

**TRACTOR - MODEL NO. CTH 184T (96051007600), PRODUCT NO. 960 51 00-76
SEAT ASSEMBLY 42**



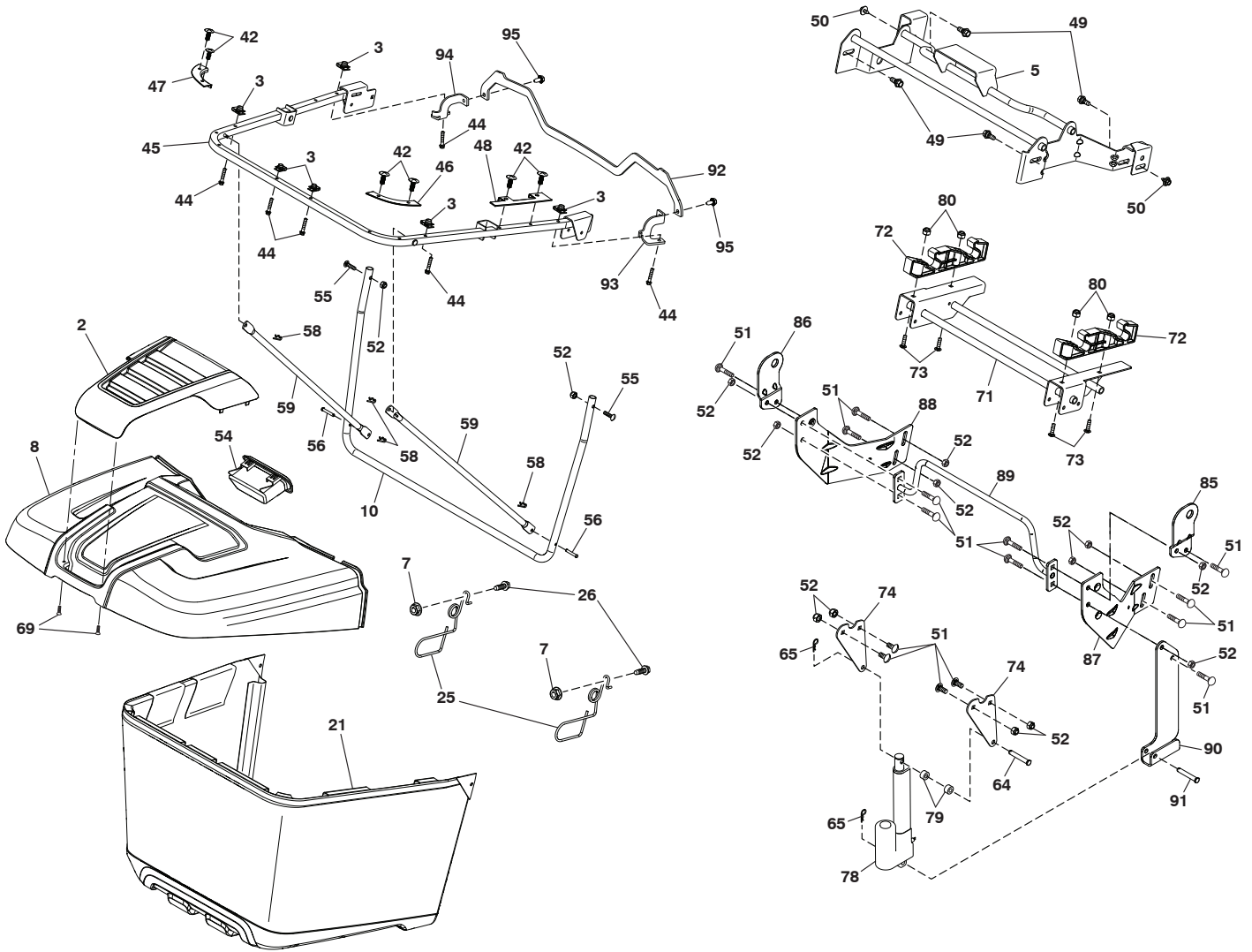
seat-tex_6.5SL_3

| KEY NO. | PART NO. | DESCRIPTION |
|---------|--------------|-------------------------------|
| 1 | 532 43 98-22 | Seat |
| 2 | 532 18 01-66 | Bracket Pivot Fender |
| 3 | 532 14 06-75 | Strap, Asm Fender |
| 6 | 873 80 06-00 | Nut, Lock w/Ins. 3/8-16 unc |
| 7 | 532 12 41-81 | Spring, Seat Cprsn |
| 8 | 532 17 18-77 | Bolt 5/16-18 unc x 3/4 w/Sems |
| 10 | 532 19 69-77 | Pan, Seat |
| 21 | 532 17 18-52 | Bolt, Shoulder 5/16-18 |

| KEY NO. | PART NO. | DESCRIPTION |
|---------|--------------|-------------------------------|
| 37 | 873 80 05-00 | Nut, Lock 5/16-18 unc |
| 40 | 532 19 76-61 | Handle Slide Seat |
| 41 | 532 19 82-00 | Spring Latch Seat |
| 43 | 874 76 06-12 | Bolt Fin Hex 3/8-16 unc x 3/4 |
| 44 | 819 13 38-12 | Washer 13/32 x 2-3/8 x 12 Ga. |

NOTE: All component dimensions given in U.S. inches
1 inch = 25.4 mm

TRACTOR - MODEL NO. CTH 184T (96051007600), PRODUCT NO. 96051 00-76
BAGGER **46**



ElecBagger_TexCRD-Gen2_7

**TRACTOR - MODEL NO. CTH 184T (96051007600), PRODUCT NO. 960 51 00-76
BAGGER 46**

| KEY NO. | PART NO. | DESCRIPTION |
|---------|--------------|-------------------------------------|
| 2 | 532 44 75-72 | Applique |
| 3 | 532 17 48-14 | Clip |
| 5 | 532 44 52-48 | Bagger Cross Tube |
| 7 | 873 90 04-00 | Nut Hex Flange 1/4-20 unc |
| 8 | 580 43 68-01 | Bagger Top |
| 10 | 532 44 37-55 | Frame Front |
| 21 | 532 44 59-43 | Bag Assembly |
| 25 | 532 44 55-28 | Spring Latch Bagger |
| 26 | 817 49 04-12 | Screw Hex Thdrol 1/4-20 x 3/4 |
| 42 | 532 44 04-28 | Clip |
| 44 | 532 19 96-87 | Bolt 1/4-20 |
| 45 | 532 44 37-54 | Upper Frame |
| 46 | 532 44 55-41 | Bag Corner Close Out RH |
| 47 | 532 44 40-79 | Bag Corner Close Out LH |
| 48 | 532 44 40-80 | Top Bagger Side Close Out |
| 49 | 532 17 18-73 | Bolt Shoulder 5/16-18 |
| 50 | 532 17 18-77 | Bolt 5/16-18 x 3/4 W/Sems |
| 51 | 872 11 05-06 | Bolt 5/16 x 18 x 3/4 |
| 52 | 873 80 05-00 | Nut Lock Hex W/Ins 5/16-18 unc |
| 54 | 532 44 72-18 | Bagger Top Front Handle |
| 55 | 872 14 05-12 | Bolt 5/16-18 x 1-1/2 |
| 56 | 532 42 03-06 | Pin Clevis .183 x 1.26 |
| 58 | 532 08 51-79 | Clip Retainer |
| 59 | 532 44 47-63 | Bagger Sprd Tube |
| 64 | 532 43 04-22 | Pin Clevis .375 x 2.375 |
| 65 | 532 12 47-88 | Retainer Spring 1" |
| 69 | 532 42 18-01 | Screw #8 Flat Head Drill |
| 71 | 532 44 52-38 | Bagger Support Pivot |
| 72 | 532 44 52-36 | Bagger Catch Bracket |
| 73 | 872 11 05-10 | Bolt Carriage 5/16-18 X 1-1/4 Gr. 5 |
| 74 | 532 44 52-43 | Upper Clevis Bracket |
| 78 | 532 44 52-57 | Actuator Elec Dump |
| 79 | 532 44 73-68 | Spacer .375 x .75 x .4375 |
| 80 | 873 90 05-00 | Nut Lock Hex Flange 5/16-18 |
| 85 | 581 31 41-02 | Bracket RH Pivot |
| 86 | 581 31 40-02 | Bracket LH Pivot |
| 87 | 581 31 48-02 | Bracket RH |
| 88 | 581 31 47-02 | Bracket LH |
| 89 | 581 31 51-02 | Weldment Offset |
| 90 | 581 31 42-02 | Bracket Ele. Dump |
| 91 | 532 44 86-34 | Clevis |
| 92 | 586 05 23-02 | Bracket Top Support |
| 93 | 586 05 24-02 | Bracket Support RH |
| 94 | 586 05 25-02 | Bracket Support LH |
| 95 | 817 00 05-12 | Screw 5/16-18 x 3/4 |

NOTE: All component dimensions given in U.S. inches
1 inch = 25.4 mm

