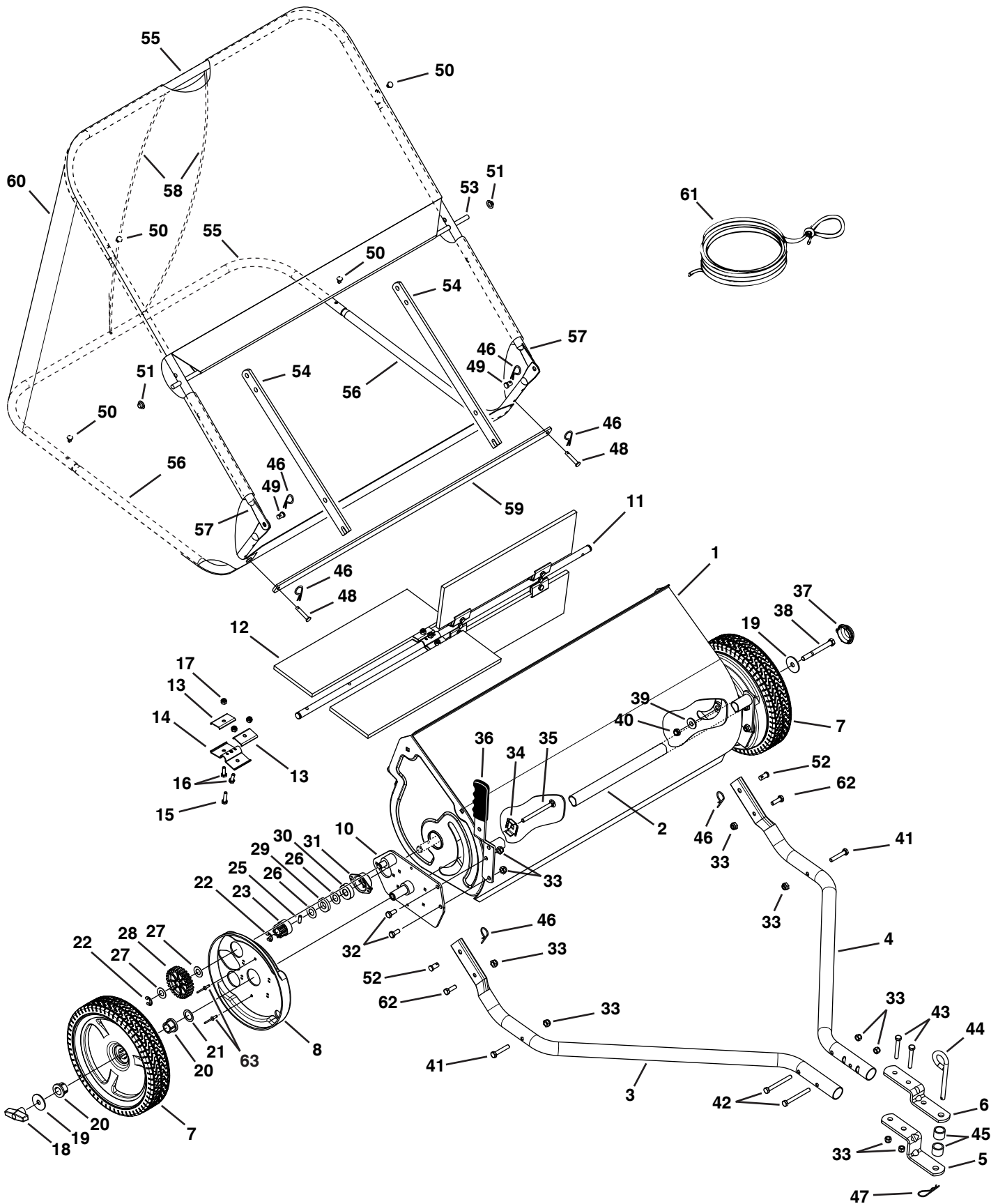


PARTS

REPAIR PARTS FOR MODEL 581 53 80-01 32" HIGH PERFORMANCE LAWSWEEPER



REPAIR PARTS FOR MODEL 581 53 80-01 32" HIGH PERFORMANCE LAWSWEEPER

ITEM	PART NO.	QTY	DESCRIPTION	ITEM	PART NO.	QTY	DESCRIPTION
1	581 83 16-01	1	Housing Assembly	33	501 02 11-01	12	Nut, Nylock 5/16-18 Thread
2	581 83 17-01	1	Height Adjustment Tube Ass'y.	34	581 73 73-01	1	Retainer, Carriage Bolt
3	531 00 74-09	1	Hitch Tube, R.H.	35	581 73 74-01	1	Bolt, Carriage 5/16-18 x 3-1/2"
4	531 00 74-11	1	Hitch Tube, L.H.	36	506 62 64-01	1	Grip, Height Adjust
5	506 62 12-01	1	Bracket, Hitch (Tall)	37	581 73 75-01	1	Hub Cap
6	531 00 27-72	1	Bracket, Hitch	38	506 62 33-01	1	Bolt, Hex 3/8-24 x 3-1/2" Lg.
7	581 73 65-01	2	Wheel & Tire Ass'y. (with bearings)	39	581 73 76-01	1	Spacer, Step
8	581 73 66-01	2	Dust Cover	40	522 76 09-01	1	Nut, Nylock 3/8-24 Thread
9	581 73 67-01	1	Wheel Drive Assembly, L.H. (Not Shown)	41	531 00 28-38	2	Bolt, Hex 5/16-18 x 1-3/4" Lg.
10	581 73 68-01	1	Wheel Drive Assembly, R.H.	42	531 00 28-34	2	Bolt, Hex 5/16-18 x 3" Lg.
11	581 83 18-01	1	Brush Shaft	43	531 00 28-35	2	Bolt, Hex 5/16-18 x 2-1/4" Lg.
12	531 00 74-20	4	Brush, 42"	44	506 62 56-01	1	Pin, Hitch
13	506 62 07-01	8	Retainer, Brush (Single)	45	506 62 65-01	2	Tube, Hitch Spacer
14	506 62 06-01	4	Retainer, Brush (Double)	46	531 00 28-43	6	Hairpin Cotter, 3/32" #3
15	531 00 76-26	4	Bolt, Hex 1/4-20 x 1" Lg.	47	580 74 44-01	1	Hairpin Cotter, 1/8" #4
16	522 75 93-01	8	Bolt, Hex 1/4-20 x 3/4" Lg.	48	531 00 76-84	2	Pin, Clevis 1/4" x 1-1/8"
17	504 06 60-01	12	Nut, Nylock 1/4-20 Thread	49	531 00 76-85	2	Pin, Clevis 3/8" x 1/2"
18	506 62 60-01	1	Wing Knob	50	531 00 76-83	4	Plug, 1/4"
19	522 76 08-01	2	Washer, .378 x 1.25 x .061	51	531 00 28-40	2	Palnut, 3/8"
20	531 00 27-40	4	Wheel Bearing	52	531 00 46-38	2	Pin, Clevis 3/8" x 3/4"
21	531 00 27-41	2	Washer, 1-1/8" x .78" x .025"	53	531 00 74-24	1	Pivot Rod, Hopper Bag
22	522 65 70-01	4	Ring, Retaining (E-type)	54	531 00 74-23	2	Bag Arm
23	580 74 14-01	1	Gear, Pinion R.H.	55	522 59 24-01	2	Tube, Rear Hopper
24	580 74 15-01	1	Gear, Pinion L.H. (not shown)	56	522 59 21-01	2	Tube, Lower Hopper
25	531 00 76-50	2	Dowel Pin (Drive)	57	522 59 22-01	2	Tube, Upper Hopper
26	577 15 86-01	4	Washer, .656 x 1.25 x .025	58	506 62 44-01	2	Hopper Support Rod
27	506 62 36-01	4	Washer, 1/2" x 1" x .02"	59	531 00 76-14	1	Strap, Bag Frame
28	581 73 70-01	2	Idler Gear, 27 T.	60	531 00 76-68	1	Hopper Bag
29	581 73 71-01	2	Spacer, .660 ID x .250 OD x .25	61	531 00 27-34	1	Hopper Rope
30	531 00 28-17	2	Ball Bearing	62	531 00 74-26	2	Bolt, Hex 5/16-18 x 1"
31	581 73 72-01	2	Bearing Retainer	63	522 75 61-01	4	Pop Rivet
32	522 75 99-01	4	Bolt, Hex 5/16-18 x 3/4" Lg.		42521	1	Owners Manual