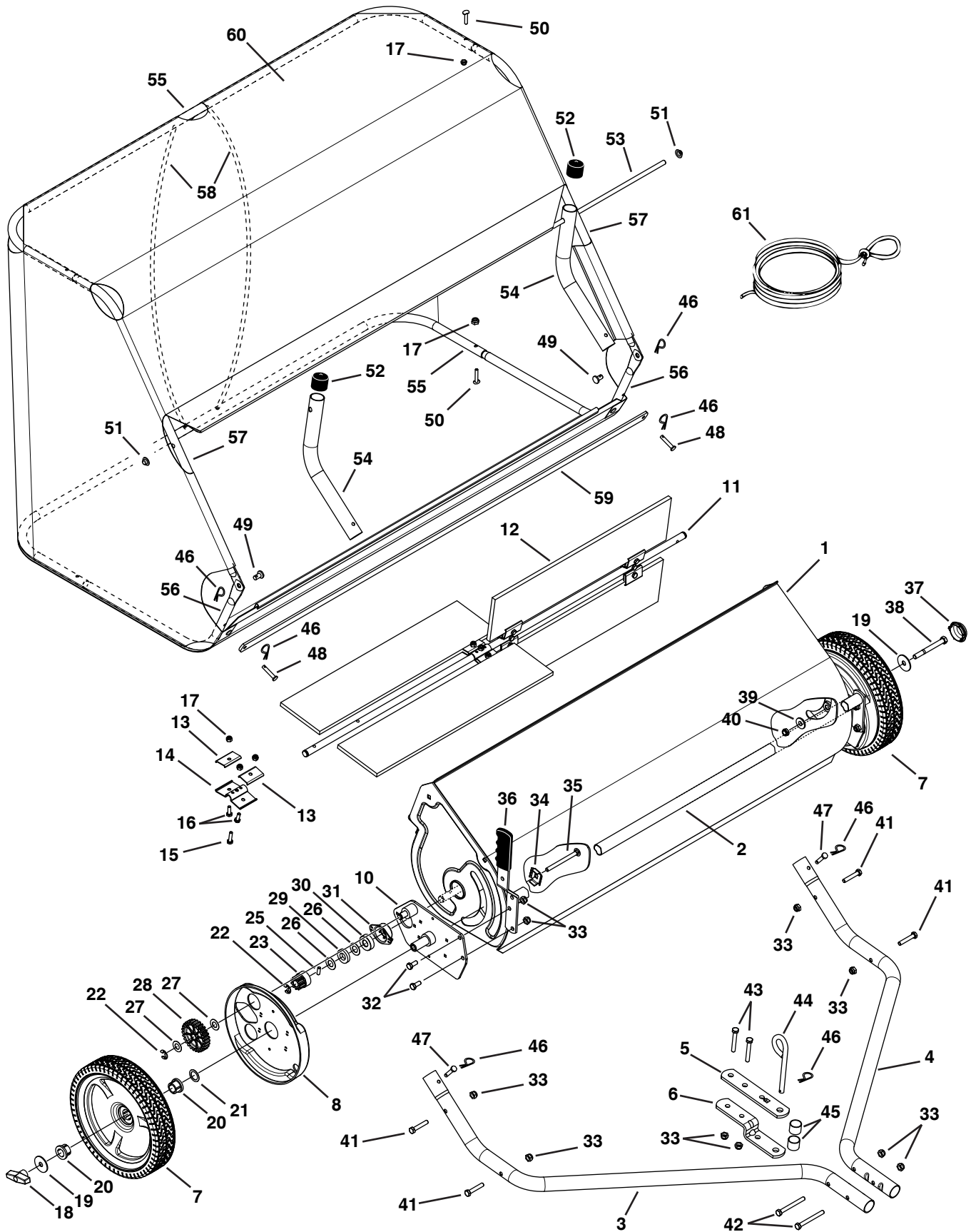


581 53 81-01



581 53 81-01

REF	PART NO.	QTY	DESCRIPTION	REF	PART NO.	QTY	DESCRIPTION
1	581 73 64-01	1	Housing Assembly	32	522 75 99-01	4	Bolt, Hex 5/16-18 x 3/4" Lg.
2	577 73 09-01	1	Height Adjustment Tube Assy.	33	501 02 11-01	12	Nut, Nylock 5/16-18 Thread
3	522 75 55-01	1	Hitch Tube, R.H.	34	581 73 73-01	1	Retainer, Carriage Bolt
4	522 75 56-01	1	Hitch Tube, L.H.	35	581 73 74-01	1	Bolt, Carriage 5/16-18 x 3-1/2"
5	522 76 34-01	1	Bracket, Hitch (Straight)	36	506 62 64-01	1	Grip, Height Adjust
6	531 00 27-72	1	Bracket, Hitch	37	581 73 75-01	1	Hub Cap
7	581 73 65-01	2	Wheel & Tire Assy. (with bearings)	38	506 62 33-01	1	Bolt, Hex 3/8-24 x 3-1/2" Lg.
8	581 73 66-01	2	Dust Cover	39	581 73 76-01	1	Spacer, Step
9	581 73 67-01	1	Wheel Drive Assy. LH (Not Shown)	40	522 76 09-01	1	Nut, Nylock 3/8-24 Thread
10	581 73 68-01	1	Wheel Drive Assy. RH	41	531 00 28-38	4	Bolt, Hex 5/16-18 x 1-3/4" Lg.
11	581 73 69-01	1	Brush Shaft	42	531 00 28-34	2	Bolt, Hex 5/16-18 x 3" Lg.
12	531 00 28-19	4	Brush, 42"	43	531 00 28-35	2	Bolt, Hex 5/16-18 x 2-1/4" Lg.
13	506 62 07-01	8	Retainer, Brush (Single)	44	506 62 56-01	1	Pin, Hitch
14	506 62 06-01	4	Retainer, Brush (Double)	45	581 73 77-01	2	Tube, Hitch Spacer
15	531 00 76-26	4	Bolt, Hex 1/4-20 x 1" Lg.	46	531 00 28-43	7	Hairpin Cotter, 3/32" #3
16	522 75 93-01	8	Bolt, Hex 1/4-20 x 3/4" Lg.	47	580 74 28-01	2	Pin, Clevis 1/4" x 1-1/2" Lg.
17	504 06 60-01	16	Nut, Nylock 1/4-20 Thread	48	531 00 76-84	2	Pin, Clevis 1/4" x 1-1/8"
18	506 62 60-01	1	Wing Knob	49	531 00 76-85	2	Pin, Clevis 3/8" x 1/2"
19	522 76 08-01	2	Washer, .378 x 1.25 x .061	50	522 75 62-01	4	Curved Head Bolt, 1/4-20 x 1"
20	531 00 27-40	4	Wheel Bearing	51	531 00 28-40	2	Palnut, 3/8"
21	531 00 27-41	2	Washer, 1-1/8" x .78" x .025"	52	531 00 28-42	2	Cap, Vinyl
22	522 65 70-01	4	Ring, Retaining (E-type)	53	522 76 38-01	1	Pivot Rod, Hopper Bag
23	580 74 14-01	1	Gear, Pinion R.H.	54	522 76 36-01	2	Tube, Bag Arm
24	580 74 15-01	1	Gear, Pinion L.H. (not shown)	55	522 76 22-01	2	Tube, Rear Hopper Frame
25	531 00 76-50	2	Dowel Pin (Drive)	56	522 76 24-01	2	Tube, Lower Hopper Frame
26	577 15 86-01	4	Washer, .656 x 1.25 x .025	57	522 76 23-01	2	Tube, Upper Hopper Frame
27	506 62 36-01	4	Washer, 1/2" x 1" x .02"	58	506 62 44-01	2	Hopper Support Rod
28	581 73 70-01	2	Idler Gear, 27 T.	59	531 00 28-26	1	Strap, Bag Frame
29	581 73 71-01	2	Spacer, .660 ID x .250 OD x .25	60	522 76 26-01	1	Hopper Bag
30	531 00 28-17	2	Ball Bearing	61	531 00 27-34	1	Hopper Rope
31	581 73 72-01	2	Bearing Retainer		N/A	1	Owners Manual